

GRABER® | DELIGHT IN EVERY DETAIL



Graber Exterior Solar Shades English/US Price Guide

EXTERIOR SOLAR SHADES

Product Information Guide

Features

Summary	2
Fabric Styles and Information: Exterior Solar Shades	2-3
Light Gaps	3
Fabric Recommendations	3
Fabric Disclaimers	3
Large Window Sizing	3
Light Control and Privacy	3
Fabric Certifications	3

Size Considerations

Continuous-Loop Lift and Motorized Lift: Maximum Shade Size	4
How to Determine Maximum Shade Size	5
Planning for Installation of Exterior Shades	5
Depth Requirements for Inside Mount	6
Guide Cables	6
Motor Power Cable	6

Options

Summary	7
Reverse Roll	7
Continuous-Loop Lift	7
Curved Cassette Valance	7
Motorized Lift	8

General Information

Exterior Continuous-Loop Lift Product Detail	9
Exterior Motorized Lift Shade Product Detail	10

GRABER®

JUNE 2023

(06/23) 23-448900

Features

Exterior Solar Shades Expand Your Outdoor Living Space

- Maintain an outdoor view
 - Filter and diffuse light while maintaining an outward view
 - The higher the openness factor and the darker the fabric, the clearer the view
- Manage glare
 - Minimize glare on televisions and home office computers
 - The darker the fabric color, the better the glare control and visibility
- Block damaging UV rays
 - The amount of UV ray blockage is the inverse of a fabric's openness factor (i.e., a fabric with 10% openness blocks 90% of UV rays)
 - Protect furniture, carpets, artwork, etc. from fading due to harmful UV rays

- Temperature control
 - Exterior shades reduce solar heat gain before it enters the house, reducing air conditioning costs
 - Solar fabrics reduce heat transmittance, keeping rooms cooler and increasing the comfort level in your home
 - The lighter the fabric color, the better the temperature control

IMPORTANT: Shades must be raised fully during inclement weather and windy conditions. Raise shade in winds exceeding a moderate breeze (13–18 mph: small tree branches move, dust is picked up from the ground surface)

Fabric Styles and Information: Exterior Solar Shades

Style Name	Openness	UV Blockage	Fabric Composition	Useable Fabric Width (inches)	GREENGUARD Certified	Anti-Microbial	FR Rated	Can be Railroaded Turned 90° (width for height)	Can be Seamed	Color Number
Broadcast	1%	99%	25% polyester/ 75% vinyl on polyester	116	•	•	•	•	•	All
Chronicles	4%	96%	15% polyester/ 85% vinyl on polyester	96	•	•	•	•	•	All
Exposition	8%	92%	26% Polyester/ 74% Vinyl on Polyester	96	•	•	•	•	•	All
Guildhall	5%	95%	26% Polyester/ 74% Vinyl on Polyester	96	•	•	•	•	•	49305
Merit	4%	96%	15% polyester/ 85% vinyl on polyester	96	•	•	•	•	•	All
Monticello	7%	93%	23.8% polyester/ 76.2% vinyl on polyester	96	•	•	•	•	•	All
Pannier	10%	90%	85% PVC/15% Polyester	96	•	•	•	•	•	All
Plexus 1%	1%	99%	19% polyester/ 81% vinyl on polyester	116	•	•	•	•	•	47611, 47612
			25% Polyester/ 75% Vinyl on Polyester							47610, 47604, 47606, 47609, 47608, 47603, 47602, 47607
Plexus 3%	3%	97%	19% polyester/ 81% vinyl on polyester	116	•	•	•	•	•	47711, 47712
			25% Polyester/ 75% Vinyl on Polyester							47710, 47704, 47706, 47709, 47708, 47703, 47702, 47707
Plexus 5%	5%	95%	13% Polyester/ 87% Vinyl on Polyester	116	•	•	•	•	•	47812, 47811
			25% Polyester/ 75% Vinyl on Polyester							47810, 47804, 47806, 47809, 47808, 47803, 47802, 47807
Standard Weave 1%	1%	99%	21% polyester/ 79% vinyl on polyester	124	•	•	•	•	•	47905, 47907, 47908
			24% polyester/ 76% vinyl on polyester							47901, 47906
			25% polyester/ 75% vinyl on polyester							47903, 47904
Standard Weave 3%	3%	97%	18% polyester/ 82% vinyl on polyester	124	•	•	•	•	•	48203, 48204
			21% polyester/ 79% vinyl on polyester							48205, 48207, 48208
			24% polyester/ 76% vinyl on polyester							48201
Standard Weave 5%	5%	95%	16% polyester/ 84% vinyl on polyester	124	•	•	•	•	•	48303, 48304
			21% polyester/ 79% vinyl on polyester							48305, 48307, 48308
			24% polyester/ 76% vinyl on polyester							48301

Features

Fabric Styles and Information: Exterior Solar Shades

Style Name	Openness	UV Blockage	Fabric Composition	Useable Fabric Width (inches)	GREENGUARD Certified	Anti-Microbial	FR Rated	Can be Railroaded Turned 90° (width for height)	Can be Seamed	Color Number
Standard Weave 10%	10%	90%	16% polyester/ 84% vinyl on polyester	116	●	●	●	●	●	48403, 48404
			21% polyester/ 79% vinyl on polyester							48405, 48407, 48408
			24% polyester/ 76% vinyl on polyester							48401
Steel House	8%	92%	70% PVC/30% Polyester	96	●		●		All	
Vanguard 1%	1%	99%	21% polyester/ 79% vinyl on polyester	124	●	●	●	●	●	47912, 47914, 47918, 47917
			24% polyester/ 76% vinyl on polyester							47909, 47915, 47916
			25% polyester/ 75% vinyl on polyester							47910
Vanguard 3%	3%	97%	18% polyester/ 82% vinyl on polyester	124	●	●	●	●	●	48210
			21% polyester/ 79% vinyl on polyester							48212, 48214, 48217, 48218
			24% polyester/ 76% vinyl on polyester							48209, 48215, 48216
Vanguard 5%	5%	95%	16% polyester/ 84% vinyl on polyester	124	●	●	●	●	●	48310
			21% polyester/ 79% vinyl on polyester							48312, 48314, 48317, 48318
			24% polyester/ 76% vinyl on polyester							48309, 48315, 48316

Light Gaps

A light gap will be present on inside mounted shades. An outside mount with overlap is recommended to eliminate light gap.

Control Type	Light Gap Per Side (inches)
Continuous-Loop Lift No Cassette	$\frac{3}{16}$ to $\frac{13}{16}$
Continuous-Loop Lift with Cassette	$\frac{3}{16}$ to 1
Motorized Lift with Cassette	1 to $1\frac{1}{16}$

Fabric Recommendations

Please order all shades at the same time to ensure color consistency and minimize dye lot variation.

Fabric Disclaimers

Due to the nature of the weaving process, some imperfection in the weave is normal.

Roll direction cannot be reversed after a shade is ordered.

Fabric appearance can vary based on changing lighting conditions.

Fabrics turned width for height (referred to as railroaded) may curl along the edge. With extremely wide or railroaded shades, a V shape may appear in the center of the panel. This occurs due to the weight of the fabric. This is not a defect in the product.

Fabric Certifications

GREENGUARD Indoor Air Quality Certified® Fabrics: Many Graber® fabrics have been certified by GREENGUARD Environmental Institute (GEI) to be low chemical and particle emitting fabrics, providing a healthier indoor air quality. The process used for certification complies with established indoor air quality standards and is performed by a third party lab. Please see graberblinds.com for more information.

greenguard.org

GREENGUARD Indoor Air Quality Certified is a registered trademark of the GREENGUARD Environmental Institute.

June 2023

Large Window Sizing

Some fabrics can be turned 90° clockwise (width for height) to accommodate wider windows. In these cases some solar fabrics can be seamed for longer lengths. Fabrics turned width for height (referred to as railroaded) may curl along the edge. This is not a defect in the product.

Light Control and Privacy

Privacy: Solar shades do not offer nighttime privacy—lighted interiors allow inward visibility. If complete privacy is desired, consider adding an additional window treatment.



Size Considerations

Continuous-Loop Lift and Motorized Lift: Maximum Shade Size

Continuous-Loop Lift and Motorized Lift: Maximum Shade Size										
Valance Type	Normal Fabric Orientation				Fabric Turned Width for Height (Railroaded)					
	Continuous-Loop Lift Medium Cassette		Continuous-Loop Lift Large Cassette/ No Cassette/ No Valance		Continuous-Loop Lift Medium Cassette		Continuous-Loop Lift Large Cassette/ No Cassette/ No Valance at Max Length		Continuous-Loop Lift Large Cassette/ No Cassette/ No Valance at Max Width	
	Width	Height	Width	Height	Width	Height	Width	Height	Width	Height
Broadcast	76	118	116	144	76	118	121	144	121	144
Chronicles	96	118	96	144	NO RR	NO RR	NO RR	NO RR	NO RR	NO RR
Exposition	82	104	96	144	NO RR	NO RR	NO RR	NO RR	NO RR	NO RR
Guildhall	96	102	96	144	NO RR	NO RR	NO RR	NO RR	NO RR	NO RR
Merit	96	118	96	144	NO RR	NO RR	NO RR	NO RR	NO RR	NO RR
Monticello	80	108	96	144	83	86	114	83	144	80
Pannier	81	104	96	144	NO RR	NO RR	NO RR	NO RR	NO RR	NO RR
Plexus 1%	74	109	116	124	74	109	118	122	118	122
Plexus 3%	74	114	114	133	74	114	121	124	121	124
Plexus 5%	74	119	116	136	74	119	121	130	121	130
Standard Weave 1% (Calcite; Polished)	108	114	124	144	108	114	139	144	139	144
Standard Weave 1% (Veranda; Café Doppio; Chiseled)	106	121	124	144	106	121	136	144	136	144
Standard Weave 10% (Calcite; Polished)	110	134	116	144	110	134	144	144	144	144
Standard Weave 10% (Veranda; Café Doppio; Chiseled)	108	130	116	144	108	130	143	144	143	144
Standard Weave 3% (Calcite; Polished)	108	123	124	144	108	123	141	144	141	144
Standard Weave 3% (Veranda; Café Doppio; Chiseled)	107	122	124	144	107	122	139	144	139	144
Standard Weave 5% (Calcite; Polished)	110	123	124	144	110	123	142	144	142	144
Standard Weave 5% (Veranda; Café Doppio; Chiseled)	108	127	124	144	108	127	141	144	141	144
Steel House	82	121	96	144	NO RR	NO RR	NO RR	NO RR	NO RR	NO RR
Vanguard 1% (Authentic; Gentle Beige; Chrome;	108	114	124	144	108	114	139	144	139	144
Vanguard 1% (Elusive; Macedonia; Dew; Homage; Peloton)	106	121	124	144	106	121	136	144	136	144
Vanguard 3% (Authentic; Gentle Beige; Chrome; Pendulum)	108	123	124	144	108	123	141	144	141	144
Vanguard 3% (Elusive; Macedonia; Dew; Homage; Peloton)	107	122	124	144	107	122	139	144	139	144
Vanguard 5% (Authentic; Gentle Beige; Chrome; Pendulum)	110	123	124	144	110	123	142	144	142	144
Vanguard 5% (Elusive; Macedonia; Dew; Homage; Peloton)	108	127	124	144	108	127	141	144	141	144

"NO RR" signifies a fabric that cannot be rotated 90 degrees in order to add to the maximum width for a shade.

Due to continuous manufacturing improvements, minimums and maximums are subject to change. These tables provide approximate maximum size size available by fabric and cassette. Seams may be added to fabrics to accommodate long shade requirements. For shades longer than material width, seams will be visible when the shade is fully extended.

Size Considerations

How to Determine Maximum Shade Size

Follow these easy steps to determine approximate maximum size and valance size from the maximum shade size tables.

1. Determine your fabric style, shade size, and cassette (or no cassette for continuous-loop lift) requirement.
2. Find the fabric in the first column.
3. Determine if your shade size is within the normal fabric orientation size range.
4. Identify the appropriate size cassette (or no cassette for continuous-loop lift) for your shade size.
5. If your shade size is larger than either the maximum width or height range, your fabric may be able to be turned width for height for larger shades. Use the fabric turned width for height (railroaded) table.

EXAMPLE: Determine approximate maximum size and cassette for normal orientation shades. The example continuous-loop lift shade is 110" x 120" Vanguard 5% with cassette.

1. Find Vanguard 5% in the first column.
2. Follow the Vanguard 5% fabric row to the width and height sizes.
3. The maximum width and maximum height in normal fabric orientation available for this configuration is 117" x 144".
NOTE: Both width and height must be less than the maximum width and height segment to fit the normal shade orientation.
4. Follow this segment to the top of the table. This segment is within the large cassette size indicating this shade's smallest segment cassette size available is a large size cassette.

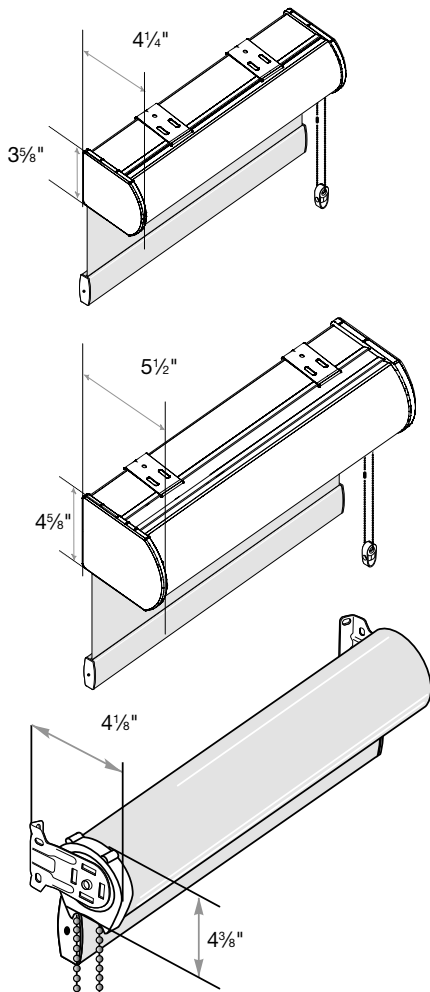
Planning for Installation of Exterior Shades

Use the following planning guidelines for your exterior shade:

1. Determine the location of the shade.
2. Motorized lift shade: Determine the exterior power location. Measure the distance from the planned shade location to the electrical outlet or jbox to order the motor power cable lead length (10 feet).
3. Determine the side of the shade (left or right) the bead chain for continuous-loop lift or the motor power cable for motorized lift should exit.
4. For top mounts, large cassette installation: ½" spacing is required between the window and the back of the bracket.
5. For wall mounts, large cassette installation: ¾" clearance is required above bracket.
6. Use a stud finder to locate solid area to mount installation brackets.
7. Installation of motorized lift shades may require two people.
8. Never install exterior shades in windy conditions.
9. A licensed electrician is required for all electrical connections. All local and NEC codes must be followed.
10. The installation screws provided are for mounting on wood. For mounting on materials other than wood, please consult a qualified professional.

Size Considerations

Depth Requirements for Inside Mount



- The following diagrams illustrate the mounting depth requirements for shades mounted inside window casements or deck/porch frames
- Motorized lift shades only available with large cassette
- Continuous-loop lift shades shown

Medium Cassette Valance

- 1 3/4" minimum inside mount (continuous-loop lift only)

Large Cassette Valance

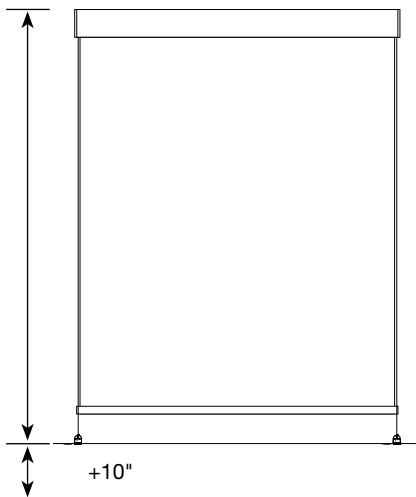
- 1 3/4" minimum inside mount

No Valance*

- 3/4" minimum needed to attach bracket for an inside/side mount
- 4 1/8" minimum for an inside/top mount

*Largest possible measurement given. This will vary with fabric and window dimensions.

Guide Cables (motorized lift shades only)



Use the following to determine the guide cable length that will be provided with your shade:

1. Add 10" to the shade height.
2. The next longest cable length will be supplied.
 - Included in motorized lift pricing
 - Stainless steel guide cable
 - Four lengths available: 54", 80", 144", and 186"
 - Stainless steel cable locks included
 - Cables will be at least 10" longer than ordered height; longer cable can be cut to length needed

EXAMPLE: Shade height is 95". Add 10" = 105". Shade will come with a guide cable at 144" Cable can be cut to required length at time of installation.

Motor Power Cable

1. Estimate the number of feet from the cassette valance motor power cable exit to the electrical junction box or GFCI (ground fault circuit interrupter) outlet.
2. Select 10 feet.

Options

Summary

Control Type Options

- Continuous-loop lift
- Motorized lift with guide cables

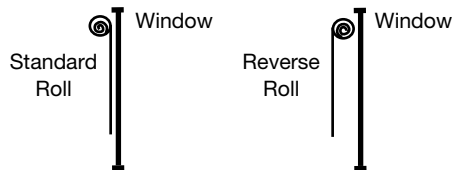
Shade Options—No Charge

- Chain location
- Turning fabric width for height to accommodate wider windows
- Longer chain length
- Reverse roll
- Cable locks—motorized lift
- Guide cables—motorized lift
- Hold downs—continuous-loop lift

Shade Options—Surcharge

- Cassette valance
- Motorization accessories

Reverse Roll

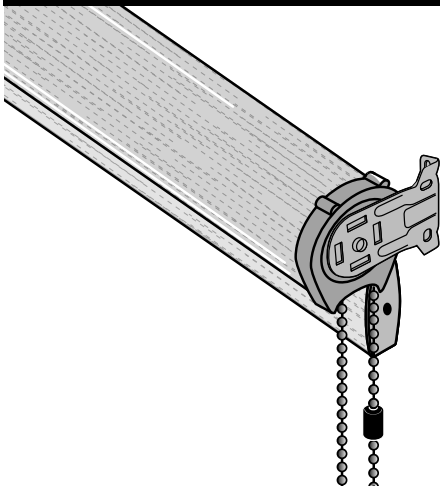


• No charge

- Standard roll is where fabric rolls over the tube to the back
- Reverse roll is where the fabric rolls over the tube to the front
- Reverse roll not available with valances
- Roll direction cannot be changed after shade is manufactured

NOTE: For optimal privacy and light control, standard roll should be used.

Continuous-Loop Lift

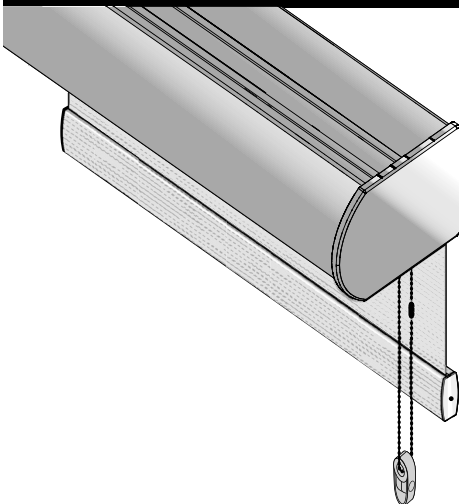


• For pricing, see price charts

- Beaded chain and clutch system makes raising and lowering shade easy
- Two clutch sizes depending on shade size
- Stainless bead chain stays same length regardless of shade position
- Bead chain length is approximately $\frac{7}{8}$ length of shade; customer can request longer chain length at time of order
- Chain is kept at a constant length and held taut by a safety hold down device
- **NOTE:** Hold down device must be installed to operate the shade.
- Choose left or right chain location (right is standard)
- Optional powder-coated cassette valance comes in two sizes (medium or large) and four colors: Black 939, Brown 873, Vanilla 970, White 871
- Component and cassette valance color is selectable
- Hem bar hold downs attach the shade to the frame of the window or deck/patio
- Fabrics and components are specifically designed for outdoor use

NOTE: All exterior shades must be fully raised in wind and inclement weather. Raise shade in winds exceeding a moderate breeze (13–18 mph: small tree branches move, dust is picked up from the ground surface)

Curved Cassette Valance



• For surcharge, see price charts

- Curved, sleek, aluminum-extruded cassette valance
- Available in four colors: Black 939, Brown 873, Vanilla 970, White 871
- Powder-coated finish
- Rated for outdoor use
- Curved cassette valance must be ordered at the same time as the continuous-loop lift shade (**NOTE:** Automatically comes with motorized lift.)
- Sizes: medium $3\frac{5}{8}$ " high x $4\frac{1}{4}$ " deep (continuous-loop lift only); large $4\frac{5}{8}$ " high x $5\frac{1}{2}$ " deep

Options

Motorized Lift

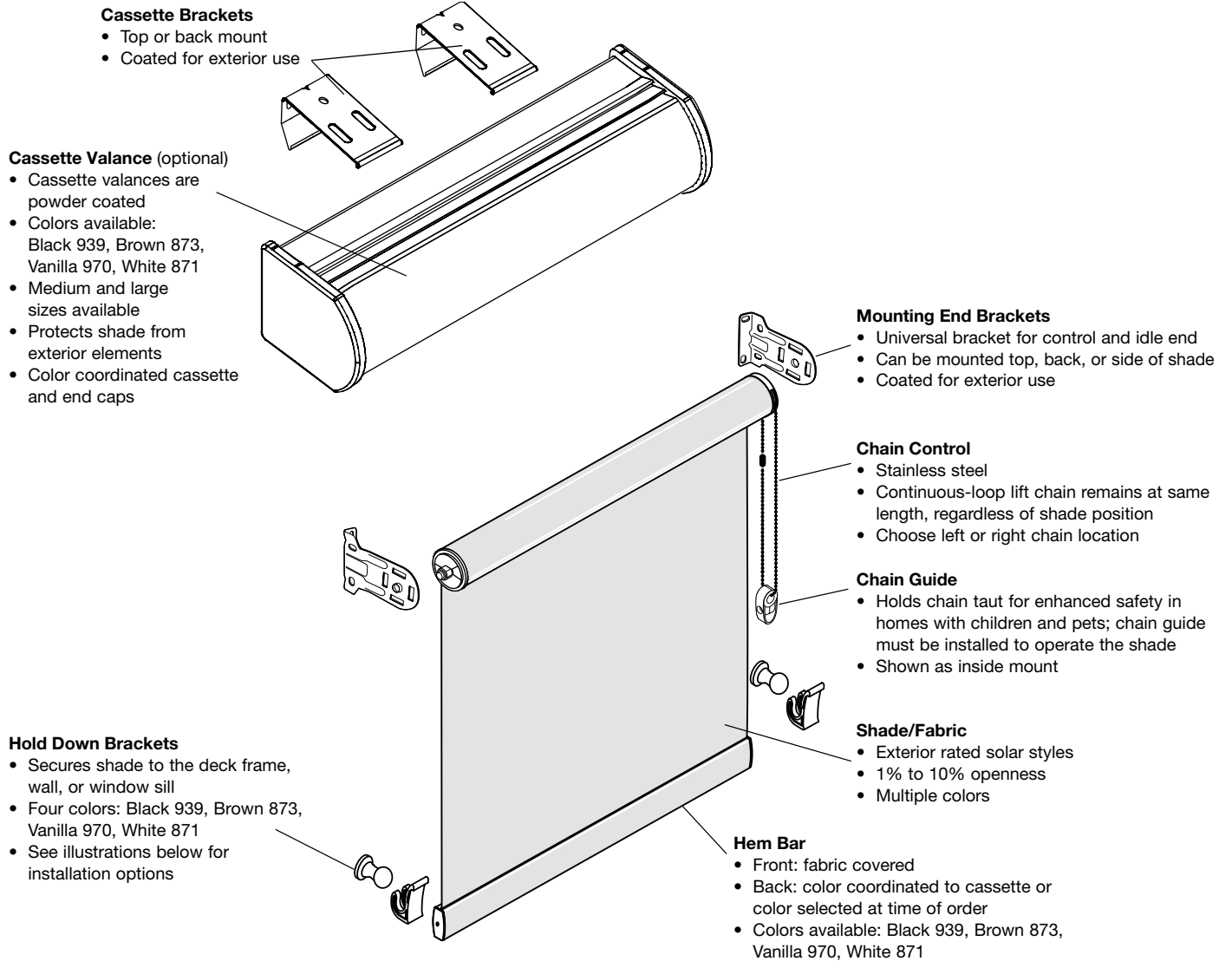
- **For pricing, see price charts**
- Components are rated for exterior use
- Motorized lift shades come standard with a radio frequency AC motor providing convenient operation through wireless remote controllers and wall switches
- Powered using a 3-prong plug (residential outlet) (sold separately) or wired directly by an electrician
- Radio frequency operation allows shade operation from virtually anywhere without direct line of sight; no wiring is required between the motor and the controllers
- Upper and lower motor limits are pre-programmed for added convenience
- Large cassette valance is included in price, available in four colors: Black 939, Brown 873, Vanilla 970, White 871
- Universal cable locks are standard
- Guide cables are secured with unique, universal cable lock that can be mounted base/sill or back/wall
- Guide cables determined by shade height; 54", 80", 144", 186"

Motorized Lift Options

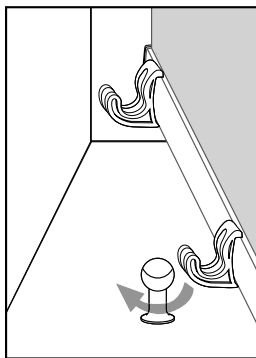
- Controllers and wall switches are wireless, providing installation and operation convenience
- 1- and 5-channel remote controllers operate individual or groups of shades
- Exterior rated remote controls are water resistant and shock proof
- Interior remote controllers and wireless wall switches can operate the same shades
- Interior wireless 1- and 5-channel wall switches provide convenient operation of individual or groups of shades from inside the home
- Wind sensor will automatically raise the shade in windy conditions, providing protection of your shades
- Choose left or right motor power cable location
- Power cable length available: 10 feet
- Exterior rated black plug available

General Information

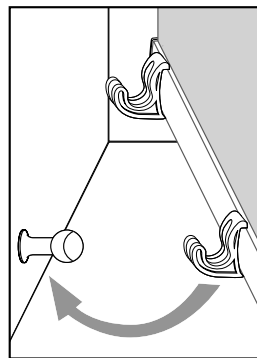
Exterior Continuous-Loop Lift Product Detail



NOTE: The installation screws provided are for mounting on wood. For mounting on materials other than wood, please consult a qualified contractor.



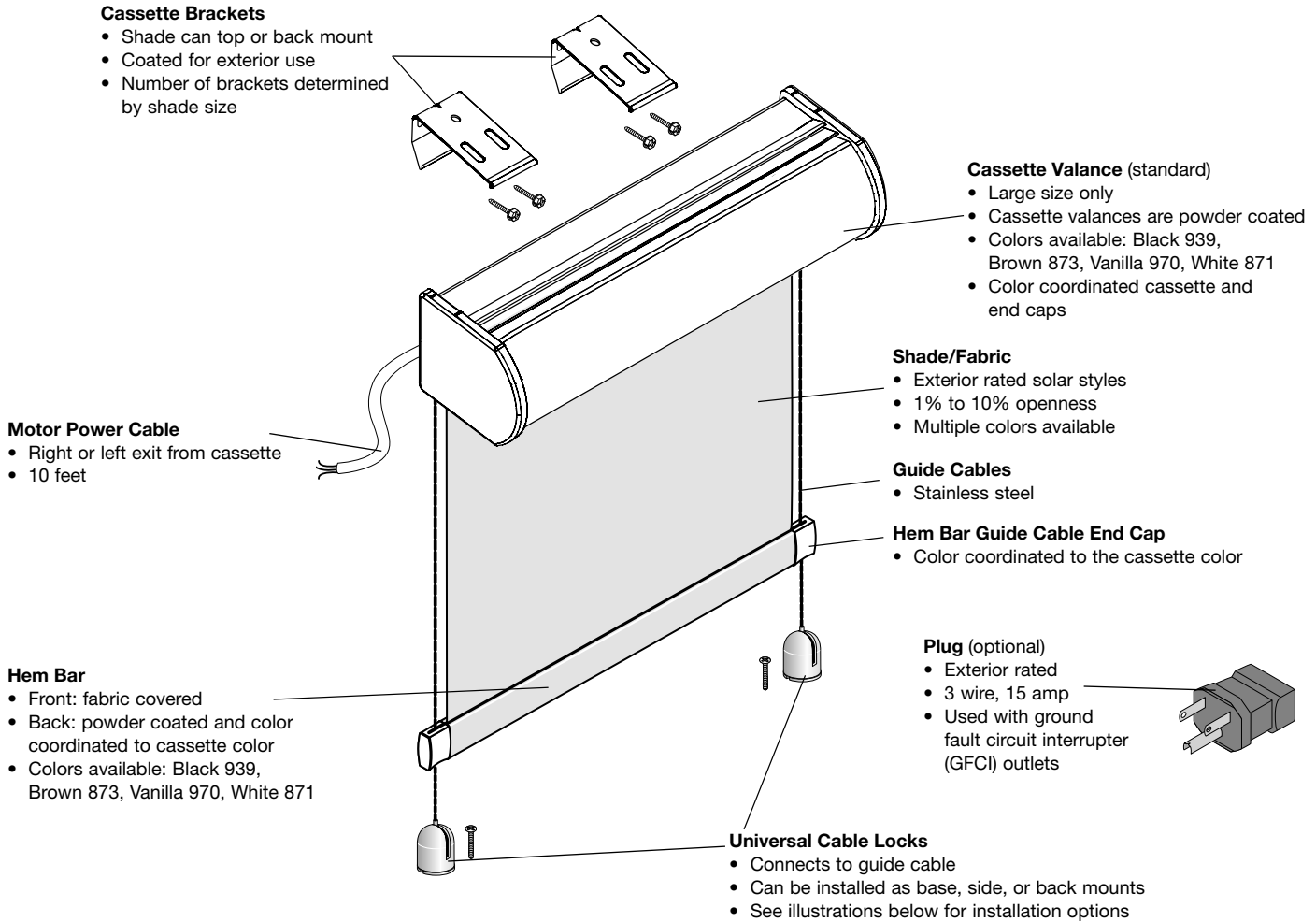
Base/Sill Mount



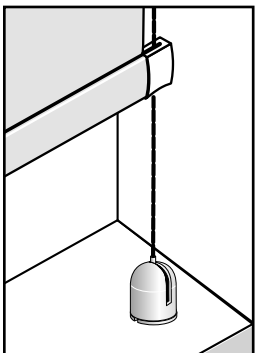
Back/Wall Mount

General Information

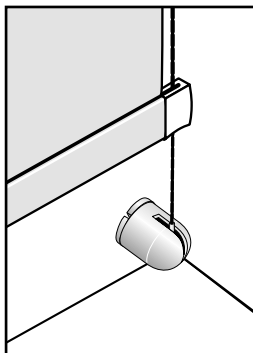
Exterior Motorized Lift Shade Product Detail



NOTES: A licensed electrician is required for all electrical connections. All local and NEC codes must be followed. The installation screws provided are for mounting on wood. For mounting on materials other than wood, please consult a qualified contractor.



Base/Sill Mount



Back/Wall Mount

GRABER.

Grabex Exterior Solar Shades

Designer US Price List — Effective January 2024

Price Group CA: Continuous-Loop Lift: Broadcast, Chronicles, Exposition, Monticello, Pannier, Plexus 1%, Plexus 3%, Plexus 5%, Standard Weave 1%, 3%, 5% and 10%, Steel House Vanguard 1%, Vanguard 3%, Vanguard 5%

Height up to inches (cm) ↓	Width up to inches (cm) →															
	24 (61)	32 (81.3)	36 (91.5)	42 (106.7)	48 (122)	54 (137.2)	60 (152.4)	66 (167.7)	72 (182.9)	78 (198.2)	84 (213.4)	96 (243.9)	106 (269.3)	120 (304.8)	132 (335.3)	144 (365.8)
36 (96)	253	268	285	301	313	343	373	402	437	552	580	651	712	789	874	971
42 (106.7)	256	272	294	320	343	377	409	443	482	596	633	704	777	856	953	1059
48 (122)	263	276	305	340	370	409	448	486	522	643	682	756	829	931	1029	1144
54 (137.2)	272	283	316	356	398	440	484	522	560	692	728	813	899	999	1108	1231
60 (152.4)	283	287	326	373	420	469	517	559	597	737	774	870	964	1069	1184	1317
66 (167.7)	287	293	347	401	450	516	555	597	642	786	818	911	1029	1141	1264	1405
72 (182.9)	296	311	367	424	482	563	591	640	682	829	861	952	1095	1211	1344	1493
78 (198.2)	305	334	390	449	506	579	623	675	726	880	924	1014	1157	1278	1419	1577
84 (213.4)	314	352	411	471	534	594	655	711	767	931	980	1074	1215	1344	1493	1656
96 (243.9)	323	380	449	517	586	657	727	790	850	1039	1139	1259	1398	1553	1711	1868
108 (274.4)	350	429	504	580	658	737	814	886	953	1173	1241	1397	1698	1888	2077	2265
120 (304.8)	387	474	560	649	735	818	906	986	1060	1300	1454	1661	1840	2046	2252	2353
132 (335.3)	463	543	620	716	813	910	1005	1090	1178	1446	1551	1827	2044	2272	2500	2612
144 (365.8)	477	584	692	795	904	1009	1112	1211	1308	1601	1840	2029	2269	2521	2772	2898

Add Surcharge to Shade Price

Medium Cassette Valance	77	88	95	102	116	134	144	161	172	174	189	202	217	233	250	268
Large Cassette Valance	88	102	116	126	134	144	161	172	182	193	207	231	256	277	300	322

Broadcast					
Alfresco	47504	Genuine	47513	Simplicity	47509
Cashmere	47503	Gourmet	47514	Sonnet	47502
Constellation	47501	Motif	47505	Taliesin	47506
Continental	47508	Serenade	47515		

Chronicles					
Skyline	49202	Sumatra	49203	Tuxedo	49204

Exposition					
Consummate	48501	Resonance	48504	Wishlist	48503
Genesis	48502				

Monticello					
Burro	40442	Mist	40441	Tiki	40444
Dune	40443	Rust	40445		

Pannier					
Black Dahlia	3680	Creamy Mocha	3681	Feather White	3682
Riverbed Brown	3683				

Plexus 1%					
Black Granite	47610	Penumbra	47608	Sublime Gray	47612
Chalcedony	47604	Provisions	47603	Tranquility	47611
Landmark	47606	Renewal	47602	Travertine	47607
Nutley Pier	47609				

Plexus 3%					
Black Granite	47710	Penumbra	47708	Sublime Gray	47712
Chalcedony	47704	Provisions	47703	Tranquility	47711
Landmark	47706	Renewal	47702	Travertine	47707
Nutley Pier	47709				

Plexus 5%					
Black Granite	47810	Penumbra	47808	Sublime Gray	47812
Chalcedony	47804	Provisions	47803	Tranquility	47811
Landmark	47806	Renewal	47802	Travertine	47807
Nutley Pier	47809				

Standard Weave 1%					
Café Doppio	47907	Infallible	47903	Veranda	47905
Calcite	47901	Once	47904		
Chiseled	47908	Polished	47906		

Standard Weave 3%					
Café Doppio	48207	Chiseled	48208	Once	48204
Calcite	48201	Infallible	48203	Veranda	48205

Standard Weave 5%					
Café Doppio	48307	Chiseled	48308	Once	48304
Calcite	48301	Infallible	48303	Veranda	48305

Standard Weave 10%					
Café Doppio	48407	Chiseled	48408	Once	48404
Calcite	48401	Infallible	48403	Veranda	48405

Steel House					
Buff	1652	Cavern Floor	1650	Chocolate Souffle	1653
Cloud	1651				

Vanguard 1%					
Authentic	47909	Dew	47914	Obsidian	47919
Chrome	47915	Elusive	47912	Peloton	47918
Cortina	47910	Homage	47917	Pendulum	47916

Vanguard 3%					
Authentic	48209	Dew	48214	Obsidian	48219
Chrome	48215	Elusive	48212	Peloton	48218
Cortina	48210	Homage	48217	Pendulum	48216

Vanguard 5%					
Authentic	48309	Dew	48314	Obsidian	48319
Chrome	48315	Elusive	48312	Peloton	48318
Cortina	48310	Homage	48317	Pendulum	48316

Price Group CB: Continuous-Loop Lift: Merit, Guildhall

Height up to inches (cm) ↓	Width up to inches (cm) →												
	24 (61)	32 (81.3)	36 (91.5)	42 (106.7)	48 (122)	54 (137.2)	60 (152.4)	66 (167.7)	72 (182.9)	78 (198.2)	84 (213.4)	96 (243.9)	108 (274.4)
36 (96)	276	293	311	329	343	375	409	440	478	604	636	712	780
42 (106.7)	280	296	323	351	375	415	449	484	527	655	692	771	853
48 (122)	289	304	335	371	405	449	489	532	571	704	746	827	911
54 (137.2)	296	308	347	390	436	482	529	571	613	757	796	890	983
60 (152.4)	308	316	358	409	458	515	565	612	656	807	848	953	1054
66 (167.7)	316	322	380	438	494	563	607	656	703	859	897	999	1129
72 (182.9)	324	341	401	466	527	618	649	698	746	911	946	1044	1198
78 (198.2)	335	366	427	491	555	635	682	738	794	964	1010	1109	1268
84 (213.4)	344	387	450	517	586	652	714	777	839	1020	1074	1175	1333
96 (243.9)	356	417	491	565	643	717	795	862	931	1139	1245	1378	1530
108 (274.4)	385	470	552	636	719	807	891	970	1045	1284	1359	1529	1858
120 (304.8)	422	519	613	709	804	897	990	1079	1161	1426	1596	1818	2019
132 (335.3)	506	596	680	786	890	996	1102	1195	1290	1583	1700	2002	2239
144 (365.8)	522	640	757	872	989	1106	1220	1325	1431	1756	2019	2222	2485

Add Surcharge to Shade Price

Medium Cassette Valance	77	88	95	102	116	134	144	161	172	174	189	202	217
Large Cassette Valance	88	102	116	126	134	144	161	172	182	193	207	231	256

Merit

Atmosphere	49504	Clarity	49501	Exquisite	49505
Cavalier	49506	Emulation	49503	Panoramic	49502

Guildhall

Mystery	49305
---------	-------

=====

**Price Group MA: Motorized Lift: Broadcast, Chronicles, Monticello, Pannier,
Plexus 1%, Plexus 3%, Plexus 5%, Standard Weave 1%, 3%, 5%, 10%,
Steel House, Vanguard 1%, Vanguard 3%, Vanguard 5%**

Height up to inches (cm) ↓	Width up to inches (cm) →															
	24 (61)	32 (81.3)	36 (91.5)	42 (106.7)	48 (122)	54 (137.2)	60 (152.4)	66 (167.7)	72 (182.9)	78 (198.2)	84 (213.4)	96 (243.9)	106 (269.3)	120 (304.8)	132 (335.3)	144 (365.8)
36 (96)	2016	2068	2129	2186	2217	2304	2335	2408	2450	2508	2587	2747	2912	3105	3349	3693
42 (106.7)	2039	2104	2159	2216	2247	2337	2371	2454	2529	2575	2646	2813	2978	3181	3413	3759
48 (122)	2065	2139	2192	2249	2275	2367	2410	2499	2592	2647	2697	2880	3042	3265	3477	3823
54 (137.2)	2091	2178	2226	2278	2308	2399	2447	2542	2625	2715	2754	2946	3110	3341	3544	3889
60 (152.4)	2114	2193	2249	2311	2335	2429	2482	2586	2673	2758	2802	3014	3185	3371	3624	3953
66 (167.7)	2141	2212	2277	2342	2367	2467	2519	2628	2727	2818	2859	3079	3266	3448	3676	4020
72 (182.9)	2161	2231	2301	2367	2432	2501	2556	2675	2778	2881	2924	3147	3330	3519	3766	4104
78 (198.2)	2184	2257	2331	2402	2466	2532	2591	2719	2830	2938	2992	3215	3393	3594	3831	4189
84 (213.4)	2202	2274	2355	2437	2504	2571	2629	2760	2881	2994	3054	3285	3454	3640	3901	4280
96 (243.9)	2245	2335	2406	2478	2548	2619	2675	2814	2941	3062	3143	3383	3607	3792	4055	4440
108 (274.4)	2291	2374	2442	2512	2587	2662	2743	2878	3029	3172	3248	3471	3786	3975	4246	4644
120 (304.8)	2340	2450	2507	2567	2648	2721	2823	2967	3122	3268	3383	3574	3922	4115	4389	4767
132 (335.3)	2399	2494	2535	2625	2722	2824	2892	3060	3217	3380	3489	3653	4078	4271	4551	4935
144 (365.8)	2444	2550	2596	2694	2797	2894	2967	3187	3299	3490	3645	3781	4241	4434	4717	5114

Pricing includes radio frequency motor, power cord, guide cable, cable locks, and large cassette.

Motorization Controls

Radio Frequency Remote Controls	
Situo 1 Single Channel Remote: White	125
Situo 1 Single Channel Remote: Silver	204
	155
Telis 1 Single-Channel Exterior RF Remote: White/Blue	168
Situo 5 Five Channel Remote: White	229
Situo 5 Five Channel Remote: Silver	170
Telis 4 Five-Channel Exterior RF Remote: White/Blue	682
Telis 16-Channel Remote: White	
Radio Frequency Wall Switches	
DecoFlex Single-Channel Wall Switch: White	324
DecoFlex Five-Channel Wall Switch: White	356
120 Volt Exterior Power	
120 Volt Exterior Electrical 3-Prong Plug: 15 Amp	61
Additional Radio Frequency Controls	
RF Wind Sensor (includes exterior power cord with 3-prong plug)	607

Broadcast					
Alfresco	47504	Genuine	47513	Simplicity	47509
Cashmere	47503	Gourmet	47514	Sonnet	47502
Constellation	47501	Motif	47505	Taliesin	47506
Continental	47508	Serenade	47515		

Chronicles					
Skyline	49202	Sumatra	49203	Tuxedo	49204

Monticello					
Rust	40445				

Pannier					
Black Dahlia	3680	Creamy Mocha	3681	Feather White	3682
Riverbed Brown	3683				

Plexus 1%					
Soapstone	47601	Sublime Gray	47612	Tranquility	47611

Plexus 3%					
Soapstone	47701	Sublime Gray	47712	Tranquility	47711

Plexus 5%					
Soapstone	47801	Sublime Gray	47812	Tranquility	47811

Standard Weave 1%					
Café Doppio	47907	Infallible	47903	Veranda	47905
Calcite	47901	Once	47904		
Chiseled	47908	Polished	47906		

Standard Weave 3%					
Café Doppio	48207	Chiseled	48208	Once	48204
Calcite	48201	Infallible	48203	Veranda	48205

Standard Weave 5%					
Café Doppio	48307	Chiseled	48308	Once	48304
Calcite	48301	Infallible	48303	Veranda	48305

Standard Weave 10%					
Café Doppio	48407	Chiseled	48408	Once	48404
Calcite	48401	Infallible	48403	Veranda	48405

Steel House					
Buff	1652	Cavern Floor	1650	Chocolate Souffle	1653
Cloud	1651				

Vanguard 1%					
Authentic	47909	Dew	47914	Obsidian	47919
Chrome	47915	Elusive	47912	Peloton	47918
Cortina	47910	Homage	47917	Pendulum	47916

Vanguard 3%					
Authentic	48209	Dew	48214	Obsidian	48219
Chrome	48215	Elusive	48212	Peloton	48218
Cortina	48210	Homage	48217	Pendulum	48216

Vanguard 5%					
Authentic	48309	Dew	48314	Obsidian	48319
Chrome	48315	Elusive	48312	Peloton	48318
Cortina	48310	Homage	48317	Pendulum	48316

Price Group MB: Motorized Lift: Merit, Guildhall

Height up to inches (cm) ↓	Width up to inches (cm) →												
	24 (61)	32 (81.3)	36 (91.5)	42 (106.7)	48 (122)	54 (137.2)	60 (152.4)	66 (167.7)	72 (182.9)	78 (198.2)	84 (213.4)	96 (243.9)	108 (274.4)
36 (96)	2039	2093	2155	2214	2247	2336	2371	2446	2491	2560	2643	2808	2980
42 (106.7)	2063	2128	2188	2247	2279	2375	2411	2495	2574	2634	2705	2880	3054
48 (122)	2091	2167	2222	2280	2310	2407	2451	2545	2641	2708	2761	2951	3124
54 (137.2)	2115	2203	2257	2312	2346	2441	2492	2591	2678	2780	2822	3023	3194
60 (152.4)	2139	2222	2281	2347	2373	2475	2530	2639	2732	2828	2876	3097	3275
66 (167.7)	2170	2241	2310	2379	2411	2514	2571	2687	2788	2891	2938	3167	3366
72 (182.9)	2189	2261	2335	2409	2477	2556	2614	2733	2842	2963	3009	3239	3433
78 (198.2)	2214	2289	2368	2444	2515	2588	2650	2782	2898	3022	3078	3310	3504
84 (213.4)	2232	2309	2394	2483	2556	2629	2688	2826	2953	3083	3148	3386	3572
96 (243.9)	2278	2372	2448	2526	2605	2679	2743	2886	3022	3162	3249	3502	3739
108 (274.4)	2326	2415	2490	2568	2648	2732	2820	2962	3121	3283	3366	3603	3946
120 (304.8)	2375	2495	2560	2627	2717	2800	2907	3060	3223	3394	3525	3731	4101
132 (335.3)	2442	2547	2595	2695	2799	2910	2989	3165	3329	3517	3638	3828	4273
144 (365.8)	2489	2606	2661	2771	2882	2991	3075	3301	3422	3645	3824	3974	4457

Pricing includes radio frequency motor, power cord, guide cable, cable locks, and large cassette.

Motorization Controls

Radio Frequency Remote Controls	
Situo 1 Single Channel Remote: White	125
Situo 1 Single Channel Remote: Silver	204
Telis 1 Single-Channel Exterior RF Remote: White/Blue	155
Situo 5 Five Channel Remote: White	168
Situo 5 Five Channel Remote: Silver	229
Telis 4 Five-Channel Exterior RF Remote: White/Blue	170
Telis 16-Channel Remote: White	682
Radio Frequency Wall Switches	
DecoFlex Single-Channel Wall Switch: White	324
DecoFlex Five-Channel Wall Switch: White	356
120 Volt Exterior Power	
120 Volt Exterior Electrical 3-Prong Plug: 15 Amp	61
Additional Radio Frequency Controls	
RF Wind Sensor (includes exterior power cord with 3-prong plug)	607

Merit					
Atmosphere	49504	Clarity	49501	Exquisite	49505
Cavalier	49506	Emulation	49503	Panoramic	49502

Guildhall	
Mystery	49305

Options Pricing

Cable Locks (motorized lift)	No charge
Cassette Valance	Continuous-loop lift: see price chart surcharges Motorized lift: included in price
Component Colors	No charge
Continuous-Loop Lift	Standard: see continuous-loop lift price chart
Fabric Turned 90° Width for Height (railroaded)	No charge
Guide Cables (motorized lift)	No charge
Hold Down Brackets (continuous-loop lift)	No charge
Motorized Lift	See motorization product information guide
Motorized Lift Accessories	See motorization product information guide
Reverse Roll	No charge
Seaming	No charge
Specific Channel Assignment (motorized lift)	No charge
Stainless Steel Chain	No charge

GRABER®

Graber is a brand of Springs Window Fashions, the Best Experience Company

(06/23) 23-448900

Graber and the Graber logo are registered trademarks of Springs Window Fashions, LLC.