



Ultimate[™] Normandy[®] Wood Blinds

PROGRAM REFERENCE GUIDE

Revision Log

Date	Revision
7/01/23	New program
8/2/23	Pg. 12: Updated ladder & inner cord chart for widths between 52-54"

Table of Contents

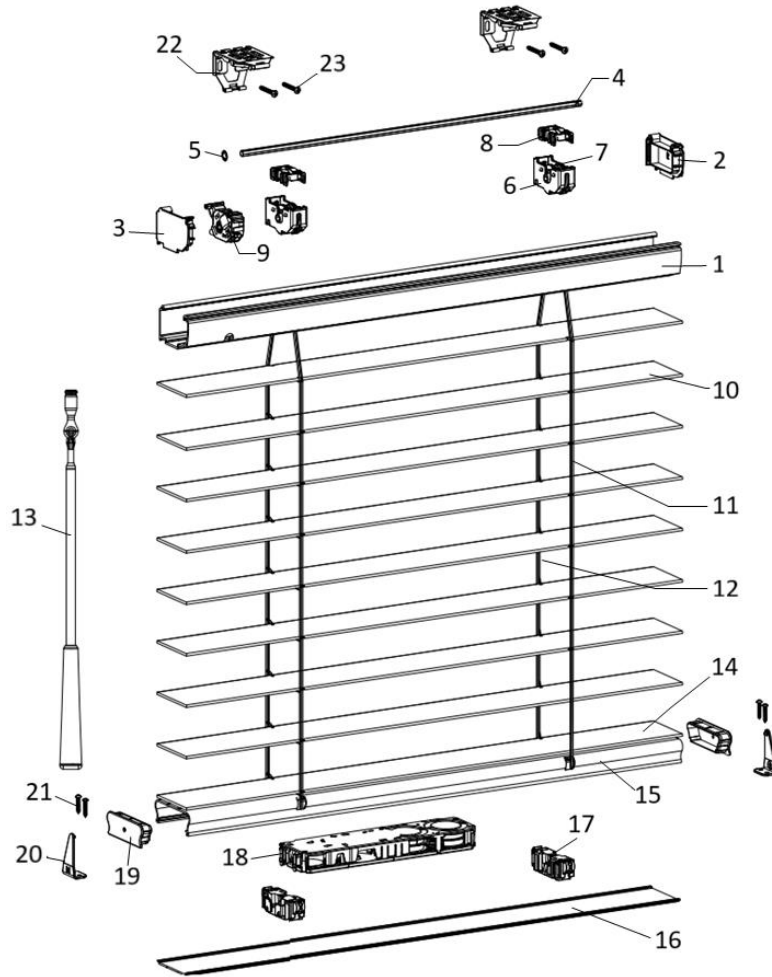
	Page
Features & Benefits	4
Ultimate Normandy® Wood Blinds	
Terminology	5
Standard Features & Options	6
General Specifications	7 – 12
Mounting Depth Requirements	14 – 16
Operating your Cordless Blind	17
Components, Hardware & Parts	18-20
Color Availability	21
Ultimate Normandy® Cheat Sheet	22

Features & Benefits

- Environmentally-friendly, premium solid wood slats to resist warping, cupping or twisting
- Textured grain finish highlights the natural characteristic of the wood
- 26 colors and finishes, including OSMO finishes
- 2" slats and 2 ½" slats available for all colors and systems
- Patented, award-winning SmartPrivacy® feature allows optimum blind closure for the best privacy and light blocking in the industry
- Light weight slat enables easier lifting and lowering
- Advanced tilting mechanism makes angling blinds effortless
- Pivoting bottom rail helps block light beneath the blind
- Smooth "Best for Kids" cordless lift system comes standard for child and pet safety
- Metal one-piece wands are never split
- Valance-free Poly Deco headrail with built in light block
- Self-leveling technology virtually eliminates lopsided lifting



Terminology



No	Description	No	Description	No	Description
1	Head Rail(PVC)	9	Wand Tilter	17	Cord Guide
2	Head Rail End Cap(Right)	10	Slat	18	Spring Box
3	Head Rail End Cap(Left)	11	Ladder	19	Bottom Rail End Cap
4	Tilt rod	12	Inner Cord	20	Hold Down Bracket(Optional)
5	Ring Stopper	13	Wand Set	21	Screw for Hold Down Bracket (Optional)
6	Head Rail Drum Support	14	Slat (covered on bottom rail)	22	Installation Bracket (Top/Back Mount)
7	Drum	15	Bottom Rail	23	Screw for Installation Bracket
8	Drum Cap	16	Bottom Rail Cover		

Standard Features & Options

Standard Features

- Industry-leading closure and privacy with award-winning SmartPrivacy®
- Smooth, reliable Performance cordless lift system. Wand tilt for child and pet safety
- Environmentally-friendly, premium solid wood slats to resist warping, cupping or twisting
Covers a large range of sizes
- 2" & 2 ½" slat sizes available in all colors
- Impact resistant, modern, valance-free PolyDeco headrail
- Pivoting bottom rail helps block light beneath the blind and allows for maximum slat closure

Options

- Optional Control Location – Wand: Right
- Optional Wand drop sizes
- Valances: Designer Crown & Contempo
- Keystones
- Common valance
- Cut-outs
- Side mount brackets (for net width $\leq 37"$ / inside mount only)



General Specifications

Size Considerations

Single Blind	Min.	Max.	Max Area	Remarks
Blind Width (Net) (X)	6 1/2"	96"	48 sq.ft	Top/Back Mount (Default)
Blind Length (Y)	16"	96"		

- The overall max blind size is limited by the maximum area; max width by max height cannot be ordered as one blind.

* Side mount brackets are available for all widths (IB). For widths over 37" top mount brackets are required and will be provided to be used in conjunction with side mount brackets.

Standard Deductions

Inside Mount:

Blind Width= Ordered Width – 3/8" *

Blind Height= Ordered Height

Outside Mount:

Ordered Width = Blind Width

Ordered Height= Blind Height

*OM recommendation: Add 1 ½ width on each side of the blind.

Tolerance:

Blind Width may vary ± 1/8".

Blind Height may vary +0~2 ¼" for 2" blinds, and +0~2 ¾" for 2 ½" blinds.

Measurements:

Blind width: Measured from the left end to the right end of the slat.

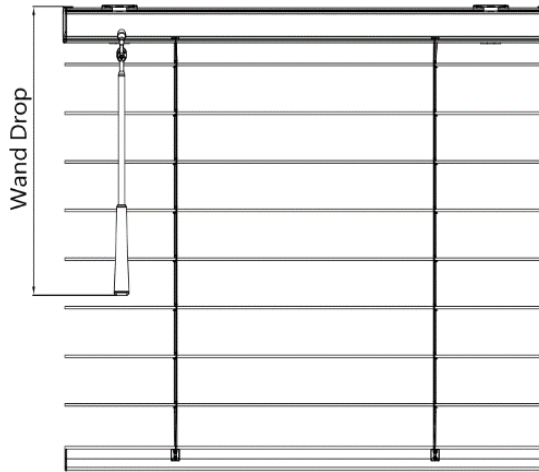
Blind height: Lower the blind completely, then measure from the top of the headrail to the bottom of the bottom rail with slats in the open position.

*For Common Valance: 3/8" width deductions will be taken for IM common valance blinds with individual window openings under a common valance - which are larger deductions than a shared window opening. For orders where blinds are under a common valance share one window opening, please specify in special instructions.

General Specifications

Wand Drop Standard

- **Wand Drop** is measured from the top of the headrail, to the bottom of the wand grip when slats are in a level opened position. Wand drop is not the height of the wand itself.
- Wand Control Location
 - Left (Default)
 - Right (Optional)
 - Center (default for blinds 15" wide or less)
- Wand Drop Sizes: **11 3/4", 17 3/4", 29 3/4", 38 1/4" (47 1/4" & 60" optional only)**
 - The standard wand drop size is the default size for a blind at the given height
 - Optional wand drop sizes can be selected from the 6 available
 - For common valance with different blind sizes, wand drop will default to the smallest wand for all blinds



Blind Length(Y)	Blind Width (Net)(X)	Wand Drop (From top of head rail to bottom of wand grip)	Custom Wand Drop	Tolerance
$Y \leq 36''$	All	11 3/4"	11 3/4"	Wand length/ wand drop tolerance: -1"~ +1"
$36'' < Y \leq 48''$	All	17 3/4"	17 3/4"	
$48'' < Y \leq 72''$	All	29 3/4"	29 3/4"	
$72'' < Y \leq 96''$	All	38 1/4"	38 1/4"	
			47 1/4"	
			60"	

***All wand sizes are metal and will never be split, regardless of wand length**

Wand Control Location

Control	Blind Width (Net) (X)
Center (Default)	$6 \frac{1}{2}'' \leq X < 15''$
Left (Default)/Right (Optional)	$X \geq 15''$

*Blind Width (Net) < 15" will be made with tilt wand placed in the center and with no lift function.

General Specifications

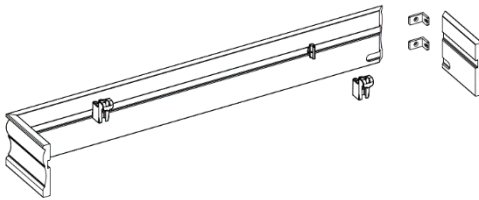
Valances

*Color availability: Valance color will match slat color.

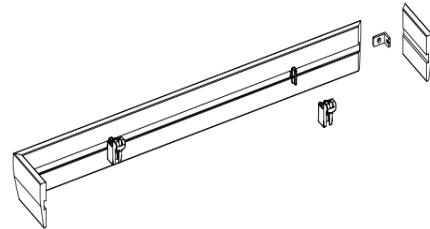
Default: No Valance

Options:

3 ¼" Designer Crown Valance



2 ½" Contempo Valance



Description	
1	Valance
2	Valance Return
3	Valance Return Joinery
4	Valance Clip Set



General Specifications

Valance Joinery

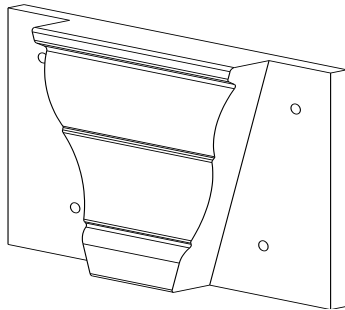
Valances will be spliced when the width exceeds 96". A valance joinery is required for support on spliced valances or common valances; Valance connectors will be provided by default; keystones can be selected as an option.

- **Standard:** Valance Connector
 - Valance Connector splits will be made evenly along the valance; custom split location & at gaps between blinds is not available
 - Max of 3 splices & 3 valance connectors per valance

- **Optional:** Keystone
 - Up to 3 keystones can be requested per valance/common valance
 - Select the keystone location based on an even split or a custom split
 - Keystones can also be requested onto non-spliced valances.



Valance connector



Keystone



Keystone Spacing Requirements

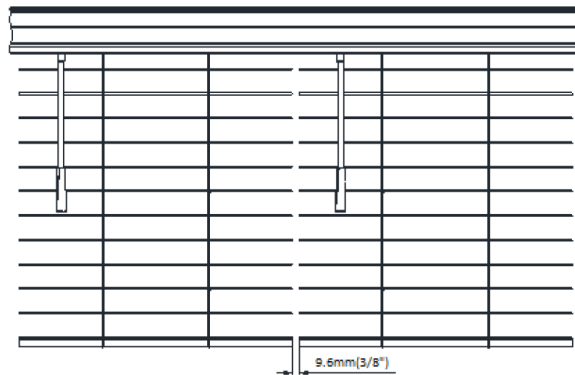
- Measure from the left of the valance inner width to the center of the keystone.
- Available for valance width 13" and above
- Minimum distance between 2 keystones is 18" and the min. distance between either ends of the valance to the keystone center is 6.5".
- Custom keystone location limitation:
 1. When there're 3 keystones:
 - 1st keystone: 6.5" ~ (total valance width - 18"x2 - 6.5")
 - 2nd keystone: (1st keystone location+18") ~ (total valance width - 18" - 6.5")
 - 3rd keystone: (2nd keystone location +18") ~ (total valance width - 6.5")
 2. When there're 2 keystones:
 - 1st keystone: 6.5" ~ (total valance width-18" - 6.5")
 - 2nd keystone: (1st keystone location+18") ~ (total valance width - 6.5")
 3. When there's 1 keystone:
 - Keystone: 6.5" ~ (total valance width-6.5")



General Specifications

Common Valance

- Not available with side mount brackets
- There is a min gap of 3/8" between each blind, but a gap of up to 12" can be requested.
- 3/8" width deductions will be taken from each blind (only when ordered as Inside Mount)
- Standard Common Valance sizes
 1. For IM without valance return, the standard common valance size = order width - 1/8" or = **left blind width (net) + right blind width (net) + middle blind width (net) + gap width x gap qty + 1/4"**
 2. For IM with valance return, the standard common valance size = order width + 1/4" or = **left blind width (net) + right blind width (net) + middle blind width (net) + gap width x gap qty + 5/8"**
 3. For OM with no valance returns, the standard common valance size = left blind width (net) + right blind width (net) + middle blind width (net) + gap width x gap qty + 2"
 4. For OM with valance returns, the standard common valance size = left blind width (net) + right blind width (net) + middle blind width (net) + gap width x gap qty + 1"



Please note that slats on common valance blinds may not align and that slat alignment is not guaranteed.

Custom Valance Width

- For single blinds, the custom valance width cannot be more than 5" wider than the (net) blind width.
- For blinds under a common valance, **the minimum gap size between each blind is 3/8", and the max gap between each blind is 12"**. Therefore, when there are:
 - 2 blinds under a common valance, the custom valance width cannot be 12" wider than the combined net blind width;
 - 3 blinds under a common valance, the custom valance width cannot be 24" wider than the combined net blind width;
 - 4 blinds under a common valance, the custom valance width cannot be 36" wider than the combined net blind width.

General Specifications

Valance & Valance Returns

- Valance return locations: left only, right only or both left and right returns
- Standard or custom sizes available: Custom return size: minimum ½" and maximum 5"
- Max custom valance length is 5" longer than finished blind width

	Blind Width	Valance Width	Minimum Mounting Depth	Valance Return
Fully IB with flush cut valance - NO RETURN	Window Width – 3/8"	Order width – 1/8"	4 1/16"	NO RETURN
Semi-IB with bracket flush against the wall	Window Width – 3/8"	Order width + 1/4"	2 11/16"	7/8" (inner dimension)
Semi-IB w/ min. mounting depth of 1 5/8"	Window Width – 3/8"	Order width + 1/4"	1 5/8"	2" (inner dimension)
Semi-IB, with shallow mounting holes	Window Width – 3/8"	Order width + 1/4"	15/16"	2 5/8" (inner dimension)
OB with valance & valance returns	Ordered Width	Blind width + 1"	NA	3 9/16" (inner dimension)
OB with valance & NO RETURN	Ordered Width	Blind width + 2"	NA	NA

Valance Return Connector	QTY
2 ½ Contempo	2
3 ¼" Designer Crown	4

Blind Width(Net)(X)/Custom Valance length(L)	Valance Clip Qty
$X \leq 37"$; $L \leq 37"$	2
$37" < X < 60"$; $37" < L < 60"$	3
$60" \leq X \leq 96"$; $60" \leq L \leq 96"$	4
$L > 96"$	Roundup((L-13)/24+1,0)

Ladder and Inner Cord Standards

2" Blind Width(Net)(X)	# of Ladders	# of Cords
$X \leq 32"$	2	4
$32" < X < 40"$	3	4
$40" \leq X \leq 52"$	3	6
$52" < X \leq 78"$	4	8
$78" < X \leq 96"$	5	8

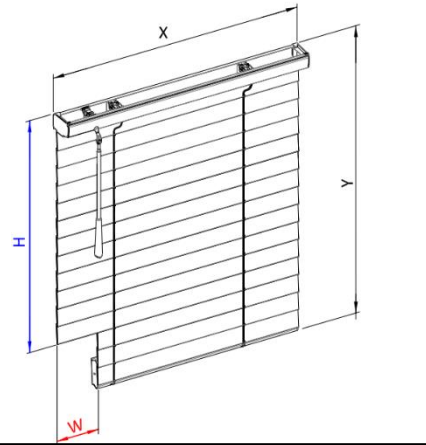
2 ½" Blind Width(Net)(X)	# of Ladders	# of Cords
$X \leq 36.5"$	2	4
$36.5" < X < 40"$	3	4
$40" \leq X \leq 54"$	3	6
$54" < X \leq 75"$	4	8
$75" < X \leq 96"$	5	8

General Specifications

Cut Outs

A cut-out is a blind with an area removed from it to avoid an existing obstruction. Please provide detailed measurements of the area to be removed, which should include: Cut-out **width** and cut-out **height**

Corner (Bottom) Cut Out		Blind Width(x)			
		$x \leq 8 \frac{7}{8}"$	$8 \frac{7}{8}" < x \leq 17 \frac{1}{4}"$	$17 \frac{1}{4}" < x \leq 21 \frac{3}{8}"$	$x > 21 \frac{3}{8}"$
Cut Out size Width(W)	Min.	1/8"			
	Max.	3/8"	1 3/8"	2 7/8"	4 7/8"
Height(H)	Min.	1 1/2"			
	Max.	2.5" slat: Y- 2 3/4" 2" slat: Y- 2 1/4"			



*Please note that the cut-out will be made when slats are at a closed position based on the cut out size provided. We **recommended** providing a diagram with the cut-out measurements to ensure a perfect fit to your window.

Corner (Bottom) Cut Out (cut out on the bottom rail and the bottom section of the slats, either left/right side or both sides)

* Cut-out width (W): Measuring from the edge of the blind/end cap to the end of the obstruction

* Cut-out Height (H): Measuring from the top of the head rail to the top of the obstruction

Side (Middle) Cut Out (cut out on the middle drop section of the slats, either left/right side or both sides)

*Cut-out width (W): Measuring from the edge of the blind/end cap to the end of the obstruction

*Cut-out Height (H1): Measuring from the top of the head rail to the top of the obstruction

*Cut-out Height (H2): Measuring from the top of the head rail to the end of the obstruction

Please note that the cut out will be made when slats are at a close position based on the cut out size provided and the slat will be cut entirely. Cut-out is available for Single blind/Common valance.

Single blinds: available on left, right or both sides

Common valance blinds: Cut outs are only available on the left side of the left blind and the right side of the right blind. Cut-outs are not available on the center blinds.

Only one cut-out type per side is available; Corner (Bottom) Cut Out and Side (Middle) Cut Out cannot be made on the same side of the blind.

General Specifications

Cut Outs (continued)

Side (Middle) Cut Out (cut out on the middle drop section of the slats, either left/right side or both sides)

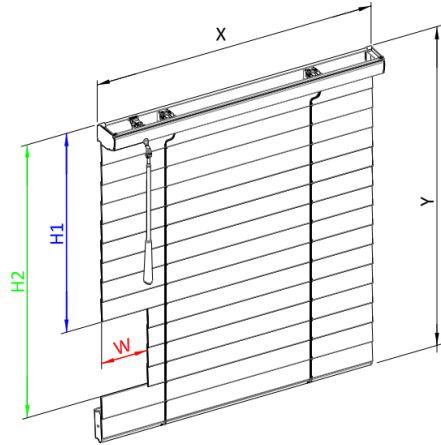
*Cut-out width (W): Measuring from the edge of the blind/end cap to the end of the obstruction

*Cut-out Height (H1): Measuring from the top of the head rail to the top of the obstruction

*Cut-out Height (H2): Measuring from the top of the head rail to the end of the obstruction

Please note that the cut out will be made when slats are at a close position based on the cut out size provided and the slat will be cut entirely. Cut-out is available for Single blind/Common valance.

Side (Middle) Cut Out		Blind Width(x)			
		$x \leq 8 \frac{7}{8}"$	$8 \frac{7}{8}" < x \leq 17 \frac{1}{4}"$	$17 \frac{1}{4}" < x \leq 21 \frac{3}{8}"$	$x > 21 \frac{3}{8}"$
Cut Out size on Width(W)	Min	1/8"			
	Max	3/8"	1 3/8"	2 7/8"	4 7/8"
Height(H1)	Min	1 1/2"			
	Max	2.5" slat: H2 - 2 1/4" 2" slat: H2 - 1 3/4"			
Height(H2)	Min	2.5" slat: 4" 2.5" slat: 3 1/2"			
	Max	2.5" slat: Y- 3" 2" Slat: Y-2 1/2"			



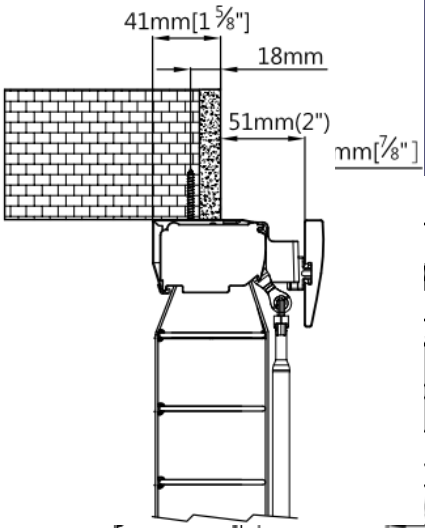
*Please note that the cut-out will be made when slats are at a closed position based on the cut out size provided. We **recommended** providing a diagram with the cut-out measurements to ensure a perfect fit to your window.

Mounting Depth Requirements

With holes drilled in normal mounting holes

Default	Fully IB Depth Requirement	Semi-IB with Min. Depth Requirement	
Without Valance	<p>2 11/16"</p> <p>68mm[2 11/16"]</p>	<p>1 5/8"</p> <p>41mm[1 5/8"]</p> <p>18mm</p>	
	Option	Fully IB Depth Requirement	Semi-IB with bracket flush to wall
With 2 1/2" Contempo Valance (Optional)	<p>4 1/16"</p> <p>102mm[4 1/16"]</p> <p>No valance return</p>	<p>2 11/16"</p> <p>68mm[2 11/16"]</p> <p>23mm[7/8"]</p> <p>Valance return size: 7/8" (inner dimension)</p>	<p>1 5/8"</p> <p>41mm[1 5/8"]</p> <p>18mm</p> <p>51mm(2")</p> <p>Valance return size: 2" (inner dimension)</p>

Ultimate™ Normandy® Wood Blinds



Mounting Requirements

Mounting Requirement	Semi-IB with bracket flush to wall	Semi-IB with Min. Depth Requirement
15/16"	2 11/16"	1 5/8"
<p>2mm [4 1/16"]</p> <p>No valance return</p>	<p>68mm [2 13/16"]</p> <p>23mm [7/8"]</p> <p>Valance return size: 7/8" (inner dimension)</p>	<p>41mm [1 5/8"]</p> <p>18mm</p> <p>51mm [2"]</p> <p>Valance return size: 2" (inner dimension)</p>

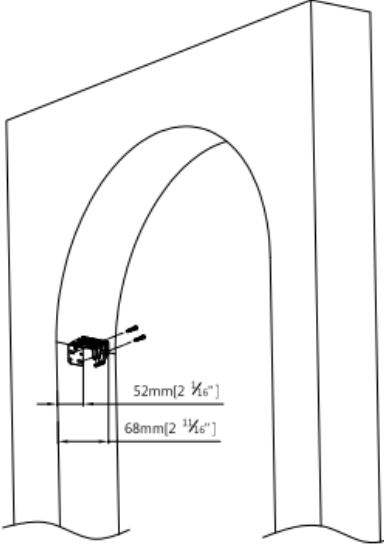
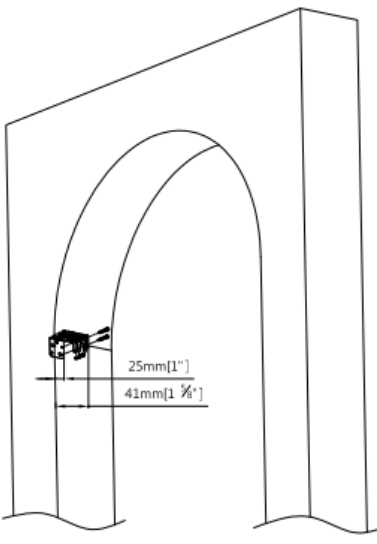
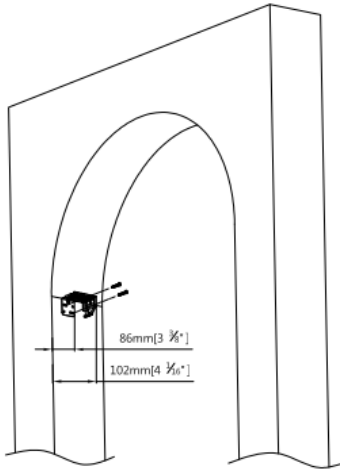
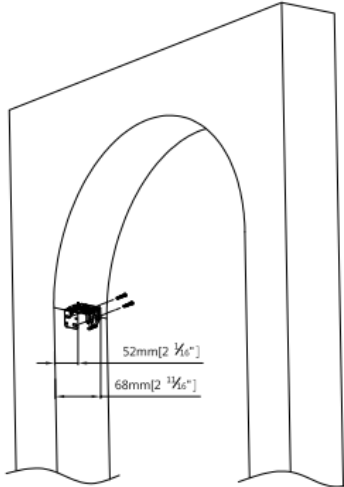
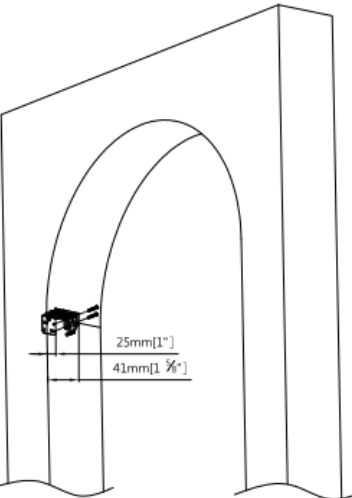
With 3 1/4" Designer Crown Valance (Optional)

With holes drilled in shallow mounting holes

2" & 2.5" blind	Without Valance	With 2 1/2" Contempo Valance	With 3 1/4" Designer Crown Valance
15/16"	15/16"	15/16"	15/16"
<p>24mm [1 5/16"]</p> <p>18mm</p> <p>Semi-IB with shallow depth</p> <p>No valance return</p>	<p>24mm [1 5/16"]</p> <p>18mm</p> <p>67mm [2 5/8"]</p> <p>Valance return size: 2 5/8" (inner dimension)</p>	<p>24mm [1 5/16"]</p> <p>18mm</p> <p>67mm [2 5/8"]</p> <p>Valance return size: 2 5/8" (inner dimension)</p>	

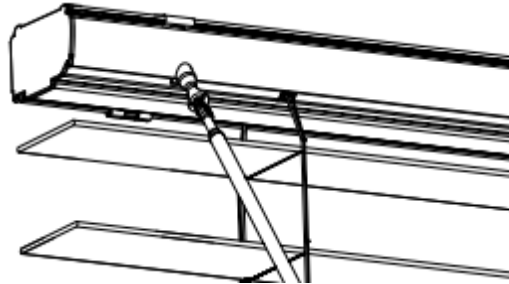


Mounting Depth Requirements

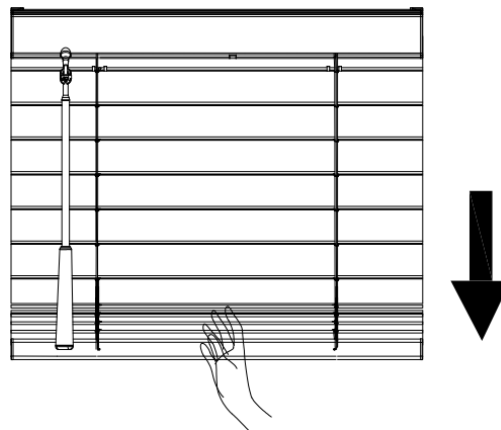
Option	Fully Side Mount Depth Requirement	Semi-side Mount with Min. Depth Requirement	
Without Valance	<p style="text-align: center;">2 11/16"</p> 	<p style="text-align: center;">1 5/8"</p> 	
With 3 1/4" Designer Crown Valance & 2 1/2" Contempo Valance (Optional)	<p style="text-align: center;">Fully Side Mount Depth Requirement</p> <p style="text-align: center;">4 1/16"</p>  <p style="text-align: center;">No valance return</p>	<p style="text-align: center;">Semi-side with Bracket Flush to Wall</p> <p style="text-align: center;">2 11/16"</p>  <p style="text-align: center;">Valance return size: 7/8" (inner dimension)</p>	<p style="text-align: center;">Semi-side with Min. Depth Requirement</p> <p style="text-align: center;">1 5/8"</p>  <p style="text-align: center;">Valance return size: 2" (inner dimension)</p>

Operating Your Cordless Blind

Tilting Wand: Rotate the wand to achieve the desired slat position.

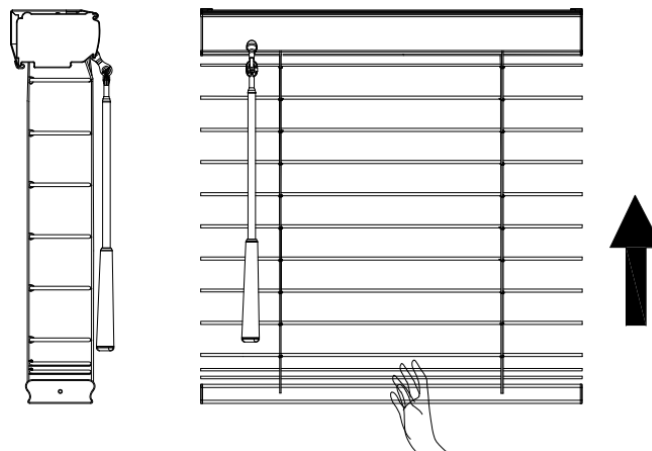


To lower the blind: Pull the blind down, by hand, from the bottom rail. Slats can be in an opened or closed position when lowering the blind.



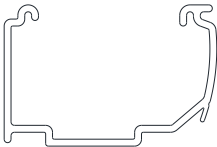
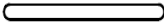
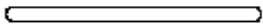
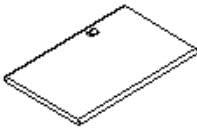
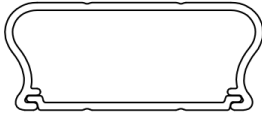

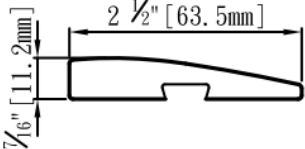
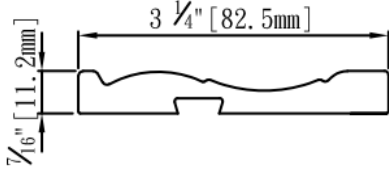
To raise the blind: Gently tilt the slats to an open/level position before lifting the bottom rail. Lift by hand, with slats in an open position.

**Do not leave slats in a closed up or closed down position while lifting the bottom rail.*


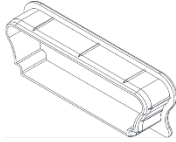
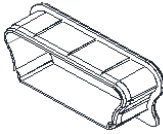
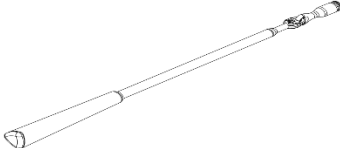
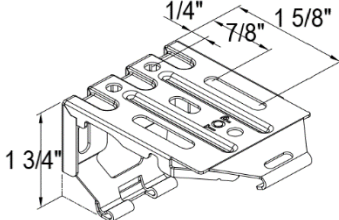
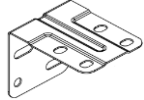
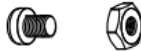
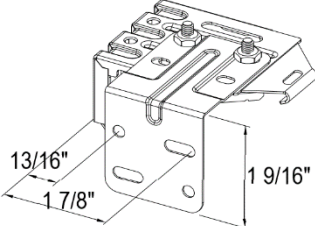


Components, Parts & Hardware

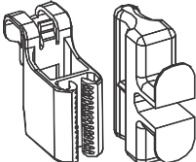
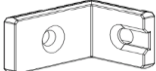



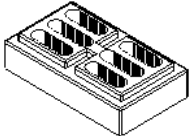



Main Components

Item	Profile	
PolyDeco Head Rail		
Slat	2" Blind	2.5" Blind
		
Punch Type (SmartPrivacy)		
Bottom Rail + Bottom Rail Cover	2" Blind	2.5" Blind
		
2 1/2" Contempo Valance (Optional)		
3 1/4" Designer Crown Valance (Optional)		

Components, Parts & Hardware

Item	Profile	
Bottom Rail		
End cap for Bottom rail	2" Blind	2.5" Blind
		
Wand Set (Iron Wand)		
Installation Bracket (Top/Back Mount)		
Side Mount Supporting Bracket Kit (Optional for window with blind width(net) ≤ 37")	 (Side Mount Supporting Bracket)	 (M4 Nut & Bolt)
Illustration to show the side mount supporting bracket attached to the standard installation bracket with the included nut & bolt		

Components, Parts & Hardware

Item	Profile	
Valance Clip set (Clip Receptor+ Clip Plug) (Optional)		
Valance Return Joinery (Optional)		
Valance Connector (default, for split valance)		
Hold Down Bracket (Optional)	2" Blind	2.5" Blind
	 Height: 41mm	 Height: 47mm
Spacer Block (Optional for outside mount only) 3/8" thickness for one layer 11/16" thickness for two layers		
1 1/4" Screw (For Installation bracket and Side Mount Supporting Bracket)		
2" Screw (For Installation bracket with spacer block; optional)		
3/4" Screw (For Hold down bracket)		

Color Availability

**Slat color will match optional valance color.

26 Colors – 8 Paint, 8 Stain, 10 OSMO

No.	Color Code	Color Name	Color Type
1	ND001	Pure White	Paint
2	ND003	Silk White	Paint
3	ND006	Pearl	Paint
4	ND080	*Taupe Gray	Paint
5	ND053	*Clay	Paint
6	ND091	*Solid Black	Paint
7	ND617	*Platter	Paint
8	ND017	*Gray Black	Paint

No.	Color Code	Color Name	Color Type
1	ND110	Limed White	Stain
2	ND114	Taupe	Stain
3	ND108	Rustic Gray	Stain
4	ND204	Oak Mantel	Stain
5	ND211	Cherry	Stain
6	ND230	Old Teak	Stain
7	ND221	Black Walnut	Stain
8	*ND246	Matte Black	Stain

No.	Color Code	Color Name	Color Type
1	1003	White Matte	OSMO
2	1501	Oak	OSMO
3	1502	Teak	OSMO
4	1301	Cherry	OSMO
5	1109	Silk Gray	OSMO
6	1111	Granite Gray	OSMO
7	1203	Black	OSMO
8	1204	Ebony	OSMO
9	1112	Sunbleached Gray	OSMO
10	1114	Weathered Gray	OSMO

*The following are Designer Colors and will carry an added surcharge: Taupe Gray, Platter, Clay, Gray Black, Solid Black & Matte Black. OSMO colors also carry an added surcharge. See price list for full details of each.

*** Color ND110, ND114 and All OSMO colors is a special stain that enhances the wood grain and therefore the final product may appear different than the sample due to natural variations found in wood.

Cheat Sheet for Ultimate Normandy Blinds

Headrail	PolyDeco Headrail									
Tilt & Lift System	Wand Tilt									
	Cordless lift									
Size Considerations	<table border="1"> <thead> <tr> <th></th> <th>Min</th> <th>Max</th> </tr> </thead> <tbody> <tr> <td>Blind Width</td> <td>6 ½"</td> <td>96" (top mount) 37" (side mount)</td> </tr> <tr> <td>Blind Height</td> <td>16"</td> <td>96"</td> </tr> </tbody> </table>		Min	Max	Blind Width	6 ½"	96" (top mount) 37" (side mount)	Blind Height	16"	96"
	Min	Max								
Blind Width	6 ½"	96" (top mount) 37" (side mount)								
Blind Height	16"	96"								
Max Area Limitations	48 SQFT									
Side Mount Brackets	Yes (not available for shallow mounting)									
Control Location Option	Yes (Optional Wand: Right)									
Control Size Options	6 Wand Sizes: 11 ¾", 17 ¾", 29 ¾", 38 ¼", 47 ¼", 60"									
Colors	26 Colors – 8 Paint, 8 Stain, 10 OSMO									
Valance Options	No Valance (Default) Options: 3 ¼" Designer Crown & 2 ½" Contempo									
Cloth Tapes	No									
Common Valance/ Keystone	Yes									
2 on 1	No									
Cut Out	Yes									