

Mariak

1", 2" & 2 ½" Custom Faux Wood Horizontal Blinds

August 2020, updated February 2021

Horizontal Blind Measuring & Ordering Instructions

Selecting the Type of Mounting:

Determine whether the blind is going to be installed inside the window frame (IB) or outside the window frame (OB).

Inside Mount (IB):

Inside mount installations are often preferred because the blinds take up less space in the room.

Measuring the Width and the Length for Inside Mount:

For the width, measure across the top, middle, and bottom of the window opening. Using the narrowest dimension, measure to the nearest $\frac{1}{8}$ ".

For the length, measure the up and down dimension on the left, center, and right. Use the longest length measurement, measuring to the nearest $\frac{1}{8}$ ".

Do not make any width deductions. The factory will make any appropriate deductions ($\frac{1}{2}$ " standard deduction on width for inside mount).

Outside Mount (OB):

Outside mount installations are mounted on the wall or on the window molding. It is best to overlap the window opening at least $1\frac{1}{2}$ " on each side when measuring for horizontal blinds.

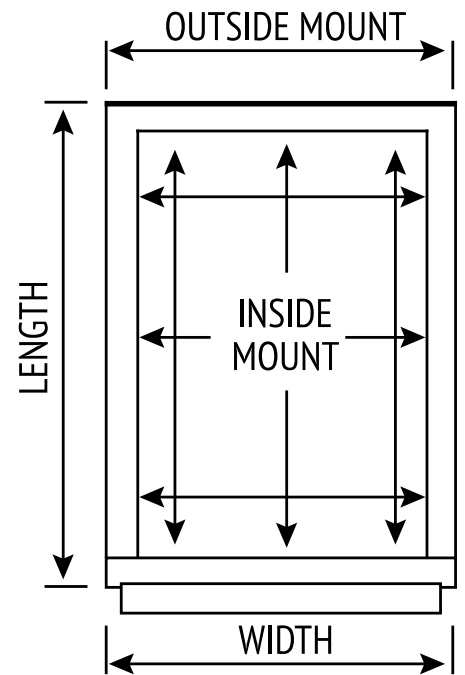
Measuring the Width and the Length for Outside Mount:

Measure the area that the blind is to cover. For horizontal blinds it is recommended to overlap the window opening by at least $1\frac{1}{2}$ " on each side for a total of 3 ". To allow for enough space for the mounting brackets and to cover the bottom of the window, the suggested overlap for a horizontal blind is at least 3 " ($1\frac{1}{2}$ " above the window opening and $1\frac{1}{2}$ " below the opening). If the window opening has a sill, measure from where the top of the blind will be located to the top of the windowsill.

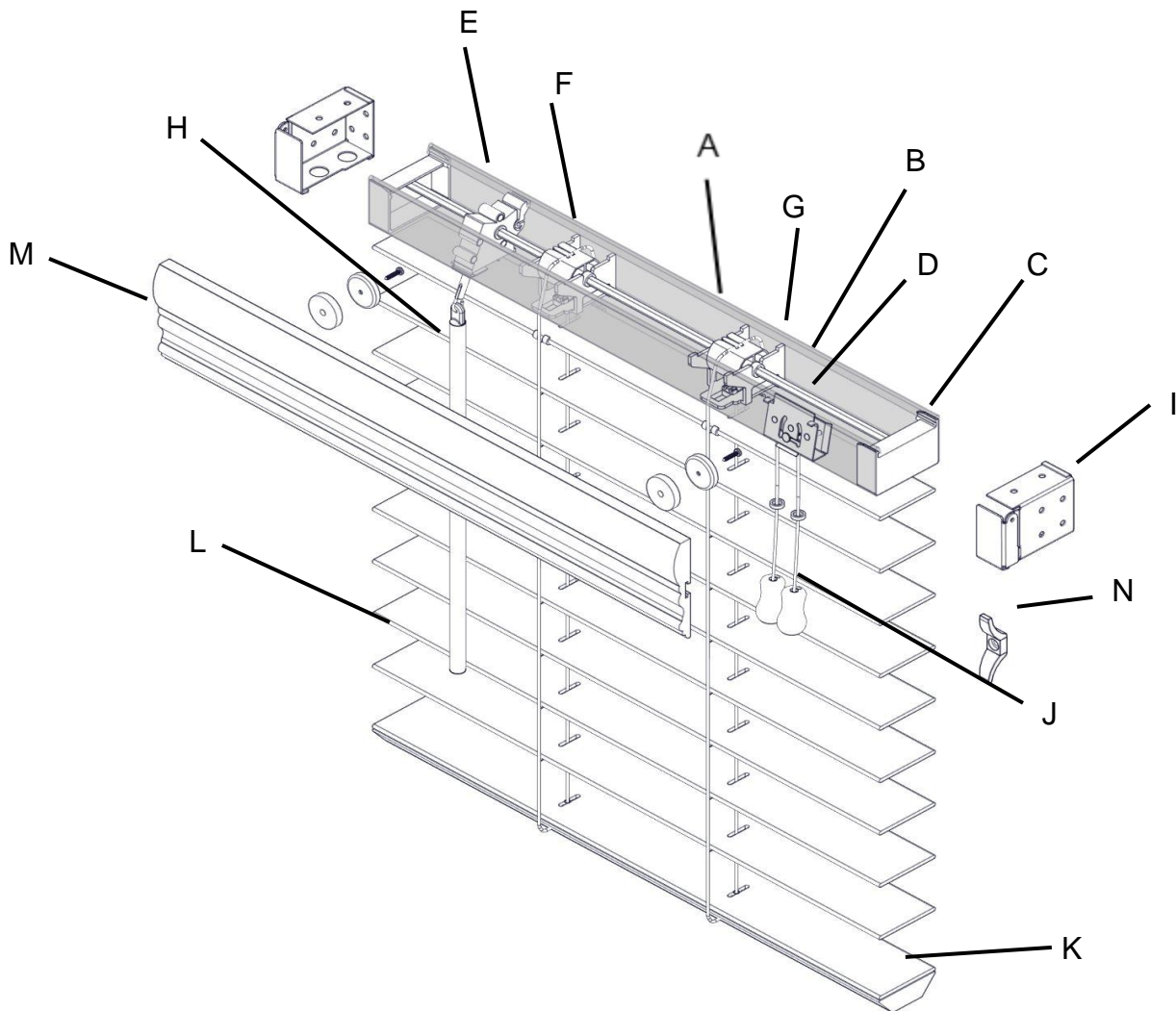
Note: When outside mount blinds are specified, no factory deductions are taken.

Confirming Measurements:

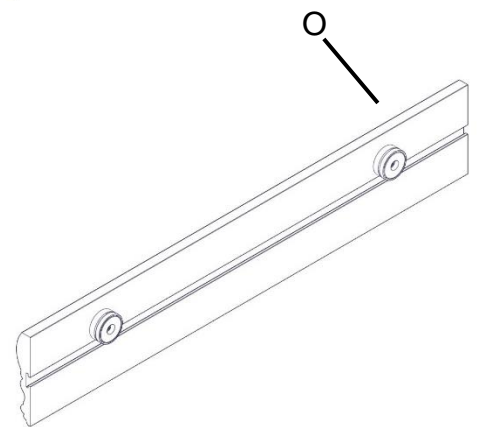
The most common error in ordering blinds is reversing the width and the length measurements. Always confirm that the width is the measurement that goes across from left to right and that the length is the measurement that goes from top to bottom. List the width measurement first (W x L).



2" & 2 1/2" Faux Wood Horizontal Blinds



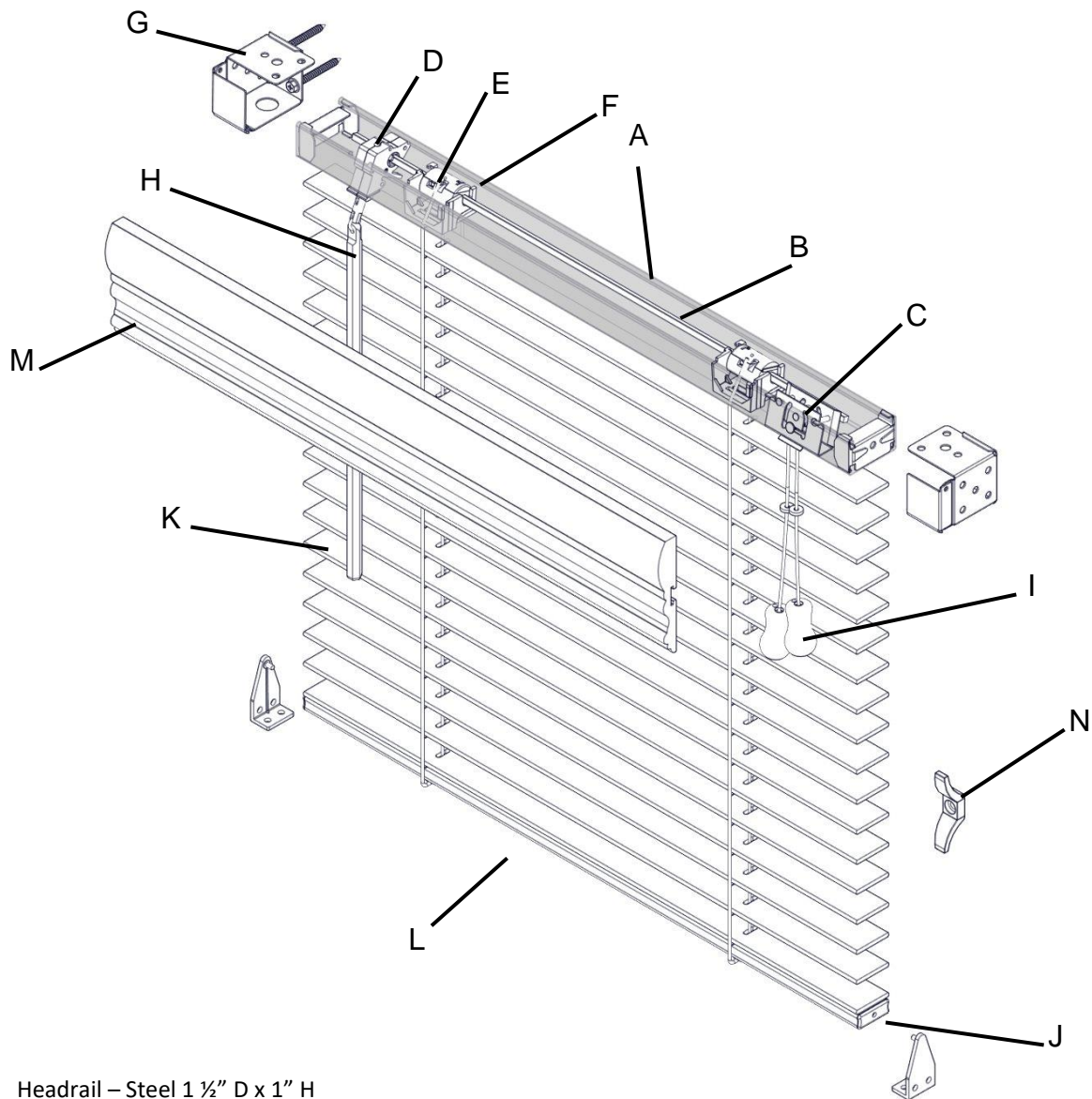
- A) Low Profile Headrail – Steel 1 1/2" H x 2" D
- B) Pinion Rod (Tilt Rod)
- C) End Stiffeners
- D) Cord Lock
- E) Wand Tilter Standard, Cord Tilter Optional
- F) Tape Drum (Ladder Drum)
- G) Tape Drum Support (Cradle)
- H) Wand
- I) Box Bracket
- J) Cord Tassels
- K) Bottomrail – Trapezoid
- L) Slats – 2" or 2 1/2" Flat Faux Wood
- M) Royal Valance – Standard
- N) Cord Cleat
- O) Magnetic Valance Clips - Optional



Not Shown - Hold down brackets — optional, available upon request at time of order
 - Faux Wood Urban Valance – optional, no charge valance

Mariak

1" Faux Wood Horizontal Blind



- A) Headrail – Steel 1 ½" D x 1" H
- B) Pinion Rod (Tilt Rod)
- C) Cord Lock
- D) Wand Tilter Standard
- E) Tape Drum (Ladder Drum)
- F) Tape Drum Support (Cradle)
- G) Box Brackets
- H) Wand
- I) Cord Tassels
- J) Bottomrail End Caps
- K) Slat
- L) Bottomrail – Rectangular
- M) Royal Valance – Standard
- N) Cord Cleat

Not Shown - Faux Wood Urban Valance – optional, no charge valance

Color Assortment

Custom Faux Wood Color Assortment					
Colors Available	1"	2"	2" Cordless	2 ½"	2 ½" Cordless
100 - Bright White Smooth	Yes	Yes	Yes	Yes	Yes
102 - Bright White Sandblast	-	Yes	Yes	-	-
105 - Bright White Textured	-	Yes	Yes	-	-
110 - Snow White Smooth	Yes	Yes	Yes	Yes	Yes
112 – Snow White Sandblast	-	Yes	Yes	Yes	Yes
115 - Snow White Textured	-	Yes	Yes	-	-
120 - Pearl White Smooth	Yes	Yes	Yes	Yes	Yes
122 - Pearl White Sandblast	-	Yes	Yes	Yes	Yes
125 – Pearl White Textured	-	Yes	Yes	-	-
130 - Oyster White Smooth	Yes	Yes	Yes	Yes	Yes
132 -Oyster White Sandblast	-	Yes	Yes	-	-
135 - Oyster White Textured	-	Yes	Yes	-	-
142 - Birch Sandblast	-	Yes	Yes	-	-
152 - Natural Sandblast	-	Yes	Yes	-	-
155 - Natural Textured	-	Yes	Yes	Yes	Yes
162 - Maple Sandblast	-	Yes	Yes	-	-
165 - Maple Textured	-	Yes	Yes	Yes	Yes
172 - Cherry Sandblast	-	Yes	Yes	-	-
175 - Cherry Textured	-	Yes	Yes	Yes	Yes
180 - Glacier Grey Smooth	Yes	Yes	Yes	Yes	Yes
9180 - Lead RealGrain	Yes	Yes	Yes	Yes	Yes
9250 - Bamboo RealGrain	Yes	Yes	Yes	Yes	Yes
9251 - Natural RealGrain	Yes	Yes	Yes	Yes	Yes
9252 - Maple RealGrain	Yes	Yes	Yes	Yes	Yes
9253 - Pecan RealGrain	Yes	Yes	Yes	Yes	Yes
9254 - Oak RealGrain	Yes	Yes	Yes	Yes	Yes
9256 - Chestnut RealGrain	Yes	Yes	Yes	Yes	Yes
9257 - Mahogany RealGrain	Yes	Yes	Yes	Yes	Yes
9258- Dark Walnut RealGrain	Yes	Yes	Yes	Yes	Yes
9259 - Cinnamon RealGrain	Yes	Yes	Yes	Yes	Yes

Product Specifications

- All blinds come standard with Wand Tilt (Cord Tilt optional; Cord Tilt not available with cordless lift system or 1" Faux Wood)
 - Lift cord and Tilt cord length will be $\frac{1}{3}$ the blind length. Special cord lengths are available upon request at time of order.
- $\frac{1}{2}$ " deduction taken on all Inside Mount blinds
- Maximum distance between cord ladders on Faux Wood blinds = 11" spacing
- Light gap between blinds for 2 on 1 or 3 on 1 is $\frac{1}{4}$ " for standard route and cordless and $\frac{1}{2}$ " for routeless
- 3 on 1 only available on 2" cordless option
- Slat alignment cannot be guaranteed
- Privacy cloth tape available on 2"

Privacy Cloth Tape Colors	
001 Fawn	100 White
002 Dark Beige	105 Duck White
005 Chocolate	430 Butternut
006 Black	504 Guacamole
007 Mulberry	685 Deep Blue
	822 Pewter

- **2" Faux Wood Horizontals:**
 - Minimum Width = 8" exact
 - Blinds less than 11" in width must have a center tilt mechanism with NO Lift control
 - Blinds less than 18" and greater than $11\frac{1}{8}$ " must have split controls (Standard – Left/Right or Reverse – Right/Left)
 - Blinds greater than 18" may have same side control or split controls
 - Maximum Width = 96" (120" multiple blinds on one headrail)
 - See price grid for single blind size restrictions
 - Minimum Height = 12"
 - Maximum Height = 120"
 - Mounting Depth Requirements
 - Minimum depth = $\frac{3}{4}$ "
 - Minimum flush mount without valance = $2\frac{1}{4}$ "
 - Minimum flush mount with valance = $3\frac{1}{2}$ "
- **$2\frac{1}{2}$ " Faux Wood Horizontals:**
 - Minimum Width = 8" exact
 - Blinds less than 11" in width must have a center tilt mechanism with NO Lift control
 - Blinds less than 18" and greater than $11\frac{1}{8}$ " must have split controls (Standard – Left/Right or Reverse – Right/Left)
 - Blinds greater than 18" may have same side control or split controls
 - Maximum Width = 96" (120" multiple blinds on one headrail)
 - See price grid for single blind size restrictions
 - Minimum Height = 12"
 - Maximum Height = 120"
 - Mounting Depth Requirements
 - Minimum depth = $\frac{3}{4}$ "
 - Minimum flush mount without valance = $2\frac{1}{4}$ "
 - Minimum flush mount with valance = $3\frac{1}{2}$ "

Product Specifications

- **1" Faux Wood Horizontals:**
 - Minimum Width = 8" exact
 - Blinds less than 9" in width must have a center tilt mechanism with NO Lift control
 - Blinds less than 14" and greater than 9" must have split controls (Standard – Left/Right or Reverse – Right/Left)
 - Blinds greater than 14" may have same side control or split controls
 - Maximum Width 96" exact
 - See price grid for single blind size restrictions
 - Minimum Height = 12"
 - Maximum Height = 96"
 - Mounting Depth Requirements
 - Minimum depth = 3/4"
 - Minimum flush mount without valance = 1 7/8"
 - Minimum flush mount with valance = 2 3/8"
 - 1" Faux Wood Blinds are **NOT** available with Routeless, Cloth Tape or Cord Tilt options
- **2" & 2 1/2" Cordless Faux Wood Cordless Lift System (CLS):**
 - See Horizontal Blinds Assortment for availability
 - Bottomrail will be INVERTED to allow the profile to act as a lifting device; no handle attachment is available.
 - Minimum Width = 18" exact
 - Maximum Width = 96" exact
 - Minimum Height = 18"
 - Maximum Height = 72"
 - Mounting Depth Requirements
 - Minimum depth = 3/4"
 - Minimum flush mount without valance = 2 1/4"
 - Minimum flush mount with valance = 3 1/2"
 - Wand-Tilt Control Only (Cord tilt is NOT available with CLS)
 - 2-on-1 Headrail, see Option Pricing for surcharge
 - 3-on-1 Headrail, see Option Pricing for surcharge
 - Cloth Tape NOT Available with Cordless Lift System
 - Routless NOT available Cordless Lift System

Control Location Option:

Standard:	Tilter Left/Lift Cords Right
Reverse:	Tilter Right/Lift Cords Left
Same Left:	Tilter Left/Lift Cords Left
Same Right:	Tilter Right/Lift Cords Right
Blinds less than 11" in width must have center tilt mechanism	
Blinds less than 18" and greater than 11 1/8" must have split controls	

Same side controls not available with Cloth Tapes

Wand Selection Chart:

Blind Drop	Wand Length
30" or Less	12"
30 1/8" – 72"	24"
72 1/8" – 91"	30"
91 1/8" – 109"	36"
109 1/8" or Greater	48"

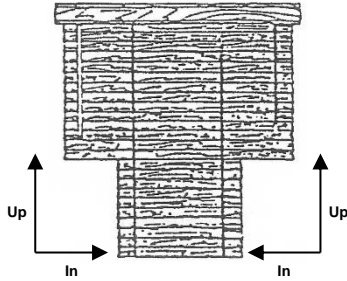
Stacking Height:

Blind Drop	Total Stack Thickness
24"	5"
36"	6"
48"	7"
60"	9"
72"	9 1/2"
84"	10 1/2"
96"	12 1/2"
108"	13 1/2"
120"	15"

Mariak

Cutouts Specifications:

A drawing with the necessary cutout dimensions is required. The maximum cut in width is 4 ½". **Not available with cordless lift option**

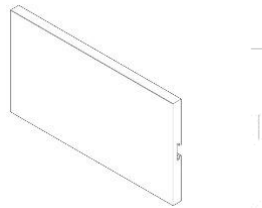


Decorative Valances

- 3 ¼" decorative Royal valance is *standard* with Faux Wood blinds.
- 3 ¼" Urban Valance no charge option.
- Maximum width on a single valance is 9'; valance will not be spliced. A "flush-cut" on one end can be requested so that two valances can be butted together; note there will be a visible seam.
- Valance returns are included for all Inside Mount and Outside Mount Faux Wood blinds.
- Returns:
 - Inside Mount (IB) = 1 ¼" Outside Dimensions
 - Outside Mount (OB) = 3 ½" Outside Dimensions



**3 ¼" Royal Valance
Standard**



**3 ¼" Urban Valance
No charge option**

Mariak
575 West Manville Street
Rancho Dominguez, CA 90220
800.562.7425

(Item #90-99-300-20 v1)