



# SmartPrivacy<sup>®</sup> Faux Wood Blinds

## PROGRAM REFERENCE GUIDE



Date	Revision
<p>Effective 11/15/2022</p>	<p><u>General Updates</u></p> <ul style="list-style-type: none"> <li>- Updated size considerations to max 72" x 84"; min width 20"</li> <li>- Updated color availability to 6 colors</li> <li>- Removed the following options: cut-outs, common valances, valance joinery and keystones, side-by-side/stacked blinds, wand size and wand location override options, and returns on the left or right only.</li> </ul> <p><a href="#">Pg. 7:</a> Updated size considerations  <a href="#">Pg. 8:</a> Updated color availability  <a href="#">Pg. 9:</a> Updated wand standard; Added wand spacing notes  <a href="#">Pg. 10:</a> Added custom valance size notes and hardware notes  <a href="#">Pg. 11:</a> Updated return location notes and drawings</p>
<p>Effective 7/1/2023</p>	<p><a href="#">Pg. 7:</a> Updated size considerations  <a href="#">Pg. 8:</a> Updated estimated stack height  <a href="#">Pg. 9:</a> Updated wand standard</p>
<p>Effective 8/2/2023</p>	<p><a href="#">Pg. 10:</a> Adding valance only option</p>

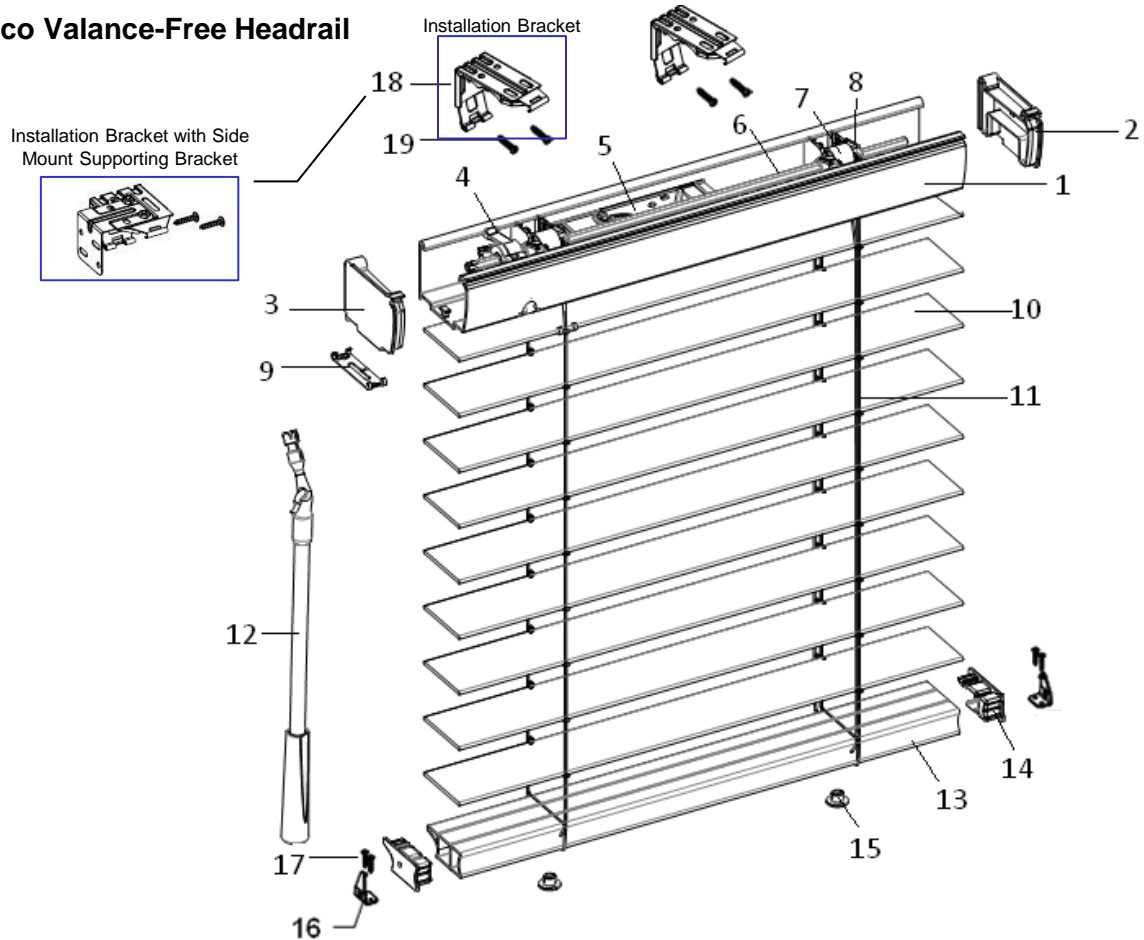


	Page
Terminology	4
Features	5
Color Availability	6
General Specifications	7 – 9
Additional Options & Hardware	10
Mounting Requirements	11

## Terminology

### Performance Cordless Faux Wood Blind with Wand Tilt

#### PolyDeco Valance-Free Headrail



Description					
1	PolyDeco Headrail	8	Drum Support	15	Bottom Rail Button
2	Headrail End Cap (Right)	9	Slat Clip	16	Hold Down Bracket (Default for widths ≤ 30"; Optional for blind widths over 30")
3	Headrail End Cap (Left)	10	Slat		
4	Wand Tilter	11	Ladder	17	3/4" Screw (For hold down bracket)
5	Spring Box	12	Wand (PVC)	18	Installation Bracket
6	Tilt rod	13	Trapezoid Bottom Rail	19	1 1/4" Screw (For Installation bracket)
7	Drum	14	Bottom Rail End Cap		

### Features & Benefits

- Award winning SmartPrivacy® seals light gaps with slat-to-slat coverage
- Smooth, reliable Performance cordless lift system. Wand tilt for child and pet safety
- Covers a large range of sizes
- 2" & 2 ½" slat sizes available in all colors
- Light-weight, co-extruded slats with 125° heat deflection
- Impact resistant, modern, valance-free Polyeco headrail
- Engineered trapezoid bottom rail allows for easy grasping

### Options

- Optional Valances Designer Crown & Modern Curved
- Side mount brackets
- Hold Down Brackets
- Shims



## Color Availability

No.	Color	Color Type	Finish	Slat Size	
				2" Slat	2.5" Slat
1	Pure White P001	Solid	Embossed	✓	✓
2	Pure White P001	Solid	Smooth	✓	✓
3	Designer White E008	Solid	Smooth	✓	✓
4	Silk White P003	Solid	Smooth	✓	✓
5	Pearl P006	Solid	Smooth	✓	✓
6	Mist 6957	Printed	Embossed	✓	✓

## General Specifications

### Size Considerations

Single blind	Min	Max	Max Area
<b>Blind Width (Net)</b>	16 1/2"	72" (Top Mount)/ 37" (Side Mount*)	48 sq ft
<b>Blind Height</b>	24"	96"	

\* Side mount brackets are available for all widths (IB). For widths over 37" top mount brackets are required and will be provided to be used in conjunction with side mount brackets.

\*Please note that on SmartPrivacy™ Cordless Faux Wood Blinds with widths less than 24", the bottom rail may not be level.

### Standard Deductions

#### Inside Mount:

Blind Width= Ordered Width – 3/8" \*

Blind Height= Ordered Height

#### Outside Mount:

Ordered Width = Blind Width

Ordered Height= Blind Height

#### Tolerance:

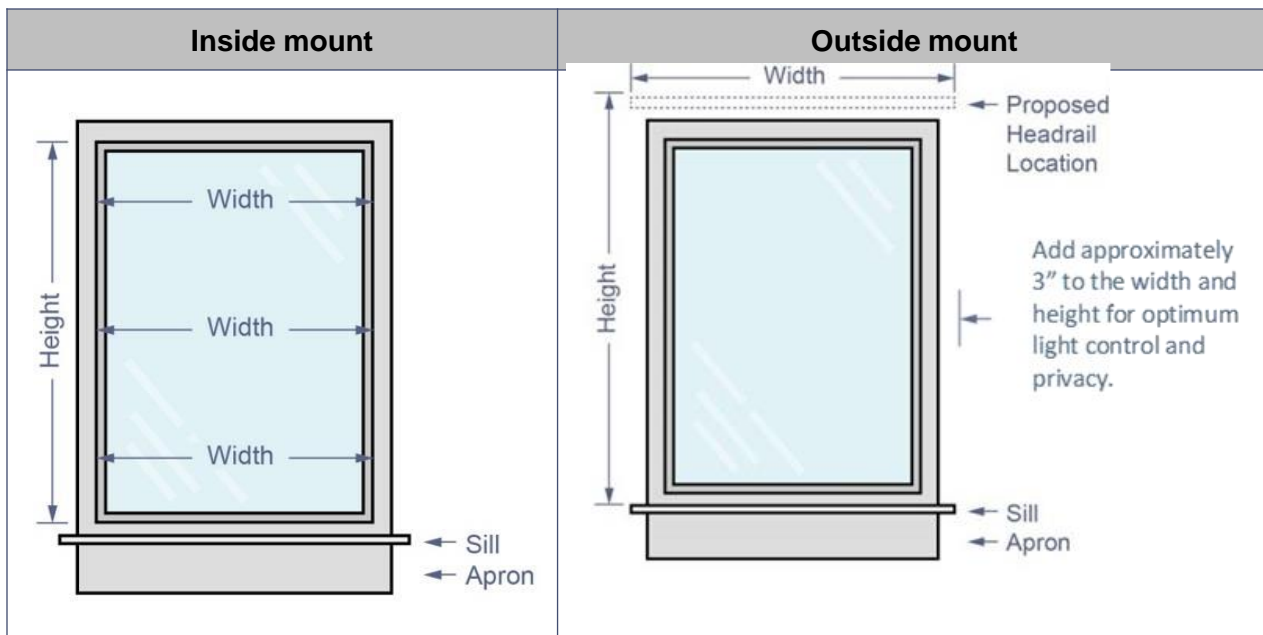
Blind Width may vary  $\pm 1/8$ "

Blind Height may vary +0~2 1/4" for **2" blinds**, and +0~2 3/4" for **2 1/2" blinds**.

#### Measurements:

Blind width: Measure from the left end to the right end of the slat.

Blind height: Lower the blind completely, then measure from the top of the headrail to the bottom of the bottom rail with slats in an open position.



## General Specifications

### Estimated Stacking Heights

Blind Height	2" Slat Qty	2" Slat Stacking Height (in inches)		2.5" Slat Qty	2.5" Slat Stacking Height (in inches)	
		Solid Color	Printed Color		Solid Color	Printed Color
30"	16	6.08	6.20	12	5.56	5.65
36"	19	6.47	6.62	15	5.95	6.07
42"	23	6.99	7.17	18	6.34	6.48
48"	26	7.38	7.58	20	6.60	6.76
54"	30	7.90	8.13	23	6.99	7.17
60"	33	8.29	8.55	26	7.38	7.58
66"	37	8.81	9.10	28	7.64	7.86
74"	41	9.33	9.65	32	8.16	8.41
78"	43	9.59	9.93	34	8.42	8.69
84"	47	10.11	10.48	36	8.68	8.96
90"	50	10.50	10.89	39	9.07	9.37
96"	53	10.89	11.30	42	9.46	9.79

\*The above tables are estimated calculations based on the stacking height before installation. Actual stacking heights may vary. This info cannot be used for RGA purposes.

### Ladder Chart

Blind Width (Net)	# of Ladders	# of Inner Cords
$X \leq 24"$	2	4
$24" < X \leq 37"$	3	4 or 5
$37" < X \leq 50"$	4	4
$50" < X \leq 63"$	5	5
$63" < X \leq 72"$	6	6

Note: Number of ladders may vary if the blind order is close to the maximum width of that range.

### Hardware

Blind Width (Net)	Installation Bracket qty
$X \leq 37"$	2
$37" < X \leq 47"$	3
$47" < X \leq 72"$	4

Optional Valances	Valance Return Connector qty
3 1/4" Designer Crown Valance	4
2 1/2" Modern Curved Valance	2

Blind Width (Net)	Valance Clip qty
$X \leq 37"$	2
$37" < X < 60"$	3
$60" \leq X \leq 72"$	4

Screws	Quantity
1 1/4" Screw	Installation bracket qty x 2
2" Screw (with spacer)	Installation bracket qty x 2
3/4" Screw	Hold down bracket qty x 2
M4 Nut & Bolt	4 (for Side Mount only)

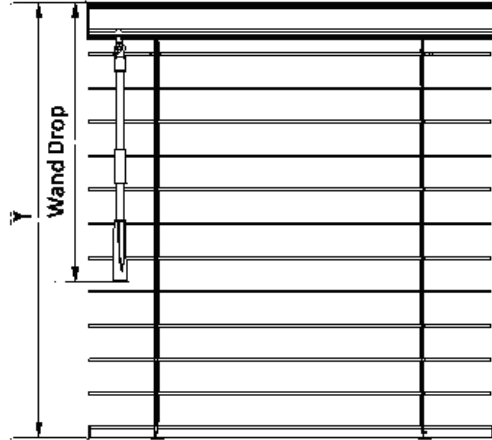
Optional Hold Down Bracket Qty	#6x3/4" Screw Qty
2	4



## General Specifications

### Wand Standard

- The standard wand location is on the left
- Wand Drop** is measured from the top of the headrail, to the bottom of the wand grip when slats are in a level opened position. Wand drop is not the height of the wand. The wand drop sizes come standard based on the ordered blind size. **A non-standard wand drop can be selected to manually override this.**



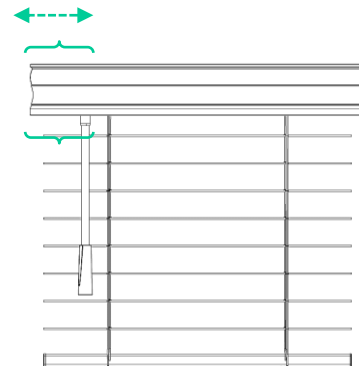
- Wand Drop Sizes:
  - Standard** wand drop size is the default size for a blind at the given height; 5 sizes are available.
  - Optional** wand drop sizes can be selected from the 5 sizes available 11 3/4", 17 3/4", 29 3/4", 38 1/4" & 47 1/4"

Net Blind Width (X)	Blind Height (Y)	Standard Wand Drop	Tolerance
All	$Y \leq 36"$	11 3/4"	-1" ~ +1"
	$36" < Y \leq 48"$	17 3/4"	
	$48" < Y \leq 72"$	29 3/4" *	
	$72" < Y \leq 96"$	38 1/4" *	

- Wands will be pieced accordingly:
  - 11 3/4" & 17 3/4" wand will come as one piece
  - 29 3/4" & 38 1/4" wands may come in a 2-piece design
  - 47 1/4" wand will come in a 2-piece design**



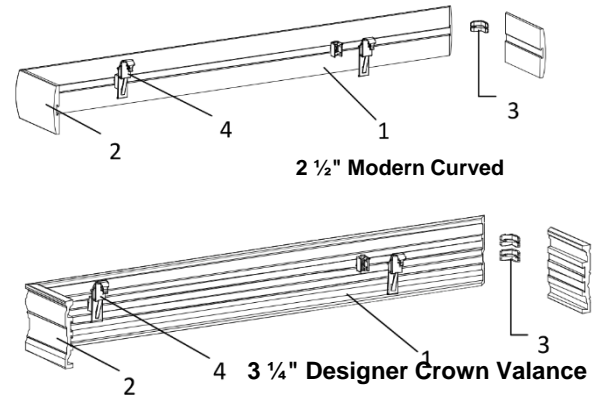
- Wand Spacing
  - Please note that multiple blinds produced at the same width may not share the same wand placement. The space/distance from the end of the headrail may vary. This is part of the new simplified program and is not considered a production error.



## Options & Hardware

### Valances

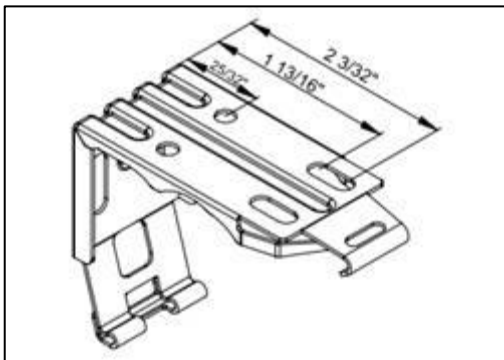
- Standard: No Valance
- Optional: 2 ½" Modern Curved & 3 ¼" Designer Crown Valance
- \*Color availability: Valance color will match slat color.
- Custom Valance Size:
  - Maximum order width for a custom valance size is 5" wider than the ordered blind width.
- When ordering a valance only, the valance will be split equally when the inner dimension of an individual piece exceeds 96" (custom split not available). Standard valance connector will be used by default (keystone not available). Max inner length for valance only = 384"



	Description
1	Valance
2	Valance Return
3	Valance Return Joinery
4	Adjustable Valance Clip Set

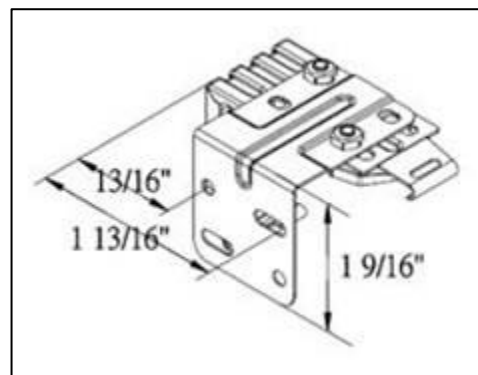
Mount Type & Return Option	Standard Valance Width	Custom Valance Width Maximum
IB with No Returns	Net Blind Width + 1/4"	Net Blind Width + 5"
IB with Returns	Net Blind Width + 5/8"	
OB	Net Blind Width + 1"	

### Installation Bracket



### Side Mount Installation (IM only)

Includes installation bracket, plus side mount supporting bracket.



### Hold Down Bracket

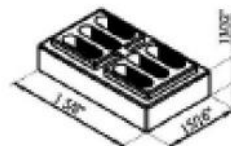
For 2" and 2.5"

- Default for widths ≤ 30"
- Optional for widths over 30"



### Spacer (OM only)

Offers a 3/8" extension outwards from the wall. Two spacers can be stacked to allow for a 11/16" extension.



## Mounting Requirement

### Minimum Depth Requirements and Valance Returns

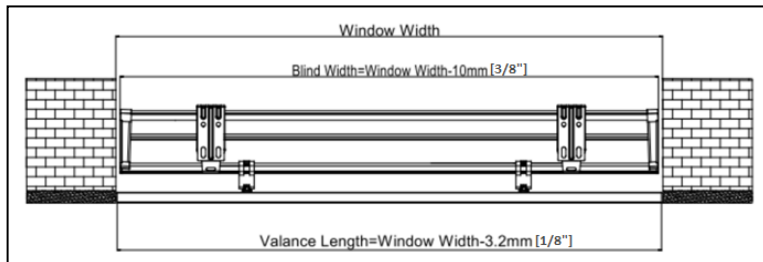
- Valance return locations: both left and right returns
- Standard or custom sizes available
  - Custom valance return size: minimum ½" and maximum 5"

### Inside Mount

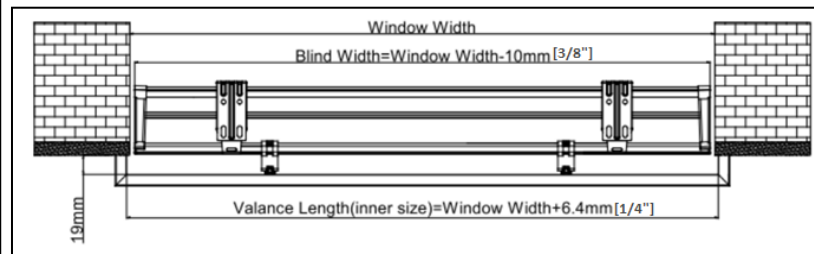
Blind/Valance Type	Fully Recessed IB	Semi-IB with bracket flush to wall	Semi-IB Minimum Mounting Depth
2" & 2 ½" Blinds with No Valance	2 13/16"	N/A	1 ½"
2" & 2 ½" Blind with Modern Curved Valance	3 7/8"	2 7/8" *Valance return size: 3/4"	1 5/8" *Valance return size: 2"
2" & 2 ½" Blind with Designer Crown Valance	4 1/16"	2 7/8" *Valance return size: 3/4"	1 5/8" *Valance return size: 2"

### Outside Mount

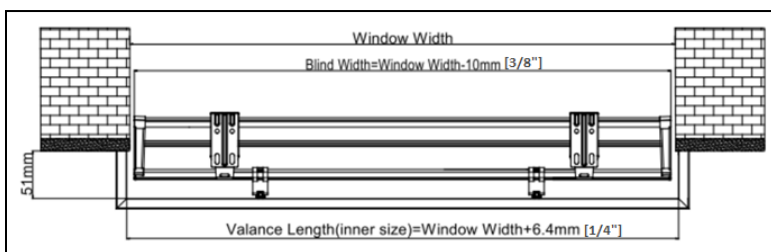
Blind/Valance Type	OB return size
2" & 2 ½" Blinds with any valance	Valance return size: 3 9/16"



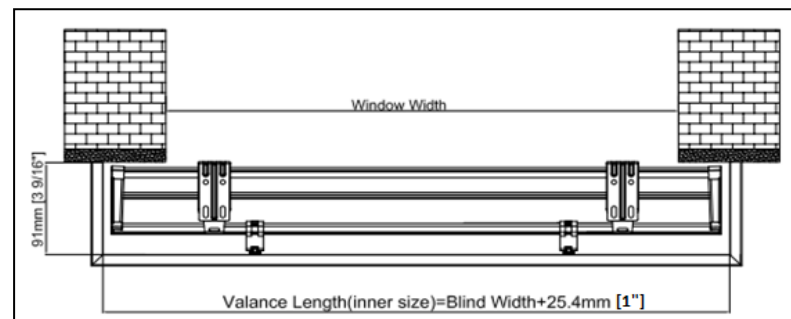
Fully IB



Semi-IB with bracket flush to wall with 3/4" valance return



Semi-IB min mounting depth with 2" valance return



OB