



ULTIMATE[™]
F A U X W O O D
PROGRAM REFERENCE GUIDE

Revision Log



Date	Revision
5/5/2022	Pg. 9: Updated keystone spacing requirements
6/15/2022	<u>General Update:</u> 2" slats now available for Ultimate™ Faux Wood Pg. 14: Added 2" slat color availability Pg. 11: Updated cut-out rules

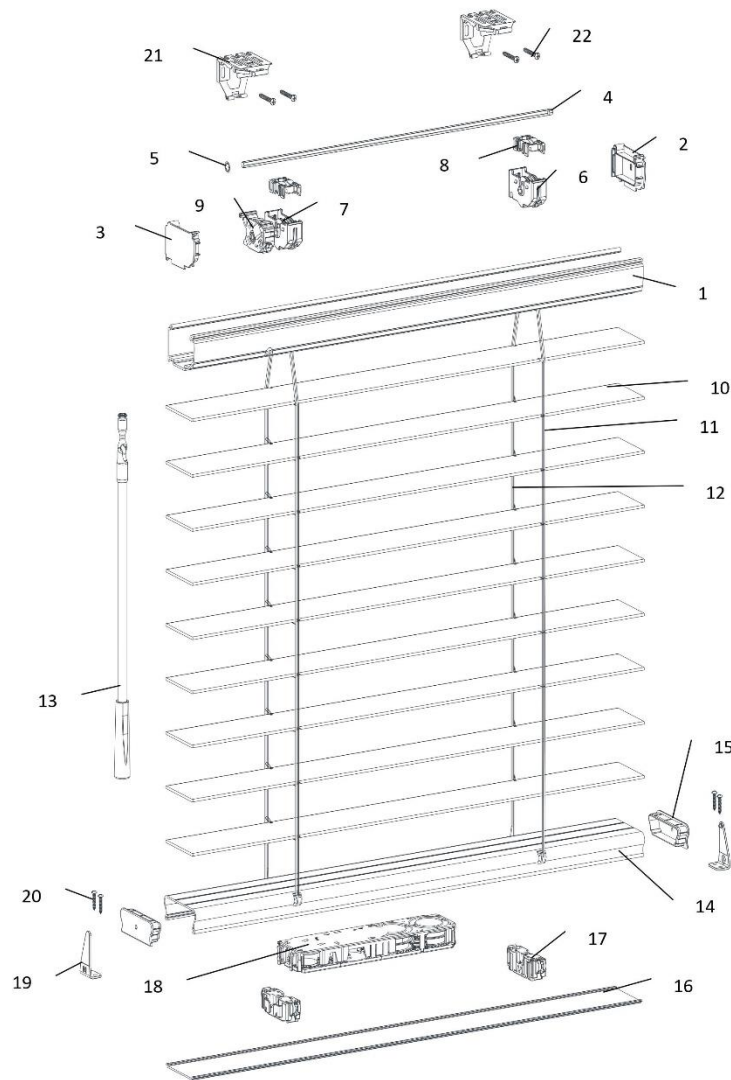


	Page
Terminology	4
Features and Benefits	5
General Specifications	6 – 7
Mounting Requirements	8
Options	9 – 11
Hardware	12
Operating Your Cordless Blind	13
Color Availability	14

Terminology

Ultimate™ Cordless Faux Wood Blind – 2" & 2 ½" Slat

Valance-free Headrail with Wand Tilt



Description					
1	PVC Headrail	8	Drum Cap	15	Bottom Rail End Cap
2	Headrail End Cap (Right)	9	Wand Tilter	16	Bottom Rail Cover
3	Headrail End Cap (Left)	10	Slat	17	Cord Guide
4	Tilt Rod	11	Ladder	18	Spring Box
5	Ring Stopper	12	Inner Cord	19	Hold Down Bracket
6	Headrail Drum Support	13	Wand	20	Hold Down Bracket Screw
7	Drum	14	Bottom Rail	21 & 22	Installation Bracket & Screw

Features & Benefits

Features

- Pivoting bottom rail helps block light beneath the blind
- Industry-leading closure and privacy with SmartPrivacy®
- Self-leveling technology virtually eliminates lopsided lifting
- “Best for Kids” cordless for safety and convenience
- Valance-free Poly Deco headrail with built in light block



Options

- 16 colors and finishes
- Optional Valances Designer Crown & Modern Curved
- Valance Keystones
- Optional Wand Sizes
- Control Locations — Left or Right
- Common Valance
- Cut-outs
- Side Mount



General Specifications

Size Considerations

Single Blind	Min	Max	Max SQFT
Width (Net)	6 ½"	96" 37" (Side Mount)	48 SQFT *
Height	16"	96"	24.6 SQFT (Side Mount)

- * The overall max blind size is limited by the maximum area; max width by max height cannot be ordered as one blind.
- Side mount brackets are available for all widths (IB). For widths over 37" top mount brackets are required and will be provided to be used in conjunction with side mount brackets.
- Blinds under 15" width have no lift function with tilting wand at the center

Standard Deductions

Inside Mount:

Blind Width = Ordered Width – 3/8" *

Blind Height = Ordered Height

Outside Mount:

Ordered Width = Blind Width

Ordered Height = Blind Height

Tolerance:

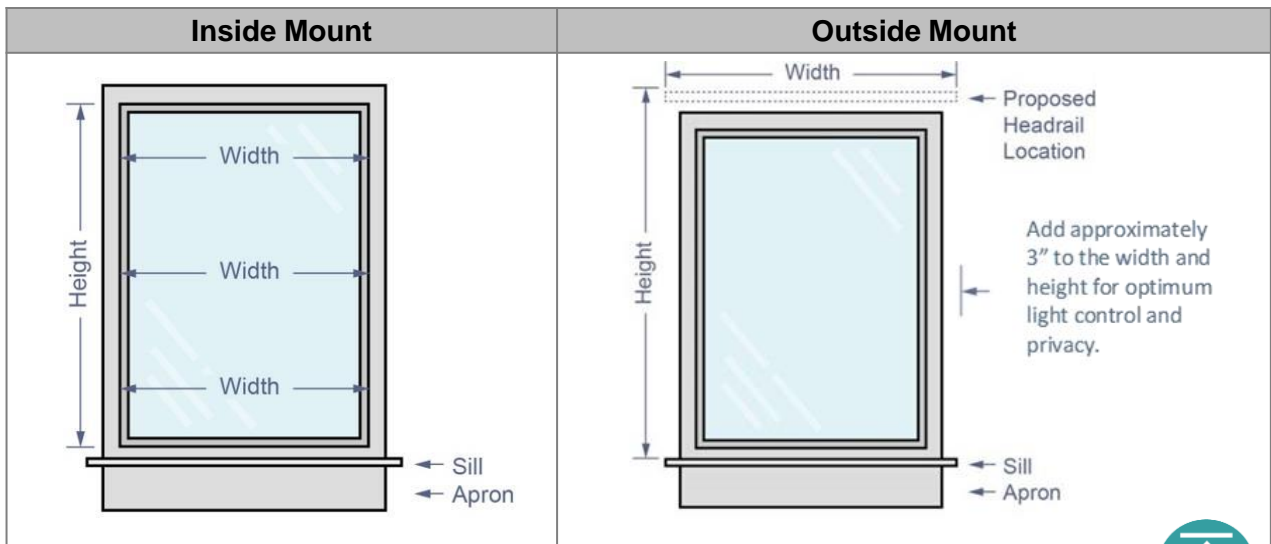
Blind Width may vary $\pm 1/8"$

Blind Height may vary $+0\sim 2\ 3/4"$

Measurements:

Blind width: Measure from the left end to the right end of the slat.

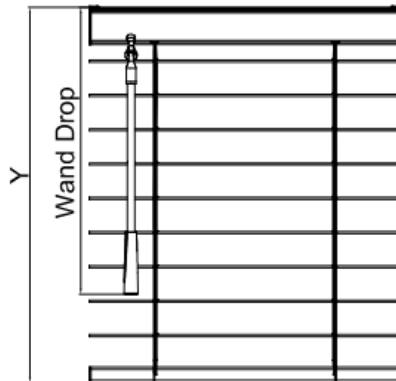
Blind height: Lower the blind completely, then measure from the top of the headrail to the bottom of the bottom rail with slats in an open position.



General Specifications

Wand Drop Standard

- **Wand Drop** is measured from the top of the headrail, to the bottom of the wand grip when slats are in a level opened position. Wand drop is not the height of the wand.



- Wand Control Location

Control Location		Blind Width (X)
Default for small blinds	Center	$6 \frac{1}{2}'' \leq X < 15''$
Default	Left	$X \geq 15''$
Optional	Right	

- Wand Drop Sizes:

- **Standard** wand drop size is the default size for a blind at the given height; 4 sizes available.

Net Blind Width (X)	Blind Height (Y)	Standard Wand Drop Size	Tolerance
All	$Y \leq 36''$	11 $\frac{3}{4}''$	-1" ~ +1"
	$36'' < Y \leq 48''$	17 $\frac{3}{4}''$	
	$48'' < Y \leq 72''$	29 $\frac{3}{4}''$	
	$72'' < Y \leq 96''$	38 $\frac{1}{4}''$	

- **Optional** wand drops can be selected from the 6 sizes available

- 11 $\frac{3}{4}''$, 17 $\frac{3}{4}''$, 29 $\frac{3}{4}''$, 38 $\frac{1}{4}''$ & 47 $\frac{1}{4}''$, 60"
- The wands will be pieced accordingly:
 - 11 $\frac{3}{4}''$ & 17 $\frac{3}{4}''$, 29 $\frac{3}{4}''$ & 38 $\frac{1}{4}''$ wands will come as one piece
 - 47 $\frac{1}{4}''$ and 60" wands will come in a 2-piece design



- Common Valance Wands: For blinds under a common valance, both wands will be default to the standard size on the smallest blind.

Mounting Requirement

Minimum Depth Requirements and Valance Returns

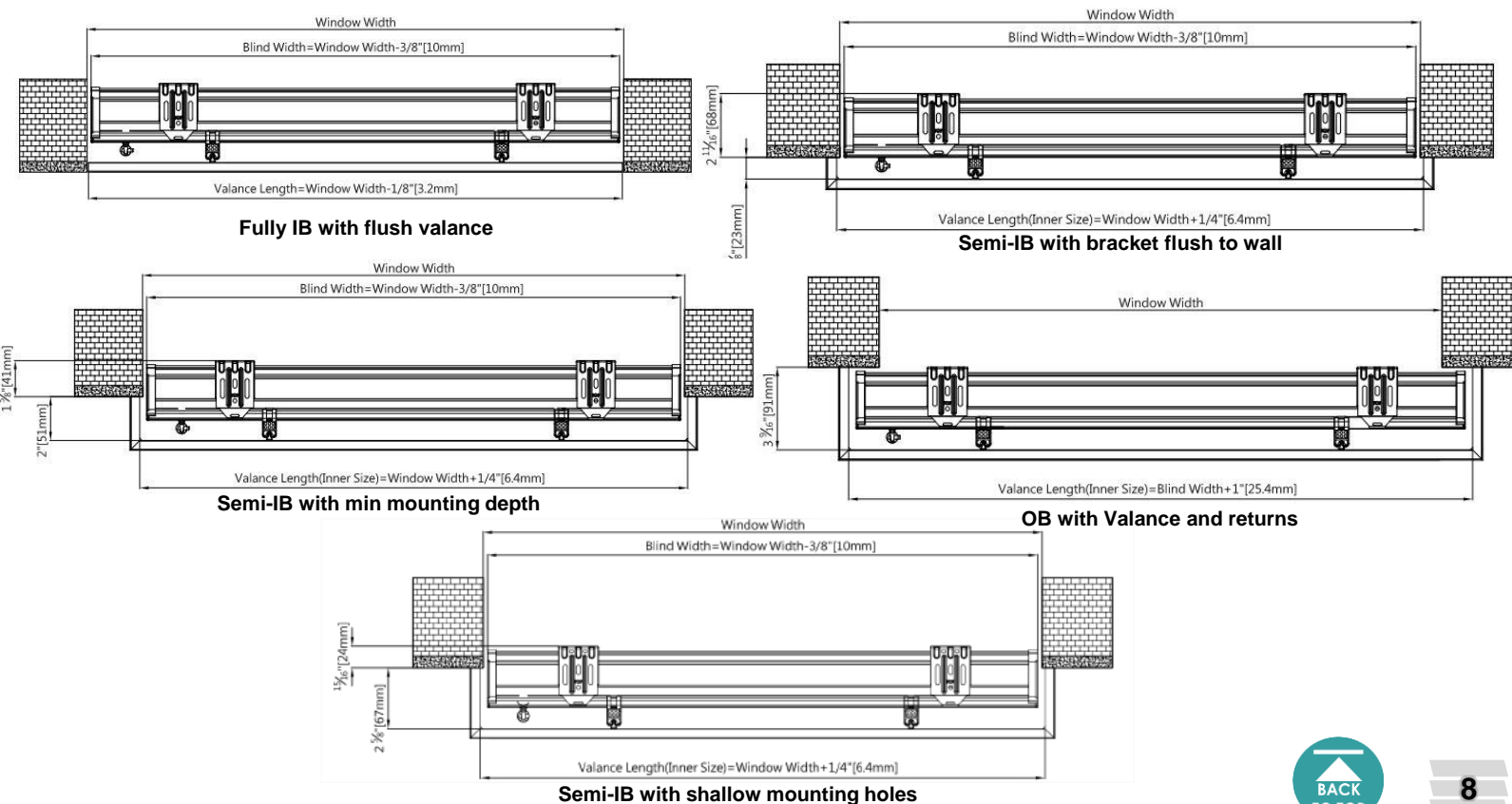
- Valance return locations: left only, right only or both left and right returns
- Standard or custom sizes available
 - Custom valance return size: minimum 1/2" and maximum 5"

Inside Mount

Blind/Valance Type	Fully Recessed IB	Semi-IB with bracket flush to wall	Semi-IB Minimum Mounting Depth	Semi-IB with shallow depth mounting holes
2" & 2 1/2" Blinds with No Valance	2 11/16"	N/A	1 5/8"	15/16"
2" & 2 1/2" Blind with Modern Curved Valance	3 7/8"	2 11/16" *Valance return size: 7/8"	1 5/8" *Valance return size: 2"	15/16" *Valance return size: 2 5/8"
2" & 2 1/2" Blind with Designer Crown Valance	4 1/16"	2 11/16" *Valance return size: 7/8"	1 5/8" *Valance return size: 2"	15/16" *Valance return size: 2 5/8"

Outside Mount

Blind/Valance Type	OB return size
2" & 2 1/2" Blinds with any valance	Valance return size: 3 9/16"

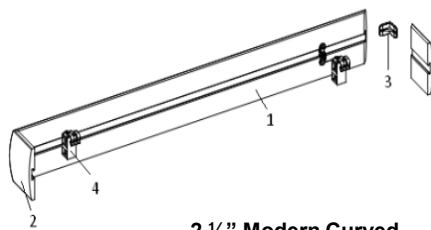


Options

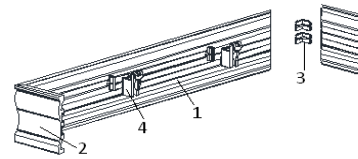
Valances

- Standard: No Valance
- Optional: 2 ½" Modern Curved & 3 ¼" Designer Crown Valance
- Size: Standard length or custom length (blind width + 5")
- Color availability: Valance color will match slat color.
- When ordering a valance only, the valance will be split equally when the inner dimension of an individual piece exceeds 96" (custom split not available). Standard valance connector will be used by default (keystone not available). Max inner length for valance only = 384"

	Description
1	Valance
2	Valance Return
3	Valance Return Joinery
4	Valance Clip



2 ½" Modern Curved

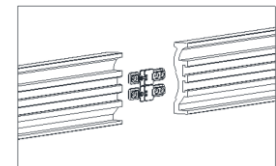


3 ¼" Designer Crown Valance

Valance Joinery

Valances will be spliced when the width exceeds **96"**; valance joinery is required for support on spliced valances or common valances; Valance connectors will be provided by default, keystones can be selected as an option.

- **Standard:** Valance Connector
 - Valance Connector splits will be made evenly along the valance; custom split location & At gaps between blinds is not available
- **Optional:** Keystone
 - Up to 3 keystones can be requested per valance/common valance
 - Select the keystone location based on an even split or custom split. At gaps between blinds is not available.
 - Keystones can also be requested onto non-spliced valances.



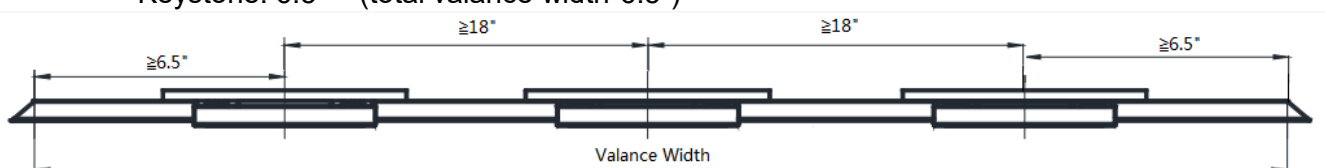
Valance Connector



Keystone

Keystone Spacing Requirements

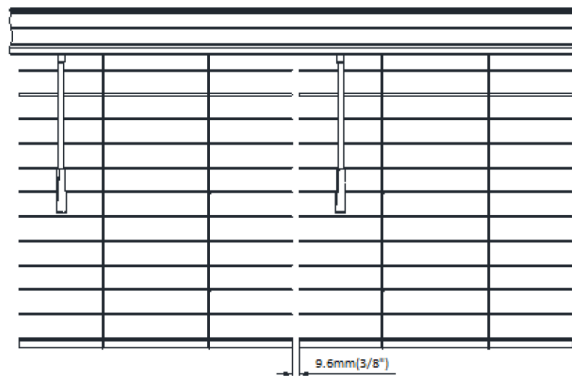
- Measure from the left of the valance inner width to the center of the keystone.
- Available for valance width 13" and above
- Minimum distance between 2 keystones is 18" and the min. distance between either ends of the valance to the keystone center is 6.5".
- Custom keystone location limitation:
 1. When there're 3 keystones:
 - 1st keystone: 6.5" ~ (total valance width - 18"x2 - 6.5")
 - 2nd keystone: (1st keystone location+18") ~ (total valance width - 18" - 6.5")
 - 3rd keystone: (2nd keystone location +18") ~ (total valance width - 6.5")
 2. When there're 2 keystones:
 - 1st keystone: 6.5" ~ (total valance width-18"- 6.5")
 - 2nd keystone: (1st keystone location+18") ~ (total valance width - 6.5")
 3. When there's 1 keystone:
 - Keystone: 6.5" ~ (total valance width-6.5")



Options

Common Valance

- Not available with side mount brackets
- There is a min gap of 3/8" between each blind, but a gap of up to 12" can be requested.
- 3/8" width deductions will be taken from each blind (only when ordered as Inside Mount)
- Standard Common Valance sizes
 1. For IM without valance return, the standard common valance size = order width - 1/8" or = **left blind width (net) + right blind width (net) + middle blind width (net) + gap width x gap qty + 1/4"**
 2. For IM with valance return, the standard common valance size = order width + 1/4" or = **left blind width (net) + right blind width (net) + middle blind width (net) + gap width x gap qty + 5/8"**
 3. For OM with no valance returns, the standard common valance size = left blind width (net) + right blind width (net) + middle blind width (net) + gap width x gap qty + 2"
 4. For OM with valance returns, the standard common valance size = left blind width (net) + right blind width (net) + middle blind width (net) + gap width x gap qty + 1"



Please note that slats on common valance blinds may not align and that slat alignment is not guaranteed.

Custom Valance Width

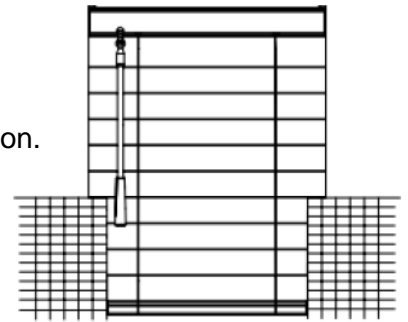
- For single blinds, the custom valance width cannot be more than 5" wider than the (net) blind width.
- For blinds under a common valance, **the minimum gap size between each blind is 3/8"**, and the **max gap between each blind is 12"**. Therefore, when there are:
 - 2 blinds under a common valance, the custom valance width cannot be 12" wider than the combined net blind width;
 - 3 blinds under a common valance, the custom valance width cannot be 24" wider than the combined net blind width;
 - 4 blinds under a common valance, the custom valance width cannot be 36" wider than the combined net blind width.

Options

Cut-outs

A cut-out is an area of the blind that needs to be removed to avoid an existing obstruction.

- All measurements are taken from top to bottom, with slats in a closed position.
- Cut-outs are made on complete slats only based on the size provided. Partial slat cuts will not be made.
- Available for Single & Common Valance blinds
 - **Single blinds:** available on left, right, or both sides
 - **Common Valance blinds:** cut-outs are only available on the left side of the left blind and the right side of the right blind; not available on any of the center blinds.
- Select a cut-out type, indicate the location, and provide the required cut-out measurements. Only one cut-out type is available per side. Both Bottom Corner and Side/Middle cut-outs cannot be made on the same side of the blind.



• Corner (Bottom) Cut-out

Removes the bottom corner(s) of the blind, including the bottom rail. Must provide the width and height of the cut-out. See diagram below.

- Cut-out Width (W): Measured from the edge of the blind/end cap to the end of the cut-out.
- Cut-out Height (H): Measured from the top of the headrail to the top of the cut-out.

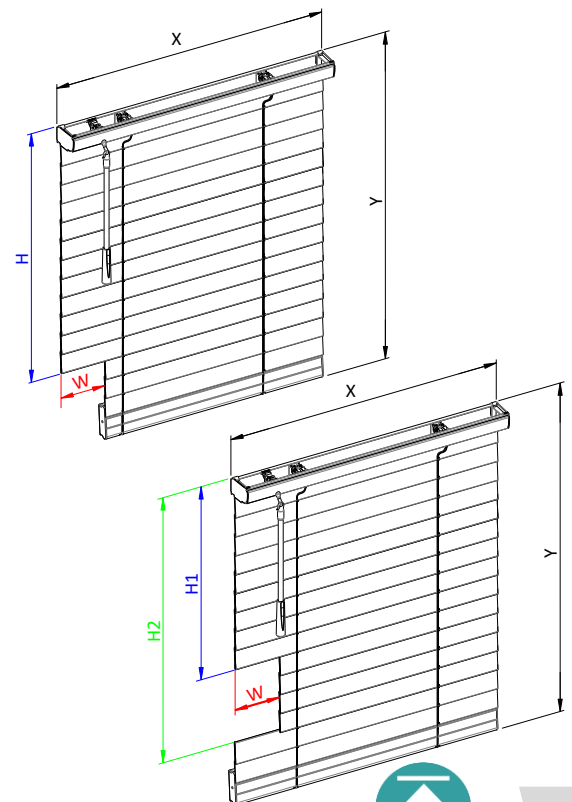
• Side (Middle) Cut-out

Removes the side(s) of the blinds in the middle only; the bottom rail will not be cut. Must provide the width, the start of cut-out height, and the end of cut-out height. See diagram below.

- Cut-out Width (W): Measured from the edge of the blind/end cap to the end of the cut-out.
- Cut-out Height (H1): Measured from the top of the headrail to the top of the cut-out.
- Cut-out Height (H2): Measured from the top of the headrail to the end of the cut-out.

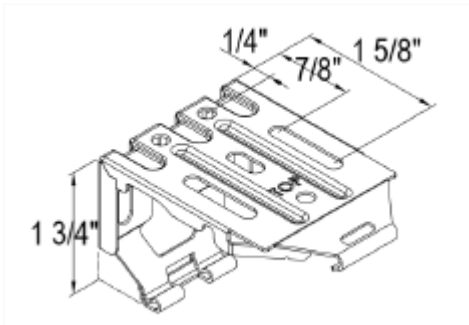
Corner (Bottom) Cut-out		Blind Width (X)			
		X ≤ 8 7/8"	8 7/8" < X ≤ 26 5/8"	26 5/8" < X ≤ 39"	X > 39"
Cut-out Width (W)	Min	1/8"	1/8"	1/8"	1/8"
	Max	1/2"	1 1/2"	3"	4 1/2"
Height (H)	Min	1 1/2"			
	Max	2" Slat: Y - 2 1/4" / 2.5" Slat: Y - 2 3/4"			

Side (Middle) Cut-out		Blind Width (X)			
		X ≤ 8 7/8"	8 7/8" < X ≤ 26 5/8"	26 5/8" < X ≤ 39"	X > 39"
Cut-out Width (W)	Min	1/8"	1/8"	1/8"	1/8"
	Max	1/2"	1 1/2"	3"	4 1/2"
Height (H1)	Min	1 1/2"			
	Max	2" Slat: F - 1 3/4" / 2.5" Slat: F - 2 1/4"			
Cut-out Height (H2)	Min	2" Slat: 3 1/2" / 2.5" Slat: 4"			
	Max	2" Slat: Y - 2 1/2" / 2.5" Slat: Y - 3"			



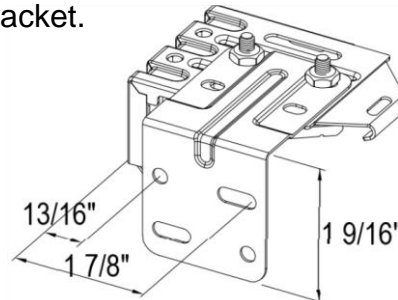
Hardware

Installation Bracket



Side Mount Installation (IM only)

When selected, includes installation bracket, plus side mount supporting bracket.



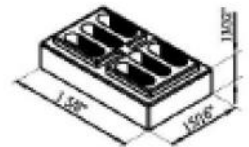
Hold Down Bracket

Optional for all blind widths



Spacer (OM only)

Offers a 3/8" extension outwards from the wall. Two spacers can be stacked to allow for a 11/16" extension.



Hardware

Blind Width (Net)	Installation Bracket qty
$X \leq 37"$	2
$37" < X \leq 47"$	3
$47" < X \leq 75"$	4
$75" < X \leq 96"$	5

Screws	Quantity
1 1/4" Screw	Installation bracket qty x 2
2" Screw (with spacer)	Installation bracket qty x 2
3/4" Screw	Hold down bracket qty x 2
M4 Nut & Bolt	4 (for Side Mount only)

Optional Valances	Valance Return Connector qty
2 1/2" Modern Curved Valance	2
3 1/4" Designer Crown Valance	4

Blind Width Net (X) / Custom Valance Length (L)	Valance Clip qty
$X \leq 37"$; $L \leq 37"$	2
$37" < X < 60"$; $37" < L < 60"$	3
$60" \leq X \leq 96"$; $60" \leq L \leq 96"$	4
$L > 96"$	5~15 {fx (L-14)/24+1}

Optional Hold Down Bracket Qty	#6x3/4" Screw Qty
2	4

Ladder Cord Count

Blind Width (Net)	# of Ladders	# of Inner Cords
$X \leq 24"$	2	4
$24" < X \leq 37"$	3	4
$37" < X \leq 50"$	4	4
$50" < X \leq 63"$	5	8
$63" < X \leq 76"$	6	8
$76" < X \leq 89"$	7	8
$89" < X \leq 96"$	8	8

Note: Number of ladders may vary if the blind order is close to the maximum width of that range.



Ultimate™ Cordless Faux Wood Blinds

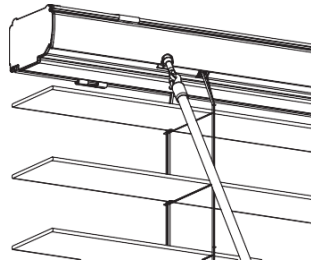
Color Availability

No.	Color Code	Color Name	Color Type	Finish	2" Slat	2 ½" Slat
1	P001	Pure White	Solid	Smooth	✓	✓
2	P001	Pure White	Solid	Embossed	✓	✓
3	E008	Designer White	Solid	Smooth	✓	✓
4	E008	Designer White	Solid	Embossed	✓	✓
5	P003	Silk White	Solid	Smooth	✓	✓
6	P003	Silk White	Solid	Embossed	✓	✓
7	P004	Bright White	Solid	Smooth	✓	✓
8	P004	Bright White	Solid	Embossed	✓	✓
9	P006	Pearl	Solid	Smooth	✓	✓
10	P006	Pearl	Solid	Embossed	✓	✓
11	P075	Storm Gray	Solid	Embossed	✓	✓
12	P075	Storm Gray	Solid	Smooth	✓	✓
13	6957	Mist	Printed	Embossed	✓	✓
14	P230	Old Teak	Printed	Embossed	✓	✓
15	6959	Granite	Printed	Embossed	✓	✓
16	P226	Chestnut	Printed	Embossed	✓	✓

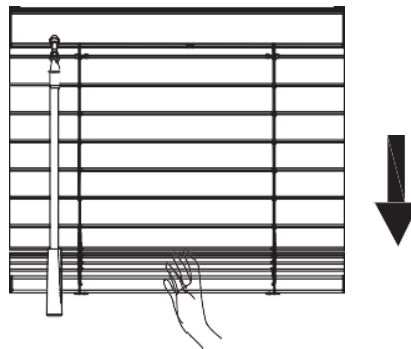


Operating Your Cordless Blind

Tilting Wand: Rotate the wand to achieve the desired slat position.



To lower the blind: Pull the blind down by hand from the bottom rail. Slats can be in an opened or closed position when lowering the blind.



To raise the blind: Gently tilt the slats to an open/level position before lifting the bottom rail. Lift by hand, with slats in an open position.

****Do not leave slats in a closed up or closed down position while lifting the bottom rail.***

