

GRABER® | DELIGHT IN EVERY DETAIL



Graber Vertical Blinds English/US Price Guide

VERTICAL BLINDS

Product Information Guide

Features

| | |
|--|---|
| Vertical Blinds: Vane Styles and Information | 3 |
| Sheer Vertical Blinds: Styles, Fabric Content, Light Control, Light Control Levels | 4 |
| Oeko-Tex® Standard 100 Certified Fabrics | 4 |
| NFPA 701 | 4 |
| Vertical Blinds: Vane Features | 5 |

Size Considerations

| | |
|--|---|
| Vertical Blinds, Depth Requirements for Inside Mount | 6 |
| Sheer Vertical Blinds, Depth Requirements for Inside Mount | 6 |

Options

| | |
|---|----|
| Summary | 7 |
| Vertical Blinds: Control Options | 8 |
| Sheer Vertical Blinds: Control Options | 8 |
| Vertical Blinds: Headrail Systems | 9 |
| Vertical Blinds and Sheer Vertical Blinds: Stacking Options | 10 |
| Vertical Blinds and Sheer Vertical Blinds: Installation Types | 10 |
| Vertical Blinds: Cut-Out Blinds | 11 |
| Vertical Blinds: Bottom Chain | 11 |
| Vertical Blinds: Stay Clear™ Channel Panel for Fabric Vanes | 12 |
| Vertical Blinds and Sheer Vertical Blinds: Paired Blinds | 12 |
| Vertical Blinds and Sheer Vertical Blinds: Vane Replacement Ordering | 12 |
| Sheer Vertical Blinds: Hem Style | 12 |
| Vertical Blinds: Square-Corner Valance | 13 |
| Vertical Blinds and Sheer Vertical Blinds: Round-Corner | 13 |
| Vertical Blinds and Sheer Vertical Blinds: Double Round-Corner Valances | 13 |
| Sheer Vertical Blinds: Dauphine® Valance | 13 |
| Vertical Blinds and Sheer Vertical Blinds: Bay and Corner Windows | 14 |
| Vertical Blinds: Specialty Shapes: Angled Window Headrail | 15 |

PLEASE NOTE:

Photos and illustrations are for inspiration only.
Not all product configurations are available in all countries.
Window blind cords are a strangulation hazard for young children.
Consult your dealer or store associate for cordless products, or products with inaccessible cords. Remove this product immediately if a cord longer than 22 cm, or a loop exceeding 44 cm, becomes accessible.

GRABER.

NOVEMBER 2023

(11/23) 23-484600

Table of Contents

General Information

| | |
|---|----|
| Vertical Blinds and Sheer Vertical Blinds: Installation Hardware | 16 |
| Vertical Blinds and Sheer Vertical Blinds: Number of Mounting Brackets | 16 |
| Vertical Blinds and Sheer Vertical Blinds: Clear Opening: How to Measure for Uncovered Window | 17 |
| Vertical Blinds: Vane Stacking Chart: G-71 Super-Vue® 3½" | 17 |
| Vertical Blinds: Vane Stacking Chart: G-98 Ultra-Vue™ 3½" | 18 |
| Vertical Blinds: Vane Stacking Chart: G-85 Dura-Vue® 3½" | 18 |
| Vertical Blinds: Vane Stacking Chart: One Touch® Control | 19 |
| Sheer Vertical Blinds: Vane Stacking Chart: Outside Mount | 20 |
| Sheer Vertical Blinds: Vane Stacking Chart: Inside Mount | 20 |
| Sheer Vertical Blinds: Vane Color Coordination Chart | 21 |
| G-71 Super-Vue Product Detail | 22 |
| G-98 Ultra-Vue Product Detail | 23 |
| G-85 Dura-Vue Product Detail | 24 |
| Sheer Vertical Blinds: G-71 Super-Vue Product Detail | 25 |

Features

- Choose from a variety of fabric, crown vinyl, or S-shaped vinyl vanes
- S-shaped vanes feature a rolling drapery look
- Fabric vanes can be free hanging or inserted into channel panel for more light control and privacy
- Many vinyl styles coordinate with Graber® 2" Horizontal Vinyl Blinds
- Several fabric styles coordinate with Graber FashionPleat®, EvenPleat®, or LightWeaves® Shades

Vertical Blinds: Vane Styles and Information

| Collection Name | Material Content | Light Control | Vane Style | Street Side Appearance | Coordinates |
|-----------------------|------------------|--------------------------------|------------|------------------------|---|
| Fabric | | | | | |
| Allure | Fabric | Light filtering/room darkening | FH or INS | | LightWeaves Roller |
| Baskerville | Fabric | Light filtering/transparent | FH or INS | | |
| Brighton FR | Fabric | Light filtering | FH or INS | | FashionPleat and EvenPleat |
| Compass° | Fabric | Room darkening | FH | | |
| Crossweave° | Fabric | Light filtering | FH or INS | | LightWeaves Roller, FashionPleat, and EvenPleat |
| Devon | Fabric | Light filtering | FH or INS | | |
| Grasses | Fabric | Light filtering | FH or INS | | |
| Harmony° | Fabric | Light filtering/transparent | FH or INS | | LightWeaves Roller |
| Network | Fabric | Light filtering | FH or INS | | |
| Prescott° | Fabric | Room darkening | FH | | |
| Royale° | Fabric | Light filtering/transparent | FH or INS | | LightWeaves Roller |
| Sheffield° | Fabric | Light filtering/transparent | FH or INS | | LightWeaves Roller |
| Strings | Fabric | Transparent | FH | | |
| Tahiti Weave | Fabric | Light filtering | FH or INS | | |
| Thatch | Fabric | Light filtering | FH or INS | | |
| Tuvalu° | Fabric | Light filtering/transparent | FH or INS | | EvenPleat |
| Urban Loft° | Fabric | Light filtering/transparent | FH or INS | | |
| S-Shaped Vinyl | | | | | |
| Georgetown S | 100% vinyl | Room darkening | S-shaped | Neutral | 2" horizontal vinyl |
| Homespun II S | 100% vinyl | Room darkening | S-shaped | Neutral | |
| Linen S | 100% vinyl | Room darkening | S-shaped | Neutral | 2" horizontal vinyl |
| Quantum S | 100% vinyl | Room darkening | S-shaped | Neutral | |
| Crown Vinyl | | | | | |
| Acropolis | 100% vinyl | Room darkening | Crown | Neutral | |
| Cachet | 100% vinyl | Room darkening | Crown | Neutral | 2" horizontal vinyl |
| Channel Panel | 100% vinyl | Room darkening | Crown | Same front and back | |
| Chenille | 100% vinyl | Room darkening | Crown | Neutral | |
| Coronation | 100% vinyl | Room darkening | Crown | Neutral | 2" horizontal vinyl |
| Crown | 100% vinyl | Room darkening | Crown | Neutral | 2" horizontal vinyl |
| Fiber | 100% vinyl | Room darkening | Crown | Neutral | 2" horizontal vinyl |
| Grotto | 100% vinyl | Room darkening | Crown | Same front and back | |
| Homespun II | 100% vinyl | Room darkening | Crown | Neutral | 2" horizontal vinyl |
| Kensington | 100% vinyl | Room darkening | Crown | Neutral | 2" horizontal vinyl |
| Lake Forest® | 100% vinyl | Room darkening | Crown | Same front and back | Lake Forest Faux Wood Blinds |
| Parallels | 100% vinyl | Room darkening | Crown | Neutral | |
| Quantum | 100% vinyl | Room darkening | Crown | Neutral | 2" horizontal vinyl |
| Rapture | 100% vinyl | Room darkening | Crown | Neutral | 2" horizontal vinyl |
| Safari | 100% vinyl | Room darkening | Crown | Neutral | 2" horizontal vinyl |
| Satin Stripe | 100% vinyl | Room darkening | Crown | Neutral | |
| Stowe | 100% vinyl | Room darkening | Crown | Neutral | |
| Window Weaves | 100% vinyl | Room darkening | Crown | Neutral | |

°Oeko-Tex® fabric
FR = Flame resistant NFPA 701

FH = Free hanging fabric
INS = Fabric inserted into channel panel

Features

Sheer vertical blinds combine the soft look of sheer fabric draperies and the light control benefits of vinyl vertical blinds. When the vanes are open, softly diffused light streams into the room through sheer fabric for minimal privacy and light control; when closed, light is blocked from entering the room to provide maximum privacy and light control. Not only for patio doors, sheer vertical blinds also look beautiful on wider or uniquely shaped windows. Plus, sheer vertical fabrics are easily removed and machine washable.

- Fabric easily installed and removed—no need to take down entire blind
- Easily replace original fabric with different style or color when décor changes
- Fabric is machine washable
- Color coordinated thread for a finished appearance
- Heavy-duty aluminum headrail with steel pantograph system ensures smooth operation and proportional spacing of vanes
- Available as both inside and outside mount
- Stems are removable for easy replacement in the home

Sheer Vertical Blinds: Styles, Fabric Content, and Light Control

| Collection Name | Material Content | Light Control | Vane Style | Street Side Appearance | Coordinates |
|-----------------|------------------|----------------------|------------|------------------------|-----------------|
| Bengali | 100% polyester | Sheer/room darkening | FH | Neutral | Graber® Artisan |
| Cascade | 100% polyester | Sheer/room darkening | FH | Neutral | Graber Artisan |
| Dijon | 100% polyester | Sheer/room darkening | FH | Neutral | |
| Gossamer | 100% polyester | Sheer/room darkening | FH | Neutral | Graber Artisan |
| Highlight | 100% polyester | Sheer/room darkening | FH | Neutral | Graber Artisan |

Light Control Levels

Light Filtering: Light is filtered to varying degrees depending on fabric style and color; silhouettes of objects and people are visible through the blind.

Room Darkening: Light is substantially blocked; vague shadows of objects or people may be visible; maximum room darkening is achieved with darker colors.

Sheer: Allows light to enter the room where light control and privacy are not a concern. Objects in the room can be seen quite clearly through open blinds.

Oeko-Tex® Standard 100 Certified Fabrics

Oeko-Tex Standard 100 certifies that our fabrics are free of PVC, halogen, lead, formaldehyde, allergenic dyes, pesticides, phenols, heavy metals, and meet all VOC content limits.

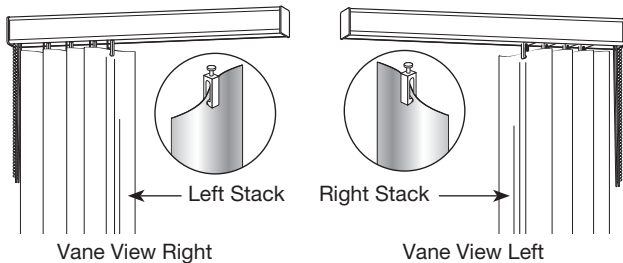
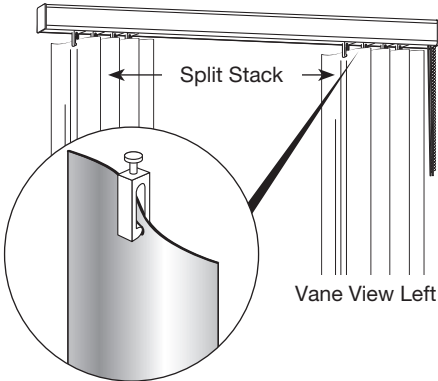
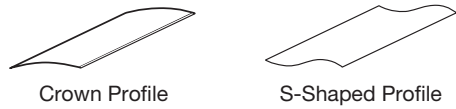


NFPA 701

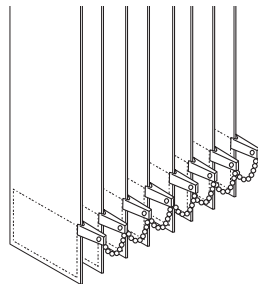
NFPA 701 Flame resistance test is the standard method of fire tests for flame propagation of textiles and films by the National Fire Protection Agency.

Features

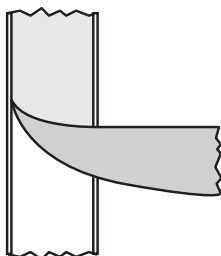
Vertical Blinds: Vane Features



Vane View: Side the color or texture is facing when vanes are rotated open so you can see through the vanes to the street.



Free Hanging Fabric with Optional Bottom Chain and Clips



Vane Material Inserted in Channel Panel

Vinyl Styles

- All vinyl vanes offer value, durability, easy cleaning, and superior light control
- Choose from embossed crown, smooth crown, or S-shaped embossed vinyl vanes
- Embossed textures offered in solids or prints with the look of jacquard or linen fabrics, wood, or stucco
- Coordinating 2" horizontal vinyl blinds available for many styles; for pricing on 2" horizontal vinyl blinds, see the Graber® 2" horizontal vinyl product information guide

Vinyl Crown Vanes

- Traditional curved vanes

Vinyl S-Shaped Vanes

- Provide a more drapery like look to your vertical blinds
- Provide better closure for more light control and privacy
- Valances are made with crown PVC of the same texture and color; dye lot cannot be guaranteed
- S-shaped vanes are NOT reversible; vane view shows which side the color/texture is facing when vanes are rotated open so you can see out the window
 - Right stack and split stack—left
 - Left stack—right
- You may choose a vane view other than the recommended if you are concerned about which side of the vane you will see when blinds are rotated open
- For paired, bay and corner blinds, the same vane view is recommended for all blinds

NOTE: See illustrations on how S-shaped vanes will hang.

Fabric Vanes

- Designer fabric vane styles range from sheer to room darkening in a variety of weaves and materials
- Free-hanging vanes come with sewn-in bottom weights and optional chain and clips
- For increased privacy and room darkening, fabric vanes can be inserted into channel panels; the clear edge channels hold fabric securely and will not yellow over time; the opaque vinyl vanes provide additional privacy and light control; see price charts for replacement pricing
- Coordinating Graber pleated, Roman, solar, and roller shade fabric and Graber sliding panels are available for selected styles
- Available in 3½" fabric styles

Additional Information

- Due to the nature of vane materials (both fabric and vinyl prints), colors may vary slightly from dye lot to dye lot; exact matches cannot be guaranteed
- Due to the random design of some vane patterns, exact alignment of the pattern across the blind is not possible

Size Considerations

Vertical Blinds



| | Width | | | Height | |
|-----------------|-------------------------------|------------------------------|------------------|------------------|------------------|
| | Minimum Single Stack (inches) | Minimum Split Stack (inches) | Maximum (inches) | Minimum (inches) | Maximum (inches) |
| G-71 Super-Vue® | 9 | 12 | 191 | 12 | 192 |
| G-98 Ultra-Vue™ | 9 | 17 | 191 | 12 | 192 |
| G-85 Dura-Vue® | 9 | 12 | 178¾ | 12 | 144 |
| One Touch® | 9 | N/A | 144 | 12 | 104 |

Factory Deductions

| Mount | Mount Bracket Location | Valance | Height Deduction G-71 (inches) | Height Deduction G-98 (inches) | Height Deduction G-85 (inches) |
|---------|------------------------|---------|--------------------------------|--------------------------------|--------------------------------|
| Outside | All types | Yes/no | 0 | 0 | 0 |
| Inside | Ceiling or top | No | ¾ | ½ | ½ |
| Inside | Ceiling or top | Yes | ¾ | ¾ | ½ |
| Inside | Wall or back | No | 1⅞ | ¾ | ¾ |
| Inside | Wall or back | Yes | 1½ | 1½ | 1½ |

| Mount | Width Deductions (inches) |
|---------|---------------------------|
| Outside | 0 |
| Inside | ¼ |

Depth Requirements for Inside Mount



| | Headrail Dimensions (inches) |  Partially recessed headrail in window casing/molding Minimum Depth Mount (inches) | Headrail Flush with Casing (vanes and/or valance not flush with casing) (inches) | Depth Needed for Flush Mount Vane (inches) |  Fully recessed valance in window casing/molding Depth Needed for Flush Mount Valance (inches) |
|----------------|------------------------------|--|--|--|--|
| G-71 Super-Vue | 1¾ x 1⅞ | 2¾ | 3 | 3¾ | 4¾ |
| G-98 Ultra-Vue | 1½ x 1¾ | 2¾ | 2⅞ | 3¾ | 4¾ |
| G-85 Dura-Vue | 1⅞ x 1½ | 2¾ | 2¾ | 3¾ | 4¾ |

Sheer Vertical Blinds

| | Width | | Height | |
|-----------------------|------------------|------------------|------------------|------------------|
| | Minimum (inches) | Maximum (inches) | Minimum (inches) | Maximum (inches) |
| Sheer Vertical Blinds | 17 | 191 | 19 | 104 |

| | Width | | Height | |
|-----------|------------------|------------------|------------------|------------------|
| | Minimum (inches) | Maximum (inches) | Minimum (inches) | Maximum (inches) |
| One Touch | 17 | 144 | 19 | 104 |

Depth Requirements for Inside Mount

|  Partially recessed headrail in window casing/molding Minimum Depth Partially Recessed Mount (inches) | Depth Needed for Flush Mount Headrail (inches) | Depth Needed for Flush Mount Vane (inches) |  Fully recessed valance in window casing/molding Depth Needed for Flush Mount Valance (inches) |
|---|--|--|--|
| 2¾ | 3 | 5¼ | 6 |

Partially Recessed: A partially recessed window treatment is where the depth of the window casing is less than the space necessary for a flush mount.

Flush Mount: If the window casing is deep enough to mount the entire blind inside of it, this is called a flush mount.

Options

Summary

The following is a list of options for vertical and sheer vertical blinds. All options are available in all styles and colors. Limitations will be based on fabric width. See detailed descriptions on the following pages.

Vertical Blinds

Control Type Options—No Charge

- Cord and chain controls
- One Touch® Control (standard)

Options—No Charge

- Bay and corner windows
- Paired blinds
- Projection bracket: 4 $\frac{3}{8}$ "

Options—Surcharge (see price charts for pricing and/or surcharges)

- Bottom chain and clips (fabric)
- Bottom chain (vinyl)
- Cut-outs
- Round-corner valance
- Double round-corner valance
- Square-corner valance
- Stay Clear™ channel panels
- Wood cornices and valances (see cornices and valances product information guide)

Specialty Options (see price charts for pricing and/or surcharges)

- Angled top

Sheer Vertical Blinds

Control Type Options—No Charge

- Standard cord and chain controls
- One Touch® Control (optional)

Options—No Charge

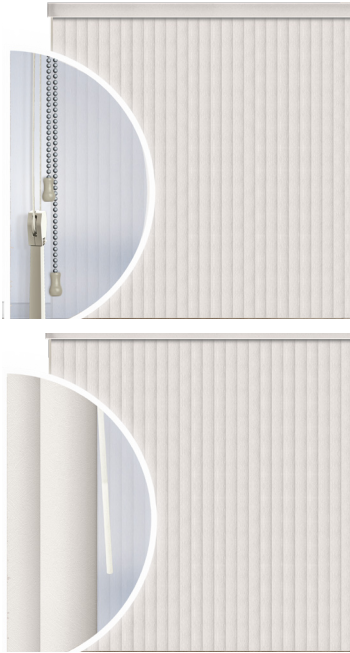
- Bay and corner windows
- Dauphine® valance
- Paired blinds

Options—Surcharge (see price charts for pricing and/or surcharges)

- Round-corner valance
- Double round-corner valance
- Wood cornices and valances (see cornices and valances product information guide)

Options

Vertical Blinds: Control Options



Cord and Chain

- No charge
- Cord controls vane traverse
- Chain controls vane rotation

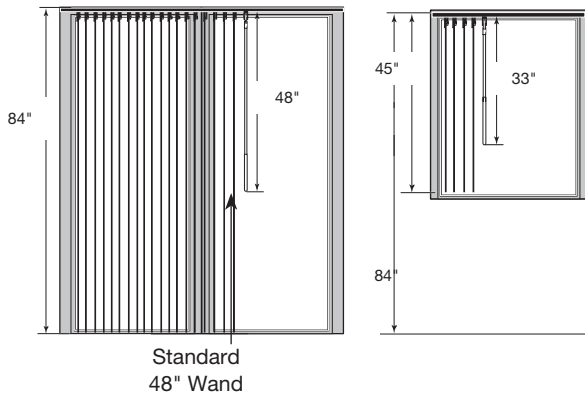
One Touch® Wand Control – Standard

- No charge
- A slender wand controls vane rotation and traversing
- Simple, convenient, safe (no cords and chains)
- Recommended for homes with children or pets
- Available with single stack only; no split stack or opposite stack
- Wand is always attached to leading vane

| Width | | Height | |
|------------------|------------------|------------------|------------------|
| Minimum (inches) | Maximum (inches) | Minimum (inches) | Maximum (inches) |
| 9 | 144 | 12* | 104 |

Wand Sizes

Keep in mind that the wand length is determined by the finished blind height. If the vertical blind covers a patio door or the bottom of the vertical blind reaches the floor, the following chart indicates wand length. If the headrail distance from the floor is greater than 77" or there is any furniture in front of the blind, specify a 48" or 60" wand for easy accessibility.



| Blind Height (inches) | Wand Height (inches) |
|-----------------------|----------------------|
| 77 or less* | 33 |
| 77½ to 92 | 48 |
| 92½ to 96 | 60 |

*If blind is less than 35", wand will be longer than vanes. The standard cord and chain control is recommended.

Sheer Vertical Blinds: Control Options



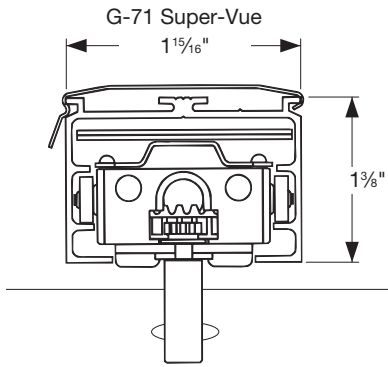
Cord and Chain

- No charge
- Cord controls vane traverse
- Chain controls vane rotation

One Touch® Wand Control

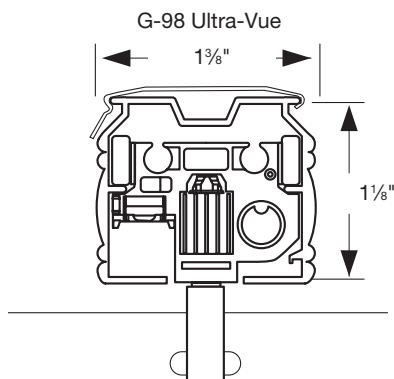
Options

Vertical Blinds: Headrail Systems



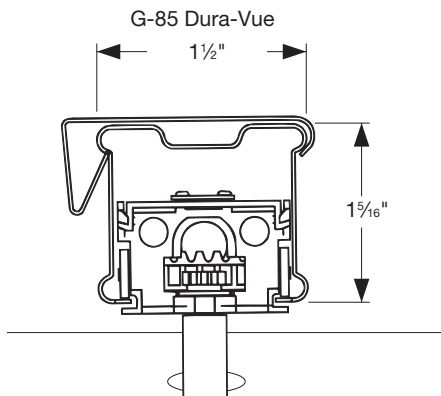
G-71 Super-Vue®

The top-of-the-line G-71 Super-Vue features the patented pantograph traversing system to assure proportional spacing of vanes when closed. G-71 Super-Vue is available in a smooth, anodized aluminum channel. Ball bearing pulleys in the control mechanism and thermoplastic self-lubricating wheels on every carriage allow for smooth traversing vanes. Clear stems provide a sleek appearance with both fabrics and vinyl vanes. E-Z Open™, available only on the G-71 headrail, automatically rotates the vanes when the cord is pulled to traverse the blind.



G-98 Ultra-Vue™

The anodized aluminum G-98 Ultra-Vue headrail system traverses vanes smoothly through the consecutive action of stainless steel pick-up tails. Ultra-Vue carriers are wheeled for smooth traversing and are self-aligning.



G-85 Dura-Vue®

G-85 Dura-Vue headrails traverse vanes smoothly with a thermoplastic strap system. Dura-Vue steel headrail is offered in an ivory painted finish. Dura-Vue carriers are wheeled for smooth traversing.

The design of all Graber® headrails allows for reversible installation, providing versatile placement of controls on either the left or right.

Options

Vertical Blinds and Sheer Vertical Blinds: Stacking Options



Split Stack
Left Controls
(right controls available)



Left Stack
Same Side Stack
and Controls



Right Stack
Same Side Stack and
Controls



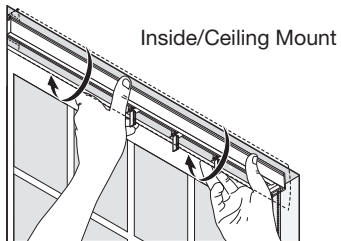
Opposite Stack
and Controls

VERTICALS ONLY: There is a surcharge for center/uneven stack and opposite stack.

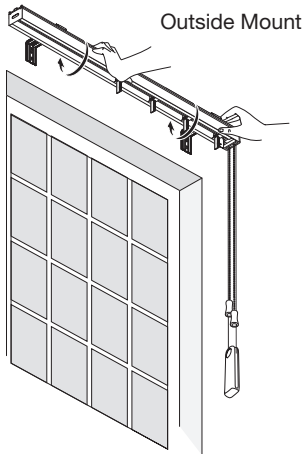
Center/uneven stack available on G-71 Super-Vue® headrails for blinds with vanes only.

NOTE: Split Stack not available for Sheer Wand Draw.

Vertical Blinds and Sheer Vertical Blinds: Installation Types



Inside/Ceiling Mount

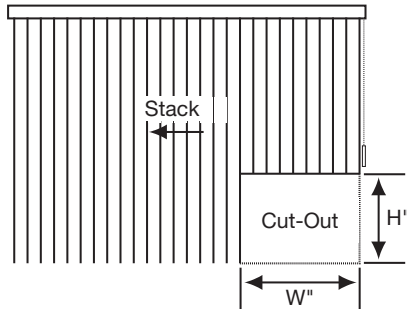
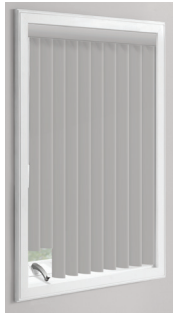


Outside Mount

1. Inside Mount—Ceiling or Top of Window Frame (standard)
Manufacturing height deduction is taken for blinds being installed as inside, ceiling mount with or without a valance.
2. Inside Mount—Wall or Back of Window Frame
Manufacturing height deduction is taken for blinds being installed as inside mount using the L-bracket for a wall mount. An additional manufacturing height deduction is taken if a valance is included, to accommodate the height of the Dauphine® valance bracket.
3. Outside Mount—Wall or Back (standard)
No manufacturing height deduction is taken.
4. Outside Mount—Ceiling or Top (optional)
No manufacturing height deduction is taken.

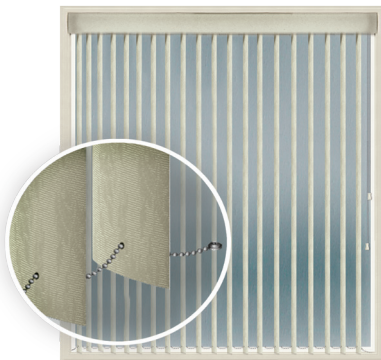
Options

Vertical Blinds: Cut-Out Blinds



- **For surcharges, see price charts**
- Order when air conditioner, heating register, or other object would interfere with vanes
- Blind must stack away from cut-out area
- Specify size and base price by maximum width and height of blind
- Submit drawing to identify size and location of cut-out (see example)
- Minimum cut-out width 3½"
- Cut-out must be a full vane width (3½"); therefore may be wider than ordered
- Not available with bottom chain

Vertical Blinds: Bottom Chain



Bottom Chain
Vinyl Vanes
(Must be requested at time of order.)

- **For surcharges, see price charts**
- Optional, must be requested at time of order
- Not available with channel panel, S-shaped vanes, angle top, or cut-out blinds

| Vane Style | Standard/Option | Description |
|---------------|-----------------|--|
| Fabric | Standard | 3-sided sewn-in weight |
| | Option | Single nickel-plated chain at back of vanes with clips |
| Vinyl | Standard | No bottom chain |
| | Option | Single nickel-plated chain in the middle of the vanes |
| Channel Panel | Standard | No bottom weights or chain |

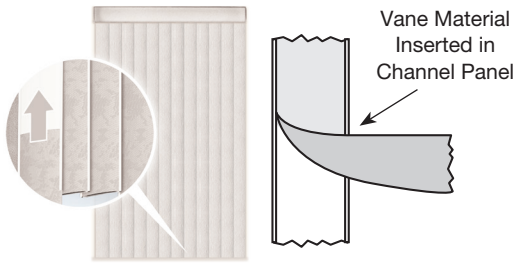


Back Side
of Vanes
Shown

Bottom Chain and Clip
Fabric Vanes
(Free hang only.)

Options

Vertical Blinds: Stay Clear™ Channel Panel for Fabric Vanes



- **See price charts for surcharges**
- For replacement channel panel pricing, see price charts
- Vane material inserted into extruded channel panel with clear edges; see blind features for fabric styles available
- Offers improved privacy, room darkening, and a neutral color appearance from exterior of window
- Channel panel colors are: Ivory (#7137) or White (#7136)
- Not available with bottom chain

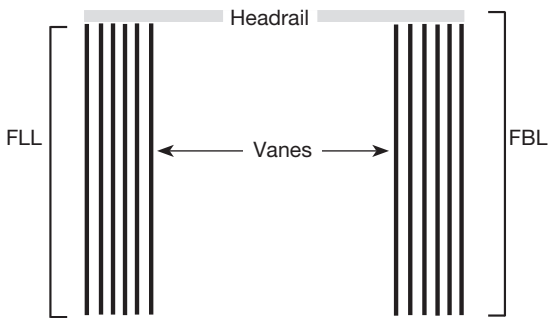
Vertical Blinds and Sheer Vertical Blinds: Paired Blinds



- **Price as two separate blinds**
- The appearance of a split stack blind can be achieved by pairing blinds; the center opening point can be either on center or off center
- Paired blinds can also be used when the required width is larger than the maximum width available for a single blind
- Specify paired blinds on your order
- Control locations must be same as stack
- Recommend ordered as left/left and right/right
- Square-corner valance with dust cover only
- **Available with one-way cord and chain only**

Vertical Blinds and Sheer Vertical Blinds: Replacement Vane Ordering

See the column at the far right of each price chart, for individual vane pricing based on material desired.



How to Price a Replacement Vane

- Use the price charts for individual vane pricing
- Determine which chart based on material desired
- Locate height of your vane on the left side of the chart
- Use the price in the "Replmt Vanes" column in the price charts that coincides with the height of vane desired

How to Measure a Replacement Existing Vane, No Changes

- Measure the vane(s) from tip to tip to determine the exact finished vane length/height (FLL)
- No additional deductions will be taken by manufacturing; vanes will be manufactured to the exact size you provide
- Submit the measurement as exact height

How to Measure a Replacement Existing Vane, Changing the Height of the Vanes

- Measure from top of mounted headrail to bottom of location to be covered
- Record this measurement; this is the finished blind length/height (FBL)
- Manufacturing will take appropriate deduction so vanes will cover desired area

NOTE: Free hang fabric vanes include bottom weights.

Bottom chains for vinyl vanes are optional; must be specified at time of order

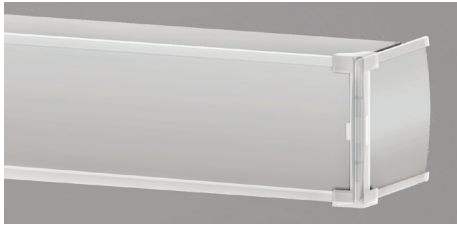
Sheer Vertical Blinds: Hem Style



- 4" drapery hem is standard

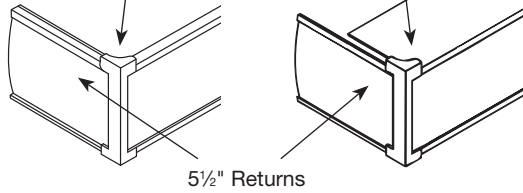
Options

Vertical Blinds: Square-Corner Valance



Square-Corner Valance without Dust Cover

Square-Corner Valance with Dust Cover



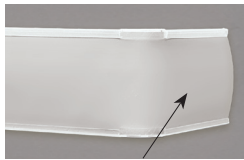
5 1/2" Returns

- For surcharge, see price charts
- The square-corner valance is an extruded vinyl, Stay-Clear™ channel panel, which is sized to hold 3 1/2" wide vane material; it includes two 5 1/2" returns
- Valances greater than 192" must have a dust cover
- Vinyl valance inserts are not available over 191" wide

Maximum Valance Size Limitations

| | Valance | | Returns | |
|-----------------------|------------------------|-------------------------|------------------|------------------|
| | Maximum Vinyl (inches) | Maximum Fabric (inches) | Minimum (inches) | Maximum (inches) |
| Square-Corner Valance | 191 | 191 | 3 | 8 |

Vertical Blinds and Sheer Vertical Blinds: Round-Corner and Double Round-Corner Valances



5 1/2" Return

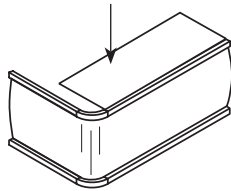
Round-Corner Valance



5 1/2" Return
4 3/4" Return

Double Round-Corner Valance

Round-Corner Valance with Dust Cover



Outside Mount Only

- For surcharge, see price charts
- The round-corner valance system features the Stay-Clear channel panel and is guaranteed not to yellow; accommodates vinyl and fabric vanes as inserts; S-shaped style vanes use matching crown profile for valance insert
- Create a layered look with a double round-corner valance
- Round and double round-corner valances include 5 1/2" returns
- Single round-corner valance: 3 3/4" high
- Double round-corner valance: 6 1/2" high

Maximum Valance Size Limitations

| | Valance | | Returns | |
|-----------------------------|------------------------|-------------------------|------------------|------------------|
| | Maximum Vinyl (inches) | Maximum Fabric (inches) | Minimum (inches) | Maximum (inches) |
| Round-Corner Valance | 171 | 191 | 3 | 8 |
| Double Round-Corner Valance | 171 | 191 | 3 | 8 |

Sheer Vertical Blinds: Dauphine® Valance



- No charge
- Fabric is Shirred for a soft look
- Snap-in brackets for easy installation
- Threader cap provides no-sag Shirring of sheer fabric
- Notched for minimum 2 1/2" returns and will extend to 7 1/2" using the additional return slides which are included

NOTE: Top hem of blind will be visible below the Dauphine valance.

Also available are wood cornices and valances; see cornice and valance product information guide for more information.

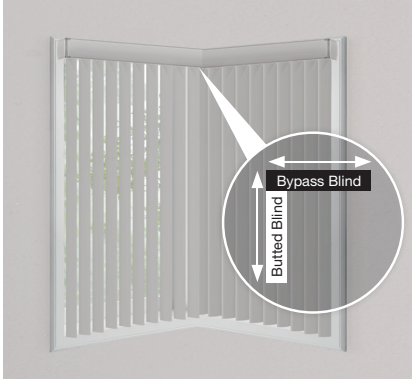
Options

Vertical Blinds and Sheer Vertical Blinds: Bay and Corner Windows

- No charge
- Minimal corner gaps
- Square-corner valance with dust cover only
- Chain and cord only
- Each blind is controlled separately

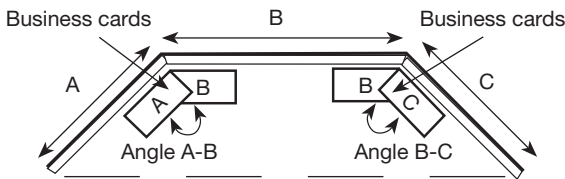
- List each track width and height on separate lines
- Price as separate blinds
- If no deductions are required, do not order as bay or corner
- Sheer verticals—Dauphine® valance only

Measuring Information



Corner Window

Measure: Width of each window from corner to the point you would like to cover.

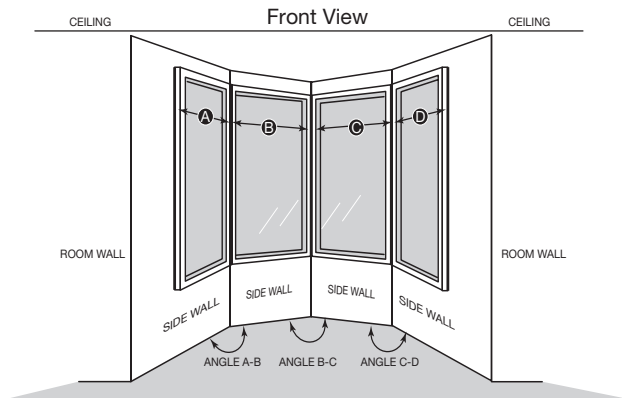


Three-Sided Bay Window

Measure:

- A and C: Width of side windows from the corners to the point you would like the blind to cover.
- B: Width of the center window from corner to corner.
- Angle A-B: Angle between windows (A) and (B).
- Angle B-C: Angle between windows (B) and (C).

Measure bay angle using protractor or angle finder. Or use two business cards in bay corner as illustrated and fax to customer service.

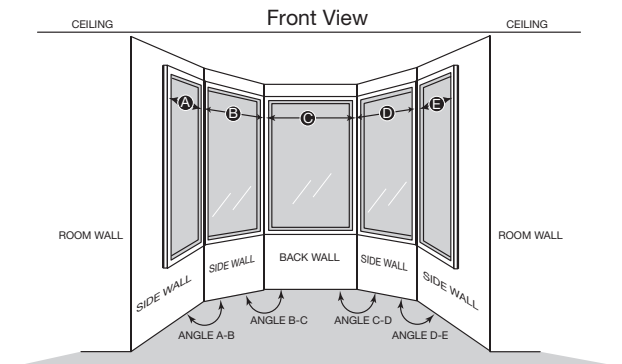


Four-Sided Bay Window

Measure:

- A and D: Width of side windows from the corners to the point you would like the blind to cover.
- B and C: Width of each window from corner to corner.
- Angle A-B: Angle between windows (A) and (B).
- Angle B-C: Angle between windows (B) and (C).
- Angle C-D: Angle between windows (C) and (D).

Measure bay angle using protractor or angle finder. Or use two business cards in bay corner as illustrated and fax to customer service.



Five-Sided Bay Window

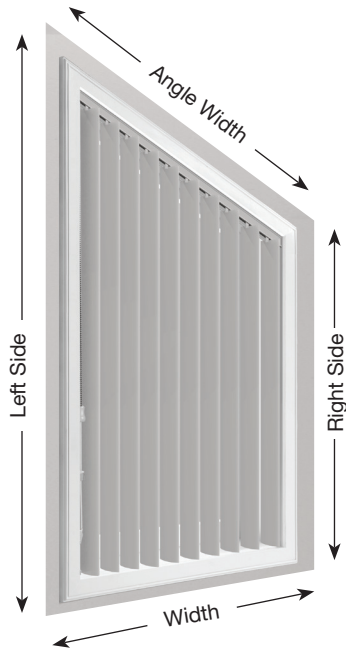
Measure:

- A and E: Width of side windows from the corners to the point you would like the blind to cover.
- B, C, and D: Width of each center window from corner to corner.
- Angle A-B: Angle between windows (A) and (B).
- Angle B-C: Angle between windows (B) and (C).
- Angle C-D: Angle between windows (C) and (D).
- Angle D-E: Angle between windows (D) and (E).

Measure bay angle using protractor or angle finder. Or use two business cards as illustrated and fax to customer service.

Options

Vertical Blinds: Specialty Shapes: Angled Window Headrail



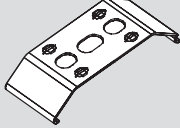
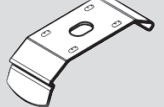

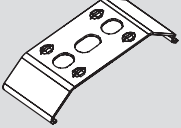
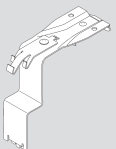
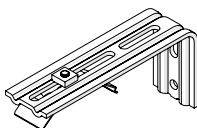
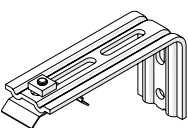
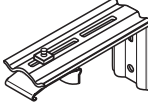
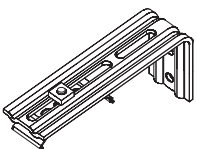
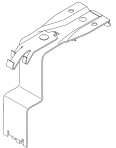
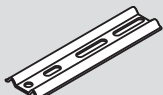
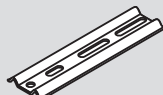
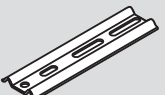
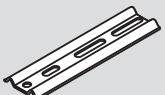
- **For surcharges, see price charts**
- Ideal for sloping, cathedral-type windows
- Only available in single stack cord control vertical blinds
- Exact dimensions must accompany orders to ensure proper fit
- Steepest slope possible is 55°
- One Touch Wand available without traverse, blinds tilt only. Control must be on lower side
- Maximum size: 144" wide x 144" long, depending on angle
- Minimum low end is 6"
- Available on G71 Super-Vue® headrail only
- Square-corner valance with dust cover only; must be mitered at time of installation
- Bottom chains are not available

Measuring Outside Mount

1. Measure exact width and height of area to be covered. It is recommended that shades overlap window frame or opening by 1½" on each side.
2. Measure height of opening on left side and mark this dimension "left". Allow for overlap as desired: 1½" on top and bottom is recommended.
3. Measure height of opening on right side and mark this dimension "right". Allow for the same overlap as left side.
4. Factory will determine the angle from these three dimensions.

General Information

Vertical Blinds and Sheer Vertical Blinds: Installation Hardware

| | G-71 | G-98 | G-85 | Sheer Vertical Blinds | |
|---|---|---|--|---|--|
| Track Clip for Inside or Ceiling Mount |  |  |  |  | Dauphine® Valance Bracket  |
| L-Bracket for Outside or Wall Mount |  |  |  |  | Dauphine Valance Bracket  |
| Optional Flat Projection Bracket (NOTE: Attaches to angle bracket with nut/bolt pairs. Must be requested at time of order.) |  |  |  |  | |

Vertical Blinds and Sheer Vertical Blinds: Number of Mounting Brackets

Sheer Vertical Blinds: Number of headrail and Dauphine valance mounting brackets

| Blind Width (inches) | 17 to 54 | 54 ¹ / ₁₆ to 81 | 81 ¹ / ₁₆ to 108 | 108 ¹ / ₁₆ to 135 | 135 ¹ / ₁₆ to 162 | 162 ¹ / ₁₆ to 191 |
|----------------------|----------|---------------------------------------|--|---|---|---|
| Number of Brackets | 2 | 3 | 4 | 5 | 6 | 7 |

G-98 Headrail

| Blind Width (inches) | 9 to 50 | 50 to 90 | 91 to 130 | 131 to 170 | 171 to 191 |
|----------------------|---------|----------|-----------|------------|------------|
| Number of Brackets | 2 | 3 | 4 | 5 | 6 |

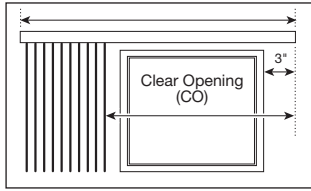
G-71 and G-85 Headrail

| Blind Width (inches) | 9 to 62 | 63 to 98 | 99 to 134 | 135 to 170 | 171 to 191 |
|----------------------|---------|----------|-----------|------------|------------|
| Number of Brackets | 2 | 3 | 4 | 5 | 6 |

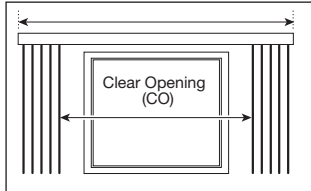
General Information

Vertical Blinds and Sheer Vertical Blinds: Clear Opening: How to Measure for Uncovered Window

Stack Left Finished Blind Width (FBW)



Split Stack
(recommended for
balanced appearance)
Finished Blind Width (FBW)



1. Determine headrail type and the clear opening width for split stack, stack right or stack left (see diagrams)—the additional 3" shown for privacy is recommended if ordering a right or left stack.
2. Match the clear opening width with dimension found under "CO" column below. For even spacing, round up width measurement to the next size in the stack chart. Split stack will have even number of vanes.
3. Order the corresponding dimension found in the "FBW" (finished blind width) column below.

EXAMPLE: Stack Left

If determined width for clear opening window view is 54¼", order width needed to provide full unobstructed view is 66¾".

NOTE: For stack right or stack left blinds add an additional 3" to the clear opening before calculating the finished blind width.

For G-98 Ultra-Vue™ and G-85 Dura-Vue® headrails, and One Touch® Control, see appropriate stacking charts for single stack blinds only on the following pages.

Vertical Blinds: Vane Stacking Chart: G-71 Super-Vue® 3½"

| Number of Vanes | Single Stack | | Split Stack | |
|-----------------|--------------|--------------|-------------|--------------|
| | CO (inches) | FBW (inches) | CO (inches) | FBW (inches) |
| 3 | 6⅞ | 10⅞ | | |
| 4 | 9½ | 13¼ | 7¼ | 12½ |
| 5 | 12⅞ | 16⅞ | | |
| 6 | 14⅞ | 19⅞ | 12½ | 18¾ |
| 7 | 17½ | 22¼ | | |
| 8 | 20⅞ | 25⅞ | 17⅞ | 25⅞ |
| 9 | 22¾ | 29 | | |
| 10 | 25⅞ | 32⅞ | 23¼ | 31⅞ |
| 11 | 28⅞ | 35⅞ | | |
| 12 | 30¾ | 38½ | 28½ | 37¾ |
| 13 | 33⅞ | 41⅞ | | |
| 14 | 36⅞ | 44¾ | 33¾ | 44 |
| 15 | 38¾ | 47⅞ | | |
| 16 | 41⅞ | 51 | 39⅞ | 50¼ |
| 17 | 44 | 54¼ | | |
| 18 | 46⅞ | 57⅞ | 44½ | 56⅞ |
| 19 | 49⅞ | 60½ | | |
| 20 | 52 | 63⅞ | 49¾ | 62⅞ |
| 21 | 54⅞ | 66¾ | | |
| 22 | 57⅞ | 70 | 55 | 69⅞ |
| 23 | 60 | 73⅞ | | |
| 24 | 62⅞ | 76¼ | 60⅞ | 75½ |
| 25 | 65¼ | 79⅞ | | |
| 26 | 67⅞ | 82½ | 65¾ | 81¾ |
| 27 | 70⅞ | 85¼ | | |
| 28 | 73¼ | 88⅞ | 71 | 88 |
| 29 | 75⅞ | 92 | | |
| 30 | 78⅞ | 95⅞ | 76¼ | 94⅞ |
| 31 | 81¼ | 98¼ | | |
| 32 | 83⅞ | 101⅞ | 81½ | 100⅞ |

| Number of Vanes | Single Stack | | Split Stack | |
|-----------------|--------------|--------------|-------------|--------------|
| | CO (inches) | FBW (inches) | CO (inches) | FBW (inches) |
| 33 | 86½ | 104⅞ | | |
| 34 | 89⅞ | 107¾ | 86⅞ | 107 |
| 35 | 91¼ | 110⅞ | | |
| 36 | 94½ | 114 | 92⅞ | 113¼ |
| 37 | 97⅞ | 117⅞ | | |
| 38 | 99¾ | 120⅞ | 97⅞ | 119½ |
| 39 | 102⅞ | 123½ | | |
| 40 | 105⅞ | 126⅞ | 102¾ | 125⅞ |
| 41 | 107¾ | 129¾ | | |
| 42 | 110⅞ | 132⅞ | 108⅞ | 132⅞ |
| 43 | 113 | 136 | | |
| 44 | 115¾ | 139¼ | 113⅞ | 138⅞ |
| 45 | 118⅞ | 142⅞ | | |
| 46 | 121 | 145½ | 118⅞ | 144¼ |
| 47 | 123⅞ | 148⅞ | | |
| 48 | 126⅞ | 151¼ | 124 | 151 |
| 49 | 129 | 155 | | |
| 50 | 131⅞ | 158⅞ | 129¼ | 157¼ |
| 51 | 134¼ | 161¼ | | |
| 52 | 137 | 164⅞ | 134⅞ | 163⅞ |
| 53 | 139⅞ | 167½ | | |
| 54 | 142¼ | 170⅞ | 139⅞ | 169⅞ |
| 55 | 144⅞ | 173⅞ | | |
| 56 | 147⅞ | 177 | 145¼ | 176¼ |
| 57 | 150¼ | 180⅞ | | |
| 58 | 152⅞ | 183¼ | 150½ | 182½ |
| 59 | 155½ | 186⅞ | | |
| 60 | 158¼ | 189⅞ | 155⅞ | 188¼ |
| 61 | 159⅞ | 191 | | |
| 62 | | | 157 | 191 |

FBW = Finished Blind Width

CO = Clear Opening

Stack = FBW - CO

For even spacing on outside mounts, round up width measurement to the next size in the stack chart. Split stack blinds must have an even number of vanes.

General Information

**Vertical Blinds: Vane Stacking Chart:
G-98 Ultra-Vue™ 3½"**

| Number of Vanes | Single Stack | | Split Stack | |
|-----------------|--------------|--------------|-------------|--------------|
| | CO (inches) | FBW (inches) | CO (inches) | FBW (inches) |
| 3 | 7¼ | 10¼ | | |
| 4 | 10 | 13¾ | 8½ | 13½ |
| 5 | 12⅝ | 16½ | | |
| 6 | 15½ | 19 ⅝ | 14 | 19¾ |
| 7 | 18⅝ | 22¾ | | |
| 8 | 21⅞ | 25⅞ | 19½ | 26 |
| 9 | 23 ⅞ | 29 | | |
| 10 | 26¾ | 32¾ | 25⅝ | 32¼ |
| 11 | 29⅝ | 35⅝ | | |
| 12 | 32¼ | 38¼ | 30⅝ | 38⅝ |
| 13 | 35 | 41⅝ | | |
| 14 | 37¾ | 44⅞ | 36¼ | 44⅝ |
| 15 | 40½ | 47⅝ | | |
| 16 | 43⅝ | 50¾ | 41¼ | 50⅞ |
| 17 | 46⅝ | 53⅞ | | |
| 18 | 48⅞ | 57 | 47⅞ | 57⅞ |
| 19 | 51⅞ | 60 | | |
| 20 | 54¾ | 63⅞ | 52⅞ | 63¼ |
| 21 | 57¼ | 66¼ | | |
| 22 | 60 | 69⅞ | 58⅞ | 69½ |
| 23 | 62¾ | 72½ | | |
| 24 | 65½ | 75⅞ | 64 | 75¾ |
| 25 | 68¼ | 78¾ | | |
| 26 | 71⅞ | 80⅞ | 69½ | 82 |
| 27 | 73⅞ | 85 | | |
| 28 | 76⅞ | 88 | 75 | 88⅞ |
| 29 | 79⅞ | 91⅞ | | |
| 30 | 82¼ | 94¼ | 80⅞ | 94⅞ |
| 31 | 85 | 97⅞ | | |
| 32 | 87¾ | 100½ | 86⅞ | 100⅞ |
| 33 | 90½ | 103⅞ | | |
| 34 | 93¼ | 106¾ | 91¼ | 106⅞ |
| 35 | 96⅞ | 109⅞ | | |
| 36 | 98¾ | 112⅞ | 97¼ | 113 |
| 37 | 101⅞ | 116 | | |
| 38 | 104⅞ | 119⅞ | 102⅞ | 119¼ |
| 39 | 107⅞ | 122¼ | | |
| 40 | 109⅞ | 125⅞ | 108⅞ | 125½ |
| 41 | 112¼ | 128½ | | |
| 42 | 115½ | 131 ⅝ | 113⅞ | 131¼ |
| 43 | 118¼ | 134¾ | | |
| 44 | 121⅞ | 137⅞ | 119½ | 138 |
| 45 | 123¾ | 140⅞ | | |
| 46 | 126⅞ | 144 | 125 | 144⅞ |
| 47 | 129⅞ | 147⅞ | | |
| 48 | 132⅞ | 150¼ | 130⅞ | 150⅞ |
| 49 | 134⅞ | 153⅞ | | |
| 50 | 137⅞ | 156½ | 136⅞ | 156⅞ |
| 51 | 140½ | 159⅞ | | |
| 52 | 143¼ | 162¾ | 141¼ | 162⅞ |
| 53 | 146 | 165¾ | | |
| 54 | 148¾ | 168⅞ | 147¼ | 169 |
| 55 | 151⅞ | 172 | | |
| 56 | 154⅞ | 175⅞ | 152¾ | 175¼ |
| 57 | 157⅞ | 178¼ | | |
| 58 | 159⅞ | 181⅞ | 158¼ | 181½ |
| 59 | 162⅞ | 184½ | | |
| 60 | 165⅞ | 187⅞ | 163⅞ | 187¾ |
| 61 | 168⅞ | 190⅞ | | |
| 62 | 168⅞ | 191 | 166½ | 191 |

**Vertical Blinds: Vane Stacking Chart:
G-85 Dura-Vue® 3½"**

| Number of Vanes | Single Stack | | Split Stack | |
|-----------------|--------------|--------------|-------------|--------------|
| | CO (inches) | FBW (inches) | CO (inches) | FBW (inches) |
| 3 | 6⅞ | 10⅞ | | |
| 4 | 9½ | 13¼ | 7¼ | 12½ |
| 5 | 12⅞ | 16⅞ | | |
| 6 | 14¾ | 19½ | 12½ | 18¾ |
| 7 | 17⅞ | 22⅞ | | |
| 8 | 20 | 25¾ | 17¾ | 25 |
| 9 | 22¾ | 28⅞ | | |
| 10 | 25⅞ | 32 | 23 | 31¼ |
| 11 | 28 | 35 ⅞ | | |
| 12 | 30⅞ | 38 ¼ | 28⅞ | 37½ |
| 13 | 33¼ | 41⅞ | | |
| 14 | 35⅞ | 44½ | 33⅞ | 43¾ |
| 15 | 38½ | 47⅞ | | |
| 16 | 41⅞ | 50 ¾ | 38⅞ | 50 |
| 17 | 43¾ | 53⅞ | | |
| 18 | 46⅞ | 57 | 44⅞ | 56¼ |
| 19 | 49 | 60⅞ | | |
| 20 | 51⅞ | 63¼ | 49⅞ | 62½ |
| 21 | 54⅞ | 66⅞ | | |
| 22 | 57 | 69½ | 54⅞ | 68¾ |
| 23 | 59⅞ | 72⅞ | | |
| 24 | 62¼ | 75¾ | 60 | 75 |
| 25 | 64⅞ | 78⅞ | | |
| 26 | 67½ | 82 | 65¼ | 81¼ |
| 27 | 70⅞ | 85⅞ | | |
| 28 | 72¾ | 88¼ | 70½ | 87½ |
| 29 | 75⅞ | 91⅞ | | |
| 30 | 78 | 94½ | 75¾ | 93¾ |
| 31 | 80⅞ | 97⅞ | | |
| 32 | 83¼ | 100¾ | 81 | 100 |
| 33 | 85⅞ | 103⅞ | | |
| 34 | 88½ | 107 | 86¼ | 106 ¼ |
| 35 | 91⅞ | 110⅞ | | |
| 36 | 93⅞ | 113¼ | 91½ | 112½ |
| 37 | 96½ | 116⅞ | | |
| 38 | 99⅞ | 119½ | 96¾ | 118¾ |
| 39 | 101¾ | 122⅞ | | |
| 40 | 104⅞ | 125¾ | 102 | 125 |
| 41 | 107 | 128⅞ | | |
| 42 | 109⅞ | 132 | 107⅞ | 131¼ |
| 43 | 112¼ | 135⅞ | | |
| 44 | 114⅞ | 138¼ | 112⅞ | 137½ |
| 45 | 117⅞ | 141⅞ | | |
| 46 | 120⅞ | 144½ | 117⅞ | 143¾ |
| 47 | 122¾ | 147⅞ | | |
| 48 | 125½ | 150¾ | 123⅞ | 150 |
| 49 | 128⅞ | 153⅞ | | |
| 50 | 130¾ | 157 | 128⅞ | 156¼ |
| 51 | 133⅞ | 160⅞ | | |
| 52 | 136 | 163¼ | 133⅞ | 162½ |
| 53 | 138⅞ | 166⅞ | | |
| 54 | 141¼ | 169½ | 139 | 168¾ |
| 55 | 143⅞ | 172⅞ | | |
| 56 | 146½ | 175¾ | 144¼ | 175 |
| 57 | 149⅞ | 178⅞ | | |
| 58 | 151¾ | 182 | 149½ | 181¼ |
| 59 | 154⅞ | 185⅞ | | |
| 60 | 157 | 188¼ | 154¾ | 187½ |
| 61 | 159⅞ | 191 | | |
| 62 | | | 157¼ | 191 |

FBW = Finished Blind Width

CO = Clear Opening

Stack = FBW – CO

18 | graberdirect.com

November 2023

General Information

Vertical Blinds: Vane Stacking Chart: One Touch® Control (all headrail styles)

| G-71 Super-Vue® | | | | |
|-----------------|--------------|--------------|-------------|--------------|
| Number of Vanes | Single Stack | | Split Stack | |
| | CO (inches) | FBW (inches) | CO (inches) | FBW (inches) |
| 3 | 6½ | 9¼ | | |
| 4 | 8¾ | 12½ | 6¼ | 12 |
| 5 | 11½ | 16 | | |
| 6 | 14½ | 19¼ | 11½ | 18¾ |
| 7 | 16¾ | 22½ | | |
| 8 | 19½ | 25½ | 16½ | 24½ |
| 9 | 22 | 28½ | | |
| 10 | 24½ | 31¼ | 22¼ | 31 |
| 11 | 27½ | 35 | | |
| 12 | 30 | 38½ | 27½ | 37¼ |
| 13 | 32½ | 41¼ | | |
| 14 | 35¼ | 44½ | 32¼ | 43½ |
| 15 | 37½ | 47½ | | |
| 16 | 40½ | 50½ | 38½ | 49½ |
| 17 | 43½ | 53½ | | |
| 18 | 46 | 57 | 43½ | 56½ |
| 19 | 48½ | 60½ | | |
| 20 | 51¼ | 63¼ | 48½ | 62½ |
| 21 | 53½ | 66½ | | |
| 22 | 56½ | 69½ | 54 | 68¾ |
| 23 | 59½ | 73½ | | |
| 24 | 62¼ | 76¼ | 59½ | 75 |
| 25 | 64½ | 79½ | | |
| 26 | 67½ | 82½ | 64¾ | 81½ |
| 27 | 70¼ | 85¼ | | |
| 28 | 72½ | 88½ | 70 | 87½ |
| 29 | 75½ | 92 | | |
| 30 | 78½ | 95½ | 75¼ | 93½ |
| 31 | 80¾ | 98¼ | | |
| 32 | 83½ | 101½ | 80½ | 100¼ |
| 33 | 86½ | 104½ | | |
| 34 | 88¾ | 107¾ | 85½ | 106½ |
| 35 | 91½ | 110½ | | |
| 36 | 94 | 114 | 91½ | 112¼ |
| 37 | 96½ | 117½ | | |
| 38 | 99½ | 120½ | 96½ | 119½ |
| 39 | 102 | 123½ | | |
| 40 | 104½ | 126½ | 101¼ | 125½ |
| 41 | 107½ | 129¼ | | |
| 42 | 110 | 132½ | 107 | 131½ |
| 43 | 112½ | 136 | | |
| 44 | 115½ | 139¼ | 112½ | 138 |
| 45 | 118 | 142½ | | |
| 46 | 120½ | 145½ | 117¾ | 144¼ |
| 47 | 123¼ | 148½ | | |
| 48 | 125½ | 151¼ | 123½ | 150½ |
| 49 | 128½ | 155 | | |
| 50 | 129½ | 156 | 127½ | 156 |

| G-98 Ultra-Vue™ | | | | |
|-----------------|--------------|--------------|-------------|--------------|
| Number of Vanes | Single Stack | | Split Stack | |
| | CO (inches) | FBW (inches) | CO (inches) | FBW (inches) |
| 3 | 6 | 9½ | | |
| 4 | 8¾ | 12¼ | 6½ | 12½ |
| 5 | 11½ | 15½ | | |
| 6 | 14¾ | 19 | 11½ | 18½ |
| 7 | 17½ | 22½ | | |
| 8 | 20 | 25¼ | 17½ | 24½ |
| 9 | 22¼ | 28½ | | |
| 10 | 25½ | 31½ | 23½ | 30½ |
| 11 | 28¼ | 34½ | | |
| 12 | 31 | 37½ | 28½ | 37 |
| 13 | 33¾ | 40¼ | | |
| 14 | 36½ | 43½ | 34½ | 43¼ |
| 15 | 39½ | 47 | | |
| 16 | 42½ | 50½ | 39¼ | 49½ |
| 17 | 45 | 53¼ | | |
| 18 | 47¼ | 56½ | 45¼ | 55¼ |
| 19 | 50½ | 59½ | | |
| 20 | 53¼ | 62½ | 50¾ | 61½ |
| 21 | 56 | 65½ | | |
| 22 | 58¾ | 68½ | 56½ | 68½ |
| 23 | 61½ | 71½ | | |
| 24 | 64½ | 75 | 61½ | 74½ |
| 25 | 67½ | 78½ | | |
| 26 | 70 | 81¼ | 67½ | 80½ |
| 27 | 72½ | 84¼ | | |
| 28 | 75½ | 87½ | 72½ | 86¼ |
| 29 | 78¼ | 90½ | | |
| 30 | 81 | 93½ | 78½ | 93 |
| 31 | 83¾ | 96¼ | | |
| 32 | 86½ | 99½ | 84½ | 99¼ |
| 33 | 89½ | 103 | | |
| 34 | 92½ | 106½ | 89½ | 105½ |
| 35 | 94¾ | 109½ | | |
| 36 | 97½ | 112¼ | 95¼ | 111¼ |
| 37 | 100½ | 115½ | | |
| 38 | 103½ | 118½ | 100¾ | 117½ |
| 39 | 106 | 121½ | | |
| 40 | 108¾ | 124¼ | 106¼ | 124½ |
| 41 | 111½ | 127½ | | |
| 42 | 114½ | 131 | 111½ | 130½ |
| 43 | 117½ | 134½ | | |
| 44 | 119¾ | 137½ | 117½ | 136½ |
| 45 | 123 | 140½ | | |
| 46 | 125¼ | 143¾ | 122½ | 142¼ |
| 47 | 128½ | 146½ | | |
| 48 | 131½ | 150 | 128½ | 149 |
| 49 | 134¼ | 153½ | | |
| 50 | 136½ | 156 | 134½ | 155¼ |
| 51 | | | | |
| 52 | | | 134½ | 156 |

| G-85 Dura-Vue® | | | | |
|-----------------|--------------|--------------|-------------|--------------|
| Number of Vanes | Single Stack | | Split Stack | |
| | CO (inches) | FBW (inches) | CO (inches) | FBW (inches) |
| 3 | 6¼ | 10½ | | |
| 4 | 8¾ | 13¼ | 6¾ | 12½ |
| 5 | 11½ | 16½ | | |
| 6 | 14½ | 19½ | 12 | 18½ |
| 7 | 16¾ | 22½ | | |
| 8 | 19½ | 25¼ | 17¼ | 24½ |
| 9 | 22 | 28½ | | |
| 10 | 24¼ | 32 | 22½ | 30½ |
| 11 | 27½ | 35½ | | |
| 12 | 30 | 38¼ | 27½ | 37½ |
| 13 | 32½ | 41½ | | |
| 14 | 35¼ | 44½ | 33½ | 43½ |
| 15 | 37½ | 47½ | | |
| 16 | 40½ | 50¼ | 38½ | 49½ |
| 17 | 43½ | 53½ | | |
| 18 | 45¾ | 57 | 43½ | 55½ |
| 19 | 48½ | 60½ | | |
| 20 | 51 | 63¼ | 48½ | 62½ |
| 21 | 53½ | 66½ | | |
| 22 | 56¼ | 69½ | 54¼ | 68½ |
| 23 | 59¼ | 72½ | | |
| 24 | 61½ | 75¼ | 59½ | 74½ |
| 25 | 64½ | 78½ | | |
| 26 | 67½ | 82 | 64¾ | 80½ |
| 27 | 69¾ | 85½ | | |
| 28 | 72½ | 88¼ | 70 | 87½ |
| 29 | 75 | 91½ | | |
| 30 | 77½ | 94½ | 75¼ | 93½ |
| 31 | 80¼ | 97½ | | |
| 32 | 82½ | 100¼ | 80½ | 99½ |
| 33 | 85½ | 103½ | | |
| 34 | 88½ | 107 | 85¼ | 105½ |
| 35 | 90¾ | 110½ | | |
| 36 | 93½ | 113¼ | 91 | 112½ |
| 37 | 96½ | 116½ | | |
| 38 | 98¾ | 119½ | 96¼ | 118½ |
| 39 | 101½ | 122½ | | |
| 40 | 104 | 125¼ | 101½ | 124½ |
| 41 | 106½ | 128½ | | |
| 42 | 109¼ | 132 | 106½ | 130½ |
| 43 | 111½ | 135½ | | |
| 44 | 114½ | 138¼ | 112½ | 137½ |
| 45 | 117½ | 141½ | | |
| 46 | 119¾ | 144½ | 117½ | 143½ |
| 47 | 122½ | 147½ | | |
| 48 | 125 | 150¼ | 122½ | 149½ |
| 49 | 127½ | 153½ | | |
| 50 | 129½ | 156 | 127½ | 155½ |
| 51 | | | | |
| 52 | | | 127½ | 156 |

Split stack One Touch Control not available.
 FBW = Finished Blind Width
 CO = Clear Opening
 Stack = FBW – CO

General Information

Sheer Vertical Blinds: Vane Stacking Chart: Outside Mount

| Number of Vanes | Single Stack | | Split Stack | |
|-----------------|---------------------------------|---------------------------------|---------------------------------|---------------------------------|
| | CO (inches) | FBW (inches) | CO (inches) | FBW (inches) |
| 5 | | | | |
| 6 | 14 ⁷ / ₈ | 19 ¹ / ₂ | 11 ¹ / ₂ | 17 |
| 7 | 17 ¹ / ₂ | 22 ³ / ₄ | | |
| 8 | 20 ¹ / ₂ | 25 ¹ / ₂ | 16 3/8 | 23 ¹ / ₄ |
| 9 | 22 ³ / ₄ | 29 | | |
| 10 | 25 ³ / ₈ | 32 ¹ / ₂ | 21 ¹ / ₄ | 29 ¹ / ₂ |
| 11 | 28 1/8 | 35 ³ / ₈ | | |
| 12 | 30 ³ / ₄ | 38 ¹ / ₂ | 27 | 35 ³ / ₈ |
| 13 | 33 ³ / ₈ | 41 ¹ / ₂ | | |
| 14 | 36 ¹ / ₂ | 44 ³ / ₄ | 32 ³ / ₈ | 42 ¹ / ₂ |
| 15 | 38 ³ / ₄ | 47 ¹ / ₂ | | |
| 16 | 41 ¹ / ₂ | 51 | 37 ³ / ₄ | 48 ¹ / ₂ |
| 17 | 44 | 54 ¹ / ₄ | | |
| 18 | 46 ³ / ₈ | 57 3/8 | 43 | 54 ³ / ₄ |
| 19 | 49 ³ / ₈ | 60 ¹ / ₂ | | |
| 20 | 52 | 63 ³ / ₈ | 48 ¹ / ₄ | 61 |
| 21 | 54 ³ / ₈ | 66 ³ / ₄ | | |
| 22 | 57 ³ / ₈ | 70 | 53 ³ / ₈ | 67 ³ / ₈ |
| 23 | 60 | 73 ¹ / ₂ | | |
| 24 | 62 ³ / ₈ | 76 ¹ / ₄ | 58 ³ / ₈ | 73 ³ / ₈ |
| 25 | 65 ¹ / ₄ | 79 ³ / ₈ | | |
| 26 | 67 ³ / ₈ | 82 ¹ / ₂ | 64 ¹ / ₄ | 80 |
| 27 | 70 ³ / ₈ | 85 ³ / ₄ | | |
| 28 | 73 ¹ / ₄ | 88 ¹ / ₂ | 69 ¹ / ₂ | 86 ¹ / ₄ |
| 29 | 75 ³ / ₈ | 92 | | |
| 30 | 78 ³ / ₈ | 95 1/8 | 74 ³ / ₈ | 92 ¹ / ₂ |
| 31 | 81 ¹ / ₄ | 98 ¹ / ₄ | | |
| 32 | 83 ³ / ₈ | 101 ³ / ₈ | 80 ¹ / ₄ | 98 7/8 |
| 33 | 86 ¹ / ₂ | 104 ³ / ₈ | | |
| 34 | 89 ¹ / ₂ | 107 ³ / ₄ | 85 ¹ / ₂ | 105 ³ / ₈ |
| 35 | 91 ³ / ₄ | 110 ³ / ₈ | | |
| 36 | 94 ¹ / ₂ | 114 | 90 ³ / ₄ | 111 ³ / ₈ |
| 37 | 97 ¹ / ₂ | 117 ¹ / ₂ | | |
| 38 | 99 ³ / ₄ | 120 ³ / ₈ | 96 ³ / ₈ | 117 ³ / ₄ |
| 39 | 102 ³ / ₈ | 123 ¹ / ₂ | | |
| 40 | 105 ³ / ₈ | 126 ³ / ₈ | 101 ³ / ₈ | 124 |
| 41 | 107 ³ / ₄ | 129 ³ / ₄ | | |
| 42 | 110 ³ / ₈ | 132 ³ / ₈ | 106 ³ / ₈ | 130 ³ / ₄ |
| 43 | 113 | 136 | | |
| 44 | 115 ³ / ₄ | 139 ³ / ₄ | 112 | 136 ³ / ₈ |
| 45 | 118 ³ / ₈ | 142 ³ / ₈ | | |
| 46 | 121 | 145 ¹ / ₂ | 117 ³ / ₈ | 142 ³ / ₈ |
| 47 | 123 ³ / ₈ | 148 ³ / ₈ | | |
| 48 | 126 ³ / ₈ | 151 ³ / ₄ | 122 ³ / ₄ | 149 ¹ / ₄ |
| 49 | 129 | 155 | | |
| 50 | 131 ³ / ₈ | 158 ³ / ₈ | 128 | 155 ¹ / ₂ |
| 51 | 134 ¹ / ₄ | 161 ¹ / ₄ | | |
| 52 | 137 | 164 ³ / ₈ | 133 ¹ / ₄ | 161 ³ / ₄ |
| 53 | 139 ³ / ₈ | 167 ¹ / ₂ | | |
| 54 | 142 ¹ / ₄ | 170 ³ / ₈ | 138 ³ / ₈ | 168 ³ / ₈ |
| 55 | 144 ³ / ₈ | 173 ³ / ₈ | | |
| 56 | 147 ³ / ₈ | 177 | 143 ³ / ₈ | 174 ³ / ₈ |
| 57 | 150 ¹ / ₄ | 180 ³ / ₈ | | |
| 58 | 152 ³ / ₈ | 183 ³ / ₄ | 149 ³ / ₈ | 180 ³ / ₈ |
| 59 | 155 ¹ / ₂ | 186 ³ / ₈ | | |
| 60 | 158 ¹ / ₄ | 189 ³ / ₈ | 154 ¹ / ₂ | 187 |
| 61 | 159 ³ / ₄ | 191 | | |
| 62 | | | 157 ³ / ₈ | 191 |

Sheer Vertical Blinds: Vane Stacking Chart: Inside Mount

| Number of Vanes | Single Stack | | Split Stack | |
|-----------------|---------------------------------|---------------------------------|---------------------------------|---------------------------------|
| | CO (inches) | FBW (inches) | CO (inches) | FBW (inches) |
| 5 | | | | |
| 6 | | | | |
| 7 | 10 ⁵ / ₈ | 19 ¹ / ₄ | | |
| 8 | 13 ¹ / ₄ | 22 ³ / ₈ | 11 ¹ / ₂ | 19 ³ / ₄ |
| 9 | 15 ³ / ₈ | 25 ¹ / ₂ | | |
| 10 | 18 ¹ / ₂ | 28 ³ / ₈ | 16 ³ / ₈ | 26 |
| 11 | 21 ¹ / ₄ | 31 ¹ / ₈ | | |
| 12 | 24 | 35 | 21 ¹ / ₄ | 32 ³ / ₈ |
| 13 | 26 ³ / ₈ | 38 ³ / ₈ | | |
| 14 | 29 ¹ / ₄ | 41 ¹ / ₄ | 27 | 38 ³ / ₈ |
| 15 | 31 ³ / ₈ | 44 ³ / ₈ | | |
| 16 | 34 ³ / ₈ | 47 ³ / ₈ | 32 ¹ / ₄ | 44 ³ / ₈ |
| 17 | 37 ¹ / ₄ | 50 ³ / ₄ | | |
| 18 | 39 ³ / ₈ | 53 ³ / ₈ | 37 ³ / ₄ | 51 ¹ / ₄ |
| 19 | 42 ¹ / ₂ | 57 | | |
| 20 | 45 ³ / ₈ | 60 ³ / ₈ | 43 | 57 ¹ / ₂ |
| 21 | 47 ³ / ₄ | 63 ³ / ₄ | | |
| 22 | 50 ¹ / ₂ | 66 ¹ / ₂ | 48 ¹ / ₄ | 63 ³ / ₄ |
| 23 | 53 ³ / ₈ | 69 ³ / ₈ | | |
| 24 | 55 ³ / ₈ | 72 ³ / ₈ | 53 ³ / ₈ | 70 ³ / ₈ |
| 25 | 58 ¹ / ₂ | 76 | | |
| 26 | 61 ³ / ₈ | 79 ³ / ₈ | 59 | 76 ¹ / ₂ |
| 27 | 63 ³ / ₈ | 82 ¹ / ₄ | | |
| 28 | 66 ³ / ₈ | 85 ¹ / ₂ | 64 ¹ / ₄ | 82 ³ / ₄ |
| 29 | 69 ³ / ₄ | 88 ³ / ₄ | | |
| 30 | 71 ³ / ₈ | 91 ³ / ₄ | 69 ³ / ₈ | 89 ³ / ₈ |
| 31 | 74 ¹ / ₂ | 94 ³ / ₈ | | |
| 32 | 77 ³ / ₈ | 98 | 74 ³ / ₈ | 95 ³ / ₈ |
| 33 | 80 ¹ / ₄ | 101 ³ / ₈ | | |
| 34 | 82 ³ / ₈ | 104 ³ / ₄ | 80 ³ / ₄ | 102 ³ / ₈ |
| 35 | 85 ¹ / ₂ | 107 ³ / ₈ | | |
| 36 | 88 ³ / ₄ | 111 ³ / ₈ | 86 | 108 ³ / ₈ |
| 37 | 90 ³ / ₈ | 114 ³ / ₄ | | |
| 38 | 93 ¹ / ₂ | 117 ³ / ₈ | 91 ³ / ₈ | 114 ³ / ₄ |
| 39 | 96 ³ / ₈ | 120 ¹ / ₂ | | |
| 40 | 98 ³ / ₄ | 123 ³ / ₈ | 96 ³ / ₈ | 121 |
| 41 | 101 ¹ / ₂ | 126 ³ / ₈ | | |
| 42 | 104 ³ / ₈ | 130 | 101 ¹ / ₂ | 127 ¹ / ₄ |
| 43 | 106 ³ / ₈ | 133 ³ / ₈ | | |
| 44 | 109 ¹ / ₂ | 136 ³ / ₄ | 106 ³ / ₈ | 133 ³ / ₈ |
| 45 | 112 ³ / ₈ | 139 ³ / ₈ | | |
| 46 | 114 ³ / ₄ | 142 ¹ / ₂ | 112 ³ / ₈ | 139 ³ / ₈ |
| 47 | 117 ¹ / ₂ | 145 ³ / ₄ | | |
| 48 | 120 ³ / ₈ | 148 ³ / ₈ | 117 ¹ / ₂ | 146 ³ / ₄ |
| 49 | 122 ³ / ₄ | 152 | | |
| 50 | 125 ³ / ₈ | 155 ³ / ₈ | 122 ³ / ₄ | 152 ¹ / ₂ |
| 51 | 128 ³ / ₈ | 158 ³ / ₈ | | |
| 52 | 130 ³ / ₄ | 161 ¹ / ₂ | 128 | 158 ³ / ₄ |
| 53 | 133 ¹ / ₂ | 164 ³ / ₄ | | |
| 54 | 136 ³ / ₈ | 167 ³ / ₈ | 133 ³ / ₈ | 165 ³ / ₈ |
| 55 | 138 ³ / ₄ | 171 | | |
| 56 | 141 ³ / ₈ | 174 ³ / ₈ | 138 ³ / ₈ | 171 ³ / ₈ |
| 57 | 144 | 177 ¹ / ₄ | | |
| 58 | 146 ³ / ₈ | 180 ¹ / ₂ | 144 | 177 ³ / ₈ |
| 59 | 149 ¹ / ₂ | 183 ³ / ₈ | | |
| 60 | 152 ³ / ₈ | 186 ³ / ₄ | 149 ³ / ₈ | 184 |
| 61 | 154 ³ / ₄ | 189 ³ / ₈ | | |
| 62 | 155 ³ / ₈ | 191 | 154 ³ / ₈ | 190 ¹ / ₄ |
| 64 | | | 154 ³ / ₈ | 191 |

Sheer One Touch®: Vane Stacking Chart: Outside Mount

| Number of Vanes | Single Stack | |
|-----------------|---------------------------------|---------------------------------|
| | CO (inches) | FBW (inches) |
| 5 | 11 ¹ / ₂ | 16 ¹ / ₂ |
| 6 | 13 ³ / ₄ | 19 ¹ / ₄ |
| 7 | 16 ¹ / ₂ | 22 ³ / ₈ |
| 8 | 19 ³ / ₈ | 25 ¹ / ₂ |
| 9 | 21 ¹ / ₄ | 28 ³ / ₈ |
| 10 | 24 ³ / ₈ | 31 ¹ / ₂ |
| 11 | 27 | 35 |
| 12 | 29 ³ / ₈ | 38 ³ / ₈ |
| 13 | 32 ³ / ₈ | 41 ¹ / ₄ |
| 14 | 35 | 44 ³ / ₈ |
| 15 | 37 ³ / ₈ | 47 ¹ / ₂ |
| 16 | 40 ³ / ₈ | 50 ³ / ₄ |
| 17 | 43 | 53 ³ / ₈ |
| 18 | 45 ³ / ₈ | 57 |
| 19 | 48 ¹ / ₄ | 60 ³ / ₈ |
| 20 | 50 ³ / ₈ | 63 ¹ / ₄ |
| 21 | 53 ³ / ₈ | 66 ¹ / ₂ |
| 22 | 56 ¹ / ₄ | 69 ³ / ₈ |
| 23 | 58 ³ / ₈ | 72 ¹ / ₂ |
| 24 | 61 ¹ / ₄ | 75 ³ / ₈ |
| 25 | 64 | 78 ³ / ₄ |
| 26 | 66 ³ / ₈ | 82 |
| 27 | 69 ¹ / ₄ | 85 ³ / ₈ |
| 28 | 71 ³ / ₈ | 88 ¹ / ₄ |
| 29 | 74 ³ / ₈ | 91 ³ / ₈ |
| 30 | 77 ¹ / ₄ | 94 ¹ / ₂ |
| 31 | 79 ³ / ₈ | 97 ³ / ₈ |
| 32 | 82 ¹ / ₂ | 100 ³ / ₈ |
| 33 | 85 ³ / ₈ | 104 |
| 34 | 87 ³ / ₄ | 107 ³ / ₈ |
| 35 | 90 ¹ / ₂ | 110 ³ / ₄ |
| 36 | 93 ³ / ₈ | 113 ³ / ₈ |
| 37 | 95 ³ / ₈ | 116 ³ / ₈ |
| 38 | 98 ¹ / ₂ | 119 ³ / ₄ |
| 39 | 101 ³ / ₈ | 122 ³ / ₈ |
| 40 | 103 ³ / ₄ | 126 |
| 41 | 106 ³ / ₈ | 129 ³ / ₈ |
| 42 | 109 | 132 ¹ / ₄ |
| 43 | 111 ³ / ₄ | 135 ¹ / ₂ |
| 44 | 114 ³ / ₈ | 138 ³ / ₈ |
| 45 | 117 | 141 ³ / ₄ |
| 46 | 118 ³ / ₄ | 144 |

FBW = Finished Blind Width
CO = Clear Opening
Stack = FBW – CO

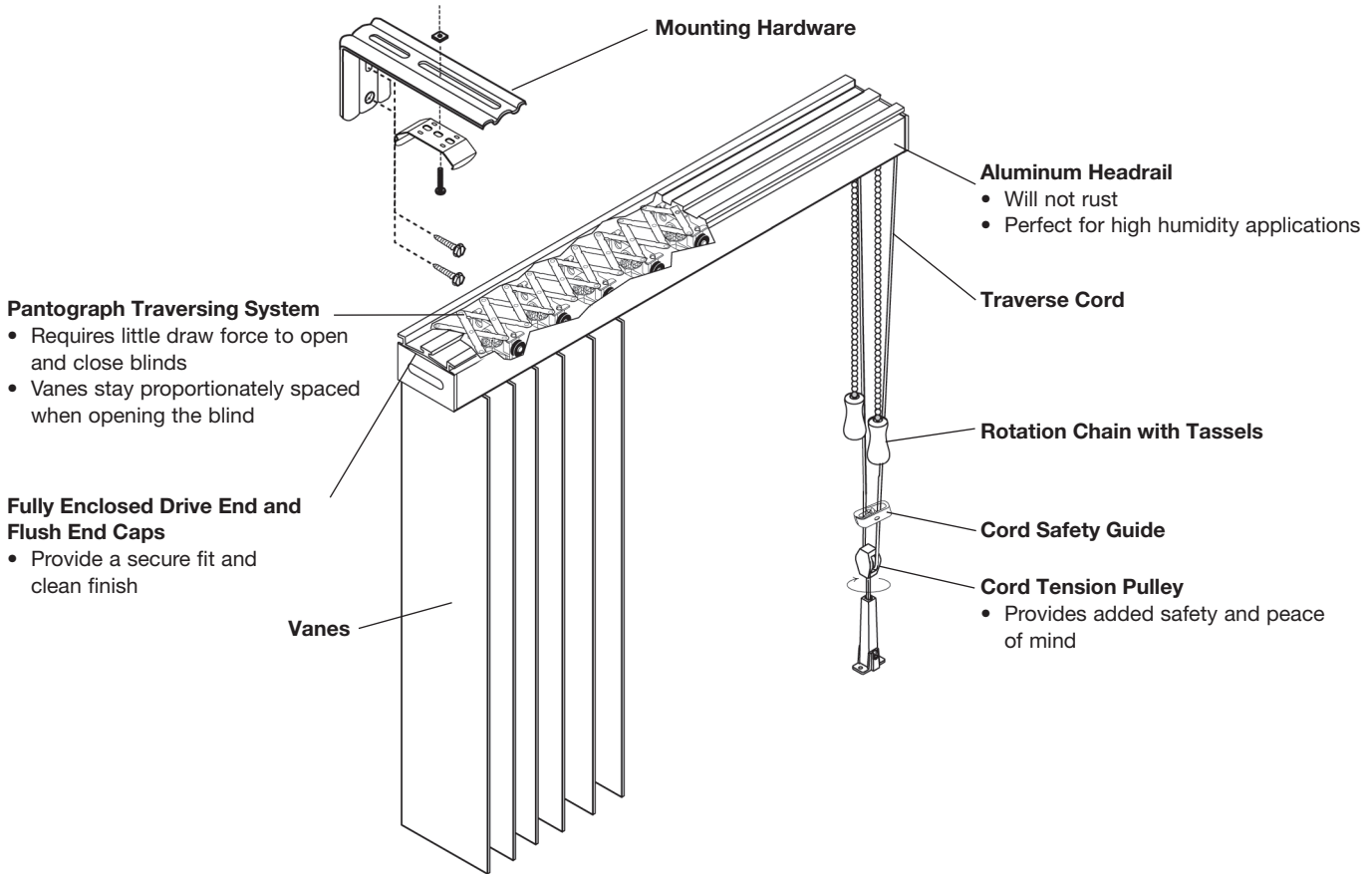
General Information

Sheer Vertical Blinds: Vane Color Coordination Chart

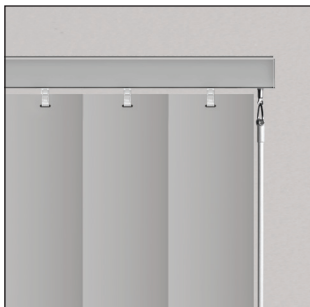
| Fabric Name | Color Name | Color Number | Recommended Vane, Bead Chain, and Cord Weight Color |
|-------------|-------------|--------------|---|
| Bengali | Jute | 2760 | Ivory |
| Cascade | Champagne | 2080 | Ivory |
| Dijon | Downey | 2221 | White |
| | Extra White | 2220 | White |
| | Stucco | 2222 | Ivory |
| Gossamer | Champagne | 1720 | Ivory |
| | Parchment | 1722 | Ivory |
| | Snowstone | 1724 | White |
| | White | 1725 | White |
| Highlight | Champagne | 1740 | Ivory |
| | Snowstone | 1741 | White |
| | White | 1742 | White |

General Information

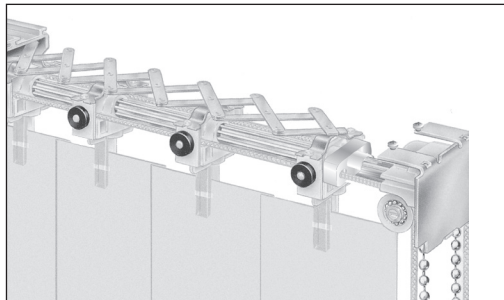
G-71 Super-Vue® Product Detail



Exterior View



Interior View



| Features | Benefits |
|---------------------------------------|---|
| Heavy-Duty Anodized Aluminum Headrail | Will not rust; ideal for high-humidity applications |
| Rack and Pinion Gear System | Allows vanes to rotate smoothly and easily |
| Centrally Located Carrier Stems | Reversible headrail |
| Pantograph System | Requires very little draw force to open and close blinds; vanes stay proportionately spaced when opening the blind |
| One Touch® Control | Safety and convenience |
| Removable Stems | Ability to repair instead of remaking—less invasive for the customer |
| E-Z Open™ | Automatically rotates the vanes when the cord is pulled to traverse the blind; not available with cord tension pulley, One Touch, and center, opposite, or uneven stack |
| Clear Nylon Vane Stems | Nearly invisible, yet extremely strong |

NOTE: Wand control is standard. See control options section for details.

General Information

G-98 Ultra-Vue™ Product Detail

Thin Profile Carrier System

- Narrow carrier width provides reduced vane stack
- Self-aligning carriers for trouble-free operation

Color Coordinated End Caps

- Provide a clean, finished look

Vane Weights

- Available on fabric vanes only
- Allow fabric to hang straight

Aluminum Headrail

- Will not rust
- Perfect for high-humidity applications

Traverse Cord

Rotation Chain with Tassels

Cord Safety Guide

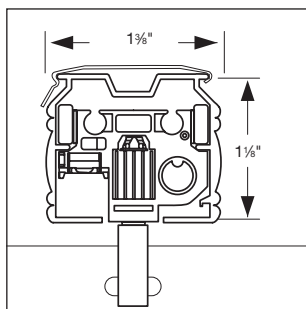
Cord Tension Pulley

- Provides added safety and peace of mind

Bottom Clip and Chain (optional for fabric vanes)

- Stabilizes vanes in a moving air environment (i.e. screen door, heat register)

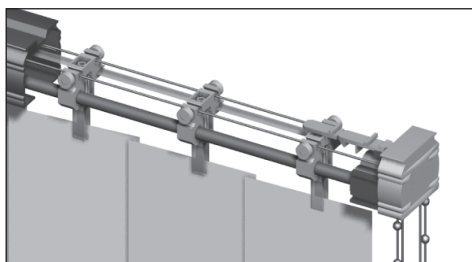
Inside Headrail View



Exterior View



Interior View



| Features | Benefits |
|--|---|
| Heavy-Duty Anodized Aluminum Headrail | Will not rust; ideal for high-humidity applications |
| Thin Profile Carriers | Reduced stack |
| Self-Aligning Carriers | Trouble-free operation |
| Fully Enclosed Drive and Flush End Caps | Provides a secure fit and clean finished appearance |
| Low-Friction Wheeled Carriers | Vanes traverse smoothly |
| One Touch® Control | Safety and convenience |
| Centrally Located Carrier Stems and Symmetrical Cord and Chain Control | Headrail reversible for right or left control installation |
| Clear Nylon Vane Stems | Nearly invisible, yet extremely strong |
| Removable Stems | Ability to repair instead of remaking; less invasive for customer |

NOTE: Wand control is standard. See control options section for details.

General Information

G-85 Dura-Vue® Product Detail

Thermolastic Carrier Linkage System

- Provides smooth traversing of vanes

Color Coordinated End Caps

- Provide a clean, finished look

Vane Weights

- Available on fabric vanes only
- Allow fabric to hang straight

Steel Headrail

Traverse Cord

Rotation Chain with Tassels

Cord Safety Guide

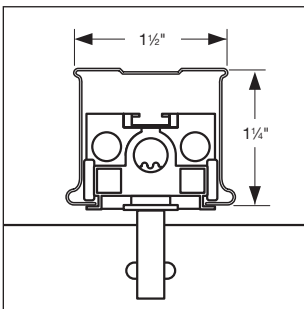
Cord Tension Pulley

- Provides added safety and peace of mind

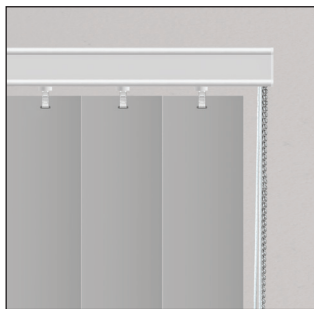
Bottom Clip and Chain (optional for fabric vanes)

- Stabilizes vanes in a moving air environment (i.e. screen door, heat register)

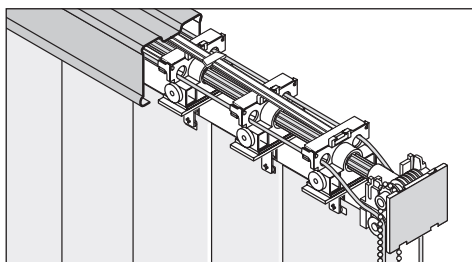
Inside Headrail View



Exterior View



Interior View

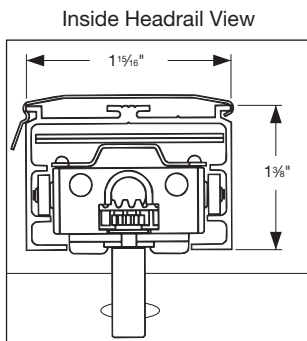
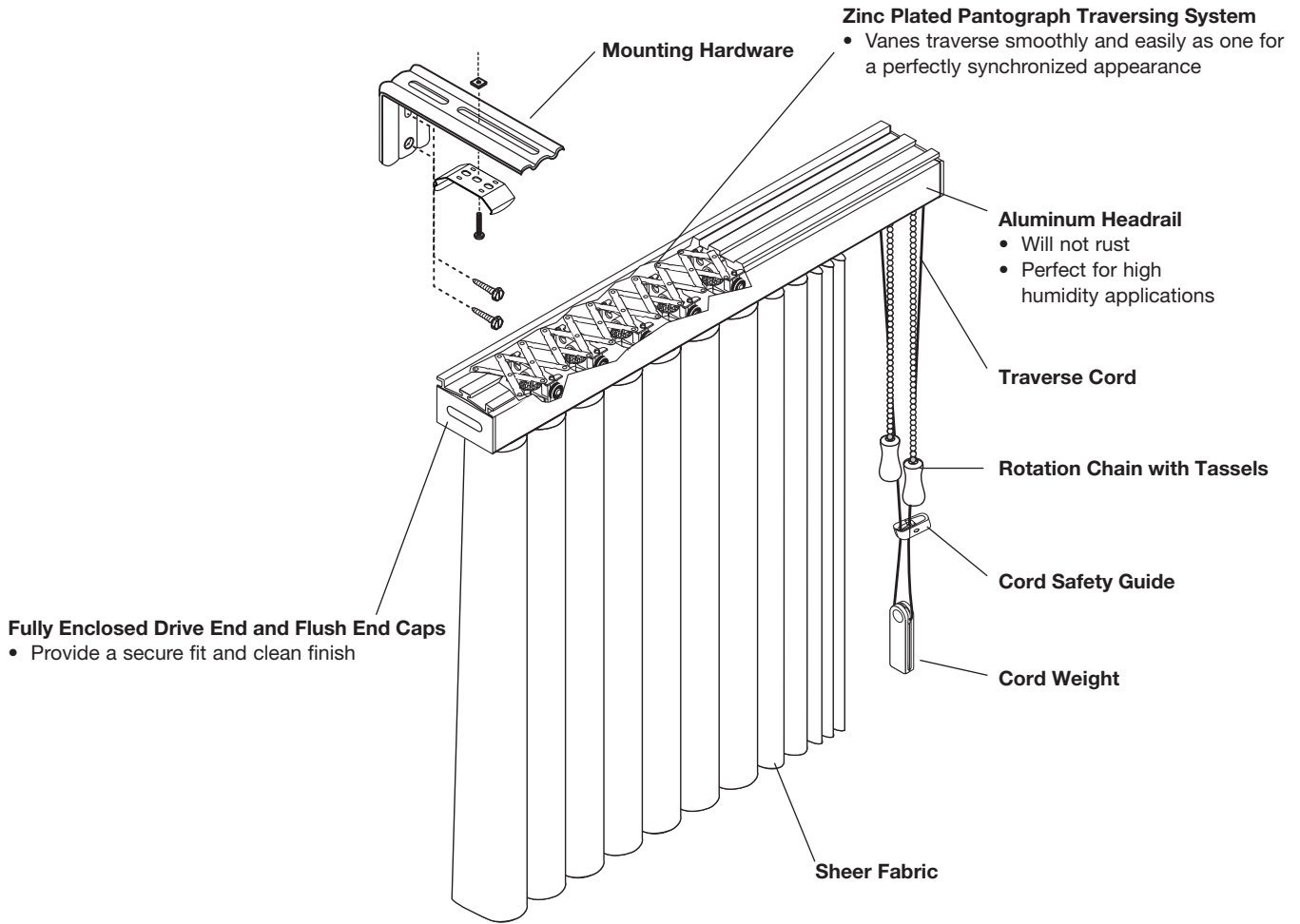


| Features | Benefits |
|--------------------------------------|---|
| Steel Headrail with Ivory Finish | Provides strength and durability |
| Wheeled Carriers | Vanes traverse smoothly and easily |
| Centrally Located Carrier Stems | Headrail is reversible for right or left control position |
| Clear Nylon Vane Stems | Nearly invisible, yet extremely strong |
| Optional Stack and Control Positions | Single stack, split stack, opposite stack are available |
| One Touch® Control (standard) | Safety and convenience |
| Removable Stems | Ability to repair instead of remaking; less invasive for customer |

NOTE: Wand control is standard. See control options section for details.

General Information

Sheer Vertical Blinds: G-71 Super-Vue® Product Detail



| Features | Benefits |
|--------------------------|---|
| Easy Install Fabric | Install fabric after headrail installation; to clean, no need to take down entire blind |
| Skirt Only Option | Change fabric style or color when changing room décor |
| Washable Fabric | Remove fabric from blind to machine wash |
| Color Coordinated Thread | For finished appearance |

NOTE: EZ Open™ feature is not available on sheer vertical blinds.

GRABER.

Graber is a brand of Springs Window Fashions, the Best Experience Company

(11/23) 23-484600

Graber and the Graber logo are registered trademarks of Springs Window Fashions, LLC.

GRABER.

Grabber Vertical Blinds

Designer US Price List — Effective January 2024

Price Group A: Vinyl: Crown, Grotto

G-71 Super-Vue® and G-98 Ultra-Vue™

| Height up to inches (cm) ↓ | Width up to inches (cm) → | | | | | | | | | | | | | | | | | Vanes Only |
|----------------------------|---------------------------|-----------|----------|------------|------------|------------|------------|-----------|-------------|-------------|-------------|-------------|-------------|-------------|-----------|-------------|-------------|------------|
| | 25 (63.5) | 38 (96.6) | 50 (127) | 63 (160.1) | 75 (190.5) | 85 (215.9) | 88 (223.6) | 100 (254) | 113 (287.1) | 120 (304.8) | 132 (335.3) | 144 (365.8) | 154 (391.2) | 164 (416.6) | 174 (442) | 184 (467.4) | 191 (485.2) | |
| 48 (122) | 238 | 292 | 354 | 405 | 466 | 510 | 523 | 593 | 644 | 672 | 744 | 794 | 848 | 902 | 958 | 1011 | 1066 | 5 |
| 60 (152.4) | 255 | 305 | 376 | 428 | 489 | 538 | 553 | 629 | 683 | 716 | 784 | 840 | 895 | 952 | 1008 | 1065 | 1122 | 6 |
| 72 (182.9) | 262 | 326 | 402 | 453 | 516 | 559 | 581 | 664 | 723 | 748 | 833 | 890 | 951 | 1011 | 1074 | 1134 | 1200 | 7 |
| 84 (213.4) | 281 | 346 | 424 | 474 | 541 | 588 | 611 | 693 | 756 | 788 | 874 | 932 | 997 | 1064 | 1127 | 1194 | 1258 | 7 |
| 96 (243.9) | 289 | 355 | 443 | 500 | 570 | 628 | 641 | 726 | 788 | 833 | 917 | 980 | 1046 | 1113 | 1182 | 1247 | 1314 | 9 |
| 108 (274.4) | 299 | 374 | 462 | 523 | 599 | 653 | 671 | 762 | 831 | 870 | 958 | 1026 | 1092 | 1164 | 1233 | 1300 | 1372 | 9 |
| 120 (304.8) | 317 | 395 | 485 | 553 | 633 | 690 | 710 | 808 | 870 | 903 | 1006 | 1070 | 1148 | 1222 | 1299 | 1377 | 1451 | 11 |
| 132 (335.3) | 327 | 418 | 514 | 581 | 665 | 724 | 747 | 847 | 913 | 957 | 1061 | 1128 | 1212 | 1295 | 1377 | 1459 | 1540 | 12 |
| 144 (365.8) | 336 | 443 | 538 | 611 | 700 | 761 | 787 | 890 | 958 | 1006 | 1122 | 1188 | 1274 | 1359 | 1444 | 1531 | 1616 | 13 |
| 156 (396.3) | 345 | 464 | 560 | 638 | 729 | 798 | 828 | 930 | 1006 | 1056 | 1178 | 1247 | 1338 | 1431 | 1523 | 1611 | 1704 | 16 |
| 168 (426.8) | 349 | 489 | 588 | 669 | 769 | 834 | 870 | 972 | 1050 | 1101 | 1235 | 1305 | 1405 | 1498 | 1596 | 1694 | 1790 | 18 |
| 180 (457.2) | 354 | 514 | 614 | 693 | 800 | 873 | 901 | 1017 | 1097 | 1151 | 1293 | 1367 | 1468 | 1570 | 1673 | 1776 | 1876 | 19 |
| 192 (487.7) | 366 | 537 | 641 | 724 | 834 | 903 | 940 | 1056 | 1146 | 1204 | 1350 | 1431 | 1540 | 1649 | 1758 | 1868 | 1977 | 20 |

Add Surcharge to Blind Price

| | | | | | | | | | | | | | | | | | | |
|------------------------------|----|----|----|-----|-----|-----|-----|-----|-----|-----|-----|-----|-----|-----|-----|-----|-----|--|
| Square-Corner Valance | 24 | 36 | 39 | 47 | 51 | 54 | 56 | 62 | 67 | 72 | 78 | 82 | 88 | 93 | 98 | 102 | 108 | |
| Round-Corner Valance* | 26 | 39 | 46 | 54 | 57 | 61 | 62 | 72 | 77 | 81 | 92 | 98 | 103 | 110 | 115 | 120 | | |
| Double Round-Corner Valance* | 51 | 79 | 90 | 108 | 114 | 122 | 125 | 142 | 154 | 162 | 184 | 195 | 206 | 219 | 229 | 241 | | |

*Round-corner valances available up to 175" (144.5 cm) only on vinyl vertical blinds.

NOTE: One Touch® Control outlined in the chart above. Maximum overall blind size is 10,080 square inches (6.5 m²). Available at no charge.

G-85 Dura-Vue®

| Height up to inches (cm) ↓ | Width up to inches (cm) → | | | | | | | | | | | | | | | | | Vanes Only |
|----------------------------|---------------------------|-----------|----------|------------|------------|------------|------------|-----------|-------------|-------------|-------------|-------------|-------------|-------------|-----------|--------------|----|------------|
| | 25 (63.5) | 38 (96.6) | 50 (127) | 63 (160.1) | 75 (190.5) | 85 (215.9) | 88 (223.6) | 100 (254) | 113 (287.1) | 120 (304.8) | 132 (335.3) | 144 (365.8) | 154 (391.2) | 164 (416.6) | 174 (442) | 178½ (454.1) | | |
| 48 (122) | 176 | 211 | 247 | 278 | 312 | 335 | 341 | 390 | 419 | 436 | 482 | 510 | 543 | 582 | 613 | 649 | 5 | |
| 60 (152.4) | 187 | 232 | 264 | 295 | 331 | 359 | 366 | 416 | 456 | 465 | 519 | 549 | 590 | 627 | 667 | 708 | 6 | |
| 72 (182.9) | 202 | 244 | 287 | 314 | 353 | 384 | 390 | 447 | 483 | 501 | 556 | 591 | 629 | 671 | 714 | 750 | 7 | |
| 84 (213.4) | 209 | 255 | 304 | 334 | 379 | 405 | 412 | 473 | 514 | 533 | 591 | 627 | 669 | 714 | 754 | 797 | 7 | |
| 96 (243.9) | 218 | 270 | 317 | 355 | 399 | 434 | 441 | 501 | 541 | 564 | 620 | 663 | 711 | 754 | 799 | 844 | 9 | |
| 108 (274.4) | 232 | 286 | 335 | 377 | 419 | 457 | 463 | 532 | 571 | 597 | 661 | 699 | 745 | 795 | 843 | 891 | 9 | |
| 120 (304.8) | 245 | 302 | 359 | 399 | 450 | 486 | 492 | 564 | 604 | 628 | 697 | 739 | 790 | 842 | 892 | 945 | 11 | |
| 132 (335.3) | 250 | 317 | 383 | 424 | 477 | 520 | 527 | 598 | 647 | 671 | 744 | 792 | 847 | 903 | 959 | 1015 | 12 | |
| 144 (365.8) | 256 | 338 | 401 | 447 | 505 | 549 | 558 | 631 | 687 | 715 | 797 | 844 | 903 | 963 | 1021 | 1079 | 13 | |

Add Surcharge to Blind Price

| | | | | | | | | | | | | | | | | | |
|------------------------------|----|----|----|-----|-----|-----|-----|-----|-----|-----|-----|-----|-----|-----|-----|-----|--|
| Square-Corner Valance | 24 | 36 | 39 | 47 | 51 | 54 | 56 | 62 | 67 | 72 | 78 | 82 | 88 | 93 | 98 | 102 | |
| Round-Corner Valance* | 26 | 39 | 46 | 54 | 57 | 61 | 62 | 72 | 77 | 81 | 92 | 98 | 103 | 110 | 115 | 120 | |
| Double Round-Corner Valance* | 51 | 79 | 90 | 108 | 114 | 122 | 125 | 142 | 154 | 162 | 184 | 195 | 206 | 219 | 229 | 241 | |

*Round-corner valances available up to 175" (144.5 cm) only on vinyl vertical blinds.

NOTE: One Touch® Control outlined in the chart above. Maximum overall blind size is 10,080 square inches (6.5 m²). Available at no charge.

Vinyl: Crown*

| | | | | | |
|------------|------|------------|------|-------|------|
| Alabaster | 9303 | Ivory | 9307 | White | 9306 |
| Candelabra | 9300 | Misty Gray | 9312 | | |
| Carob | 9317 | Tan | 9308 | | |

Vinyl: Grotto

| | | | | | |
|-----------|------|------------|------|-------|------|
| Alabaster | 6587 | Stormcloud | 6584 | White | 6585 |
| Ivory | 6586 | | | | |

*Available in coordinating 2" (5.1 cm) horizontal vinyl blinds.

Price Group B: Vinyl: Cachet, Fiber, Quantum, Stowe, Window Weaves Channel Panel

G-71 Super-Vue® and G-98 Ultra-Vue™

| Height up to inches (cm) ↓ | Width up to inches (cm) → | | | | | | | | | | | | | | | | Vanes Only | |
|-------------------------------|---------------------------|--------------|-------------|---------------|---------------|---------------|---------------|--------------|----------------|----------------|----------------|----------------|----------------|----------------|--------------|----------------|---------------|----------------|
| | 25 (63.5) | 38 (96.6) | 50 (127) | 63 (160.1) | 75 (190.5) | 85 (215.9) | 88 (223.6) | 100 (254) | 113 (287.1) | 120 (304.8) | 132 (335.3) | 144 (365.8) | 154 (391.2) | 164 (416.6) | 174 (442) | 184 (467.4) | | 191 (485.2) |
| 48 (122) | 285 | 351 | 426 | 489 | 559 | 613 | 633 | 721 | 779 | 819 | 895 | 957 | 1022 | 1088 | 1150 | 1218 | 1280 | 6 |
| 60 (152.4) | 303 | 374 | 458 | 516 | 588 | 645 | 665 | 756 | 828 | 861 | 948 | 1017 | 1081 | 1148 | 1217 | 1280 | 1350 | 6 |
| 72 (182.9) | 317 | 392 | 482 | 545 | 618 | 683 | 703 | 797 | 870 | 903 | 1006 | 1070 | 1139 | 1212 | 1280 | 1353 | 1420 | 7 |
| 84 (213.4) | 338 | 410 | 509 | 573 | 656 | 716 | 730 | 840 | 908 | 952 | 1049 | 1127 | 1206 | 1278 | 1357 | 1431 | 1504 | 9 |
| 96 (243.9) | 349 | 429 | 534 | 599 | 686 | 747 | 772 | 877 | 952 | 1001 | 1101 | 1183 | 1262 | 1338 | 1418 | 1498 | 1581 | 9 |
| 108 (274.4) | 357 | 453 | 555 | 633 | 723 | 783 | 809 | 919 | 998 | 1044 | 1151 | 1233 | 1312 | 1395 | 1476 | 1559 | 1638 | 13 |
| 120 (304.8) | 380 | 480 | 586 | 665 | 761 | 834 | 853 | 971 | 1044 | 1092 | 1208 | 1292 | 1380 | 1467 | 1558 | 1645 | 1733 | 15 |
| 132 (335.3) | 392 | 509 | 618 | 705 | 798 | 876 | 895 | 1031 | 1101 | 1151 | 1280 | 1362 | 1454 | 1550 | 1641 | 1733 | 1822 | 16 |
| 144 (365.8) | 396 | 532 | 656 | 742 | 840 | 917 | 939 | 1075 | 1164 | 1218 | 1351 | 1442 | 1540 | 1636 | 1736 | 1831 | 1929 | 18 |
| 156 (396.3) | 405 | 555 | 690 | 779 | 877 | 957 | 984 | 1127 | 1223 | 1280 | 1418 | 1514 | 1616 | 1718 | 1818 | 1922 | 2021 | 19 |
| 168 (426.8) | 414 | 581 | 723 | 819 | 917 | 998 | 1033 | 1181 | 1281 | 1342 | 1489 | 1592 | 1699 | 1801 | 1911 | 2018 | 2123 | 20 |
| 180 (457.2) | 423 | 608 | 756 | 853 | 955 | 1042 | 1074 | 1233 | 1342 | 1406 | 1562 | 1666 | 1777 | 1886 | 1999 | 2107 | 2215 | 21 |
| 192 (487.7) | 426 | 634 | 787 | 890 | 996 | 1083 | 1118 | 1281 | 1405 | 1466 | 1627 | 1741 | 1855 | 1969 | 2086 | 2199 | 2316 | 23 |

Add Surcharge to Blind Price

| | | | | | | | | | | | | | | | | | | |
|------------------------------|----|----|-----|-----|-----|-----|-----|-----|-----|-----|-----|-----|-----|-----|-----|-----|-----|--|
| Square-Corner Valance | 26 | 42 | 46 | 57 | 62 | 63 | 66 | 75 | 82 | 86 | 97 | 103 | 110 | 115 | 120 | 128 | 133 | |
| Round-Corner Valance* | 30 | 46 | 55 | 65 | 71 | 73 | 75 | 86 | 95 | 100 | 110 | 119 | 128 | 134 | 140 | 147 | | |
| Double Round-Corner Valance* | 59 | 90 | 110 | 130 | 140 | 144 | 149 | 171 | 191 | 199 | 219 | 239 | 254 | 267 | 280 | 296 | | |

*Round-corner valances available up to 175" (144.5 cm) only on vinyl vertical blinds.

NOTE: One Touch® Control outlined in the chart above. Maximum overall blind size is 10,080 square inches (6.5 m²). Available at no charge.

G-85 Dura-Vue®

| Height up to inches (cm) ↓ | Width up to inches (cm) → | | | | | | | | | | | | | | | | Vanes Only |
|-------------------------------|---------------------------|--------------|-------------|---------------|---------------|---------------|---------------|--------------|----------------|----------------|----------------|----------------|----------------|----------------|--------------|-----------------|---------------|
| | 25 (63.5) | 38 (96.6) | 50 (127) | 63 (160.1) | 75 (190.5) | 85 (215.9) | 88 (223.6) | 100 (254) | 113 (287.1) | 120 (304.8) | 132 (335.3) | 144 (365.8) | 154 (391.2) | 164 (416.6) | 174 (442) | 178½ (454.1) | |
| 48 (122) | 216 | 262 | 312 | 350 | 400 | 435 | 441 | 504 | 544 | 564 | 618 | 661 | 711 | 754 | 799 | 847 | 6 |
| 60 (152.4) | 236 | 286 | 335 | 370 | 424 | 459 | 465 | 535 | 585 | 603 | 662 | 708 | 754 | 802 | 856 | 901 | 6 |
| 72 (182.9) | 247 | 303 | 359 | 400 | 449 | 484 | 497 | 568 | 615 | 642 | 710 | 754 | 805 | 860 | 911 | 963 | 7 |
| 84 (213.4) | 258 | 314 | 383 | 419 | 474 | 514 | 526 | 603 | 649 | 682 | 750 | 799 | 858 | 911 | 965 | 1021 | 9 |
| 96 (243.9) | 271 | 334 | 401 | 447 | 504 | 545 | 557 | 635 | 688 | 719 | 792 | 847 | 903 | 959 | 1018 | 1074 | 9 |
| 108 (274.4) | 285 | 349 | 418 | 468 | 533 | 577 | 591 | 669 | 722 | 761 | 836 | 891 | 953 | 1018 | 1079 | 1144 | 13 |
| 120 (304.8) | 298 | 370 | 449 | 497 | 567 | 612 | 620 | 715 | 765 | 792 | 886 | 936 | 1004 | 1069 | 1132 | 1196 | 15 |
| 132 (335.3) | 306 | 392 | 476 | 528 | 597 | 648 | 657 | 754 | 810 | 847 | 940 | 1000 | 1068 | 1134 | 1199 | 1268 | 16 |
| 144 (365.8) | 312 | 414 | 504 | 558 | 628 | 684 | 694 | 799 | 862 | 898 | 999 | 1064 | 1134 | 1201 | 1275 | 1344 | 18 |

Add Surcharge to Blind Price

| | | | | | | | | | | | | | | | | | |
|------------------------------|----|----|-----|-----|-----|-----|-----|-----|-----|-----|-----|-----|-----|-----|-----|-----|--|
| Square-Corner Valance | 26 | 42 | 46 | 57 | 62 | 63 | 66 | 75 | 82 | 86 | 97 | 103 | 110 | 115 | 120 | 128 | |
| Round-Corner Valance* | 30 | 46 | 55 | 65 | 71 | 73 | 75 | 86 | 95 | 100 | 110 | 119 | 128 | 134 | 140 | 147 | |
| Double Round-Corner Valance* | 59 | 90 | 110 | 130 | 140 | 144 | 149 | 171 | 191 | 199 | 219 | 239 | 254 | 267 | 280 | 296 | |

*Round-corner valances available up to 175" (144.5 cm) only on vinyl vertical blinds.

NOTE: One Touch® Control outlined in the chart above. Maximum overall blind size is 10,080 square inches (6.5 m²). Available at no charge.

| Vinyl: Cachet* | | | | | |
|-----------------------|------|---------------|------|-------|------|
| Ivory | 6657 | Shimmer Sage | 6660 | Tan | 6654 |
| Satin White | 6651 | Silver Dollar | 6655 | White | 6650 |

| Vinyl: Fiber* | | | | | |
|----------------------|------|-----------|------|-------|------|
| Bloodroot | 3977 | Midnight | 3974 | Shale | 3090 |
| Buttercream | 3972 | Pebble | 3092 | White | 3973 |
| Cinnamon | 3976 | Sandstone | 3970 | | |

| Vinyl: Quantum* | | | | | |
|------------------------|------|-------|------|-----------|------|
| Chevre | 6874 | Model | 6881 | Shipwreck | 6875 |
| Cream | 6879 | | | | |

| Vinyl: Stowe | | | | | |
|---------------------|------|------------|------|--------|------|
| Bone | 9014 | Embankment | 9022 | Willow | 9015 |
| Cocoa | 9011 | Resort | 9021 | Yew | 9020 |

| Vinyl: Window Weaves | | | | | |
|-----------------------------|------|--------------|------|------------|------|
| Deep Walnut | 3892 | Melting Snow | 3890 | Pilaf | 3896 |
| Heath | 3895 | Millet | 3897 | Rice Paper | 3893 |

| Vinyl: Channel Panel | | | | | |
|-----------------------------|------|-------|------|--|--|
| Ivory | 7137 | White | 7136 | | |

*Available in coordinating 2" (5.1 cm) horizontal vinyl blinds.

Price Group C: Fabric: Baskerville, Brighton, Harmony, Sheffield

Vinyl: Homespun II, Lake Forest®, Rapture, Satin Stripe

Vinyl S-Shaped: Linen S, Quantum S

G-71 Super-Vue® and G-98 Ultra-Vue™

| Height up to inches (cm) ↓ | Width up to inches (cm) → | | | | | | | | | | | | | | | | | Vanes Only |
|----------------------------|---------------------------|-----------|----------|------------|------------|------------|------------|-----------|-------------|-------------|-------------|-------------|-------------|-------------|-----------|-------------|-------------|------------|
| | 25 (63.5) | 38 (96.6) | 50 (127) | 63 (160.1) | 75 (190.5) | 85 (215.9) | 88 (223.6) | 100 (254) | 113 (287.1) | 120 (304.8) | 132 (335.3) | 144 (365.8) | 154 (391.2) | 164 (416.6) | 174 (442) | 184 (467.4) | 191 (485.2) | |
| 48 (122) | 319 | 406 | 495 | 540 | 626 | 684 | 704 | 798 | 868 | 905 | 996 | 1065 | 1139 | 1217 | 1293 | 1367 | 1442 | 11 |
| 60 (152.4) | 338 | 415 | 512 | 573 | 657 | 721 | 744 | 842 | 916 | 960 | 1052 | 1127 | 1206 | 1285 | 1362 | 1444 | 1523 | 13 |
| 72 (182.9) | 350 | 441 | 534 | 607 | 687 | 756 | 783 | 886 | 965 | 1008 | 1116 | 1189 | 1269 | 1352 | 1435 | 1516 | 1596 | 13 |
| 84 (213.4) | 371 | 457 | 565 | 637 | 725 | 794 | 817 | 933 | 1010 | 1061 | 1169 | 1253 | 1337 | 1427 | 1514 | 1600 | 1688 | 15 |
| 96 (243.9) | 383 | 474 | 593 | 671 | 769 | 833 | 861 | 976 | 1061 | 1116 | 1226 | 1312 | 1406 | 1496 | 1585 | 1676 | 1769 | 15 |
| 108 (274.4) | 405 | 500 | 618 | 704 | 801 | 874 | 902 | 1032 | 1108 | 1164 | 1281 | 1372 | 1465 | 1559 | 1650 | 1741 | 1837 | 17 |
| 120 (304.8) | 425 | 533 | 656 | 744 | 849 | 924 | 951 | 1077 | 1164 | 1216 | 1343 | 1439 | 1536 | 1638 | 1736 | 1836 | 1932 | 17 |
| 132 (335.3) | 434 | 565 | 690 | 783 | 896 | 976 | 1001 | 1134 | 1226 | 1281 | 1423 | 1518 | 1623 | 1729 | 1835 | 1938 | 2044 | 18 |
| 144 (365.8) | 446 | 596 | 725 | 819 | 943 | 1022 | 1052 | 1189 | 1293 | 1353 | 1501 | 1600 | 1710 | 1819 | 1928 | 2035 | 2144 | 19 |
| 156 (396.3) | 457 | 628 | 769 | 864 | 987 | 1071 | 1108 | 1245 | 1357 | 1423 | 1577 | 1680 | 1794 | 1909 | 2024 | 2134 | 2245 | 21 |
| 168 (426.8) | 466 | 664 | 801 | 902 | 1039 | 1124 | 1158 | 1300 | 1416 | 1493 | 1653 | 1760 | 1876 | 1993 | 2113 | 2229 | 2346 | 23 |
| 180 (457.2) | 472 | 693 | 840 | 940 | 1083 | 1173 | 1209 | 1423 | 1484 | 1561 | 1730 | 1844 | 1965 | 2086 | 2208 | 2327 | 2449 | 24 |
| 192 (487.7) | 488 | 724 | 874 | 981 | 1129 | 1220 | 1262 | 1477 | 1547 | 1628 | 1805 | 1927 | 2051 | 2175 | 2303 | 2425 | 2550 | 25 |

Add Surcharge to Blind Price

| | | | | | | | | | | | | | | | | | | |
|------------------------------|----|----|-----|-----|-----|-----|-----|-----|-----|-----|-----|-----|-----|-----|-----|-----|-----|---|
| Square-Corner Valance | 30 | 45 | 50 | 59 | 65 | 67 | 70 | 76 | 84 | 90 | 99 | 105 | 113 | 119 | 128 | 134 | 141 | |
| Round-Corner Valance* | 33 | 50 | 56 | 67 | 72 | 75 | 77 | 90 | 99 | 102 | 114 | 122 | 130 | 138 | 149 | 158 | 167 | |
| Double Round-Corner Valance* | 66 | 99 | 112 | 134 | 142 | 149 | 154 | 180 | 197 | 203 | 227 | 242 | 258 | 276 | 298 | 315 | 334 | |
| Stay Clear™ Channel Panel | 44 | 71 | 123 | 158 | 176 | 201 | 230 | 245 | 268 | 286 | 321 | 342 | 365 | 387 | 409 | 432 | 455 | 7 |

*Round-corner valances available up to 175" (144.5 cm) only on vinyl vertical blinds.

NOTE: One Touch® Control outlined in the chart above. Maximum overall blind size is 10,080 square inches (6.5 m²). Available at no charge.

G-85 Dura-Vue®

| Height up to inches (cm) ↓ | Width up to inches (cm) → | | | | | | | | | | | | | | | | Vanes Only |
|----------------------------|---------------------------|-----------|----------|------------|------------|------------|------------|-----------|-------------|-------------|-------------|-------------|-------------|-------------|-----------|--------------|------------|
| | 25 (63.5) | 38 (96.6) | 50 (127) | 63 (160.1) | 75 (190.5) | 85 (215.9) | 88 (223.6) | 100 (254) | 113 (287.1) | 120 (304.8) | 132 (335.3) | 144 (365.8) | 154 (391.2) | 164 (416.6) | 174 (442) | 178¾ (454.1) | |
| 48 (122) | 243 | 296 | 350 | 388 | 448 | 484 | 493 | 562 | 607 | 635 | 697 | 744 | 798 | 853 | 901 | 954 | 11 |
| 60 (152.4) | 262 | 316 | 379 | 419 | 474 | 514 | 527 | 597 | 655 | 674 | 744 | 797 | 854 | 907 | 963 | 1020 | 13 |
| 72 (182.9) | 274 | 338 | 400 | 443 | 503 | 543 | 557 | 639 | 691 | 719 | 797 | 843 | 901 | 961 | 1021 | 1080 | 13 |
| 84 (213.4) | 286 | 352 | 426 | 474 | 532 | 579 | 590 | 673 | 729 | 761 | 840 | 893 | 958 | 1021 | 1083 | 1147 | 15 |
| 96 (243.9) | 304 | 375 | 448 | 500 | 562 | 607 | 620 | 715 | 768 | 804 | 889 | 947 | 1013 | 1079 | 1145 | 1211 | 15 |
| 108 (274.4) | 330 | 387 | 473 | 527 | 593 | 647 | 658 | 749 | 808 | 847 | 935 | 999 | 1070 | 1140 | 1205 | 1275 | 17 |
| 120 (304.8) | 335 | 415 | 500 | 557 | 632 | 684 | 697 | 799 | 858 | 889 | 986 | 1047 | 1121 | 1197 | 1271 | 1345 | 17 |
| 132 (335.3) | 342 | 443 | 529 | 592 | 669 | 724 | 740 | 840 | 911 | 947 | 1047 | 1118 | 1194 | 1272 | 1348 | 1425 | 18 |
| 144 (365.8) | 350 | 473 | 559 | 622 | 713 | 767 | 785 | 888 | 964 | 1005 | 1112 | 1186 | 1263 | 1345 | 1423 | 1506 | 19 |

Add Surcharge to Blind Price

| | | | | | | | | | | | | | | | | | |
|------------------------------|----|----|-----|-----|-----|-----|-----|-----|-----|-----|-----|-----|-----|-----|-----|-----|---|
| Square-Corner Valance | 30 | 45 | 50 | 59 | 65 | 67 | 70 | 76 | 84 | 90 | 99 | 105 | 113 | 119 | 128 | 134 | |
| Round-Corner Valance* | 33 | 50 | 56 | 67 | 72 | 75 | 77 | 90 | 99 | 102 | 114 | 122 | 130 | 138 | 149 | 158 | |
| Double Round-Corner Valance* | 66 | 99 | 112 | 134 | 142 | 149 | 154 | 180 | 197 | 203 | 227 | 242 | 258 | 276 | 298 | 315 | |
| Stay Clear™ Channel Panel | 44 | 71 | 123 | 158 | 176 | 201 | 230 | 245 | 268 | 286 | 321 | 342 | 365 | 387 | 409 | 432 | 7 |

*Round-corner valances available up to 175" (144.5 cm) only on vinyl vertical blinds.

NOTE: One Touch® Control outlined in the chart above. Maximum overall blind size is 10,080 square inches (6.5 m²). Available at no charge.

| Fabric: Baskerville | | | | | |
|----------------------------|------|---------|------|-----------|------|
| Caffeine | 0393 | Havarti | 0390 | Provalone | 0391 |
| Gouda | 0392 | | | | |

| Fabric: Brighton^o | | | | | |
|-------------------------------------|------|-------------|------|--------|------|
| Bark | 4205 | Platinum | 4250 | Tundra | 4201 |
| Bone | 4222 | Sugar Maple | 4202 | White | 4219 |
| Graham Cracker | 4203 | Toast | 4282 | | |

| Fabric: Harmony^o | | | | | |
|------------------------------------|------|--------|------|--------|------|
| Cityscape | 0232 | Pebble | 0230 | Tassel | 0231 |
| Glacial | 0233 | | | | |

| Fabric: Sheffield^o | | | | | |
|--------------------------------------|------|-----------|------|---------|------|
| Chelsea | 0201 | Meadow | 0207 | Windsor | 0203 |
| Eclipse | 0205 | Tuscon | 0204 | | |
| Henley | 0202 | Weathered | 0206 | | |

| Vinyl: Homespun II* | | | | | |
|----------------------------|------|-----------|------|-------|------|
| Beach | 9113 | Chocolate | 9114 | Ivory | 9111 |
| Butterscotch | 9112 | | | | |

| Vinyl: Lake Forest^Δ | | | | | |
|---------------------------------------|------|---------|------|-------|------|
| Cognac | 3771 | Natural | 3773 | Wheat | 3770 |
| Golden Oak | 3772 | | | | |

| Vinyl: Rapture* | | | | | |
|------------------------|------|---------|------|-------|------|
| Bleach | 3612 | Heather | 3610 | Steel | 3614 |

| Vinyl: Satin Stripe | | | | | |
|----------------------------|------|-------------|------|------|------|
| Imperial | 9489 | Sand | 9481 | Snow | 9485 |
| Ivory | 9480 | Silversmith | 9488 | | |

| Vinyl S-Shaped: Linen S* | | | | | |
|---------------------------------|------|---------|------|------|------|
| Café | 6263 | Granite | 6267 | Snow | 6260 |
| Cream | 6261 | Lakebed | 6266 | | |
| Ebony | 6265 | Lichen | 6262 | | |

| Vinyl S-Shaped: Quantum S | | | | | |
|----------------------------------|------|-------|------|-----------|------|
| Chevre | 3396 | Model | 3395 | Shipwreck | 3397 |
| Cream | 3391 | | | | |

* Available in coordinating 2" (5.1 cm) horizontal vinyl blinds.

Δ Available in coordinating Lake Forest® Faux Wood blinds.

o Some selections are available in coordinating LightWeaves® Roller, FashionPleat®, and EvenPleat® Shades.

Price Group D: Fabric: Devon, Grasses, Tahiti Weave, Thatch

Vinyl: Chenille, Parallels, Safari

Vinyl S-Shaped: Homespun II S

G-71 Super-Vue® and G-98 Ultra-Vue™

| Height up to inches (cm) ↓ | Width up to inches (cm) → | | | | | | | | | | | | | | | | | Vanes Only |
|-------------------------------|---------------------------|--------------|-------------|---------------|---------------|---------------|---------------|--------------|----------------|----------------|----------------|----------------|----------------|----------------|--------------|----------------|----------------|---------------|
| | 25 (63.5) | 38 (96.6) | 50 (127) | 63 (160.1) | 75 (190.5) | 85 (215.9) | 88 (223.6) | 100 (254) | 113 (287.1) | 120 (304.8) | 132 (335.3) | 144 (365.8) | 154 (391.2) | 164 (416.6) | 174 (442) | 184 (467.4) | 191 (485.2) | |
| 48 (122) | 374 | 461 | 563 | 645 | 744 | 814 | 834 | 949 | 1034 | 1076 | 1186 | 1266 | 1354 | 1443 | 1531 | 1620 | 1705 | 13 |
| 60 (152.4) | 396 | 497 | 605 | 683 | 779 | 856 | 886 | 1001 | 1088 | 1137 | 1256 | 1337 | 1435 | 1525 | 1621 | 1712 | 1808 | 16 |
| 72 (182.9) | 423 | 517 | 637 | 723 | 816 | 896 | 926 | 1056 | 1149 | 1195 | 1329 | 1416 | 1516 | 1616 | 1712 | 1816 | 1914 | 16 |
| 84 (213.4) | 438 | 541 | 671 | 762 | 865 | 939 | 972 | 1108 | 1206 | 1257 | 1392 | 1489 | 1589 | 1695 | 1796 | 1900 | 2003 | 16 |
| 96 (243.9) | 461 | 570 | 703 | 798 | 913 | 990 | 1022 | 1163 | 1263 | 1321 | 1463 | 1562 | 1672 | 1771 | 1882 | 1989 | 2097 | 19 |
| 108 (274.4) | 476 | 598 | 738 | 834 | 953 | 1043 | 1069 | 1220 | 1318 | 1384 | 1527 | 1632 | 1749 | 1862 | 1977 | 2086 | 2201 | 19 |
| 120 (304.8) | 509 | 630 | 777 | 886 | 1008 | 1103 | 1127 | 1285 | 1384 | 1444 | 1600 | 1705 | 1823 | 1942 | 2058 | 2181 | 2297 | 20 |
| 132 (335.3) | 517 | 675 | 833 | 939 | 1066 | 1167 | 1192 | 1357 | 1467 | 1536 | 1704 | 1822 | 1949 | 2074 | 2197 | 2325 | 2450 | 21 |
| 144 (365.8) | 534 | 722 | 886 | 991 | 1127 | 1229 | 1256 | 1427 | 1557 | 1627 | 1813 | 1936 | 2068 | 2199 | 2333 | 2470 | 2598 | 23 |
| 156 (396.3) | 542 | 768 | 935 | 1046 | 1186 | 1295 | 1322 | 1501 | 1641 | 1720 | 1916 | 2051 | 2191 | 2329 | 2473 | 2614 | 2750 | 24 |
| 168 (426.8) | 558 | 808 | 987 | 1103 | 1245 | 1357 | 1388 | 1571 | 1727 | 1808 | 2022 | 2165 | 2310 | 2457 | 2609 | 2751 | 2902 | 25 |
| 180 (457.2) | 569 | 855 | 1043 | 1158 | 1301 | 1418 | 1451 | 1643 | 1816 | 1900 | 2126 | 2278 | 2431 | 2589 | 2744 | 2897 | 3056 | 26 |
| 192 (487.7) | 581 | 896 | 1095 | 1216 | 1359 | 1482 | 1518 | 1712 | 1900 | 1992 | 2233 | 2389 | 2554 | 2716 | 2879 | 3040 | 3205 | 27 |

Add Surcharge to Blind Price

| | | | | | | | | | | | | | | | | | | |
|------------------------------|----|-----|-----|-----|-----|-----|-----|-----|-----|-----|-----|-----|-----|-----|-----|-----|-----|---|
| Square-Corner Valance | 32 | 48 | 57 | 65 | 70 | 74 | 75 | 86 | 98 | 100 | 111 | 119 | 129 | 136 | 143 | 154 | 161 | |
| Round-Corner Valance* | 37 | 57 | 65 | 74 | 79 | 84 | 92 | 102 | 110 | 114 | 129 | 136 | 145 | 156 | 165 | 174 | 183 | |
| Double Round-Corner Valance* | 75 | 114 | 130 | 146 | 158 | 168 | 184 | 203 | 219 | 227 | 256 | 271 | 291 | 310 | 330 | 348 | 365 | |
| Stay Clear™ Channel Panel | 44 | 71 | 123 | 158 | 176 | 201 | 230 | 245 | 268 | 286 | 321 | 342 | 365 | 387 | 409 | 432 | 455 | 7 |

*Round-corner valances available up to 175" (144.5 cm) only on vinyl vertical blinds.

NOTE: One Touch® Control outlined in the chart above. Maximum overall blind size is 10,080 square inches (6.5 m²). Available at no charge.

G-85 Dura-Vue®

| Height up to inches (cm) ↓ | Width up to inches (cm) → | | | | | | | | | | | | | | | | | Vanes Only |
|-------------------------------|---------------------------|--------------|-------------|---------------|---------------|---------------|---------------|--------------|----------------|----------------|----------------|----------------|----------------|----------------|--------------|-----------------|----|---------------|
| | 25 (63.5) | 38 (96.6) | 50 (127) | 63 (160.1) | 75 (190.5) | 85 (215.9) | 88 (223.6) | 100 (254) | 113 (287.1) | 120 (304.8) | 132 (335.3) | 144 (365.8) | 154 (391.2) | 164 (416.6) | 174 (442) | 178½ (454.1) | | |
| 48 (122) | 289 | 357 | 428 | 484 | 556 | 602 | 613 | 701 | 757 | 792 | 868 | 927 | 994 | 1056 | 1125 | 1190 | 13 | |
| 60 (152.4) | 311 | 386 | 458 | 509 | 585 | 640 | 655 | 744 | 805 | 840 | 927 | 988 | 1055 | 1126 | 1194 | 1263 | 16 | |
| 72 (182.9) | 327 | 405 | 486 | 542 | 613 | 671 | 689 | 785 | 856 | 888 | 986 | 1049 | 1122 | 1196 | 1270 | 1341 | 16 | |
| 84 (213.4) | 344 | 419 | 511 | 577 | 655 | 713 | 724 | 833 | 900 | 935 | 1036 | 1107 | 1188 | 1264 | 1341 | 1419 | 16 | |
| 96 (243.9) | 361 | 445 | 541 | 606 | 687 | 746 | 763 | 873 | 949 | 991 | 1090 | 1168 | 1247 | 1329 | 1408 | 1487 | 19 | |
| 108 (274.4) | 376 | 465 | 567 | 640 | 722 | 791 | 804 | 918 | 993 | 1036 | 1152 | 1225 | 1312 | 1397 | 1480 | 1568 | 19 | |
| 120 (304.8) | 398 | 493 | 602 | 675 | 767 | 839 | 854 | 973 | 1045 | 1088 | 1211 | 1285 | 1374 | 1464 | 1556 | 1642 | 20 | |
| 132 (335.3) | 406 | 530 | 646 | 720 | 815 | 890 | 904 | 1030 | 1118 | 1164 | 1297 | 1377 | 1475 | 1571 | 1666 | 1762 | 21 | |
| 144 (365.8) | 416 | 567 | 687 | 763 | 862 | 941 | 958 | 1088 | 1188 | 1238 | 1378 | 1470 | 1572 | 1674 | 1775 | 1879 | 23 | |

Add Surcharge to Blind Price

| | | | | | | | | | | | | | | | | | |
|------------------------------|----|-----|-----|-----|-----|-----|-----|-----|-----|-----|-----|-----|-----|-----|-----|-----|---|
| Square-Corner Valance | 32 | 48 | 57 | 65 | 70 | 74 | 75 | 86 | 98 | 100 | 111 | 119 | 129 | 136 | 143 | 154 | |
| Round-Corner Valance* | 37 | 57 | 65 | 74 | 79 | 84 | 92 | 102 | 110 | 114 | 129 | 136 | 145 | 156 | 165 | 174 | |
| Double Round-Corner Valance* | 75 | 114 | 130 | 146 | 158 | 168 | 184 | 203 | 219 | 227 | 256 | 271 | 291 | 310 | 330 | 348 | |
| Stay Clear™ Channel Panel | 44 | 71 | 123 | 158 | 176 | 201 | 230 | 245 | 268 | 286 | 321 | 342 | 365 | 387 | 409 | 432 | 7 |

*Round-corner valances available up to 175" (144.5 cm) only on vinyl vertical blinds.

NOTE: One Touch® Control outlined in the chart above. Maximum overall blind size is 10,080 square inches (6.5 m²). Available at no charge.

| Fabric: Devon | | | | | |
|----------------------|------|----------|------|--------|------|
| Abbot | 0032 | Plymouth | 0030 | Torbay | 0031 |
| Newton | 0033 | | | | |

| Fabric: Grasses | | | | | |
|------------------------|------|-------|------|------|------|
| Chestnut | 1713 | Maple | 1710 | Twig | 1711 |
| Hardwood | 1712 | | | | |

| Fabric: Tahiti Weave | | | | | |
|-----------------------------|------|---------|------|----------------|------|
| Autumn | 0455 | Bourbon | 0451 | Tortoise Shell | 0454 |
| Basket Weave | 0453 | Hudson | 0450 | | |

| Fabric: Thatch | | | | | |
|-----------------------|------|---------|------|--------|------|
| Coffee | 1565 | Natural | 1560 | Toffee | 1563 |

| Vinyl: Chenille | | | | | |
|------------------------|------|----------|------|-----------|------|
| Aluminum | 6801 | Cream | 6791 | Off White | 6790 |
| Chantarelle | 6802 | Filigree | 6799 | Syrah | 6800 |

| Vinyl: Parallels | | | | | |
|-------------------------|------|-------|------|----------|------|
| Amaretto | 6952 | Spice | 6951 | Waterloo | 6953 |
| Mesa | 6950 | | | | |

| Vinyl: Safari* | | | | | |
|-----------------------|------|----------|------|-------------|------|
| Buffalo | 3640 | Moccasin | 3643 | Stormy Sage | 3646 |
| Hearthstone | 3648 | Quarry | 3647 | | |

| Vinyl S-Shaped: Homespun II S | | | | | |
|--------------------------------------|------|-----------|------|-------|------|
| Beach | 9683 | Chocolate | 9684 | Ivory | 9681 |
| Butterscotch | 9682 | | | | |

*Available in coordinating 2" (5.1 cm) horizontal vinyl blinds.

**Price Group E: Fabric: Allure, Royale, Strings, Tuvalu, Urban Loft
Vinyl: Acropolis, Coronation, Kensington
Vinyl S-Shaped: Georgetown S**

G-71 Super-Vue® and G-98 Ultra-Vue™

| Height up to inches (cm) ↓ | Width up to inches (cm) → | | | | | | | | | | | | | | | | | Vanes Only |
|-------------------------------|---------------------------|--------------|-------------|---------------|---------------|---------------|---------------|--------------|----------------|----------------|----------------|----------------|----------------|----------------|--------------|----------------|----------------|---------------|
| | 25 (63.5) | 38 (96.6) | 50 (127) | 63 (160.1) | 75 (190.5) | 85 (215.9) | 88 (223.6) | 100 (254) | 113 (287.1) | 120 (304.8) | 132 (335.3) | 144 (365.8) | 154 (391.2) | 164 (416.6) | 174 (442) | 184 (467.4) | 191 (485.2) | |
| 48 (122) | 415 | 512 | 626 | 718 | 821 | 901 | 921 | 1046 | 1142 | 1192 | 1312 | 1400 | 1501 | 1596 | 1698 | 1793 | 1887 | 16 |
| 60 (152.4) | 437 | 551 | 667 | 752 | 864 | 949 | 978 | 1108 | 1205 | 1256 | 1391 | 1482 | 1585 | 1688 | 1794 | 1895 | 2002 | 18 |
| 72 (182.9) | 464 | 573 | 704 | 801 | 903 | 991 | 1026 | 1167 | 1269 | 1323 | 1469 | 1569 | 1677 | 1789 | 1895 | 2007 | 2117 | 23 |
| 84 (213.4) | 488 | 604 | 745 | 843 | 958 | 1039 | 1075 | 1226 | 1334 | 1392 | 1540 | 1649 | 1759 | 1874 | 1989 | 2103 | 2216 | 23 |
| 96 (243.9) | 512 | 633 | 777 | 880 | 1008 | 1097 | 1131 | 1286 | 1396 | 1464 | 1615 | 1729 | 1845 | 1964 | 2082 | 2199 | 2317 | 28 |
| 108 (274.4) | 528 | 661 | 816 | 921 | 1052 | 1152 | 1182 | 1351 | 1459 | 1529 | 1694 | 1806 | 1932 | 2057 | 2189 | 2313 | 2443 | 31 |
| 120 (304.8) | 559 | 697 | 861 | 978 | 1118 | 1222 | 1246 | 1420 | 1529 | 1598 | 1770 | 1887 | 2021 | 2151 | 2283 | 2410 | 2543 | 32 |
| 132 (335.3) | 573 | 747 | 919 | 1039 | 1181 | 1295 | 1321 | 1502 | 1623 | 1701 | 1886 | 2019 | 2157 | 2295 | 2433 | 2572 | 2713 | 33 |
| 144 (365.8) | 590 | 798 | 978 | 1099 | 1246 | 1360 | 1391 | 1581 | 1720 | 1798 | 2003 | 2141 | 2288 | 2434 | 2583 | 2732 | 2879 | 34 |
| 156 (396.3) | 605 | 847 | 1037 | 1162 | 1312 | 1432 | 1465 | 1657 | 1816 | 1906 | 2123 | 2268 | 2425 | 2577 | 2736 | 2892 | 3048 | 35 |
| 168 (426.8) | 616 | 894 | 1095 | 1222 | 1379 | 1502 | 1535 | 1740 | 1911 | 2002 | 2238 | 2394 | 2558 | 2722 | 2887 | 3049 | 3209 | 36 |
| 180 (457.2) | 632 | 948 | 1152 | 1281 | 1442 | 1571 | 1608 | 1817 | 2007 | 2103 | 2355 | 2518 | 2690 | 2863 | 3036 | 3206 | 3379 | 37 |
| 192 (487.7) | 643 | 991 | 1212 | 1342 | 1507 | 1643 | 1678 | 1895 | 2103 | 2202 | 2472 | 2645 | 2827 | 3009 | 3187 | 3366 | 3548 | 38 |

Add Surcharge to Blind Price

| | | | | | | | | | | | | | | | | | | |
|------------------------------|----|-----|-----|-----|-----|-----|-----|-----|-----|-----|-----|-----|-----|-----|-----|-----|-----|---|
| Square-Corner Valance | 35 | 54 | 63 | 74 | 77 | 83 | 89 | 95 | 108 | 112 | 125 | 132 | 141 | 152 | 160 | 170 | 180 | |
| Round-Corner Valance* | 39 | 61 | 74 | 83 | 89 | 95 | 99 | 112 | 124 | 128 | 143 | 154 | 163 | 174 | 186 | 196 | 207 | |
| Double Round-Corner Valance* | 79 | 122 | 146 | 166 | 177 | 191 | 197 | 223 | 247 | 254 | 286 | 306 | 326 | 348 | 372 | 391 | 413 | |
| Stay Clear™ Channel Panel | 44 | 71 | 123 | 158 | 176 | 201 | 230 | 245 | 268 | 286 | 321 | 342 | 365 | 387 | 409 | 432 | 455 | 7 |

*Round-corner valances available up to 175" (144.5 cm) only on vinyl vertical blinds.

NOTE: One Touch® Control outlined in the chart above. Maximum overall blind size is 10,080 square inches (6.5 m²). Available at no charge.

G-85 Dura-Vue®

| Height up to inches (cm) ↓ | Width up to inches (cm) → | | | | | | | | | | | | | | | | | Vanes Only |
|-------------------------------|---------------------------|--------------|-------------|---------------|---------------|---------------|---------------|--------------|----------------|----------------|----------------|----------------|----------------|----------------|--------------|-----------------|----|---------------|
| | 25 (63.5) | 38 (96.6) | 50 (127) | 63 (160.1) | 75 (190.5) | 85 (215.9) | 88 (223.6) | 100 (254) | 113 (287.1) | 120 (304.8) | 132 (335.3) | 144 (365.8) | 154 (391.2) | 164 (416.6) | 174 (442) | 178½ (454.1) | | |
| 48 (122) | 320 | 392 | 470 | 533 | 607 | 662 | 674 | 770 | 834 | 870 | 954 | 1019 | 1092 | 1164 | 1234 | 1306 | 16 | |
| 60 (152.4) | 341 | 426 | 504 | 559 | 642 | 704 | 719 | 817 | 887 | 923 | 1019 | 1085 | 1163 | 1238 | 1313 | 1388 | 18 | |
| 72 (182.9) | 359 | 445 | 535 | 596 | 674 | 738 | 757 | 861 | 935 | 975 | 1083 | 1154 | 1232 | 1315 | 1393 | 1475 | 23 | |
| 84 (213.4) | 381 | 461 | 562 | 632 | 719 | 783 | 797 | 913 | 989 | 1031 | 1141 | 1219 | 1302 | 1389 | 1475 | 1560 | 23 | |
| 96 (243.9) | 399 | 486 | 595 | 667 | 755 | 822 | 839 | 960 | 1044 | 1090 | 1197 | 1283 | 1372 | 1459 | 1549 | 1635 | 28 | |
| 108 (274.4) | 411 | 512 | 620 | 704 | 795 | 869 | 886 | 1011 | 1091 | 1141 | 1266 | 1346 | 1442 | 1535 | 1629 | 1722 | 31 | |
| 120 (304.8) | 435 | 542 | 662 | 741 | 842 | 922 | 934 | 1069 | 1150 | 1196 | 1330 | 1411 | 1511 | 1610 | 1707 | 1808 | 32 | |
| 132 (335.3) | 447 | 583 | 711 | 792 | 894 | 977 | 994 | 1130 | 1226 | 1278 | 1421 | 1514 | 1620 | 1727 | 1832 | 1936 | 33 | |
| 144 (365.8) | 458 | 620 | 755 | 839 | 948 | 1035 | 1051 | 1196 | 1302 | 1360 | 1515 | 1615 | 1728 | 1839 | 1952 | 2062 | 34 | |

Add Surcharge to Blind Price

| | | | | | | | | | | | | | | | | | |
|------------------------------|----|-----|-----|-----|-----|-----|-----|-----|-----|-----|-----|-----|-----|-----|-----|-----|---|
| Square-Corner Valance | 35 | 54 | 63 | 74 | 77 | 83 | 89 | 95 | 108 | 112 | 125 | 132 | 141 | 152 | 160 | 170 | |
| Round-Corner Valance* | 39 | 61 | 74 | 83 | 89 | 95 | 99 | 112 | 124 | 128 | 143 | 154 | 163 | 174 | 186 | 196 | |
| Double Round-Corner Valance* | 79 | 122 | 146 | 166 | 177 | 191 | 197 | 223 | 247 | 254 | 286 | 306 | 326 | 348 | 372 | 391 | |
| Stay Clear™ Channel Panel | 44 | 71 | 123 | 158 | 176 | 201 | 230 | 245 | 268 | 286 | 321 | 342 | 365 | 387 | 409 | 432 | 7 |

*Round-corner valances available up to 175" (144.5 cm) only on vinyl vertical blinds.

NOTE: One Touch® Control outlined in the chart above. Maximum overall blind size is 10,080 square inches (6.5 m²). Available at no charge.

| Fabric: Allure^o | | | | | |
|-----------------------------------|------|-------------|------|----------|------|
| Fog | 0511 | Latte | 0513 | Titanium | 0510 |
| Glimmer | 0512 | Still Water | 0514 | | |

| Fabric: Royale^o | | | | | |
|-----------------------------------|------|---------|------|-------|------|
| Granite | 0431 | Rapture | 0434 | Storm | 0432 |
| Ivory | 0430 | Saddle | 0433 | | |

| Fabric: Strings | | | | | |
|------------------------|------|------------|------|---------|------|
| Delicate | 4750 | Urban Mist | 4753 | Winsome | 4752 |
| Parfait | 4751 | | | | |

| Fabric: Tuvalu^o | | | | | |
|-----------------------------------|------|------------|------|-------------|------|
| Cream Caramel | 0440 | Cream Silk | 0441 | French Silk | 0442 |

| Fabric: Urban Loft | | | | | |
|---------------------------|------|---------|------|---------|------|
| Ductwork | 0380 | Rooftop | 0383 | Skyline | 0381 |
| Exposed Brick | 0382 | | | | |

| Vinyl: Acropolis | | | | | |
|-------------------------|------|-----------|------|----------|------|
| Laurel Wreath | 3134 | Olympus | 3130 | Poseidon | 3131 |
| Olive Oil | 3132 | Parthenon | 3133 | | |

| Vinyl: Coronation* | | | | | |
|---------------------------|------|--------------|------|---------|------|
| Decree | 3751 | Proclamation | 3752 | Sceptre | 3754 |
| Princess | 3750 | Royal Coach | 3753 | | |

| Vinyl: Kensington* | | | | | |
|---------------------------|------|----------|------|----------|------|
| Bellhop | 3255 | Passport | 3252 | Titanium | 3254 |
| Fresh Linens | 3250 | Room Key | 3253 | | |

| Vinyl S-Shaped: Georgetown S* | | | | | |
|--------------------------------------|------|---------------|------|-------|------|
| Capitol Hill | 6698 | National Mall | 6699 | Tawny | 6693 |
| Flax | 6697 | Smithsonian | 6700 | White | 6691 |

* Available in coordinating 2" (5.1 cm) horizontal vinyl blinds.
 o Some selections are available in coordinating LightWeaves® Roller, FashionPleat®, and EvenPleat® Shades.

Price Group F: Fabric: Compass, Crossweave, Network, Prescott

G-71 Super-Vue® and G-98 Ultra-Vue™

| | Width up to inches (cm) → | | | | | | | | | | | | | | | | Vanes Only | |
|-------------|---------------------------|--------------|-------------|---------------|---------------|---------------|---------------|--------------|----------------|----------------|----------------|----------------|----------------|----------------|--------------|----------------|------------|----------------|
| | 25 (63.5) | 38 (96.6) | 50 (127) | 63 (160.1) | 75 (190.5) | 85 (215.9) | 88 (223.6) | 100 (254) | 113 (287.1) | 120 (304.8) | 132 (335.3) | 144 (365.8) | 154 (391.2) | 164 (416.6) | 174 (442) | 184 (467.4) | | 191 (485.2) |
| 48 (122) | 462 | 579 | 702 | 808 | 921 | 1010 | 1037 | 1178 | 1286 | 1336 | 1478 | 1577 | 1684 | 1794 | 1901 | 2008 | 2118 | 21 |
| 60 (152.4) | 496 | 616 | 750 | 842 | 972 | 1065 | 1099 | 1246 | 1353 | 1414 | 1562 | 1664 | 1781 | 1894 | 2010 | 2130 | 2244 | 24 |
| 72 (182.9) | 521 | 644 | 788 | 895 | 1019 | 1118 | 1150 | 1310 | 1427 | 1489 | 1653 | 1763 | 1885 | 2006 | 2130 | 2249 | 2372 | 26 |
| 84 (213.4) | 549 | 675 | 833 | 949 | 1075 | 1170 | 1206 | 1380 | 1498 | 1566 | 1736 | 1852 | 1980 | 2107 | 2234 | 2362 | 2488 | 27 |
| 96 (243.9) | 579 | 710 | 874 | 990 | 1131 | 1232 | 1272 | 1444 | 1571 | 1645 | 1816 | 1940 | 2074 | 2210 | 2346 | 2480 | 2615 | 34 |
| 108 (274.4) | 596 | 742 | 916 | 1037 | 1184 | 1299 | 1331 | 1516 | 1638 | 1718 | 1901 | 2034 | 2175 | 2316 | 2460 | 2602 | 2746 | 36 |
| 120 (304.8) | 630 | 785 | 965 | 1099 | 1254 | 1376 | 1400 | 1600 | 1718 | 1797 | 1992 | 2123 | 2268 | 2422 | 2566 | 2714 | 2863 | 39 |
| 132 (335.3) | 645 | 840 | 1035 | 1167 | 1328 | 1451 | 1488 | 1690 | 1822 | 1913 | 2123 | 2266 | 2425 | 2581 | 2740 | 2896 | 3056 | 40 |
| 144 (365.8) | 665 | 895 | 1097 | 1235 | 1397 | 1532 | 1569 | 1781 | 1930 | 2024 | 2257 | 2409 | 2575 | 2744 | 2912 | 3077 | 3244 | 42 |
| 156 (396.3) | 682 | 951 | 1163 | 1301 | 1470 | 1611 | 1653 | 1871 | 2039 | 2134 | 2387 | 2557 | 2734 | 2914 | 3090 | 3268 | 3446 | 44 |
| 168 (426.8) | 692 | 1007 | 1223 | 1376 | 1547 | 1694 | 1738 | 1962 | 2139 | 2247 | 2523 | 2702 | 2889 | 3076 | 3262 | 3449 | 3637 | 45 |
| 180 (457.2) | 708 | 1061 | 1292 | 1443 | 1620 | 1769 | 1820 | 2053 | 2247 | 2364 | 2655 | 2844 | 3038 | 3236 | 3434 | 3629 | 3824 | 46 |
| 192 (487.7) | 724 | 1116 | 1353 | 1509 | 1694 | 1852 | 1904 | 2139 | 2357 | 2477 | 2789 | 2985 | 3191 | 3395 | 3602 | 3810 | 4011 | 51 |

Add Surcharge to Blind Price

| | | | | | | | | | | | | | | | | | | |
|------------------------------|----|-----|-----|-----|-----|-----|-----|-----|-----|-----|-----|-----|-----|-----|-----|-----|-----|---|
| Square-Corner Valance | 45 | 67 | 79 | 93 | 95 | 104 | 108 | 120 | 133 | 135 | 156 | 163 | 174 | 186 | 196 | 207 | 217 | |
| Round-Corner Valance* | 50 | 76 | 93 | 104 | 111 | 120 | 122 | 135 | 155 | 158 | 176 | 191 | 203 | 216 | 229 | 243 | 255 | |
| Double Round-Corner Valance* | 99 | 152 | 186 | 208 | 221 | 241 | 245 | 269 | 308 | 315 | 352 | 381 | 407 | 431 | 459 | 486 | 510 | |
| Stay Clear™ Channel Panel | 44 | 71 | 123 | 158 | 176 | 201 | 230 | 245 | 268 | 286 | 321 | 342 | 365 | 387 | 409 | 432 | 455 | 7 |

*Round-corner valances available up to 175" (144.5 cm) only on vinyl vertical blinds.

NOTE: One Touch® Control outlined in the chart above. Maximum overall blind size is 10,080 square inches (6.5 m²). Available at no charge.

G-85 Dura-Vue®

| | Width up to inches (cm) → | | | | | | | | | | | | | | | | Vanes Only |
|-------------|---------------------------|--------------|-------------|---------------|---------------|---------------|---------------|--------------|----------------|----------------|----------------|----------------|----------------|----------------|--------------|-----------------|------------|
| | 25 (63.5) | 38 (96.6) | 50 (127) | 63 (160.1) | 75 (190.5) | 85 (215.9) | 88 (223.6) | 100 (254) | 113 (287.1) | 120 (304.8) | 132 (335.3) | 144 (365.8) | 154 (391.2) | 164 (416.6) | 174 (442) | 178½ (454.1) | |
| 48 (122) | 360 | 448 | 534 | 602 | 688 | 746 | 765 | 869 | 945 | 985 | 1080 | 1156 | 1238 | 1320 | 1403 | 1483 | 21 |
| 60 (152.4) | 386 | 477 | 570 | 632 | 724 | 793 | 814 | 926 | 1001 | 1046 | 1156 | 1228 | 1315 | 1401 | 1483 | 1571 | 24 |
| 72 (182.9) | 410 | 503 | 604 | 675 | 765 | 836 | 859 | 976 | 1062 | 1104 | 1223 | 1306 | 1393 | 1483 | 1576 | 1665 | 26 |
| 84 (213.4) | 428 | 526 | 640 | 715 | 814 | 883 | 903 | 1035 | 1121 | 1169 | 1291 | 1378 | 1476 | 1572 | 1667 | 1763 | 27 |
| 96 (243.9) | 450 | 553 | 673 | 756 | 858 | 928 | 951 | 1086 | 1178 | 1230 | 1360 | 1454 | 1554 | 1654 | 1755 | 1857 | 34 |
| 108 (274.4) | 465 | 582 | 705 | 793 | 901 | 984 | 1000 | 1145 | 1232 | 1291 | 1433 | 1524 | 1630 | 1736 | 1837 | 1943 | 36 |
| 120 (304.8) | 493 | 614 | 746 | 840 | 953 | 1045 | 1059 | 1211 | 1302 | 1357 | 1505 | 1601 | 1711 | 1822 | 1936 | 2049 | 39 |
| 132 (335.3) | 505 | 661 | 800 | 894 | 1015 | 1107 | 1127 | 1284 | 1386 | 1450 | 1612 | 1717 | 1836 | 1959 | 2077 | 2198 | 40 |
| 144 (365.8) | 519 | 708 | 857 | 951 | 1072 | 1173 | 1197 | 1357 | 1473 | 1537 | 1719 | 1832 | 1960 | 2087 | 2215 | 2344 | 42 |

Add Surcharge to Blind Price

| | | | | | | | | | | | | | | | | | |
|------------------------------|----|-----|-----|-----|-----|-----|-----|-----|-----|-----|-----|-----|-----|-----|-----|-----|---|
| Square-Corner Valance | 45 | 67 | 79 | 93 | 95 | 104 | 108 | 120 | 133 | 135 | 156 | 163 | 174 | 186 | 196 | 207 | |
| Round-Corner Valance* | 50 | 76 | 93 | 104 | 111 | 120 | 122 | 135 | 155 | 158 | 176 | 191 | 203 | 216 | 229 | 243 | |
| Double Round-Corner Valance* | 99 | 152 | 186 | 208 | 221 | 241 | 245 | 269 | 308 | 315 | 352 | 381 | 407 | 431 | 459 | 486 | |
| Stay Clear™ Channel Panel | 44 | 71 | 123 | 158 | 176 | 201 | 230 | 245 | 268 | 286 | 321 | 342 | 365 | 387 | 409 | 432 | 7 |

*Round-corner valances available up to 175" (144.5 cm) only on vinyl vertical blinds.

NOTE: One Touch® Control outlined in the chart above. Maximum overall blind size is 10,080 square inches (6.5 m²). Available at no charge.

| | | | | | |
|----------------------------|------|-------------|------|---------------|------|
| Fabric: Compass | | | | | |
| Due North | 0072 | South Seas | 0071 | True West | 0070 |
| Fabric: Crossweave® | | | | | |
| Beechwood | 2510 | Tahiti | 2512 | Thatched Roof | 2513 |
| Brick | 2504 | | | | |
| Fabric: Network | | | | | |
| Medallion | 0372 | Quicksilver | 0371 | Seashell | 0370 |
| Fabric: Prescott | | | | | |
| Dune | 0172 | Fossil | 0171 | Mirage | 0170 |

ø Some selections are available in coordinating LightWeaves® Roller, FashionPleat®, and EvenPleat® Shades.

Price Group G: Sheer Vertical Blinds: Gossamer, Highlight

| Height up to inches (cm) ↓ | Width up to inches (cm) → | | | | | | | | | | | | Vanes Only | |
|-------------------------------|---------------------------|--------------|-------------|---------------|---------------|---------------|---------------|----------------|----------------|----------------|----------------|----------------|---------------|----------------|
| | 25 (63.5) | 38 (96.6) | 50 (127) | 63 (160.1) | 75 (190.5) | 85 (215.9) | 88 (223.6) | 101 (256.6) | 120 (304.8) | 144 (365.8) | 170 (431.8) | 178 (452.2) | | 191 (485.2) |
| 48 (122) | 1064 | 1300 | 1588 | 1887 | 2119 | 2444 | 2484 | 2765 | 3074 | 3492 | 4572 | 4835 | 5187 | 3 |
| 60 (152.4) | 1158 | 1569 | 1779 | 2009 | 2285 | 2484 | 2528 | 2800 | 3297 | 3944 | 4743 | 5012 | 5352 | 6 |
| 72 (182.9) | 1216 | 1588 | 1799 | 2027 | 2312 | 2503 | 2615 | 2932 | 3398 | 4053 | 4783 | 5053 | 5400 | 6 |
| 84 (213.4) | 1235 | 1612 | 1825 | 2056 | 2331 | 2528 | 2635 | 2959 | 3463 | 4327 | 4826 | 5100 | 5455 | 6 |
| 96 (243.9) | 1246 | 1642 | 1853 | 2085 | 2362 | 2558 | 2664 | 2985 | 3551 | 4395 | 4872 | 5144 | 5497 | 6 |
| 104 (264.2) | 1267 | 1647 | 1870 | 2108 | 2384 | 2581 | 2687 | 3003 | 3639 | 4466 | 4906 | 5183 | 5531 | 8 |

Add Surcharge to Blind Price

| Dauphine® Valance | No charge | | | | | | | | | | | | | |
|-----------------------------|-----------|-----|-----|-----|-----|-----|-----|-----|-----|-----|-----|-----|-----|--|
| Round-Corner Valance | 54 | 83 | 102 | 115 | 121 | 133 | 136 | 149 | 174 | 209 | 252 | 267 | 281 | |
| Double Round-Corner Valance | 108 | 166 | 203 | 229 | 243 | 265 | 271 | 298 | 348 | 417 | 504 | 534 | 562 | |

Sheer: Gossamer[§]

| | | | | | |
|-----------|------|-----------|------|-------|------|
| Champagne | 1720 | Snowstone | 1724 | White | 1725 |
| Parchment | 1722 | | | | |

Sheer: Highlight[§]

| | | | | | |
|-----------|------|-----------|------|-------|------|
| Champagne | 1740 | Snowstone | 1742 | White | 1741 |
|-----------|------|-----------|------|-------|------|

§Available in coordinating Graber® Artisan.

Price Group H: Sheer Vertical Blinds: Bengali, Cascade, Dijon

| Height up to inches (cm) ↓ | Width up to inches (cm) → | | | | | | | | | | | | Vanes Only | |
|-------------------------------|---------------------------|--------------|-------------|---------------|---------------|---------------|---------------|----------------|----------------|----------------|----------------|----------------|---------------|----------------|
| | 25 (63.5) | 38 (96.6) | 50 (127) | 63 (160.1) | 75 (190.5) | 85 (215.9) | 88 (223.6) | 101 (256.6) | 120 (304.8) | 144 (365.8) | 170 (431.8) | 178 (452.2) | | 191 (485.2) |
| 48 (122) | 1218 | 1481 | 1810 | 2153 | 2416 | 2786 | 2832 | 3149 | 3505 | 3976 | 5214 | 5514 | 5907 | 3 |
| 60 (152.4) | 1322 | 1795 | 2034 | 2288 | 2606 | 2832 | 2879 | 3192 | 3757 | 4496 | 5409 | 5715 | 6100 | 6 |
| 72 (182.9) | 1390 | 1814 | 2054 | 2312 | 2633 | 2856 | 2979 | 3341 | 3879 | 4619 | 5458 | 5761 | 6160 | 6 |
| 84 (213.4) | 1412 | 1844 | 2084 | 2347 | 2662 | 2879 | 3006 | 3373 | 3952 | 4938 | 5503 | 5814 | 6220 | 6 |
| 96 (243.9) | 1426 | 1874 | 2115 | 2375 | 2695 | 2921 | 3035 | 3405 | 4052 | 5014 | 5554 | 5868 | 6274 | 6 |
| 104 (264.2) | 1454 | 1884 | 2139 | 2407 | 2722 | 2946 | 3066 | 3427 | 4156 | 5099 | 5592 | 5910 | 6309 | 8 |

Add Surcharge to Blind Price

| Dauphine® Valance | No charge | | | | | | | | | | | | | |
|-----------------------------|-----------|-----|-----|-----|-----|-----|-----|-----|-----|-----|-----|-----|-----|--|
| Round-Corner Valance | 56 | 89 | 108 | 120 | 129 | 139 | 142 | 156 | 183 | 219 | 266 | 281 | 294 | |
| Double Round-Corner Valance | 112 | 177 | 215 | 241 | 256 | 278 | 284 | 310 | 365 | 437 | 531 | 562 | 588 | |

Bengali[§]

| | |
|------|------|
| Jute | 2760 |
|------|------|

Cascade[§]

| | |
|-----------|------|
| Champagne | 2080 |
|-----------|------|

Dijon

| | | | | | |
|--------|------|-------------|------|--------|------|
| Downey | 2221 | Extra White | 2220 | Stucco | 2222 |
|--------|------|-------------|------|--------|------|

§Available in coordinating Graber® Artisan.

Options Pricing

Vertical Blind Options

| | |
|--|--|
| Angled Window Blind | 441 surcharge added to price from G-71 charts using angled width and longest height |
| Angled Window Headrail | 441 surcharge added to price from G-71 replacement headrail chart using angled width |
| Bay and Corner Window | No charge |
| Bottom Chain and Clips (fabric vanes) | 48 |
| Bottom Chain (vinyl vanes) | 48 |
| Cut-Outs | 71 |
| Double-Round Corner Valance | See price charts for surcharge |
| Headrail Pricing | See headrail pricing |
| One Touch® Wand Control (standard) | No charge |
| Paired Blinds | Price as two blinds and add together; no surcharge |
| Projection Brackets: 4 3/8" (11.2 cm) | No charge |
| Replacement Valances | See price charts (same as valance surcharges) |
| Round-Corner Valance | See price charts for surcharge |
| Square-Corner Valance | See price charts for surcharge |
| Stacking Options | 45 per blind for center/uneven stack 45 per blind for opposite stack |
| Stay Clear™ | See price charts for surcharge |
| Channel Panels | See price charts for surcharge |
| Vane Replacements | See price charts |
| Wood Cornices and Valances | See cornices and valances product information guide |

Sheer Vertical Blind Options

| | |
|-----------------------------|---|
| Bay and Corner Window | No charge |
| Dauphine® Valance | No charge |
| Double Round-Corner Valance | See price charts for surcharge |
| Paired Blinds | Price as two separate blinds and add together |
| Round-Corner Valance | See price charts for surcharge |
| Vane Replacement | See price charts |
| Wood Cornices and Valances | See cornices and valances product information guide |

Vertical Blinds: Replacement Headrail Pricing

Width up to inches (cm) →

| | 25 (63.5) | 38 (96.6) | 50 (127) | 63 (160.1) | 75 (190.5) | 85 (215.9) | 88 (223.6) | 100 (254) | 113 (287.1) | 120 (304.8) | 132 (335.3) | 144 (365.8) | 158 (401.4) | 170 (431.8) | 177 (449.6) | 191 (485.2) |
|--------------------------------------|--------------|--------------|-------------|---------------|---------------|---------------|---------------|--------------|----------------|----------------|----------------|----------------|----------------|----------------|----------------|----------------|
| G-71 Super-Vue and G-98 Ultra-Vue | 87 | 135 | 177 | 223 | 264 | 302 | 310 | 353 | 395 | 427 | 467 | 508 | 551 | 597 | 616 | 672 |
| G-85 Dura-Vue | 75 | 115 | 144 | 181 | 210 | 240 | 244 | 280 | 313 | 340 | 370 | 405 | 433 | 472 | 486 | |

NOTE: Dura-Vue maximum size 178 3/4" (454.1 cm).

NOTE: Valance not included with replacement headrail. Must be ordered separately. See individual price chart for ordering.

NOTE: Replacement headrails include installation hardware.

Sheer Vertical Blinds: Replacement Headrail Pricing

Width up to inches (cm) →

| | 25 (63.5) | 38 (96.6) | 51 (129.6) | 63 (160.1) | 76 (193.1) | 85 (215.9) | 88 (223.6) | 101 (256.6) | 120 (304.8) | 144 (365.8) | 170 (431.8) | 178 (452.2) | 191 (485.2) |
|----------|--------------|--------------|---------------|---------------|---------------|---------------|---------------|----------------|----------------|----------------|----------------|----------------|----------------|
| Headrail | 115 | 175 | 231 | 290 | 347 | 386 | 404 | 461 | 549 | 659 | 777 | 808 | 873 |

Sheer Vertical Blinds: Replacement Valance Pricing

Round-Corner Valance

Width up to →

| | 25 (63.5) | 38 (96.6) | 51 (129.6) | 63 (160.1) | 76 (193.1) | 85 (215.9) | 88 (223.6) | 101 (256.6) | 120 (304.8) | 144 (365.8) | 170 (431.8) | 178 (452.2) | 191 (485.2) |
|----------------|--------------|--------------|---------------|---------------|---------------|---------------|---------------|----------------|----------------|----------------|----------------|----------------|----------------|
| Group G | 57 | 88 | 108 | 121 | 129 | 140 | 143 | 158 | 184 | 221 | 267 | 282 | 298 |
| Group H | 59 | 94 | 114 | 128 | 136 | 146 | 150 | 164 | 193 | 230 | 281 | 298 | 310 |

Double Round-Corner Valance

Width up to →

| | 25 (63.5) | 38 (96.6) | 51 (129.6) | 63 (160.1) | 76 (193.1) | 85 (215.9) | 88 (223.6) | 101 (256.6) | 120 (304.8) | 144 (365.8) | 170 (431.8) | 178 (452.2) | 191 (485.2) |
|----------------|--------------|--------------|---------------|---------------|---------------|---------------|---------------|----------------|----------------|----------------|----------------|----------------|----------------|
| Group G | 114 | 176 | 216 | 243 | 257 | 280 | 286 | 313 | 367 | 441 | 534 | 564 | 594 |
| Group H | 118 | 187 | 226 | 254 | 270 | 293 | 301 | 328 | 386 | 462 | 562 | 594 | 622 |

NOTE: Replacement valances include mounting hardware and returns.

Sheer Vertical Blinds: Replacement Fabric Pricing

Width up to inches (cm) →

| | 25 (63.5) | 38 (96.6) | 51 (129.6) | 63 (160.1) | 76 (193.1) | 85 (215.9) | 88 (223.6) | 101 (256.6) | 120 (304.8) | 144 (365.8) | 170 (431.8) | 178 (452.2) | 191 (485.2) |
|----------------|--------------|--------------|---------------|---------------|---------------|---------------|---------------|----------------|----------------|----------------|----------------|----------------|----------------|
| Chart G | 853 | 1296 | 1388 | 1669 | 1847 | 1915 | 2025 | 2271 | 2675 | 3171 | 3743 | 3916 | 4207 |
| Chart H | 984 | 1501 | 1617 | 1939 | 2179 | 2249 | 2384 | 2677 | 3161 | 3752 | 4427 | 4632 | 4975 |

Sheer Vertical Blinds: Replacement Valance Fabric Only Pricing

Width up to inches (cm) →

| | 25 (63.5) | 38 (96.6) | 51 (129.6) | 63 (160.1) | 76 (193.1) | 85 (215.9) | 88 (223.6) | 101 (256.6) | 120 (304.8) | 144 (365.8) | 170 (431.8) | 178 (452.2) | 191 (485.2) |
|----------------------------|--------------|--------------|---------------|---------------|---------------|---------------|---------------|----------------|----------------|----------------|----------------|----------------|----------------|
| Valance Fabric Only | 20 | 27 | 44 | 55 | 60 | 68 | 71 | 81 | 101 | 118 | 141 | 144 | 155 |

Replacement Dauphine® Valance with Shirred Fabric Pricing

Width up to inches (cm) →

| | 25 (63.5) | 38 (96.6) | 51 (129.6) | 63 (160.1) | 76 (193.1) | 85 (215.9) | 88 (223.6) | 101 (256.6) | 120 (304.8) | 144 (365.8) | 170 (431.8) | 178 (452.2) | 191 (485.2) |
|----------------|--------------|--------------|---------------|---------------|---------------|---------------|---------------|----------------|----------------|----------------|----------------|----------------|----------------|
| Chart G | 103 | 152 | 203 | 258 | 310 | 361 | 366 | 431 | 494 | 608 | 718 | 754 | 805 |
| Chart H | 118 | 176 | 234 | 284 | 339 | 380 | 394 | 448 | 534 | 644 | 764 | 793 | 855 |