



**GRABER.** | DELIGHT IN  
EVERY DETAIL

## Graber Horizontal Vinyl Blinds English/US Price Guide

# 2" HORIZONTAL VINYL BLINDS

## Product Information Guide

### Features and Size Considerations

2" Horizontal Vinyl Blinds: Slat Styles and Information	2
Size Considerations	2
Depth Requirements for Inside Mount	2

### Options

Summary	3
Control Options	4
Motorized Tilt Control	5
Multiple Blinds on One Headrail	6
Cloth Tapes	7
Cut-Out Blinds	7
NoHoles™ Option	7
Control Length Chart for Cords and Wands	7
Bay and Corner Windows	8
Valance Styles	9
How to Measure and Order Valances	9
How to Order Valance Returns	9

### General Information

Slat Count Table	10
Ladder Count Table	10
2" Horizontal Vinyl Product Detail	11

**GRABER®**

**DECEMBER 2021**

## Features and Size Considerations

- SureClose™ headrail 1½" x 2¼" with premium lightblocking features
- Non-lead vinyl slats offer superior privacy and room darkening
- Neutral street side appearance
- White vinyl bottomrail
- Color coordinated components
- All styles coordinate with Graber® Vinyl Vertical Blinds
- Wand tilt standard, cord tilt optional
- 2" single slat valance standard (other options available)
- Decorative cloth tapes or NoHoles™ available
- Limited lifetime warranty on headrail and components; three year warranty on slats

### 2" Horizontal Vinyl Blinds: Slat Styles and Information


Collection Name	Coordinates with Vertical Blinds	Neutral to Street Side	Light Control	Flame Retardant NFPA 701
Cachet	•	•	Roomdarkening	Yes
Coronation	•	•	Room darkening	Yes
Crown	•	•	Room darkening	Yes
Fiber	•	•	Room darkening	Yes
Georgetown	•	•	Room darkening	Yes
Homespun II	•	•	Room darkening	Yes
Kensington	•	•	Room darkening	Yes
Linen	•	•	Room darkening	Yes
Quantum	•	•	Room darkening	Yes
Rapture	•	•	Room darkening	Yes
Safari	•	•	Room darkening	Yes

### Size Considerations


Minimum Blind Width	9" outside mount 9½" inside mount
Minimum Blind Width (exceptions)	9" to 11 <sup>15</sup> / <sub>16</sub> " are center tilt only 16 <sup>1</sup> / <sub>16</sub> " minimum for same side controls
Maximum Single Blind Width	84"
Maximum Width (multiple blinds on one headrail)	120"
Minimum Blind Height	12"
Maximum Blind Height	108"

### Depth Requirements for Inside Mount

Headrail Dimensions (inches)	Minimum Depth Mount (inches)	Flush with Casing (inches)
1½ x 2¼	¾	Without valance: 2 <sup>5</sup> / <sub>16</sub> With standard valance: 3 <sup>3</sup> / <sub>16</sub> With double valance: 4



Partially recessed headrail in window casing/molding



Fully recessed headrail in window casing/molding

# Options

## Summary

The following is a list of options for 2" horizontal vinyl blinds. All options are available in all styles and colors. See detailed descriptions on the following pages.

### Control Type Options:

(see price charts for pricing and/or surcharges)

- Wand tilt (standard): no charge
- Cord tilt (optional): no charge
- Ring tilt and ring lift: no charge
- Motorized tilt: surcharge

### Blind Options—No Charge

- Bay or corner window
- Standard clear cord cleats
- Controls:
  - Standard control location (tilt left, lift right)
  - Same side control location (tilt right, lift right or tilt left, lift left)
  - Reverse control location (tilt right, lift left)
- Hold down brackets
- Projection brackets (not available on inside mount)
  - 2¾"
  - 4¾"
- Shims
- Special control length

### Blind Options—Surcharge

(see price charts for pricing and/or surcharges)

- Cloth tapes:
  - 1"
  - 1½"
- Cut-outs
- Double valance
- Multiple blinds on one headrail less than 84"
- Sky pole
  - 3 feet to 6½ feet
  - 5 feet to 9½ feet
- Wood cornice (see cornice and valance product information guide)
- Decorative cord cleats
- NoHoles™

# Options

## Control Options



### Cord Tilt

- No charge
- Optional



### Wand Tilt

- No charge
- Standard



### Ring Tilt

- No charge
- Optional
- Sky pole available for a surcharge for operation of the ring tilt



Sky Pole

# Options

## Motorized Tilt Control



Refer to motorization product information guide for additional options, sizing, and pricing

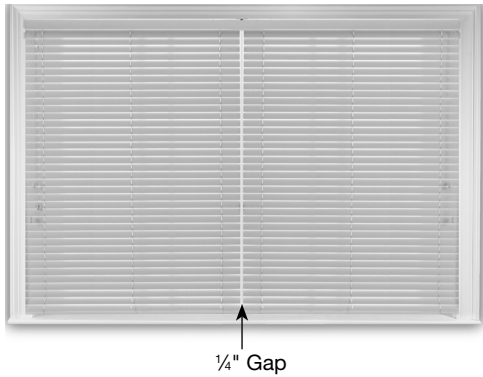
### Features

- Motorization will only tilt slats; raising or lowering the blind is manual with cord lift
- Provides easy operation of hard-to-reach or large window coverings
- A safer alternative to accessible cords that are traditionally used to operate window coverings; ideal for homes with children and pets
- Efficiently manages energy (heat gain and loss)
- Operate multiple window treatments simultaneously or individually
- Easily integrated with home automation systems
- Low voltage motorization requires no costly electrical hard-wiring
- Motor located on the left side within the headrail; lift is on the right side
- Not available with specialty shapes or hold down brackets
- Not available as multiple blinds on one headrail
- Available with multiple power and control options

**NOTE:** Refer to the motorization product information guide for control and power options.

# Options

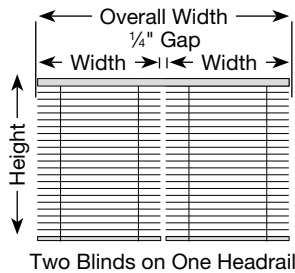
## Multiple Blinds on One Headrail



- **Surcharge:** blinds less than or equal to 84"
  - Two blinds on one headrail
  - See price charts
- **No charge:** blinds 84 $\frac{1}{16}$ " to 120"
- Two blinds can be installed on a single headrail to provide a practical treatment for larger windows or sliding patio doors
- Due to weight limitations, blinds over 84" must be manufactured as two blinds on one headrail.

Multiple Blinds	Maximum Overall Size for Multiple Blinds (inches)	Standard Control Locations	Gap (inches)
Two-On-One Headrail	120 x 108	Left panel (tilt and lift left) Right panel (tilt and lift right)	$\frac{1}{4}$ $\frac{1}{2}$ on NoHoles™

**NOTE:** Optional control positions may be requested. Lift position cannot be located in the center of the blind for two-on-one headrail.



### Measuring:

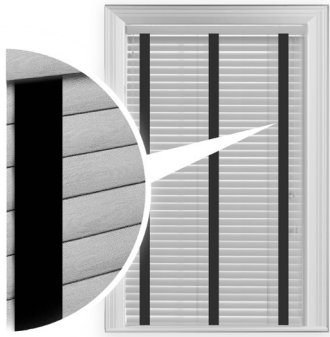
1. Measure overall width of the area to be covered. If space permits, an overlap of 1 $\frac{1}{2}$ " per side is recommended for outside mounts.
2. Measure the width of the area each blind is to cover. Measure and specify the left blind first, continuing to the right. Allow a minimum of  $\frac{1}{4}$ " between blinds for operating clearance.
3. Total width of all blinds, plus clearance(s) must equal overall width.
4. Measure height as follows:
  - a. For windows, use standard inside or outside measuring procedures.
  - b. For patio doors, measure height within  $\frac{3}{4}$ " of floor, either from ceiling or a point at least 6 $\frac{1}{2}$ " above the door frame. Check slat count table if blind is to completely clear the doorway.

### Ordering:

1. Indicate whether two or three blinds are to be mounted on one headrail.
2. Specify total width of headrail.
3. Indicate each panel width separately, specify left blind first, continuing to the right.
4. Specify control positions, if other than standard.
5. Add appropriate surcharge (if less than 84").

# Options

## Cloth Tapes



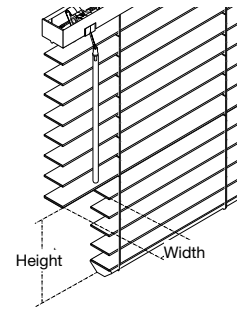
- For surcharge, see price charts
- Not available with NoHoles™
- Colors available:

1" Solid Tapes		1½" Solid Tapes	
Black	1033	Aztec Amber	2177
Cocoa	1297	Beige	2011
Duck White	1136	Black	2033
Toffee	1296	Chocolate	2353
White Smoke	1617	Cocoa	2297
		Dark Grey	2857
		Duck White	2136
		Golden Honey	2176
		Light Grey	2861
		Navy	2369
		Shadow Grey	2178
		Taupe	2659
		Toffee	2296
		White	2005
		White Smoke	2617

## Cut-Out Blinds



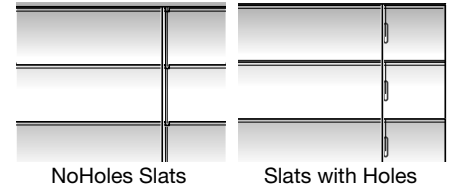
- For surcharge, see price charts
- Bottom corner and side cut-outs only
- Maximum cut-out is 1" before route hole or NoHoles notch (corner and side cut-outs only)
- Cut-outs are created with slats tilted in the closed position for maximum clearance
- The cut-out height may be larger than requested due to slat placement
- Measure height from the bottom of the blind up to the desired location



## NoHoles Option



- For surcharge, see price charts
- Provides maximum privacy and light control
- The design of the NoHoles option eliminates route holes, providing additional privacy and the best available light control
- Cleaning is simplified by sliding the NoHoles slats out and wiping clean, or keep the slats in place and vacuuming using a soft brush attachment
- Not available on blinds with cloth tape option



## Control Length Chart for Cords and Wands

Finished Blind Height (inches)	Wand Length (inches)	Cord Length
FBL LT/= 36	12	½ of blind height
36⅞ to 60	20	
60⅞ to 70	30	
70⅞ to 80	40	
80⅞ to 90	50	
90⅞ to 100	60	
100⅞ to 120	72	

**NOTE:** Above control lengths may not fit your control needs based on window location or operator. Special cords and wands may be requested at the time of ordering.



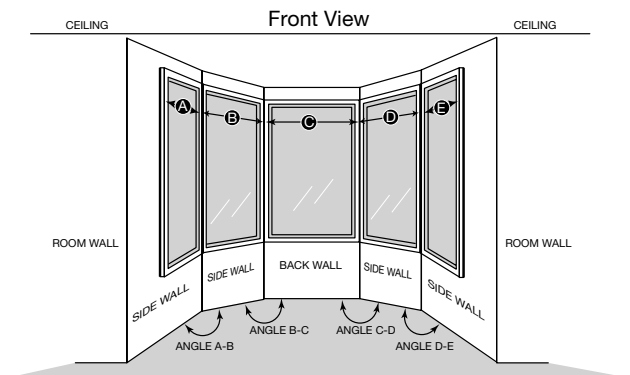
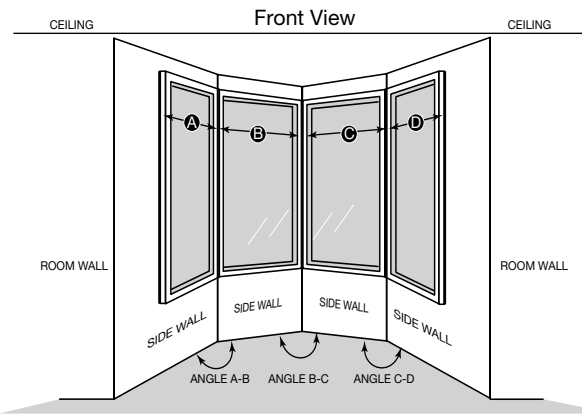
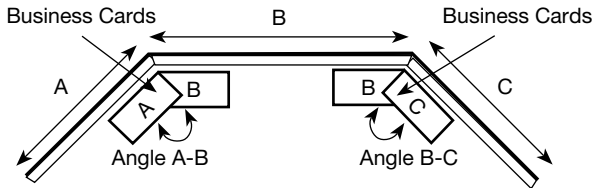
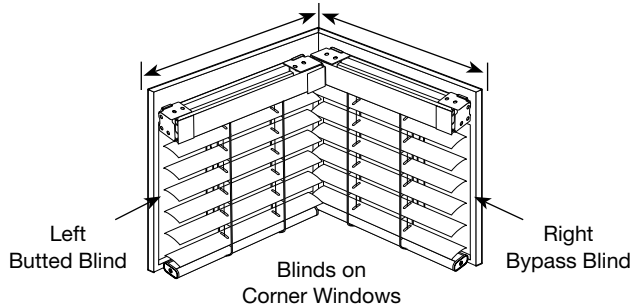
# Options

## Bay and Corner Windows

- Made as individual blinds to fit in bay or corner windows
- Each section will have its own control, we recommend opposite corners
- Indicate each blind with “bypass” or “butt”; bypass means the blind is mounted into the corner; butt means the blind is butted up to the other blind

- Must provide blind location (left and right blind)
- Slat alignment cannot be guaranteed on side by side blinds
- Manufacturer will take appropriate deductions for proper fit
- No additional charge
- Cornices are not available

**NOTE:** If you do not want manufacturer to take deductions, DO NOT order as bay or corner.



### Measuring Information

#### Corner Window

Measure:

Width of each window from corner to the point you would like to cover.

#### Three-Sided Bay Window

Measure:

A and C: Width of side windows from the corners to the point you would like the blind to cover.

B: Width of the center window from corner to corner.

Angle A-B: Angle between windows (A) and (B).

Angle B-C: Angle between windows (B) and (C).

#### Four-Sided Bay Window

Measure:

A and D: Width of side windows from the corners to the point you would like the blind to cover.

B and C: Width of each window from corner to corner.

Angle A-B: Angle between windows (A) and (B).

Angle B-C: Angle between windows (B) and (C).

Angle C-D: Angle between windows (C) and (D).

#### Five-Sided Bay Window

Measure:

A and E: Width of side windows from the corners to the point you would like the blind to cover.

B, C and D: Width of each center window from corner to corner.

Angle A-B: Angle between windows (A) and (B).

Angle B-C: Angle between windows (B) and (C).

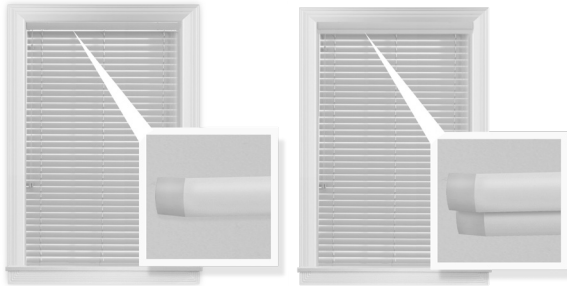
Angle C-D: Angle between windows (C) and (D).

Angle D-E: Angle between windows (D) and (E).

**NOTE:** Measure bay angle using protractor or angle finder, or use two business cards in bay corner as illustrated above trace angle onto paper and fax to customer service.

# Options

## Valance Styles



Standard Valance

Double Valance

### Standard Valance

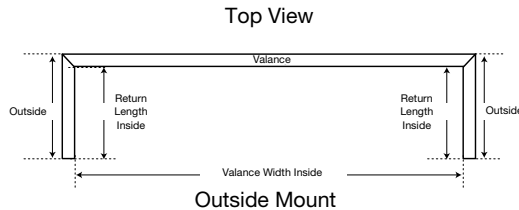
- No charge
- 2" single slat valance is standard and provides a finished look

### Double Valance

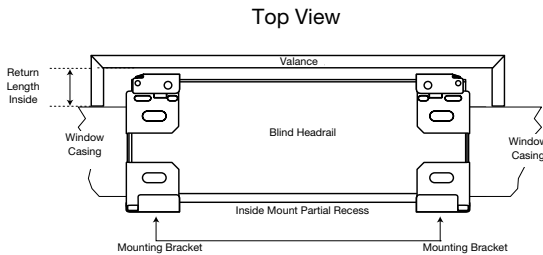
- Surcharge option
- Provides better headrail coverage for a more upscale look
- Height of double valance is 3"

Valance Type	Tilt Type	Return Length (inches)	Full Recess Depth (inches)	Inside Mount (inches)	Outside Mount (inches)
Standard	All	3 <sup>5</sup> / <sub>16</sub>	3 <sup>5</sup> / <sub>16</sub>	120 FBW	120 FBW
Double	All	3 <sup>15</sup> / <sub>16</sub>	4	120 FBW	120 FBW

## How to Measure and Order Valances



Outside Mount



Inside Mount

The appropriate valance (inside or outside mount) will be supplied with your blind order. For a more custom look, valance and returns may be special ordered.

**NOTE:** Valances with returns are measured and cut from the **INSIDE (BACKSIDE)** of the valance to ensure the most accurate fit when installed over the headrail or window frame.

### Outside Mount Valance

It is typically required that the valance is entered into the system and manufactured **WITH** returns. However, outside mount valances are available **WITHOUT** returns if needed.

**NOTE: FAXED** orders for outside mount valances will **AUTOMATICALLY** be entered with returns unless otherwise specified. Certain accounts that enter orders electronically **WILL BE REQUIRED TO SELECT WITH OR WITHOUT RETURNS** in their system during entry.

### Inside Mount Valance

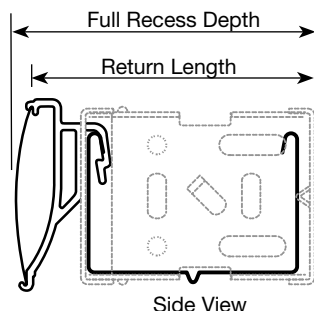
It is typically required for the valance to be entered in the system and manufactured **WITHOUT** returns.

**NOTE:** Valance without returns have ends that are cut straight and look best when the blind and valance are fully recessed into the window casing. However, inside mount valances are available **WITH** returns for blinds that are unable to be fully recessed into the window casing.

### Additional ordering information:

- If projection brackets are requested at the time of order for a valance with returns, longer returns will be automatically sent
- Please state at the time of order if the valance and return measurements are for the **EXACT** size required so that no additions or deductions are made

## How to Order Valance Returns



Side View

1. Full recess is from front of valance to wall.
2. Return length is from back of the valance corner to wall.

### Determining a special return length for **INSIDE MOUNT** blinds not fully recessed:

1. Using the chart above, locate the standard return length by selecting your valance type.
2. Measure the recessed space (depth) of your window casing.
3. Subtract the recessed space measurement from the standard return length.
4. The difference will be the special return length you will need to order for your **INSIDE MOUNT** valances.

**NOTE:** Minimum return length is 1<sup>3</sup>/<sub>4</sub>".

# General Information

## Slat Count Table

Finished Blind Height (inches)	Number of Slats	Finished Stack Height (inches)
12	7	
13	7	
14	8	
15	8	4 <sup>1</sup> / <sub>16</sub>
16	9	
17	10	
18	10	
19	11	
20	11	4 <sup>3</sup> / <sub>16</sub>
21	12	
22	12	
23	13	
24	14	
25	14	4 <sup>1</sup> / <sub>16</sub>
26	15	
27	15	
28	16	
29	16	
30	17	5
31	18	
32	18	
33	19	
34	19	
35	20	5 <sup>1</sup> / <sub>4</sub>
36	21	
37	21	
38	22	
39	22	
40	23	5 <sup>5</sup> / <sub>16</sub>
41	23	
42	24	
43	25	
44	25	

Finished Blind Height (inches)	Number of Slats	Finished Stack Height (inches)
45	26	5 <sup>5</sup> / <sub>16</sub>
46	26	
47	27	
48	27	
49	28	
50	29	6 <sup>1</sup> / <sub>16</sub>
51	29	
52	30	
53	30	
54	31	
55	31	6 <sup>1</sup> / <sub>2</sub>
56	32	
57	33	
58	33	
59	34	
60	34	6 <sup>3</sup> / <sub>4</sub>
61	35	
62	36	
63	36	
64	37	
65	37	7 <sup>1</sup> / <sub>16</sub>
66	38	
67	38	
68	39	
69	40	
70	40	7 <sup>3</sup> / <sub>16</sub>
71	41	
72	41	
73	42	
74	42	
75	43	7 <sup>1</sup> / <sub>16</sub>
76	44	
77	44	

Finished Blind Height (inches)	Number of Slats	Finished Stack Height (inches)
78	45	
79	45	
80	46	8
81	46	
82	47	
83	48	
84	48	
85	49	8 <sup>1</sup> / <sub>4</sub>
86	49	
87	50	
88	51	
89	51	
90	52	8 <sup>5</sup> / <sub>16</sub>
91	52	
92	53	
93	53	
94	54	
95	55	8 <sup>3</sup> / <sub>16</sub>
96	55	
97	56	
98	56	
99	57	
100	57	9 <sup>3</sup> / <sub>16</sub>
101	58	
102	59	
103	59	
104	60	
105	60	9 <sup>1</sup> / <sub>2</sub>
106	61	
107	62	
108	62	

**NOTE:** Finished heights include headrail and bottomrail.

## Ladder Count Table

### Standard or Reversed Controls

Finished Blind Width (inches)	Number of Ladders	Number of Lifts	Number of NoHoles™ Lifts
9 to 26	2	2	4
26 <sup>1</sup> / <sub>16</sub> to 44	3	3	6
44 <sup>1</sup> / <sub>16</sub> to 62	4	4	8
62 <sup>1</sup> / <sub>16</sub> to 84	5	5	10

### Same Side Controls

Finished Blind Width (inches)	Number of Ladders	Number of Lifts	Number of NoHoles Lifts
16 <sup>1</sup> / <sub>16</sub> to 30	2	2	4
30 <sup>1</sup> / <sub>16</sub> to 48	3	3	6
48 <sup>1</sup> / <sub>16</sub> to 66	4	4	8
66 <sup>1</sup> / <sub>16</sub> to 84	5	5	10

### Motorized Tilt

Finished Blind Width (inches)	Number of Ladders	Number of Lifts
19 to 30	2	2
30 <sup>1</sup> / <sub>16</sub> to 48	3	3
48 <sup>1</sup> / <sub>16</sub> to 66	4	4
66 <sup>1</sup> / <sub>16</sub> to 84	5	5

**NOTE:** On all inside mount blinds, take deduction BEFORE determining ladder and lift quantity. Cloth ladder quantity is the same as number of ladders listed above.

### Inside Mount:

Order width minus 1/2"

#### EXAMPLE:

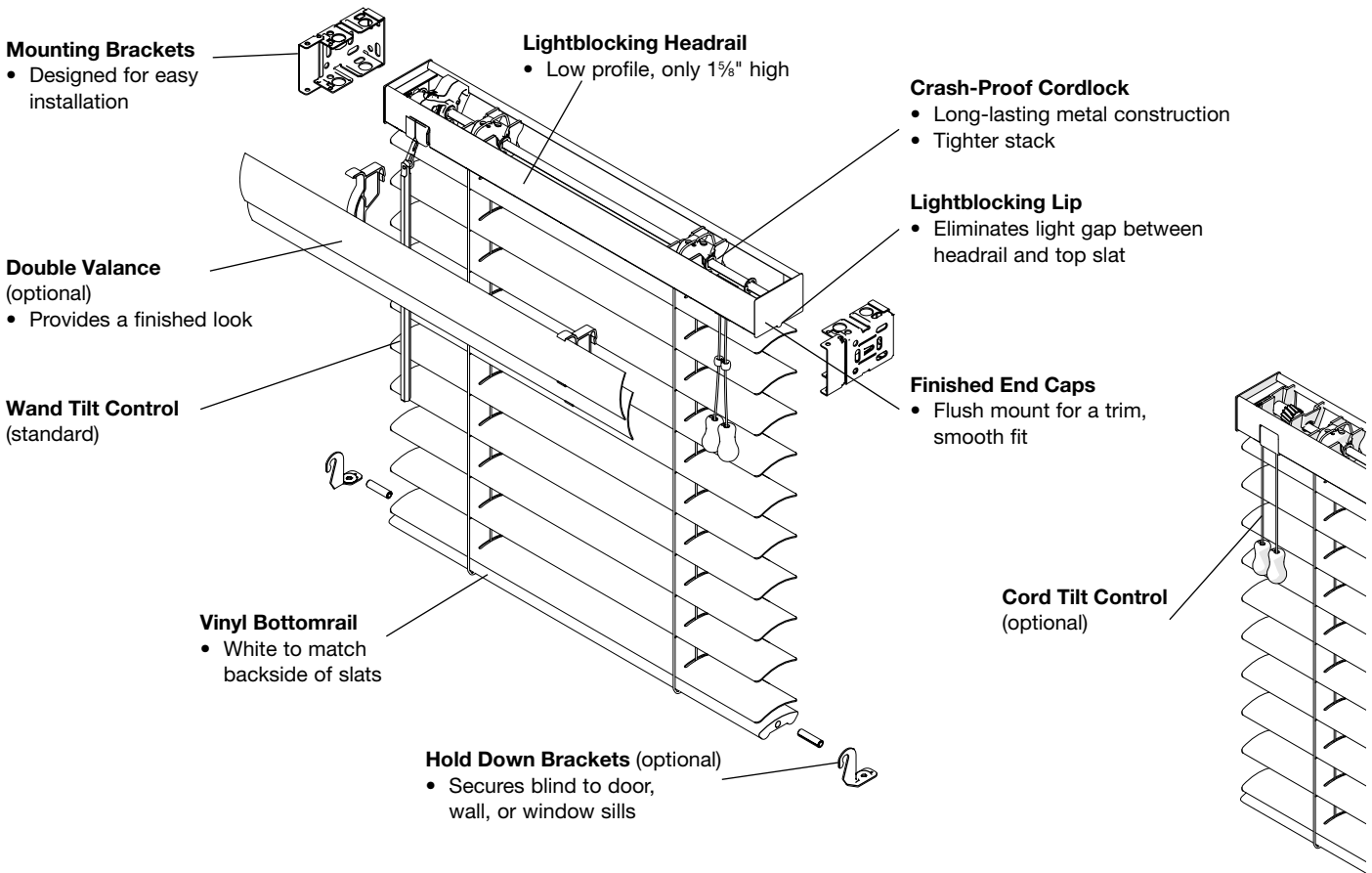
30" width inside mount blind minus 1/2" deduction equals 29 1/2" finished blind width

### Outside Mount: No deduction

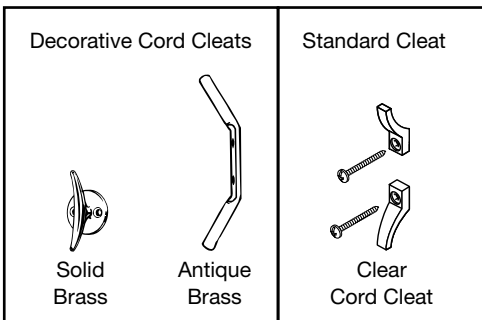
**NOTE:** Blinds with two lift cords will have two clear plastic cord stop beads located approximately 2" below the headrail. Cords will continue down, each ending in a tassel. Blinds with three or more lift cords will have cords joined together with a tassel approximately 2" below the headrail. Two individual cords will continue down each ending in a tassel.

# General Information

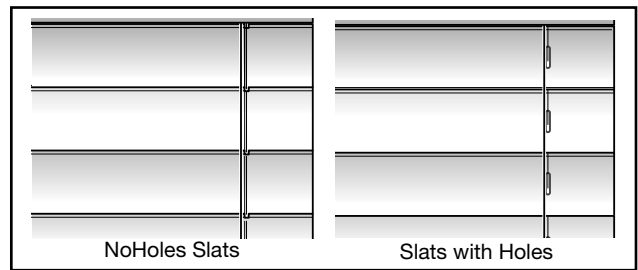
## 2" Horizontal Vinyl Product Detail



### Cord Management Options



### NoHoles™



# GRABER®

Graber is a brand of Springs Window Fashions, the Best Experience Company

Graber and the Graber logo are registered trademarks of Springs Window Fashions, LLC.

10004-111 (12/21) | 21-285050

# GRABER.

## Grabber 2" Horizontal Vinyl Blinds Designer US Price List — Effective January 2024

### Price Group A: 2" (5.1 cm) Horizontal Vinyl Blinds: Crown

Height up to inches (cm) ↓	Width up to inches (cm) →															
	18 (96)	24 (61)	31 (78.8)	36 (91.5)	42 (106.7)	48 (122)	54 (137.2)	60 (152.4)	66 (167.7)	72 (182.9)	78 (198.2)	84 (213.4)	90 (228.6)	96 (243.9)	108 (274.4)	120 (304.8)
42 (106.7)	182	155	193	217	258	268	284	341	368	382	406	436	483	515	578	656
48 (122)	192	168	215	240	274	294	316	377	403	427	450	483	535	572	632	716
54 (137.2)	207	179	223	261	299	317	341	416	436	462	488	524	579	620	689	776
60 (152.4)	224	197	241	274	321	341	368	445	473	500	521	560	621	662	749	844
66 (167.7)	238	208	263	294	341	371	397	476	508	541	567	613	669	715	803	910
72 (182.9)	251	221	277	317	368	397	422	516	541	579	605	656	717	765	862	974
78 (198.2)	262	237	299	339	397	422	454	541	579	613	645	695	769	818	907	1026
84 (213.4)	276	251	317	353	422	451	476	577	613	656	685	735	817	872	964	1090
90 (228.6)	292	263	339	371	436	473	500	613	645	695	727	781	859	915	1029	1162
96 (243.9)	303	274	353	397	462	496	535	640	684	727	766	823	910	974	1079	1217
102 (259.1)	317	291	368	416	483	524	558	670	717	769	808	869	962	1027	1134	1279
108 (274.4)	328	299	382	431	516	553	587	712	762	798	845	910	1009	1075	1195	1345

#### Surcharge: Valance Option

Double Valance	4	4	4	4	5	5	5	7	7	7	7	7	7	7	7	11
----------------	---	---	---	---	---	---	---	---	---	---	---	---	---	---	---	----

NOTE: Smallest width available 9" (22.9 cm) exact. Widths from 9" (22.9 cm) to 11 15/16" (30.4 cm) are center tilt only.  
NOTE: Maximum single blind width indicated by dotted line.

#### With Cloth Tapes or NoHoles™

Height up to inches (cm) ↓	Width up to inches (cm) →															
	18 (96)	24 (61)	31 (78.8)	36 (91.5)	42 (106.7)	48 (122)	54 (137.2)	60 (152.4)	66 (167.7)	72 (182.9)	78 (198.2)	84 (213.4)	90 (228.6)	96 (243.9)	108 (274.4)	120 (304.8)
42 (106.7)	219	186	232	261	310	322	341	410	442	459	488	524	580	618	694	788
48 (122)	231	202	258	288	329	353	380	453	484	513	540	580	642	687	759	860
54 (137.2)	249	215	268	314	359	381	410	500	524	555	586	629	695	744	827	932
60 (152.4)	269	237	290	329	386	410	442	534	568	600	626	672	746	795	899	1013
66 (167.7)	286	250	316	353	410	446	477	572	610	650	681	736	803	858	964	1092
72 (182.9)	302	266	333	381	442	477	507	620	650	695	726	788	861	918	1035	1169
78 (198.2)	315	285	359	407	477	507	545	650	695	736	774	834	923	982	1089	1232
84 (213.4)	332	302	381	424	507	542	572	693	736	788	822	882	981	1047	1157	1308
90 (228.6)	351	316	407	446	524	568	600	736	774	834	873	938	1031	1098	1235	1395
96 (243.9)	364	329	424	477	555	596	642	768	821	873	920	988	1092	1169	1295	1461
102 (259.1)	381	350	442	500	580	629	670	804	861	923	970	1043	1155	1233	1361	1535
108 (274.4)	394	359	459	518	620	664	705	855	915	958	1014	1092	1211	1290	1434	1614

#### Surcharge: Valance Option

Double Valance	4	4	4	4	5	5	5	7	7	7	7	7	7	7	7	11
----------------	---	---	---	---	---	---	---	---	---	---	---	---	---	---	---	----

NOTE: Smallest width available 9" (22.9 cm) exact. Widths from 9" (22.9 cm) to 11 15/16" (30.4 cm) are center tilt only.  
NOTE: Maximum single blind width indicated by dotted line.

#### Surcharge: Multiple Blinds on One Headrail

Blinds less than or equal to 84" (213.3 cm) wide	47 Two-on-one Headrail
Blinds 84 1/16" (213.6 cm) to 120" (304.8 cm) wide	No charge

#### Crown

Alabaster	3112	Ivory	3325	Tan	3093
Candelabra	3051	Misty Gray	3050	White	3205
Carob	3005	Satin White	3075		

## Price Group B: 2" (5.1 cm) Horizontal Vinyl Blinds: Cachet, Fiber, Linen, Quantum, Rapture

Height up to inches (cm) ↓	Width up to inches (cm) →															
	18 (96)	24 (61)	31 (78.8)	36 (91.5)	42 (106.7)	48 (122)	54 (137.2)	60 (152.4)	66 (167.7)	72 (182.9)	78 (198.2)	84 (213.4)	90 (228.6)	96 (243.9)	108 (274.4)	120 (304.8)
42 (106.7)	231	197	242	272	324	340	356	427	464	483	514	553	605	646	728	823
48 (122)	241	210	268	304	348	370	396	473	506	538	563	605	674	718	799	900
54 (137.2)	259	227	282	327	379	397	427	522	553	583	615	662	730	780	869	980
60 (152.4)	284	244	308	348	403	427	464	558	596	631	659	711	781	832	945	1064
66 (167.7)	299	261	329	370	427	467	499	599	642	684	716	771	844	899	1011	1148
72 (182.9)	316	276	350	397	464	499	532	647	684	730	765	823	906	962	1087	1223
78 (198.2)	328	297	379	424	499	532	574	684	730	771	815	875	966	1032	1140	1293
84 (213.4)	349	316	397	450	532	565	599	727	771	823	862	928	1030	1094	1218	1373
90 (228.6)	368	329	424	467	553	596	631	771	815	875	913	984	1082	1154	1295	1468
96 (243.9)	380	348	450	499	583	627	674	805	860	913	963	1040	1148	1223	1358	1532
102 (259.1)	397	364	464	522	605	662	703	845	906	966	1018	1093	1215	1294	1428	1615
108 (274.4)	417	379	483	543	647	695	740	894	960	1004	1066	1148	1271	1356	1506	1695

### Surcharge: Valance Option

Double Valance	5	5	5	5	7	7	7	9	9	11	11	15	15	17	20	21
----------------	---	---	---	---	---	---	---	---	---	----	----	----	----	----	----	----

NOTE: Smallest width available 9" (22.9 cm) exact. Widths from 9" (22.9 cm) to 11 15/16" (30.4 cm) are center tilt only.

NOTE: Maximum single blind width indicated by dotted line.

### With Cloth Tapes or NoHoles™

Height up to inches (cm) ↓	Width up to inches (cm) →															
	18 (96)	24 (61)	31 (78.8)	36 (91.5)	42 (106.7)	48 (122)	54 (137.2)	60 (152.4)	66 (167.7)	72 (182.9)	78 (198.2)	84 (213.4)	90 (228.6)	96 (243.9)	108 (274.4)	120 (304.8)
42 (106.7)	278	237	291	327	389	408	428	513	557	580	617	664	726	776	874	988
48 (122)	290	252	322	365	418	444	476	568	608	646	676	726	809	862	959	1080
54 (137.2)	311	273	339	393	455	477	513	627	664	700	738	795	876	936	1043	1176
60 (152.4)	341	293	370	418	484	513	557	670	716	758	791	854	938	999	1134	1277
66 (167.7)	359	314	395	444	513	561	599	719	771	821	860	926	1013	1079	1214	1378
72 (182.9)	380	332	420	477	557	599	639	777	821	876	918	988	1088	1155	1305	1468
78 (198.2)	394	357	455	509	599	639	689	821	876	926	978	1050	1160	1239	1368	1552
84 (213.4)	419	380	477	540	639	678	719	873	926	988	1035	1114	1236	1313	1462	1648
90 (228.6)	442	395	509	561	664	716	758	926	978	1050	1096	1181	1299	1385	1554	1762
96 (243.9)	456	418	540	599	700	753	809	966	1032	1096	1156	1248	1378	1468	1630	1839
102 (259.1)	477	437	557	627	726	795	844	1014	1088	1160	1222	1312	1458	1553	1714	1938
108 (274.4)	501	455	580	652	777	834	888	1073	1152	1205	1280	1378	1526	1628	1808	2034

### Surcharge: Valance Option

Double Valance	5	5	5	5	7	7	7	9	9	11	11	15	15	17	20	21
----------------	---	---	---	---	---	---	---	---	---	----	----	----	----	----	----	----

NOTE: Smallest width available 9" (22.9 cm) exact. Widths from 9" (22.9 cm) to 11 15/16" (30.4 cm) are center tilt only.

NOTE: Maximum single blind width indicated by dotted line.

### Surcharge: Multiple Blinds on One Headrail

Blinds less than or equal to 84" (213.3 cm) wide	47 Two-on-one Headrail
Blinds 84 1/16" (213.6 cm) to 120" (304.8 cm) wide	No charge

Cachet					
Ivory	3146	Shimmer Sage	3272	Tan	3280
Satin White	3275	Silver Dollar	3270	White	3274

Fiber					
Bloodroot	3014	Midnight	3125	Shale	3055
Buttercream	3122	Pebble	3056	White	3124
Cinnamon	3127	Sandstone	3120		

Linen					
Café	3022	Granite	3098	Snow	3028
Cream	3023	Lakebed	3096		
Ebony	3024	Lichen	3025		

Quantum					
Chevre	3099	Model	3068	Shipwreck	3100
Cream	3715				

Rapture					
Bleach	3034	Heather	3027	Steel	3039

**Price Group C: 2" (5.1 cm) Horizontal Vinyl Blinds: Coronation, Georgetown, Homespun II, Kensington, Safari**

Height up to inches (cm) ↓	Width up to inches (cm) →															
	18 (96)	24 (61)	31 (78.8)	36 (91.5)	42 (106.7)	48 (122)	54 (137.2)	60 (152.4)	66 (167.7)	72 (182.9)	78 (198.2)	84 (213.4)	90 (228.6)	96 (243.9)	108 (274.4)	120 (304.8)
42 (106.7)	268	233	287	321	380	396	417	500	541	561	600	645	712	758	851	963
48 (122)	284	243	316	353	405	432	462	555	593	630	662	712	793	842	930	1053
54 (137.2)	304	265	327	384	443	464	500	613	645	683	717	774	855	910	1018	1144
60 (152.4)	329	291	357	405	471	500	541	653	697	737	769	828	913	977	1106	1245
66 (167.7)	350	306	391	432	500	549	585	702	750	800	840	904	986	1052	1186	1345
72 (182.9)	368	324	409	464	541	585	621	759	800	855	895	963	1058	1126	1272	1434
78 (198.2)	388	349	443	496	585	621	669	800	855	904	952	1024	1134	1207	1335	1512
84 (213.4)	406	368	464	524	621	663	702	847	904	963	1009	1087	1206	1285	1425	1607
90 (228.6)	430	391	496	549	645	697	737	904	952	1024	1070	1153	1267	1351	1514	1715
96 (243.9)	446	405	524	585	683	730	793	943	1007	1070	1128	1218	1345	1434	1588	1791
102 (259.1)	464	426	541	613	712	774	821	987	1058	1134	1189	1279	1418	1513	1671	1889
108 (274.4)	489	443	561	636	759	815	867	1046	1123	1174	1246	1345	1486	1586	1761	1980

**Surcharge: Valance Option**

Double Valance	9	9	9	9	11	11	15	20	20	20	23	23	23	24	24	26
----------------	---	---	---	---	----	----	----	----	----	----	----	----	----	----	----	----

NOTE: Smallest width available 9" (22.9 cm) exact. Widths from 9" (22.9 cm) to 11 15/16" (30.4 cm) are center tilt only.  
NOTE: Maximum single blind width indicated by dotted line.

**With Cloth Tapes or NoHoles™**

Height up to inches (cm) ↓	Width up to inches (cm) →															
	18 (96)	24 (61)	31 (78.8)	36 (91.5)	42 (106.7)	48 (122)	54 (137.2)	60 (152.4)	66 (167.7)	72 (182.9)	78 (198.2)	84 (213.4)	90 (228.6)	96 (243.9)	108 (274.4)	120 (304.8)
42 (106.7)	322	280	345	386	456	476	501	600	650	674	720	774	855	910	1022	1156
48 (122)	341	292	380	424	486	519	555	666	712	756	795	855	952	1011	1116	1264
54 (137.2)	365	318	393	461	532	557	600	736	774	820	861	929	1026	1092	1222	1373
60 (152.4)	395	350	429	486	566	600	650	784	837	885	923	994	1096	1173	1328	1494
66 (167.7)	420	368	470	519	600	659	702	843	900	960	1008	1085	1184	1263	1424	1614
72 (182.9)	442	389	491	557	650	702	746	911	960	1026	1074	1156	1270	1352	1527	1721
78 (198.2)	466	419	532	596	702	746	803	960	1026	1085	1143	1229	1361	1449	1602	1815
84 (213.4)	488	442	557	629	746	796	843	1017	1085	1156	1211	1305	1448	1542	1710	1929
90 (228.6)	516	470	596	659	774	837	885	1085	1143	1229	1284	1384	1521	1622	1817	2058
96 (243.9)	536	486	629	702	820	876	952	1132	1209	1284	1354	1462	1614	1721	1906	2150
102 (259.1)	557	512	650	736	855	929	986	1185	1270	1361	1427	1535	1702	1816	2006	2267
108 (274.4)	587	532	674	764	911	978	1041	1256	1348	1409	1496	1614	1784	1904	2114	2376

**Surcharge: Valance Option**

Double Valance	9	9	9	9	11	11	15	20	20	20	23	23	23	24	24	26
----------------	---	---	---	---	----	----	----	----	----	----	----	----	----	----	----	----

NOTE: Smallest width available 9" (22.9 cm) exact. Widths from 9" (22.9 cm) to 11 15/16" (30.4 cm) are center tilt only.  
NOTE: Maximum single blind width indicated by dotted line.

**Surcharge: Multiple Blinds on One Headrail**

Blinds less than or equal to 84" (213.3 cm) wide	47	Two-on-one Headrail
Blinds 84 1/16" (213.6 cm) to 120" (304.8 cm) wide	No charge	

**Coronation**

Decree	3045	Proclamation	3043	Sceptre	3049
Princess	3046	Royal Coach	3047		

**Georgetown**

Capitol Hill	3072	National Mall	3078	Tawny	3070
Flax	3071	Smithsonian	3073	White	3065

**Homespun II**

Beach	3008	Chocolate	3011	Ivory	3006
Butterscotch	3007				

**Kensington**

Bellhop	3041	Passport	3037	Titanium	3040
Fresh Linens	3042	Room Key	3038		

**Safari**

Buffalo	3105	Moccasin	3106	Stormy Sage	3104
Hearthstone	3103	Quarry	3102		



## Valance Replacement Pricing

Width up to inches (cm) →

18	24	31	36	42	48	54	60	66	72	78	84	90	96	108	120
(96)	(61)	(78.8)	(91.5)	(106.7)	(122)	(137.2)	(152.4)	(167.7)	(182.9)	(198.2)	(213.4)	(228.6)	(243.9)	(274.4)	(304.8)

### Price Group A: Crown

<b>Standard</b>	23	23	23	25	25	25	29	29	35	35	36	38	42	48	52	52
<b>Double</b>	23	23	25	25	28	28	35	35	38	38	39	42	44	55	55	59

### Price Group B: Cachet, Fiber, Linen, Quantum, Rapture

<b>Standard</b>	23	23	25	25	25	25	29	29	35	35	36	38	42	48	52	55
<b>Double</b>	23	23	25	25	28	28	35	35	38	38	39	44	44	55	59	62

### Price Group C: Coronation, Georgetown, Homespun II, Kensington, Safari

<b>Standard</b>	25	25	28	28	29	29	38	38	44	44	44	47	52	65	65	67
<b>Double</b>	28	28	29	35	35	38	47	47	52	52	55	59	65	73	79	82

## Options Pricing

<b>Cloth Tapes</b>	See price charts
<b>Decorative Cord Cleats</b>	11 Solid brass cleat 6 Antique brass cleat
<b>Corner or Bay Window Cut-outs</b>	No charge 71
<b>Double Valance</b>	See price charts for ordering with blinds and previous chart for replacement pricing.
<b>Hold Down Brackets</b>	No charge
<b>Motorized Tilt</b>	See motorization product information guide
<b>Multiple Blinds on One Headrail</b>	No charge: Blinds 84 1/16" to 120" (213.6 cm to 304.8 cm) wide 47 for blinds less than or equal to 84" (213.4 cm) wide
<b>NoHoles™</b>	See price charts
<b>Projection Brackets (2 3/4" and 4 3/4") (7.0 cm and 12.1 cm)</b>	No charge (outside mount only)
<b>Shims (3/16") (0.5 cm)</b>	No charge
<b>Sky Poles</b>	49 3 to 6 1/2 feet (91.5 cm to 198.2 cm) 74 5 to 9 1/2 feet (152.4 cm to 289.6 cm)
<b>Wood Cornices</b>	See cornices and valances product information guide