

# 2" (5.1 CM) HORIZONTAL VINYL BLINDS

## Table of Contents

### Features and Size Considerations

2" (5.1 cm) Horizontal Vinyl Blinds: Slat Styles and Information .....	2
Size Considerations .....	2
Depth Requirements for Inside Mount .....	2

### Options

Summary .....	3
Control Options .....	4
Motorized Tilt Control .....	4
Multiple Blinds on One Headrail .....	5
Cloth Tapes .....	6
Cut-Out Blinds .....	6
NoHoles™ Option .....	6
Control Length Chart for Cords and Wands .....	6
Bay and Corner Windows .....	7
Valance Styles .....	8
How to Measure and Order Valances .....	8
How to Order Valance Returns .....	8

### General Information

Slat Count Table .....	9
Ladder Count Table .....	9
2" (5.1 cm) Horizontal Vinyl Product Detail .....	10

### Price Charts and Options Pricing

Price Group A: 2" (5.1 cm) Horizontal Vinyl Blinds: Crown .....	11
Price Group B: 2" (5.1 cm) Horizontal Vinyl Blinds: Cachet, Fiber, Linen, Quantum, Rapture .....	12
Price Group C: 2" (5.1 cm) Horizontal Vinyl Blinds: Coronation, Georgetown, Homespun II, Kensington, Safari .....	13
Valance Replacement Pricing .....	14
Options Pricing .....	14



## Features and Size Considerations

- SureClose® headrail 1½" x 2¼" (4.2 cm x 5.8 cm) with premium light-blocking features
- Non-lead vinyl slats offer superior privacy and room darkening
- Neutral street side appearance
- White vinyl bottomrail
- Color coordinated components
- All styles coordinate with Graber® Vinyl Vertical Blinds
- Cord tilt standard, wand tilt optional
- 2" (5.1 cm) single slat valance standard (other options available)
- Decorative cloth tapes or NoHoles™ available
- Limited lifetime warranty on headrail and components; three year warranty on slats

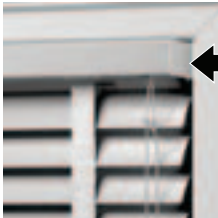

### 2" (5.1 cm) Horizontal Vinyl Blinds: Slat Styles and Information

Collection Name	Price Chart	Coordinates with Vertical Blinds	Neutral to Street Side	Light Control	Flame Retardant NFPA 701
Cachet	B	•	•	Room darkening	Yes
Coronation	C	•	•	Room darkening	Yes
Crown	A	•	•	Room darkening	Yes
Fiber	B	•	•	Room darkening	Yes
Georgetown	C	•	•	Room darkening	Yes
Homespun II	C	•	•	Room darkening	Yes
Kensington	C	•	•	Room darkening	Yes
Linen	B	•	•	Room darkening	Yes
Quantum	B	•	•	Room darkening	Yes
Rapture	B	•	•	Room darkening	Yes
Safari	C	•	•	Room darkening	Yes

### Size Considerations

Minimum Blind Width	9" (22.9 cm) outside mount 9½" (24.2 cm) inside mount
Minimum Blind Width (exceptions)	9" to 11¼" (22.9 cm to 30.4 cm) are center tilt only 12" to 16" (30.5 cm to 40.7 cm) standard or reverse standard controls only 16⅞" (40.8 cm) minimum for same side controls
Maximum Single Blind Width	84" (213.4 cm)
Maximum Width (multiple blinds on one headrail)	120" (304.8 cm)
Minimum Blind Height	10" (25.4 cm)
Maximum Blind Height	108" (274.4 cm)

### Depth Requirements for Inside Mount

<b>Headrail Dimensions</b> inches (cm)	 <p>Partially recessed headrail in window casing/molding</p>	 <p>Fully recessed headrail in window casing/molding</p>
<b>Headrail Dimensions</b> inches (cm)	<b>Minimum Depth Mount</b> inches (cm)	<b>Flush with Casing</b> inches (cm)
1½ x 2¼ (4.2 x 5.8)	¾ (2.0)	Without valance: 2⅝ (6.7) With standard valance: 3⅞ (8.5) With double valance: 4 (10.2)

# Options

## Summary

The following is a list of options for 2" (5.1 cm) horizontal vinyl blinds. All options are available in all styles and colors. See detailed descriptions on the following pages.

### Control Type Options:

(see price charts for pricing and/or surcharges)

- Cord tilt—no charge
- Ring tilt and ring lift—no charge
- Motorized tilt—surcharge
- Wand tilt—no charge

### Blind Options—No Charge

- Bay or corner window
- Standard clear cord cleats
- Controls:
  - Standard control location (tilt left, lift right)
  - Same side control location (tilt right, lift right or tilt left, lift left)
  - Reverse control location (tilt right, lift left)
- Hold down brackets
- Projection brackets
  - 2¾" (7.0 cm)
  - 4¾" (12.1 cm)
- Shims
- Special control length

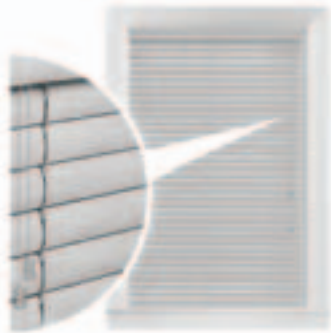
### Blind Options—Surcharge

(see price charts for pricing and/or surcharges)

- Cloth tapes:
  - 1" (2.6 cm)
  - 1½" (3.9 cm)
- Cut-outs
- Double valance
- Multiple blinds on one headrail less than 84" (213.4 cm)
- Sky pole
  - 3 feet to 6½ feet (0.9 m to 2.0 m)
  - 5 feet to 9½ feet (1.5 m to 2.9 m)
- Wood cornice (see cornice and valance price list)
- Decorative cord cleats
- NoHoles™

# Options

## Control Options



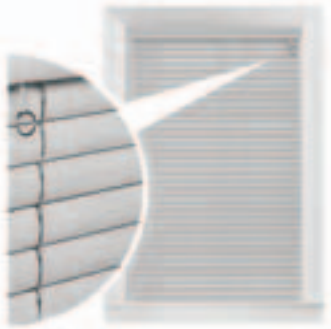
### Cord Tilt

- No charge
- Standard



### Wand Tilt

- No charge
- Optional



### Ring Tilt

- No charge
- Optional
- Sky pole available for a surcharge for operation of the ring tilt



Sky Pole

## Motorized Tilt Control



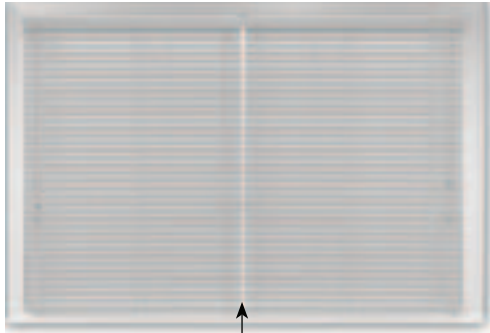
### Refer to motorization price list for additional options, sizing, and pricing

- Motorization tilt only; raising or lowering the blind is manual with cord lift
- Blinds can be operated from virtually anywhere in the home
- Provides easy operation of hard to reach or larger window coverings
- Efficiently manages energy (heat gain and loss)
- Tilt slats in groups of multiple window treatments simultaneously or individually
- Easily integrated with home automation systems
- Low voltage motorization requires no costly electrical hard-wiring
- Powered with batteries, solar power kit, or plug transformer
- Motor located on the left side within the headrail; cord lift is on the right side
- Multiple blinds on one headrail available; one motor and power source will operate all panels
- Not available with special shapes
- Not available with hold down brackets

Minimum Width	19" (48.3 cm)
Maximum Width	84" (213.4 cm)
Maximum Height	108" (274.4 cm)
Maximum Size	7,200 square inches (4.6 m <sup>2</sup> )

# Options

## Multiple Blinds on One Headrail

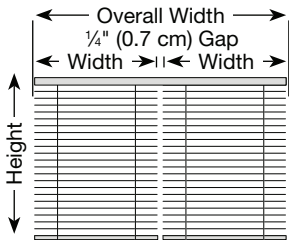


1/4" (0.7 cm) Gap

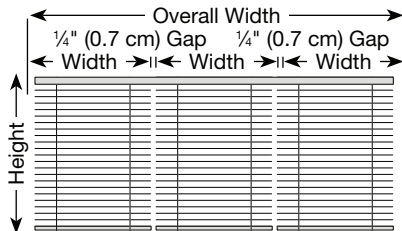
- **Surcharge:** blinds less than or equal to 84" (213.4 cm)
  - Two blinds on one headrail; three blinds on one headrail
  - See price charts and options pricing
- **No charge:** blinds 84<sup>1</sup>/<sub>16</sub>" to 120" (213.6 cm to 304.8 cm)
- Two or more blinds can be installed on a single headrail to provide a practical treatment for larger windows or sliding patio doors
- Due to weight limitations, blinds over 84" (213.4 cm) must be manufactured as two or three blinds on one headrail.

Multiple Blinds	Maximum Overall Size for Multiple Blinds inches (cm)	Standard Control Locations	Gap inches (cm)
Two on One Headrail	120 x 108 (304.8 x 274.3)	Left panel (tilt and lift left) Right panel (tilt and lift right)	1/4 (0.7) 1/2 (1.3) on NoHoles™
Three on One Headrail	120 x 108 (304.8 x 274.3)	Left panel (tilt and lift left) Right panel (tilt and lift right) Center panel (tilt left/lift right)	1/4 (0.7) 1/2 (1.3) on NoHoles

**NOTE:** Optional control positions may be requested.



Two Blinds on One Headrail



Three Blinds on One Headrail

### Measuring:

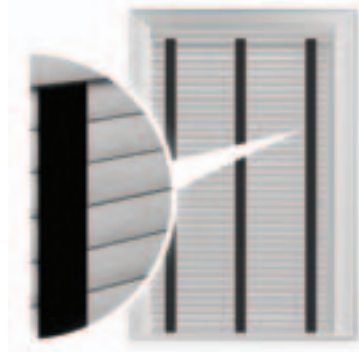
1. Measure overall width of the area to be covered. If space permits, an overlap of 1 1/2" (3.9 cm) per side is recommended for outside mounts.
2. Measure the width of the area each blind is to cover. Measure and specify the left blind first, continuing to the right. Allow a minimum of 1/4" (0.7 cm) between blinds for operating clearance.
3. Total width of all blinds, plus clearance(s) must equal overall width.
4. Measure height as follows:
  - a. For windows, use standard inside or outside measuring procedures.
  - b. For patio doors, measure height within 3/4" (2.0 cm) of floor, either from ceiling or a point at least 6 1/2" (16.6 cm) above the door frame. Check slat count table if blind is to completely clear the doorway.

### Ordering:

1. Indicate whether two or three blinds are to be mounted on one headrail.
2. Specify total width of headrail.
3. Indicate each panel width separately, specify left blind first, continuing to the right.
4. Specify control positions, if other than standard.
5. Add appropriate surcharge (if less than 84" (213.4 cm)).

# Options

## Cloth Tapes



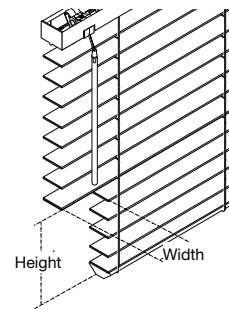
- For surcharge, see price charts
- Not available with NoHoles™
- Colors available:

1" (2.6 cm) Solid Tapes		1½" (3.9 cm) Solid Tapes	
Beige	1011	Beige	2011
Black	1033	Black	2033
Cocoa	1297	Chocolate	2353
Duck White	1136	Cocoa	2297
Toffee	1296	Dark Grey	2857
		Duck White	2136
		Light Beige	2137
		Light Grey	2861
		Maroon	2360
		Moss	2500
		Navy	2369
		Pecan	2403
		Taupe	2659
		Toffee	2296
		Wheat	2710
		White	2005
		White Smoke	2617

## Cut-Out Blinds



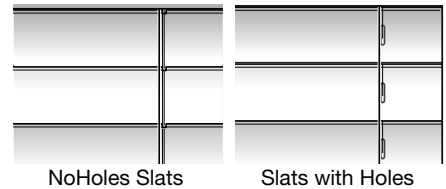
- For surcharge, see options pricing
- Bottom corner and side cut-outs only
- Maximum cut-out is 1" (2.6 cm) before route hole or NoHoles notch (corner and side cut-outs only)
- Cut-outs are created with slats tilted in the closed position for maximum clearance
- The cut-out height may be larger than requested due to slat placement
- Measure height from the bottom of the blind up to the desired location



## NoHoles™ Option



- For surcharge, see price charts
- Provides maximum privacy and light control
- The design of the NoHoles option eliminates route holes, providing additional privacy and the best available light control
- Cleaning is simplified by sliding the NoHoles slats out and wiping clean, or keep the slats in place and vacuuming using a soft brush attachment
- Not available on blinds with cloth tape option



## Control Length Chart for Cords and Wands

Finished Blind Height inches (cm)	Cord Length inches (cm)	Wand Length inches (cm)
Up to 32 (81.3)	14 (35.6)	12 (30.5)
32 <sup>7</sup> / <sub>16</sub> to 50 (81.5 to 127.0)	22 (55.9)	20 (50.8)
50 <sup>7</sup> / <sub>16</sub> to 70 (127.2 to 177.8)	32 (81.3)	30 (76.2)
70 <sup>7</sup> / <sub>16</sub> to 80 (178.0 to 203.2)	42 (106.7)	40 (101.6)
80 <sup>7</sup> / <sub>16</sub> to 87 (203.4 to 221.0)	52 (132.1)	50 (127.0)
87 <sup>7</sup> / <sub>16</sub> to 99 (221.2 to 251.5)	62 (157.5)	60 (152.4)
99 <sup>7</sup> / <sub>16</sub> to 108 (251.7 to 274.4)	74 (188.0)	72 (182.9)

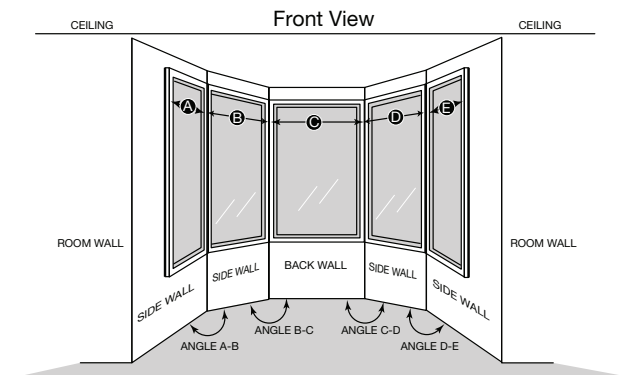
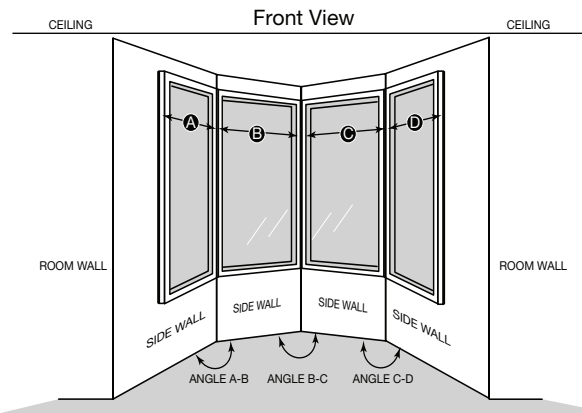
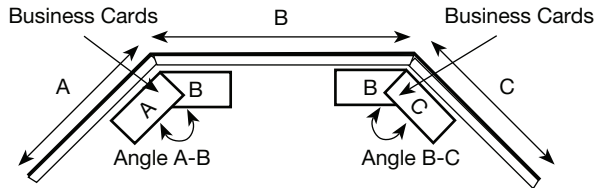
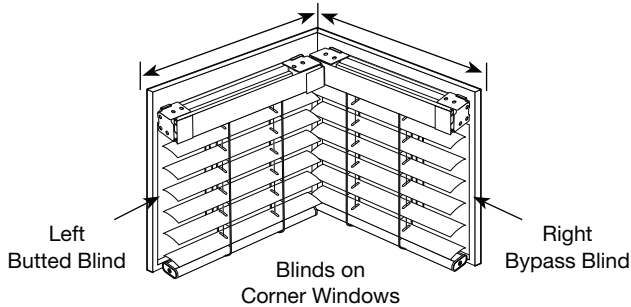
# Options

## Bay and Corner Windows

- Made as individual blinds to fit in bay or corner windows
- Each section will have its own control, we recommend opposite corners
- Indicate each blind with “bypass” or “butt”; bypass means the blind is mounted into the corner; butt means the blind is butted up to the other blind

- Must provide blind location (left and right blind)
- Slat alignment cannot be guaranteed on side by side blinds
- Manufacturer will take appropriate deductions for proper fit
- No additional charge
- Cornices are not available

**NOTE:** If you do not want manufacturer to take deductions DO NOT order as bay or corner.



## Measuring Information

### Corner Window

Measure:

Width of each window from corner to the point you would like to cover.

### Three-Sided Bay Window

Measure:

A and C: Width of side windows from the corners to the point you would like the blind to cover.

B: Width of the center window from corner to corner.

Angle A-B: Angle between windows (A) and (B).

Angle B-C: Angle between windows (B) and (C).

### Four-Sided Bay Window

Measure:

A and D: Width of side windows from the corners to the point you would like the blind to cover.

B and C: Width of each window from corner to corner.

Angle A-B: Angle between windows (A) and (B).

Angle B-C: Angle between windows (B) and (C).

Angle C-D: Angle between windows (C) and (D).

### Five-Sided Bay Window

Measure:

A and E: Width of side windows from the corners to the point you would like the blind to cover.

B, C and D: Width of each center window from corner to corner.

Angle A-B: Angle between windows (A) and (B).

Angle B-C: Angle between windows (B) and (C).

Angle C-D: Angle between windows (C) and (D).

Angle D-E: Angle between windows (D) and (E).

**NOTE:** Measure bay angle using protractor or angle finder, or use two business cards in bay corner as illustrated above trace angle onto paper and fax to customer service.

# Options

## Valance Styles



Standard Valance

Double Valance

### Standard Valance

- No charge
- 2" (5.1 cm) single slat valance is standard and provides a finished look

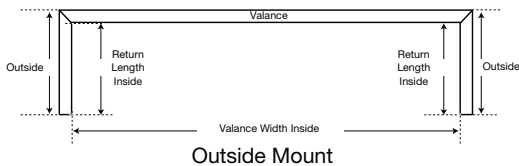
### Double Valance

- Surcharge option
- Provides better headrail coverage for a more upscale look
- Height of double valance is 3" (7.7 cm)

Valance Type	Tilt Type	Return Length inches (cm)	Full Recess Depth inches (cm)	Inside Mount inches (cm)	Outside Mount inches (cm)
Standard	All	3 <sup>5</sup> / <sub>16</sub> (8.5)	3 <sup>5</sup> / <sub>16</sub> (8.5)	120 (304.8) FBW	120 (304.8) FBW
Double	All	3 <sup>5</sup> / <sub>16</sub> (10.1)	4 (10.2)	120 (304.8) FBW	120 (304.8) FBW

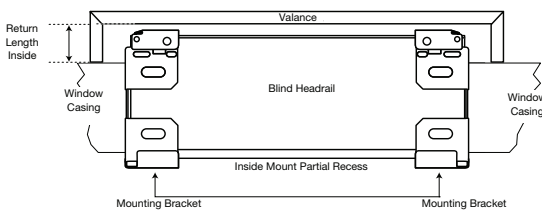
## How to Measure and Order Valances

Top View



Outside Mount

Top View



Inside Mount

The appropriate valance (inside or outside mount) will be supplied with your blind order. For a more custom look, valance and returns may be special ordered.

**NOTE:** Valances with returns are measured and cut from the **INSIDE (BACKSIDE)** of the valance to ensure the most accurate fit when installed over the headrail or window frame.

### Outside Mount Valance

It is typically required that the valance is entered into the system and manufactured **WITH** returns. However, outside mount valances are available **WITHOUT** returns if needed.

**NOTE: FAXED** orders for outside mount valances will **AUTOMATICALLY** be entered with returns unless otherwise specified. Certain accounts that enter orders electronically **WILL BE REQUIRED TO SELECT WITH OR WITHOUT RETURNS** in their system during entry.

### Inside Mount Valance

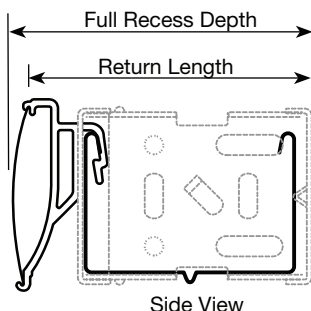
It is typically required for the valance to be entered in the system and manufactured **WITHOUT** returns.

**NOTE:** Valance without returns have ends that are cut straight and look best when the blind and valance are fully recessed into the window casing. However, inside mount valances are available **WITH** returns for blinds that are unable to be fully recessed into the window casing.

### Additional ordering information:

- If projection brackets are requested at the time of order for a valance with returns, longer returns will be automatically sent
- Please state at the time of order if the valance and return measurements are for the **EXACT** size required so that no additions or deductions are made

## How to Order Valance Returns



Side View

1. Full recess is from front of valance to wall.
2. Return length is from back of the valance corner to wall.

### Determining a special return length for **INSIDE MOUNT** blinds not fully recessed:

1. Using the chart above, locate the standard return length by selecting your valance type.
2. Measure the recessed space (depth) of your window casing.
3. Subtract the recessed space measurement from the standard return length.
4. The difference will be the special return length you will need to order for your **INSIDE MOUNT** valances.

**NOTE:** Minimum return length is 1" (2.6 cm).



# General Information

## Slat Count Table

Finished Blind Height	Number of Slats	Finished Stack Height inches (cm)
10	6	3 <sup>3</sup> / <sub>4</sub> (9.6)
11	6	
12	7	
13	7	
14	8	
15	8	4 <sup>1</sup> / <sub>16</sub> (10.4)
16	9	
17	10	
18	10	
19	11	
20	11	4 <sup>3</sup> / <sub>16</sub> (11.2)
21	12	
22	12	
23	13	
24	14	
25	14	4 <sup>11</sup> / <sub>16</sub> (12.0)
26	15	
27	15	
28	16	
29	16	
30	17	5 (12.7)
31	18	
32	18	
33	19	
34	19	
35	20	5 <sup>1</sup> / <sub>4</sub> (13.4)
36	21	
37	21	
38	22	
39	22	
40	23	5 <sup>5</sup> / <sub>16</sub> (14.2)
41	23	
42	24	

Finished Blind Height	Number of Slats	Finished Stack Height inches (cm)
43	25	
44	25	
45	26	5 <sup>7</sup> / <sub>16</sub> (15.0)
46	26	
47	27	
48	27	
49	28	
50	29	6 <sup>1</sup> / <sub>16</sub> (15.8)
51	29	
52	30	
53	30	
54	31	
55	31	6 <sup>1</sup> / <sub>2</sub> (16.6)
56	32	
57	33	
58	33	
59	34	
60	34	6 <sup>3</sup> / <sub>4</sub> (17.2)
61	35	
62	36	
63	36	
64	37	
65	37	7 <sup>1</sup> / <sub>16</sub> (18.0)
66	38	
67	38	
68	39	
69	40	
70	40	7 <sup>7</sup> / <sub>16</sub> (18.8)
71	41	
72	41	
73	42	
74	42	
75	43	7 <sup>11</sup> / <sub>16</sub> (19.6)

Finished Blind Height	Number of Slats	Finished Stack Height inches (cm)
76	44	
77	44	
78	45	
79	45	
80	46	8 (20.4)
81	46	
82	47	
83	48	
84	48	
85	49	8 <sup>1</sup> / <sub>4</sub> (21.0)
86	49	
87	50	
88	51	
89	51	
90	52	8 <sup>9</sup> / <sub>16</sub> (21.8)
91	52	
92	53	
93	53	
94	54	
95	55	8 <sup>7</sup> / <sub>8</sub> (22.6)
96	55	
97	56	
98	56	
99	57	
100	57	9 <sup>9</sup> / <sub>16</sub> (23.4)
101	58	
102	59	
103	59	
104	60	
105	60	9 <sup>1</sup> / <sub>2</sub> (24.2)
106	61	
107	62	
108	62	

**NOTE:** Finished heights include headrail and bottomrail.

## Ladder Count Table

### Standard or Reversed Controls

Finished Blind Width inches (cm)	Number of Ladders	Number of Lifts	Number of NoHoles™ Lifts
9 to 26 (22.9 to 66.1)	2	2	4
26 <sup>7</sup> / <sub>16</sub> to 44 (66.2 to 111.8)	3	3	6
44 <sup>1</sup> / <sub>16</sub> to 62 (112.0 to 157.5)	4	4	8
62 <sup>7</sup> / <sub>16</sub> to 84 (157.7 to 214.4)	5	5	10

### Same Side Controls

Finished Blind Width inches (cm)	Number of Ladders	Number of Lifts	Number of NoHoles Lifts
16 <sup>1</sup> / <sub>16</sub> to 30 (40.8 to 76.2)	2	2	4
30 <sup>3</sup> / <sub>16</sub> to 48 (76.4 to 122.0)	3	3	6
48 <sup>1</sup> / <sub>16</sub> to 66 (122.1 to 167.7)	4	4	8
66 <sup>7</sup> / <sub>16</sub> to 84 (167.8 to 213.4)	5	5	10

### Motorized Tilt

Finished Blind Width inches (cm)	Number of Ladders	Number of Lifts
19 to 30 (48.3 to 76.2)	2	2
30 <sup>3</sup> / <sub>16</sub> to 48 (76.4 to 122.0)	3	3
48 <sup>1</sup> / <sub>16</sub> to 66 (122.1 to 167.7)	4	4
66 <sup>7</sup> / <sub>16</sub> to 84 (167.8 to 213.4)	5	5

**NOTE:** On all inside mount blinds, take deduction BEFORE determining ladder and lift quantity. Cloth ladder quantity is the same as number of ladders listed above.

### Inside Mount:

Order width minus 1/2" (1.3 cm)

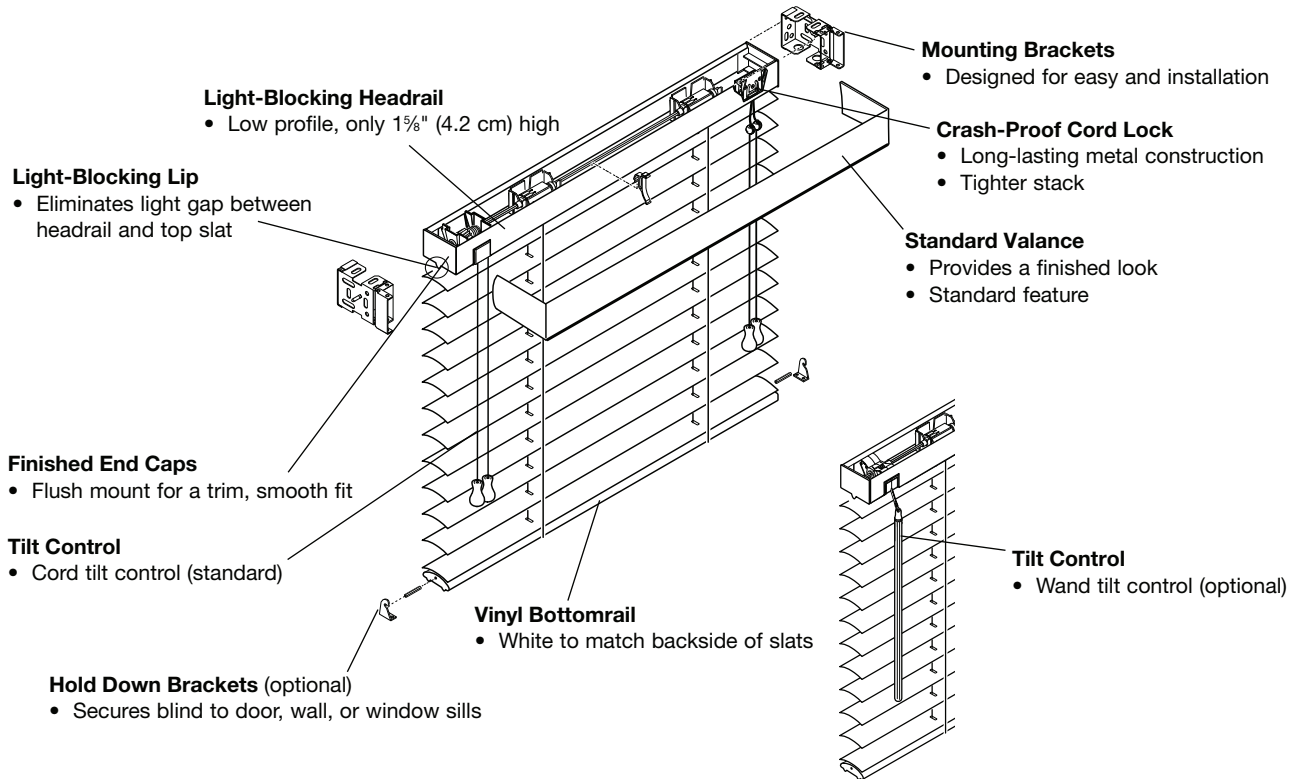
#### EXAMPLE:

30" (76.2 cm) width inside mount blind minus 1/2" (1.3 cm) deduction equals 29 1/2" (75.0 cm) finished blind width

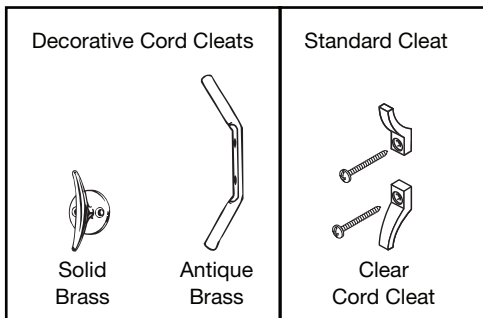
**Outside Mount:** No deduction

# General Information

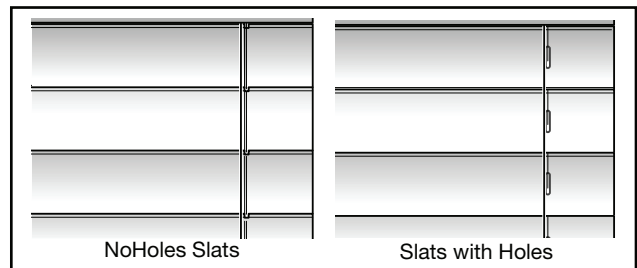
## 2" (5.1 cm) Horizontal Vinyl Product Detail



### Cord Management Options



### NoHoles™



# Price Charts

## Price Group A: 2" (5.1 cm) Horizontal Vinyl Blinds: Crown

Height up to inches (cm) ↓	Width up to inches (cm) →															
	18 (45.8)	24 (61.0)	31 (78.8)	36 (91.5)	42 (106.7)	48 (122.0)	54 (137.2)	60 (152.4)	66 (167.7)	72 (182.9)	78 (198.2)	84 (213.4)	90 (228.6)	96 (243.9)	108 (274.4)	120 (304.8)
42 (106.7)	\$121	104	128	144	171	178	188	226	245	254	270	290	320	341	384	435
48 (122.0)	127	110	142	160	182	195	209	250	268	284	298	320	356	379	421	476
54 (137.2)	137	119	148	173	199	210	226	276	290	307	323	348	385	411	458	516
60 (152.4)	149	130	161	182	213	226	245	294	315	333	346	373	412	439	497	561
66 (167.7)	158	138	175	195	226	247	264	316	338	360	377	407	445	475	534	605
72 (182.9)	165	146	184	210	245	264	280	342	360	385	403	435	477	508	573	646
78 (198.2)	174	157	199	224	264	280	302	360	385	407	429	462	510	544	602	682
84 (213.4)	183	165	210	235	280	299	316	383	407	435	455	490	543	579	642	724
90 (228.6)	194	175	224	247	290	315	333	407	429	462	482	519	571	608	684	773
96 (243.9)	200	182	235	264	307	330	356	425	454	482	509	548	605	646	717	808
102 (259.1)	210	193	245	276	320	348	371	446	477	510	536	578	640	683	753	851
108 (274.4)	219	199	254	286	342	367	390	472	507	529	562	605	670	714	794	894
<b>Surcharge: Valance Option</b>																
Double Valance	\$3	3	3	3	4	4	4	6	6	6	6	6	6	6	6	10

**NOTE:** Smallest width available 9" (22.9 cm) exact. Widths from 9" to 11<sup>5</sup>/<sub>16</sub>" (22.9 cm to 30.4 cm) are center tilt only.

**Multiple Blinds on One Headrail**  
Blinds less than or equal to 84" (213.4 cm): add surcharge:  
**\$44 two on one headrail**  
**\$44 three on one headrail**

**Multiple Blinds on One Headrail**  
Blind widths 84<sup>1</sup>/<sub>16</sub>" to 120" (213.6 cm to 304.8 cm): **no charge**

### Crown with Cloth Tapes or NoHoles™

Height up to inches (cm) ↓	Width up to inches (cm) →															
	18 (45.8)	24 (61.0)	31 (78.8)	36 (91.5)	42 (106.7)	48 (122.0)	54 (137.2)	60 (152.4)	66 (167.7)	72 (182.9)	78 (198.2)	84 (213.4)	90 (228.6)	96 (243.9)	108 (274.4)	120 (304.8)
42 (106.7)	\$145	125	154	173	205	214	226	271	294	305	324	348	384	409	461	522
48 (122.0)	152	132	170	192	218	234	251	300	322	341	358	384	427	455	505	571
54 (137.2)	164	143	178	208	239	252	271	331	348	368	388	418	462	493	550	619
60 (152.4)	179	156	193	218	256	271	294	353	378	400	415	448	494	527	596	673
66 (167.7)	190	166	210	234	271	296	317	379	406	432	452	488	534	570	641	726
72 (182.9)	198	175	221	252	294	317	336	410	432	462	484	522	572	610	688	775
78 (198.2)	209	188	239	269	317	336	362	432	462	488	515	554	612	653	722	818
84 (213.4)	220	198	252	282	336	359	379	460	488	522	546	588	652	695	770	869
90 (228.6)	233	210	269	296	348	378	400	488	515	554	578	623	685	730	821	928
96 (243.9)	240	218	282	317	368	396	427	510	545	578	611	658	726	775	860	970
102 (259.1)	252	232	294	331	384	418	445	535	572	612	643	694	768	820	904	1021
108 (274.4)	263	239	305	343	410	440	468	566	608	635	674	726	804	857	953	1073
<b>Surcharge: Valance Option</b>																
Double Valance	\$3	3	3	3	4	4	4	6	6	6	6	6	6	6	6	10

**NOTE:** Smallest width available 9" (22.9 cm) exact. Widths from 9" to 11<sup>5</sup>/<sub>16</sub>" (22.9 cm to 30.4 cm) are center tilt only.

**Multiple Blinds on One Headrail**  
Blinds less than or equal to 84" (213.4 cm): add surcharge:  
**\$44 two on one headrail**  
**\$44 three on one headrail**

**Multiple Blinds on One Headrail**  
Blind widths 84<sup>1</sup>/<sub>16</sub>" to 120" (213.6 cm to 304.8 cm): **no charge**

## Colors

### Crown

Alabaster . . . . .	3112	Misty Gray . . . . .	3050
Candelabra . . . . .	3051	Tan . . . . .	3093
Carob . . . . .	3005	White . . . . .	3205
Ivory . . . . .	3325		

# Price Charts

## Price Group B: 2" (5.1 cm) Horizontal Vinyl Blinds: Cachet, Fiber, Linen, Quantum, Rapture

Height up to inches (cm) ↓	Width up to inches (cm) →															
	18 (45.8)	24 (61.0)	31 (78.8)	36 (91.5)	42 (106.7)	48 (122.0)	54 (137.2)	60 (152.4)	66 (167.7)	72 (182.9)	78 (198.2)	84 (213.4)	90 (228.6)	96 (243.9)	108 (274.4)	120 (304.8)
42 (106.7)	\$153	130	162	181	215	225	236	284	308	320	340	367	403	430	483	548
48 (122.0)	161	140	178	201	230	246	263	315	337	358	375	403	448	478	530	599
54 (137.2)	172	151	187	218	251	264	284	347	367	387	408	439	485	518	578	650
60 (152.4)	188	164	204	230	268	284	308	371	396	420	436	471	519	553	628	707
66 (167.7)	199	173	220	246	284	311	332	398	426	454	476	512	561	598	672	763
72 (182.9)	209	183	232	264	308	332	353	431	454	485	508	548	601	640	722	813
78 (198.2)	219	198	251	282	332	353	381	454	485	512	541	582	643	686	759	859
84 (213.4)	231	209	264	298	353	376	398	482	512	548	573	617	685	728	809	913
90 (228.6)	245	220	282	311	367	396	420	512	541	582	607	654	719	766	861	974
96 (243.9)	252	230	298	332	387	416	448	535	572	607	641	691	763	813	903	1018
102 (259.1)	264	242	308	347	403	439	467	562	601	643	676	727	807	860	949	1073
108 (274.4)	277	251	320	361	431	462	492	594	639	666	708	763	845	901	1001	1126
<b>Surcharge: Valance Option</b>																
Double Valance	\$4	4	4	4	6	6	6	8	8	10	10	14	14	16	18	19

**NOTE:** Smallest width available 9" (22.9 cm) exact. Widths from 9" to 11<sup>5</sup>/<sub>16</sub>" (22.9 cm to 30.4 cm) are center tilt only.

**Multiple Blinds on One Headrail**  
Blinds less than or equal to 84" (213.4 cm): add surcharge:  
**\$44 two on one headrail**  
**\$44 three on one headrail**

**Multiple Blinds on One Headrail**  
Blind widths 84<sup>1</sup>/<sub>16</sub>" to 120" (213.6 cm to 304.8 cm): **no charge**

### Cachet, Fiber, Linen, Quantum, Rapture with Cloth Tapes or NoHoles™

Height up to inches (cm) ↓	Width up to inches (cm) →															
	18 (45.8)	24 (61.0)	31 (78.8)	36 (91.5)	42 (106.7)	48 (122.0)	54 (137.2)	60 (152.4)	66 (167.7)	72 (182.9)	78 (198.2)	84 (213.4)	90 (228.6)	96 (243.9)	108 (274.4)	120 (304.8)
42 (106.7)	\$184	156	194	217	258	270	283	341	370	384	408	440	484	516	580	658
48 (122.0)	193	168	214	241	276	295	316	378	404	430	450	484	538	574	636	719
54 (137.2)	206	181	224	262	301	317	341	416	440	464	490	527	582	622	694	780
60 (152.4)	226	197	245	276	322	341	370	445	475	504	523	565	623	664	754	848
66 (167.7)	239	208	264	295	341	373	398	478	511	545	571	614	673	718	806	916
72 (182.9)	251	220	278	317	370	398	424	517	545	582	610	658	721	768	866	976
78 (198.2)	263	238	301	338	398	424	457	545	582	614	649	698	772	823	911	1031
84 (213.4)	277	251	317	358	424	451	478	578	614	658	688	740	822	874	971	1096
90 (228.6)	294	264	338	373	440	475	504	614	649	698	728	785	863	919	1033	1169
96 (243.9)	302	276	358	398	464	499	538	642	686	728	769	829	916	976	1084	1222
102 (259.1)	317	290	370	416	484	527	560	674	721	772	811	872	968	1032	1139	1288
108 (274.4)	332	301	384	433	517	554	590	713	767	799	850	916	1014	1081	1201	1351
<b>Surcharge: Valance Option</b>																
Double Valance	\$4	4	4	4	6	6	6	8	8	10	10	14	14	16	18	19

**NOTE:** Smallest width available 9" (22.9 cm) exact. Widths from 9" to 11<sup>5</sup>/<sub>16</sub>" (22.9 cm to 30.4 cm) are center tilt only.

**Multiple Blinds on One Headrail**  
Blinds less than or equal to 84" (213.4 cm): add surcharge:  
**\$44 two on one headrail**  
**\$44 three on one headrail**

**Multiple Blinds on One Headrail**  
Blind widths 84<sup>1</sup>/<sub>16</sub>" to 120" (213.6 cm to 304.8 cm): **no charge**

## Colors

Cachet	Fiber	Linen	Quantum
Ivory . . . . . 3146	Bloodroot . . . . . 3014	Café . . . . . 3022	Chevre . . . . . 3099
Satin White . . . . . 3275	Buttercream . . . . . 3122	Cream . . . . . 3023	Cream . . . . . 3715
Shimmer Sage . . . . . 3272	Cinnamon . . . . . 3127	Ebony . . . . . 3024	Model . . . . . 3068
Silver Dollar . . . . . 3270	Midnight . . . . . 3125	Granite . . . . . 3098	Shipwreck . . . . . 3100
Tan . . . . . 3280	Pebble . . . . . 3056	Lakebed . . . . . 3096	<b>Rapture</b>
White . . . . . 3274	Sandstone . . . . . 3120	Lichen . . . . . 3025	Bleach . . . . . 3034
	Shale . . . . . 3055	Snow . . . . . 3028	Heather . . . . . 3027
	White . . . . . 3124		Steel . . . . . 3039

## Price Charts

### Price Group C: 2" (5.1 cm) Horizontal Vinyl Blinds: Coronation, Georgetown, Homespun II, Kensington, Safari

Height up to inches (cm)	Width up to inches (cm) →															
	18 (45.8)	24 (61.0)	31 (78.8)	36 (91.5)	42 (106.7)	48 (122.0)	54 (137.2)	60 (152.4)	66 (167.7)	72 (182.9)	78 (198.2)	84 (213.4)	90 (228.6)	96 (243.9)	108 (274.4)	120 (304.8)
42 (106.7)	\$178	154	191	213	252	263	277	333	360	374	399	429	472	504	565	641
48 (122.0)	188	163	209	235	269	287	307	368	394	419	439	472	526	559	619	701
54 (137.2)	201	176	218	255	293	308	333	407	429	453	477	514	568	605	676	760
60 (152.4)	220	193	237	269	314	333	360	434	464	491	510	550	607	648	735	827
66 (167.7)	232	202	259	287	333	364	388	466	498	531	557	600	656	700	788	894
72 (182.9)	245	215	272	308	360	388	412	505	531	568	595	641	704	749	846	952
78 (198.2)	258	231	293	330	388	412	445	531	568	600	633	681	753	802	887	1005
84 (213.4)	270	245	308	348	412	440	466	564	600	641	670	722	801	853	947	1067
90 (228.6)	285	259	330	364	429	464	491	600	633	681	711	765	842	898	1007	1140
96 (243.9)	295	269	348	388	453	485	526	626	669	711	750	809	894	952	1057	1190
102 (259.1)	308	283	360	407	472	514	546	657	704	753	791	851	943	1006	1110	1255
108 (274.4)	324	293	374	423	505	541	576	694	747	779	828	894	988	1055	1170	1317

#### Surcharge: Valance Option

Double Valance	\$8	8	8	8	10	10	14	18	18	18	20	20	20	21	21	23

**NOTE:** Smallest width available 9" (22.9 cm) exact. Widths from 9" to 11<sup>5</sup>/<sub>16</sub>" (22.9 cm to 30.4 cm) are center tilt only.

**Multiple Blinds on One Headrail**  
Blinds less than or equal to 84" (213.4 cm): add surcharge:  
**\$44 two on one headrail**  
**\$44 three on one headrail**

**Multiple Blinds on One Headrail**  
Blind widths 84<sup>1</sup>/<sub>16</sub>" to 120" (213.6 cm to 304.8 cm): **no charge**

#### Coronation, Georgetown, Homespun II, Kensington, Safari with Cloth Tapes or NoHoles™

Height up to inches (cm)	Width up to inches (cm) →															
	18 (45.8)	24 (61.0)	31 (78.8)	36 (91.5)	42 (106.7)	48 (122.0)	54 (137.2)	60 (152.4)	66 (167.7)	72 (182.9)	78 (198.2)	84 (213.4)	90 (228.6)	96 (243.9)	108 (274.4)	120 (304.8)
42 (106.7)	\$214	185	229	256	302	316	332	400	432	449	479	515	566	605	678	769
48 (122.0)	226	196	251	282	323	344	368	442	473	503	527	566	631	671	743	841
54 (137.2)	241	211	262	306	352	370	400	488	515	544	572	617	682	726	811	912
60 (152.4)	264	232	284	323	377	400	432	521	557	589	612	660	728	778	882	992
66 (167.7)	278	242	311	344	400	437	466	559	598	637	668	720	787	840	946	1073
72 (182.9)	294	258	326	370	432	466	494	606	637	682	714	769	845	899	1015	1142
78 (198.2)	310	277	352	396	466	494	534	637	682	720	760	817	904	962	1064	1206
84 (213.4)	324	294	370	418	494	528	559	677	720	769	804	866	961	1024	1136	1280
90 (228.6)	342	311	396	437	515	557	589	720	760	817	853	918	1010	1078	1208	1368
96 (243.9)	354	323	418	466	544	582	631	751	803	853	900	971	1073	1142	1268	1428
102 (259.1)	370	340	432	488	566	617	655	788	845	904	949	1021	1132	1207	1332	1506
108 (274.4)	389	352	449	508	606	649	691	833	896	935	994	1073	1186	1266	1404	1580

#### Surcharge: Valance Option

Double Valance	\$8	8	8	8	10	10	14	18	18	18	20	20	20	21	21	23

**NOTE:** Smallest width available 9" (22.9 cm) exact. Widths from 9" to 11<sup>5</sup>/<sub>16</sub>" (22.9 cm to 30.4 cm) are center tilt only.

**Multiple Blinds on One Headrail**  
Blinds less than or equal to 84" (213.4 cm): add surcharge:  
**\$44 two on one headrail**  
**\$44 three on one headrail**

**Multiple Blinds on One Headrail**  
Blind widths 84<sup>1</sup>/<sub>16</sub>" to 120" (213.6 cm to 304.8 cm): **no charge**

## Colors

Coronation	Georgetown	Kensington	Safari
Decree . . . . . 3045	Capitol Hill . . . . . 3072	Bellhop . . . . . 3041	Buffalo . . . . . 3105
Princess . . . . . 3046	Flax . . . . . 3071	Fresh Linens . . . . . 3042	Hearthstone . . . . . 3103
Proclamation . . . . . 3043	National Mall . . . . . 3078	Passport . . . . . 3037	Moccasin . . . . . 3106
Royal Coach . . . . . 3047	Smithsonian . . . . . 3073	Room Key . . . . . 3038	Quarry . . . . . 3102
Sceptre . . . . . 3049	Tawny . . . . . 3070	Titanium . . . . . 3040	Stormy Sage . . . . . 3104
	White . . . . . 3065		
	Homespun II		
	Beach . . . . . 3008		
	Butterscotch . . . . . 3007		
	Chocolate . . . . . 3011		
	Ivory . . . . . 3006		

## Options Pricing

### Valance Replacement Pricing

Width up to inches (cm)	18 (45.8)	24 (61.0)	31 (78.8)	36 (91.5)	42 (106.7)	48 (122.0)	54 (137.2)	60 (152.4)	66 (167.7)	72 (182.9)	78 (198.2)	84 (213.4)	90 (228.6)	96 (243.9)	108 (274.4)	120 (304.8)
<b>Price Group A: Crown</b>																
Standard	\$19	19	19	21	21	21	25	25	31	31	32	34	37	42	46	46
Double	19	19	21	21	24	24	31	31	34	34	35	37	38	49	49	52
<b>Price Group B: Cachet, Fiber, Linen, Quantum, Rapture</b>																
Standard	\$19	19	21	21	21	21	25	25	31	31	32	34	37	42	46	49
Double	19	19	21	21	24	24	31	31	34	34	35	38	38	49	52	55
<b>Price Group C: Coronation, Georgetown, Homespun II, Kensington, Safari</b>																
Standard	\$21	21	24	24	25	25	34	34	38	38	38	41	46	57	57	59
Double	24	24	25	31	31	34	41	41	46	46	49	52	57	64	70	73

### Options Pricing

Option	Surcharge
Cloth Tapes (1" and 1½" (2.5 cm and 3.8 cm))	See price charts for appropriate style choice
Decorative Cord Cleats	Solid brass cleat: \$10 Antique brass cleat: \$5
Corner or Bay Window	No charge
Cut-Outs	\$67
Double Valance	See price charts for ordering with blind See above for replacement pricing
Hold Down Brackets	No charge
Motorized Tilt	See motorization price list
Multiple Blinds on One Headrail	Less than or equal to 84" (213.4 cm) wide: Two on one headrail: \$44; Three on one headrail: \$44 84½" to 120" (213.6 cm to 304.8 cm) wide: no charge
NoHoles™	See price chart
Projection Brackets (2¾" and 4¾" (7.0 cm and 12.1 cm))	No charge
Shims (⅜" (0.5 cm))	No charge
Sky Poles	3 feet to 6½ feet (0.9 m to 2.0 m): \$46 5 feet to 9½ feet (1.5 m to 2.9 m): \$70
Wood Cornices	See cornice and valances price list



Graber is a brand of Springs Window Fashions, the Best Experience Company 

Graber and the Graber logo are registered trademarks of Springs Window Fashions, LLC.

19-0522-07 (02/18) 17-7594|S17-5059