

EXTERIOR SOLAR SHADES

Table of Contents

Features	
Summary	2
Fabric Styles and Information: Exterior Solar Shades	2
Light Gaps	3
Fabric Recommendations	3
Fabric Disclaimers	3
Large Window Sizing	3
Light Control and Privacy	3
Fabric Certifications	3
Size Considerations	
Continuous-Loop Lift and Motorized Lift: Maximum Shade Size	4
How to Determine Maximum Shade Size	5
Planning for Installation of Exterior Shades	5
Depth Requirements for Inside Mount	6
Guide Cables	6
Motor Power Cable	6
Options	
Summary	7
Reverse Roll	7
Continuous-Loop Lift	7
Curved Cassette Valance	7
Motorized Lift	8
General Information	
Exterior Continuous-Loop Lift Product Detail	9
Exterior Motorized Lift Shade Product Detail	10
Price Charts and Options Pricing	
Price Group CA: Continuous-Loop Lift: Broadcast, Chronicles, Monticello, Plexus 1%, Plexus 3%, Plexus 5%, Standard Weave 1%, Standard Weave 3%, Standard Weave 5%, Standard Weave 10%, Vanguard 1%, Vanguard 3%, Vanguard 5%, Venture.	11
Price Group CB: Continuous-Loop Lift: Merit, Paradigm, Reaction, Resolve.	12
Price Group MA: Motorized Lift: Broadcast, Chronicles, Monticello, Plexus 1%, Plexus 3%, Plexus 5%, Standard Weave 1%, Standard Weave 3%, Standard Weave 5%, Standard Weave 10%, Vanguard 1%, Vanguard 3%, Vanguard 5%, Venture.	13
Price Group MB: Motorized Lift: Merit, Paradigm, Reaction, Resolve	14
Options Pricing	15



Features

Exterior Solar Shades Expand Your Outdoor Living Space

- Maintain an outdoor view
 - Filter and diffuse light while maintaining an outward view
 - The higher the openness factor and the darker the fabric, the clearer the view
- Manage glare
 - Minimize glare on televisions and home office computers
 - The darker the fabric color, the better the glare control and visibility
- Block damaging UV rays
 - The amount of UV ray blockage is the inverse of a fabric's openness factor (i.e., a fabric with 10% openness blocks 90% of UV rays)
 - Protect furniture, carpets, artwork, etc. from fading due to harmful UV rays

- Temperature control
 - Exterior shades reduce solar heat gain before it enters the house, reducing air conditioning costs
 - Solar fabrics reduce heat transmittance, keeping rooms cooler and increasing the comfort level in your home
 - The lighter the fabric color, the better the temperature control

IMPORTANT: Shades must be raised fully during inclement weather and windy conditions.

Fabric Styles and Information: Exterior Solar Shades

Style Name	Openness	UV Blockage	Fabric Composition	Useable Fabric Width inches (cm)	GREENGUARD Certified	Anti-Microbial	FR Rated	Can be Railroaded Turned 90° (width for height)	Can be Seamed	Color Number
Broadcast	1%	99%	25% polyester/ 75% vinyl on polyester	116 (294.7)	•	•	•	•	•	All
Chronicles	4%	96%	15% polyester/ 85% vinyl on polyester	96 (243.9)	•	•	•	•	•	All
Merit	4%	96%	15% polyester/ 85% vinyl on polyester	96 (243.9)	•	•	•	•	•	All
Monticello	7%	93%	23.8% polyester/ 76.2% vinyl on polyester	96 (243.9)	•	•	•	•	•	All
Paradigm	8%	92%	25% polyester/ 75% vinyl on polyester	96 (243.9)	•	•	•	•	•	All
Plexus 1%	1%	99%	19% polyester/ 81% vinyl on polyester	116 (294.7)	•	•	•	•	•	All
Plexus 3%	3%	97%	19% polyester/ 81% vinyl on polyester	116 (294.7)	•	•	•	•	•	All
Plexus 5%	5%	95%	19% polyester/ 81% vinyl on polyester	116 (294.7)	•	•	•	•	•	All
Reaction	4%	96%	15% polyester/ 85% vinyl on polyester	96 (243.9)	•	•	•	•	•	All
Resolve	3%	97%	24% polyester/ 76% vinyl on polyester	96 (243.9)	•	•	•	•	•	All
Standard Weave 1%	1%	99%	21% polyester/ 79% vinyl on polyester	116 (294.7)	•	•	•	•	•	47905, 47907, 47908
			24% polyester/ 76% vinyl on polyester							47901, 47906
			25% polyester/ 75% vinyl on polyester							47903, 47904
Standard Weave 3%	3%	97%	18% polyester/ 82% vinyl on polyester	116 (294.7)	•	•	•	•	•	48203, 48204
			21% polyester/ 79% vinyl on polyester							48205, 48207, 48208
			24% polyester/ 76% vinyl on polyester							48201
Standard Weave 5%	5%	95%	16% polyester/ 84% vinyl on polyester	116 (294.7)	•	•	•	•	•	48303, 48304
			21% polyester/ 79% vinyl on polyester							48305, 48307, 48308
			24% polyester/ 76% vinyl on polyester							48301
Standard Weave 10%	10%	90%	16% polyester/ 84% vinyl on polyester	116 (294.7)	•	•	•	•	•	48403, 48404
			21% polyester/ 79% vinyl on polyester							48405, 48407, 48408
			24% polyester/ 76% vinyl on polyester							48401
Vanguard 1%	1%	99%	21% polyester/ 79% vinyl on polyester	116 (294.7)	•	•	•	•	•	47912, 47914, 47918, 47917
			24% polyester/ 76% vinyl on polyester							47909, 47915, 47916
			25% polyester/ 75% vinyl on polyester							47910, 47919
Vanguard 3%	3%	97%	18% polyester/ 82% vinyl on polyester	116 (294.7)	•	•	•	•	•	48210, 48219
			21% polyester/ 79% vinyl on polyester							48212, 48214, 48217, 48218
			24% polyester/ 76% vinyl on polyester							48209, 48215, 48216
Vanguard 5%	5%	95%	16% polyester/ 84% vinyl on polyester	116 (294.7)	•	•	•	•	•	48310, 48319
			21% polyester/ 79% vinyl on polyester							48312, 48314, 48317, 48318
			24% polyester/ 76% vinyl on polyester							48309, 48315, 48316
Venture	7%	93%	16% polyester/ 84% vinyl on polyester	96 (243.9)	•	•	•	•	All	

Features

Light Gaps

A light gap will be present on inside mounted shades. An outside mount with overlap is recommended to eliminate light gap.

Control Type	Light Gap Per Side inches (cm)
Continuous-Loop Lift No Cassette	$\frac{3}{16}$ to $\frac{1}{4}$ (1.5 to 2.1)
Continuous-Loop Lift with Cassette	$\frac{3}{16}$ to 1 (1.5 to 2.6)
Motorized Lift with Cassette	1 to $1\frac{1}{8}$ (2.6 to 3.4)

Fabric Recommendations

Please order all shades at the same time to ensure color consistency and minimize dye lot variation.

Fabric Disclaimers

Due to the nature of the weaving process, some imperfection in the weave is normal.

Roll direction cannot be reversed after a shade is ordered.

Fabric appearance can vary based on changing lighting conditions.

Fabrics turned width for height (referred to as railroaded) may curl along the edge. With extremely wide or railroaded shades, a V shape may appear in the center of the panel. This is expected behavior and occurs due to the weight of the fabric. This is not a defect in the product.

Fabric Certifications

GREENGUARD Indoor Air Quality Certified® Fabrics: Many Graber® fabrics have been certified by GREENGUARD Environmental Institute (GEI) to be low chemical and particle emitting fabrics, providing a healthier indoor air quality. The process used for certification complies with established indoor air quality standards and is performed by a third party lab. Please see graberblinds.com for more information.

greenguard.org

GREENGUARD Indoor Air Quality Certified is a registered trademark of the GREENGUARD Environmental Institute.

Large Window Sizing

Some fabrics can be turned 90° clockwise (width for height) to accommodate wider windows. In these cases some solar fabrics can be seamed for longer lengths. Fabrics turned width for height (referred to as railroaded) may curl along the edge. This is not a defect in the product.

Light Control and Privacy

Privacy: Solar shades do not offer nighttime privacy—lighted interiors allow inward visibility. If complete privacy is desired, consider adding an additional window treatment.



Size Considerations

Continuous-Loop Lift and Motorized Lift: Maximum Shade Size

Fabric	Normal Fabric Orientation					
	Continuous-Loop Lift Medium Cassette		Continuous-Loop Lift Large Cassette/ No Cassette/ No Valance		120 Volt Motor Large Cassette	
	Width inches (cm)	Height inches (cm)	Width inches (cm)	Height inches (cm)	Width inches (cm)	Height inches (cm)
Broadcast	77 (195.6)	111 (282.0)	117 (297.2)	144 (365.8)	117 (297.2)	144 (365.8)
Chronicles	97 (246.4)	119 (302.3)	97 (246.4)	144 (365.8)	97 (246.4)	144 (365.8)
Merit	97 (246.4)	119 (302.3)	97 (246.4)	144 (365.8)	97 (246.4)	144 (365.8)
Monticello	77 (195.6)	107 (271.8)	97 (246.4)	144 (365.8)	97 (246.4)	144 (365.8)
Paradigm	82 (208.3)	121 (307.4)	97 (246.4)	144 (365.8)	97 (246.4)	144 (365.8)
Plexus 1%	74 (188.0)	109 (276.9)	116 (294.7)	124 (315.0)	117 (297.2)	144 (365.8)
Plexus 3%	75 (190.5)	112 (284.5)	117 (297.2)	133 (337.9)	117 (297.2)	144 (365.8)
Plexus 5%	75 (190.5)	122 (309.9)	117 (297.2)	144 (365.8)	117 (297.2)	144 (365.8)
Reaction	97 (246.4)	119 (302.3)	97 (246.4)	144 (365.8)	97 (246.4)	144 (365.8)
Resolve	97 (246.4)	105 (266.7)	97 (246.4)	144 (365.8)	97 (246.4)	144 (365.8)
Standard Weave 1%	107 (271.8)	114 (289.6)	117 (297.2)	144 (365.8)	117 (297.2)	144 (365.8)
Standard Weave 3%	108 (274.4)	114 (289.6)	117 (297.2)	144 (365.8)	117 (297.2)	144 (365.8)
Standard Weave 5%	108 (274.4)	124 (315.0)	117 (297.2)	144 (365.8)	117 (297.2)	144 (365.8)
Standard Weave 10%	108 (274.4)	130 (330.2)	117 (297.2)	144 (365.8)	117 (297.2)	144 (365.8)
Vanguard 1%	107 (271.8)	114 (289.6)	117 (297.2)	144 (365.8)	117 (297.2)	144 (365.8)
Vanguard 3%	108 (274.4)	114 (289.6)	117 (297.2)	144 (365.8)	117 (297.2)	144 (365.8)
Vanguard 5%	108 (274.4)	124 (315.0)	117 (297.2)	144 (365.8)	117 (297.2)	144 (365.8)
Venture	97 (246.4)	94 (238.8)	97 (246.4)	144 (365.8)	97 (246.4)	144 (365.8)

Fabric	Fabric Turned Width for Height (Railroaded)									
	Continuous-Loop Lift Medium Cassette		Continuous-Loop Lift Large Cassette/ No Cassette/ No Valance		Continuous-Loop Lift Large Cassette/ No Cassette/ No Valance at Max Width		120 Volt Motor Large Cassette at Max Height		120 Volt Motor Large Cassette at Max Width	
	Width inches (cm)	Height inches (cm)	Width inches (cm)	Height inches (cm)	Width inches (cm)	Height inches (cm)	Width inches (cm)	Height inches (cm)	Width inches (cm)	Height inches (cm)
Broadcast	77 (195.6)	111 (282.0)	128 (325.2)	133 (337.9)	128 (325.2)	133 (337.9)	127 (322.6)	144 (365.8)	144 (365.8)	74 (188.0)
Chronicles	NO RR	NO RR	NO RR	NO RR	NO RR	NO RR	NO RR	NO RR	NO RR	NO RR
Merit	NO RR	NO RR	NO RR	NO RR	NO RR	NO RR	NO RR	NO RR	NO RR	NO RR
Monticello	81 (205.8)	86 (218.5)	111 (282.0)	83 (210.9)	144 (365.8)	80 (203.2)	141 (358.2)	81 (205.8)	144 (365.8)	72 (182.9)
Paradigm	NO RR	NO RR	NO RR	NO RR	NO RR	NO RR	NO RR	NO RR	NO RR	NO RR
Plexus 1%	74 (188.0)	109 (276.9)	119 (302.3)	120 (304.8)	119 (302.3)	120 (304.8)	123 (312.5)	144 (365.8)	144 (365.8)	74 (188.0)
Plexus 3%	75 (190.5)	112 (284.5)	122 (309.9)	127 (322.6)	122 (309.9)	127 (322.6)	125 (317.5)	144 (365.8)	144 (365.8)	80 (203.2)
Plexus 5%	75 (190.5)	122 (309.9)	127 (322.6)	133 (337.9)	127 (322.6)	133 (337.9)	127 (322.6)	144 (365.8)	144 (365.8)	88 (223.6)
Reaction	NO RR	NO RR	NO RR	NO RR	NO RR	NO RR	NO RR	NO RR	NO RR	NO RR
Resolve	NO RR	NO RR	NO RR	NO RR	NO RR	NO RR	NO RR	NO RR	NO RR	NO RR
Standard Weave 1%	107 (271.8)	114 (289.6)	135 (342.9)	144 (365.8)	135 (342.9)	144 (365.8)	130 (330.2)	144 (365.8)	144 (365.8)	117 (297.2)
Standard Weave 3%	108 (274.4)	114 (289.6)	139 (353.1)	144 (365.8)	139 (353.1)	144 (365.8)	131 (332.8)	144 (365.8)	144 (365.8)	117 (297.2)
Standard Weave 5%	108 (274.4)	124 (315.0)	140 (355.6)	144 (365.8)	140 (355.6)	144 (365.8)	133 (337.9)	144 (365.8)	144 (365.8)	128 (325.2)
Standard Weave 10%	108 (274.4)	130 (330.2)	142 (360.7)	144 (365.8)	142 (360.7)	144 (365.8)	135 (342.9)	144 (365.8)	144 (365.8)	134 (340.4)
Vanguard 1%	107 (271.8)	114 (289.6)	135 (342.9)	144 (365.8)	135 (342.9)	144 (365.8)	130 (330.2)	144 (365.8)	144 (365.8)	117 (297.2)
Vanguard 3%	108 (274.4)	114 (289.6)	139 (353.1)	144 (365.8)	139 (353.1)	144 (365.8)	131 (332.8)	144 (365.8)	144 (365.8)	117 (297.2)
Vanguard 5%	108 (274.4)	124 (315.0)	140 (355.6)	144 (365.8)	140 (355.6)	144 (365.8)	133 (337.9)	144 (365.8)	144 (365.8)	128 (325.2)
Venture	NO RR	NO RR	NO RR	NO RR	NO RR	NO RR	NO RR	NO RR	NO RR	NO RR

Due to continuous manufacturing improvements, minimums and maximums are subject to change. Please call customer service for up-to-date size considerations. These tables provide the maximum shade size available by fabric and cassette. Seams may be added to fabrics to accommodate long shade requirements. For shades longer than material width, seams will be visible when the shade is fully extended.

Size Considerations

How to Determine Maximum Shade Size

Follow these easy steps to determine maximum shade size and valance size from the maximum shade size tables.

1. Determine your fabric style, shade size, and cassette (or no cassette for continuous-loop lift) requirement.
2. Find the fabric in the first column.
3. Determine if your shade size is within the normal fabric orientation size range.
4. Identify the appropriate size cassette (or no cassette for continuous-loop lift) for your shade size.
5. If your shade size is larger than either the maximum width or height range, your fabric may be able to be turned width for height for larger shades. Use the fabric turned width for height (railroaded) table.

EXAMPLE: Determine the maximum allowable shade size and cassette for normal orientation shades. The example continuous-loop lift shade is 110" x 120" (279.4 cm x 304.8 cm) Vanguard 5% with cassette.

1. Find Vanguard 5% in the first column.
2. Follow the Vanguard 5% fabric row to the width and height sizes.
3. The maximum width and maximum height in normal fabric orientation available for this configuration is 117" x 144" (297.2 cm x 365.8 cm).
NOTE: Both width and height must be less than the maximum width and height segment to fit the normal shade orientation.
4. Follow this segment to the top of the table. This segment is within the large cassette size indicating this shade's smallest segment cassette size available is a large size cassette.

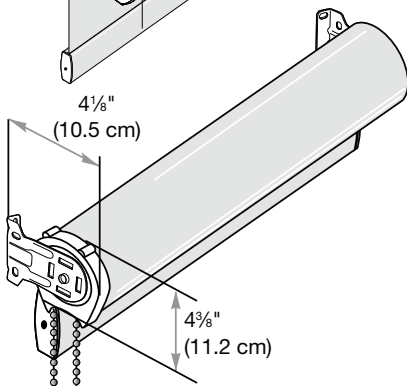
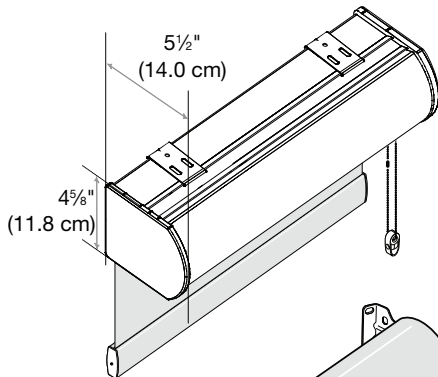
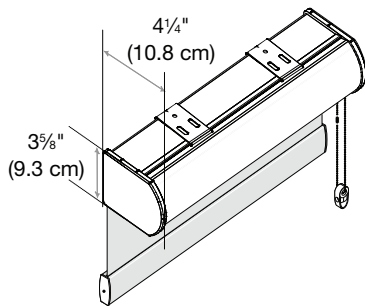
Planning for Installation of Exterior Shades

Use the following planning guidelines for your exterior shade:

1. Determine the location of the shade.
2. Motorized lift shade: Determine the exterior power location. Measure the distance from the planned shade location to the electrical outlet or jbox to order the motor power cable lead length (10 feet (3.1 meters)).
3. Determine the side of the shade (left or right) the bead chain for continuous-loop lift or the motor power cable for motorized lift should exit.
4. For top mounts, large cassette installation: ½" (1.3 cm) spacing is required between the window and the back of the bracket.
5. For wall mounts, large cassette installation: ¾" (1.0 cm) clearance is required above bracket.
6. Use a stud finder to locate solid area to mount installation brackets.
7. Installation of motorized lift shades may require two people.
8. Never install exterior shades in windy conditions.
9. A licensed electrician is required for all electrical connections. All local and NEC codes must be followed.
10. The installation screws provided are for mounting on wood. For mounting on materials other than wood, please consult a qualified professional.

Size Considerations

Depth Requirements for Inside Mount



- The following diagrams illustrate the mounting depth requirements for shades mounted inside window casements or deck/porch frames
- Motorized lift shades come standard with the large cassette valance
- Continuous-loop lift shades shown

Medium Cassette Valance

- 1 3/4" (4.5 cm) minimum inside mount (continuous-loop lift only)

Large Cassette Valance

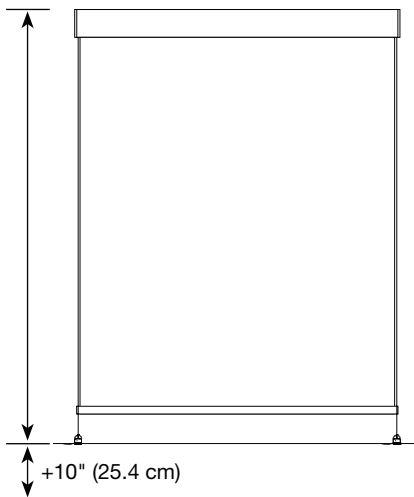
- 1 3/4" (4.5 cm) minimum inside mount

No Valance*

- 3/4" (2.0 cm) minimum needed to attach bracket for an inside/side mount
- 4 1/8" (10.5 cm) minimum for an inside/top mount

*Largest possible measurement given. This will vary with fabric and window dimensions.

Guide Cables (motorized lift shades only)



Use the following to determine the guide cable length that will be provided with your shade:

1. Add 10" (25.4 cm) to the shade height.
2. The next longest cable length will be supplied.
 - Included in motorized lift pricing
 - Stainless steel guide cable
 - Four lengths available: 54" (137.2 cm), 80" (203.2 cm), 144" (365.8 cm), and 186" (472.5 cm)
 - Stainless steel cable locks included
 - Cables will be at least 10" (25.4 cm) longer than ordered height; longer cable can be cut to length needed

EXAMPLE: Shade height is 95" (241.3 cm). Add 10" (25.4 cm) = 105" (266.7 cm). Shade will come with a guide cable at 144" (365.8 cm). Cable can be cut to required length at time of installation.

Motor Power Cable

1. Estimate the number of feet from the cassette valance motor power cable exit to the electrical junction box or GFCI (ground fault circuit interrupter) outlet.
2. Select 10 feet (3.1 meters).

Options

Summary

Control Type Options

- Continuous-loop lift
- Motorized lift with guide cables

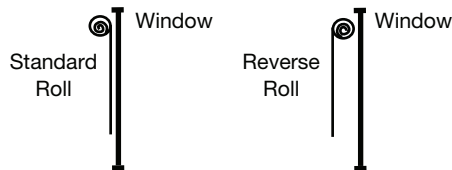
Shade Options—No Charge

- Chain location
- Turning fabric width for height to accommodate wider windows
- Longer chain length
- Reverse roll
- Cable locks—motorized lift
- Guide cables—motorized lift
- Hold downs—continuous-loop lift

Shade Options—Surcharge

- Cassette valance
- Motorization accessories

Reverse Roll

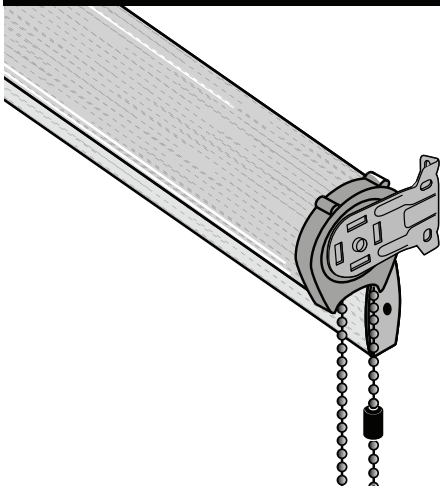


• No charge

- Standard roll is where fabric rolls over the tube to the back
- Reverse roll is where the fabric rolls over the tube to the front
- Reverse roll not available with cassette valance
- Roll direction cannot be changed after shade is manufactured

NOTE: For optimal privacy and light control, standard roll should be used.

Continuous-Loop Lift

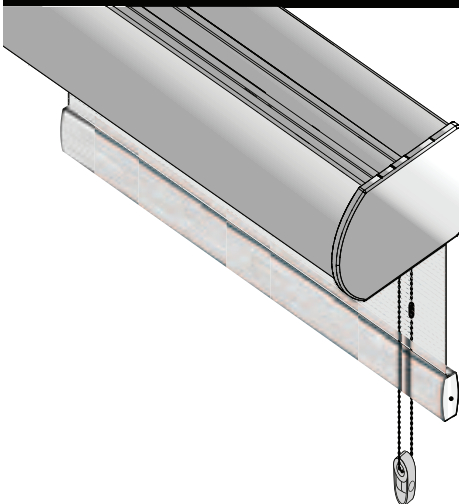


• For pricing, see price chart

- Beaded chain and clutch system makes raising and lowering shade easy
- Two clutch sizes depending on shade size
- Stainless bead chain stays same length regardless of shade position
- Bead chain length is approximately $\frac{7}{8}$ length of shade; customer can request longer chain length at time of order
- Chain is kept at a constant length and held taut by a safety hold down device
- **NOTE:** Hold down device must be installed to operate the shade.
- Choose left or right chain location (right is standard)
- Optional powder-coated cassette valance comes in two sizes (medium or large) and four colors: Black 939, Brown 873, Vanilla 970, White 871
- Component and cassette valance color is selectable
- Hem bar hold downs attach the shade to the frame of the window or deck/patio
- Fabrics and components are specifically designed for outdoor use

NOTE: All exterior shades must be fully raised in wind and inclement weather.

Curved Cassette Valance



• For surcharge, see price chart

- Curved, sleek, aluminum-extruded cassette valance
- Available in four colors: Black 939, Brown 873, Vanilla 970, White 871
- Powder-coated finish
- Rated for outdoor use
- Curved cassette valance must be ordered at the same time as the continuous-loop lift shade (**NOTE:** Automatically comes with motorized lift.)
- Sizes: medium $3\frac{5}{8}$ " high x $4\frac{1}{4}$ " deep (9.3 cm high x 10.8 cm deep) (continuous-loop lift only);
large $4\frac{5}{8}$ " high x $5\frac{1}{2}$ " deep (11.8 cm high x 14.0 cm deep)

Options

Motorized Lift

- **For pricing, see price charts**
- Components are rated for exterior use
- Motorized lift shades come standard with a radio frequency AC motor providing convenient operation through wireless remote controllers and wall switches
- Powered using a 3-prong plug (residential outlet) (sold separately) or wired directly by an electrician
- Radio frequency operation allows shade operation from virtually anywhere without direct line of sight; no wiring is required between the motor and the controllers
- Upper and lower motor limits are pre-programmed for added convenience
- Large cassette valance is included in price, available in four colors: Black 939, Brown 873, Vanilla 970, White 871
- Universal cable locks are standard
- Guide cables are secured with unique, universal cable lock that can be mounted base/sill or back/wall
- Guide cables determined by shade height; 54" (137.2 cm), 80" (203.2 cm), 144" (365.8 cm), 186" (472.5 cm)

Motorized Lift Options

- Controllers and wall switches are wireless, providing installation and operation convenience
- 1- and 5-channel remote controllers operate individual or groups of shades
- Exterior rated remote controls are water resistant and shock proof
- Interior remote controllers and wireless wall switches can operate the same shades
- Interior wireless 1- and 5-channel wall switches provide convenient operation of individual or groups of shades from inside the home
- Wind sensor will automatically raise the shade in windy conditions, providing protection of your shades
- Choose left or right motor power cable location
- Power cable length available: 10 feet (3.1 meters)
- Exterior rated black plug available

General Information

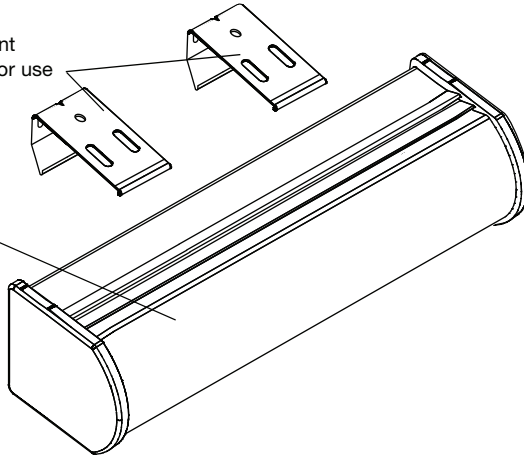
Exterior Continuous-Loop Lift Product Detail

Cassette Brackets

- Top or back mount
- Coated for exterior use

Cassette Valance (optional)

- Cassette valances are powder coated
- Colors available: Black 939, Brown 873, Vanilla 970, White 871
- Medium and large sizes available
- Protects shade from exterior elements
- Color coordinated cassette and end caps



Mounting End Brackets

- Universal bracket for control and idle end
- Can be mounted top, back, or side of shade
- Coated for exterior use

Chain Control

- Stainless steel
- Continuous-loop lift chain remains at same length, regardless of shade position
- Choose left or right chain location

Chain Guide

- Holds chain taut for enhanced safety in homes with children and pets; chain guide must be installed to operate the shade
- Shown as inside mount

Shade/Fabric

- Exterior rated solar styles
- 1% to 10% openness
- Multiple colors

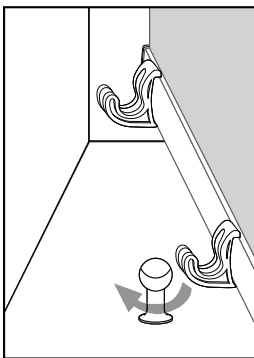
Hold Down Brackets

- Secures shade to the deck frame, wall, or window sill
- Four colors: Black 939, Brown 873, Vanilla 970, White 871
- See illustrations below for installation options

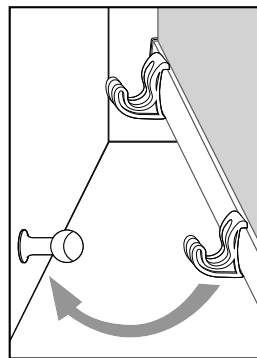
Hem Bar

- Front: fabric covered
- Back: color coordinated to cassette or color selected at time of order
- Colors available: Black 939, Brown 873, Vanilla 970, White 871

NOTE: The installation screws provided are for mounting on wood. For mounting on materials other than wood, please consult a qualified contractor.



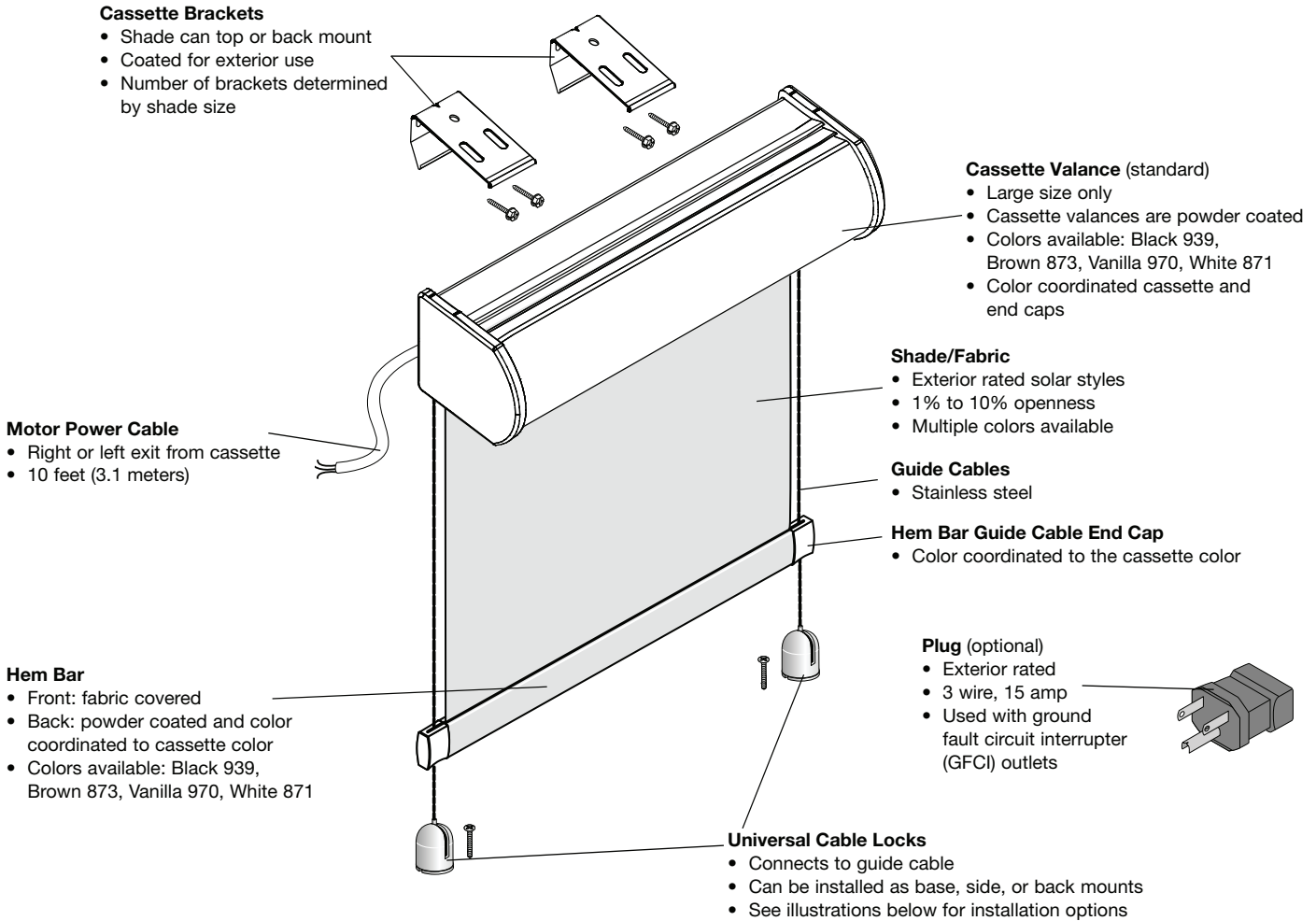
Base/Sill Mount



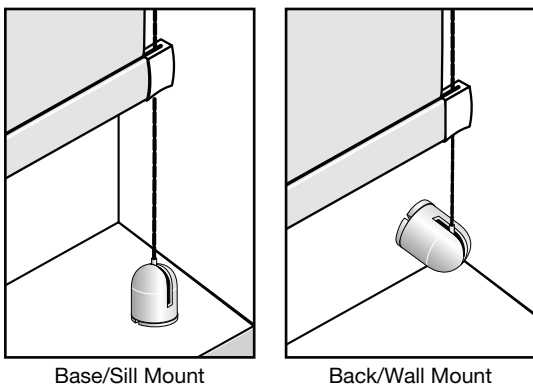
Back/Wall Mount

General Information

Exterior Motorized Lift Shade Product Detail



NOTES: A licensed electrician is required for all electrical connections. All local and NEC codes must be followed. The installation screws provided are for mounting on wood. For mounting on materials other than wood, please consult a qualified contractor.



Price Charts

Price Group CA: Continuous-Loop Lift: Broadcast, Chronicles, Monticello, Plexus 1%, Plexus 3%, Plexus 5%, Standard Weave 1%, Standard Weave 3%, Standard Weave 5%, Standard Weave 10%, Vanguard 1%, Vanguard 3%, Vanguard 5%, Venture

Height up to inches (cm)	Width up to inches (cm) →															
	24 (61.0)	32 (81.3)	36 (91.5)	42 (106.7)	48 (122.0)	54 (137.2)	60 (152.4)	66 (167.7)	72 (182.9)	78 (198.2)	84 (213.4)	96 (243.9)	108 (274.4)	120 (304.8)	132 (335.3)	144 (365.8)
36 (91.5)	\$186	198	210	222	231	254	276	297	323	408	429	482	527	583	647	719
42 (106.7)	189	201	218	236	254	279	303	328	356	441	468	521	576	634	706	783
48 (114.3)	194	205	226	251	273	303	331	359	386	476	505	559	614	689	762	847
54 (137.2)	201	208	233	264	293	326	358	386	414	511	539	602	665	739	820	911
60 (152.4)	208	212	242	276	311	347	382	413	442	545	573	643	713	792	878	975
66 (167.7)	212	217	256	296	333	381	411	442	475	581	605	675	762	844	936	1040
72 (182.9)	219	230	271	314	356	417	437	473	505	614	638	705	810	896	994	1105
78 (198.2)	226	247	289	332	375	428	461	499	537	651	684	750	856	946	1051	1166
84 (213.4)	232	260	305	349	395	440	484	526	567	689	725	794	900	994	1105	1226
96 (243.9)	239	280	332	382	434	486	538	584	629	769	842	932	1035	1150	1266	1382
108 (274.4)	258	317	373	429	487	545	603	655	706	867	919	1034	1257	1398	1537	1677
120 (304.8)	286	351	414	480	543	605	670	729	784	963	1077	1229	1363	1514	1666	1742
132 (335.3)	342	402	459	530	602	674	744	807	872	1070	1149	1352	1513	1682	1850	1934
144 (365.8)	353	432	511	589	668	747	823	896	967	1185	1363	1502	1679	1866	2052	2145
Option Surcharges: Add Surcharge to Shade Price																
Medium Cassette Valance	\$73	83	90	97	110	127	137	153	163	165	180	192	206	221	238	255
Large Cassette Valance	83	97	110	120	127	137	153	163	173	183	197	220	243	263	285	306

Solar Style and Colors

Broadcast	Plexus 5%	Standard Weave 10%	Vanguard 5%
Alfresco 47504	Soapstone 47801	Café Doppio 48407	Authentic 48309
Cashmere 47503	Sublime Gray 47812	Calcite 48401	Chrome 48315
Constellation 47501	Tranquility 47811	Chiseled 48408	Cortina 48310
Continental 47508	Standard Weave 1%	Infalible 48403	Dew 48314
Genuine 47513	Café Doppio 47907	Once 48404	Elusive 48312
Gourmet 47514	Calcite 47901	Veranda 48405	Homage 48317
Motif 47505	Chiseled 47908	Vanguard 1%	Obsidian 48319
Serenade 47515	Infalible 47903	Authentic 47909	Peloton 48318
Simplicity 47509	Once 47904	Chrome 47915	Pendulum 48316
Sonnet 47502	Polished 47906	Cortina 47910	Venture
Taliesin 47506	Veranda 47905	Dew 47914	Backdrop 46906
Chronicles	Standard Weave 3%	Elusive 47912	Capture 46902
Skyline 49202	Café Doppio 48207	Homage 47917	Iconic 46901
Sumatra 49203	Calcite 48201	Obsidian 47919	Minimal 46904
Tuxedo 49204	Chiseled 48208	Peloton 47918	Vibe 46905
Monticello	Infalible 48203	Pendulum 47916	
Rust 40445	Once 48204	Vanguard 3%	
Plexus 1%	Veranda 48205	Authentic 48209	
Soapstone 47601	Standard Weave 5%	Chrome 48215	
Sublime Gray 47612	Café Doppio 48307	Cortina 48210	
Tranquility 47611	Calcite 48301	Dew 48214	
Plexus 3%	Chiseled 48308	Elusive 48212	
Soapstone 47701	Infalible 48303	Homage 48217	
Sublime Gray 47712	Once 48304	Obsidian 48219	
Tranquility 47711	Veranda 48305	Peloton 48218	
		Pendulum 48216	

Price Charts

Price Group CB: Continuous-Loop Lift: Merit, Paradigm, Reaction, Resolve

Height up to inches (cm)	Width up to inches (cm) →												
	24 (61.0)	32 (81.3)	36 (91.5)	42 (106.7)	48 (122.0)	54 (137.2)	60 (152.4)	66 (167.7)	72 (182.9)	78 (198.2)	84 (213.4)	96 (243.9)	108 (274.4)
36 (91.5)	\$205	217	230	243	254	278	303	326	354	447	470	527	578
42 (106.7)	207	219	239	259	278	307	332	358	390	484	511	570	631
48 (114.3)	213	225	248	274	299	332	362	393	423	521	553	612	675
54 (137.2)	219	228	256	289	322	356	392	423	454	560	590	659	728
60 (152.4)	228	233	265	303	339	380	418	453	485	597	627	706	780
66 (167.7)	233	238	280	324	365	417	449	485	520	636	664	739	836
72 (182.9)	240	252	296	344	390	457	480	517	553	675	700	772	887
78 (198.2)	248	270	316	364	411	469	505	546	588	713	748	821	938
84 (213.4)	255	286	333	382	434	483	529	576	621	754	794	869	987
96 (243.9)	264	308	364	418	476	531	589	639	689	842	922	1021	1133
108 (274.4)	284	348	408	470	532	597	660	718	773	950	1007	1132	1377
120 (304.8)	313	383	454	525	595	664	733	798	859	1055	1181	1346	1494
132 (335.3)	375	441	504	581	659	737	816	884	954	1172	1259	1482	1658
144 (365.8)	386	473	560	645	732	818	903	980	1059	1300	1494	1645	1839

Option Surcharges: Add Surcharge to Shade Price

Medium Cassette Valance	\$73	83	90	97	110	127	137	153	163	165	180	192	206
Large Cassette Valance	83	97	110	120	127	137	153	163	173	183	197	220	243

Solar Style and Colors

Merit	Paradigm	Reaction	Resolve
Atmosphere..... 49504	Declaration 49106	Adventures 48702	Joyful..... 48601
Cavalier 49506	Intrepid 49103	Coveted..... 48704	Studio 48602
Clarity 49501	Relic..... 49101	Fate 48703	
Emulation..... 49503			
Exquisite 49505			
Panoramic..... 49502			

Price Charts

Price Group MA: Motorized Lift: Broadcast, Chronicles, Monticello, Plexus 1%, Plexus 3%, Plexus 5%, Standard Weave 1%, Standard Weave 3%, Standard Weave 5%, Standard Weave 10%, Vanguard 1%, Vanguard 3%, Vanguard 5%, Venture

Height up to inches (cm)	Width up to inches (cm) →															
	24 (61.0)	32 (81.3)	36 (91.5)	42 (106.7)	48 (122.0)	54 (137.2)	60 (152.4)	66 (167.7)	72 (182.9)	78 (198.2)	84 (213.4)	96 (243.9)	108 (274.4)	120 (304.8)	132 (335.3)	144 (365.8)
36 (91.5)	\$1865	1912	1966	2017	2044	2121	2144	2207	2240	2270	2340	2478	2622	2788	3004	3311
42 (106.7)	1887	1945	1994	2041	2067	2145	2171	2243	2305	2325	2385	2529	2672	2848	3048	3354
48 (114.3)	1910	1979	2023	2069	2087	2167	2199	2276	2357	2384	2424	2581	2721	2911	3093	3398
54 (137.2)	1933	2012	2052	2094	2112	2191	2227	2309	2380	2437	2468	2633	2770	2969	3140	3442
60 (152.4)	1951	2027	2073	2121	2134	2213	2253	2343	2419	2469	2504	2684	2828	2984	3201	3485
66 (167.7)	1977	2044	2094	2144	2158	2239	2281	2376	2460	2516	2548	2739	2892	3041	3233	3530
72 (182.9)	1995	2058	2112	2164	2213	2262	2308	2411	2501	2568	2602	2795	2938	3094	3300	3591
78 (198.2)	2015	2078	2137	2192	2241	2288	2335	2445	2540	2611	2653	2846	2985	3151	3348	3653
84 (213.4)	2030	2090	2156	2221	2271	2322	2364	2477	2580	2653	2700	2899	3032	3180	3398	3725
96 (243.9)	2069	2141	2195	2249	2302	2354	2393	2511	2620	2695	2750	2954	3138	3282	3498	3831
108 (274.4)	2106	2169	2218	2269	2324	2378	2440	2552	2683	2770	2830	3009	3245	3385	3602	3942
120 (304.8)	2146	2232	2268	2306	2364	2417	2495	2615	2747	2837	2914	3050	3345	3484	3701	4041
132 (335.3)	2185	2260	2282	2348	2420	2496	2541	2683	2813	2911	2994	3091	3450	3585	3803	4146
144 (365.8)	2226	2304	2324	2397	2470	2542	2589	2777	2863	2984	3082	3170	3557	3687	3904	4255

Pricing includes radio frequency motor, power cord, guide cable, cable locks, and large cassette.

Motorization Controls

Radio Frequency Remote Controls	
Telis 1 Single Channel RF Remote: White	\$119
Telis 1 Single Channel RF Remote: Black or Silver	194
Telis 1 Single Channel Exterior RF Remote: White/Blue	147
Telis 4 Five Channel RF Remote: White	160
Telis 4 Five Channel RF Remote: Black or Silver	218
Telis 4 Five Channel Exterior RF Remote: White/Blue	161
Telis 16 Channel Remote: White or Silver	649

Radio Frequency Wall Switches

DecoFlex Single Channel Wall Switch: White or Ivory	\$308
DecoFlex Single Channel Wall Switch: Black	374
DecoFlex Five Channel Wall Switch: White or Ivory	339
DecoFlex Five Channel Wall Switch: Black	385

120 Volt Exterior Power

120 Volt Exterior Electrical 3-Prong Plug: 15 Amp	\$58
---	------

Additional Radio Frequency Controls

RF Wind Sensor (includes exterior power cord with 3-prong plug)	\$578
---	-------

Solar Style and Colors

Broadcast	Plexus 5%	Standard Weave 10%	Vanguard 5%
Alfresco 47504	Soapstone 47801	Café Doppio 48407	Authentic 48309
Cashmere 47503	Sublime Gray 47812	Calcite 48401	Chrome 48315
Constellation 47501	Tranquility 47811	Chiseled 48408	Cortina 48310
Continental 47508	Standard Weave 1%	Infalible 48403	Dew 48314
Genuine 47513	Café Doppio 47907	Once 48404	Elusive 48312
Gourmet 47514	Calcite 47901	Veranda 48405	Homage 48317
Motif 47505	Chiseled 47908	Vanguard 1%	Obsidian 48319
Serenade 47515	Infalible 47903	Authentic 47909	Peloton 48318
Simplicity 47509	Once 47904	Chrome 47915	Pendulum 48316
Sonnet 47502	Polished 47906	Cortina 47910	Venture
Taliesin 47506	Veranda 47905	Dew 47914	Backdrop 46906
Chronicles	Standard Weave 3%	Elusive 47912	Capture 46902
Skyline 49202	Café Doppio 48207	Homage 47917	Iconic 46901
Sumatra 49203	Calcite 48201	Obsidian 47919	Minimal 46904
Tuxedo 49204	Chiseled 48208	Peloton 47918	Vibe 46905
Monticello	Infalible 48203	Pendulum 47916	
Rust 40445	Once 48204	Vanguard 3%	
Plexus 1%	Veranda 48205	Authentic 48209	
Soapstone 47601	Standard Weave 5%	Chrome 48215	
Sublime Gray 47612	Café Doppio 48307	Cortina 48210	
Tranquility 47611	Calcite 48301	Dew 48214	
Plexus 3%	Chiseled 48308	Elusive 48212	
Soapstone 47701	Infalible 48303	Homage 48217	
Sublime Gray 47712	Once 48304	Obsidian 48219	
Tranquility 47711	Veranda 48305	Peloton 48218	
		Pendulum 48216	

Price Charts

Price Group MB: Motorized Lift: Merit, Paradigm, Reaction, Resolve

Height up to inches (cm)	Width up to inches (cm) →												
	24 (61.0)	32 (81.3)	36 (91.5)	42 (106.7)	48 (122.0)	54 (137.2)	60 (152.4)	66 (167.7)	72 (182.9)	78 (198.2)	84 (213.4)	96 (243.9)	108 (274.4)
36 (91.5)	\$1884	1931	1986	2038	2067	2145	2171	2235	2270	2309	2381	2523	2672
42 (106.7)	1905	1964	2015	2064	2092	2172	2200	2273	2338	2368	2428	2579	2727
48 (114.3)	1929	1999	2045	2092	2114	2196	2230	2310	2394	2429	2473	2634	2781
54 (137.2)	1952	2032	2075	2119	2141	2222	2261	2346	2420	2485	2519	2691	2833
60 (152.4)	1971	2048	2096	2148	2162	2247	2289	2382	2462	2521	2558	2747	2895
66 (167.7)	1998	2065	2118	2172	2190	2274	2319	2419	2505	2571	2607	2804	2965
72 (182.9)	2016	2080	2137	2195	2247	2302	2351	2455	2549	2629	2664	2862	3016
78 (198.2)	2037	2101	2164	2225	2276	2329	2379	2493	2591	2673	2717	2917	3067
84 (213.4)	2053	2115	2184	2254	2310	2365	2409	2527	2633	2718	2769	2975	3120
96 (243.9)	2093	2168	2227	2285	2344	2399	2444	2566	2680	2769	2830	3042	3236
108 (274.4)	2132	2200	2253	2310	2369	2431	2498	2615	2750	2853	2918	3107	3364
120 (304.8)	2174	2265	2308	2351	2416	2476	2558	2684	2821	2930	3018	3168	3477
132 (335.3)	2218	2298	2327	2398	2478	2559	2612	2759	2896	3012	3104	3220	3595
144 (365.8)	2260	2345	2372	2453	2534	2613	2669	2861	2956	3099	3213	3314	3717

Pricing includes radio frequency motor, power cord, guide cable, cable locks, and large cassette.

Motorization Controls

Radio Frequency Remote Controls

Telis 1 Single Channel RF Remote: White	\$119
Telis 1 Single Channel RF Remote: Black or Silver	194
Telis 1 Single Channel Exterior RF Remote: White/Blue	147
Telis 4 Five Channel RF Remote: White	160
Telis 4 Five Channel RF Remote: Black or Silver	218
Telis 4 Five Channel Exterior RF Remote: White/Blue	161
Telis 16 Channel Remote: White or Silver	649

Radio Frequency Wall Switches

DecoFlex Single Channel Wall Switch: White or Ivory	\$308
DecoFlex Single Channel Wall Switch: Black	374
DecoFlex Five Channel Wall Switch: White or Ivory	339
DecoFlex Five Channel Wall Switch: Black	385

120 Volt Exterior Power

120 Volt Exterior Electrical 3-Prong Plug: 15 Amp	\$58
---	------

Additional Radio Frequency Controls

RF Wind Sensor (includes exterior power cord with 3-prong plug)	\$578
---	-------

Solar Style and Colors

Merit	Paradigm	Reaction	Resolve
Atmosphere 49504	Declaration 49106	Adventures 48702	Joyful 48601
Cavalier 49506	Intrepid 49103	Coveted 48704	Studio 48602
Clarity 49501	Relic 49101	Fate 48703	
Emulation 49503			
Exquisite 49505			
Panoramic 49502			

Options Pricing

Options Pricing	
Option	Surcharge
Cable Locks (motorized lift)	No charge
Cassette Valance	Continuous-loop lift: see price chart surcharges Motorized lift: included in price
Component Colors	No charge
Continuous-Loop Lift	Standard: see continuous-loop lift price chart
Specific Channel Assignment (motorized lift)	No charge
Fabric Turned 90° Width for Height (railroaded)	No charge
Guide Cables (motorized lift)	No charge
Hold Down Brackets (continuous-loop lift)	No charge
Motorized Lift	See motorization price list for pricing
Motorized Lift Accessories	See motorization price list for pricing
Reverse Roll	No charge
Seaming	No charge
Stainless Steel Chain	No charge



Graber is a brand of Springs Window Fashions, the Best Experience Company 

Graber and the Graber logo are registered trademarks of Springs Window Fashions, LLC.
SheerWeave is a registered trademark of Phifer Incorporated.

19-0749-01 (02/18) 17-7547|S17-4720