

# EXTERIOR SOLAR SHADES

## TABLE OF CONTENTS

### SHADE FEATURES AND SIZE CONSIDERATIONS

Summary . . . . .	2
Fabric Styles and Information: Exterior Solar Shades . . . . .	2
Light Gaps . . . . .	2
Fabric Recommendations and Disclaimers . . . . .	2
Large Window Sizing . . . . .	2
Fabric Certifications . . . . .	2
Size Considerations: Normal Fabric Orientation . . . . .	3
Size Considerations: Fabric Turned Width for Height . . . . .	3
How to Determine Maximum Shade Size . . . . .	3
Planning for Installation of Exterior Shades . . . . .	3
Mounting Depth Size and Cable Measurement Considerations . . . . .	4
Guide Cables (Motorized Shades Only) . . . . .	4

### SHADE OPTIONS

Summary . . . . .	5
Reverse Roll . . . . .	5
Continuous-loop Lift System . . . . .	5
Curved Cassette Valance . . . . .	5
Motorization . . . . .	6

### GENERAL INFORMATION

Exterior Solar Continuous-loop Lift Shade Product Detail . . . . .	7
Exterior Solar Motorized Shade Product Detail . . . . .	8

### PRICING

Pricing: Continuous-loop Exterior Solar Shades . . . . .	9
Pricing: Motorized Exterior Solar Shades . . . . .	10
Shade Options: Motorization . . . . .	11-12
Options Pricing . . . . .	12



# Shade Features

## Exterior Solar Shades Expand Your Outdoor Living Space

- **Maintain view**
  - Filter and diffuse light while maintaining an outward view
  - The higher the openness factor and the darker the fabric, the clearer the view
- **Manage glare**
  - Minimize glare on decks and porches, and inside on televisions and home office computers
  - The darker the fabric color, the better the glare control and visibility
- **Block damaging UV rays**
  - The amount of UV ray blockage is the inverse of a fabric's openness factor (i.e., a fabric with 10% openness blocks 90% of UV rays)
  - Protect furniture, carpets, artwork, etc. from fading due to harmful UV rays
- **Control temperature**
  - Exterior shades reduce solar heat gain before it enters the house, reducing air conditioning costs
  - The lighter the fabric color, the better the temperature control

**NOTE:** Solar shades do not offer nighttime privacy – lighted interiors allow inward visibility. If complete privacy is desired, consider adding an inside window treatment.

### FABRIC STYLES AND INFORMATION: EXTERIOR SOLAR SHADES

Style Name	Openness	UV Blockage	Fabric Composition	Usable fabric width	Greenguard Certified	Microban Certified	FR Rated	Can be Railroaded turned 90° (width for height)	Can be Seamed	Color Number
B500/SheerWeave 4000	5%	95%	25% Polyester/ 75% Vinyl on Polyester	96"	•	•	NFPA 701	•	•	All
B1000/SheerWeave 4100	10%	90%	25% Polyester/ 75% Vinyl on Polyester	96"	•	•	NFPA 701	•	•	All
SheerWeave 2390	5%	95%	35% Polyester/ 65% Vinyl on Fiberglass	96"	•	•	NFPA 701	•	•	All
SheerWeave 2410	3%	97%	35% Polyester/ 65% Vinyl on Fiberglass	96"	•	•	NFPA 701	•	•	All

#### LIGHT GAPS

A light gap will be present on inside mounted shades. An outside mount with overlap is recommended to eliminate light gap.

#### FABRIC RECOMMENDATIONS

Please order all shades at the same time to ensure color consistency and minimize dye lot variation.

#### FABRIC DISCLAIMERS

Due to the nature of the weaving process, some imperfection in the weave is normal.

Roll direction cannot be reversed after a shade is ordered.

Fabric appearance can vary based on changing lighting conditions.

#### LARGE WINDOW SIZING

Fabrics can be turned 90° clockwise (width for height) to accommodate wider windows. In these cases some solar fabrics can be seamed for longer lengths. Fabrics turned width for height (referred to as railroaded) may curl along its edge. This is not a defect in the product.

#### FABRIC CERTIFICATIONS

**Greenguard Indoor Air Quality Certified® Fabrics:** Many Graber® fabrics have been certified by GREENGUARD Environmental Institute (GEI) to be low chemical and particle emitting fabrics, providing a healthier indoor air quality. The process used for certification complies with established indoor air quality standards and is performed by a third party lab. Please see [www.graberblinds.com](http://www.graberblinds.com) for more information.

**Microban®** is an antimicrobial protection technology that provides continuous protection against stain and odor-causing bacteria like mold and mildew. Ideal for residential and commercial environments.



[www.greenguard.org](http://www.greenguard.org)

# Size Considerations

## SIZE CONSIDERATIONS: NORMAL FABRIC ORIENTATION

Fabric	CONTINUOUS-LOOP LIFT						MOTORIZED			
	Minimum Shade Size		Medium Cassette Valance		Large Cassette Valance or No Cassette Valance		Minimum Shade Size		Large Cassette Valance	
	Width	Height	Width	Height	Width	Height	Width	Height	Width	Height
B500/SheerWeave 4000	13"	13"	97"	112"	97"	144"	28"	13"	97"	144"
B1000/SheerWeave 4100	13"	13"	97"	116"	97"	144"	28"	13"	97"	144"
SheerWeave 2390	13"	13"	97"	144"	97"	144"	28"	13"	97"	144"
SheerWeave 2410	13"	13"	97"	144"	97"	144"	28"	13"	97"	144"

## SIZE CONSIDERATIONS: FABRIC TURNED WIDTH FOR HEIGHT

Fabric	CONTINUOUS-LOOP LIFT						MOTORIZED			
	Minimum Shade Size		Medium Cassette Valance		Large Cassette Valance or No Cassette Valance		Minimum Shade Size		Large Cassette Valance	
	Width	Height	Width	Height	Width	Height	Width	Height	Width	Height
B500/SheerWeave 4000	13"	13"	105"	112"	121"	144"	28"	13"	144"	118"
B1000/SheerWeave 4100	13"	13"	106"	116"	132"	144"	28"	13"	144"	124"
SheerWeave 2390	13"	13"	110"	144"	144"	144"	28"	13"	144"	144"
SheerWeave 2410	13"	13"	108"	135"	144"	144"	28"	13"	144"	144"

These tables provide the maximum shade size available by fabric and cassette.

Seams may be added to fabrics to accommodate long shade requirements. Seams will be placed approximately 90" above the hem bar; seam location is not selectable. Seams are visible when the shade is fully extended.

## HOW TO DETERMINE MAXIMUM SHADE SIZE

Follow these easy steps to determine maximum shade size and valance size from the Maximum Shade Size Tables.

1. Determine your fabric style, shade size and cassette (or no cassette for Continuous-loop) requirement.
2. Find the fabric in the first column.
3. Determine if your shade size is within the Normal Fabric Orientation size range.
4. Identify the appropriate size cassette (or no cassette for Continuous-loop) for your shade size.
5. If your shade size is larger than either the maximum width or height range, your fabric may be able to be turned width for height for larger shades. Use the Fabric Turned Width for Height (Railroaded) Table.

**Example:** Determine the maximum allowable shade size and cassette for normal orientation shades. The example Continuous Loop shade is 80" x 100" B1000 with Cassette.

1. Find B1000 in the first column.
2. Follow the B1000 fabric row to the width and height sizes.
3. The maximum width and maximum height available for this configuration is 97" x 116". Note *both* width and height must be less than the maximum width and height segment to fit the normal shade orientation.
4. Follow this segment to the top of the table. This segment is within the Medium Cassette size indicating this shade's smallest segment cassette size available is a medium size cassette.

## PLANNING FOR INSTALLATION OF EXTERIOR SHADES

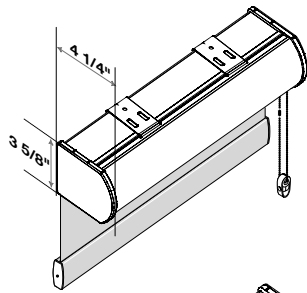
Use the following planning guidelines for your exterior shade:

1. Determine the location of the shade.
2. Motorized Shade: Determine the exterior power location. Measure the distance from the planned shade location to the electrical outlet or jbox to order the motor power cable lead length (6' or 24').
3. Determine the side of the shade (left or right) the bead chain for Continuous-loop or the motor power cable for motorized should exit.
4. For Top Mounts, Large Cassette Installation: 1/2" spacing is required between the window and the back of the bracket.
5. For Wall Mounts, Large Cassette Installation: 3/8" clearance is required above bracket.
6. Use a stud finder to locate solid area to mount installation brackets.
7. Installation of motorized shades may require 2 people.
8. Never install exterior shades in windy conditions.
9. A licensed electrician is required for all electrical connections. All local and NEC codes must be followed.
10. The installation screws provided are for mounting on wood. For mounting on materials other than wood, please consult a qualified professional.

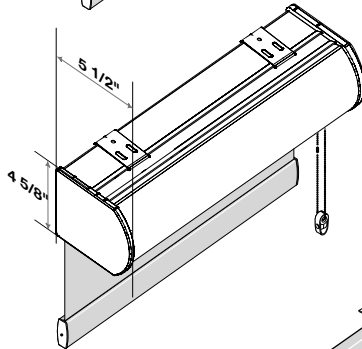
# Size Considerations

## DEPTH REQUIREMENTS FOR INSIDE MOUNT

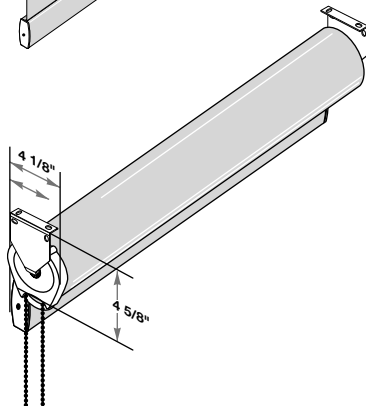
- The following diagrams illustrate the mounting depth requirements for shades mounted inside window casements or deck/porch frames.
- Motorized shades come standard with the large cassette valance.
- Continuous-loop shades shown.



**MEDIUM CASSETTE VALANCE**  
**1 3/4" Minimum Inside Mount**  
**(Continuous-loop only)**



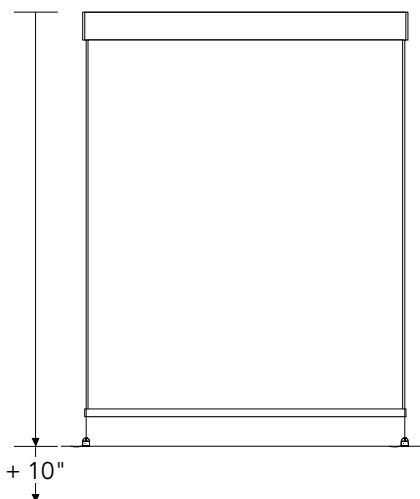
**LARGE CASSETTE VALANCE**  
**1 3/4" Minimum Inside Mount**



**NO VALANCE\***  
**4 1/8" Minimum Inside Mount**  
**3/4" Minimum Inside Mount**  
**(Continuous-loop only)**

\* Largest possible measurement given will vary with fabric and window dimensions.

## GUIDE CABLES (MOTORIZED SHADES ONLY)



Use the following to determine the guide cable length that will be provided with your shade:

1. Add 10" to the shade height.
2. The next longest cable length will be supplied.
  - Included in motorized pricing
  - Stainless Steel Guide Cable
  - Four lengths available: 54", 80", 144" and 186"
  - Stainless Steel Cable locks included
  - Cables will be at least 10" longer than ordered height; longer cable can be cut to length needed

**Example:** Shade height is 95". Add 10". = 105". Shade will come with a Guide Cable at 144". Cable can be cut to required length at time of installation.

## MOTOR POWER CABLE

1. Estimate the number of feet from the cassette valance motor power cable exit to the electrical junction box or GFCI (Ground Fault Circuit Interrupter) outlet.
2. Select either 6' or 24' power cable.

# Shade Options

## SHADE OPTIONS: FOR SURCHARGES AND PRICING REFER TO PRICING SECTION

### Control Type Options:

- Continuous-loop Lift System
- Motorized with Guide Cables

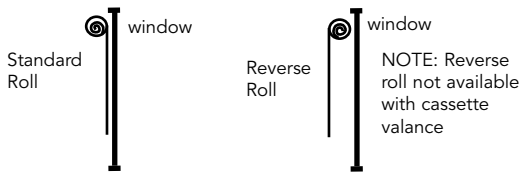
### Shade Options-No Charge

- Chain location
- Turning fabric width for height to accommodate wider windows
- Longer chain length
- Reverse Roll
- Cable Locks - Motorized
- Guide Cables - Motorized
- Hold-downs - Continuous-loop

### Shade Options-Surcharge

- Cassette Valance
- Motorization Accessories

## REVERSE ROLL



- **No charge**
  - Standard roll is where fabric rolls over the tube to the back
  - Reverse roll is where the the fabric rolls over the tube to the front
  - Reverse roll not available with Cassette Valance
- NOTE: For optimal privacy and light control, Standard Roll should be used (cassette valances are not available with reverse roll)**

## CONTINUOUS-LOOP LIFT SYSTEM



- **For Pricing, see Price Chart**
  - Beaded chain and clutch system makes raising and lowering shade easy
  - Two clutch sizes depending on shade size
  - Stainless bead chain, stays same length, regardless of shade position
  - Bead chain length is approximately  $\frac{3}{4}$  length of shade; customer can request a longer chain length at time of order
  - Light gap for an inside mount is  $\frac{1}{16}$ " per side
  - Safety chain guide included to prevent chain from becoming a strangulation hazard. Note: Chain Guide must be installed to operate the shade
  - Choose left or right chain location (right is standard)
  - Optional powder-coated cassette valance comes in 2 sizes (medium or large) and 3 colors: Brown 873, Vanilla 970, White 871
  - Component and cassette valance color is selectable
  - Hem Bar hold-downs fix the shade to the frame of the window or deck/patio
  - Fabrics and components are specifically designed for outdoor use
- NOTE: All exterior shades must be fully raised in wind and inclement weather.**

## CURVED CASSETTE VALANCE



- **For surcharge, see Price Chart**
- Curved, sleek, aluminum-extruded cassette valance
- Available in three colors: Brown 873, Vanilla 970, White 871
- Powder-coated finish
- Rated for outdoor use
- Curved Cassette Valance must be ordered at the same time as the Continuous-loop shade (Note: Automatically comes with Motorized)
- Sizes: Medium  $3\frac{1}{2}$ " H x 4" D (Continuous-loop only)  
Large  $4\frac{1}{2}$ " H x  $5\frac{1}{16}$ " D

	Medium	Large
Continuous-loop Lift	•	•
Motorized		• (Standard)

### Cassette Valance Dimensions

The Cassette Valance size is determined by multiple factors. Available cassette sizes by shade type are shown.

# Shade Options

## MOTORIZATION

- **For Pricing, see Price Charts**
- Components are rated for exterior use
- Motorized Shades come standard with a Radio-Frequency AC motor providing convenient operation through wireless remote controllers and wall switches
- Powered using a 3-prong plug (residential outlet) or wired directly by an electrician
- Radio Frequency operation allows shade operation from virtually anywhere without direct line of sight. No wiring is required between the motor and the controllers
- Upper and lower motor limits are pre-programmed for added convenience
- Large Cassette Valance is included in price, available in three colors: Brown 873, Vanilla 970, White 871
- Universal Cable Locks are standard
- Guide Cables are secured with unique, Universal Cable Lock that can be mounted Base/Sill, Side/Jamb or Back/Wall
- Guide Cables determined by shade height; 54", 80", 144", 186"
- Inside Mount will have a 1½" light gap on motor side and 1" light gap on opposite side

### Motorized Options

- Controllers and wall switches are wireless, providing installation and operation convenience
- 1- and 5-channel remote controllers operate individual or groups of shades
- Exterior rated remote controls are water resistant and shock proof
- Interior remote controllers and wireless wall switches can operate the same shades
- Interior wireless 1- and 5-channel wall switches provide convenient operation of individual or groups of shades from inside the home
- Wind Sensor will automatically raise the shade in windy conditions, providing protection of your shades
- Choose left or right motor power cable location
- Power cable lengths available in 6' or 24'
- Exterior rated black plug available

## MOTORIZED SHADES: CUSTOM PROGRAMMING REMOTE AND WALL SWITCH CONTROLLERS

The controllers for exterior motorized solar shades will be pre-programmed. The shades, controllers and channels are specified during the order process.

**NOTE:** Motorized exterior shades have a 14-day lead time.

- Available with the interior five channel remote or wireless wall switch
- Available with the exterior five channel remote
- Can specify choice of controller if more than one
- Can specify choice of channel

### How to order

1. Order exterior shades in sequence relative to the desired controller.
2. Select the desired motorization controllers (Remote and/or Wall Switch, 1 or 5 channel).
3. Specify the channel(s) that each controller will operate.

### Example:

Order 5 exterior motorized solar shades using 2 controllers. Shades 1, 2, 3 will be operated by a 5-channel remote, and Shades 4 and 5 will be operated by a 1-channel wall switch.

### Order for Shades 1, 2, 3

Controller: 5-channel remote controller

Channels: Channels 1, 2, 3, 5 of the 5-channel remote controller

Shade 1 to be controlled by Channel 1

Shade 2 to be controlled by Channel 2

Shade 3 to be controlled by Channel 3

All Shades as group (Shades 1, 2, 3) to be controlled by Channel 5 (All)

### Order for Shades 4 and 5

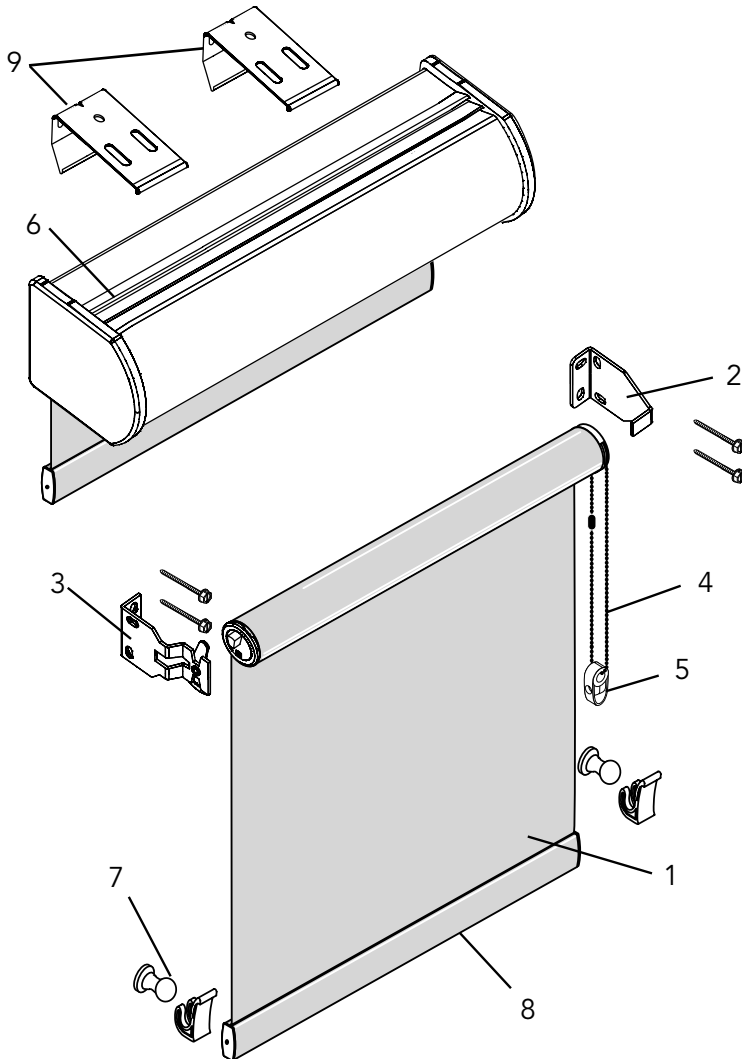
Controller: 1-channel Wall Switch

Channels: Channel 1 of the 1-channel Wall Switch

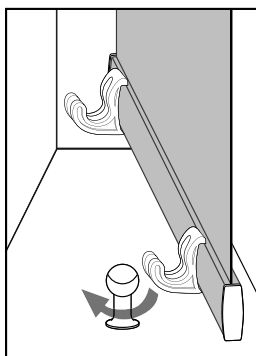
Shades 4 and 5 will be controlled as a group by Channel 1

# General Information

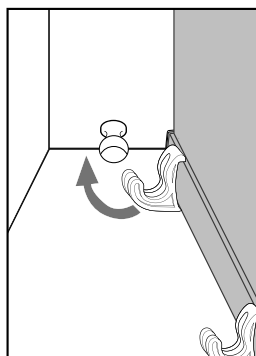
## CONTINUOUS-LOOP LIFT SYSTEM PRODUCT DETAIL



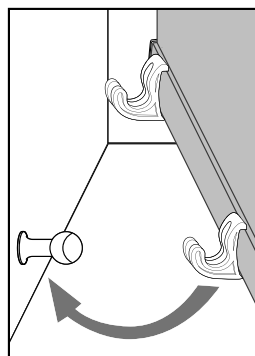
1. **Shade/Fabric**
  - Four exterior rated solar styles
  - 3% - 10% openness
  - Multiple colors
2. **Chain Control End Bracket**
  - Two sizes depending on overall shade size
  - Can be mounted top, back or side of shade
  - Zinc coated for exterior use
3. **Idle End Bracket**
  - Two sizes depending on overall shade size
  - Can be mounted top, back or side of shade
  - Zinc coated for exterior use
4. **Chain Control**
  - Stainless steel
  - Continuous-loop Lift chain remains at same length, regardless of shade position
  - Choose left or right chain location
5. **Chain Guide**
  - To prevent possible strangulation, the chain guide must be installed
  - Shown as inside mount
6. **Cassette Valance (optional)**
  - Cassette valances are powder coated
  - Colors available: Brown 873, Vanilla 970, White 871
  - Medium and large sizes available
  - Protects shade from exterior elements
  - Color coordinated cassette and end caps
7. **Hold-down**
  - Secures shade to the deck frame, wall or window sill
  - Three colors: Brown 873, Vanilla 970, White 871
  - See illustrations below for installation options
8. **Hem Bar**
  - Front - fabric covered
  - Back - color-coordinated to cassette or color selected at time of order
  - Colors available: Brown 873, Vanilla 970, White 871
9. **Cassette Brackets**
  - Top or back mount
  - Zinc coated for exterior use



Base/Sill Mount



Side/Jamb Mount

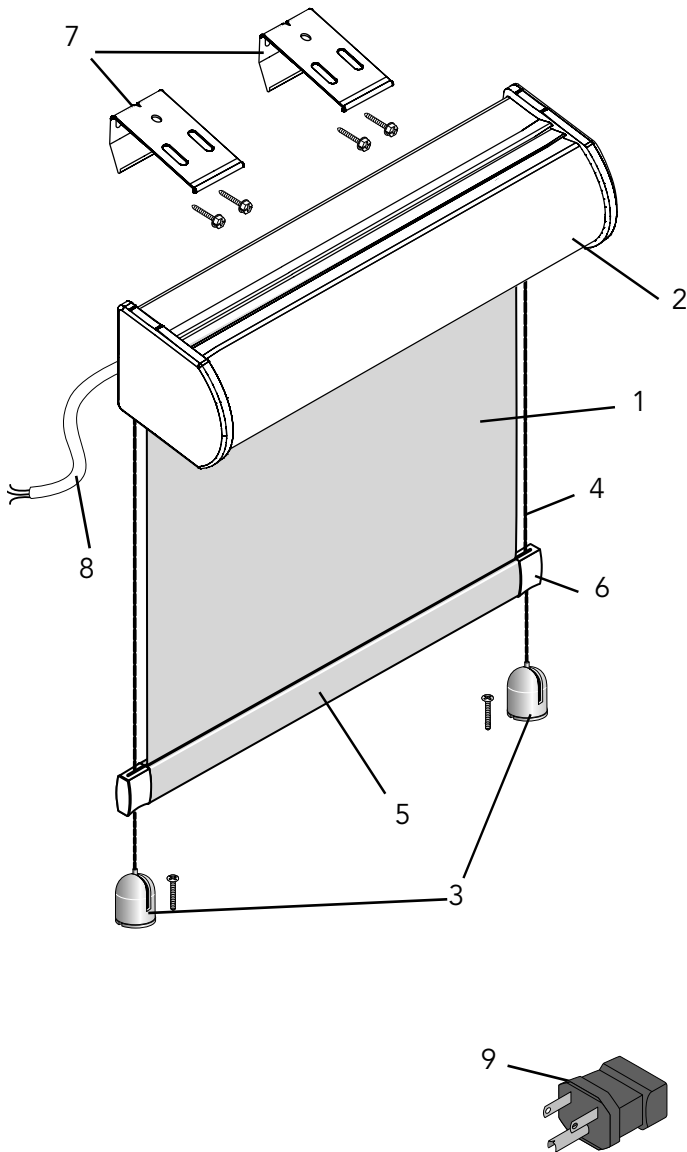


Back/Wall Mount

**NOTE: The installation screws provided are for mounting on wood. For mounting on materials other than wood, please consult a qualified contractor.**

# General Information

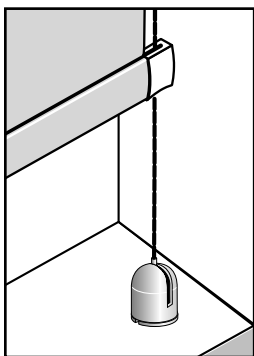
## MOTORIZED SHADE PRODUCT DETAIL



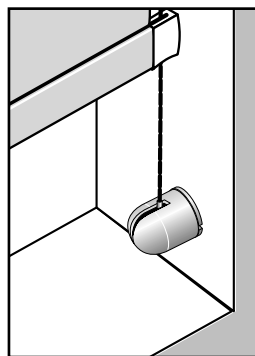
1. **Shade/Fabric**
  - Four exterior rated solar styles
  - 3% - 10% openness
  - Multiple colors
2. **Cassette Valance (standard)**
  - Large size only
  - Cassette valances are powder coated
  - Colors available: Brown 873, Vanilla 970, White 871
  - Color coordinated cassette endcaps
3. **Universal Cable Locks**
  - Connects to Guide Cable
  - Can be installed as Base, Side or Back Mounts
  - See illustrations below for installation options
4. **Guide Cables**
  - Stainless steel
5. **Hem Bar**
  - Front - fabric covered
  - Back - powder coated and color coordinated to the cassette color
6. **Hem Bar Guide Cable End Cap**
  - Color coordinated to the cassette color
7. **Cassette Brackets**
  - Shade can top or back mount
  - Zinc coated for exterior use
  - Number of brackets determined by shade size
8. **Motor Power Cable**
  - Right or left exit from cassette
  - 6' or 24'
9. **Plug (optional)**
  - Exterior rated
  - 3 wire, 15 amp
  - Used with Ground Fault Circuit Interrupter (GFCI) outlets

**NOTE: A licensed electrician is required for all electrical connections. All local and NEC codes must be followed.**

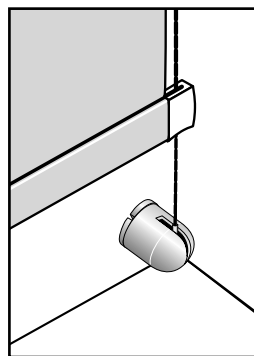
**NOTE: The installation screws provided are for mounting on wood. For mounting on materials other than wood, please consult a qualified contractor.**



Base/Sill Mount



Side/Jamb Mount



Back/Wall Mount



## Price Charts: Continuous-loop Exterior Solar Shades

**CONTINUOUS LOOP: SheerWeave 2390 , SheerWeave 2410, B500/SheerWeave 4000, B1000/SheerWeave 4100**

HEIGHT UP TO ↓	WIDTH UP TO →															
	24"	32"	36"	42"	48"	54"	60"	66"	72"	78"	84"	96"	108"	120"	132"	144"
36"	\$168	179	189	200	209	229	249	267	291	368	387	434	475	525	583	648
42"	170	181	197	214	229	251	273	295	320	398	421	469	519	572	636	706
48"	175	184	204	226	247	273	298	323	348	428	455	504	554	620	687	763
54"	181	187	211	238	264	293	322	348	373	460	485	543	599	666	740	821
60"	187	191	217	249	280	313	345	372	399	491	516	580	643	713	791	879
66"	191	196	231	266	300	344	370	399	427	523	546	608	687	760	844	937
72"	198	208	245	282	320	376	394	425	455	554	576	635	730	807	896	995
78"	204	222	260	299	338	386	415	449	483	586	615	676	771	852	946	1050
84"	210	235	274	314	356	397	436	474	511	620	652	715	811	896	995	1105
96"	216	252	299	345	391	438	484	526	567	693	758	841	933	1037	1141	1245
108"	233	285	336	387	439	491	544	590	636	781	828	932	1133	1259	1385	1511
120"	257	315	373	432	489	546	603	656	707	868	971	1107	1229	1365	1502	1570
132"	309	362	414	478	543	607	671	728	785	964	1036	1219	1364	1516	1667	1743
144"	317	389	460	531	602	673	743	807	872	1069	1229	1353	1513	1681	1849	1933
<b>OPTION SURCHARGES: ADD SURCHARGE TO SHADE PRICE</b>																
Medium Cassette Valance	100	105	111	132	133	139	146	154	162	174	189	202	217	233	250	268
Large Cassette Valance	119	125	132	145	156	166	175	186	195	209	226	242	260	279	300	322

### SOLAR STYLE AND COLORS

SHEERWEAVE 2390 (5%)		SHEERWEAVE 2410 (3%)		B500/SHEERWEAVE 4000 (5%)		B1000/SHEERWEAVE 4100 (10%)	
Beige . . . . .	Q2029	Beige . . . . .	Q2024	Alabaster . . . . .	51502	Alabaster . . . . .	51602
Beige/Pearl Gray . . . . .	Q2129	Beige/Pearl Gray . . . . .	Q2124	Chalk . . . . .	51501	Ash . . . . .	51609
Charcoal . . . . .	V2129	Charcoal . . . . .	V2124	Ebony . . . . .	51508	Chalk . . . . .	51601
Charcoal/Alpaca . . . . .	V3229	Charcoal/Alpaca . . . . .	V3224	Greystone . . . . .	51505	Ebony . . . . .	51608
Charcoal/Chestnut . . . . .	V2429	Charcoal/Chestnut . . . . .	V2424	Tobacco . . . . .	51506	Tobacco . . . . .	51606
Charcoal/Gray . . . . .	V2229	Charcoal/Gray . . . . .	V2224				
Oyster . . . . .	P1229	Oyster . . . . .	P1224				
Oyster/Beige . . . . .	P1329	Oyster/Beige . . . . .	P1324				
Oyster/Pearl Gray . . . . .	P1429	Oyster/Pearl Gray . . . . .	P1424				
Pearl Gray . . . . .	V2029	Pearl Gray . . . . .	V2024				

# Price Charts: Motorized Exterior Solar Shades

**MOTORIZED: SheerWeave 2390 , SheerWeave 2410, B500/SheerWeave 4000, B1000/SheerWeave 4100**

HEIGHT UP TO ↓	WIDTH UP TO →															
	28"	32"	36"	42"	48"	54"	60"	66"	72"	78"	84"	96"	108"	120"	132"	144"
36"	\$1735	1779	1828	1876	1902	1972	1993	2051	2080	2107	2171	2298	2431	2584	2784	3067
42"	1756	1810	1855	1899	1922	1993	2017	2083	2140	2157	2210	2345	2476	2639	2823	3106
48"	1777	1841	1882	1923	1941	2014	2042	2113	2188	2209	2247	2392	2520	2695	2863	3145
54"	1799	1871	1909	1947	1962	2035	2067	2143	2210	2258	2286	2440	2564	2749	2905	3184
60"	1815	1885	1927	1971	1982	2056	2092	2174	2245	2287	2319	2486	2617	2760	2960	3222
66"	1839	1902	1947	1992	2004	2078	2116	2205	2281	2330	2360	2536	2675	2811	2989	3262
72"	1856	1915	1964	2010	2055	2099	2141	2235	2318	2378	2409	2587	2717	2860	3049	3317
78"	1874	1932	1985	2036	2080	2122	2165	2266	2354	2416	2454	2633	2759	2911	3091	3373
84"	1888	1943	2003	2063	2108	2154	2191	2296	2391	2454	2497	2681	2802	2938	3137	3438
96"	1923	1989	2038	2088	2135	2182	2216	2325	2426	2492	2540	2728	2896	3028	3225	3532
108"	1959	2014	2059	2105	2154	2203	2259	2360	2482	2557	2612	2776	2988	3115	3313	3625
120"	1994	2072	2105	2137	2189	2238	2307	2417	2540	2618	2686	2808	3080	3204	3402	3718
132"	2029	2097	2116	2175	2241	2308	2349	2479	2597	2683	2758	2842	3173	3292	3491	3809
144"	2066	2137	2153	2219	2284	2350	2392	2564	2643	2748	2833	2911	3267	3381	3578	3903

Pricing includes RF Motor and Large Cassette Valance

### Motorization Controls






Radio Frequency Remote Controls	
Telis 1 Single Channel RF Remote: White	\$108
Telis 1 Single Channel RF Remote: Black or Silver	\$176
Telis 1 Single Channel Exterior RF Remote: White/Blue	\$134
Telis 4 Five Channel RF Remote: White	\$145
Telis 4 Five Channel RF Remote: Black or Silver	\$198
Telis 4 Five Channel Exterior RF Remote: White/Blue	\$146
Telis 16 Channel Remote: White or Silver	\$590
Radio Frequency Wall Switches	
DecoFlex Single Channel Wall Switch: White or Ivory	\$280
DecoFlex Single Channel Wall Switch: Black	\$340
DecoFlex Five Channel Wall Switch: White or Ivory	\$308
DecoFlex Five Channel Wall Switch: Black	\$350

120-volt Exterior Power	
120-volt Exterior Electrical 3-Prong Plug: 15 Amp	\$53
Additional Radio Frequency Controls	
RF Wind Sensor (includes exterior power cord with 3-prong plug)	\$324

## SOLAR STYLE AND COLORS

SHEERWEAVE 2390 (5%)		SHEERWEAVE 2410 (3%)		B500/SHEERWEAVE 4000 (5%)		B1000/SHEERWEAVE 4100 (10%)	
Beige . . . . .	Q2029	Beige . . . . .	Q2024	Alabaster . . . . .	51502	Alabaster . . . . .	51602
Beige/Pearl Gray . . . . .	Q2129	Beige/Pearl Gray . . . . .	Q2124	Chalk . . . . .	51501	Ash . . . . .	51609
Charcoal . . . . .	V2129	Charcoal . . . . .	V2124	Ebony . . . . .	51508	Chalk . . . . .	51601
Charcoal/Alpaca . . . . .	V3229	Charcoal/Alpaca . . . . .	V3224	Greystone . . . . .	51505	Ebony . . . . .	51608
Charcoal/Chestnut . . . . .	V2429	Charcoal/Chestnut . . . . .	V2424	Tobacco . . . . .	51506	Tobacco . . . . .	51606
Charcoal/Gray . . . . .	V2229	Charcoal/Gray . . . . .	V2224				
Oyster . . . . .	P1229	Oyster . . . . .	P1224				
Oyster/Beige . . . . .	P1329	Oyster/Beige . . . . .	P1324				
Oyster/Pearl Gray . . . . .	P1429	Oyster/Pearl Gray . . . . .	P1424				
Pearl Gray . . . . .	V2029	Pearl Gray . . . . .	V2024				

# Radio Frequency Controls

RADIO FREQUENCY (RF) CONTROLS (RF RANGE 65 FT)			
	<p><b>Telis Hand-held Remotes</b></p> <ul style="list-style-type: none"> <li>• Radio Frequency only</li> <li>• Compatible with all Somfy RTS Motors</li> <li>• Used to control single blinds/shades on each channel or group blinds/shades performing the same function</li> <li>• Battery included</li> <li>• Each remote includes convenient mounting hardware for hanging when not in use</li> </ul> <table border="0" style="width: 100%;"> <tr> <td style="width: 50%; vertical-align: top;"> <p><b>Telis 1, Single Channel Remote</b> Available colors -Interior: White, Silver, Black -Exterior: Patio Blue</p> </td> <td style="width: 50%; vertical-align: top;"> <p><b>Telis 4, Five Channel Remote</b> Available colors -Interior: White, Silver, Black -Exterior: Patio Blue</p> </td> </tr> </table>	<p><b>Telis 1, Single Channel Remote</b> Available colors -Interior: White, Silver, Black -Exterior: Patio Blue</p>	<p><b>Telis 4, Five Channel Remote</b> Available colors -Interior: White, Silver, Black -Exterior: Patio Blue</p>
<p><b>Telis 1, Single Channel Remote</b> Available colors -Interior: White, Silver, Black -Exterior: Patio Blue</p>	<p><b>Telis 4, Five Channel Remote</b> Available colors -Interior: White, Silver, Black -Exterior: Patio Blue</p>		
	<p><b>Telis 16, Sixteen Channel Hand-held Remote</b></p> <ul style="list-style-type: none"> <li>• Radio Frequency only</li> <li>• Compatible with all Somfy RTS Motors</li> <li>• Used to control a single blind/shade on each channel or group blinds/shades performing the same function</li> <li>• Batteries included</li> <li>• Each remote includes convenient mounting hardware for hanging when not in use</li> <li>• Available colors: Interior only – White, Silver</li> </ul>		
	<p><b>Decoflex Wireless Wall Switches (available as single or five channel)</b></p> <ul style="list-style-type: none"> <li>• Radio Frequency only</li> <li>• Compatible with all Somfy RTS Motors</li> <li>• Used to control a single blind/shade on each channel or group blinds/shades performing the same function</li> <li>• Switches include button labels and mounting hardware to flush mount in drywall (wireless)</li> <li>• Battery included</li> <li>• Available colors: White, Ivory and Black</li> </ul> <table border="0" style="width: 100%;"> <tr> <td style="width: 50%; vertical-align: top;"> <p><b>Telis 1, Single Channel Wall Switch</b> Available colors -Interior: White, Ivory, Black</p> </td> <td style="width: 50%; vertical-align: top;"> <p><b>Telis 4, Five Channel Wall Switch</b> Available colors -Interior: White, Ivory, Black</p> </td> </tr> </table>	<p><b>Telis 1, Single Channel Wall Switch</b> Available colors -Interior: White, Ivory, Black</p>	<p><b>Telis 4, Five Channel Wall Switch</b> Available colors -Interior: White, Ivory, Black</p>
<p><b>Telis 1, Single Channel Wall Switch</b> Available colors -Interior: White, Ivory, Black</p>	<p><b>Telis 4, Five Channel Wall Switch</b> Available colors -Interior: White, Ivory, Black</p>		
	<p><b>Decoflex Table Top Remotes (available as single or five channel)</b></p> <ul style="list-style-type: none"> <li>• Radio Frequency only</li> <li>• Compatible with all Somfy RTS Motors</li> <li>• Used to control a single blind/shade on each channel or group blinds/shades performing the same function</li> <li>• Switches include button labels</li> <li>• Battery included</li> <li>• Available color: Black and Silver with black wall switch</li> </ul> <table border="0" style="width: 100%;"> <tr> <td style="width: 50%; vertical-align: top;"> <p><b>Telis 1, Single Channel Table Top Remote</b> Available colors -Interior: Silver, Black -Includes black wall switch</p> </td> <td style="width: 50%; vertical-align: top;"> <p><b>Telis 4, Five Channel Table Top Remote</b> Available colors -Interior: Silver, Black -Includes black wall switch</p> </td> </tr> </table>	<p><b>Telis 1, Single Channel Table Top Remote</b> Available colors -Interior: Silver, Black -Includes black wall switch</p>	<p><b>Telis 4, Five Channel Table Top Remote</b> Available colors -Interior: Silver, Black -Includes black wall switch</p>
<p><b>Telis 1, Single Channel Table Top Remote</b> Available colors -Interior: Silver, Black -Includes black wall switch</p>	<p><b>Telis 4, Five Channel Table Top Remote</b> Available colors -Interior: Silver, Black -Includes black wall switch</p>		
	<p><b>Wireless Timer</b></p> <ul style="list-style-type: none"> <li>• Compatible with all Somfy RTS Motors</li> <li>• Used to control a single blind/shade on each channel or group blinds/shades performing the same function</li> <li>• Also operate shades as a remote (Chronis comfort timer, 1 channel)</li> <li>• 4 timed functions per day including 2 up commands and 2 down commands</li> <li>• Batteries included</li> </ul> <p><b>Chronis Comfort Timer, Single Channel</b></p> <ul style="list-style-type: none"> <li>• Wall mountable but doesn't have to be mounted</li> </ul>		

**Note: See motorization price guide for additional control options**

# Exterior Motorization Controls

## EXTERIOR SOLAR SHADE MOTORIZATION CONTROLS

### Eolis RF Wind Sensor

The Somfy's Eolis RF Wind Sensor is a radio wind sensor for exterior motorized shades. The sensor detects a wind threshold and automatically raises the shades. The wind threshold is adjustable. Powered by plugging into a 120-volt electrical outlet. Exterior-rated fasteners are not included.



### Exterior-Rated Plug

Optional black electrical 3-wire plug, 15 amp. To be used with a GFCI outlet. This allows the shade to be plugged in versus hard-wired.



## OPTIONS PRICING

OPTION	SURCHARGE
Cable Locks (Motorized)	No Charge
Cassette Valance	Continuous-loop – see Price Chart surcharges Motorized – Included in price
Component Colors	No Charge
Continuous-loop Lift System	Standard – see Continuous-loop Price Chart
Custom Programming (Motorized)	No Charge
Fabric turned 90° width for height (Railroaded)	No Charge
Guide Cables (Motorized)	No Charge
Hold-down Brackets (Continuous-loop)	No Charge
Motorized Lift System	See Motorization Price Chart (Page 10) and/or Tab
Reverse Roll	No Charge
Seaming	No Charge
Stainless Steel Chain	No Charge



*Graber is a brand of Springs Window Fashions, the Best Experience Company*

