

# 2" (5.1 CM) HORIZONTAL VINYL BLINDS

## Table of Contents

### Features and Size Considerations

2" (5.1 cm) Horizontal Vinyl Blinds: Slat Styles and Information . . . . .	2
Size Considerations . . . . .	2
Depth Requirements for Inside Mount . . . . .	2

### Options

Summary . . . . .	3
Control Options . . . . .	4
Motorized Tilt Control . . . . .	5
Multiple Blinds on One Headrail . . . . .	6
Cloth Tapes . . . . .	7
Cut-Out Blinds . . . . .	7
NoHoles™ Option . . . . .	7
Control Length Chart for Cords and Wands . . . . .	7
Bay and Corner Windows . . . . .	8
Valance Styles . . . . .	9
How to Measure and Order Valances . . . . .	9
How to Order Valance Returns . . . . .	9

### General Information

Slat Count Table . . . . .	10
Ladder Count Table . . . . .	10
2" (5.1 cm) Horizontal Vinyl Product Detail . . . . .	11

### Price Charts and Options Pricing

Price Group A: 2" (5.1 cm) Horizontal Vinyl Blinds: Crown . . . . .	13
Price Group B: 2" (5.1 cm) Horizontal Vinyl Blinds: Cachet, Fiber, Linen, Quantum, Rapture . . . . .	14
Price Group C: 2" (5.1 cm) Horizontal Vinyl Blinds: Coronation, Georgetown, Homespun II, Kensington, Safari . . . . .	15
Valance Replacement Pricing . . . . .	16
Options Pricing . . . . .	16

# GRABER®

UNITED STATES PRICE LIST • FEBRUARY 2019

## Features and Size Considerations

- SureClose™ headrail 1 5/8" x 2 1/4" (4.2 cm x 5.8 cm) with premium lightblocking features
  - Non-lead vinyl slats offer superior privacy and room darkening
  - Neutral street side appearance
  - White vinyl bottomrail
  - Color coordinated components
  - All styles coordinate with Graber® Vinyl Vertical Blinds
- Wand tilt standard, cord tilt optional
  - 2" (5.1 cm) single slat valance standard (other options available)
  - Decorative cloth tapes or NoHoles™ available
  - Limited lifetime warranty on headrail and components; three year warranty on slats

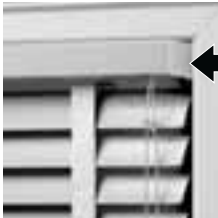

### 2" (5.1 cm) Horizontal Vinyl Blinds: Slat Styles and Information

Collection Name	Price Chart	Coordinates with Vertical Blinds	Neutral to Street Side	Light Control	Flame Retardant NFPA 701
Cachet	B	•	•	room darkening	yes
Coronation	C	•	•	room darkening	yes
Crown	A	•	•	room darkening	yes
Fiber	B	•	•	room darkening	yes
Georgetown	C	•	•	room darkening	yes
Homespun II	C	•	•	room darkening	yes
Kensington	C	•	•	room darkening	yes
Linen	B	•	•	room darkening	yes
Quantum	B	•	•	room darkening	yes
Rapture	B	•	•	room darkening	yes
Safari	C	•	•	room darkening	yes

### Size Considerations

Minimum Blind Width	9" (22.9 cm) outside mount 9 1/2" (24.2 cm) inside mount
Minimum Blind Width (exceptions)	9" to 11 1/8" (22.9 cm to 30.4 cm) are center tilt only 16 1/8" (40.8 cm) minimum for same side controls
Maximum Single Blind Width	84" (213.4 cm)
Maximum Width (multiple blinds on one headrail)	120" (304.8 cm)
Minimum Blind Height	12" (30.5 cm)
Maximum Blind Height	108" (274.4 cm)

### Depth Requirements for Inside Mount

<b>Headrail Dimensions</b> inches (cm)	 <p>Partially recessed headrail in window casing/molding</p>	 <p>Fully recessed headrail in window casing/molding</p>
<b>Headrail Dimensions</b> inches (cm)	<b>Minimum Depth Mount</b> inches (cm)	<b>Flush with Casing</b> inches (cm)
1 5/8 x 2 1/4 (4.2 x 5.8)	3/4 (2.0)	Without valance: 2 5/8 (6.7) With standard valance: 3 3/8 (8.5) With double valance: 4 (10.2)

# Options

## Summary

The following is a list of options for 2" (5.1 cm) horizontal vinyl blinds. All options are available in all styles and colors. See detailed descriptions on the following pages.

### Control Type Options:

(see price charts for pricing and/or surcharges)

- Wand tilt (standard): no charge
- Cord tilt (optional): no charge
- Ring tilt and ring lift: no charge
- Motorized tilt: surcharge

### Blind Options—No Charge

- Bay or corner window
- Standard clear cord cleats
- Controls:
  - Standard control location (tilt left, lift right)
  - Same side control location (tilt right, lift right or tilt left, lift left)
  - Reverse control location (tilt right, lift left)
- Hold down brackets
- Projection brackets (not available on inside mount)
  - 2¾" (7.0 cm)
  - 4¾" (12.1 cm)
- Shims
- Special control length

### Blind Options—Surcharge

(see price charts for pricing and/or surcharges)

- Cloth tapes:
  - 1" (2.6 cm)
  - 1½" (3.9 cm)
- Cut-outs
- Double valance
- Multiple blinds on one headrail less than 84" (213.4 cm)
- Sky pole
  - 3 feet to 6½ feet (0.9 m to 2.0 m)
  - 5 feet to 9½ feet (1.5 m to 2.9 m)
- Wood cornice (see cornice and valance price list)
- Decorative cord cleats
- NoHoles™

# Options

## Control Options



### Cord Tilt

- No charge
- Optional



### Wand Tilt

- No charge
- Standard



### Ring Tilt

- No charge
- Optional
- Sky pole available for a surcharge for operation of the ring tilt



Sky Pole

# Options

## Motorized Tilt Control



Refer to motorization price list for additional options, sizing, and pricing

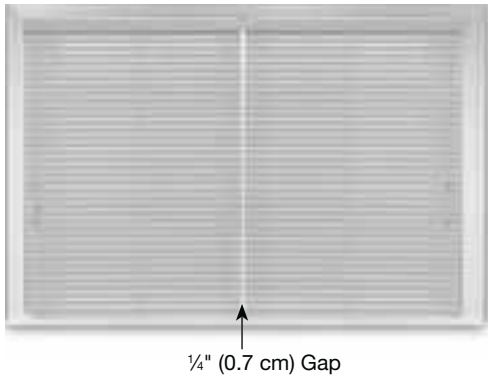
### Features

- Motorization will only tilt slats; raising or lowering the blind is manual with cord lift
- Provides easy operation of hard-to-reach or large window coverings
- A safer alternative to accessible cords that are traditionally used to operate window coverings; ideal for homes with children and pets
- Efficiently manages energy (heat gain and loss)
- Operate multiple window treatments simultaneously or individually
- Easily integrated with home automation systems
- Low voltage motorization requires no costly electrical hard-wiring
- Motor located on the left side within the headrail; lift is on the right side
- Not available with specialty shapes or hold down brackets
- Not available as multiple blinds on one headrail
- Available with multiple power and control options

**NOTE:** Refer to the motorization price list for control and power options.

# Options

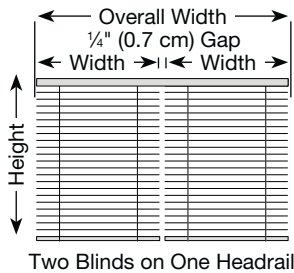
## Multiple Blinds on One Headrail



- **Surcharge:** blinds less than or equal to 84" (213.4 cm)
  - Two blinds on one headrail
  - See price charts and options pricing
- **No charge:** blinds 84 $\frac{1}{16}$ " to 120" (213.6 cm to 304.8 cm)
  - Two blinds can be installed on a single headrail to provide a practical treatment for larger windows or sliding patio doors
  - Due to weight limitations, blinds over 84" (213.4 cm) must be manufactured as two blinds on one headrail.

Multiple Blinds	Maximum Overall Size for Multiple Blinds inches (cm)	Standard Control Locations	Gap inches (cm)
Two-On-One Headrail	120 x 108 (304.8 x 274.3)	left panel (tilt and lift left) right panel (tilt and lift right)	$\frac{1}{4}$ (0.7) $\frac{1}{2}$ (1.3) on NoHoles™

**NOTE:** Optional control positions may be requested. Lift position cannot be located in the center of the blind for two-on-one headrail.



### Measuring:

1. Measure overall width of the area to be covered. If space permits, an overlap of 1 $\frac{1}{2}$ " (3.9 cm) per side is recommended for outside mounts.
2. Measure the width of the area each blind is to cover. Measure and specify the left blind first, continuing to the right. Allow a minimum of  $\frac{1}{4}$ " (0.7 cm) between blinds for operating clearance.
3. Total width of all blinds, plus clearance(s) must equal overall width.
4. Measure height as follows:
  - a. For windows, use standard inside or outside measuring procedures.
  - b. For patio doors, measure height within  $\frac{3}{4}$ " (2.0 cm) of floor, either from ceiling or a point at least 6 $\frac{1}{2}$ " (16.6 cm) above the door frame. Check slat count table if blind is to completely clear the doorway.

### Ordering:

1. Indicate whether two or three blinds are to be mounted on one headrail.
2. Specify total width of headrail.
3. Indicate each panel width separately, specify left blind first, continuing to the right.
4. Specify control positions, if other than standard.
5. Add appropriate surcharge (if less than 84" (213.4 cm)).

# Options

## Cloth Tapes



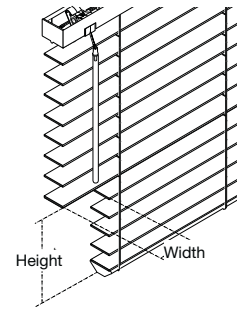
- For surcharge, see price charts
- Not available with NoHoles™
- Colors available:

1" (2.6 cm) Solid Tapes		1½" (3.9 cm) Solid Tapes	
Beige	1011	Beige	2011
Black	1033	Black	2033
Cocoa	1297	Chocolate	2353
Duck White	1136	Cocoa	2297
Toffee	1296	Dark Grey	2857
		Duck White	2136
		Light Beige	2137
		Light Grey	2861
		Maroon	2360
		Moss	2500
		Navy	2369
		Pecan	2403
		Taupe	2659
		Toffee	2296
		Wheat	2710
		White	2005
		White Smoke	2617

## Cut-Out Blinds



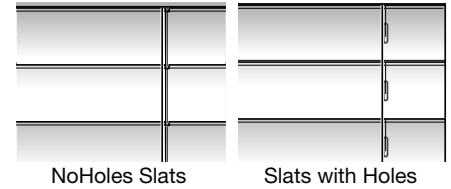
- For surcharge, see options pricing
- Bottom corner and side cut-outs only
- Maximum cut-out is 1" (2.6 cm) before route hole or NoHoles notch (corner and side cut-outs only)
- Cut-outs are created with slats tilted in the closed position for maximum clearance
- The cut-out height may be larger than requested due to slat placement
- Measure height from the bottom of the blind up to the desired location



## NoHoles Option



- For surcharge, see price charts
- Provides maximum privacy and light control
- The design of the NoHoles option eliminates route holes, providing additional privacy and the best available light control
- Cleaning is simplified by sliding the NoHoles slats out and wiping clean, or keep the slats in place and vacuuming using a soft brush attachment
- Not available on blinds with cloth tape option



## Control Length Chart for Cords and Wands

Finished Blind Height inches (cm)	Wand Length inches (cm)	Cord Length
FBL LT/= 36 (91.4)	12 (30.5)	½ of blind height
36⅞ to 60 (91.6 to 152.4)	20 (50.8)	
60⅞ to 70 (152.5 to 177.9)	30 (76.2)	
70⅞ to 80 (269.4 to 203.2)	40 (101.6)	
80⅞ to 90 (203.4 to 228.6)	50 (127)	
90⅞ to 100 (228.8 to 254)	60 (152.4)	
100⅞ to 120 (254.2 to 304.8)	72 (182.9)	

**NOTE:** Above control lengths may not fit your control needs based on window location or operator. Special cords and wands may be requested at the time of ordering.

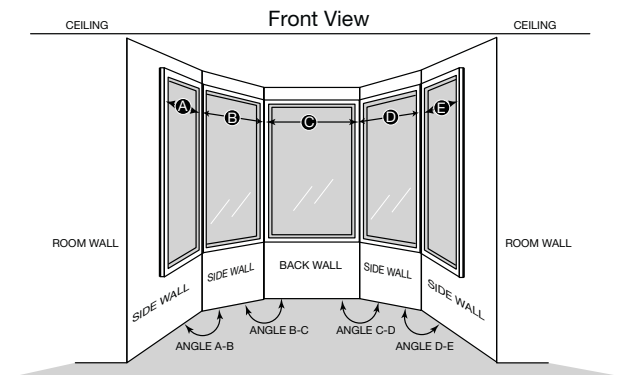
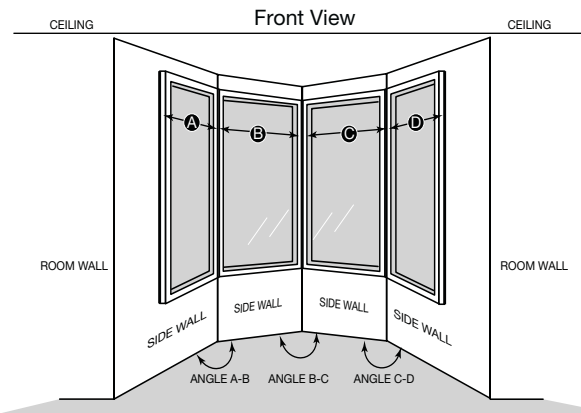
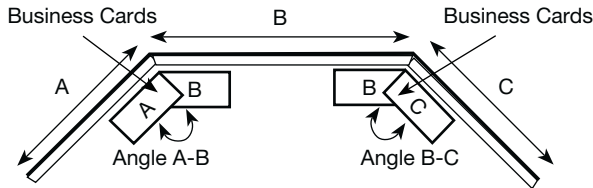
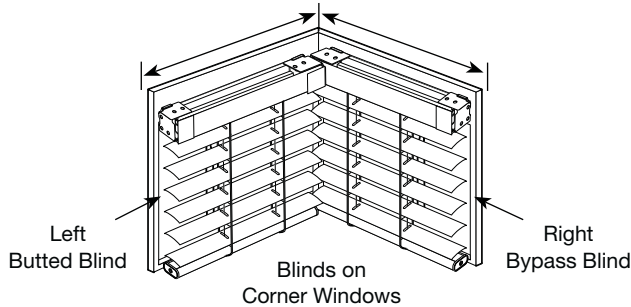
# Options

## Bay and Corner Windows

- Made as individual blinds to fit in bay or corner windows
- Each section will have its own control, we recommend opposite corners
- Indicate each blind with “bypass” or “butt”; bypass means the blind is mounted into the corner; butt means the blind is butted up to the other blind

- Must provide blind location (left and right blind)
- Slat alignment cannot be guaranteed on side by side blinds
- Manufacturer will take appropriate deductions for proper fit
- No additional charge
- Cornices are not available

**NOTE:** If you do not want manufacturer to take deductions, DO NOT order as bay or corner.



### Measuring Information

#### Corner Window

Measure:

Width of each window from corner to the point you would like to cover.

#### Three-Sided Bay Window

Measure:

A and C: Width of side windows from the corners to the point you would like the blind to cover.

B: Width of the center window from corner to corner.

Angle A-B: Angle between windows (A) and (B).

Angle B-C: Angle between windows (B) and (C).

#### Four-Sided Bay Window

Measure:

A and D: Width of side windows from the corners to the point you would like the blind to cover.

B and C: Width of each window from corner to corner.

Angle A-B: Angle between windows (A) and (B).

Angle B-C: Angle between windows (B) and (C).

Angle C-D: Angle between windows (C) and (D).

#### Five-Sided Bay Window

Measure:

A and E: Width of side windows from the corners to the point you would like the blind to cover.

B, C and D: Width of each center window from corner to corner.

Angle A-B: Angle between windows (A) and (B).

Angle B-C: Angle between windows (B) and (C).

Angle C-D: Angle between windows (C) and (D).

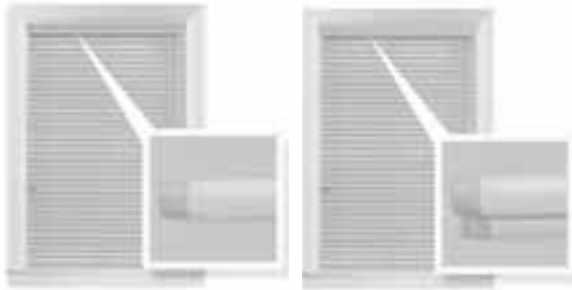
Angle D-E: Angle between windows (D) and (E).

**NOTE:** Measure bay angle using protractor or angle finder, or use two business cards in bay corner as illustrated above trace angle onto paper and fax to customer service.



# Options

## Valance Styles



Standard Valance

Double Valance

### Standard Valance

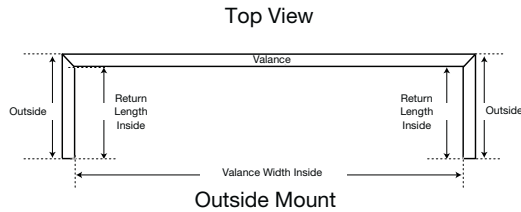
- No charge
- 2" (5.1 cm) single slat valance is standard and provides a finished look

### Double Valance

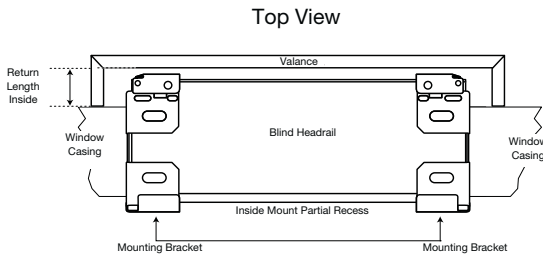
- Surcharge option
- Provides better headrail coverage for a more upscale look
- Height of double valance is 3" (7.7 cm)

Valance Type	Tilt Type	Return Length inches (cm)	Full Recess Depth inches (cm)	Inside Mount inches (cm)	Outside Mount inches (cm)
Standard	All	3 <sup>5</sup> / <sub>16</sub> (8.5)	3 <sup>5</sup> / <sub>16</sub> (8.5)	120 (304.8) FBW	120 (304.8) FBW
Double	All	3 <sup>5</sup> / <sub>16</sub> (10.1)	4 (10.2)	120 (304.8) FBW	120 (304.8) FBW

## How to Measure and Order Valances



Outside Mount



Inside Mount

The appropriate valance (inside or outside mount) will be supplied with your blind order. For a more custom look, valance and returns may be special ordered.

**NOTE:** Valances with returns are measured and cut from the **INSIDE (BACKSIDE)** of the valance to ensure the most accurate fit when installed over the headrail or window frame.

### Outside Mount Valance

It is typically required that the valance is entered into the system and manufactured **WITH** returns. However, outside mount valances are available **WITHOUT** returns if needed.

**NOTE: FAXED** orders for outside mount valances will **AUTOMATICALLY** be entered with returns unless otherwise specified. Certain accounts that enter orders electronically **WILL BE REQUIRED TO SELECT WITH OR WITHOUT RETURNS** in their system during entry.

### Inside Mount Valance

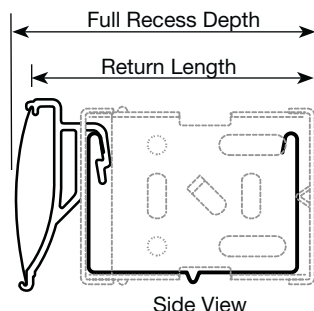
It is typically required for the valance to be entered in the system and manufactured **WITHOUT** returns.

**NOTE:** Valance without returns have ends that are cut straight and look best when the blind and valance are fully recessed into the window casing. However, inside mount valances are available **WITH** returns for blinds that are unable to be fully recessed into the window casing.

### Additional ordering information:

- If projection brackets are requested at the time of order for a valance with returns, longer returns will be automatically sent
- Please state at the time of order if the valance and return measurements are for the **EXACT** size required so that no additions or deductions are made

## How to Order Valance Returns



Side View

1. Full recess is from front of valance to wall.
2. Return length is from back of the valance corner to wall.

### Determining a special return length for **INSIDE MOUNT** blinds not fully recessed:

1. Using the chart above, locate the standard return length by selecting your valance type.
2. Measure the recessed space (depth) of your window casing.
3. Subtract the recessed space measurement from the standard return length.
4. The difference will be the special return length you will need to order for your **INSIDE MOUNT** valances.

**NOTE:** Minimum return length is 1" (2.6 cm).

# General Information

## Slat Count Table

Finished Blind Height	Number of Slats	Finished Stack Height inches (cm)
12	7	
13	7	
14	8	
15	8	4 <sup>1</sup> / <sub>16</sub> (10.4)
16	9	
17	10	
18	10	
19	11	
20	11	4 <sup>3</sup> / <sub>16</sub> (11.2)
21	12	
22	12	
23	13	
24	14	
25	14	4 <sup>11</sup> / <sub>16</sub> (12.0)
26	15	
27	15	
28	16	
29	16	
30	17	5 (12.7)
31	18	
32	18	
33	19	
34	19	
35	20	5 <sup>1</sup> / <sub>4</sub> (13.4)
36	21	
37	21	
38	22	
39	22	
40	23	5 <sup>5</sup> / <sub>16</sub> (14.2)
41	23	
42	24	
43	25	
44	25	

Finished Blind Height	Number of Slats	Finished Stack Height inches (cm)
45	26	5 <sup>5</sup> / <sub>8</sub> (15.0)
46	26	
47	27	
48	27	
49	28	
50	29	6 <sup>1</sup> / <sub>16</sub> (15.8)
51	29	
52	30	
53	30	
54	31	
55	31	6 <sup>1</sup> / <sub>2</sub> (16.6)
56	32	
57	33	
58	33	
59	34	
60	34	6 <sup>3</sup> / <sub>4</sub> (17.2)
61	35	
62	36	
63	36	
64	37	
65	37	7 <sup>1</sup> / <sub>16</sub> (18.0)
66	38	
67	38	
68	39	
69	40	
70	40	7 <sup>5</sup> / <sub>8</sub> (18.8)
71	41	
72	41	
73	42	
74	42	
75	43	7 <sup>11</sup> / <sub>16</sub> (19.6)
76	44	
77	44	

Finished Blind Height	Number of Slats	Finished Stack Height inches (cm)
78	45	
79	45	
80	46	8 (20.4)
81	46	
82	47	
83	48	
84	48	
85	49	8 <sup>1</sup> / <sub>4</sub> (21.0)
86	49	
87	50	
88	51	
89	51	
90	52	8 <sup>5</sup> / <sub>16</sub> (21.8)
91	52	
92	53	
93	53	
94	54	
95	55	8 <sup>7</sup> / <sub>8</sub> (22.6)
96	55	
97	56	
98	56	
99	57	
100	57	9 <sup>1</sup> / <sub>16</sub> (23.4)
101	58	
102	59	
103	59	
104	60	
105	60	9 <sup>1</sup> / <sub>2</sub> (24.2)
106	61	
107	62	
108	62	

**NOTE:** Finished heights include headrail and bottomrail.

## Ladder Count Table

### Standard or Reversed Controls

Finished Blind Width inches (cm)	Number of Ladders	Number of Lifts	Number of NoHoles™ Lifts
9 to 26 (22.9 to 66.1)	2	2	4
26 <sup>1</sup> / <sub>16</sub> to 44 (66.2 to 111.8)	3	3	6
44 <sup>1</sup> / <sub>16</sub> to 62 (112.0 to 157.5)	4	4	8
62 <sup>1</sup> / <sub>16</sub> to 84 (157.7 to 214.4)	5	5	10

### Same Side Controls

Finished Blind Width inches (cm)	Number of Ladders	Number of Lifts	Number of NoHoles Lifts
16 <sup>1</sup> / <sub>16</sub> to 30 (40.8 to 76.2)	2	2	4
30 <sup>1</sup> / <sub>16</sub> to 48 (76.4 to 122.0)	3	3	6
48 <sup>1</sup> / <sub>16</sub> to 66 (122.1 to 167.7)	4	4	8
66 <sup>1</sup> / <sub>16</sub> to 84 (167.8 to 213.4)	5	5	10

### Motorized Tilt

Finished Blind Width inches (cm)	Number of Ladders	Number of Lifts
19 to 30 (48.3 to 76.2)	2	2
30 <sup>1</sup> / <sub>16</sub> to 48 (76.4 to 122.0)	3	3
48 <sup>1</sup> / <sub>16</sub> to 66 (122.1 to 167.7)	4	4
66 <sup>1</sup> / <sub>16</sub> to 84 (167.8 to 213.4)	5	5

**NOTE:** On all inside mount blinds, take deduction BEFORE determining ladder and lift quantity. Cloth ladder quantity is the same as number of ladders listed above.

### Inside Mount:

Order width minus 1/2" (1.3 cm)

#### EXAMPLE:

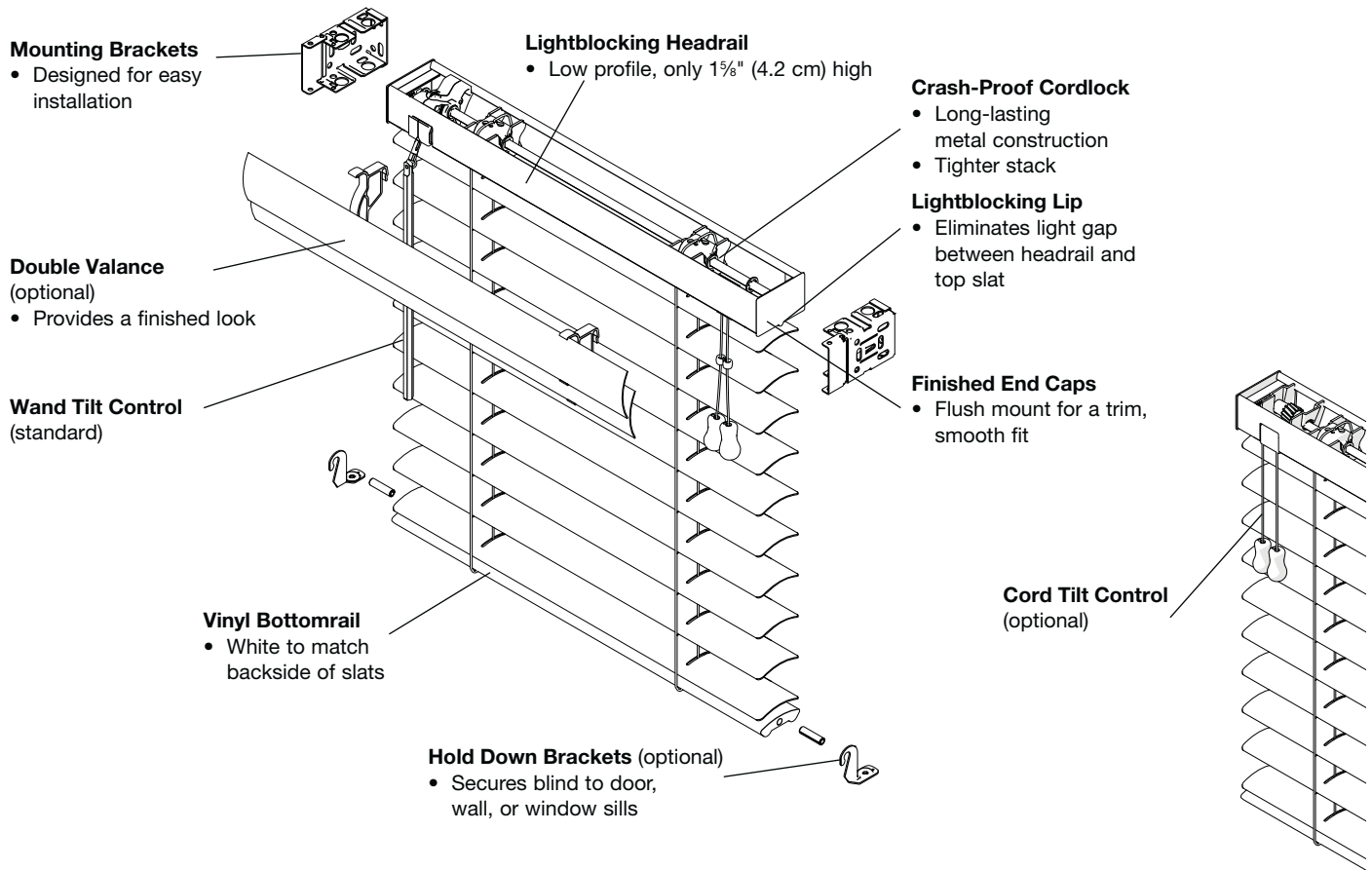
30" (76.2 cm) width inside mount blind minus 1/2" (1.3 cm) deduction equals 29 1/2" (75.0 cm) finished blind width

### Outside Mount: No deduction

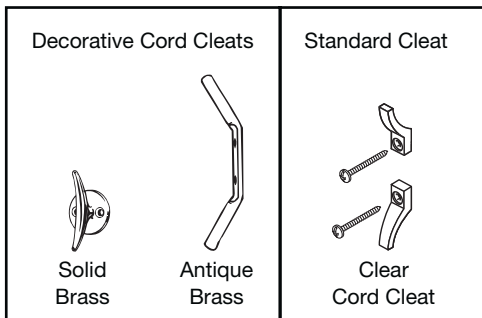
**NOTE:** Blinds with two lift cords will have two clear plastic cord stop beads located approximately 2" (5.1 cm) below the headrail. Cords will continue down, each ending in a tassel. Blinds with three or more lift cords will have cords joined together with a tassel approximately 2" (5.1 cm) below the headrail. Two individual cords will continue down each ending in a tassel.

# General Information

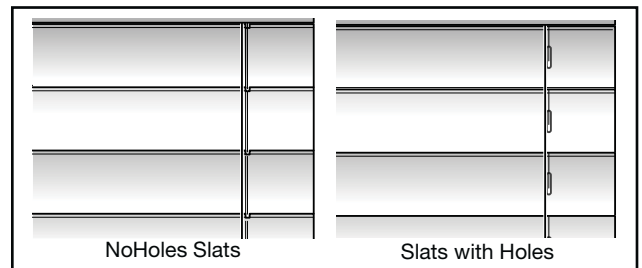
## 2" (5.1 cm) Horizontal Vinyl Product Detail



### Cord Management Options



### NoHoles™





# Price Charts

## Price Group A: 2" (5.1 cm) Horizontal Vinyl Blinds: Crown

Height up to inches (cm)	Width up to inches (cm) →															
	18 (45.8)	24 (61.0)	31 (78.8)	36 (91.5)	42 (106.7)	48 (122.0)	54 (137.2)	60 (152.4)	66 (167.7)	72 (182.9)	78 (198.2)	84 (213.4)	90 (228.6)	96 (243.9)	108 (274.4)	120 (304.8)
42 (106.7)	\$129	111	137	154	183	190	201	242	262	272	289	310	342	365	411	465
48 (122.0)	136	118	152	171	195	209	224	268	287	304	319	342	381	406	450	509
54 (137.2)	147	127	158	185	213	225	242	295	310	328	346	372	412	440	490	552
60 (152.4)	159	139	172	195	228	242	262	315	337	356	370	399	441	470	532	600
66 (167.7)	169	148	187	209	242	264	282	338	362	385	403	435	476	508	571	647
72 (182.9)	177	156	197	225	262	282	300	366	385	412	431	465	510	544	613	691
78 (198.2)	186	168	213	240	282	300	323	385	412	435	459	494	546	582	644	730
84 (213.4)	196	177	225	251	300	320	338	410	435	465	487	524	581	620	687	775
90 (228.6)	208	187	240	264	310	337	356	435	459	494	516	555	611	651	732	827
96 (243.9)	214	195	251	282	328	353	381	455	486	516	545	586	647	691	767	865
102 (259.1)	225	207	262	295	342	372	397	477	510	546	574	618	685	731	806	911
108 (274.4)	234	213	272	306	366	393	417	505	542	566	601	647	717	764	850	957
<b>Surcharge: Valance Option</b>																
Double Valance	\$3	3	3	3	4	4	4	6	6	6	6	6	6	6	6	10

**NOTE:** Smallest width available 9" (22.9 cm) exact. Widths from 9" to 11<sup>5</sup>/<sub>16</sub>" (22.9 cm to 30.4 cm) are center tilt only.

**Multiple Blinds on One Headrail**  
Blinds less than or equal to 84" (213.4 cm): add surcharge: **\$44 two-on-one headrail**

**Multiple Blinds on One Headrail**  
Blind widths 84<sup>1</sup>/<sub>16</sub>" to 120" (213.6 cm to 304.8 cm): **no charge**

### Crown with Cloth Tapes or NoHoles™

Height up to inches (cm)	Width up to inches (cm) →															
	18 (45.8)	24 (61.0)	31 (78.8)	36 (91.5)	42 (106.7)	48 (122.0)	54 (137.2)	60 (152.4)	66 (167.7)	72 (182.9)	78 (198.2)	84 (213.4)	90 (228.6)	96 (243.9)	108 (274.4)	120 (304.8)
42 (106.7)	\$155	133	164	185	220	228	241	290	314	326	347	372	410	438	493	558
48 (122.0)	163	142	182	205	234	251	269	322	344	365	383	410	457	487	540	611
54 (137.2)	176	152	190	222	256	270	290	354	372	394	415	446	494	528	588	662
60 (152.4)	191	167	206	234	274	290	314	378	404	427	444	479	529	564	638	720
66 (167.7)	203	178	224	251	290	317	338	406	434	462	484	522	571	610	685	776
72 (182.9)	212	187	236	270	314	338	360	439	462	494	517	558	612	653	736	829
78 (198.2)	223	202	256	288	338	360	388	462	494	522	551	593	655	698	773	876
84 (213.4)	235	212	270	301	360	384	406	492	522	558	584	629	697	744	824	930
90 (228.6)	250	224	288	317	372	404	427	522	551	593	619	666	733	781	878	992
96 (243.9)	257	234	301	338	394	424	457	546	583	619	654	703	776	829	920	1038
102 (259.1)	270	248	314	354	410	446	476	572	612	655	689	742	822	877	967	1093
108 (274.4)	281	256	326	367	439	472	500	606	650	679	721	776	860	917	1020	1148
<b>Surcharge: Valance Option</b>																
Double Valance	\$3	3	3	3	4	4	4	6	6	6	6	6	6	6	6	10

**NOTE:** Smallest width available 9" (22.9 cm) exact. Widths from 9" to 11<sup>5</sup>/<sub>16</sub>" (22.9 cm to 30.4 cm) are center tilt only.

**Multiple Blinds on One Headrail**  
Blinds less than or equal to 84" (213.4 cm): add surcharge: **\$44 two-on-one headrail**

**Multiple Blinds on One Headrail**  
Blind widths 84<sup>1</sup>/<sub>16</sub>" to 120" (213.6 cm to 304.8 cm): **no charge**

## Colors

### Crown

Alabaster . . . . .	3112	Misty Gray . . . . .	3050
Candelabra . . . . .	3051	Tan . . . . .	3093
Carob . . . . .	3005	White . . . . .	3205
Ivory . . . . .	3325		

## Price Charts

### Price Group B: 2" (5.1 cm) Horizontal Vinyl Blinds: Cachet, Fiber, Linen, Quantum, Rapture

Height up to inches (cm) ↓	Width up to inches (cm) →															
	18 (45.8)	24 (61.0)	31 (78.8)	36 (91.5)	42 (106.7)	48 (122.0)	54 (137.2)	60 (152.4)	66 (167.7)	72 (182.9)	78 (198.2)	84 (213.4)	90 (228.6)	96 (243.9)	108 (274.4)	120 (304.8)
42 (106.7)	\$164	139	173	194	230	241	253	304	330	342	364	393	431	460	517	586
48 (122.0)	172	150	190	215	246	263	281	337	361	383	401	431	479	511	567	641
54 (137.2)	184	162	200	233	269	282	304	371	393	414	437	470	519	554	618	696
60 (152.4)	201	175	218	246	287	304	330	397	424	449	467	504	555	592	672	756
66 (167.7)	213	185	235	263	304	333	355	426	456	486	509	548	600	640	719	816
72 (182.9)	224	196	248	282	330	355	378	461	486	519	544	586	643	685	773	870
78 (198.2)	234	212	269	302	355	378	408	486	519	548	579	623	688	734	812	919
84 (213.4)	247	224	282	319	378	402	426	516	548	586	613	660	733	779	866	977
90 (228.6)	262	235	302	333	393	424	449	548	579	623	649	700	769	820	921	1042
96 (243.9)	270	246	319	355	414	445	479	572	612	649	686	739	816	870	966	1089
102 (259.1)	282	259	330	371	431	470	500	601	643	688	723	778	863	920	1015	1148
108 (274.4)	296	269	342	386	461	494	526	636	684	713	758	816	904	964	1071	1205
<b>Surcharge: Valance Option</b>																
Double Valance	\$4	4	4	4	6	6	6	8	8	10	10	14	14	16	18	19

**NOTE:** Smallest width available 9" (22.9 cm) exact. Widths from 9" to 11<sup>5</sup>/<sub>16</sub>" (22.9 cm to 30.4 cm) are center tilt only.

**Multiple Blinds on One Headrail**  
Blinds less than or equal to 84" (213.4 cm): add surcharge: **\$44 two-on-one headrail**

**Multiple Blinds on One Headrail**  
Blind widths 84<sup>1</sup>/<sub>16</sub>" to 120" (213.6 cm to 304.8 cm): **no charge**

#### Cachet, Fiber, Linen, Quantum, Rapture with Cloth Tapes or NoHoles™

Height up to inches (cm) ↓	Width up to inches (cm) →															
	18 (45.8)	24 (61.0)	31 (78.8)	36 (91.5)	42 (106.7)	48 (122.0)	54 (137.2)	60 (152.4)	66 (167.7)	72 (182.9)	78 (198.2)	84 (213.4)	90 (228.6)	96 (243.9)	108 (274.4)	120 (304.8)
42 (106.7)	\$197	167	208	233	276	289	304	365	396	410	437	472	517	552	620	703
48 (122.0)	206	180	228	258	295	316	337	404	433	460	481	517	575	613	680	769
54 (137.2)	221	194	240	280	323	338	365	445	472	497	524	564	623	665	742	835
60 (152.4)	241	210	262	295	344	365	396	476	509	539	560	605	666	710	806	907
66 (167.7)	256	222	282	316	365	400	426	511	547	583	611	658	720	768	863	979
72 (182.9)	269	235	298	338	396	426	454	553	583	623	653	703	772	822	928	1044
78 (198.2)	281	254	323	362	426	454	490	583	623	658	695	748	826	881	974	1103
84 (213.4)	296	269	338	383	454	482	511	619	658	703	736	792	880	935	1039	1172
90 (228.6)	314	282	362	400	472	509	539	658	695	748	779	840	923	984	1105	1250
96 (243.9)	324	295	383	426	497	534	575	686	734	779	823	887	979	1044	1159	1307
102 (259.1)	338	311	396	445	517	564	600	721	772	826	868	934	1036	1104	1218	1378
108 (274.4)	355	323	410	463	553	593	631	763	821	856	910	979	1085	1157	1285	1446
<b>Surcharge: Valance Option</b>																
Double Valance	\$4	4	4	4	6	6	6	8	8	10	10	14	14	16	18	19

**NOTE:** Smallest width available 9" (22.9 cm) exact. Widths from 9" to 11<sup>5</sup>/<sub>16</sub>" (22.9 cm to 30.4 cm) are center tilt only.

**Multiple Blinds on One Headrail**  
Blinds less than or equal to 84" (213.4 cm): add surcharge: **\$44 two-on-one headrail**

**Multiple Blinds on One Headrail**  
Blind widths 84<sup>1</sup>/<sub>16</sub>" to 120" (213.6 cm to 304.8 cm): **no charge**

## Colors

Cachet	Fiber	Linen	Quantum
Ivory . . . . . 3146	Bloodroot . . . . . 3014	Café . . . . . 3022	Chevre . . . . . 3099
Satin White . . . . . 3275	Buttercream . . . . . 3122	Cream . . . . . 3023	Cream . . . . . 3715
Shimmer Sage . . . . . 3272	Cinnamon . . . . . 3127	Ebony . . . . . 3024	Model . . . . . 3068
Silver Dollar . . . . . 3270	Midnight . . . . . 3125	Granite . . . . . 3098	Shipwreck . . . . . 3100
Tan . . . . . 3280	Pebble . . . . . 3056	Lakebed . . . . . 3096	<b>Rapture</b>
White . . . . . 3274	Sandstone . . . . . 3120	Lichen . . . . . 3025	Bleach . . . . . 3034
	Shale . . . . . 3055	Snow . . . . . 3028	Heather . . . . . 3027
	White . . . . . 3124		Steel . . . . . 3039

## Price Charts

### Price Group C: 2" (5.1 cm) Horizontal Vinyl Blinds: Coronation, Georgetown, Homespun II, Kensington, Safari

Height up to inches (cm)	Width up to inches (cm) →															
	18 (45.8)	24 (61.0)	31 (78.8)	36 (91.5)	42 (106.7)	48 (122.0)	54 (137.2)	60 (152.4)	66 (167.7)	72 (182.9)	78 (198.2)	84 (213.4)	90 (228.6)	96 (243.9)	108 (274.4)	120 (304.8)
42 (106.7)	\$190	165	204	228	270	281	296	356	385	400	427	459	505	539	605	686
48 (122.0)	201	174	224	251	288	307	328	394	422	448	470	505	563	598	662	750
54 (137.2)	215	188	233	273	314	330	356	435	459	485	510	550	608	647	723	813
60 (152.4)	235	207	254	288	336	356	385	464	496	525	546	589	649	693	786	885
66 (167.7)	248	216	277	307	356	389	415	499	533	568	596	642	702	749	843	957
72 (182.9)	262	230	291	330	385	415	441	540	568	608	637	686	753	801	905	1019
78 (198.2)	276	247	314	353	415	441	476	568	608	642	677	729	806	858	949	1075
84 (213.4)	289	262	330	372	441	471	499	603	642	686	717	773	857	913	1013	1142
90 (228.6)	305	277	353	389	459	496	525	642	677	729	761	819	901	961	1077	1220
96 (243.9)	316	288	372	415	485	519	563	670	716	761	803	866	957	1019	1131	1273
102 (259.1)	330	303	385	435	505	550	584	703	753	806	846	911	1009	1076	1188	1343
108 (274.4)	347	314	400	453	540	579	616	743	799	834	886	957	1057	1129	1252	1409

#### Surcharge: Valance Option

Double Valance	\$8	8	8	8	10	10	14	18	18	18	20	20	20	21	21	23

**NOTE:** Smallest width available 9" (22.9 cm) exact. Widths from 9" to 11<sup>5</sup>/<sub>16</sub>" (22.9 cm to 30.4 cm) are center tilt only.

**Multiple Blinds on One Headrail**  
Blinds less than or equal to 84" (213.4 cm): add surcharge: **\$44 two-on-one headrail**

**Multiple Blinds on One Headrail**  
Blind widths 84<sup>1</sup>/<sub>16</sub>" to 120" (213.6 cm to 304.8 cm): **no charge**

#### Coronation, Georgetown, Homespun II, Kensington, Safari with Cloth Tapes or NoHoles™

Height up to inches (cm)	Width up to inches (cm) →															
	18 (45.8)	24 (61.0)	31 (78.8)	36 (91.5)	42 (106.7)	48 (122.0)	54 (137.2)	60 (152.4)	66 (167.7)	72 (182.9)	78 (198.2)	84 (213.4)	90 (228.6)	96 (243.9)	108 (274.4)	120 (304.8)
42 (106.7)	\$228	198	245	274	324	337	355	427	462	480	512	551	606	647	726	823
48 (122.0)	241	209	269	301	346	368	394	473	506	538	564	606	676	718	794	900
54 (137.2)	258	226	280	328	377	396	427	522	551	582	612	660	730	776	868	976
60 (152.4)	282	248	305	346	403	427	462	557	595	630	655	707	779	832	943	1062
66 (167.7)	298	259	332	368	427	467	498	599	640	682	715	770	842	899	1012	1148
72 (182.9)	314	276	349	396	462	498	529	648	682	730	764	823	904	961	1086	1223
78 (198.2)	331	296	377	424	498	529	571	682	730	770	812	875	967	1030	1139	1290
84 (213.4)	347	314	396	446	529	565	599	724	770	823	860	928	1028	1096	1216	1370
90 (228.6)	366	332	424	467	551	595	630	770	812	875	913	983	1081	1153	1292	1464
96 (243.9)	379	346	446	498	582	623	676	804	859	913	964	1039	1148	1223	1357	1528
102 (259.1)	396	364	462	522	606	660	701	844	904	967	1015	1093	1211	1291	1426	1612
108 (274.4)	416	377	480	544	648	695	739	892	959	1001	1063	1148	1268	1355	1502	1691

#### Surcharge: Valance Option

Double Valance	\$8	8	8	8	10	10	14	18	18	18	20	20	20	21	21	23

**NOTE:** Smallest width available 9" (22.9 cm) exact. Widths from 9" to 11<sup>5</sup>/<sub>16</sub>" (22.9 cm to 30.4 cm) are center tilt only.

**Multiple Blinds on One Headrail**  
Blinds less than or equal to 84" (213.4 cm): add surcharge: **\$44 two-on-one headrail**

**Multiple Blinds on One Headrail**  
Blind widths 84<sup>1</sup>/<sub>16</sub>" to 120" (213.6 cm to 304.8 cm): **no charge**

## Colors

Coronation	Georgetown	Kensington	Safari
Decree . . . . . 3045	Capitol Hill . . . . . 3072	Bellhop . . . . . 3041	Buffalo . . . . . 3105
Princess . . . . . 3046	Flax . . . . . 3071	Fresh Linens . . . . . 3042	Hearthstone . . . . . 3103
Proclamation . . . . . 3043	National Mall . . . . . 3078	Passport . . . . . 3037	Moccasin . . . . . 3106
Royal Coach . . . . . 3047	Smithsonian . . . . . 3073	Room Key . . . . . 3038	Quarry . . . . . 3102
Sceptre . . . . . 3049	Tawny . . . . . 3070	Titanium . . . . . 3040	Stormy Sage . . . . . 3104
	White . . . . . 3065		
	<b>Homespun II</b>		
	Beach . . . . . 3008		
	Butterscotch . . . . . 3007		
	Chocolate . . . . . 3011		
	Ivory . . . . . 3006		

## Options Pricing

### Valance Replacement Pricing

Width up to inches (cm)	18 (45.8)	24 (61.0)	31 (78.8)	36 (91.5)	42 (106.7)	48 (122.0)	54 (137.2)	60 (152.4)	66 (167.7)	72 (182.9)	78 (198.2)	84 (213.4)	90 (228.6)	96 (243.9)	108 (274.4)	120 (304.8)
<b>Price Group A: Crown</b>																
Standard	\$19	19	19	21	21	21	25	25	31	31	32	34	37	42	46	46
Double	19	19	21	21	24	24	31	31	34	34	35	37	38	49	49	52
<b>Price Group B: Cachet, Fiber, Linen, Quantum, Rapture</b>																
Standard	\$19	19	21	21	21	21	25	25	31	31	32	34	37	42	46	49
Double	19	19	21	21	24	24	31	31	34	34	35	38	38	49	52	55
<b>Price Group C: Coronation, Georgetown, Homespun II, Kensington, Safari</b>																
Standard	\$21	21	24	24	25	25	34	34	38	38	38	41	46	57	57	59
Double	24	24	25	31	31	34	41	41	46	46	49	52	57	64	70	73

### Options Pricing

Option	Surcharge
Cloth Tapes (1" and 1½" (2.5 cm and 3.8 cm))	See price charts for appropriate style choice
Decorative Cord Cleats	Solid brass cleat: \$10 Antique brass cleat: \$5
Corner or Bay Window	No charge
Cut-outs	\$67
Double Valance	See price charts for ordering with blind See above for replacement pricing
Hold Down Brackets	No charge
Motorized Tilt	See motorization price list for available sizes, motor options, and accessories
Multiple Blinds on One Headrail	Less than or equal to 84" (213.4 cm) wide: Two-on-one headrail: \$44; 84½" to 120" (213.6 cm to 304.8 cm) wide: no charge
NoHoles™	See price chart
Projection Brackets (2¾" and 4¾" (7.0 cm and 12.1 cm))	No charge (outside mount only)
Shims (⅜" (0.5 cm))	No charge
Sky Poles	3 feet to 6½ feet (0.9 m to 2.0 m): \$46 5 feet to 9½ feet (1.5 m to 2.9 m): \$70
Wood Cornices	See cornices and valances price list

# GRABER®

Grabber is a brand of Springs Window Fashions, the Best Experience Company 

Grabber and the Grabber logo are registered trademarks of Springs Window Fashions, LLC.

19-0522-08 (02/19) 18-10597|S18-10017