

2" (5.1 CM) HORIZONTAL VINYL BLINDS

Table of Contents

Features and Size Considerations

2" (5.1 cm) Horizontal Vinyl Blinds: Slat Styles and Information	2
Size Considerations	2
Depth Requirements for Inside Mount	2

Options

Summary	3
Control Options	4
Motorized Tilt Control	4
Multiple Blinds on One Headrail	5
Cloth Tapes	6
Cut-Out Blinds	6
NoHoles™ Option	6
Control Length Chart for Cords and Wands	6
Bay and Corner Windows	7
Valance Styles	8
How to Measure and Order Valances	8
How to Order Valance Returns	8

General Information

Slat Count Table	9
Ladder Count Table	9
2" (5.1 cm) Horizontal Vinyl Product Detail	10

Price Charts and Options Pricing

Price Group A: 2" (5.1 cm) Horizontal Vinyl Blinds: Crown	11
Price Group B: 2" (5.1 cm) Horizontal Vinyl Blinds: Cachet, Fiber, Linen, Quantum, Rapture	12
Price Group C: 2" (5.1 cm) Horizontal Vinyl Blinds: Coronation, Georgetown, Homespun II, Kensington, Safari	13
Valance Replacement Pricing	14
Options Pricing	14



Features and Size Considerations

- SureClose® headrail 1½" x 2¼" (4.2 cm x 5.8 cm) with premium light-blocking features
- Non-lead vinyl slats offer superior privacy and room darkening
- Neutral street side appearance
- White vinyl bottomrail
- Color coordinated components
- All styles coordinate with Graber® Vinyl Vertical Blinds
- Cord tilt standard, wand tilt optional
- 2" (5.1 cm) single slat valance standard (other options available)
- Decorative cloth tapes or NoHoles™ available
- Limited lifetime warranty on headrail and components; three year warranty on slats

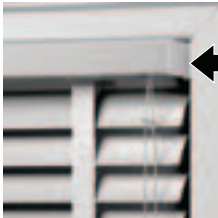

2" (5.1 cm) Horizontal Vinyl Blinds: Slat Styles and Information

Collection Name	Price Chart	Coordinates with Vertical Blinds	Neutral to Street Side	Light Control	Flame Retardant NFPA 701
Cachet	B	•	•	Room darkening	Yes
Coronation	C	•	•	Room darkening	Yes
Crown	A	•	•	Room darkening	Yes
Fiber	B	•	•	Room darkening	Yes
Georgetown	C	•	•	Room darkening	Yes
Homespun II	C	•	•	Room darkening	Yes
Kensington	C	•	•	Room darkening	Yes
Linen	B	•	•	Room darkening	Yes
Quantum	B	•	•	Room darkening	Yes
Rapture	B	•	•	Room darkening	Yes
Safari	C	•	•	Room darkening	Yes

Size Considerations

Minimum Blind Width	9" (22.9 cm) outside mount 9½" (24.2 cm) inside mount
Minimum Blind Width (exceptions)	9" to 11¼" (22.9 cm to 30.4 cm) are center tilt only 12" to 16" (30.5 cm to 40.7 cm) standard or reverse standard controls only 16⅞" (40.8 cm) minimum for same side controls
Maximum Single Blind Width	84" (213.4 cm)
Maximum Width (multiple blinds on one headrail)	120" (304.8 cm)
Minimum Blind Height	10" (25.4 cm)
Maximum Blind Height	108" (274.4 cm)

Depth Requirements for Inside Mount

Headrail Dimensions inches (cm)	 <p>Partially recessed headrail in window casing/molding</p>	 <p>Fully recessed headrail in window casing/molding</p>
Headrail Dimensions inches (cm)	Minimum Depth Mount inches (cm)	Flush with Casing inches (cm)
1½ x 2¼ (4.2 x 5.8)	¾ (2.0)	Without valance: 2⅝ (6.7) With standard valance: 3⅞ (8.5) With double valance: 4 (10.2)

Options

Summary

The following is a list of options for 2" (5.1 cm) horizontal vinyl blinds. All options are available in all styles and colors. See detailed descriptions on the following pages.

Control Type Options:

(see price charts for pricing and/or surcharges)

- Cord tilt—no charge
- Ring tilt and ring lift—no charge
- Motorized tilt—surcharge
- Wand tilt—no charge

Blind Options—No Charge

- Bay or corner window
- Standard clear cord cleats
- Controls:
 - Standard control location (tilt left, lift right)
 - Same side control location (tilt right, lift right or tilt left, lift left)
 - Reverse control location (tilt right, lift left)
- Hold down brackets
- Projection brackets
 - 2¾" (7.0 cm)
 - 4¾" (12.1 cm)
- Shims
- Special control length

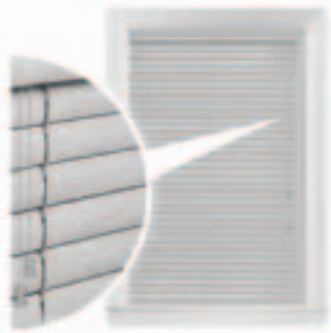
Blind Options—Surcharge

(see price charts for pricing and/or surcharges)

- Cloth tapes:
 - 1" (2.6 cm)
 - 1½" (3.9 cm)
- Cut-outs
- Double valance
- Multiple blinds on one headrail less than 84" (213.4 cm)
- Sky pole
 - 3 feet to 6½ feet (0.9 m to 2.0 m)
 - 5 feet to 9½ feet (1.5 m to 2.9 m)
- Wood cornice (see cornice and valance price list)
- Decorative cord cleats
- NoHoles™

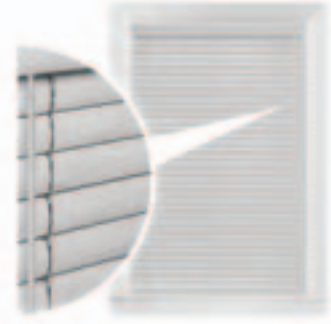
Options

Control Options



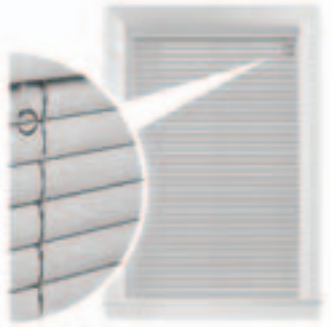
Cord Tilt

- No charge
- Standard



Wand Tilt

- No charge
- Optional



Ring Tilt

- No charge
- Optional
- Sky pole available for a surcharge for operation of the ring tilt



Sky Pole

Motorized Tilt Control



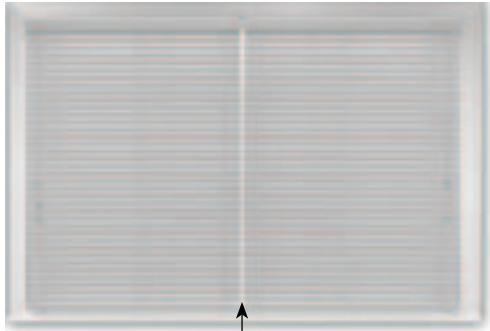
Refer to motorization price list for additional options, sizing, and pricing

- Motorization tilt only; raising or lowering the blind is manual with cord lift
- Blinds can be operated from virtually anywhere in the home
- Provides easy operation of hard to reach or larger window coverings
- Efficiently manages energy (heat gain and loss)
- Tilt slats in groups of multiple window treatments simultaneously or individually
- Easily integrated with home automation systems
- Low voltage motorization requires no costly electrical hard-wiring
- Powered with batteries, solar power kit, or plug transformer
- Motor located on the left side within the headrail; cord lift is on the right side
- Multiple blinds on one headrail available; one motor and power source will operate all panels
- Not available with special shapes
- Not available with hold down brackets

Minimum Width	19" (48.3 cm)
Maximum Width	84" (213.4 cm)
Maximum Height	108" (274.4 cm)
Maximum Size	7,200 square inches (4.6 m ²)

Options

Multiple Blinds on One Headrail

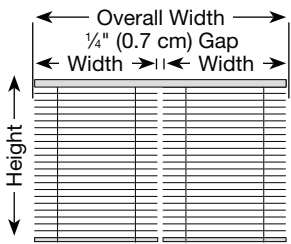


1/4" (0.7 cm) Gap

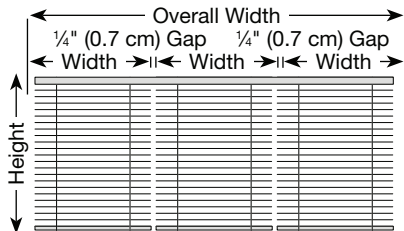
- **Surcharge:** blinds less than or equal to 84" (213.4 cm)
 - Two blinds on one headrail; three blinds on one headrail
 - See price charts and options pricing
- **No charge:** blinds 84¹/₁₆" to 120" (213.6 cm to 304.8 cm)
- Two or more blinds can be installed on a single headrail to provide a practical treatment for larger windows or sliding patio doors
- Due to weight limitations, blinds over 84" (213.4 cm) must be manufactured as two or three blinds on one headrail.

Multiple Blinds	Maximum Overall Size for Multiple Blinds inches (cm)	Standard Control Locations	Gap inches (cm)
Two on One Headrail	120 x 108 (304.8 x 274.3)	Left panel (tilt and lift left) Right panel (tilt and lift right)	1/4 (0.7) 1/2 (1.3) on NoHoles™
Three on One Headrail	120 x 108 (304.8 x 274.3)	Left panel (tilt and lift left) Right panel (tilt and lift right) Center panel (tilt left/lift right)	1/4 (0.7) 1/2 (1.3) on NoHoles

NOTE: Optional control positions may be requested.



Two Blinds on One Headrail



Three Blinds on One Headrail

Measuring:

1. Measure overall width of the area to be covered. If space permits, an overlap of 1 1/2" (3.9 cm) per side is recommended for outside mounts.
2. Measure the width of the area each blind is to cover. Measure and specify the left blind first, continuing to the right. Allow a minimum of 1/4" (0.7 cm) between blinds for operating clearance.
3. Total width of all blinds, plus clearance(s) must equal overall width.
4. Measure height as follows:
 - a. For windows, use standard inside or outside measuring procedures.
 - b. For patio doors, measure height within 3/4" (2.0 cm) of floor, either from ceiling or a point at least 6 1/2" (16.6 cm) above the door frame. Check slat count table if blind is to completely clear the doorway.

Ordering:

1. Indicate whether two or three blinds are to be mounted on one headrail.
2. Specify total width of headrail.
3. Indicate each panel width separately, specify left blind first, continuing to the right.
4. Specify control positions, if other than standard.
5. Add appropriate surcharge (if less than 84" (213.4 cm)).

Options

Cloth Tapes



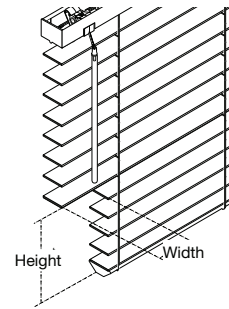
- For surcharge, see price charts
- Not available with NoHoles
- Colors available:

1" (2.6 cm) Solid Tapes		1½" (3.9 cm) Solid Tapes	
Beige	1011	Beige	2011
Black	1033	Black	2033
Cocoa	1297	Chocolate	2353
Duck White	1136	Cocoa	2297
Toffee	1296	Dark Grey	2857
		Duck White	2136
		Light Beige	2137
		Light Grey	2861
		Maroon	2360
		Moss	2500
		Navy	2369
		Pecan	2403
		Taupe	2659
		Toffee	2296
		Wheat	2710
		White	2005
		White Smoke	2617

Cut-Out Blinds



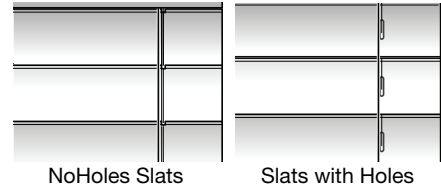
- For surcharge, see options pricing
- Bottom corner and side cut-outs only
- Maximum cut-out is 1" (2.6 cm) before route hole or NoHoles notch (corner and side cut-outs only)
- Cut-outs are created with slats tilted in the closed position for maximum clearance
- The cut-out height may be larger than requested due to slat placement
- Measure height from the bottom of the blind up to the desired location



NoHoles™ Option



- For surcharge, see price charts
- Provides maximum privacy and light control
- The design of the NoHoles option eliminates route holes, providing additional privacy and the best available light control
- Cleaning is simplified by sliding the NoHoles slats out and wiping clean, or keep the slats in place and vacuuming using a soft brush attachment
- Not available on blinds with cloth tape option



Control Length Chart for Cords and Wands

Finished Blind Height inches (cm)	Cord Length inches (cm)	Wand Length inches (cm)
Up to 32 (81.3)	14 (35.6)	12 (30.5)
32 ⁷ / ₁₆ to 50 (81.5 to 127.0)	22 (55.9)	20 (50.8)
50 ⁷ / ₁₆ to 70 (127.2 to 177.8)	32 (81.3)	30 (76.2)
70 ⁷ / ₁₆ to 80 (178.0 to 203.2)	42 (106.7)	40 (101.6)
80 ⁷ / ₁₆ to 87 (203.4 to 221.0)	52 (132.1)	50 (127.0)
87 ⁷ / ₁₆ to 99 (221.2 to 251.5)	62 (157.5)	60 (152.4)
99 ⁷ / ₁₆ to 108 (251.7 to 274.4)	74 (188.0)	72 (182.9)

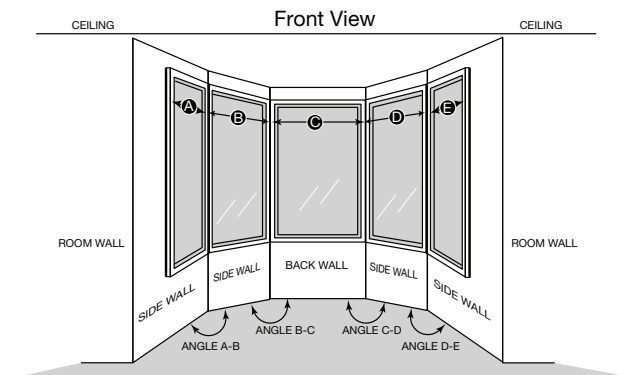
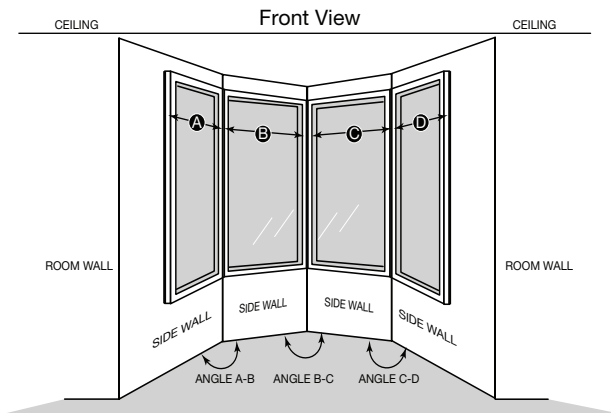
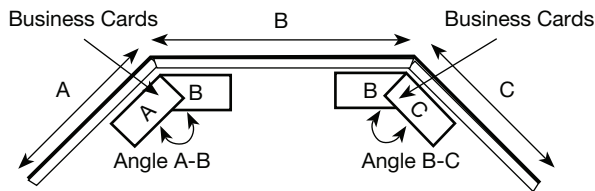
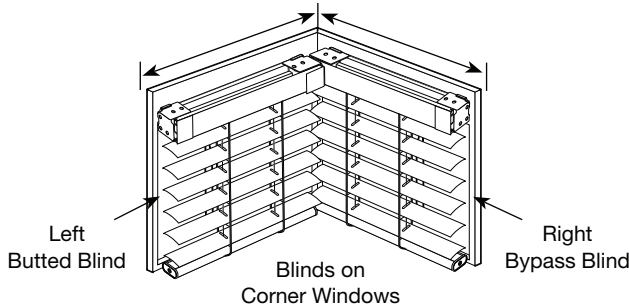
Options

Bay and Corner Windows

- Made as individual blinds to fit in bay or corner windows
- Each section will have its own control, we recommend opposite corners
- Indicate each blind with “bypass” or “butt”; bypass means the blind is mounted into the corner; butt means the blind is butted up to the other blind

- Must provide blind location (left and right blind)
- Slat alignment cannot be guaranteed on side by side blinds
- Manufacturer will take appropriate deductions for proper fit
- No additional charge
- Cornices are not available

NOTE: If you do not want manufacturer to take deductions DO NOT order as bay or corner.



Measuring Information

Corner Window

Measure:

Width of each window from corner to the point you would like to cover.

Three-Sided Bay Window

Measure:

A and C: Width of side windows from the corners to the point you would like the blind to cover.

B: Width of the center window from corner to corner.

Angle A-B: Angle between windows (A) and (B).

Angle B-C: Angle between windows (B) and (C).

Four-Sided Bay Window

Measure:

A and D: Width of side windows from the corners to the point you would like the blind to cover.

B and C: Width of each window from corner to corner.

Angle A-B: Angle between windows (A) and (B).

Angle B-C: Angle between windows (B) and (C).

Angle C-D: Angle between windows (C) and (D).

Five-Sided Bay Window

Measure:

A and E: Width of side windows from the corners to the point you would like the blind to cover.

B, C and D: Width of each center window from corner to corner.

Angle A-B: Angle between windows (A) and (B).

Angle B-C: Angle between windows (B) and (C).

Angle C-D: Angle between windows (C) and (D).

Angle D-E: Angle between windows (D) and (E).

NOTE: Measure bay angle using protractor or angle finder, or use two business cards in bay corner as illustrated above trace angle onto paper and fax to customer service.

Options

Valance Styles



Standard Valance

Double Valance

Standard Valance

- No charge
- 2" (5.1 cm) single slat valance is standard and provides a finished look

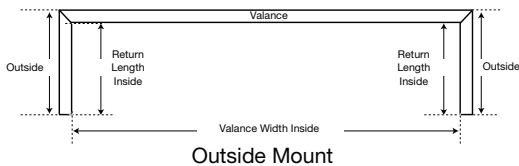
Double Valance

- Surcharge option
- Provides better headrail coverage for a more upscale look
- Height of double valance is 3" (7.7 cm)

Valance Type	Tilt Type	Return Length inches (cm)	Full Recess Depth inches (cm)	Inside Mount inches (cm)	Outside Mount inches (cm)
Standard	All	3 ⁵ / ₁₆ (8.5)	3 ⁵ / ₁₆ (8.5)	120 (304.8) FBW	120 (304.8) FBW
Double	All	3 ⁵ / ₁₆ (10.1)	4 (10.2)	120 (304.8) FBW	120 (304.8) FBW

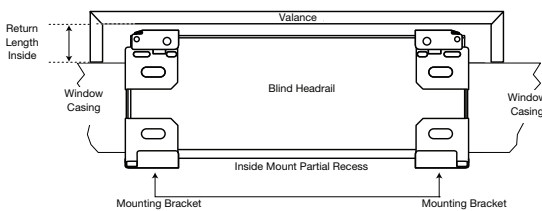
How to Measure and Order Valances

Top View



Outside Mount

Top View



Inside Mount

The appropriate valance (inside or outside mount) will be supplied with your blind order. For a more custom look, valance and returns may be special ordered.

NOTE: Valances with returns are measured and cut from the **INSIDE (BACKSIDE)** of the valance to ensure the most accurate fit when installed over the headrail or window frame.

Outside Mount Valance

It is typically required that the valance is entered into the system and manufactured **WITH** returns. However, outside mount valances are available **WITHOUT** returns if needed.

NOTE: FAXED orders for outside mount valances will **AUTOMATICALLY** be entered with returns unless otherwise specified. Certain accounts that enter orders electronically **WILL BE REQUIRED TO SELECT WITH OR WITHOUT RETURNS** in their system during entry.

Inside Mount Valance

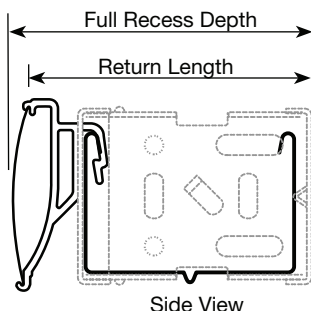
It is typically required for the valance to be entered in the system and manufactured **WITHOUT** returns.

NOTE: Valance without returns have ends that are cut straight and look best when the blind and valance are fully recessed into the window casing. However, inside mount valances are available **WITH** returns for blinds that are unable to be fully recessed into the window casing.

Additional ordering information:

- If projection brackets are requested at the time of order for a valance with returns, longer returns will be automatically sent
- Please state at the time of order if the valance and return measurements are for the **EXACT** size required so that no additions or deductions are made

How to Order Valance Returns



Side View

Determining a special return length for **INSIDE MOUNT** blinds not fully recessed:

1. Using the chart above, locate the standard return length by selecting your valance type.
2. Measure the recessed space (depth) of your window casing.
3. Subtract the recessed space measurement from the standard return length.
4. The difference will be the special return length you will need to order for your **INSIDE MOUNT** valances.

NOTE: Minimum return length is 1" (2.6 cm).

1. Full recess is from front of valance to wall.
2. Return length is from back of the valance corner to wall.

General Information

Slat Count Table

Finished Blind Height	Number of Slats	Finished Stack Height inches (cm)
10	6	3 $\frac{3}{8}$ (9.6)
11	6	
12	7	
13	7	
14	8	
15	8	4 $\frac{1}{8}$ (10.4)
16	9	
17	10	
18	10	
19	11	
20	11	4 $\frac{3}{8}$ (11.2)
21	12	
22	12	
23	13	
24	14	
25	14	4 $\frac{11}{16}$ (12.0)
26	15	
27	15	
28	16	
29	16	
30	17	5 (12.7)
31	18	
32	18	
33	19	
34	19	
35	20	5 $\frac{1}{2}$ (13.4)
36	21	
37	21	
38	22	
39	22	
40	23	5 $\frac{5}{8}$ (14.2)
41	23	
42	24	

Finished Blind Height	Number of Slats	Finished Stack Height inches (cm)
43	25	
44	25	
45	26	5 $\frac{1}{2}$ (15)
46	26	
47	27	
48	27	
49	28	
50	29	6 $\frac{1}{8}$ (15.8)
51	29	
52	30	
53	30	
54	31	
55	31	6 $\frac{1}{2}$ (16.6)
56	32	
57	33	
58	33	
59	34	
60	34	6 $\frac{3}{4}$ (17.2)
61	35	
62	36	
63	36	
64	37	
65	37	7 $\frac{1}{16}$ (18)
66	38	
67	38	
68	39	
69	40	
70	40	7 $\frac{1}{8}$ (18.8)
71	41	
72	41	
73	42	
74	42	
75	43	7 $\frac{11}{16}$ (19.6)

Finished Blind Height	Number of Slats	Finished Stack Height inches (cm)
76	44	
77	44	
78	45	
79	45	
80	46	8 (20.4)
81	46	
82	47	
83	48	
84	48	
85	49	8 $\frac{1}{4}$ (21.0)
86	49	
87	50	
88	51	
89	51	
90	52	8 $\frac{5}{8}$ (21.8)
91	52	
92	53	
93	53	
94	54	
95	55	8 $\frac{3}{8}$ (22.6)
96	55	
97	56	
98	56	
99	57	
100	57	9 $\frac{1}{16}$ (23.4)
101	58	
102	59	
103	59	
104	60	
105	60	9 $\frac{1}{2}$ (24.2)
106	61	
107	62	
108	62	

NOTE: Finished heights include headrail and bottomrail.

Ladder Count Table

Standard or Reversed Controls

Finished Blind Width inches (cm)	Number of Ladders	Number of Lifts	Number of NoHoles™ Lifts
9 to 26 (22.9 to 66.1)	2	2	4
26 $\frac{1}{16}$ to 44 (66.2 to 111.8)	3	3	6
44 $\frac{1}{16}$ to 62 (112.0 to 157.5)	4	4	8
62 $\frac{1}{16}$ to 84 (157.7 to 214.4)	5	5	10

Same Side Controls

Finished Blind Width inches (cm)	Number of Ladders	Number of Lifts	Number of NoHoles Lifts
16 $\frac{1}{16}$ to 30 (40.8 to 76.2)	2	2	4
30 $\frac{1}{16}$ to 48 (76.4 to 122.0)	3	3	6
48 $\frac{1}{16}$ to 66 (122.1 to 167.7)	4	4	8
66 $\frac{1}{16}$ to 84 (167.8 to 213.4)	5	5	10

Motorized Tilt

Finished Blind Width inches (cm)	Number of Ladders	Number of Lifts
19 to 30 (48.3 to 76.2)	2	2
30 $\frac{1}{16}$ to 48 (76.4 to 122.0)	3	3
48 $\frac{1}{16}$ to 66 (122.1 to 167.7)	4	4
66 $\frac{1}{16}$ to 84 (167.8 to 213.4)	5	5

NOTE: On all inside mount blinds, take deduction BEFORE determining ladder and lift quantity. Cloth ladder quantity is the same as number of ladders listed above.

Inside Mount:

Order width minus $\frac{1}{2}$ " (1.3 cm)

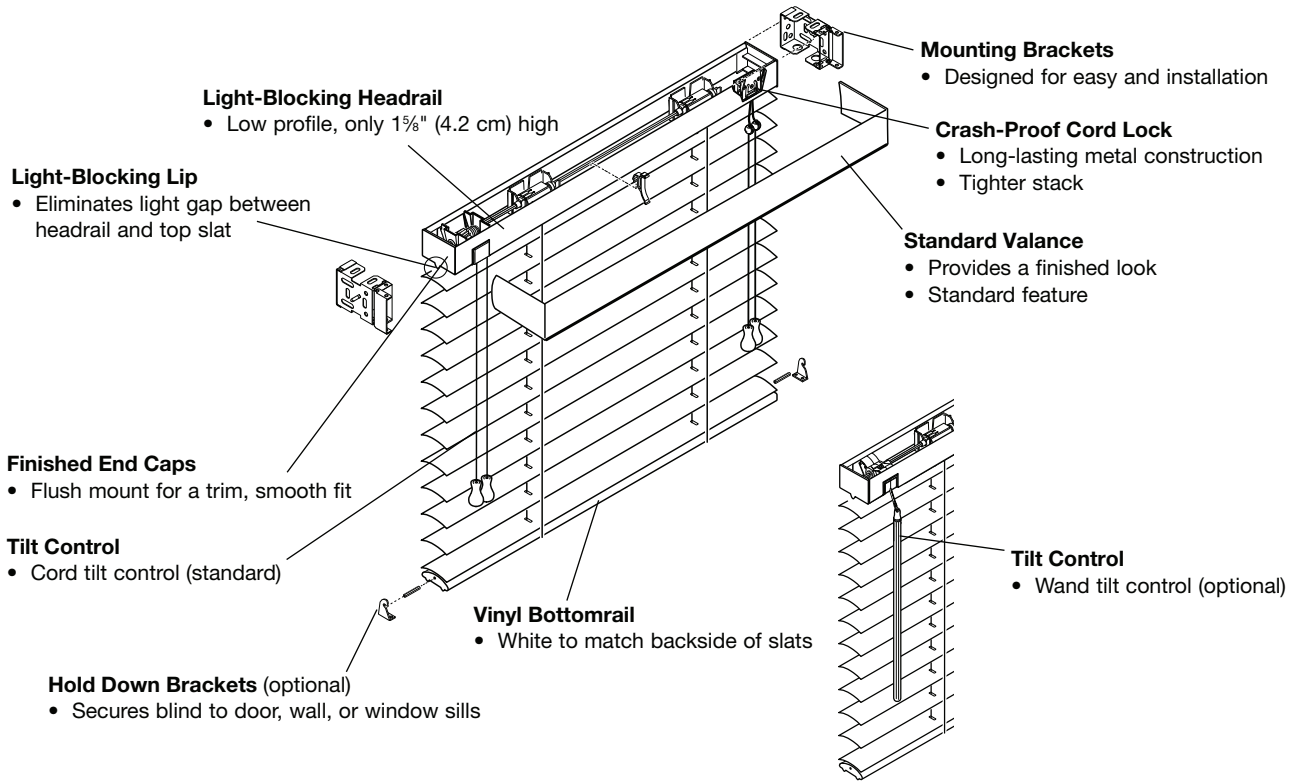
EXAMPLE:

30" (76.2 cm) width inside mount blind minus $\frac{1}{2}$ " (1.3 cm) deduction equals 29 $\frac{1}{2}$ " (75.0 cm) finished blind width

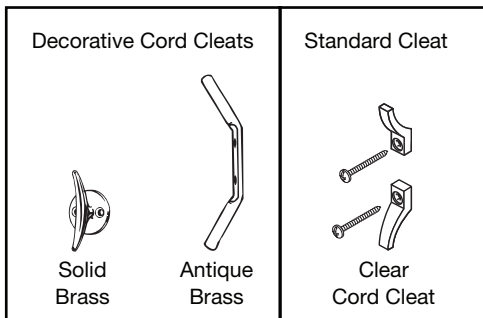
Outside Mount: No deduction

General Information

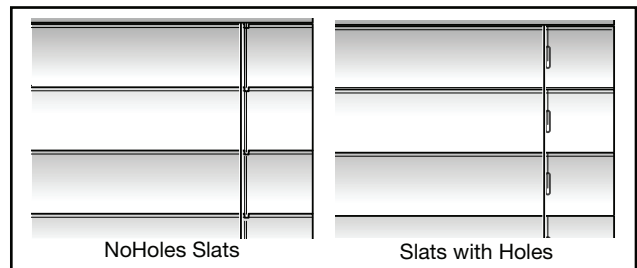
2" (5.1 cm) Horizontal Vinyl Product Detail



Cord Management Options



NoHoles™



Price Charts

Price Group A: 2" (5.1 cm) Horizontal Vinyl Blinds: Crown

Height up to inches (cm) ↓	Width up to inches (cm) →															
	18 (45.8)	24 (61.0)	31 (78.8)	36 (91.5)	42 (106.7)	48 (122.0)	54 (137.2)	60 (152.4)	66 (167.7)	72 (182.9)	78 (198.2)	84 (213.4)	90 (228.6)	96 (243.9)	108 (274.4)	120 (304.8)
42 (106.7)	\$114	98	121	136	161	168	177	213	231	240	255	274	302	322	362	410
48 (122.0)	120	104	134	151	172	184	197	236	253	268	281	302	336	358	397	449
54 (137.2)	129	112	140	163	188	198	213	260	274	290	305	328	363	388	432	487
60 (152.4)	141	123	152	172	201	213	231	277	297	314	326	352	389	414	469	529
66 (167.7)	149	130	165	184	213	233	249	298	319	340	356	384	420	448	504	571
72 (182.9)	156	138	174	198	231	249	264	323	340	363	380	410	450	479	541	609
78 (198.2)	164	148	188	211	249	264	285	340	363	384	405	436	481	513	568	643
84 (213.4)	173	156	198	222	264	282	298	361	384	410	429	462	512	546	606	683
90 (228.6)	183	165	211	233	274	297	314	384	405	436	455	490	539	574	645	729
96 (243.9)	189	172	222	249	290	311	336	401	428	455	480	517	571	609	676	762
102 (259.1)	198	182	231	260	302	328	350	421	450	481	506	545	604	644	710	803
108 (274.4)	207	188	240	270	323	346	368	445	478	499	530	571	632	674	749	843

Surcharge: Valance Option

Double Valance	\$3	3	3	3	4	4	4	6	6	6	6	6	6	6	6	10

NOTE: Smallest width available 9" (22.9 cm) exact. Widths from 9" to 11⁵/₁₆" (22.9 cm to 30.4 cm) are center tilt only.

Multiple Blinds on One Headrail
Blinds less than or equal to 84" (213.4 cm): add surcharge: **\$47 two on one headrail**
\$65 three on one headrail

Multiple Blinds on One Headrail
Blind widths 84¹/₁₆" to 120" (213.6 cm to 304.8 cm): **no charge**

Crown with Cloth Tapes or NoHoles™

Height up to inches (cm) ↓	Width up to inches (cm) →															
	18 (45.8)	24 (61.0)	31 (78.8)	36 (91.5)	42 (106.7)	48 (122.0)	54 (137.2)	60 (152.4)	66 (167.7)	72 (182.9)	78 (198.2)	84 (213.4)	90 (228.6)	96 (243.9)	108 (274.4)	120 (304.8)
42 (106.7)	\$131	113	139	156	185	193	204	245	266	276	293	315	347	370	416	472
48 (122.0)	138	120	154	174	198	212	227	271	291	308	323	347	386	412	457	516
54 (137.2)	148	129	161	187	216	228	245	299	315	334	351	377	417	446	497	560
60 (152.4)	162	141	175	198	231	245	266	319	342	361	375	405	447	476	539	608
66 (167.7)	171	150	190	212	245	268	286	343	367	391	409	442	483	515	580	657
72 (182.9)	179	159	200	228	266	286	304	371	391	417	437	472	518	551	622	700
78 (198.2)	189	170	216	243	286	304	328	391	417	442	466	501	553	590	653	739
84 (213.4)	199	179	228	255	304	324	343	415	442	472	493	531	589	628	697	785
90 (228.6)	210	190	243	268	315	342	361	442	466	501	523	564	620	660	742	838
96 (243.9)	217	198	255	286	334	358	386	461	492	523	552	595	657	700	777	876
102 (259.1)	228	209	266	299	347	377	403	484	518	553	582	627	695	741	817	923
108 (274.4)	238	216	276	311	371	398	423	512	550	574	610	657	727	775	861	969

Surcharge: Valance Option

Double Valance	\$3	3	3	3	4	4	4	6	6	6	6	6	6	6	6	10

NOTE: Smallest width available 9" (22.9 cm) exact. Widths from 9" to 11⁵/₁₆" (22.9 cm to 30.4 cm) are center tilt only.

Multiple Blinds on One Headrail
Blinds less than or equal to 84" (213.4 cm): add surcharge: **\$47 two on one headrail**
\$65 three on one headrail

Multiple Blinds on One Headrail
Blind widths 84¹/₁₆" to 120" (213.6 cm to 304.8 cm): **no charge**

Colors

Crown

Alabaster 3112	Misty Gray 3050
Candelabra 3051	Tan 3093
Carob 3005	White 3205
Ivory 3325	

Price Charts

Price Group B: 2" (5.1 cm) Horizontal Vinyl Blinds: Cachet, Fiber, Linen, Quantum, Rapture

Height up to inches (cm)	Width up to inches (cm) →															
	18 (45.8)	24 (61.0)	31 (78.8)	36 (91.5)	42 (106.7)	48 (122.0)	54 (137.2)	60 (152.4)	66 (167.7)	72 (182.9)	78 (198.2)	84 (213.4)	90 (228.6)	96 (243.9)	108 (274.4)	120 (304.8)
42 (106.7)	\$144	123	153	171	203	212	223	268	291	302	321	346	380	406	456	517
48 (122.0)	152	132	168	190	217	232	248	297	318	338	354	380	423	451	500	565
54 (137.2)	162	142	176	206	237	249	268	327	346	365	385	414	458	489	545	613
60 (152.4)	177	155	192	217	253	268	291	350	374	396	411	444	490	522	592	667
66 (167.7)	188	163	208	232	268	293	313	375	402	428	449	483	529	564	634	720
72 (182.9)	197	173	219	249	291	313	333	407	428	458	479	517	567	604	681	767
78 (198.2)	207	187	237	266	313	333	359	428	458	483	510	549	607	647	716	810
84 (213.4)	218	197	249	281	333	355	375	455	483	517	541	582	646	687	763	861
90 (228.6)	231	208	266	293	346	374	396	483	510	549	573	617	678	723	812	919
96 (243.9)	238	217	281	313	365	392	423	505	540	573	605	652	720	767	852	960
102 (259.1)	249	228	291	327	380	414	441	530	567	607	638	686	761	811	895	1012
108 (274.4)	261	237	302	341	407	436	464	560	603	628	668	720	797	850	944	1062

Surcharge: Valance Option																
Double Valance	\$4	4	4	4	6	6	6	8	8	10	10	14	14	16	18	19

NOTE: Smallest width available 9" (22.9 cm) exact. Widths from 9" to 11⁵/₁₆" (22.9 cm to 30.4 cm) are center tilt only.

Multiple Blinds on One Headrail
Blinds less than or equal to 84" (213.4 cm): add surcharge:
\$47 two on one headrail
\$65 three on one headrail

Multiple Blinds on One Headrail
Blind widths 84¹/₁₆" to 120" (213.6 cm to 304.8 cm): **no charge**

Cachet, Fiber, Linen, Quantum, Rapture with Cloth Tapes or NoHoles™

Height up to inches (cm)	Width up to inches (cm) →															
	18 (45.8)	24 (61.0)	31 (78.8)	36 (91.5)	42 (106.7)	48 (122.0)	54 (137.2)	60 (152.4)	66 (167.7)	72 (182.9)	78 (198.2)	84 (213.4)	90 (228.6)	96 (243.9)	108 (274.4)	120 (304.8)
42 (106.7)	\$166	141	176	197	233	244	256	308	335	347	369	398	437	467	524	595
48 (122.0)	175	152	193	219	250	267	285	342	366	389	407	437	486	519	575	650
54 (137.2)	186	163	202	237	273	286	308	376	398	420	443	476	527	562	627	705
60 (152.4)	204	178	221	250	291	308	335	403	430	455	473	511	564	600	681	767
66 (167.7)	216	187	239	267	308	337	360	431	462	492	516	555	608	649	729	828
72 (182.9)	227	199	252	286	335	360	383	468	492	527	551	595	652	695	783	882
78 (198.2)	238	215	273	306	360	383	413	492	527	555	587	631	698	744	823	932
84 (213.4)	251	227	286	323	383	408	431	523	555	595	622	669	743	790	877	990
90 (228.6)	266	239	306	337	398	430	455	555	587	631	659	710	780	831	934	1057
96 (243.9)	274	250	323	360	420	451	486	581	621	659	696	750	828	882	980	1104
102 (259.1)	286	262	335	376	437	476	507	610	652	698	734	789	875	933	1029	1164
108 (274.4)	300	273	347	392	468	501	534	644	693	722	768	828	917	978	1086	1221

Surcharge: Valance Option																
Double Valance	\$4	4	4	4	6	6	6	8	8	10	10	14	14	16	18	19

NOTE: Smallest width available 9" (22.9 cm) exact. Widths from 9" to 11⁵/₁₆" (22.9 cm to 30.4 cm) are center tilt only.

Multiple Blinds on One Headrail
Blinds less than or equal to 84" (213.4 cm): add surcharge:
\$47 two on one headrail
\$65 three on one headrail

Multiple Blinds on One Headrail
Blind widths 84¹/₁₆" to 120" (213.6 cm to 304.8 cm): **no charge**

Colors

Cachet	Fiber	Linen	Quantum
Ivory3146	Bloodroot3014	Café3022	Chevre3099
Satin White3275	Buttercream3122	Cream3023	Cream3715
Shimmer Sage3272	Cinnamon3127	Ebony3024	Model3068
Silver Dollar3270	Midnight3125	Granite3098	Shipwreck3100
Tan3280	Pebble3056	Lakebed3096	Rapture
White3274	Sandstone3120	Lichen3025	Bleach3034
	Shale3055	Snow3028	Heather3027
	White3124		Steel3039

Price Charts

Price Group C: 2" (5.1 cm) Horizontal Vinyl Blinds: Coronation, Georgetown, Homespun II, Kensington, Safari

Height up to inches (cm)	Width up to inches (cm) →															
	18 (45.8)	24 (61.0)	31 (78.8)	36 (91.5)	42 (106.7)	48 (122.0)	54 (137.2)	60 (152.4)	66 (167.7)	72 (182.9)	78 (198.2)	84 (213.4)	90 (228.6)	96 (243.9)	108 (274.4)	120 (304.8)
42 (106.7)	\$168	145	180	201	238	248	261	314	340	353	376	405	445	475	533	605
48 (122.0)	177	154	197	222	254	271	290	347	372	395	414	445	496	527	584	661
54 (137.2)	190	166	206	241	276	291	314	384	405	427	450	485	536	571	638	717
60 (152.4)	208	182	224	254	296	314	340	409	438	463	481	519	573	611	693	780
66 (167.7)	219	191	244	271	314	343	366	440	470	501	525	566	619	660	743	843
72 (182.9)	231	203	257	291	340	366	389	476	501	536	561	605	664	707	798	898
78 (198.2)	243	218	276	311	366	389	420	501	536	566	597	642	710	757	837	948
84 (213.4)	255	231	291	328	389	415	440	532	566	605	632	681	756	805	893	1007
90 (228.6)	269	244	311	343	405	438	463	566	597	642	671	722	794	847	950	1075
96 (243.9)	278	254	328	366	427	458	496	591	631	671	708	763	843	898	997	1123
102 (259.1)	291	267	340	384	445	485	515	620	664	710	746	803	890	949	1047	1184
108 (274.4)	306	276	353	399	476	510	543	655	705	735	781	843	932	995	1104	1242

Surcharge: Valance Option

Double Valance	\$8	8	8	8	10	10	14	18	18	18	20	20	20	21	21	23

NOTE: Smallest width available 9" (22.9 cm) exact. Widths from 9" to 11⁵/₁₆" (22.9 cm to 30.4 cm) are center tilt only.

Multiple Blinds on One Headrail
Blinds less than or equal to 84" (213.4 cm): add surcharge:
\$47 two on one headrail
\$65 three on one headrail

Multiple Blinds on One Headrail
Blind widths 84¹/₁₆" to 120" (213.6 cm to 304.8 cm): **no charge**

Coronation, Georgetown, Homespun II, Kensington, Safari with Cloth Tapes or NoHoles™

Height up to inches (cm)	Width up to inches (cm) →															
	18 (45.8)	24 (61.0)	31 (78.8)	36 (91.5)	42 (106.7)	48 (122.0)	54 (137.2)	60 (152.4)	66 (167.7)	72 (182.9)	78 (198.2)	84 (213.4)	90 (228.6)	96 (243.9)	108 (274.4)	120 (304.8)
42 (106.7)	\$193	167	207	231	274	285	300	361	391	406	432	466	512	546	613	696
48 (122.0)	204	177	227	255	292	312	334	399	428	454	476	512	570	606	672	760
54 (137.2)	219	191	237	277	317	335	361	442	466	491	518	558	616	657	734	825
60 (152.4)	239	209	258	292	340	361	391	470	504	532	553	597	659	703	797	897
66 (167.7)	252	220	281	312	361	394	421	506	541	576	604	651	712	759	854	969
72 (182.9)	266	233	296	335	391	421	447	547	576	616	645	696	764	813	918	1033
78 (198.2)	279	251	317	358	421	447	483	576	616	651	687	738	817	871	963	1090
84 (213.4)	293	266	335	377	447	477	506	612	651	696	727	783	869	926	1027	1158
90 (228.6)	309	281	358	394	466	504	532	651	687	738	772	830	913	974	1093	1236
96 (243.9)	320	292	377	421	491	527	570	680	726	772	814	877	969	1033	1147	1291
102 (259.1)	335	307	391	442	512	558	592	713	764	817	858	923	1024	1091	1204	1362
108 (274.4)	352	317	406	459	547	587	624	753	811	845	898	969	1072	1144	1270	1428

Surcharge: Valance Option

Double Valance	\$8	8	8	8	10	10	14	18	18	18	20	20	20	21	21	23

NOTE: Smallest width available 9" (22.9 cm) exact. Widths from 9" to 11⁵/₁₆" (22.9 cm to 30.4 cm) are center tilt only.

Multiple Blinds on One Headrail
Blinds less than or equal to 84" (213.4 cm): add surcharge:
\$47 two on one headrail
\$65 three on one headrail

Multiple Blinds on One Headrail
Blind widths 84¹/₁₆" to 120" (213.6 cm to 304.8 cm): **no charge**

Colors

Coronation	Georgetown	Kensington	Safari
Decree3045	Capitol Hill3072	Bellhop3041	Buffalo3105
Princess3046	Flax3071	Fresh Linens3042	Hearthstone3103
Proclamation3043	National Mall3078	Passport3037	Moccasin3106
Royal Coach3047	Smithsonian3073	Room Key3038	Quarry3102
Sceptre3049	Tawny3070	Titanium3040	Stormy Sage3104
	White3065		
	Homespun II		
	Beach3008		
	Butterscotch3007		
	Chocolate3011		
	Ivory3006		

Options Pricing

Valance Replacement Pricing																
Width up to inches (cm) →	18 (45.8)	24 (61.0)	31 (78.8)	36 (91.5)	42 (106.7)	48 (122.0)	54 (137.2)	60 (152.4)	66 (167.7)	72 (182.9)	78 (198.2)	84 (213.4)	90 (228.6)	96 (243.9)	108 (274.4)	120 (304.8)
Price Group A: Crown																
Standard	\$18	18	18	20	20	20	24	24	29	29	30	32	35	40	43	43
Double	18	18	20	20	23	23	29	29	32	32	33	35	36	46	46	49
Price Group B: Cachet, Fiber, Linen, Quantum, Rapture																
Standard	\$18	18	20	20	20	20	24	24	29	29	30	32	35	40	43	46
Double	18	18	20	20	23	23	29	29	32	32	33	36	36	46	49	52
Price Group C: Coronation, Georgetown, Homespun II, Kensington, Safari																
Standard	\$20	20	23	23	24	24	32	32	36	36	36	39	43	54	54	56
Double	23	23	24	29	29	32	39	39	43	43	46	49	54	60	66	69

Options Pricing	
Option	Surcharge
Cloth Tapes (1" and 1½" (2.5 cm and 3.8 cm))	See price charts for appropriate style choice
Decorative Cord Cleats	Solid brass cleat: \$10 Antique brass cleat: \$5
Corner or Bay Window	No charge
Cut-Outs	\$67
Double Valance	See price charts for ordering with blind See above for replacement pricing
Hold Down Brackets	No charge
Motorized Tilt	See motorization price list
Multiple Blinds on One Headrail	Less than or equal to 84" (213.4 cm) wide: Two on one headrail: \$47; Three on one headrail: \$65 84½" to 120" (213.6 cm to 304.8 cm) wide: no charge
NoHoles™	See price chart
Projection Brackets (2¾" and 4¾" (7.0 cm and 12.1 cm))	No charge
Shims (⅜" (0.5 cm))	No charge
Sky Poles	3 feet to 6½ feet (0.9 m to 2.0 m): \$46 5 feet to 9½ feet (1.5 m to 2.9 m): \$70
Wood Cornices	See cornice and valances price list



Graber is a brand of Springs Window Fashions, the Best Experience Company

Graber and the Graber logo are registered trademarks of Springs Window Fashions, LLC.

19-0522-06 (07/17) 17-5889|S17-5059