

# ALUMINUM HORIZONTAL BLINDS

## Table of Contents

### Features and Size Considerations

1" (2.6 cm) Supreme Cordless, 1" (2.6 cm) Supreme Cordless, 1" (2.6 cm) Classics, 1" (2.6 cm) Insignia®,	
½" (1.3 cm) Supreme Micro, 2" (5.1 cm) Grandeur™	2
Cord Lift Blinds, Depth Requirements for Inside Mount	3
Cordless Lift Blinds, Depth Requirements for Inside Mount	4

### Options

Summary	5
Cord Tilt Controls	6
Cordless Lift	6
Motorized Tilt Control	7
Hidden Holes™	8
Inverted Slats	8
Multiple Blinds on One Headrail	9
Multi-Colored Striped Blinds	10
Cloth Tapes and Colors	10
Cut-Out Blinds	11
Bay and Corner Windows	12
Specialty Shapes: Skylights Dual Headrail or Incline Wire Blinds	13-14
Specialty Shapes: Arches	15
Specialty Shapes: Circles	15
Specialty Shapes: Side Cuts, Angle Top and Bottom	16
Specialty Shapes: Octagons, Triangles, Other Shapes	17
Making a Template for Specialty Shape Windows	18
Using the Template Service	18

### General Information

Aluminum Color Assortment	19
Color Coordination Chart: ½" (1.3 cm) and 1" (2.6 cm) Aluminum	20
Color Coordination Chart: 2" (5.1 cm) Grandeur Aluminum	21
Ladder Color Coordination: Dual Headrail	21
Stack Height Chart	22
Slat Count Chart	23
Slat Route and Ladder Count Chart, Cordless Supreme, Supreme with Side Mount Brackets, Supreme, Classics, Insignia, Micro Supreme with Side Mount Brackets, Micro Supreme, Grandeur 2" (5.1 cm) Aluminum	24-25
½" (1.3 cm) Micro Supreme and 1" Supreme Product Detail	26
1" (2.6 cm) Cordless Supreme Product Detail	27
1" (2.6 cm) Classics Product Detail	28
1" (2.6 cm) Insignia Product Detail	29
2" (5.1 cm) Grandeur Product Detail	29

### Price Charts and Options Pricing

Price Group A: 1" (2.6 cm) Cordless Supreme	31
Price Group B: 1" (2.6 cm) Supreme	32
Price Group C: 1" (2.6 cm) Classics	33
Price Group D: 1" (2.6 cm) Insignia	34
Price Group E: ½" (1.3 cm) Micro Supreme	35
Price Group F: 2" (5.1 cm) Grandeur	36
Price Group G: 1" (2.6 cm) Skylights	37
Price Group H: 1" (2.6 cm) Skylights—Incline Wire Specialty Shapes	38-39
Price Group I: Arches	40
Price Group J: Circles	41
Price Group K: Side Cuts, Inverted Triangles, Angle Top and Bottom	42
Price Group L: Octagons, Triangles	43
Options Pricing	44



## Features

### 1" (2.6 cm) Supreme Cordless

- Great for children's rooms and play areas
- Choose .006 or .008 gauge 1" (2.6 cm) aluminum slats
- Cordless lift system allows blind to be raised and lowered easily with the touch of a finger
- Improved safety for households with children and pets
- Eliminates unsightly cords
- Hidden Holes™ option for additional light control and privacy
- Patented, sleek headrail design features a light-blocking lip, requires no valance (1½" x 2⅜" (3.9 cm x 5.6 cm) aluminum)
- Hidden headrail brackets reduce light gaps
- Gear-driven motor provides smooth, quiet operation
- Our painting process makes slats resist dust, stains, scratches, mold, and mildew
- Color coordinated components provide a finished look
- Cordless handle keeps the blind clean

### 1" (2.6 cm) Supreme

- The ultimate in light control
- Choose .006 or .008 gauge 1" (2.6 cm) aluminum slats
- Offers the most options in color to suit any decor
- Sleek lightblocking headrail requires no valance (1" x 1½" (2.6 cm x 3.9 cm) steel)
- Tighter ladder spacing provides greater light-blocking ability
- Hidden headrail brackets reduce light gaps
- Hidden Holes option for additional light control and privacy
- Clutch wand tilt releases to prevent damage
- Crash proof cordlock and bottomrail bumpers prevent sill damage
- Precision machined roller system makes it easier to raise blinds
- Our painting process makes slats resist dust, stains, scratches, mold, and mildew
- Color coordinated components provide a finished look

### 1" (2.6 cm) Classics

- Box brackets make it a snap to install
- Available in skylights and other specialty shapes
- Choose .006 or .008 gauge 1" (2.6 cm) aluminum slats
- 1" x 1½" (2.6 cm x 3.9 cm) steel rectangular headrail
- Deluxe two-slat valance provides a more attractive look
- Clutch wand tilt releases to prevent damage
- Crash proof cordlock and bottomrail bumpers prevent sill damage
- Less porous paint on slats resists dust, stains, scratches, mold, and mildew
- Color coordinated components provides a finished look

### 1" (2.6 cm) Insignia®

- Your best value
- Fits in windows with narrow jams
- .006 gauge 1" (2.6 cm) aluminum slats
- 1" x 1" (2.6 cm x 2.6 cm) steel square headrail requires minimal depth for a flush mount
- Box brackets make it a snap to install
- Two-slat valance provides a more attractive look
- Clutch wand tilt releases to prevent damage
- Crash proof cordlock prevents sill damage
- Our painting process makes slats resist dust, stains, scratches, mold, and mildew

### ½" (1.3 cm) Supreme Micro

- Great for French doors and small windows
- .006 gauge ½" (1.3 cm) aluminum slats
- Sleek lightblocking headrail requires no valance (1" x 1½" (2.6 cm x 3.9 cm) steel)
- Hidden headrail brackets reduce light gaps
- Clutch wand tilt releases to prevent damage
- Our painting process makes slats resist dust, stains, scratches, mold, and mildew
- Color coordinated components provide a finished look

### 2" (5.1 cm) Grandeur™

- Proportionate for large windows
- Maximizes view to outside when slats are open
- .008 gauge 2" (5.1 cm) aluminum slats
- Patented SureTight® headrail (1⅝" x 2¼" (4.2 cm x 5.8 cm)) with premium light-blocking features
- Box brackets make it a snap to install
- Decorative cloth tapes available
- Deluxe channel panel valance provides a sleek finished look
- Crash proof cordlock prevents sill damage
- Our painting process makes slats resist dust, stains, scratches, mold, and mildew
- Color coordinated components provide a finished look

## Size Considerations

Cord Lift Blinds										
Styles	Price Group	Cord Lift Blinds				Cord Lift Multiple Blinds on One Headrail				
		Width		Height		Width			Height	
		Minimum* inches (cm)	Maximum inches (cm)	Minimum inches (cm)	Maximum inches (cm)	Minimum Panel* inches (cm)	Maximum Panel inches (cm)	Maximum Blind inches (cm)	Minimum Blind inches (cm)	Maximum Blind inches (cm)
		½" (1.3 cm) Micro Supreme	E	5½ (14.0) <sup>a</sup>	120 (304.8)	6 (15.3)	5½ (14.0)–22 (55.9): 96 (243.9) <sup>b</sup> 22¼ (56.1)–120 (304.8): 144 (365.8)	9 (22.9)	120 (304.8)	192 (487.7)
1" (2.6 cm) Classics	C	5½ (14.0) <sup>a</sup>	142 (360.7)	6 (15.3)	126 (320.1)	9 (22.9)	142 (360.7)	192 (487.7)	6 (15.3)	126 (320.1)
1" (2.6 cm) Insignia®	D	5½ (14.0) <sup>a</sup>	120 (304.8)	6 (15.3)	126 (320.1)	9 (22.9)	142 (360.7)	192 (487.7)	6 (15.3)	126 (320.1)
1" (2.6 cm) Supreme .006 and .008 Gauge	B	5½ (14.0) <sup>a</sup>	142 (360.7)	6 (15.3)	5½ (14.0)–11⅝ (30.4): 132 (335.3) 12 (30.5)–35 (88.9): 168 (426.8) 35⅞ (89.1)–143¾ (365.2): 240 (609.6)	9 (22.9)	142 (360.7)	192 (487.7)	6 (15.3)	126 (320.1)
2" (5.1 cm) Grandeur™	F	9 (22.9) <sup>†</sup>	142 (360.7)	10 (25.4)	126 (320.1)	9 (22.9) <sup>†</sup>	142 (360.7)	142 (360.7)	10 (25.4)	126 (320.1)

\*For all inside mount applications—½" (1.3 cm) deduction is taken by manufacturer on overall width; Supreme and Supreme Micro—⅜" (1.0 cm).


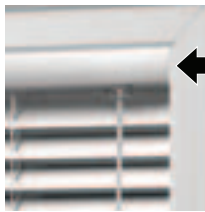
<sup>a</sup>5½ (14.0 cm) to 8⅞ (22.8 cm) center tilt only

<sup>†</sup>9" (22.9 cm) outside mount, 9½" (24.2 cm) inside mount (9" (22.9 cm) to 11⅝" (30.4 cm) center tilt only)

12" (30.5 cm) to 16" (40.7 cm) (standard or reversed standard controls)



16⅞ (40.8 cm) (same side controls)

<sup>b</sup>Blind width 5½" (14.0 cm)–22" (55.9 cm): 96" (243.9 cm); blind width 22¼" (56.1 cm)–120" (304.8 cm): 144" (365.8 cm)

Depth Requirements for Inside Mount					
Blind Type	Headrail Dimensions inches (cm)	 Partially recessed headrail in window casing/molding		 Fully recessed headrail in window casing/molding	
		Minimum Depth Mount inches (cm)	Flush with Casing inches (cm)		
½" (1.3 cm) Micro Supreme	1 (2.6) x 1½ (3.9)	¾ (2.0)	1¼ (4.5)		
1" (2.6 cm) Classics	1 (2.6) x 1½ (3.9)	¾ (2.0)	1⅞ (4.8)		
1" (2.6 cm) Insignia	1 (2.6) x 1 (2.6)	¾ (2.0)	1⅞ (3.4)		
1" (2.6 cm) Supreme	1 (2.6) x 1½ (3.9)	¾ (2.0)	1¼ (4.5)		
2" (5.1 cm) Grandeur	1⅞ (4.2) x 2¼ (5.8)	¾ (2.0)	2⅞ (6.1)		

## Size Considerations


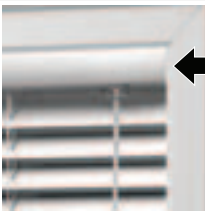
### Cordless Lift Blinds

<b>Styles</b>	<b>Price Group</b>									
		<b>Cordless Lift Blinds</b>				<b>Cordless Lift Multiple Blinds on One Headrail</b>				
		<b>Width</b>		<b>Height</b>		<b>Width</b>			<b>Height</b>	
		<b>Minimum*</b> inches (cm)	<b>Maximum</b> inches (cm)	<b>Minimum</b> inches (cm)	<b>Maximum</b> inches (cm)	<b>Minimum Panel*</b> inches (cm)	<b>Maximum Panel</b> inches (cm)	<b>Maximum Blind</b> inches (cm)	<b>Minimum Blind</b> inches (cm)	<b>Maximum Blind</b> inches (cm)
1" (2.6 cm) Supreme .006 Gauge	B	18 (45.8)	96 (243.9)	12 (30.5)	84 (213.4) standard 72 (182.9) Hidden Holes™	18 (45.8)	60 (152.4)	120 (304.8) (2 on 1) 144 (365.8) (3 on 1)**	12 (30.5)	72 (182.9)
1" (2.6 cm) Supreme .008 Gauge	B									

\*For all inside mount applications— $\frac{3}{8}$ " (1.0 cm) deduction is taken by manufacturer on overall width.

\*\*The control for the center panel on a three on one cordless lift blind will always be on the left.

### Depth Requirements for Inside Mount

			Partially recessed headrail in window casing/molding Cord lift headrail shown		Fully recessed headrail in window casing/molding Cord lift headrail shown
<b>Blind Type</b>	<b>Headrail Dimensions</b> inches (cm)	<b>Minimum Depth Mount</b> inches (cm)		<b>Flush with Casing</b> inches (cm)	
Supreme	1 (2.6) x $2\frac{3}{16}$ (5.6)	$\frac{3}{8}$ (2.0)		$2\frac{1}{8}$ (5.4)	
Privacy Supreme					

# Options

## Summary

The following is a chart of options for ½" (1.3 cm), 1" (2.6 cm), and 2" (5.1 cm) aluminum blinds. Options that are available vary by blind type. See specific option for availability and detailed descriptions on the following pages.

Features	Classics	Insignia®	1" (2.6 cm) Supreme	1" (2.6 cm) Supreme Cordless	½" (1.3 cm) Supreme Micro	2" (5.1 cm) Grandeur™
Bay or Corner Window	√	√	√	√	√	√
Cloth Tapes						√
Control Location						
Standard (Tilt Left/Lift Right)	√	√	√	Tilt left	√	√
Reverse	√	√	√	Tilt right	√	√
Same Side	Over 13¾" (35.0 cm)	Over 11 <sup>15</sup> / <sub>16</sub> " (30.4 cm)	Over 11 <sup>15</sup> / <sub>16</sub> " (30.4 cm)		Over 11 <sup>15</sup> / <sub>16</sub> " (30.4 cm)	Over 16" (40.7 cm)
Cut-Outs—to work around any architectural detail	√	√	√		√	√
Double Slats	√		√			
Hidden Holes™—for additional privacy, light control, and a cleaner look			√	√		
Inverted Slat—to bring more light into the room	√	√	√	√		√
Limited Tilt	√	√	√		√	
Motorized Tilt (see motorization price list)						√
Multiple Blinds on One Headrail— for large windows	√	√	√	√	√	√
Multi-Colored Striped Blinds— perfect for themed rooms	√		√	√	√	√
Projection Brackets—1¾" (4.5 cm), 2¾" (7.0 cm), 4¾" (12.1 cm) (outside mount only)	√	√	√	√	√	√
Side Mount	Standard	Standard	√ <sup>Δ</sup>		√ <sup>Δ</sup>	Standard
Sky Poles—for hard to reach controls, used with ring tilt, ring pull, or cordless handle						
3 to 6½ feet (0.9 m–2.0 m)	√		√	√	√	√
5 to 9½ feet (1.5 m–2.9 m)	√		√	√	√	√
Cord Tilt	√					Standard
Wand Tilt	Standard	Standard	Standard	Standard	Standard	√
Ring Tilt and Ring Pull—6" (15.3 cm)	√		√		√	√
Toplock Cord Lock	√		√		√	

<sup>Δ</sup>Available up to 60" (152.4 cm) wide.

# Options

## Cord Tilt Controls



### Wand Tilt

- No charge
- Standard



### Cord Tilt

- No charge
- Standard on 2" (5.1 cm) Grandeur™
- Optional on Classic

2" (5.1 cm) Grandeur Shown



### Ring Tilt and Ring Pull

- No charge
- Optional
- Not available on cordless lift
- Optional sky pole available—for surcharge, see options pricing
- Sky pole not available on Insignia®
- Ring pull standard length is 6" (15.3 cm)  
(not available from 6<sup>1</sup>/<sub>16</sub>" (15.4 cm)–7<sup>15</sup>/<sub>16</sub>" (20.2 cm))

## Cordless Lift



- **For surcharge, see price charts**
- Great for kids' rooms—improved safety
- Choose .006 or .008 gauge 1" (2.6 cm) aluminum slats
- Cordless system allows blinds to be raised and lowered easily with the touch of a finger
- Cordless handle keeps the blind clean
- Eliminates unsightly cords
- Patented, sleek headrail design features a light-blocking lip, requires no valance (1<sup>1</sup>/<sub>2</sub>" x 2<sup>3</sup>/<sub>16</sub>" (3.9 cm x 5.6 cm)) aluminum)
- Hidden headrail brackets reduce light gaps
- Gear-driven motor provides smooth, quiet operation
- Our painting process makes slats resist dust, stains, scratches, mold, and mildew
- Color coordinated components provide a finished look
- Choose the Hidden Holes™ option for more light control and privacy
- Not available with side mount brackets

# Options

## Motorized Tilt Control



- **For surcharge, see motorization price list**
- 2" (5.1 cm) Grandeur™ only
- Radio Frequency (RF) only
- RF motorization allows blind operation from virtually anywhere in the house without direct line of sight
- Tilts slats on multiple blinds simultaneously or individually
- Remotes, wall switches, and timers available with RF motorization
- Offers enhanced security with the optional wireless RF timer
- Tilt slats when entering or exiting a room with optional wireless wall switches

Follow these steps to determine if your blinds can be motorized:

1. Measure blind width and height.
2. Make sure measurements are within minimum and maximum size specifications listed to the left.
3. Multiply width times height. Round each dimension up to nearest inch for easy calculation to obtain blind size in square inches.
4. Make sure your calculations do not exceed the maximum size specifications listed.
5. Multiple blinds on one headrail are allowed if total size is under 7,200 square inches (4.7 m<sup>2</sup>). All blinds will operate together with one motor.

Minimum Width	19" (48.3 cm)
Maximum Width	84" (213.4 cm)
Maximum Height	126" (320.1 cm)
Maximum Size	7,200 square inches (4.7 m <sup>2</sup> )

**EXAMPLE:**

84" (213.4 cm) wide x 96" (243.9 cm) high = 8,064 square inches (5.2 m<sup>2</sup>) (over maximum size)  
18" (45.8 cm) wide x 62" (157.5 cm) high = 1,116 square inches (0.7 m<sup>2</sup>) (under minimum width)  
67" (170.2 cm) wide x 84" (213.4 cm) high = 5,628 square inches (3.6 m<sup>2</sup>) (ok)

# Options

## Hidden Holes™



Standard



1" (2.6 cm) Hidden Holes

- **For surcharge, see price charts**
- Provides a sleek, elegant look to Graber® 1" (2.6 cm) Supreme and Cordless Supreme mini blinds
- Smaller route holes are placed further back on the blinds so they disappear when the blinds are closed, eliminating annoying light gaps
- Sleek, light blocking headrail is standard and gives the ultimate in privacy and light control

**NOTE:** This option may cause the bottom of the blind to touch the window when raised. Consider ordering projection brackets if this is a concern.

## Inverted Slats



- **For surcharge, see options pricing**
- Bring up to 38% more daylight into your room by choosing the inverted slat option\*
- Choose Polished Aluminum (741) for optimum light
- Reflective surface throws more natural light into your room
- Available on 1" (2.6 cm) and 2" (5.1 cm) styles; not available on ½" (1.3 cm) Supreme Micro

\*2" (5.1 cm) inverted slat in Polished Aluminum tested 38% more effective transmitting daylight into room than standard 2" (5.1 cm) slat in Polished Aluminum.



# Options

## Multiple Blinds on One Headrail



- **For surcharge, see price charts**

Two or three blinds can be installed on a single headrail to provide a practical treatment for larger windows or sliding patio doors.

### Options: Standard Controls

Two on One Headrail	Left panel	Tilt/left—lift/left
	Right panel	Tilt/right—lift/right
Three on One Headrail	Left panel	Tilt/left—lift/left
	Center panel	Tilt/left—lift/right
	Right pane	Tilt/right—lift/right

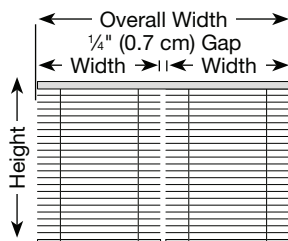
The tilt control on cordless lift three on one headrail will always be on the left for the center panel. Non-standard control positions can be requested.

### Measuring

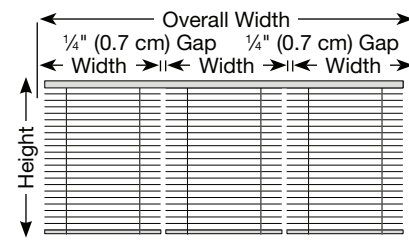
1. Measure overall width of the area to be covered. If space permits, an overlap of 1½" (3.9 cm) per side is recommended for outside mounts.
2. Measure the width of the area each blind is to cover. Measure and specify the left blind first, continuing to the right. Allow a minimum of ¼" (0.7 cm) between blinds for operating clearance. **NOTE:** Cordless lift has minimum ⅜" (1.0 cm) gap.
3. Total width of all blinds, plus clearance(s) must equal overall width.
4. Measure height as follows:
  - a. For windows, use standard inside or outside measuring procedures.
  - b. For patio doors, measure height within ¾" (2.0 cm) of floor, either from ceiling or a point at least 6½" (16.6 cm) above the door frame. (Check slat count tables if blind is to completely clear the doorway.)

### Ordering

1. Indicate blinds that are to be mounted on one headrail.
2. Specify total width of headrail for inside mount that is the total window opening.
3. Indicate each panel size, specify left blind first, continuing to the right.
4. Specify gaps.
5. Specify control positions, if other than standard.
6. Add applicable surcharge.



Two Blinds on One Headrail

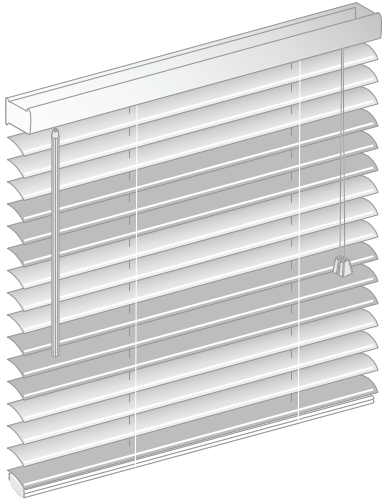


Three Blinds on One Headrail

**NOTE:** Cordless lift multiple blinds have a ⅜" (1.0 cm) gap between blinds.

# Options

## Multi-Colored Striped Blinds



### Example of Repeat Pattern:

- 3 Slats—085 Real Red
- 3 Slats—205 White Satin
- 3 Slats—089 True Blue
- 3 Slats—085 Real Red
- 3 Slats—205 White Satin
- 1 Slats—089 True Blue

- **For surcharge, see options pricing**
- Multi-colored blinds are the combination of two or more colors on one blind
- Headrail, bottomrail, and installation brackets will match the color of the top slat
- Maximum of five colors can be used in a repeated or exact striped design
- Ladder supports and lifts will be color coordinated to the headrail color
- Contact customer service to change color coordination
- Not available on 1" (2.6 cm) Insignia®

### Specifying Colors

1. Make a diagram of the blind, showing height.
2. From the slat count table, determine the total number of slats.
3. Bottomrail will match the color of the last slat if color pattern consists of at least four color slats in each color group. Otherwise, it will be the color of the headrail.

### Ordering

1. Please specify if an exact or repeat pattern.  
Repeat: color order repeats in a pattern  
Exact: color order is specifically defined; not in a repeated pattern
2. May specify headrail, bottomrail, ladder, and cord colors.

### Example of Repeat Pattern:

Multi-Color Diagram (sample of 1" (2.6 cm) Supreme Aluminum)

Height = 14" (35.6 cm)

Total Slats = 16

## Cloth Tapes and Colors

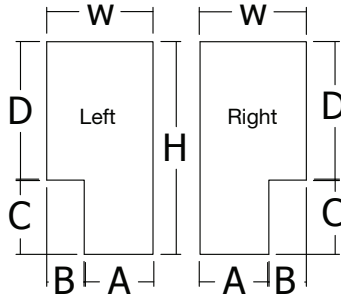
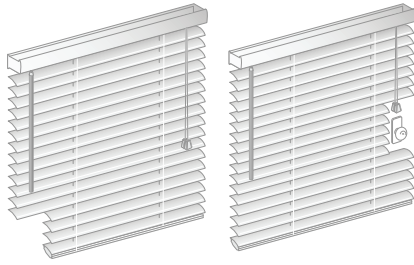


- **For surcharge, see price charts**
- Add a decorative touch with cloth tapes
- Only available on 2" (5.1 cm) Grandeur™ aluminum blinds
- Colors available:

1" (2.6 cm) Solid Tapes		1½" (3.9 cm) Solid Tapes	
Beige	1011	Beige	2011
Black	1033	Black	2033
Cocoa	1297	Chocolate	2353
Duck White	1136	Cocoa	2297
Toffee	1296	Dark Grey	2857
		Duck White	2136
		Light Beige	2137
		Light Grey	2861
		Maroon	2360
		Moss	2500
		Navy	2369
		Pecan	2403
		Taupe	2659
		Toffee	2296
		Wheat	2710
		White	2005
		White Smoke	2617

# Options

## Cut-Out Blinds



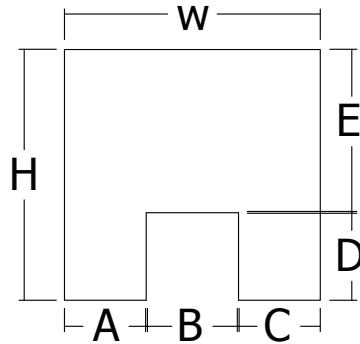
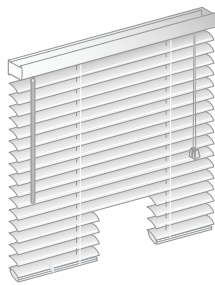
- For surcharge, see options pricing
- Cut-outs are not available on cordless lift blinds

### Bottom Corner and Side (Door Knob):

1" (2.6 cm) and ½" (1.3 cm) aluminum: maximum cut-out is blind width minus 10" (25.4 cm). A cut-out over 10" (25.4 cm) requires an intermediate rail.

2" (5.1 cm) vinyl and aluminum: maximum cut-out is 1" (2.6 cm) before the route hole.

"A" minimum is 5" (12.7 cm).

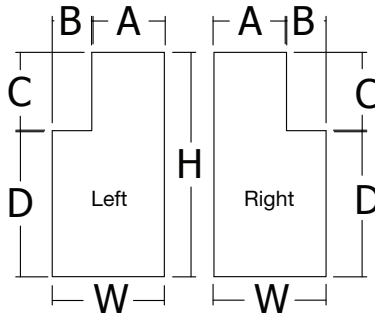
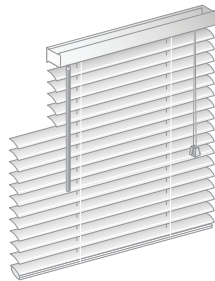


### Bottom Center:

"A" and "C" minimum is 5" (12.7 cm).

If "B" is greater than 10" (25.4 cm), there will be an intermediate rail.

**Not available on 2" (5.1 cm) blinds.**



### Top Corner:

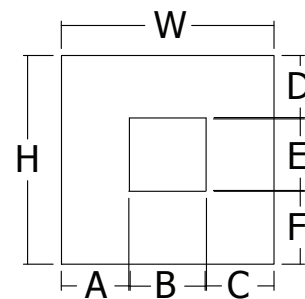
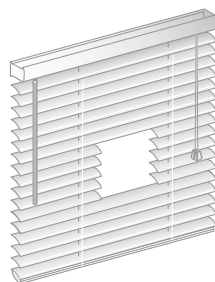
Maximum cut-out width is limited to ¼ of total blind width.

"A" minimum is 14" (35.6 cm).

"B" is limited to ¼ total blind width.

If "B" is greater than 8" (20.4 cm) there will be an intermediate rail.

**Not available on 2" (5.1 cm) blinds.**



### Interior:

Both "A" and "C" minimum width is 5" (12.7 cm).

Maximum width for "B" is blind width minus 20" (50.8 cm).

**Not available on 2" (5.1 cm) blinds.**

**NOTE:** Oversized cut-out could require an intermediate support rail. Slats will not lift below intermediate rail.

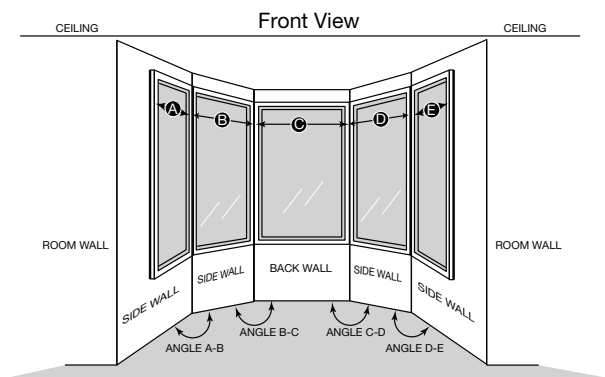
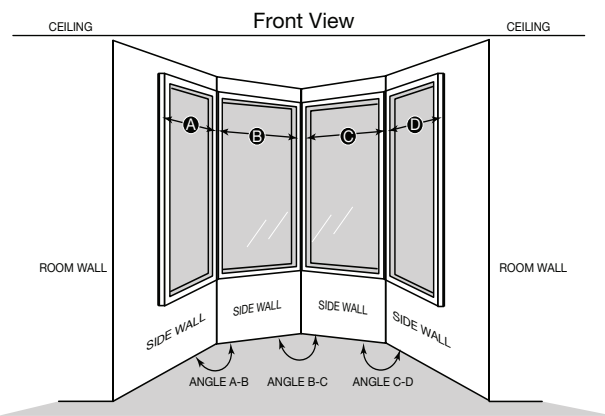
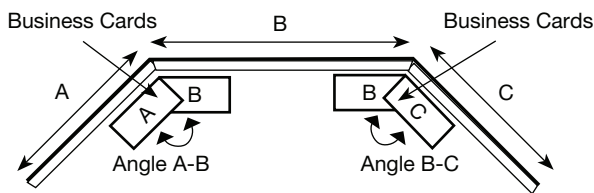
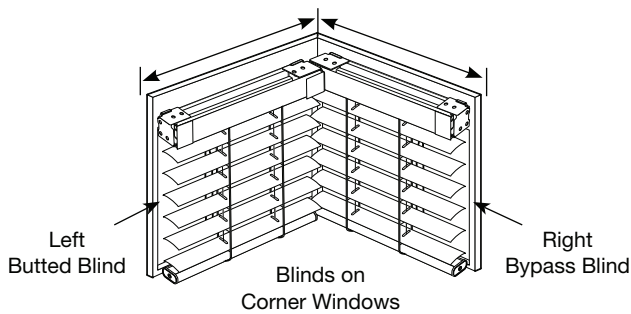
# Options

## Bay and Corner Windows

- Made as individual blinds to fit in bay or corner windows
- Each section will have its own control; we recommend opposite corners
- Indicate each blind with bypass or butt; bypass is the blind mounted into the corner; butt is the blind butted up to the other blind

- Manufacturer will take appropriate deductions for proper fit
- Cornices are not available

**NOTE:** If you do not want vendor to take deductions DO NOT order as bay or corner.



### Measuring Information

#### Corner Window

Measure:

Width of each window from corner to the point you would like to cover.

#### Three-Sided Bay Window

Measure:

A and C: Width of side windows from the corners to the point you would like the blind to cover.

B: Width of the center window from corner to corner.

Angle A-B: Angle between windows (A) and (B).

Angle B-C: Angle between windows (B) and (C).

#### Four-Sided Bay Window

Measure:

A and D: Width of side windows from the corners to the point you would like the blind to cover.

B and C: Width of each window from corner to corner.

Angle A-B: Angle between windows (A) and (B).

Angle B-C: Angle between windows (B) and (C).

Angle C-D: Angle between windows (C) and (D).

#### Five-Sided Bay Window

Measure:

A and E: Width of side windows from the corners to the point you would like the blind to cover.

B, C and D: Width of each center window from corner to corner.

Angle A-B: Angle between windows (A) and (B).

Angle B-C: Angle between windows (B) and (C).

Angle C-D: Angle between windows (C) and (D).

Angle D-E: Angle between windows (D) and (E).

**NOTE:** Measure bay angle using protractor or angle finder, or use two business cards in bay corner as illustrated above trace angle onto paper and fax to customer service.

## Options

### Specialty Shapes: Skylights Dual Headrail or Incline Wire Blinds



#### Incline Wire Features

- For surcharge, see price charts
- Degree from vertical cannot exceed 45 degrees
- Available in all specialty shapes except arches and circles
- Choose .006 or .008 gauge 1" (2.6 cm) aluminum slat
- 1" x 1½" (2.6 cm x 3.9 cm) steel headrail, box design
- Wand tilt left (standard) or right
- Lift cord right (standard) or left
- Color coordinated components provide a finished look
- Sky poles available for easy tilting upon request
- Blinds inclined over 30 degrees from vertical will have marginal tilt operation
- Blinds inclined over 40 degrees from vertical will lower marginally
- Available in special shapes and cord tilt (exception: arch and circle)



#### Dual Headrail Features

- For surcharge, see price charts
- For windows at more than a 45 degree angle
- Blinds are tilt only
- Choose .006 or .008 gauge 1" (2.6 cm) aluminum slat
- 1" x 1½" (2.6 cm x 3.9 cm) steel headrail, box design
- Ring tilt left (standard) or right
- Color coordinated components provide a finished look
- Sky poles available for easy tilting upon request



Sky Pole

	Incline Wire inches (cm)		Dual Headrail inches (cm)	
Minimum Width	12 (30.5) exact		12 (30.5)	
Maximum Width	122 (309.9)		142 (360.7)	
Minimum Height	10 (25.4)		10 (25.4)	
	Blind Width inches (cm)	Max Height inches (cm)	Blind Width inches (cm)	Max Height inches (cm)
Maximum Height	12 (30.5)–32 (81.3)	126 (320.1)	12 (30.5)–23 (58.5)	126 (320.1)
	32½ (81.6)–57 (144.8)	108 (274.4)	23½ (58.8)–32 (81.3)	102 (259.1)
	57½ (145.1)–92 (233.7)	102 (259.1)	32½ (81.6)–72 (182.9)	90 (228.6)
	92½ (233.9)–122 (309.9)	90 (228.6)	72½ (183.2)–142 (360.7)	80 (203.2)

# Options

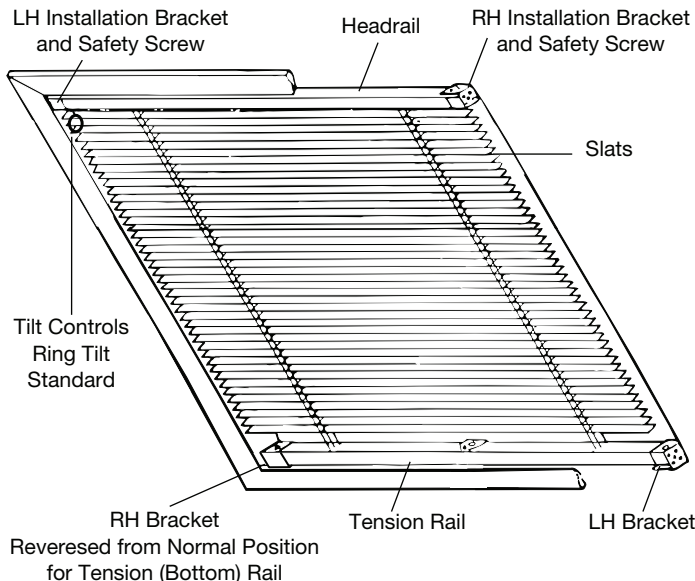
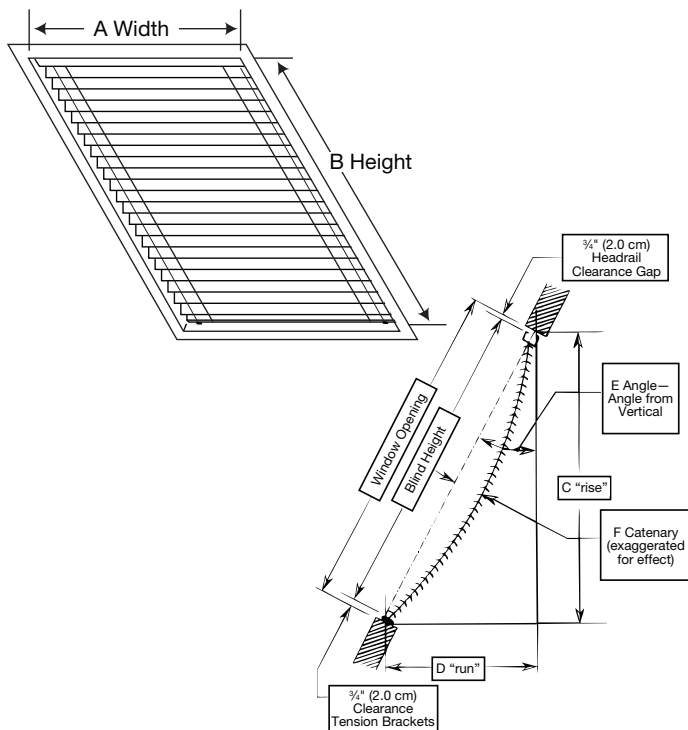
## Specialty Shapes: Skylights Dual Headrail or Incline Wire Blinds

### Measuring Information

#### Inside Mount

- A. Width**—Measure the exact inside width of the window casing from one inside edge to the other in three different places. Record the narrowest measurement.
- B. Height**—Measure the exact height in three different places from the top edge of the opening to the top of the sill. Record the longest measurement.

Do not deduct for headrail clearance gaps. Manufacturer will make all allowances for both width and height. Headrail, tension rail, and slats will be manufactured  $\frac{1}{2}$ " (1.3 cm) less than the dimension given as width. Proper deductions will be made for blind height.



#### Outside Mount

Measure width and height dimensions and specify as "blind size, cut exact". The manufacturer will not make any allowances for width or height. Headrail, tension rail, and slats will equal dimensions given as width. Blind height will refer to the distance from the top of the upper bracket to the lower bracket of the installed blind and will equal dimension given as height. Do not deduct for headrail and tension rail clearance gaps.

#### Incline Wire Skylight

Ideal for skylights at up to a 45 degree angle.

**NOTE:** Blinds can lift and tilt.

Used in windows installed vertically to 45 degrees from vertical (maximum).

- A. Width**—Measure the exact inside width of the window casing from one inside edge to the other in three different places. Record the narrowest measurement.
- B. Height**—Measure the exact height in three different places from the top edge of the opening to the top of the sill. Record the longest measurement.
- C. Rise**—The vertical measurement from the top of a window to the RUN to form a 90 degree angle.
- D. Run**—The horizontal measurement from the bottom of a window to the RISE to form a 90 degree angle.
- E. Angle**—The degree the window is slanted perpendicular (at a right angle) to the floor.
- F. Catenary**—The degree a blind may possibly bow. No measurement needed.

Must give measurements for A and B. C and D are used to calculate the angle (must be less than 45 degrees).

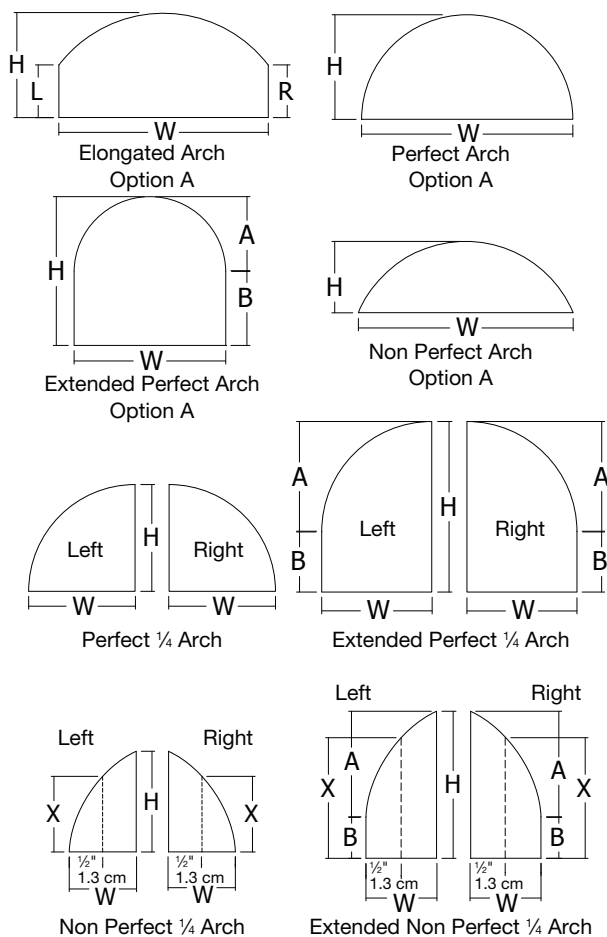
#### Dual Headrail Skylight

Ideal for skylights at more than a 45 degree angle.

**NOTE:** Blind is tilt only, no lift.

## Options

### Specialty Shapes: Arches



- **For surcharge, see price charts**
- Choose .006 or .008 gauge 1" (2.6 cm) aluminum slat
- Use 1" x 1" (2.6 cm x 2.6 cm) aluminum headrail
- Valance not available
- A template is required for all arches except perfect arches
- Limitations may apply within each blind type; fax a drawing to customer service to determine availability
- May require 4 to 6 weeks lead time to manufacture

#### Size Considerations

	Arches inches (cm)	Quarter Arch inches (cm)
Minimum Width	10 (25.4)	12 $\frac{3}{4}$ (32.4)
Maximum Width	Base 142 (360.7)	142 (360.7)
Minimum Height	5 (12.7)	6 (15.3)
Maximum Height	126 (320.1)	126 (320.1)

#### Controls

Arches: standard, reverse, or same side

Quarter arch: low side

Full tilt: lift depends on shape

Cord tilt and ring tilt: not available

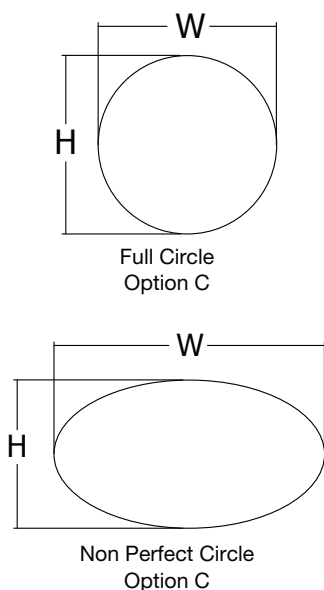
#### Ordering Information

Full arch: to order, choose specialty option A

Quarter arches: choose specialty option F for left quarter arch and option G for right quarter arch

**Only available on 1" (2.6 cm) Classics blinds.**

### Specialty Shapes: Circles



- **For surcharge, see price charts**
- Choose .006 or .008 gauge 1" (2.6 cm) aluminum slat
- An illustration can be resized
- Uses 1" x 1" (2.6 cm x 2.5 cm) aluminum headrail
- Valance not available
- A template is required for all non perfect circles (see instructions for making a template)
- Limitations may apply within each blind type; fax a drawing to customer service to determine availability
- May require up to 4-6 weeks lead time to manufacture

#### Size Considerations

Minimum Width	12" (30.5 cm) diameter
Maximum Width/Height	72" (182.9 cm)

#### Controls

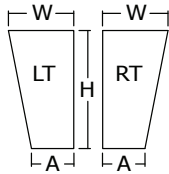
Controls: left or right

Full tilt: no lift

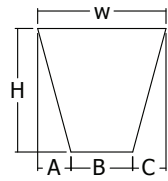
Cord tilt and ring tilt: not available

# Options

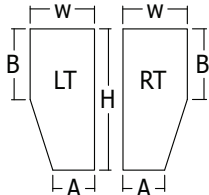
## Specialty Shapes: Side Cuts, Angle Top and Bottom



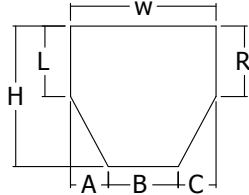
Side Cut  
Option V



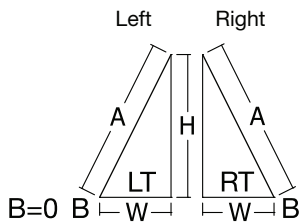
Double Side Cut  
Option V



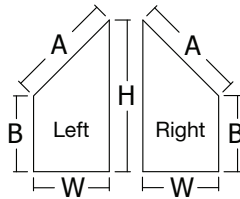
Extended Side Cut  
Option V



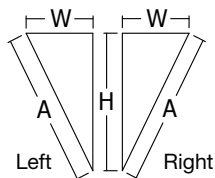
Extended Double Side Cut  
Option V



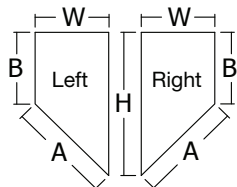
Angle Top  
Option P



Extended Angle Top  
Option P



Angle Bottom  
Option B



Extended Angle Bottom  
Option B

- For surcharge, see price charts
- Choose .006 or .008 gauge 1" (2.6 cm) aluminum slat
- An illustration can be reversed or resized
- Use 1" x 1½" (2.6 cm x 3.9 cm) steel headrail
- Valance not available
- Limitations may apply within each blind type; fax a drawing to customer service to determine availability
- May require up to 4 to 6 weeks lead time to manufacture
- To order, fax a signed drawing with all dimensions to customer service
- Available as incline wire for skylights

Size Considerations	Side Cuts inches (cm)	Angle Top and Bottom inches (cm)
Minimum Bottom Rail	4½ (11.5) exact	12 (30.5) exact
Maximum Width	142 (360.7)	142 (360.7)
Minimum Height	6 (15.3)	12 (30.5)
Maximum Height	126 (320.1)	126 (320.1)
Minimum Headrail	7½ (19.1)	12 (30.5)

### Controls

- Side cuts: standard, reverse, or same side (straight side only)
- Angle bottoms: standard, reverse, or same side (dependent on shape)
- Angle and extended angle tops and bottoms: cord lock must be low side
- Full tilt: lift depends on shape
- Cord tilt: available (not available with incline wire)
- Angle bottoms: 60° maximum angle degree; for greater than 60°; order side cut, bottom point will have light gap

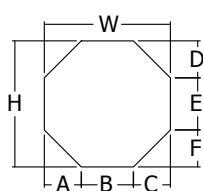
### Ordering Information

Choose specialty option indicated below illustration.

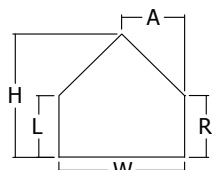


# Options

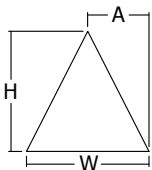
## Specialty Shapes: Octagons, Triangles, Other Shapes



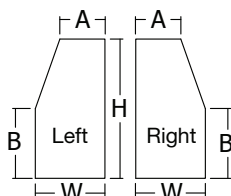
Octagon  
Option U



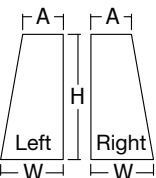
Extended Triangle  
Option T



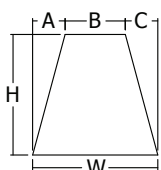
Triangle  
Option I



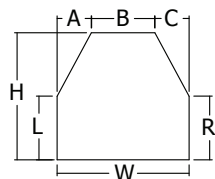
Extended  
Inverted Side Cut  
Option I



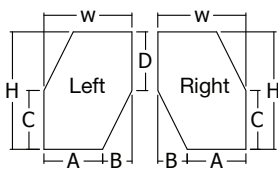
Inverted Side Cut  
Option I



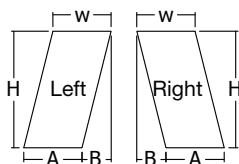
Inverted Double Side Cut  
Option I



Extended Inverted  
Double Side Cut  
Option I



Extended Offset Cut  
Option I



Offset Cut  
Option I

- For surcharge, see price charts
- Choose .006 or .008 gauge 1" (2.6 cm) aluminum slat
- An illustration can be inverted or reversed or resized
- Headrail is split on many of these shapes
- Use 1" x 1½" (2.6 cm x 3.8 cm) steel headrail
- Valance not available
- Limitations may apply within each blind type; fax a drawing to customer service to determine availability
- May require up to 4-6 weeks lead time to manufacture
- To order, fax a signed drawing with all dimensions to customer service
- Available as incline wire for skylights

Size Considerations	Octagon inches (cm)	Triangle inches (cm)	Other Shapes inches (cm)
Minimum Width	7½ (19.1) exact headrail	12 (30.5)	7½ (19.1) exact headrail
Maximum Width	142 (360.7) or 192 (487.7) maximum total combined headrail segments		
Minimum Height	18½ (46.1)	12 (30.5)	12 (30.5)
Maximum Height	126 (320.1)	126 (320.1)	126 (320.1)

### Controls

- Controls: standard, reverse, or same side (straight side only)
- Full tilt left or right: lift depends on shape
- Limited tilt: available
- Cord tilt: available (not available with incline wire)

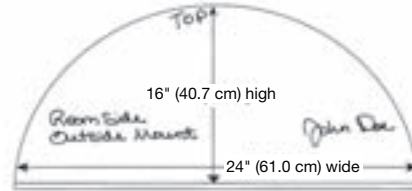
### Ordering Information

Choose specialty option indicated below illustration.

## Options

### Making a Template for Specialty Shape Windows

1. Tape butcher paper, Kraft, or construction paper over the window opening allowing plenty of overlap.
2. Being careful not to press against the template paper while tracing, draw an exact outline of the window opening. Pressing on the template paper may distort the paper and cause the wrong size to be made.
3. Remove the paper from the window opening. If the blind is an outside mount, add the desired amount of overlap to the window outline and draw a second outline around it to match the shape of the finished blind. **Be sure to erase the inside line.**
4. Mark the dimensions on the template. Check that the template dimensions match your measurements of the actual window opening.  
**NOTE:** Make sure the template is of the window opening, not the glass only measurement.
5. **Cut the shape from the paper.**
6. **PLACE THE TEMPLATE BACK INTO THE WINDOW OPENING TO CHECK FOR PROPER FIT COMPLETELY AROUND.**
7. Indicate on the template
  - “Room side” and “top” on the template
  - Purchase order number
  - Customer’s name
  - Your store name and account number
8. Roll up template and place in a mailing tube.  
**DO NOT FOLD TEMPLATE.**



**NOTE:** This is just a sample for illustration purposes only—other information may be needed for your order.

**Mail to:** Springs Window Fashions LLC  
33 West Third Street  
Suite 400  
Williamsport, PA 17701  
ATTN: Specialty Dept.

**NOTE:** When mailing, make sure to get a tracking number and note your return address on the mailing tube.

#### ACCEPTABLE MATERIALS FOR MAKING TEMPLATES:

Kraft paper  
Butcher paper  
Construction paper

#### WE WILL NOT ACCEPT TEMPLATES MADE FROM THE FOLLOWING MATERIALS:

Newspaper                      Plastic  
Wax paper                        Fabric  
Tissue paper                      Roofing paper  
Existing arch blinds              Wrapping paper

**NOTE:** If the material used to make a template stretches, tears easily, will not lay flat, or will mark the fabric—IT WILL NOT BE USED.

### Using the Template Service

To use the template service, simply:

1. Select template service when entering your order online.
2. Use the template worksheet to determine what measurements you need to supply for each shape.
3. Enter the lettered measurements using line item comments. The comments have been pre-programmed to all of the measurements you need to enter for your special shape.

See note at bottom of price grids if template service fees apply.

## General Information

### Aluminum Color Assortment

Color Name	Color Number	1" (2.6 cm) Insignia®	1" (2.6 cm) Classics	1" (2.6 cm) Cordless	1" (2.6 cm) Supreme	½" (1.3 cm) Micro Supreme	2" (5.1 cm) Grandeur™
Alabaster	112	✓	✓	✓	✓	✓	✓
Alabaster Pearl	326		✓	✓	✓	✓	✓
Almond	724		✓		✓		✓
Almost White Gloss	065	✓	✓	✓	✓	✓	✓
Aluminum	034	✓	✓	✓	✓	✓	
Ash Metallic	126		✓		✓		✓
Beige	011	✓	✓	✓	✓	✓	
Beige Pearl	328		✓	✓	✓		
Birch White	375		✓		✓		
Black Satin	233	✓	✓	✓	✓	✓	✓
Brushed Aluminum	121	✓	✓	✓	✓	✓	✓
Buff	624	✓	✓		✓		
Burgundy	653	✓	✓	✓	✓		
Cameo	607	✓	✓	✓	✓		
Canary Yellow	009			✓	✓		
Char Brown	062	✓	✓	✓	✓	✓	✓
Coconut	630	✓	✓	✓	✓		
Creamy Beige	670	✓	✓		✓	✓	✓
Crystal White	629	✓	✓	✓	✓	✓	
Desert Sand	625	✓	✓	✓	✓		
Fawn	031	✓	✓	✓	✓	✓	
Fawn Pearl	327		✓	✓	✓	✓	
Flax	541	✓	✓	✓	✓	✓	
Forest Shadow	087	✓	✓		✓		
Granite	044	✓	✓		✓		
Gray Dawn	405		✓		✓		
Gray Haze	983	✓	✓		✓	✓	✓
Greige	122	✓	✓		✓	✓	✓
Hunter Green	154		✓	✓	✓		✓
Ice	778	✓	✓		✓		
Lamplight	904	✓	✓	✓	✓		✓
Lavender Lace	024			✓	✓		
Little Boy Blue	090			✓	✓		
Magnet	648		✓		✓		
Matte White	042	✓	✓		✓	✓	
Mercury	771		✓		✓		
Midnight Blue	057		✓		✓		
Milk Chocolate	060	✓	✓	✓	✓	✓	
Navajo White	376		✓		✓		
Parchment	535	✓	✓		✓	✓	
Pitch Black	033	✓	✓		✓	✓	
Polished Aluminum	741	✓	✓	✓	✓		✓
Princess Pink	023			✓	✓		
Raw Umber	006	✓	✓		✓	✓	✓
Real Red	085	✓	✓	✓	✓		
Rock Gray	399		✓		✓		
Silver	737	✓	✓		✓		
Skyline	680		✓		✓		
Smokey Gray	026	✓	✓		✓	✓	
Snowcap White	386	✓	✓	✓	✓		✓
Stucco	963	✓	✓		✓		✓
Tender Taupe	103		✓		✓		
True Blue	089	✓	✓	✓	✓		
True White	544	✓	✓	✓	✓	✓	✓
U.N. Gray	095	✓	✓		✓		
Vanilla	100	✓	✓	✓	✓	✓	
White Gloss	005	✓	✓		✓	✓	✓
White Pearl	637		✓	✓	✓		
White Satin	205	✓	✓		✓	✓	✓

## General Information

### Color Coordination Charts: ½" (1.3 cm) and 1" (2.6 cm) Aluminum

Color Number	Color Name	Rail and Brackets	Ladders and Cord	Tassels and Endcaps
005	White Gloss	005	005	005
006	Raw Umber	006	033	006
009	Canary Yellow	009	009	009
011	Beige	011	103	011
023	Princess Pink	023	023	023
024	Lavender Lace	024	024	024
026	Smokey Gray	026	026	026
031	Fawn	031	031	031
033	Pitch Black	033	033	033
034	Aluminum	034	026	026
042	Matte White	042	112	112
044	Granite	044	814	825
057	Midnight Blue	057	008	008
060	Milk Chocolate	060	060	060
062	Char Brown	062	062	062
065	Almost White Gloss	065	112	112
085	Real Red	085	835	025
087	Forest Shadow	087	087	087
089	True Blue	089	089	089
090	Little Boy Blue	090	090	090
095	U.N. Gray	095	033	591
100	Vanilla	100	112	100
103	Tender Taupe	103	103	103
112	Alabaster	112	112	112
121	Brushed Aluminum	034	026	026
122	Greige	122	026	122
126	Ash Metallic	126	126	126
154	Hunter Green	154	154	117
205	White Satin	205	005	005
233	Black Satin	233	033	033
326	Alabaster Pearl	112	112	112
327	Fawn Pearl	031	031	031
328	Beige Pearl	011	103	011
375	Birch White	375	005	005
376	Navajo White	376	112	112
386	Snowcap White	386	005	005
399	Rock Gray	399	026	026
405	Gray Dawn	405	026	026
535	Parchment	535	004	004
541	Flax	541	112	112
544	True White	544	005	005
607	Cameo	670	031	356
624	Buff	624	031	031
625	Desert Sand	625	029	029
629	Crystal White	629	005	005
630	Coconut	630	112	112
637	White Pearl	205	005	005
648	Magnet	648	648	648
653	Burgundy	653	106	106
670	Creamy Beige	670	031	356
680	Skyline	680	591	591
724	Almond	724	004	004
737	Silver	737	026	114
741	Polished Aluminum	034	026	026
771	Mercury	771	026	026
778	Ice	778	778	778
904	Lamplight	904	031	031
963	Stucco	963	026	963
983	Gray Haze	983	026	026

## General Information

### Color Coordination Charts: 2" (5.1 cm) Grandeur™ Aluminum

Color Number	Color Name	Rail and Brackets	Ladders and Cord	Tilts	Tassels, Bottom Rail End Caps
005	White Gloss	205	005	White	005
006	Raw Umber	033	033	Black	006
062	Char Brown	062	062	Black	062
065	Almost White Gloss	112	112	White	112
112	Alabaster	112	112	White	112
121	Brushed Aluminum	034	026	Black	026
122	Greige	122	026	Black	122
126	Ash Metallic	126	126	Black	126
154	Hunter Green	154	154	Black	117
205	White Satin	205	005	White	005
233	Black Satin	233	033	Black	033
326	Alabaster Pearl	112	112	White	112
386	Snowcap White	386	005	White	005
544	True White	205	005	White	005
670	Creamy Beige	670	031	White	356
724	Almond	724	004	White	004
741	Polished Aluminum	034	026	Black	026
904	Lamplight	904	031	White	031
963	Stucco	963	026	White	963
983	Gray Haze	983	026	White	026

### Ladder Color Coordination: Dual Headrail

The Graber® Skylight Blind uses a specially constructed ladder designed for the interlacing of slats. The five ladder colors offered will coordinate with many slat colors.

**NOTE:** You may request a different ladder color.

Interlacing Ladder Color	Slat Color Examples					
	Color Name	Color Number	Color Name	Color Number	Color Name	Color Number
Char Brown #062	Char Brown	062	Milk Chocolate	060	Tender Taupe	103
	Granite	044	Raw Umber	006		
Smokey Gray #026	Aluminum	034	Greige	122	Skyline	680
	Black Satin	233	Pitch Black	033	Smokey Gray	026
	Brushed Aluminum	121	Polished Aluminum	741	Stucco	963
	Gray Dawn	405	Rock Gray	399	UN Gray	095
	Gray Haze	983	Silver	737		
Fawn #031	Buff	624	Desert Sand	625	Lamplight	904
	Cameo	607	Fawn	031		
	Creamy Beige	670	Fawn Pearl	327		
White Gloss #005	Burgundy	653	Magnet	648	True Blue	089
	Coconut	630	Mercury	771	True White	544
	Crystal White	629	Midnight Blue	057	White Gloss	005
	Forest Shadow	087	Navajo White	376	White Satin	205
	Hunter Green	154	Real Red	085	White Pearl	637
	Ice	778	Snowcap White	386		
Alabaster #112	Alabaster	112	Ash Metallic	126	Flax	541
	Alabaster Pearl	326	Beige	011	Matte White	042
	Almond	724	Beige Pearl	328	Parchment	535
	Almost White Gloss	065	Birch White	375	Vanilla	100

# General Information

## Stack Height Chart

Finished Blind Height inches (cm)	Cordless Supreme inches (cm)	Cordless Supreme Hidden Holes™ inches (cm)	Classics and Supreme inches (cm)	Supreme Hidden Holes inches (cm)	Insignia® inches (cm)	Supreme ½" (1.3 cm) Micro inches (cm)	2" (5.1 cm) Grandeur™ inches (cm)
10 (25.4)			2 (5.1)	2 (5.1)	1 <sup>3</sup> / <sub>16</sub> (4.7)	2 <sup>1</sup> / <sub>16</sub> (5.3)	3 <sup>3</sup> / <sub>8</sub> (8.6)
15 (38.1)	2 <sup>3</sup> / <sub>16</sub> (5.6)	2 <sup>1</sup> / <sub>8</sub> (5.4)	2 <sup>1</sup> / <sub>16</sub> (5.3)	2 <sup>1</sup> / <sub>8</sub> (5.4)	1 <sup>1</sup> / <sub>8</sub> (4.8)	2 <sup>1</sup> / <sub>4</sub> (5.8)	3 <sup>1</sup> / <sub>2</sub> (8.9)
20 (50.8)	2 <sup>1</sup> / <sub>4</sub> (5.8)	2 <sup>1</sup> / <sub>4</sub> (5.8)	2 <sup>3</sup> / <sub>16</sub> (5.6)	2 <sup>1</sup> / <sub>4</sub> (5.8)	2 (5.1)	2 <sup>7</sup> / <sub>16</sub> (6.2)	3 <sup>5</sup> / <sub>8</sub> (9.3)
25 (63.5)	2 <sup>3</sup> / <sub>8</sub> (6.1)	2 <sup>3</sup> / <sub>8</sub> (6.1)	2 <sup>1</sup> / <sub>4</sub> (5.8)	2 <sup>3</sup> / <sub>8</sub> (6.1)	2 <sup>1</sup> / <sub>8</sub> (5.4)	2 <sup>11</sup> / <sub>16</sub> (6.9)	3 <sup>1</sup> / <sub>16</sub> (9.4)
30 (76.2)	2 <sup>7</sup> / <sub>16</sub> (6.2)	2 <sup>1</sup> / <sub>2</sub> (6.4)	2 <sup>3</sup> / <sub>8</sub> (6.1)	2 <sup>1</sup> / <sub>2</sub> (6.4)	2 <sup>3</sup> / <sub>16</sub> (5.6)	2 <sup>1</sup> / <sub>2</sub> (7.4)	3 <sup>3</sup> / <sub>16</sub> (9.7)
35 (88.9)	2 <sup>9</sup> / <sub>16</sub> (6.6)	2 <sup>9</sup> / <sub>16</sub> (6.6)	2 <sup>1</sup> / <sub>2</sub> (6.4)	2 <sup>11</sup> / <sub>16</sub> (6.9)	2 <sup>3</sup> / <sub>8</sub> (5.9)	3 <sup>1</sup> / <sub>8</sub> (8.0)	3 <sup>15</sup> / <sub>16</sub> (10.1)
40 (101.6)	2 <sup>11</sup> / <sub>16</sub> (6.9)	2 <sup>7</sup> / <sub>16</sub> (6.2)	2 <sup>5</sup> / <sub>8</sub> (6.7)	2 <sup>13</sup> / <sub>16</sub> (7.2)	2 <sup>3</sup> / <sub>8</sub> (6.1)	3 <sup>1</sup> / <sub>4</sub> (8.3)	4 <sup>1</sup> / <sub>16</sub> (10.4)
45 (114.3)	2 <sup>3</sup> / <sub>4</sub> (7.0)	2 <sup>3</sup> / <sub>4</sub> (7.0)	2 <sup>3</sup> / <sub>4</sub> (7.0)	2 <sup>15</sup> / <sub>16</sub> (7.5)	2 <sup>1</sup> / <sub>2</sub> (6.4)	3 <sup>7</sup> / <sub>16</sub> (8.8)	4 <sup>3</sup> / <sub>16</sub> (10.7)
50 (127.0)	2 <sup>7</sup> / <sub>8</sub> (7.4)	2 <sup>7</sup> / <sub>8</sub> (7.4)	2 <sup>7</sup> / <sub>8</sub> (7.4)	3 <sup>1</sup> / <sub>8</sub> (7.8)	2 <sup>5</sup> / <sub>8</sub> (6.7)	3 <sup>11</sup> / <sub>16</sub> (9.4)	4 <sup>5</sup> / <sub>16</sub> (11.0)
55 (139.7)	3 (7.7)	3 (7.7)	3 (7.7)	3 <sup>1</sup> / <sub>4</sub> (8.3)	2 <sup>11</sup> / <sub>16</sub> (6.9)	3 <sup>3</sup> / <sub>8</sub> (9.9)	4 <sup>3</sup> / <sub>8</sub> (11.2)
60 (152.4)	3 <sup>1</sup> / <sub>16</sub> (7.7)	3 <sup>1</sup> / <sub>16</sub> (7.8)	3 <sup>1</sup> / <sub>8</sub> (8.0)	3 <sup>3</sup> / <sub>8</sub> (8.6)	2 <sup>13</sup> / <sub>16</sub> (7.2)	4 <sup>1</sup> / <sub>16</sub> (10.4)	4 <sup>1</sup> / <sub>2</sub> (11.5)
65 (165.1)	3 <sup>3</sup> / <sub>16</sub> (8.1)	3 <sup>3</sup> / <sub>16</sub> (8.1)	3 <sup>1</sup> / <sub>4</sub> (8.3)	3 <sup>1</sup> / <sub>2</sub> (8.9)	2 <sup>7</sup> / <sub>8</sub> (7.4)	4 <sup>7</sup> / <sub>16</sub> (11.3)	4 <sup>5</sup> / <sub>8</sub> (11.8)
70 (177.8)	3 <sup>1</sup> / <sub>4</sub> (8.3)	3 <sup>1</sup> / <sub>4</sub> (8.3)	3 <sup>3</sup> / <sub>8</sub> (8.6)	3 <sup>11</sup> / <sub>16</sub> (9.4)	3 (7.7)	4 <sup>1</sup> / <sub>2</sub> (11.5)	4 <sup>3</sup> / <sub>4</sub> (12.1)
75 (190.5)	3 <sup>3</sup> / <sub>8</sub> (8.6)		3 <sup>7</sup> / <sub>16</sub> (8.8)	3 <sup>13</sup> / <sub>16</sub> (9.7)	3 <sup>1</sup> / <sub>8</sub> (8.0)	4 <sup>11</sup> / <sub>16</sub> (12.0)	4 <sup>7</sup> / <sub>8</sub> (12.4)
80 (203.2)	3 <sup>1</sup> / <sub>2</sub> (8.9)		3 <sup>9</sup> / <sub>16</sub> (9.1)	3 <sup>15</sup> / <sub>16</sub> (10.1)	3 <sup>3</sup> / <sub>16</sub> (8.1)	4 <sup>3</sup> / <sub>8</sub> (12.4)	5 (12.7)
85 (215.9)			3 <sup>11</sup> / <sub>16</sub> (9.4)	4 <sup>1</sup> / <sub>16</sub> (10.4)	3 <sup>5</sup> / <sub>16</sub> (8.5)	5 <sup>1</sup> / <sub>8</sub> (13.1)	5 <sup>1</sup> / <sub>8</sub> (13.1)
90 (228.6)			3 <sup>13</sup> / <sub>16</sub> (9.7)	4 <sup>1</sup> / <sub>4</sub> (10.8)	3 <sup>3</sup> / <sub>8</sub> (8.6)	5 <sup>3</sup> / <sub>16</sub> (13.5)	5 <sup>1</sup> / <sub>4</sub> (13.4)
95 (241.3)			3 <sup>15</sup> / <sub>16</sub> (10.1)	4 <sup>3</sup> / <sub>8</sub> (11.2)	3 <sup>1</sup> / <sub>2</sub> (8.9)	5 <sup>1</sup> / <sub>2</sub> (14.0)	5 <sup>3</sup> / <sub>16</sub> (13.2)
100 (254.0)			4 <sup>1</sup> / <sub>16</sub> (10.4)	4 <sup>1</sup> / <sub>2</sub> (11.5)	3 <sup>5</sup> / <sub>8</sub> (9.3)	5 <sup>11</sup> / <sub>16</sub> (14.5)	5 <sup>7</sup> / <sub>16</sub> (13.9)
105 (266.7)			4 <sup>3</sup> / <sub>16</sub> (10.7)	4 <sup>3</sup> / <sub>8</sub> (11.8)	3 <sup>11</sup> / <sub>16</sub> (9.4)	5 <sup>1</sup> / <sub>8</sub> (15.0)	5 <sup>1</sup> / <sub>2</sub> (14.2)
110 (279.4)			4 <sup>5</sup> / <sub>16</sub> (11.0)	4 <sup>13</sup> / <sub>16</sub> (12.3)	3 <sup>13</sup> / <sub>16</sub> (9.7)	6 <sup>1</sup> / <sub>8</sub> (15.6)	5 <sup>11</sup> / <sub>16</sub> (14.5)
115 (292.1)			4 <sup>3</sup> / <sub>8</sub> (11.2)	4 <sup>15</sup> / <sub>16</sub> (12.6)	3 <sup>7</sup> / <sub>8</sub> (9.9)	6 <sup>3</sup> / <sub>16</sub> (16.1)	5 <sup>13</sup> / <sub>16</sub> (14.8)
120 (304.8)			4 <sup>1</sup> / <sub>2</sub> (11.5)	5 <sup>1</sup> / <sub>16</sub> (12.9)	4 (10.2)	6 <sup>1</sup> / <sub>2</sub> (16.6)	5 <sup>7</sup> / <sub>8</sub> (15.0)
125 (317.5)			4 <sup>5</sup> / <sub>8</sub> (11.8)	5 <sup>3</sup> / <sub>16</sub> (13.2)	4 <sup>1</sup> / <sub>8</sub> (10.5)		6 (15.3)

**NOTE:** Estimated finished blind heights include headrail and bottomrail.



# General Information

## Slat Route and Ladder Count

### Cordless Supreme

#### For Standard or Reverse Controls

Finished Blind Width inches (cm)	Slat End Route inches (cm)	# of Ladders	# of Lifts	# of Center Brackets
16 (40.7) to 17 <sup>15</sup> / <sub>16</sub> (45.6)	5 <sup>1</sup> / <sub>2</sub> (14.0)	2	2	2
18 (45.8) to 20 <sup>15</sup> / <sub>16</sub> (53.2)	6 (15.3)	2	2	2
21 (53.4) to 37 (94.0)	6 <sup>1</sup> / <sub>2</sub> (16.6)	2	2	2
37 (94.0) to 61 (155.0)	6 <sup>1</sup> / <sub>2</sub> (16.6)	3	2	2, 3 over 42" (106.7 cm)
61 (155.0) to 85 (215.9)	6 <sup>1</sup> / <sub>2</sub> (16.6)	4	4	3, 4 over 72" (182.9 cm)
85 (215.9) to 109 (276.9)	6 <sup>1</sup> / <sub>2</sub> (16.6)	5	4	4, 5 over 102" (259.1 cm)

#### NOTES:

1. Maximum spacing between ladders is 24" (61.0 cm).
2. Standard control position: tilt left.

### Supreme with Side Mount Brackets

#### For Standard or Reverse Controls

Finished Blind Width inches (cm)	Slat End Route inches (cm)	# of Ladders	# of Lifts
7 <sup>1</sup> / <sub>2</sub> (19.1) to 8 <sup>15</sup> / <sub>16</sub> (22.8)	2 (5.1)	2	2
9 (22.9) to 11 <sup>15</sup> / <sub>16</sub> (30.4)	3 (7.7)	2	2
12 (30.5) to 20 <sup>15</sup> / <sub>16</sub> (53.2)	4 (10.2)	2	2
21 (53.4) to 37 (94.0)	6 <sup>1</sup> / <sub>2</sub> (16.6)	2	2
37 <sup>1</sup> / <sub>16</sub> (94.2) to 60 (152.4)	6 <sup>1</sup> / <sub>2</sub> (16.6)	3	2

#### For Same Side Controls

12 (30.5) to 20 <sup>15</sup> / <sub>16</sub> (53.2)	4 (10.2)	As above	As above
21 (53.4) to 60 (152.4)	6 <sup>1</sup> / <sub>2</sub> (16.6)	As above	As above

#### NOTES:

1. Maximum spacing between ladders is 24" (61.0 cm).
2. Standard control positions: lift right/tilt left.
3. Maximum spacing for using side mount brackets is 60" (152.4 cm).

### Supreme

#### Standard and Hidden Holes™ Option

Finished Blind Width inches (cm)	Slat End Route inches (cm)	# of Ladders	# of Lifts	# of Center Brackets
5 <sup>1</sup> / <sub>2</sub> (14.0) to 6 <sup>15</sup> / <sub>16</sub> (17.7)	1 <sup>1</sup> / <sub>2</sub> (3.9)	2	2	2
7 (17.8) to 8 <sup>15</sup> / <sub>16</sub> (22.8)	2 (5.1)	2	2	2
9 (22.9) to 11 <sup>15</sup> / <sub>16</sub> (30.4)	3 (7.7)	2	2	2
12 (30.5) to 20 <sup>15</sup> / <sub>16</sub> (53.2)	4 (10.2)	2	2	2
21 (53.4) to 37 (94.0)	6 <sup>1</sup> / <sub>2</sub> (16.6)	2	2	2
37 <sup>1</sup> / <sub>16</sub> (94.2) to 61 (155.0)	6 <sup>1</sup> / <sub>2</sub> (16.6)	3	2	2, 3 over 60" (152.4 cm) FBW
61 <sup>1</sup> / <sub>16</sub> (155.1) to 85 (215.9)	6 <sup>1</sup> / <sub>2</sub> (16.6)	4	4	3, 4 over 96" (243.9 cm) FBW
85 <sup>1</sup> / <sub>16</sub> (216.1) to 109 (276.9)	6 <sup>1</sup> / <sub>2</sub> (16.6)	5	4	4
109 <sup>1</sup> / <sub>16</sub> (277.1) to 133 (337.9)	6 <sup>1</sup> / <sub>2</sub> (16.6)	6	4	4
133 <sup>1</sup> / <sub>16</sub> (338.0) to 142 (360.7)	6 <sup>1</sup> / <sub>2</sub> (16.6)	7	4	4

#### For Same Side Controls

11 <sup>15</sup> / <sub>16</sub> (30.4) to 20 <sup>15</sup> / <sub>16</sub> (53.2)	4 (10.2)	As above	As above	As above
21 (53.4) to 142 <sup>15</sup> / <sub>16</sub> (360.7)	6 <sup>1</sup> / <sub>2</sub> (16.6)	As above	As above	As above

#### NOTES:

1. Maximum spacing between ladders is 24" (61.0 cm).
2. Standard control positions: lift right/tilt left.
3. Maximum slat width is 142" (360.7 cm). Wider blinds must be multiple stack.

### Classics

#### For Standard or Reverse Controls

Finished Blind Width inches (cm)	Slat End Route inches (cm)	# of Ladders	# of Lifts	# of Center Brackets
5 <sup>1</sup> / <sub>2</sub> (14.0) to 6 <sup>15</sup> / <sub>16</sub> (17.7)	1 <sup>1</sup> / <sub>16</sub> (4.3)	2	2	0
7 (17.8) to 8 <sup>15</sup> / <sub>16</sub> (22.8)	2 (5.1)	2	2	0
9 (22.9) to 11 <sup>15</sup> / <sub>16</sub> (30.4)	3 <sup>1</sup> / <sub>4</sub> (8.3)	2	2	0
12 (30.5) to 20 <sup>15</sup> / <sub>16</sub> (50.8)	4 (10.2)	2	2	0
21 (53.4) to 37 (94.0)	6 <sup>1</sup> / <sub>2</sub> (16.6)	2	2	0
37 <sup>1</sup> / <sub>16</sub> (94.2) to 61 (155.0)	6 <sup>1</sup> / <sub>2</sub> (16.6)	3	2	1 over 60" (152.4 cm) FBW
61 <sup>1</sup> / <sub>16</sub> (155.1) to 85 (215.9)	6 <sup>1</sup> / <sub>2</sub> (16.6)	4	4	1
85 <sup>1</sup> / <sub>16</sub> (216.1) to 109 (276.9)	6 <sup>1</sup> / <sub>2</sub> (16.6)	5	4	2 over 96" (243.9 cm) FBW
109 <sup>1</sup> / <sub>16</sub> (277.1) to 133 (337.9)	6 <sup>1</sup> / <sub>2</sub> (16.6)	6	4	2
133 <sup>1</sup> / <sub>16</sub> (338.0) to 143 <sup>3</sup> / <sub>4</sub> (365.2)	6 <sup>1</sup> / <sub>2</sub> (16.6)	7	4	2

#### For Same Side Controls

11 <sup>15</sup> / <sub>16</sub> (30.4) to 20 <sup>15</sup> / <sub>16</sub> (53.2)	4 (10.2)	As above	As above	As above
21 (53.4) to 142 <sup>15</sup> / <sub>16</sub> (360.7)	6 <sup>1</sup> / <sub>2</sub> (16.6)	As above	As above	As above

#### NOTES:

1. Maximum spacing between ladders is 24" (61.0 cm).
2. Standard control position: lift right/tilt left.



# General Information

## Slat Route and Ladder Count

### Insignia®

#### For Standard or Reverse Controls

Finished Blind Width inches (cm)	Slat End Route inches (cm)	# of Ladders	# of Lifts	# of Center Brackets
5½ (14.0) to 8½ (22.8)	1½ (3.9)	2	2	0
9 (22.9) to 11½ (30.4)	3 (7.7)	2	2	0
12 (30.5) to 20½ (53.2)	4 (10.2)	2	2	0
21 (53.4) to 37 (94.0)	6½ (16.6)	2	2	0
37½ (94.2) to 61 (155.0)	6½ (16.6)	3	2	1 over 48" (122.0 cm) FBW
61½ (155.1) to 85 (215.9)	6½ (16.6)	4	4	1
85½ (216.1) to 109 (279.9)	6½ (16.6)	5	4	2 over 96" (243.9 cm) FBW
109½ (277.1) to 120 (304.8)	6½ (16.6)	6	4	2

#### For Same Side Controls

11½ (30.4) to 20½ (53.2)	4 (10.2)	As above	As above	As above
21 (53.4) to 120 (304.8)	6½ (16.6)	As above	As above	As above

#### NOTES:

- Maximum spacing between ladders is 24" (61.0 cm).
- Standard control positions: lift right/tilt left.

### Micro Supreme with Side Mount Brackets

#### For Standard or Reverse Controls

Finished Blind Width inches (cm)	Slat End Route inches (cm)	# of Ladders	# of Lifts
7½ (19.1) to 8½ (22.8)	2 (5.1)	2	2
9 (22.9) to 11½ (30.4)	3 (7.7)	2	2
12 (30.5) to 22 (55.9)	4 (10.2)	2	2
22½ (56.1) to 36 (91.5)	4 (10.2)	3	2
36½ (91.6) to 50 (127.0)	4 (10.2)	4	2
50½ (127.2) to 60 (152.4)	4 (10.2)	5	4

#### For Same Side Controls

12 (30.5) to 22 (55.9)	4 (10.2)	2	2
22½ (56.1) to 36 (91.5)	4 (10.2)	3	2
36½ (91.6) to 50 (127.0)	4 (10.2)	4	2
50½ (127.2) to 60 (152.4)	4 (10.2)	5	4

#### NOTES:

- Maximum spacing between ladders is 14" (35.6 cm).
- Standard control positions: lift right/tilt left.
- Maximum FBW for side mount brackets is 60" (152.4 cm).

### Micro Supreme

#### For Standard or Reverse Controls

Finished Blind Width inches (cm)	Slat End Route inches (cm)	# of Ladders	# of Lifts	# of Center Brackets
5½ (14.0) to 6½ (17.7)	1½ (3.9)	2	2	2
7 (17.8) to 8½ (22.8)	2 (5.1)	2	2	2
9 (22.9) to 11½ (30.4)	3 (7.7)	2	2	2
12 (30.5) to 22 (55.9)	4 (10.2)	2	2	2
22½ (56.1) to 36 (91.5)	4 (10.2)	3	2	2
36½ (91.6) to 50 (127.0)	4 (10.2)	4	2	2
50½ (127.2) to 64 (162.6)	4 (10.2)	5	4	3 over 60" (152.4 cm) FBW
64½ (162.8) to 78 (198.2)	4 (10.2)	6	4	3
78½ (198.3) to 92 (233.7)	4 (10.2)	7	4	4
92½ (233.9) to 106 (269.3)	4 (10.2)	8	4	4
106½ (269.4) to 120 (304.8)	4 (10.2)	9	4	4

#### For Same Side Controls

12 (30.5) to 120 (304.8)	4 (10.2)	As above	As above	As above
--------------------------	----------	-------------	-------------	----------

#### NOTES:

- Maximum spacing between ladders is 14" (35.6 cm).
- Standard blinds: standard control positions: lift right/tilt left.

### Grandeur™ 2" (5.1 cm) Aluminum

#### For Standard or Reverse Controls

Finished Blind Width inches (cm)	Slat End Route inches (cm)	# of Ladders	# of Lifts	# of Center Brackets
9 (22.9) to 10 (25.4) on cord tilt only	2½ (6.1)	2	2	0
9 (22.9) to 11½ (30.4)	2½ (6.1)	2	2	0
12 (30.5) to 24 (61.0)	4 (10.2)	2	2	0
24½ (61.2) to 36 (91.5)	6 (15.3)	2	2	0
36½ (91.6) to 60 (152.4)	6 (15.3)	3	2	1 over 48" (122.0 cm) FBW
60½ (152.6) to 84 (213.4)	6 (15.3)	4	4	2 over 72" (182.9 cm) FBW
84½ (213.6) to 108 (274.4)	6 (15.3)	5	4	2
108½ (274.5) to 132 (335.3)	6 (15.3)	6	4	3
132½ (335.5) to 142 (360.7)	6 (15.3)	7	4	4

#### For Same Side Controls

16½ (40.8) to 36 (91.5)	6 (15.3)	2	2	0
36½ (91.6) to 60 (152.4)	6 (15.3)	3	2	1 over 48" (122.0 cm) FBW
60½ (152.6) to 84 (213.4)	6 (15.3)	4	4	2 over 72" (182.9 cm) FBW
84½ (213.6) to 108 (274.4)	6 (15.3)	5	4	2
108½ (274.5) to 132 (335.3)	6 (15.3)	6	4	3
132½ (335.5) to 142 (360.7)	6 (15.3)	7	4	4

#### NOTES:

- Maximum spacing between ladders is 24" (61.0 cm).
- Standard control position: lift right/tilt left.
- Maximum headrail width for multiple stack blinds is 142" (360.7 cm). Maximum slat width is 142" (360.7 cm).

# General Information

## 1/2" (1.3 cm) Micro Supreme and 1" (2.6 cm) Supreme Product Detail

### Projection Brackets (optional)

- Available in 3/8" (1.0 cm), 1 1/4" (4.5 cm), 2 3/4" (7.0 cm), and 4 3/4" (12.1 cm) sizes
- Outside mount only

### Hidden Headrail Brackets

- Stable, easy to install
- Reduces light gap

### No Valance Headrail

- Cleaner, smoother appearance
- Light-blocking lip eliminates light gap between headrail and top slat

### Color Coordinated End Caps

- Provide a custom finished look

### Side Mount Brackets (optional)

### Clutch Wand Tilt

- Releases to prevent tilt damage

### Bottomrail Bumper Pads

- Provide cushioning and prevent blind from rattling and scratching window sill
- Not available on Micro Supreme

### Precision Rollers

- Require less effort to raise blinds

### Crash-Proof Cord Lock

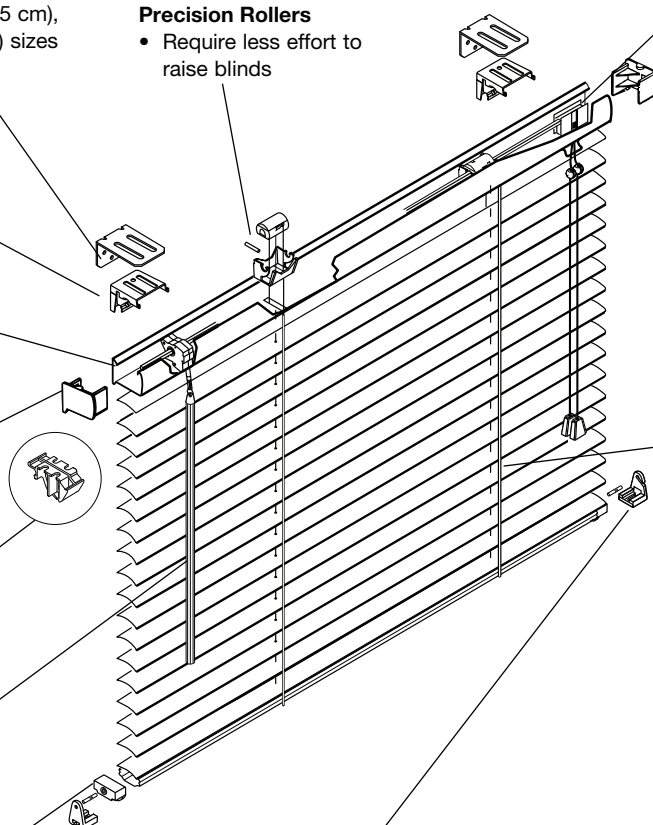
- Prevents blind and/or sill damage

### Tighter Ladder Spacing

- More slats per foot for greater light-blocking ability

### Hold Down Brackets (optional)

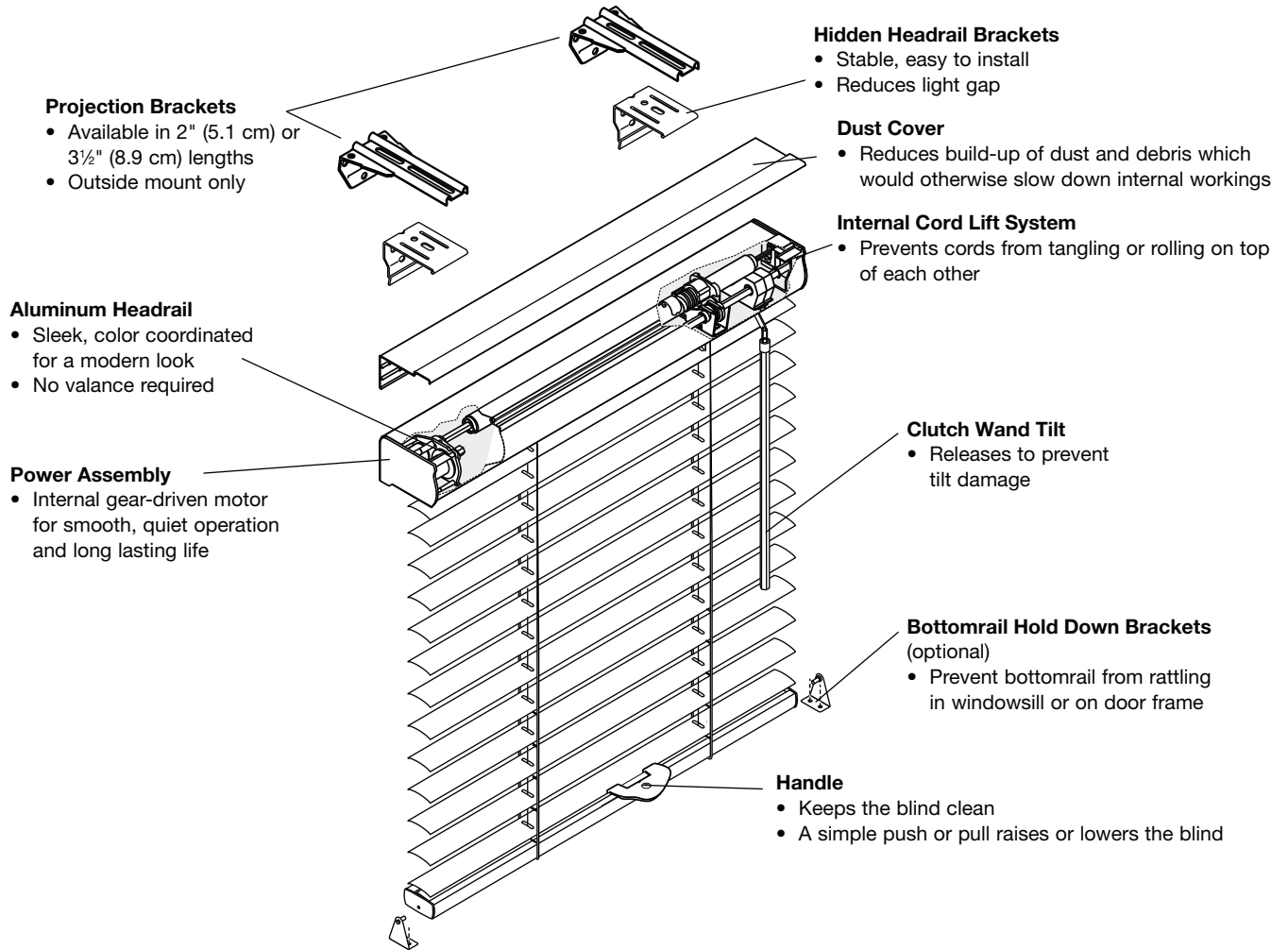
- Secure blind to wall, door, or window sill



# General Information

## 1" (2.6 cm) Cordless Supreme Product Detail

Cordless lift blinds are the safest window blind alternative; ideal for homes with children and pets. Elimination of lift cords and cord loops provides a more attractive appearance.



# General Information

## 1" (2.6 cm) Classics Product Detail

### Projection Brackets

- Available in short 1¾" (4.4 cm), medium 2¾" (7.0 cm), or long 4¾" (12.1 cm) lengths
- Outside mount only

### Box Brackets

- Make it a snap to install

### Crash-Proof Cordlock

- Prevent sill damage

### Two-Slat Valance

- Provides a more finished look

### Clutch Wand Tilt

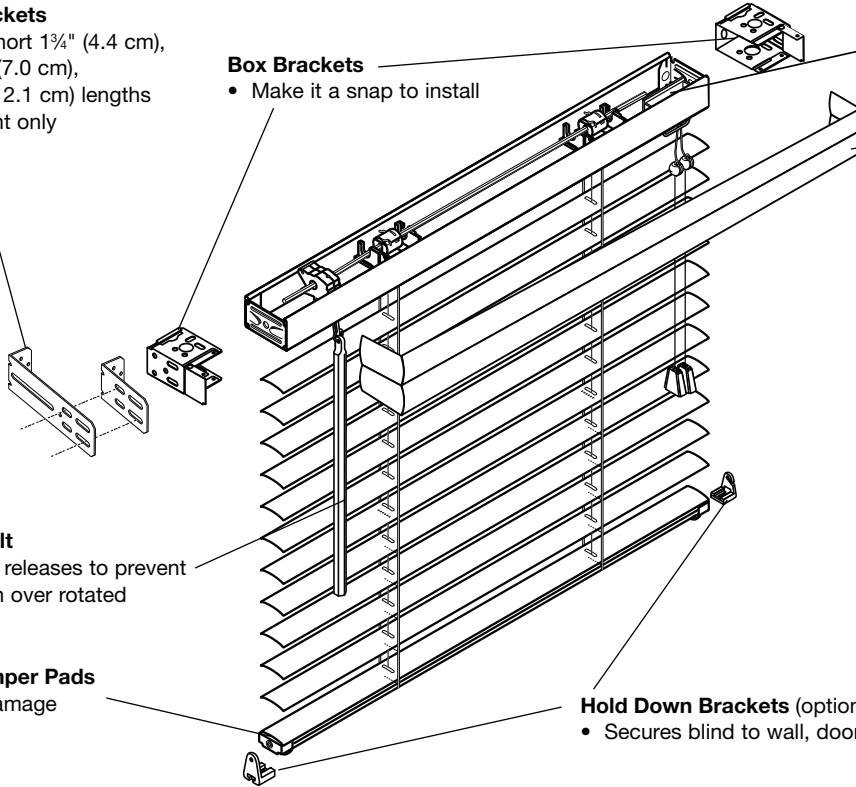
- Automatically releases to prevent damage when over rotated

### Bottomrail Bumper Pads

- Prevent sill damage

### Hold Down Brackets (optional)

- Secures blind to wall, door, or window sill



# General Information

## 1" (2.6 cm) Insignia® Product Detail

### Projection Brackets

- Available in short 1¾" (4.4 cm), medium 2¾" (7.0 cm), or long 4¾" (12.1 cm) lengths
- Outside mount only

### Box Brackets

- Make it a snap to install

### Crash-Proof Cordlock

- Prevent sill damage

### Two-Slat Valance

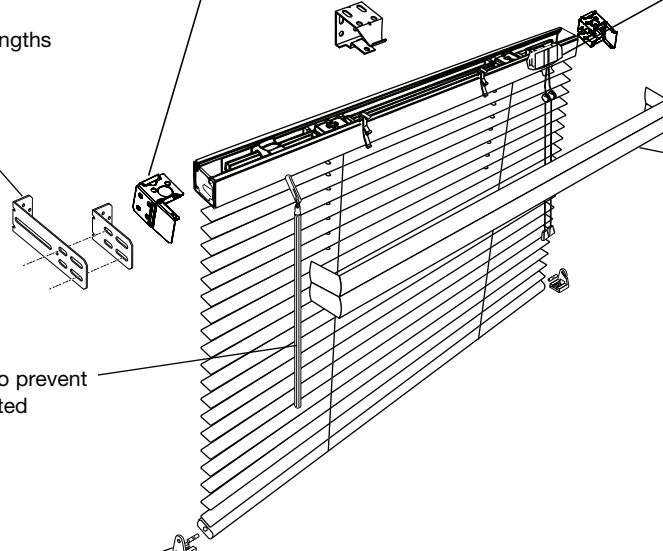
- Provides a more finished look

### Clutch Wand Tilt

- Automatically releases to prevent damage when over rotated

### Hold Down Brackets (optional)

- Secures blind to wall, door, or window sill



## 2" (5.1 cm) Grandeur™ Product Detail

### Patented SureClose™ Headrail

- Provides tightest closure for superior privacy and light control
- Light-blocking lip eliminates light gap between headrail and top slat
- Lower profile is less obtrusive

### Mounting Brackets

- Designed for easy installation

### Crash-Proof Cordlock

- Prevents blind and/or sill damage

### Deluxe Channel Panel Valance

- Provides a sleek, finished appearance
- Standard valance return size is 3½" (8.0 cm)

### Projection Brackets

- Available in medium 2¾" (7.0 cm) or long 4¾" (12.1 cm) lengths
- Outside mount only

### Color Coordinated Cord Tilt

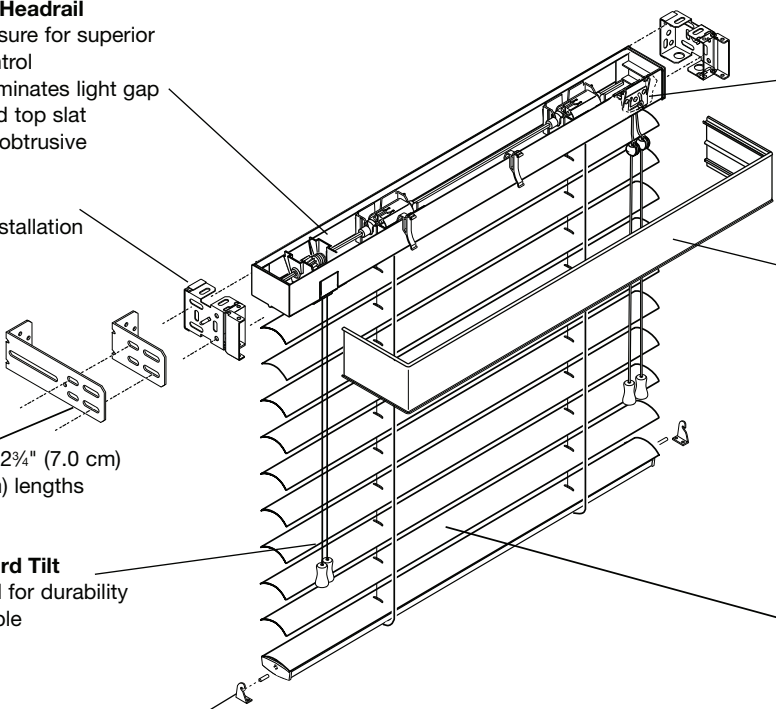
- Precision engineered for durability
- Wand tilt also available

### .008 Gauge Dust-Repellent Slats

- Manufactured from heavy-duty aluminum
- Harder surface is less porous and more stain and scratch resistant

### Hold Down Brackets (optional)

- Secures blind to wall, door, or window sill





# Price Charts

## Price Group A: 1" (2.6 cm) Cordless Supreme

### 1" (2.6 cm) Slats .006 Gauge

Height up to inches (cm) ↓	Width up to inches (cm) →																			
	23 (58.5)	26 (66.1)	29 (73.7)	32 (81.3)	36 (91.5)	40 (101.6)	44 (111.8)	48 (122.0)	52 (132.1)	57 (144.8)	62 (157.5)	67 (170.2)	72 (182.9)	82 (208.3)	92 (233.7)	102 (259.1)	112 (284.5)	122 (309.9)	132 (335.3)	144 (365.8)
42 (106.7)	\$158	163	168	183	190	203	217	227	239	256	265	282	296	351	377	414	439	468	528	552
48 (122.0)	161	167	181	190	202	212	226	240	252	271	284	300	313	370	404	437	463	498	558	588
54 (137.2)	165	180	187	194	209	223	236	250	260	287	302	314	334	391	425	460	493	525	588	621
60 (152.4)	176	186	191	208	220	231	247	260	274	301	314	334	347	409	443	488	520	554	618	652
66 (167.7)	181	190	205	217	226	243	256	272	292	312	329	344	367	428	462	512	544	583	652	689
72 (182.9)	186	198	210	221	239	252	268	290	302	327	344	363	388	448	490	534	573	616	681	720
78 (198.2)	194	205	217	226	246	261	281	301	313	340	360	384	402	473						
84 (213.4)	203	212	223	239	257	272	294	308	327	359	378	398	417							

### Surcharge: Hidden Holes™

Hidden Holes Surcharge	\$8	8	8	9	11	12	12	13	13	16	16	17	19	23	24	29	30	33	36	37

Hidden Holes only available in sizes above the heavy line.  
 Maximum Size: Cordless lift: 6,400 square inches (4.2 m<sup>2</sup>)  
 Cordless lift with Hidden Holes:  
 5,900 square inches (3.8 m<sup>2</sup>)

Multiple Blinds on One Headrail:  
 Blinds less than 96" (243.9 cm): add surcharge: \$47 two on one headrail  
 \$65 three on one headrail  
 Blind widths 96" (243.9 cm) to 144" (365.8 cm): no charge

### 1" (2.6 cm) Slats .008 Gauge

Height up to inches (cm) ↓	Width up to inches (cm) →																			
	23 (58.5)	26 (66.1)	29 (73.7)	32 (81.3)	36 (91.5)	40 (101.6)	44 (111.8)	48 (122.0)	52 (132.1)	57 (144.8)	62 (157.5)	67 (170.2)	72 (182.9)	82 (208.3)	92 (233.7)	102 (259.1)	112 (284.5)	122 (309.9)	132 (335.3)	144 (365.8)
42 (106.7)	\$165	168	176	193	200	212	231	242	252	269	282	300	313	370	401	439	467	498	561	583
48 (122.0)	166	175	191	200	212	225	241	253	266	290	302	318	334	395	428	464	493	529	593	624
54 (137.2)	173	190	197	204	223	237	248	264	274	304	321	336	356	413	454	492	524	560	625	662
60 (152.4)	188	196	201	220	233	244	262	274	293	320	336	356	370	436	472	519	555	592	660	694
66 (167.7)	191	200	217	230	242	258	270	291	308	334	353	367	394	456	495	548	580	626	696	735
72 (182.9)	195	208	223	235	254	266	287	306	321	351	367	389	414	477	522	572	614	661	729	769
78 (198.2)	204	219	230	242	262	276	299	320	335	362	386	410	428	506						
84 (213.4)	213	224	239	254	272	293	312	328	352	384	405	424	448							

### Surcharge: Hidden Holes

Hidden Holes Surcharge	\$8	8	8	9	11	12	12	13	13	16	16	17	19	23	24	29	30	33	36	37

Hidden Holes only available in sizes above the heavy line.  
 Maximum Size: Cordless lift: 6,400 square inches (4.2 m<sup>2</sup>)  
 Cordless lift with Hidden Holes:  
 5,900 square inches (3.8 m<sup>2</sup>)

Multiple Blinds on One Headrail:  
 Blinds less than 96" (243.9 cm): add surcharge: \$47 two on one headrail  
 \$65 three on one headrail  
 Blind widths 96" (243.9 cm) to 144" (365.8 cm): no charge

## Colors

Alabaster . . . . .	112	Coconut. . . . .	630	Milk Chocolate . . . . .	060	<b>Premium Colors</b>	
Almost White Gloss. . . . .	065	Crystal White. . . . .	629	Princess Pink. . . . .	023	<b>(10% Surcharge)</b>	
Aluminum . . . . .	034	Desert Sand. . . . .	625	Real Red . . . . .	085	Alabaster Pearl . . . . .	326
Beige. . . . .	011	Fawn . . . . .	031	Snowcap White. . . . .	386	Beige Pearl . . . . .	328
Black Satin . . . . .	233	Flax . . . . .	541	True Blue . . . . .	089	Brushed Aluminum . . . . .	121
Burgundy. . . . .	653	Hunter Green. . . . .	154	True White . . . . .	544	Fawn Pearl. . . . .	327
Cameo. . . . .	607	Lamplight. . . . .	904	Vanilla . . . . .	100	Polished Aluminum . . . . .	741
Canary Yellow . . . . .	009	Lavender Lace. . . . .	024			White Pearl . . . . .	637
Char Brown . . . . .	062	Little Boy Blue. . . . .	090				







# Price Charts

## Price Group D: 1" (2.6 cm) Insignia®

### 1" (2.6 cm) Slats .006 Gauge

Height up to inches (cm) ↓	Width up to inches (cm) →																									
	12 (30.5)	23 (58.5)	26 (66.1)	29 (73.7)	32 (81.3)	36 (91.5)	40 (101.6)	44 (111.8)	48 (122.0)	52 (132.1)	57 (144.8)	62 (157.5)	67 (170.2)	72 (182.9)	82 (208.3)	92 (233.7)	102 (259.1)	112 (284.5)	120 (304.8)	130 (330.2)	140 (355.6)	150 (381.0)	160 (406.4)	170 (431.8)	180 (457.2)	192 (487.7)
42 (106.7)	\$84	67	71	79	85	95	101	106	111	123	140	146	159	165	186	206	234	253	275	299	321	345	368	391	414	437
48 (122.0)	89	71	79	86	94	102	109	117	124	133	152	162	170	183	206	228	256	276	306	330	356	381	407	431	457	482
54 (137.2)	96	79	86	94	98	109	117	128	138	145	163	174	186	201	223	248	279	304	328	358	388	417	447	476	505	534
60 (152.4)	102	86	94	98	105	117	128	140	146	159	177	188	204	213	243	267	304	326	359	391	422	454	486	517	549	580
66 (167.7)	106	91	98	105	111	128	140	146	161	169	190	205	217	233	260	288	323	352	384	417	451	485	518	552	585	619
72 (182.9)	110	95	103	110	118	136	146	159	169	179	205	219	233	248	279	308	347	377	413	449	485	520	556	592	627	663
78 (198.2)	116	101	109	117	128	145	156	167	179	194	217	233	248	263	297	328	368	399	437	475	513	551	589	626	664	702
84 (213.4)	121	106	113	124	138	152	163	179	190	205	233	247	263	279	316	347	391	426	465	505	546	585	625	665	705	745
90 (228.6)	126	110	123	133	144	161	174	188	204	216	243	260	276	297	335	366	414	451	492	533	575	618	660	702	744	785
96 (243.9)	135	117	128	141	152	169	183	201	212	231	256	273	292	311	352	390	437	476	518	561	604	647	691	733	776	819
102 (259.1)	140	123	136	146	159	177	194	208	223	239	271	288	308	326	368	413	459	501	548	594	640	686	732	778	825	871
108 (274.4)	145	129	141	153	165	185	204	219	237	253	281	304	323	343	390	432	486	525	570	618	665	712	760	807	854	902
114 (289.6)	149	133	148	162	173	197	212	233	248	267	292	316	340	357	406	450	502	550	597	645	694	742	791	838	886	935
120 (304.8)	155	140	154	169	183	205	220	243	258	279	307	330	353	371	421	467	523	572	622	673	725	776	828	879	931	982
126 (320.1)	160	144	163	177	194	213	233	253	269	290	318	345	366	386	437	486	541	597	647	702	757	811	866	920	975	1029

**NOTE:** Smallest width available 5½" (14.0 cm) exact.  
Widths from 5½" (14.0 cm) to 8⅝" (22.8 cm) are center tilt only.

Multiple Blinds on One Headrail:  
Blinds less than 120" (304.8 cm): add surcharge: \$47 two on one headrail  
\$65 three on one headrail  
Blind widths 120" (304.8 cm) to 192" (487.7 cm): no charge

## Colors

Alabaster . . . . .	112	Fawn . . . . .	031	Real Red . . . . .	085	<b>Premium Colors (10% Surcharge)</b> Brushed Aluminum . . . . . 121 Polished Aluminum . . . . . 741
Almost White Gloss . . . . .	065	Flax . . . . .	541	Silver . . . . .	737	
Aluminum . . . . .	034	Forest Shadow . . . . .	087	Smokey Gray . . . . .	026	
Beige . . . . .	011	Granite . . . . .	044	Snowcap White . . . . .	386	
Black Satin . . . . .	233	Gray Haze . . . . .	983	Stucco . . . . .	963	
Buff . . . . .	624	Greige . . . . .	122	True Blue . . . . .	089	
Burgundy . . . . .	653	Ice . . . . .	778	True White . . . . .	544	
Cameo . . . . .	607	Lamplight . . . . .	904	U.N. Gray . . . . .	095	
Char Brown . . . . .	062	Matte White . . . . .	042	Vanilla . . . . .	100	
Coconut . . . . .	630	Milk Chocolate . . . . .	060	White Gloss . . . . .	005	
Creamy Beige . . . . .	670	Parchment . . . . .	535	White Satin . . . . .	205	
Crystal White . . . . .	629	Pitch Black . . . . .	033			
Desert Sand . . . . .	625	Raw Umber . . . . .	006			

# Price Charts

## Price Group E: 1/2" (1.3 cm) Micro Supreme

### 1/2" (1.3 cm) Micro Supreme Blinds

Height up to inches (cm) ↓	Width up to inches (cm) →																									
	12 (30.5)	23 (58.5)	26 (66.1)	29 (73.7)	32 (81.3)	36 (91.5)	40 (101.6)	44 (111.8)	48 (122.0)	52 (132.1)	57 (144.8)	62 (157.5)	67 (170.2)	72 (182.9)	82 (208.3)	92 (233.7)	102 (259.1)	112 (284.5)	120 (304.8)	130 (330.2)	140 (355.6)	150 (381.0)	160 (406.4)	170 (431.8)	180 (457.2)	192 (487.7)
42 (106.7)	\$112	97	102	108	116	135	144	154	164	175	200	210	226	241	271	299	337	368	399	434	468	503	538	572	607	642
48 (122.0)	117	102	108	120	129	146	156	168	179	191	215	231	250	264	299	329	372	401	440	478	517	556	596	634	673	712
54 (137.2)	124	108	120	132	137	156	170	180	196	210	232	254	271	289	323	362	402	439	477	517	557	598	638	677	717	758
60 (152.4)	136	118	129	137	150	168	180	198	210	226	255	271	293	312	353	386	439	474	517	562	606	651	695	738	783	828
66 (167.7)	144	128	137	150	161	180	198	210	226	242	273	292	316	335	377	418	471	509	555	601	646	692	736	782	828	873
72 (182.9)	151	135	148	161	171	194	210	226	242	259	292	316	335	362	402	446	503	548	597	646	696	746	796	845	896	945
78 (198.2)	160	144	156	170	180	208	223	242	259	277	313	332	362	379	430	476	536	580	635	687	738	792	843	896	947	1000
84 (213.4)	169	152	166	179	196	215	232	258	273	293	329	354	379	402	457	504	568	619	675	732	791	847	905	962	1019	1077
90 (228.6)	177	161	175	190	207	226	254	268	292	311	349	374	401	429	483	533	604	655	713	771	830	888	947	1006	1063	1122
96 (243.9)	184	168	180	203	215	242	264	285	305	327	368	395	425	452	511	564	635	687	750	812	873	935	997	1058	1120	1182
102 (259.1)	194	176	194	210	226	255	277	297	321	342	389	412	446	474	536	593	665	726	792	856	921	985	1051	1116	1181	1246
108 (274.4)	201	183	203	218	238	267	292	316	339	362	402	435	469	499	564	623	698	762	828	897	965	1032	1101	1168	1236	1305

**NOTE:** Smallest width available 5 1/2" (14.0 cm) exact.  
Widths from 5 1/2" (14.0 cm) to 8 5/16" (22.8 cm) are center tilt only.

Multiple Blinds on One Headrail:  
Blinds less than 120" (304.8 cm): add surcharge: \$47 two on one headrail  
\$65 three on one headrail  
Blind widths 120" (304.8 cm) to 192" (487.7 cm): no charge

## Colors

Alabaster . . . . .	112	Fawn . . . . .	031	Pitch Black . . . . .	033	<b>Premium Colors (10% Surcharge)</b>		
Almost White Gloss . . . . .	065	Flax . . . . .	541	Raw Umber . . . . .	006			
Aluminum . . . . .	034	Gray Haze . . . . .	983	Smokey Gray . . . . .	026			
Beige . . . . .	011	Greige . . . . .	122	True White . . . . .	544			
Black Satin . . . . .	233	Lamplight . . . . .	904	Vanilla . . . . .	100			
Char Brown . . . . .	062	Matte White . . . . .	042	White Gloss . . . . .	005			
Creamy Beige . . . . .	670	Milk Chocolate . . . . .	060	White Satin . . . . .	205			
Crystal White . . . . .	629	Parchment . . . . .	535					
							Alabaster Pearl . . . . .	326
							Brushed Aluminum . . . . .	121
						Fawn Pearl . . . . .	327	

# Price Charts

## Price Group F: 2" (5.1 cm) Grandeur™

### 2" (5.1 cm) Slats

Height up to inches (cm) ↓	Width up to inches (cm) →																				
	12 (30.5)	23 (58.5)	26 (66.1)	29 (73.7)	32 (81.3)	36 (91.5)	40 (101.6)	44 (111.8)	48 (122.0)	52 (132.1)	57 (144.8)	62 (157.5)	67 (170.2)	72 (182.9)	82 (208.3)	92 (233.7)	102 (259.1)	112 (284.5)	122 (309.9)	132 (335.3)	142 (360.7)
42 (106.7)	\$115	100	105	112	121	139	148	159	168	183	206	217	236	247	276	309	347	375	408	441	468
48 (122.0)	120	105	112	126	136	151	164	173	187	201	223	240	257	272	309	337	379	412	452	482	512
54 (137.2)	129	112	126	136	145	164	173	189	204	214	243	263	276	295	333	369	414	452	491	526	563
60 (152.4)	143	125	136	145	156	173	189	206	217	238	264	278	302	318	361	396	452	488	533	568	608
66 (167.7)	148	132	144	156	168	189	206	217	239	252	282	303	322	346	389	429	482	522	569	612	653
72 (182.9)	156	141	153	166	176	202	216	238	252	268	303	326	346	369	414	459	514	563	612	655	700
78 (198.2)	164	148	164	173	189	214	233	249	268	287	322	346	369	392	443	488	548	599	652	700	746
84 (213.4)	173	157	169	187	204	223	243	265	282	303	344	368	392	414	471	515	580	634	690	742	788
90 (228.6)	183	166	183	198	212	239	263	277	302	320	361	389	412	439	499	548	616	672	728	784	837
96 (243.9)	190	173	189	208	223	252	272	295	316	342	379	407	435	463	524	577	652	709	770	824	885
102 (259.1)	202	185	202	216	238	264	287	310	333	357	402	430	459	488	550	612	680	746	814	873	929
108 (274.4)	207	190	209	224	247	274	302	326	351	375	417	452	482	510	577	643	717	778	851	915	976
114 (289.6)	217	202	217	239	257	290	316	344	368	392	439	471	506	534	608	672	751	818	893	959	1020
120 (304.8)	223	208	224	248	268	302	326	354	381	407	459	491	526	561	634	704	785	855	934	1001	1067
126 (320.1)	230	214	239	261	277	316	344	370	398	429	478	510	548	581	659	728	818	888	976	1041	1110

**NOTE:** Smallest width available 9" (22.9 cm) exact.  
Widths from 9" (22.9 cm) to 11<sup>15</sup>/<sub>16</sub>" (30.4 cm) are center tilt only.

Multiple Blinds on One Headrail Blinds less than 120" (304.8 cm):  
Add surcharge: \$47 two on one headrail  
\$65 three on one headrail  
Blind widths 120" (304.8 cm) to 142" (360.7 cm): No charge

### 2" (5.1 cm) Slats with Cloth Tapes

Height up to inches (cm) ↓	Width up to inches (cm) →																				
	12 (30.5)	23 (58.5)	26 (66.1)	29 (73.7)	32 (81.3)	36 (91.5)	40 (101.6)	44 (111.8)	48 (122.0)	52 (132.1)	57 (144.8)	62 (157.5)	67 (170.2)	72 (182.9)	82 (208.3)	92 (233.7)	102 (259.1)	112 (284.5)	122 (309.9)	132 (335.3)	142 (360.7)
42 (106.7)	\$133	115	120	130	140	159	170	183	194	210	237	250	271	284	318	355	399	431	469	507	539
48 (122.0)	139	120	130	146	156	173	189	200	214	232	257	275	296	313	355	388	437	474	519	555	589
54 (137.2)	148	130	146	156	166	189	200	217	235	247	279	303	318	339	383	424	476	519	564	605	648
60 (152.4)	164	144	156	166	180	200	217	237	250	273	304	320	347	366	415	455	519	561	613	654	699
66 (167.7)	170	151	165	180	194	217	237	250	274	290	323	349	370	398	447	494	555	601	655	704	751
72 (182.9)	180	162	176	191	203	233	249	273	290	308	349	375	398	424	476	528	592	648	704	753	805
78 (198.2)	189	170	189	200	217	247	267	287	308	329	370	398	424	451	509	561	630	689	750	805	858
84 (213.4)	200	181	195	214	235	257	279	305	323	349	396	423	451	476	542	593	667	729	793	853	907
90 (228.6)	210	191	210	227	244	274	303	319	347	368	415	447	474	505	573	630	709	773	837	902	963
96 (243.9)	218	200	217	240	257	290	313	339	364	393	437	468	500	532	603	664	750	815	885	948	1018
102 (259.1)	233	212	233	249	273	304	329	357	383	411	462	495	528	561	632	704	782	858	936	1004	1069
108 (274.4)	238	218	241	258	284	315	347	375	404	431	479	519	555	587	664	740	824	895	978	1053	1123
114 (289.6)	250	233	250	274	296	334	364	396	423	451	505	542	581	615	699	773	863	940	1026	1103	1173
120 (304.8)	257	240	258	285	308	347	375	407	439	468	528	564	605	646	729	810	904	983	1074	1151	1227
126 (320.1)	264	247	274	300	319	364	396	425	458	494	550	587	630	669	758	837	940	1022	1123	1197	1276

**NOTE:** Smallest width available 9" (22.9 cm) exact.  
Widths from 9" (22.9 cm) to 11<sup>15</sup>/<sub>16</sub>" (30.4 cm) are center tilt only.

Multiple Blinds on One Headrail Blinds less than 120" (304.8 cm):  
Add surcharge: \$47 two on one headrail  
\$65 three on one headrail  
Blind widths 120" (304.8 cm) to 142" (360.7 cm): No charge

## Colors

Alabaster . . . . .	112	Hunter Green . . . . .	154
Almond . . . . .	724	Lamplight . . . . .	904
Almost White Gloss . . . . .	065	Raw Umber . . . . .	006
Black Satin . . . . .	233	Snowcap White . . . . .	386
Char Brown . . . . .	062	Stucco . . . . .	963
Creamy Beige . . . . .	670	True White . . . . .	544
Gray Haze . . . . .	983	White Gloss . . . . .	005
Greige . . . . .	122	White Satin . . . . .	205

### Premium Colors (10% Surcharge)

Alabaster Pearl . . . . .	326
Ash Metallic . . . . .	126
Brushed Aluminum . . . . .	121
Polished Aluminum . . . . .	741

# Price Charts

## Price Group G: 1" (2.6 cm) Skylights

### Dual Headrail and Incline Wire Blinds .006 Gauge

Height up to inches (cm) ↓	Width up to inches (cm) →																				
	12 (30.5)	23 (58.5)	26 (66.1)	29 (73.7)	32 (81.3)	36 (91.5)	40 (101.6)	44 (111.8)	48 (122.0)	52 (132.1)	57 (144.8)	62 (157.5)	67 (170.2)	72 (182.9)	82 (208.3)	92 (233.7)	102 (259.1)	112 (284.5)	122 (309.9)	132 (335.3)	142 (360.7)
42 (106.7)	\$201	183	196	202	212	263	273	281	292	299	351	373	392	402	469	499	543	569	601	648	695
48 (122.0)	212	196	206	212	221	277	290	298	310	320	373	399	414	430	507	538	583	617	646	699	750
54 (137.2)	217	202	214	221	236	294	308	316	326	337	399	425	439	459	543	571	623	659	691	749	807
60 (152.4)	225	210	221	233	247	310	322	330	346	357	421	451	468	482	571	611	669	707	740	801	863
66 (167.7)	235	217	236	243	258	324	335	350	364	378	446	474	499	512	613	648	713	750	788	854	919
72 (182.9)	245	227	244	256	270	337	352	366	381	398	468	502	524	542	629	684	757	793	835	903	971
78 (198.2)	257	240	257	268	285	357	369	383	398	406	500	533	555	578	685	731	813	855	895	968	1040
84 (213.4)	263	247	264	276	294	366	383	403	417	432	512	550	574	599	713	760	836	885	930		
90 (228.6)	272	256	276	287	308	383	403	419	434	452	538	574	604	623	749	794	881	929	980		
96 (243.9)	279	263	285	296	317	399	417	434	452	471	563	601	629	652	781	833					
102 (259.1)	290	273	295	310	328	416	432	452	474	495	583	623	653	656	817	871					
108 (274.4)	295	278	303	317	339	429	448	469	491	510	608										
114 (289.6)	309	291	316	328	352																
120 (304.8)	316	298	322	337	365																
126 (320.1)	325	310	330	350	378																

Incline wire available only in sizes to the left of the dotted line.

Dual headrail available only in sizes above the heavy line.

### Dual Headrail and Incline Wire Blinds .008 Gauge

Height up to inches (cm) ↓	Width up to inches (cm) →																				
	12 (30.5)	23 (58.5)	26 (66.1)	29 (73.7)	32 (81.3)	36 (91.5)	40 (101.6)	44 (111.8)	48 (122.0)	52 (132.1)	57 (144.8)	62 (157.5)	67 (170.2)	72 (182.9)	82 (208.3)	92 (233.7)	102 (259.1)	112 (284.5)	122 (309.9)	132 (335.3)	142 (360.7)
42 (106.7)	\$217	202	214	220	233	290	299	310	322	329	386	412	430	443	515	548	599	627	660	713	765
48 (122.0)	230	214	225	233	244	308	318	328	342	351	412	439	456	474	559	592	643	679	711	769	825
54 (137.2)	238	220	236	244	260	324	335	347	360	372	439	467	483	506	599	629	686	724	761	824	886
60 (152.4)	248	230	244	257	270	342	356	365	379	394	462	496	514	530	629	672	736	776	814	881	950
66 (167.7)	256	240	260	268	283	357	369	385	399	416	491	522	548	564	675	713	784	825	869	938	1009
72 (182.9)	268	252	269	281	296	372	389	402	419	438	514	551	576	596	691	755	831	872	921	993	1069
78 (198.2)	281	264	282	294	314	394	406	422	438	448	550	587	609	638	756	807	893	940	986	1067	1144
84 (213.4)	287	270	291	303	324	402	422	444	459	476	564	605	632	657	784	835	922	973	1024		
90 (228.6)	297	281	303	316	335	422	444	460	477	497	592	632	664	686	824	873	969	1023	1077		
96 (243.9)	307	290	314	326	348	439	459	477	497	516	619	660	691	716	860	919					
102 (259.1)	316	299	325	342	361	457	476	497	522	543	643	686	719	721	897	958					
108 (274.4)	324	309	333	348	373	472	492	515	541	561	669										
114 (289.6)	336	320	347	361	389																
120 (304.8)	346	328	356	372	400																
126 (320.1)	358	342	365	385	416																

Incline wire available only in sizes to the left of the dotted line.

Dual headrail available only in sizes above the heavy line.

## Colors

Alabaster . . . . . 112	Flax . . . . . 541	Pitch Black . . . . . 033	<b>Premium Colors</b>
Almond . . . . . 724	Forest Shadow . . . . . 087	Raw Umber . . . . . 006	<b>(10% Surcharge)</b>
Almost White Gloss . . . . . 065	Granite . . . . . 044	Real Red . . . . . 085	Alabaster Pearl . . . . . 326
Aluminum . . . . . 034	Gray Dawn . . . . . 405	Rock Gray . . . . . 399	Ash Metallic . . . . . 126
Beige . . . . . 011	Gray Haze . . . . . 983	Silver . . . . . 737	Beige Pearl . . . . . 328
Birch White . . . . . 375	Greige . . . . . 122	Skyline . . . . . 680	Brushed Aluminum . . . . . 121
Black Satin . . . . . 233	Hunter Green . . . . . 154	Smokey Gray . . . . . 026	Fawn Pearl . . . . . 327
Buff . . . . . 624	Ice . . . . . 778	Snowcap White . . . . . 386	Polished Aluminum . . . . . 741
Burgundy . . . . . 653	Lamplight . . . . . 904	Stucco . . . . . 963	White Pearl . . . . . 637
Cameo . . . . . 607	Magnet . . . . . 648	Tender Taupe . . . . . 103	
Char Brown . . . . . 062	Matte White . . . . . 042	True Blue . . . . . 089	
Coconut . . . . . 630	Mercury . . . . . 771	True White . . . . . 544	
Creamy Beige . . . . . 670	Midnight Blue . . . . . 057	U.N. Gray . . . . . 095	
Crystal White . . . . . 629	Milk Chocolate . . . . . 060	Vanilla . . . . . 100	
Desert Sand . . . . . 625	Navajo White . . . . . 376	White Gloss . . . . . 005	
Fawn . . . . . 031	Parchment . . . . . 535	White Satin . . . . . 205	

# Price Charts

## Price Group H: 1" (2.6 cm) Skylights—Incline Wire Specialty Shapes

Incline Wire: Side Cuts, Inverted Triangles, Angle Tops and Bottoms .006 Gauge

Height up to inches (cm) ↓	Width up to inches (cm) →																		
	12 (30.5)	23 (58.5)	26 (66.1)	29 (73.7)	32 (81.3)	36 (91.5)	40 (101.6)	44 (111.8)	48 (122.0)	52 (132.1)	57 (144.8)	62 (157.5)	67 (170.2)	72 (182.9)	82 (208.3)	92 (233.7)	102 (259.1)	112 (284.5)	122 (309.9)
42 (106.7)	\$506	490	502	507	516	605	615	622	634	677	728	751	770	825	893	922	1038	1067	1095
48 (122.0)	517	502	511	516	528	619	632	642	652	699	751	777	793	854	930	960	1079	1113	1140
54 (137.2)	524	507	521	528	542	636	648	657	669	716	777	802	818	882	967	995	1119	1154	1187
60 (152.4)	533	515	528	539	552	652	665	673	686	734	798	828	846	905	995	1034	1164	1202	1236
66 (167.7)	541	524	542	550	564	667	677	691	707	757	824	852	877	936	1037	1072	1208	1245	1285
72 (182.9)	551	534	551	561	576	679	694	709	723	776	846	880	902	965	1051	1107	1251	1288	1331
78 (198.2)	563	547	563	572	592	700	712	724	740	784	878	912	932	1002	1109	1155	1307	1350	1391
84 (213.4)	568	552	569	581	601	709	724	746	760	812	890	928	953	1021	1136	1183	1332	1381	1426
90 (228.6)	577	561	581	594	612	724	746	761	776	829	916	953	981	1047	1172	1216	1376	1424	1474
96 (243.9)	585	568	592	604	622	742	760	776	794	850	940	978	1006	1075	1206	1258			
102 (259.1)	596	578	603	615	634	759	774	794	817	872	963	1002	1032	1079	1240	1293			
108 (274.4)	603	585	609	622	646	772	788	813	832	888	986								
114 (289.6)	614	599	620	634	659														
120 (304.8)	620	605	629	644	671														
126 (320.1)	632	615	638	656	684														

Incline Wire: Side Cuts, Inverted Triangles, Angle Tops and Bottoms .008 Gauge

Height up to inches (cm) ↓	Width up to inches (cm) →																		
	12 (30.5)	23 (58.5)	26 (66.1)	29 (73.7)	32 (81.3)	36 (91.5)	40 (101.6)	44 (111.8)	48 (122.0)	52 (132.1)	57 (144.8)	62 (157.5)	67 (170.2)	72 (182.9)	82 (208.3)	92 (233.7)	102 (259.1)	112 (284.5)	122 (309.9)
42 (106.7)	\$524	507	521	526	539	632	643	652	665	709	764	788	810	867	938	971	1093	1123	1155
48 (122.0)	538	521	533	539	551	648	660	671	681	728	788	818	833	897	981	1020	1137	1176	1206
54 (137.2)	543	526	542	551	565	667	677	689	704	750	818	845	862	929	1021	1051	1183	1219	1256
60 (152.4)	555	538	551	563	576	681	699	708	721	772	840	873	893	953	1051	1095	1233	1271	1309
66 (167.7)	563	547	565	572	591	700	712	725	742	794	869	900	926	988	1099	1136	1280	1320	1363
72 (182.9)	572	557	574	587	604	715	729	745	761	817	893	929	954	1020	1114	1177	1327	1367	1415
78 (198.2)	587	569	590	601	619	734	749	764	780	825	928	965	988	1061	1178	1228	1388	1436	1480
84 (213.4)	594	576	599	609	630	745	764	785	801	854	941	984	1009	1080	1208	1259	1416	1469	1519
90 (228.6)	604	587	609	620	643	764	785	802	820	876	969	1009	1041	1110	1246	1296	1465	1517	1572
96 (243.9)	612	596	619	633	655	781	801	820	837	895	998	1038	1071	1138	1283	1342			
102 (259.1)	622	607	632	647	668	799	818	837	865	922	1021	1067	1098	1145	1320	1381			
108 (274.4)	630	613	639	655	679	816	833	859	882	938	1047								
114 (289.6)	643	624	653	668	694														
120 (304.8)	652	634	663	677	708														
126 (320.1)	664	647	671	690	721														

## Colors

Alabaster . . . . . 112	Flax . . . . . 541	Pitch Black . . . . . 033	<b>Premium Colors</b>
Almond . . . . . 724	Forest Shadow . . . . . 087	Raw Umber . . . . . 006	<b>(10% Surcharge)</b>
Almost White Gloss . . . . . 065	Granite . . . . . 044	Real Red . . . . . 085	Alabaster Pearl . . . . . 326
Aluminum . . . . . 034	Gray Dawn . . . . . 405	Rock Gray . . . . . 399	Ash Metallic . . . . . 126
Beige . . . . . 011	Gray Haze . . . . . 983	Silver . . . . . 737	Beige Pearl . . . . . 328
Birch White . . . . . 375	Greige . . . . . 122	Skyline . . . . . 680	Brushed Aluminum . . . . . 121
Black Satin . . . . . 233	Hunter Green . . . . . 154	Smokey Gray . . . . . 026	Fawn Pearl . . . . . 327
Buff . . . . . 624	Ice . . . . . 778	Snowcap White . . . . . 386	Polished Aluminum . . . . . 741
Burgundy . . . . . 653	Lamplight . . . . . 904	Stucco . . . . . 963	White Pearl . . . . . 637
Cameo . . . . . 607	Magnet . . . . . 648	Tender Taupe . . . . . 103	
Char Brown . . . . . 062	Matte White . . . . . 042	True Blue . . . . . 089	
Coconut . . . . . 630	Mercury . . . . . 771	True White . . . . . 544	
Creamy Beige . . . . . 670	Midnight Blue . . . . . 057	U.N. Gray . . . . . 095	
Crystal White . . . . . 629	Milk Chocolate . . . . . 060	Vanilla . . . . . 100	
Desert Sand . . . . . 625	Navajo White . . . . . 376	White Gloss . . . . . 005	
Fawn . . . . . 031	Parchment . . . . . 535	White Satin . . . . . 205	

# Price Charts

## Price Group H: 1" (2.6 cm) Skylights—Incline Wire Specialty Shapes

Incline Wire: Octagons, Triangles, and Other Shapes .006 Gauge

Height up to inches (cm) ↓	Width up to inches (cm) →																		
	12 (30.5)	23 (58.5)	26 (66.1)	29 (73.7)	32 (81.3)	36 (91.5)	40 (101.6)	44 (111.8)	48 (122.0)	52 (132.1)	57 (144.8)	62 (157.5)	67 (170.2)	72 (182.9)	82 (208.3)	92 (233.7)	102 (259.1)	112 (284.5)	122 (309.9)
42 (106.7)	\$606	590	601	607	616	721	731	740	751	814	865	886	905	997	1063	1093	1245	1272	1302
48 (122.0)	616	601	611	616	627	736	749	759	769	832	886	913	928	1025	1102	1132	1286	1320	1348
54 (137.2)	622	607	619	627	642	755	765	774	785	851	913	937	953	1053	1137	1166	1327	1361	1394
60 (152.4)	632	615	627	638	652	769	781	789	804	871	933	964	981	1076	1166	1206	1371	1407	1441
66 (167.7)	640	622	642	648	664	783	795	810	823	890	959	988	1011	1107	1208	1242	1415	1454	1492
72 (182.9)	651	633	651	660	675	797	813	825	840	912	981	1015	1037	1136	1223	1279	1459	1494	1538
78 (198.2)	663	646	663	672	690	817	828	842	856	921	1012	1046	1068	1173	1280	1327	1514	1559	1598
84 (213.4)	668	652	669	680	700	825	842	863	877	945	1027	1062	1088	1191	1307	1354	1540	1587	1632
90 (228.6)	676	660	680	691	712	842	863	878	893	965	1050	1088	1115	1218	1344	1388	1582	1631	1682
96 (243.9)	684	668	690	704	721	859	877	893	912	985	1076	1113	1141	1245	1376	1428			
102 (259.1)	694	677	703	715	733	876	890	912	933	1006	1098	1137	1166	1250	1410	1465			
108 (274.4)	703	684	709	721	745	888	906	929	950	1024	1121								
114 (289.6)	713	695	720	733	759														
120 (304.8)	720	705	727	743	770														
126 (320.1)	730	715	736	756	783														

Incline Wire: Octagons, Triangles, and Other Shapes .008 Gauge

Height up to inches (cm) ↓	Width up to inches (cm) →																		
	12 (30.5)	23 (58.5)	26 (66.1)	29 (73.7)	32 (81.3)	36 (91.5)	40 (101.6)	44 (111.8)	48 (122.0)	52 (132.1)	57 (144.8)	62 (157.5)	67 (170.2)	72 (182.9)	82 (208.3)	92 (233.7)	102 (259.1)	112 (284.5)	122 (309.9)
42 (106.7)	\$622	607	619	624	638	749	760	769	781	843	898	925	944	1037	1110	1141	1298	1329	1362
48 (122.0)	636	619	632	638	651	765	777	787	799	865	925	953	969	1069	1153	1185	1345	1383	1412
54 (137.2)	643	624	642	651	665	783	795	807	820	885	953	980	997	1100	1191	1223	1389	1427	1463
60 (152.4)	654	636	651	663	675	799	816	824	837	906	976	1007	1028	1124	1223	1266	1439	1478	1515
66 (167.7)	663	646	665	672	689	817	828	843	859	929	1003	1036	1061	1158	1270	1307	1488	1527	1571
72 (182.9)	672	656	673	685	704	831	848	862	878	951	1028	1063	1090	1189	1286	1348	1533	1574	1622
78 (198.2)	685	669	686	700	719	852	867	881	897	960	1062	1100	1123	1233	1349	1400	1596	1643	1687
84 (213.4)	692	675	695	709	728	862	881	903	919	989	1077	1117	1145	1251	1380	1431	1623	1676	1726
90 (228.6)	704	685	709	720	742	881	903	921	936	1009	1105	1145	1177	1281	1418	1467	1672	1724	1780
96 (243.9)	712	694	719	731	755	898	919	936	955	1032	1133	1173	1206	1311	1455	1513			
102 (259.1)	722	707	729	746	767	917	934	955	981	1056	1155	1202	1233	1316	1492	1551			
108 (274.4)	728	713	738	755	778	932	951	976	999	1075	1183								
114 (289.6)	742	724	751	767	794														
120 (304.8)	750	733	761	777	807														
126 (320.1)	763	746	770	788	821														

## Colors

Alabaster . . . . . 112	Flax . . . . . 541	Pitch Black . . . . . 033	<b>Premium Colors</b>
Almond . . . . . 724	Forest Shadow . . . . . 087	Raw Umber . . . . . 006	<b>(10% Surcharge)</b>
Almost White Gloss . . . 065	Granite . . . . . 044	Real Red . . . . . 085	Alabaster Pearl . . . . . 326
Aluminum . . . . . 034	Gray Dawn . . . . . 405	Rock Gray . . . . . 399	Ash Metallic . . . . . 126
Beige . . . . . 011	Gray Haze . . . . . 983	Silver . . . . . 737	Beige Pearl . . . . . 328
Birch White . . . . . 375	Greige . . . . . 122	Skyline . . . . . 680	Brushed Aluminum . . . . 121
Black Satin . . . . . 233	Hunter Green . . . . . 154	Smokey Gray . . . . . 026	Fawn Pearl . . . . . 327
Buff . . . . . 624	Ice . . . . . 778	Snowcap White . . . . . 386	Polished Aluminum . . . . 741
Burgundy . . . . . 653	Lamplight . . . . . 904	Stucco . . . . . 963	White Pearl . . . . . 637
Cameo . . . . . 607	Magnet . . . . . 648	Tender Taupe . . . . . 103	
Char Brown . . . . . 062	Matte White . . . . . 042	True Blue . . . . . 089	
Coconut . . . . . 630	Mercury . . . . . 771	True White . . . . . 544	
Creamy Beige . . . . . 670	Midnight Blue . . . . . 057	U.N. Gray . . . . . 095	
Crystal White . . . . . 629	Milk Chocolate . . . . . 060	Vanilla . . . . . 100	
Desert Sand . . . . . 625	Navajo White . . . . . 376	White Gloss . . . . . 005	
Fawn . . . . . 031	Parchment . . . . . 535	White Satin . . . . . 205	

# Price Charts

## Price Group I: Arches

### 1" (2.6 cm) Slats .006 Gauge

Height up to inches (cm) ↓	Width up to inches (cm) →																				
	12 (30.5)	23 (58.5)	26 (66.1)	29 (73.7)	32 (81.3)	36 (91.5)	40 (101.6)	44 (111.8)	48 (122.0)	52 (132.1)	57 (144.8)	62 (157.5)	67 (170.2)	72 (182.9)	82 (208.3)	92 (233.7)	102 (259.1)	112 (284.5)	122 (309.9)	132 (335.3)	142 (360.7)
42 (106.7)	\$712	695	700	707	716	723	733	746	846	854	871	880	894	903	929	951	1020	1040	1098	1124	1140
48 (122.0)	823	808	814	825	831	845	854	865	907	921	938	950	964	1007	1037	1063	1132	1154	1221	1248	1272
54 (137.2)	905	888	900	906	912	929	938	946	995	1003	1029	1044	1055	1105	1132	1163	1233	1261	1327	1355	1385
60 (152.4)	992	976	981	986	1002	1015	1023	1036	1080	1095	1119	1133	1150	1193	1227	1256	1335	1366	1432	1463	1492
66 (167.7)	1069	1051	1059	1076	1084	1095	1109	1117	1168	1185	1207	1223	1236	1290	1322	1350	1436	1465	1538	1572	1605
72 (182.9)	1208	1191	1204	1216	1224	1242	1253	1267	1294	1307	1332	1348	1366	1387	1418	1455	1631	1670	1722	1753	1787
78 (198.2)	1292	1276	1288	1297	1306	1327	1337	1355	1383	1394	1419	1440	1462	1475	1520	1551	1735	1770	1826	1862	1897
84 (213.4)	1377	1361	1370	1381	1392	1412	1427	1443	1466	1486	1515	1536	1551	1568	1615	1649	1835	1878	1934	1970	2008
90 (228.6)	1384	1367	1377	1389	1401	1423	1441	1454	1484	1494	1526	1547	1566	1593	1632	1676	1857	1903	1962	2006	2047
96 (243.9)	1389	1372	1381	1394	1406	1435	1450	1467	1493	1513	1543	1563	1589	1607	1652	1698	1888	1928	1996	2039	2079
102 (259.1)	1394	1377	1392	1403	1418	1441	1459	1475	1506	1524	1560	1578	1604	1627	1676	1722	1914	1960	2025	2073	2122
108 (274.4)	1401	1385	1398	1412	1427	1450	1471	1488	1519	1540	1571	1597	1623	1645	1698	1747	1942	1987	2057	2105	2156
114 (289.6)	1409	1392	1403	1423	1436	1459	1479	1501	1536	1551	1593	1615	1641	1665	1717	1770	1965	2013	2091	2152	2219
120 (304.8)	1410	1394	1412	1431	1445	1471	1488	1514	1545	1566	1604	1627	1654	1684	1744	1791	1992	2047	2117	2171	2225
126 (320.1)	1418	1401	1423	1441	1454	1479	1506	1526	1554	1575	1619	1648	1676	1702	1762	1816	2018	2075	2142	2198	2250

### 1" (2.6 cm) Slats .008 Gauge

Height up to inches (cm) ↓	Width up to inches (cm) →																				
	12 (30.5)	23 (58.5)	26 (66.1)	29 (73.7)	32 (81.3)	36 (91.5)	40 (101.6)	44 (111.8)	48 (122.0)	52 (132.1)	57 (144.8)	62 (157.5)	67 (170.2)	72 (182.9)	82 (208.3)	92 (233.7)	102 (259.1)	112 (284.5)	122 (309.9)	132 (335.3)	142 (360.7)
42 (106.7)	\$720	705	708	715	725	733	746	760	860	869	886	895	913	924	951	976	1046	1071	1129	1158	1177
48 (122.0)	831	816	823	835	842	856	868	878	924	936	958	969	984	1029	1061	1091	1162	1185	1256	1286	1314
54 (137.2)	915	897	912	917	922	941	953	963	1011	1021	1049	1067	1077	1129	1157	1191	1265	1294	1363	1396	1428
60 (152.4)	1002	986	992	997	1015	1028	1037	1051	1098	1113	1140	1155	1173	1219	1256	1288	1370	1403	1471	1509	1538
66 (167.7)	1079	1062	1071	1088	1099	1110	1126	1134	1187	1206	1228	1246	1261	1318	1353	1384	1473	1506	1582	1621	1656
72 (182.9)	1218	1203	1215	1231	1238	1259	1270	1286	1315	1328	1357	1372	1392	1415	1451	1490	1672	1713	1770	1805	1841
78 (198.2)	1305	1288	1301	1312	1320	1344	1357	1374	1403	1416	1444	1467	1490	1507	1554	1589	1779	1816	1878	1917	1957
84 (213.4)	1389	1372	1384	1396	1409	1431	1445	1465	1489	1510	1543	1564	1581	1601	1652	1688	1880	1927	1988	2029	2070
90 (228.6)	1397	1381	1392	1405	1418	1441	1463	1474	1507	1520	1554	1576	1597	1627	1672	1719	1905	1956	2020	2069	2113
96 (243.9)	1404	1387	1396	1410	1423	1455	1470	1492	1519	1540	1572	1594	1623	1643	1692	1744	1938	1984	2057	2104	2148
102 (259.1)	1409	1392	1409	1419	1436	1463	1480	1500	1530	1552	1592	1611	1640	1665	1719	1770	1967	2018	2086	2139	2194
108 (274.4)	1417	1400	1415	1431	1445	1470	1496	1513	1545	1570	1604	1631	1662	1684	1744	1796	1999	2047	2122	2178	2235
114 (289.6)	1425	1409	1419	1441	1456	1480	1505	1528	1564	1581	1627	1652	1680	1706	1763	1822	2023	2077	2162	2230	2299
120 (304.8)	1426	1410	1431	1450	1467	1496	1513	1543	1575	1597	1640	1665	1695	1728	1792	1845	2055	2117	2187	2247	2306
126 (320.1)	1434	1418	1441	1463	1474	1505	1531	1554	1585	1609	1656	1687	1719	1747	1814	1873	2082	2143	2219	2280	2336

Template service fee: \$25 (net price)

## Colors

Alabaster . . . . . 112	Flax . . . . . 541	Pitch Black . . . . . 033	<b>Premium Colors (10% Surcharge)</b>
Almond . . . . . 724	Forest Shadow . . . . . 087	Raw Umber . . . . . 006	
Almost White Gloss . . . 065	Granite . . . . . 044	Real Red . . . . . 085	
Aluminum . . . . . 034	Gray Dawn . . . . . 405	Rock Gray . . . . . 399	
Beige . . . . . 011	Gray Haze . . . . . 983	Silver . . . . . 737	
Birch White . . . . . 375	Greige . . . . . 122	Skyline . . . . . 680	
Black Satin . . . . . 233	Hunter Green . . . . . 154	Smokey Gray . . . . . 026	
Buff . . . . . 624	Ice . . . . . 778	Snowcap White . . . . . 386	
Burgundy . . . . . 653	Lamplight . . . . . 904	Stucco . . . . . 963	
Cameo . . . . . 607	Magnet . . . . . 648	Tender Taupe . . . . . 103	
Char Brown . . . . . 062	Matte White . . . . . 042	True Blue . . . . . 089	
Coconut . . . . . 630	Mercury . . . . . 771	True White . . . . . 544	
Creamy Beige . . . . . 670	Midnight Blue . . . . . 057	U.N. Gray . . . . . 095	
Crystal White . . . . . 629	Milk Chocolate . . . . . 060	Vanilla . . . . . 100	
Desert Sand . . . . . 625	Navajo White . . . . . 376	White Gloss . . . . . 005	
Fawn . . . . . 031	Parchment . . . . . 535	White Satin . . . . . 205	



# Price Charts

## Price Group J: Circles

To price use larger number for width.

1" (2.6 cm) Slats .006 Gauge

Height up to inches (cm) ↓	Width up to inches (cm) →													
	12 (30.5)	23 (58.5)	26 (66.1)	29 (73.7)	32 (81.3)	36 (91.5)	40 (101.6)	44 (111.8)	48 (122.0)	52 (132.1)	57 (144.8)	62 (157.5)	67 (170.2)	72 (182.9)
42 (106.7)	\$676	660	715	773	833	912	990	1072	1157	1234	1336	1432	1531	1628
48 (122.0)	679	664	720	784	842	925	1002	1081	1167	1248	1355	1451	1549	1648
54 (137.2)	685	669	731	789	846	933	1012	1090	1180	1258	1370	1470	1567	1670
60 (152.4)	698	680	738	795	863	944	1021	1103	1189	1275	1385	1485	1585	1683
66 (167.7)	701	684	743	813	872	951	1034	1111	1206	1290	1398	1500	1598	1706
72 (182.9)	706	689	751	818	877	964	1042	1128	1221	1302	1415	1515	1619	1727

1" (2.6 cm) Slats .008 Gauge

Height up to inches (cm) ↓	Width up to inches (cm) →													
	12 (30.5)	23 (58.5)	26 (66.1)	29 (73.7)	32 (81.3)	36 (91.5)	40 (101.6)	44 (111.8)	48 (122.0)	52 (132.1)	57 (144.8)	62 (157.5)	67 (170.2)	72 (182.9)
42 (106.7)	\$684	668	721	781	845	922	1002	1084	1171	1248	1354	1449	1549	1648
48 (122.0)	687	671	728	795	852	936	1016	1095	1183	1265	1372	1470	1570	1670
54 (137.2)	694	677	743	801	856	946	1027	1105	1195	1275	1389	1492	1589	1692
60 (152.4)	708	691	749	807	876	958	1036	1119	1207	1292	1406	1507	1610	1710
66 (167.7)	711	694	755	824	885	967	1050	1129	1223	1311	1422	1524	1623	1733
72 (182.9)	716	700	764	831	889	980	1059	1145	1241	1323	1439	1541	1646	1756

Template service fee: \$25 (net price)

## Colors

Alabaster . . . . .112	Flax . . . . .541	Pitch Black . . . . .033
Almond . . . . .724	Forest Shadow . . . . .087	Raw Umber . . . . .006
Almost White Gloss . . . . .065	Granite . . . . .044	Real Red . . . . .085
Aluminum . . . . .034	Gray Dawn . . . . .405	Rock Gray . . . . .399
Beige . . . . .011	Gray Haze . . . . .983	Silver . . . . .737
Birch White . . . . .375	Greige . . . . .122	Skyline . . . . .680
Black Satin . . . . .233	Hunter Green . . . . .154	Smokey Gray . . . . .026
Buff . . . . .624	Ice . . . . .778	Snowcap White . . . . .386
Burgundy . . . . .653	Lamplight . . . . .904	Stucco . . . . .963
Cameo . . . . .607	Magnet . . . . .648	Tender Taupe . . . . .103
Char Brown . . . . .062	Matte White . . . . .042	True Blue . . . . .089
Coconut . . . . .630	Mercury . . . . .771	True White . . . . .544
Creamy Beige . . . . .670	Midnight Blue . . . . .057	U.N. Gray . . . . .095
Crystal White . . . . .629	Milk Chocolate . . . . .060	Vanilla . . . . .100
Desert Sand . . . . .625	Navajo White . . . . .376	White Gloss . . . . .005
Fawn . . . . .031	Parchment . . . . .535	White Satin . . . . .205

### Premium Colors (10% Surcharge)

Alabaster Pearl . . . . .326
Ash Metallic . . . . .126
Beige Pearl . . . . .328
Brushed Aluminum . . . . .121
Fawn Pearl . . . . .327
Polished Aluminum . . . . .741
White Pearl . . . . .637

# Price Charts

## Price Group K: Side Cuts, Inverted Triangles, Angle Top and Bottom

### 1" (2.6 cm) Slats .006 Gauge

Height up to inches (cm) ↓	Width up to inches (cm) →																				
	12 (30.5)	23 (58.5)	26 (66.1)	29 (73.7)	32 (81.3)	36 (91.5)	40 (101.6)	44 (111.8)	48 (122.0)	52 (132.1)	57 (144.8)	62 (157.5)	67 (170.2)	72 (182.9)	82 (208.3)	92 (233.7)	102 (259.1)	112 (284.5)	122 (309.9)	132 (335.3)	142 (360.7)
42 (106.7)	\$401	385	387	394	403	448	457	469	477	521	538	547	561	615	642	664	769	788	816	940	958
48 (122.0)	403	387	394	404	412	460	469	480	488	536	556	565	578	634	664	690	793	816	846	972	997
54 (137.2)	410	394	404	412	416	469	480	488	500	545	569	585	596	656	681	715	818	846	877	1003	1034
60 (152.4)	421	404	412	416	432	480	488	502	510	561	585	600	615	671	705	731	846	877	906	1037	1067
66 (167.7)	424	407	416	432	441	488	502	510	525	577	600	615	627	693	724	755	873	902	938	1073	1106
72 (182.9)	428	413	425	438	446	500	510	525	542	591	615	630	648	715	746	781	897	934	973	1106	1138
78 (198.2)	438	422	434	444	452	508	521	538	555	603	627	648	669	728	773	804	926	960	1003	1138	1176
84 (213.4)	450	432	441	452	463	520	534	551	563	617	648	668	684	746	793	827	951	993	1037	1172	1210
90 (228.6)	455	438	449	460	472	530	550	560	578	627	659	679	699	770	812	854	973	1020	1067	1208	1250
96 (243.9)	460	444	452	465	477	542	557	574	591	646	675	694	721	784	829	877	1003	1044	1099	1241	1281
102 (259.1)	465	449	463	474	490	550	565	583	603	657	691	712	736	804	854	898	1029	1076	1128	1275	1323
108 (274.4)	472	456	469	483	499	557	578	595	615	672	705	728	757	823	877	925	1058	1103	1158	1307	1359
114 (289.6)	479	463	474	495	507	565	587	609	632	684	724	747	774	842	894	946	1080	1130	1192	1355	1419
120 (304.8)	480	465	483	502	516	578	595	620	643	699	736	760	787	863	922	969	1109	1164	1218	1371	1426
126 (320.1)	489	472	495	512	524	587	612	633	652	709	751	780	810	880	938	993	1134	1191	1245	1400	1454

### 1" (2.6 cm) Slats .008 Gauge

Height up to inches (cm) ↓	Width up to inches (cm) →																				
	12 (30.5)	23 (58.5)	26 (66.1)	29 (73.7)	32 (81.3)	36 (91.5)	40 (101.6)	44 (111.8)	48 (122.0)	52 (132.1)	57 (144.8)	62 (157.5)	67 (170.2)	72 (182.9)	82 (208.3)	92 (233.7)	102 (259.1)	112 (284.5)	122 (309.9)	132 (335.3)	142 (360.7)
42 (106.7)	\$407	392	395	402	414	457	469	483	491	536	555	563	578	634	664	686	795	820	846	976	993
48 (122.0)	412	395	402	416	422	472	483	495	503	552	572	585	600	656	686	717	823	846	881	1009	1037
54 (137.2)	419	402	416	422	426	483	495	503	515	561	591	607	617	679	709	743	851	881	915	1044	1077
60 (152.4)	431	416	422	426	444	495	503	516	526	578	607	620	639	695	731	764	881	915	946	1081	1111
66 (167.7)	435	419	426	444	455	503	516	526	543	599	620	639	653	720	756	785	912	941	985	1121	1157
72 (182.9)	440	424	437	452	459	515	526	543	561	611	639	656	675	743	778	818	937	978	1023	1157	1192
78 (198.2)	451	434	448	457	467	525	539	557	574	623	653	675	699	760	808	842	969	1006	1055	1192	1234
84 (213.4)	460	444	455	467	480	538	555	571	585	643	675	695	715	778	829	868	997	1042	1091	1231	1271
90 (228.6)	468	452	463	476	490	550	569	581	604	653	686	711	728	804	850	897	1023	1072	1123	1270	1316
96 (243.9)	473	457	467	482	495	561	577	600	615	672	707	725	757	821	871	922	1055	1100	1158	1306	1350
102 (259.1)	479	463	480	491	507	569	590	608	627	685	723	745	773	842	897	946	1083	1134	1189	1342	1397
108 (274.4)	488	471	487	502	516	577	604	619	643	704	736	764	794	863	922	973	1114	1164	1224	1380	1436
114 (289.6)	498	480	491	512	526	590	611	636	660	715	760	784	814	884	940	999	1138	1192	1263	1432	1501
120 (304.8)	499	482	502	521	539	604	619	651	672	728	773	797	828	906	971	1024	1171	1233	1290	1450	1509
126 (320.1)	506	490	512	534	547	611	639	663	681	742	788	821	852	925	990	1050	1200	1261	1320	1480	1538

Template service fee: \$25 (net price)

### Colors

Alabaster . . . . . 112	Flax . . . . . 541	Pitch Black . . . . . 033	<b>Premium Colors (10% Surcharge)</b>
Almond . . . . . 724	Forest Shadow . . . . . 087	Raw Umber . . . . . 006	
Almost White Gloss . . . 065	Granite . . . . . 044	Real Red . . . . . 085	
Aluminum . . . . . 034	Gray Dawn . . . . . 405	Rock Gray . . . . . 399	
Beige . . . . . 011	Gray Haze . . . . . 983	Silver . . . . . 737	
Birch White . . . . . 375	Greige . . . . . 122	Skyline . . . . . 680	
Black Satin . . . . . 233	Hunter Green . . . . . 154	Smokey Gray . . . . . 026	
Buff . . . . . 624	Ice . . . . . 778	Snowcap White . . . . . 386	
Burgundy . . . . . 653	Lamplight . . . . . 904	Stucco . . . . . 963	
Cameo . . . . . 607	Magnet . . . . . 648	Tender Taupe . . . . . 103	
Char Brown . . . . . 062	Matte White . . . . . 042	True Blue . . . . . 089	
Coconut . . . . . 630	Mercury . . . . . 771	True White . . . . . 544	
Creamy Beige . . . . . 670	Midnight Blue . . . . . 057	U.N. Gray . . . . . 095	
Crystal White . . . . . 629	Milk Chocolate . . . . . 060	Vanilla . . . . . 100	
Desert Sand . . . . . 625	Navajo White . . . . . 376	White Gloss . . . . . 005	
Fawn . . . . . 031	Parchment . . . . . 535	White Satin . . . . . 205	

## Price Charts

### Price Group L: Octagons, Triangles

#### 1" (2.6 cm) Slats .006 Gauge

Height up to inches (cm) ↓	Width up to inches (cm) →																				
	12 (30.5)	23 (58.5)	26 (66.1)	29 (73.7)	32 (81.3)	36 (91.5)	40 (101.6)	44 (111.8)	48 (122.0)	52 (132.1)	57 (144.8)	62 (157.5)	67 (170.2)	72 (182.9)	82 (208.3)	92 (233.7)	102 (259.1)	112 (284.5)	122 (309.9)	132 (335.3)	142 (360.7)
42 (106.7)	\$500	483	487	492	503	564	574	587	595	656	672	680	695	785	813	833	976	997	1023	1157	1173
48 (122.0)	503	487	492	504	510	577	587	599	605	671	690	703	715	807	833	862	999	1023	1053	1188	1212
54 (137.2)	508	492	504	510	514	587	599	605	616	679	707	720	729	827	854	885	1025	1053	1083	1219	1250
60 (152.4)	521	504	510	514	531	599	605	617	627	695	720	733	750	842	876	903	1053	1083	1113	1253	1281
66 (167.7)	524	507	514	531	541	605	617	627	643	713	733	750	763	865	895	925	1080	1109	1146	1289	1322
72 (182.9)	528	511	524	538	545	616	627	643	659	724	750	765	783	885	917	953	1105	1141	1181	1322	1355
78 (198.2)	537	521	533	543	551	624	638	655	671	736	763	783	804	900	944	976	1133	1167	1211	1355	1391
84 (213.4)	548	531	541	551	563	636	652	668	679	755	783	802	820	917	964	998	1158	1202	1244	1388	1426
90 (228.6)	555	538	548	560	571	647	667	676	695	763	794	816	832	940	981	1025	1181	1226	1272	1424	1466
96 (243.9)	560	543	551	564	576	659	673	691	708	780	812	829	856	955	1001	1047	1211	1251	1306	1458	1497
102 (259.1)	564	548	563	572	590	667	681	703	719	793	827	846	872	976	1025	1071	1237	1283	1333	1490	1540
108 (274.4)	571	556	568	581	599	673	695	712	731	808	837	865	890	993	1047	1095	1265	1311	1366	1523	1575
114 (289.6)	579	563	572	594	607	681	705	725	749	820	860	882	909	1012	1067	1117	1288	1336	1400	1571	1635
120 (304.8)	580	564	581	601	616	695	712	738	760	832	872	894	924	1034	1093	1140	1316	1371	1426	1587	1641
126 (320.1)	588	571	594	612	622	705	728	750	769	843	886	916	944	1050	1110	1164	1342	1398	1454	1616	1670

#### 1" (2.6 cm) Slats .008 Gauge

Height up to inches (cm) ↓	Width up to inches (cm) →																				
	12 (30.5)	23 (58.5)	26 (66.1)	29 (73.7)	32 (81.3)	36 (91.5)	40 (101.6)	44 (111.8)	48 (122.0)	52 (132.1)	57 (144.8)	62 (157.5)	67 (170.2)	72 (182.9)	82 (208.3)	92 (233.7)	102 (259.1)	112 (284.5)	122 (309.9)	132 (335.3)	142 (360.7)
42 (106.7)	\$507	491	495	502	512	574	587	601	608	671	689	699	715	807	833	859	1002	1027	1053	1191	1210
48 (122.0)	510	495	502	514	521	591	601	611	619	686	709	720	733	827	859	888	1029	1053	1088	1226	1253
54 (137.2)	517	502	514	521	525	601	611	619	633	695	724	742	755	851	880	915	1058	1088	1121	1261	1293
60 (152.4)	531	514	521	525	543	611	619	634	644	715	742	757	774	868	903	934	1088	1121	1154	1297	1328
66 (167.7)	533	516	525	543	555	619	634	644	660	731	757	774	787	890	926	958	1117	1150	1191	1336	1372
72 (182.9)	538	522	536	551	559	633	644	660	677	746	774	789	812	915	950	989	1145	1185	1228	1372	1409
78 (198.2)	550	533	547	557	565	643	656	673	691	760	787	812	832	930	978	1012	1177	1214	1262	1409	1450
84 (213.4)	560	543	555	565	578	655	671	689	704	777	812	831	850	950	1001	1038	1204	1250	1297	1445	1488
90 (228.6)	567	551	563	574	590	667	686	700	720	787	823	845	865	976	1021	1069	1228	1279	1329	1486	1531
96 (243.9)	572	557	565	580	594	677	694	716	731	808	840	862	890	992	1041	1093	1262	1307	1366	1522	1567
102 (259.1)	579	563	578	591	607	686	707	724	745	821	859	880	907	1012	1069	1117	1290	1342	1397	1559	1614
108 (274.4)	585	569	585	601	616	694	720	736	760	836	872	898	929	1034	1093	1145	1322	1371	1432	1596	1652
114 (289.6)	595	578	591	612	624	707	727	755	777	850	894	921	949	1055	1111	1171	1346	1400	1470	1648	1718
120 (304.8)	597	580	601	619	638	720	736	767	788	865	907	932	964	1077	1141	1193	1377	1439	1497	1666	1724
126 (320.1)	606	590	612	633	646	727	757	778	799	877	925	955	988	1095	1162	1221	1406	1467	1527	1696	1753

Template service fee: \$25 (net price)

### Colors

Alabaster . . . . .	112	Flax . . . . .	541	Pitch Black . . . . .	033	<b>Premium Colors (10% Surcharge)</b>		
Almond . . . . .	724	Forest Shadow . . . . .	087	Raw Umber . . . . .	006		Alabaster Pearl . . . . .	326
Almost White Gloss . . . . .	065	Granite . . . . .	044	Real Red . . . . .	085		Ash Metallic . . . . .	126
Aluminum . . . . .	034	Gray Dawn . . . . .	405	Rock Gray . . . . .	399		Beige Pearl . . . . .	328
Beige . . . . .	011	Gray Haze . . . . .	983	Silver . . . . .	737		Brushed Aluminum . . . . .	121
Birch White . . . . .	375	Greige . . . . .	122	Skyline . . . . .	680		Fawn Pearl . . . . .	327
Black Satin . . . . .	233	Hunter Green . . . . .	154	Smokey Gray . . . . .	026		Polished Aluminum . . . . .	741
Buff . . . . .	624	Ice . . . . .	778	Snowcap White . . . . .	386		White Pearl . . . . .	637
Burgundy . . . . .	653	Lamplight . . . . .	904	Stucco . . . . .	963			
Cameo . . . . .	607	Magnet . . . . .	648	Tender Taupe . . . . .	103			
Char Brown . . . . .	062	Matte White . . . . .	042	True Blue . . . . .	089			
Coconut . . . . .	630	Mercury . . . . .	771	True White . . . . .	544			
Creamy Beige . . . . .	670	Midnight Blue . . . . .	057	U.N. Gray . . . . .	095			
Crystal White . . . . .	629	Milk Chocolate . . . . .	060	Vanilla . . . . .	100			
Desert Sand . . . . .	625	Navajo White . . . . .	376	White Gloss . . . . .	005			
Fawn . . . . .	031	Parchment . . . . .	535	White Satin . . . . .	205			

## Options Pricing

Options Pricing	
Options	Surcharge
Cloth Tapes (2" (5.1 cm) Grandeur™ only)	See price charts
Bay and Corner Window	No charge
Cut-Outs	\$67
Double Slat	Double blind price
Hidden Holes™	See surcharges with price charts
Hold Down Brackets	No charge
Inverted Slats	\$20
Limited Tilt	No charge
Motorization	See motorization price list for pricing information
Multi-Colored Striped Blinds	Second color: \$25 All additional colors: \$10 Each additional blind of the same size and pattern on the same order: \$10
Multiple Blinds on One Headrail	See price charts
Premium Blind Colors	10% surcharge (add to base price)
Projection Brackets: 1¾" (4.5 cm), 2¾" (7.0 cm), 4¾" (12.1 cm) Outside Mount Only	No charge
Ring Pull/Ring Tilt	No charge
Shims ⅜" (0.5 cm)	No charge
Sky Poles	3-6½ feet (0.9 m–2.0 m) \$46, 5-9½ feet (1.5 m–2.9 m) \$70
Template Service	\$25 (net price)
Top Lock	No charge
Wood Cornices and Wood Valances	See cornice and valances price list for pricing information



Graber is a brand of Springs Window Fashions, the Best Experience Company 

Graber and the Graber logo are registered trademarks of Springs Window Fashions, LLC.

19-0750-00 (07/17) 17-5480|S17-5058