

# EXTERIOR SOLAR SHADES

## Table of Contents

<b>Features</b>	
Summary . . . . .	2
Fabric Styles and Information: Exterior Solar Shades . . . . .	2
Light Gaps . . . . .	3
Fabric Recommendations . . . . .	3
Fabric Disclaimers . . . . .	3
Large Window Sizing . . . . .	3
Light Control and Privacy . . . . .	3
Fabric Certifications . . . . .	3
<b>Size Considerations</b>	
Continuous-Loop Lift and Motorized Lift: Maximum Shade Size . . . . .	4
How to Determine Maximum Shade Size . . . . .	5
Planning for Installation of Exterior Shades . . . . .	5
Depth Requirements for Inside Mount . . . . .	6
Guide Cables (Motorized Lift Shades Only) . . . . .	6
Motor Power Cable . . . . .	6
<b>Options</b>	
Summary . . . . .	7
Reverse Roll . . . . .	7
Continuous-Loop Lift . . . . .	7
Curved Cassette Valance . . . . .	7
Motorized Lift . . . . .	8
<b>General Information</b>	
Exterior Continuous-Loop Lift Product Detail . . . . .	9
Exterior Motorized Lift Shade Product Detail . . . . .	10
<b>Price Charts and Options Pricing</b>	
Price Group CA: Continuous-Loop Lift: Broadcast, Chronicles, Monticello, Plexus 1%, Plexus 3%, Plexus 5%, Standard Weave 1%, Standard Weave 3%, Standard Weave 5%, Standard Weave 10%, Vanguard 1%, Vanguard 3%, Vanguard 5%, Venture. . . . .	11
Price Group CB: Continuous-Loop Lift: Merit, Paradigm, Reaction, Resolve. . . . .	12
Price Group MA: Motorized Lift: Broadcast, Chronicles, Monticello, Plexus 1%, Plexus 3%, Plexus 5%, Standard Weave 1%, Standard Weave 3%, Standard Weave 5%, Standard Weave 10%, Vanguard 1%, Vanguard 3%, Vanguard 5%, Venture. . . . .	13
Price Group MB: Motorized Lift: Merit, Paradigm, Reaction, Resolve . . . . .	14
Options Pricing . . . . .	15

# Features

## Exterior Solar Shades Expand Your Outdoor Living Space

- Maintain an outdoor view
  - Filter and diffuse light while maintaining an outward view
  - The higher the openness factor and the darker the fabric, the clearer the view
- Manage glare
  - Minimize glare on televisions and home office computers
  - The darker the fabric color, the better the glare control and visibility
- Block damaging UV rays
  - The amount of UV ray blockage is the inverse of a fabric's openness factor (i.e., a fabric with 10% openness blocks 90% of UV rays)
  - Protect furniture, carpets, artwork, etc. from fading due to harmful UV rays

- Temperature control
  - Exterior shades reduce solar heat gain before it enters the house, reducing air conditioning costs
  - Solar fabrics reduce heat transmittance, keeping rooms cooler and increasing the comfort level in your home
  - The lighter the fabric color, the better the temperature control

**IMPORTANT:** Shades must be raised fully during inclement weather and windy conditions.

## Fabric Styles and Information: Exterior Solar Shades

Style Name	Openness	UV Blockage	Fabric Composition	Useable Fabric Width inches (cm)	GREENGUARD Certified	Anti-Microbial	FR Rated	Can be Railroaded Turned 90° (Width for Height)	Can be Seamed	Color Number
Broadcast	1%	99%	25% polyester/ 75% vinyl on polyester	116 (294.7)	√	√	√	√	√	All
Chronicles	4%	96%	15% polyester/ 85% vinyl on polyester	96 (243.9)	√	√	√		√	All
Merit	4%	96%	15% polyester/ 85% vinyl on polyester	96 (243.9)	√	√	√		√	All
Monticello	7%	93%	23.8% polyester/ 76.2% vinyl on polyester	96 (243.9)	√	√	√	√		All
Paradigm	8%	92%	25% polyester/ 75% vinyl on polyester	96 (243.9)	√	√	√		√	All
Plexus 1%	1%	99%	19% polyester/ 81% vinyl on polyester	116 (294.7)	√	√	√	√	√	All
Plexus 3%	3%	97%	19% polyester/ 81% vinyl on polyester	116 (294.7)	√	√	√	√	√	All
Plexus 5%	5%	95%	19% polyester/ 81% vinyl on polyester	116 (294.7)	√	√	√	√	√	All
Reaction	4%	96%	15% polyester/ 85% vinyl on polyester	96 (243.9)	√	√	√		√	All
Resolve	3%	97%	24% polyester/ 76% vinyl on polyester	96 (243.9)	√	√	√		√	All
Standard Weave 1%	1%	99%	21% polyester/ 79% vinyl on polyester	116 (294.7)	√	√	√	√	√	47905, 47907, 47908
			24% polyester/ 76% vinyl on polyester							47901, 47906
			25% polyester/ 75% vinyl on polyester							47903, 47904
Standard Weave 3%	3%	97%	18% polyester/ 82% vinyl on polyester	116 (294.7)	√	√	√	√	√	48203, 48204
			21% polyester/ 79% vinyl on polyester							48205, 48207, 48208
			24% polyester/ 76% vinyl on polyester							48201
Standard Weave 5%	5%	95%	16% polyester/ 84% vinyl on polyester	116 (294.7)	√	√	√	√	√	48303, 48304
			21% polyester/ 79% vinyl on polyester							48305, 48307, 48308
			24% polyester/ 76% vinyl on polyester							48301
Standard Weave 10%	10%	90%	16% polyester/ 84% vinyl on polyester	116 (294.7)	√	√	√	√	√	48403, 48404
			21% polyester/ 79% vinyl on polyester							48405, 48407, 48408
			24% polyester/ 76% vinyl on polyester							48401
Vanguard 1%	1%	99%	21% polyester/ 79% vinyl on polyester	116 (294.7)	√	√	√	√	√	47912, 47914, 47918, 47917
			24% polyester/ 76% vinyl on polyester							47909, 47915, 47916
			25% polyester/ 75% vinyl on polyester							47910, 47919
Vanguard 3%	3%	97%	18% polyester/ 82% vinyl on polyester	116 (294.7)	√	√	√	√	√	48210, 48219
			21% polyester/ 79% vinyl on polyester							48212, 48214, 48217, 48218
			24% polyester/ 76% vinyl on polyester							48209, 48215, 48216
Vanguard 5%	5%	95%	16% polyester/ 84% vinyl on polyester	116 (294.7)	√	√	√	√	√	48310, 48319
			21% polyester/ 79% vinyl on polyester							48312, 48314, 48317, 48318
			24% polyester/ 76% vinyl on polyester							48309, 48315, 48316
Venture	1%	99%	16% polyester/ 84% vinyl on polyester	96 (243.9)	√	√	√	√	All	

# Features

## Light Gaps

A light gap will be present on inside mounted shades. An outside mount with overlap is recommended to eliminate light gap.

Control Type	Light Gap Per Side inches (cm)
Continuous-Loop Lift No Cassette	$\frac{3}{16}$ (1.5) to $\frac{1}{2}$ (2.1)
Continuous-Loop Lift with Cassette	$\frac{3}{16}$ (1.5) to 1 (2.6)
Motorized Lift with Cassette	1 (2.6) to $1\frac{3}{16}$ (3.4)

## Fabric Recommendations

Please order all shades at the same time to ensure color consistency and minimize dye lot variation.

## Fabric Disclaimers

Due to the nature of the weaving process, some imperfection in the weave is normal.

Roll direction cannot be reversed after a shade is ordered.

Fabric appearance can vary based on changing lighting conditions.

Fabrics turned width for height (referred to as railroaded) may curl along the edge. With extremely wide or railroaded shades, a V shape may appear in the center of the panel. This is expected behavior and occurs due to the weight of the fabric. This is not a defect in the product.

## Fabric Certifications

**GREENGUARD Indoor Air Quality Certified® Fabrics:** Many Graber® fabrics have been certified by GREENGUARD Environmental Institute (GEI) to be low chemical and particle emitting fabrics, providing a healthier indoor air quality. The process used for certification complies with established indoor air quality standards and is performed by a third party lab. Please see [graberblinds.com](http://graberblinds.com) for more information.

[greenguard.org](http://greenguard.org)

GREENGUARD Indoor Air Quality Certified is a registered trademark of the GREENGUARD Environmental Institute.

## Large Window Sizing

Some fabrics can be turned 90° clockwise (width for height) to accommodate wider windows. In these cases some solar fabrics can be seamed for longer lengths. Fabrics turned width for height (referred to as railroaded) may curl along the edge. This is not a defect in the product.

## Light Control and Privacy

**Privacy:** Solar shades do not offer nighttime privacy—lighted interiors allow inward visibility. If complete privacy is desired, consider adding an additional window treatment.



## Size Considerations

### Continuous-Loop Lift and Motorized Lift: Maximum Shade Size

	Normal Fabric Orientation					
	Continuous-Loop Lift Medium Cassette		Continuous-Loop Lift Large Cassette/ No Cassette/ No Valance		120 Volt Motor Large Cassette	
	Fabric	Width inches (cm)	Height inches (cm)	Width inches (cm)	Height inches (cm)	Width inches (cm)
Broadcast	77 (195.6)	111 (282.0)	117 (297.2)	144 (365.8)	117 (297.2)	144 (365.8)
Chronicles	97 (246.4)	119 (302.3)	97 (246.4)	144 (365.8)	97 (246.4)	144 (365.8)
Merit	97 (246.4)	119 (302.3)	97 (246.4)	144 (365.8)	97 (246.4)	144 (365.8)
Monticello	77 (195.6)	107 (271.8)	97 (246.4)	144 (365.8)	97 (246.4)	144 (365.8)
Paradigm	82 (208.3)	121 (307.4)	97 (246.4)	144 (365.8)	97 (246.4)	144 (365.8)
Plexus 1%	74 (188.0)	109 (276.9)	116 (294.7)	124 (315.0)	117 (297.2)	144 (365.8)
Plexus 3%	75 (190.5)	112 (284.5)	117 (297.2)	133 (337.9)	117 (297.2)	144 (365.8)
Plexus 5%	75 (190.5)	122 (309.9)	117 (297.2)	144 (365.8)	117 (297.2)	144 (365.8)
Reaction	97 (246.4)	119 (302.3)	97 (246.4)	144 (365.8)	97 (246.4)	144 (365.8)
Resolve	97 (246.4)	105 (266.7)	97 (246.4)	144 (365.8)	97 (246.4)	144 (365.8)
Standard Weave 1%	107 (271.8)	114 (289.6)	117 (297.2)	144 (365.8)	117 (297.2)	144 (365.8)
Standard Weave 3%	108 (274.4)	114 (289.6)	117 (297.2)	144 (365.8)	117 (297.2)	144 (365.8)
Standard Weave 5%	108 (274.4)	124 (315.0)	117 (297.2)	144 (365.8)	117 (297.2)	144 (365.8)
Standard Weave 10%	108 (274.4)	130 (330.2)	117 (297.2)	144 (365.8)	117 (297.2)	144 (365.8)
Vanguard 1%	107 (271.8)	114 (289.6)	117 (297.2)	144 (365.8)	117 (297.2)	144 (365.8)
Vanguard 3%	108 (274.4)	114 (289.6)	117 (297.2)	144 (365.8)	117 (297.2)	144 (365.8)
Vanguard 5%	108 (274.4)	124 (315.0)	117 (297.2)	144 (365.8)	117 (297.2)	144 (365.8)
Venture	97 (246.4)	94 (238.8)	97 (246.4)	144 (365.8)	97 (246.4)	144 (365.8)

	Fabric Turned Width for Height (Railroaded)									
	Continuous-Loop Lift Medium Cassette		Continuous-Loop Lift Large Cassette/ No Cassette/ No Valance		Continuous-Loop Lift Large Cassette/ No Cassette/ No Valance at Max Width		120 Volt Motor Large Cassette at Max Height		120 Volt Motor Large Cassette at Max Width	
	Fabric	Width inches (cm)	Height inches (cm)	Width inches (cm)	Height inches (cm)	Width inches (cm)	Height inches (cm)	Width inches (cm)	Height inches (cm)	Width inches (cm)
Broadcast	77 (195.6)	111 (282.0)	128 (325.2)	133 (337.9)	128 (325.2)	133 (337.9)	127 (322.6)	144 (365.8)	144 (365.8)	74 (188.0)
Chronicles	NO RR	NO RR	NO RR	NO RR	NO RR	NO RR	NO RR	NO RR	NO RR	NO RR
Merit	NO RR	NO RR	NO RR	NO RR	NO RR	NO RR	NO RR	NO RR	NO RR	NO RR
Monticello	81 (205.8)	86 (218.5)	111 (282.0)	83 (210.9)	144 (365.8)	80 (203.2)	141 (358.2)	81 (205.8)	144 (365.8)	72 (182.9)
Paradigm	NO RR	NO RR	NO RR	NO RR	NO RR	NO RR	NO RR	NO RR	NO RR	NO RR
Plexus 1%	74 (188.0)	109 (276.9)	119 (302.3)	120 (304.8)	119 (302.3)	120 (304.8)	123 (312.5)	144 (365.8)	144 (365.8)	74 (188.0)
Plexus 3%	75 (190.5)	112 (284.5)	122 (309.9)	127 (322.6)	122 (309.9)	127 (322.6)	125 (317.5)	144 (365.8)	144 (365.8)	80 (203.2)
Plexus 5%	75 (190.5)	122 (309.9)	127 (322.6)	133 (337.9)	127 (322.6)	133 (337.9)	127 (322.6)	144 (365.8)	144 (365.8)	88 (223.6)
Reaction	NO RR	NO RR	NO RR	NO RR	NO RR	NO RR	NO RR	NO RR	NO RR	NO RR
Resolve	NO RR	NO RR	NO RR	NO RR	NO RR	NO RR	NO RR	NO RR	NO RR	NO RR
Standard Weave 1%	107 (271.8)	114 (289.6)	135 (342.9)	144 (365.8)	135 (342.9)	144 (365.8)	130 (330.2)	144 (365.8)	144 (365.8)	117 (297.2)
Standard Weave 3%	108 (274.4)	114 (289.6)	139 (353.1)	144 (365.8)	139 (353.1)	144 (365.8)	131 (332.8)	144 (365.8)	144 (365.8)	117 (297.2)
Standard Weave 5%	108 (274.4)	124 (315.0)	140 (355.6)	144 (365.8)	140 (355.6)	144 (365.8)	133 (337.9)	144 (365.8)	144 (365.8)	128 (325.2)
Standard Weave 10%	108 (274.4)	130 (330.2)	142 (360.7)	144 (365.8)	142 (360.7)	144 (365.8)	135 (342.9)	144 (365.8)	144 (365.8)	134 (340.4)
Vanguard 1%	107 (271.8)	114 (289.6)	135 (342.9)	144 (365.8)	135 (342.9)	144 (365.8)	130 (330.2)	144 (365.8)	144 (365.8)	117 (297.2)
Vanguard 3%	108 (274.4)	114 (289.6)	139 (353.1)	144 (365.8)	139 (353.1)	144 (365.8)	131 (332.8)	144 (365.8)	144 (365.8)	117 (297.2)
Vanguard 5%	108 (274.4)	124 (315.0)	140 (355.6)	144 (365.8)	140 (355.6)	144 (365.8)	133 (337.9)	144 (365.8)	144 (365.8)	128 (325.2)
Venture	NO RR	NO RR	NO RR	NO RR	NO RR	NO RR	NO RR	NO RR	NO RR	NO RR

Due to continuous manufacturing improvements, minimums and maximums are subject to change. Please call customer service for up-to-date size considerations. These tables provide the maximum shade size available by fabric and cassette. Seams may be added to fabrics to accommodate long shade requirements. For shades longer than material width, seams will be visible when the shade is fully extended.

# Size Considerations

## How to Determine Maximum Shade Size

Follow these easy steps to determine maximum shade size and valance size from the maximum shade size tables.

1. Determine your fabric style, shade size, and cassette (or no cassette for continuous-loop lift) requirement.
2. Find the fabric in the first column.
3. Determine if your shade size is within the normal fabric orientation size range.
4. Identify the appropriate size cassette (or no cassette for continuous-loop lift) for your shade size.
5. If your shade size is larger than either the maximum width or height range, your fabric may be able to be turned width for height for larger shades. Use the fabric turned width for height (railroaded) table.

**EXAMPLE:** Determine the maximum allowable shade size and cassette for normal orientation shades. The example continuous-loop lift shade is 110" (279.4 cm) x 120" (304.8 cm) Vanguard 5% with cassette.

1. Find Vanguard 5% in the first column.
2. Follow the Vanguard 5% fabric row to the width and height sizes.
3. The maximum width and maximum height in normal fabric orientation available for this configuration is 117" (297.2 cm) x 144" (365.8 cm).  
**NOTE:** Both width and height must be less than the maximum width and height segment to fit the normal shade orientation.
4. Follow this segment to the top of the table. This segment is within the large cassette size indicating this shade's smallest segment cassette size available is a large size cassette.

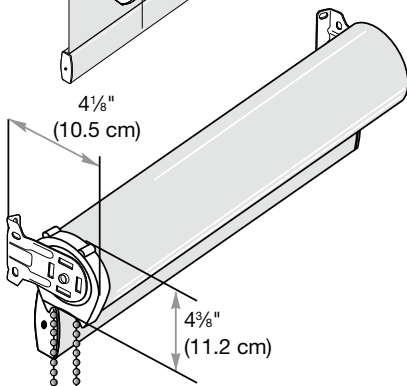
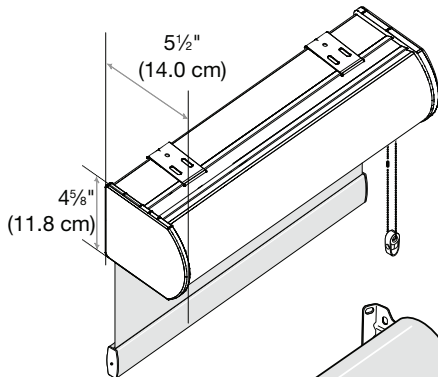
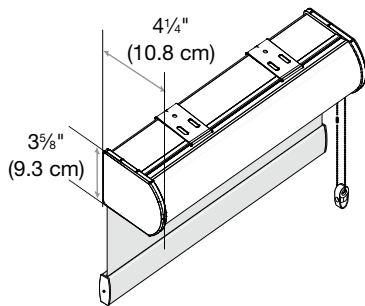
## Planning for Installation of Exterior Shades

Use the following planning guidelines for your exterior shade:

1. Determine the location of the shade.
2. Motorized lift shade: Determine the exterior power location. Measure the distance from the planned shade location to the electrical outlet or jbox to order the motor power cable lead length (10 feet (3.1 meters)).
3. Determine the side of the shade (left or right) the bead chain for continuous-loop lift or the motor power cable for motorized lift should exit.
4. For top mounts, large cassette installation: ½" (1.3 cm) spacing is required between the window and the back of the bracket.
5. For wall mounts, large cassette installation: ¾" (1.0 cm) clearance is required above bracket.
6. Use a stud finder to locate solid area to mount installation brackets.
7. Installation of motorized lift shades may require two people.
8. Never install exterior shades in windy conditions.
9. A licensed electrician is required for all electrical connections. All local and NEC codes must be followed.
10. The installation screws provided are for mounting on wood. For mounting on materials other than wood, please consult a qualified professional.

## Size Considerations

### Depth Requirements for Inside Mount



- The following diagrams illustrate the mounting depth requirements for shades mounted inside window casements or deck/porch frames
- Motorized lift shades come standard with the large cassette valance
- Continuous-loop lift shades shown

#### Medium Cassette Valance

- 1 3/4" (4.5 cm) minimum inside mount (continuous-loop lift only)

#### Large Cassette Valance

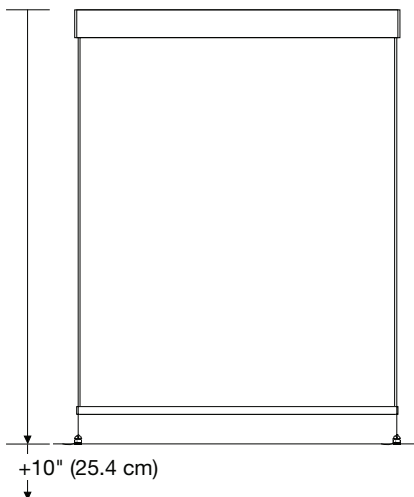
- 1 3/4" (4.5 cm) minimum inside mount

#### No Valance\*

- 3/4" (2.0 cm) minimum needed to attach bracket for an inside/side mount
- 4 1/8" (10.5 cm) minimum for an inside/top mount

\*Largest possible measurement given. This will vary with fabric and window dimensions.

### Guide Cables (Motorized Lift Shades Only)



Use the following to determine the guide cable length that will be provided with your shade:

1. Add 10" (25.4 cm) to the shade height.
2. The next longest cable length will be supplied.
  - Included in motorized lift pricing
  - Stainless steel guide cable
  - Four lengths available: 54" (137.2 cm), 80" (203.2 cm), 144" (365.8 cm), and 186" (472.5 cm)
  - Stainless steel cable locks included
  - Cables will be at least 10" (25.4 cm) longer than ordered height; longer cable can be cut to length needed

**EXAMPLE:** Shade height is 95" (241.3 cm). Add 10" (25.4 cm) = 105" (266.7 cm). Shade will come with a guide cable at 144" (365.8 cm). Cable can be cut to required length at time of installation.

#### Motor Power Cable

1. Estimate the number of feet from the cassette valance motor power cable exit to the electrical junction box or GFCI (Ground Fault Circuit Interrupter) outlet.
2. Select 10 feet (3.1 meters).

## Options

### Control Type Options

- Continuous-loop lift
- Motorized lift with guide cables

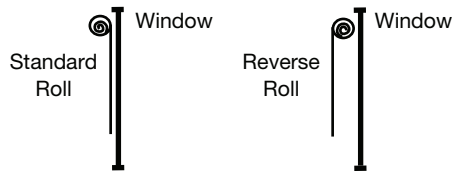
### Shade Options—No Charge

- Chain location
- Turning fabric width for height to accommodate wider windows
- Longer chain length
- Reverse roll
- Cable locks—motorized lift
- Guide cables—motorized lift
- Hold downs—continuous-loop lift

### Shade Options—Surcharge

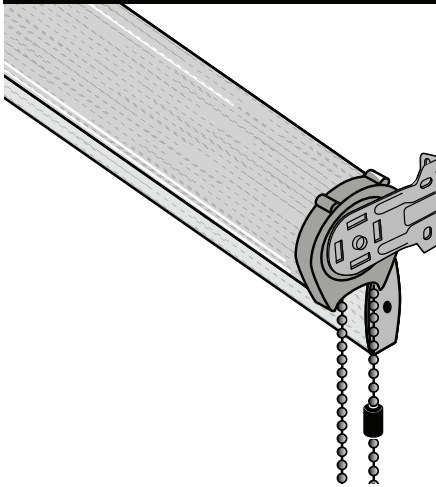
- Cassette valance
- Motorization accessories

## Reverse Roll



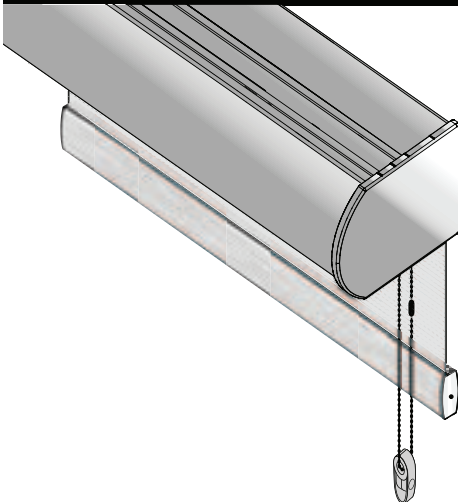
- **No charge**
  - Standard roll is where fabric rolls over the tube to the back
  - Reverse roll is where the fabric rolls over the tube to the front
  - Reverse roll not available with cassette valance
  - Roll direction cannot be changed after shade is manufactured
- NOTE:** For optimal privacy and light control, standard roll should be used.

## Continuous-Loop Lift



- **For pricing, see price chart**
  - Beaded chain and clutch system makes raising and lowering shade easy
  - Two clutch sizes depending on shade size
  - Stainless bead chain stays same length regardless of shade position
  - Bead chain length is approximately  $\frac{7}{8}$  length of shade; customer can request longer chain length at time of order
  - Chain is kept at a constant length and held taut by a safety hold down device
- NOTE:** Hold down device must be installed to operate the shade.
- Choose left or right chain location (right is standard)
  - Optional powder-coated cassette valance comes in two sizes (medium or large) and four colors: Black 939, Brown 873, Vanilla 970, White 871
  - Component and cassette valance color is selectable
  - Hem bar hold downs attach the shade to the frame of the window or deck/patio
  - Fabrics and components are specifically designed for outdoor use
- NOTE:** All exterior shades must be fully raised in wind and inclement weather.

## Curved Cassette Valance



- **For surcharge, see price chart**
- Curved, sleek, aluminum-extruded cassette valance
- Available in four colors: Black 939, Brown 873, Vanilla 970, White 871
- Powder-coated finish
- Rated for outdoor use
- Curved cassette valance must be ordered at the same time as the continuous-loop lift shade (**NOTE:** Automatically comes with motorized lift.)
- Sizes: medium  $3\frac{5}{8}$ " (9.3 cm) high x  $4\frac{1}{4}$ " (10.8 cm) deep (continuous-loop lift only); large  $4\frac{5}{8}$ " (11.8 cm) high x  $5\frac{1}{2}$ " (14.0 cm) deep

# Options

## Motorized Lift

- **For pricing, see price charts**
- Components are rated for exterior use
- Motorized lift shades come standard with a radio frequency AC motor providing convenient operation through wireless remote controllers and wall switches
- Powered using a 3-prong plug (residential outlet) (sold separately) or wired directly by an electrician
- Radio frequency operation allows shade operation from virtually anywhere without direct line of sight; no wiring is required between the motor and the controllers
- Upper and lower motor limits are pre-programmed for added convenience
- Large cassette valance is included in price, available in four colors: Black 939, Brown 873, Vanilla 970, White 871
- Universal cable locks are standard
- Guide cables are secured with unique, universal cable lock that can be mounted base/sill or back/wall
- Guide cables determined by shade height; 54" (137.2 cm), 80" (203.2 cm), 144" (365.8 cm), 186" (472.5 cm)

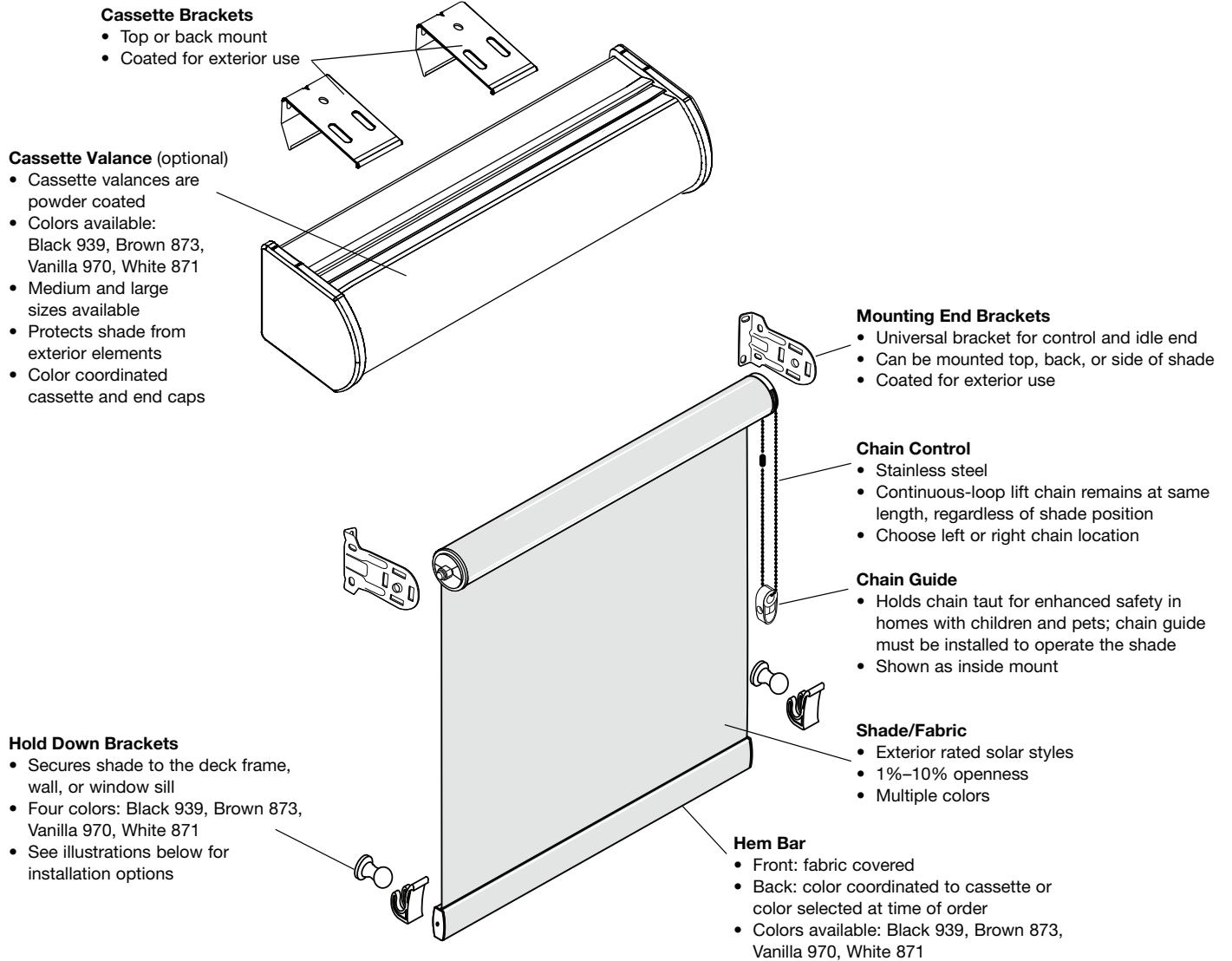
### Motorized Lift Options

- Controllers and wall switches are wireless, providing installation and operation convenience
- 1- and 5-channel remote controllers operate individual or groups of shades
- Exterior rated remote controls are water resistant and shock proof
- Interior remote controllers and wireless wall switches can operate the same shades
- Interior wireless 1- and 5-channel wall switches provide convenient operation of individual or groups of shades from inside the home
- Wind sensor will automatically raise the shade in windy conditions, providing protection of your shades
- Choose left or right motor power cable location
- Power cable length available: 10 feet (3.1 meters)
- Exterior rated black plug available

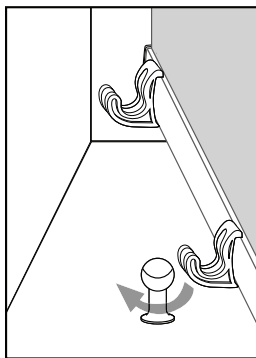


# General Information

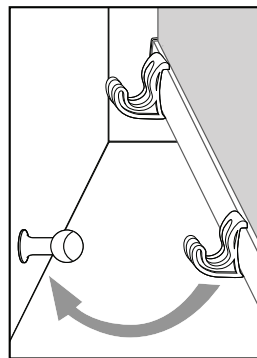
## Exterior Continuous-Loop Lift Product Detail



**NOTE:** The installation screws provided are for mounting on wood. For mounting on materials other than wood, please consult a qualified contractor.



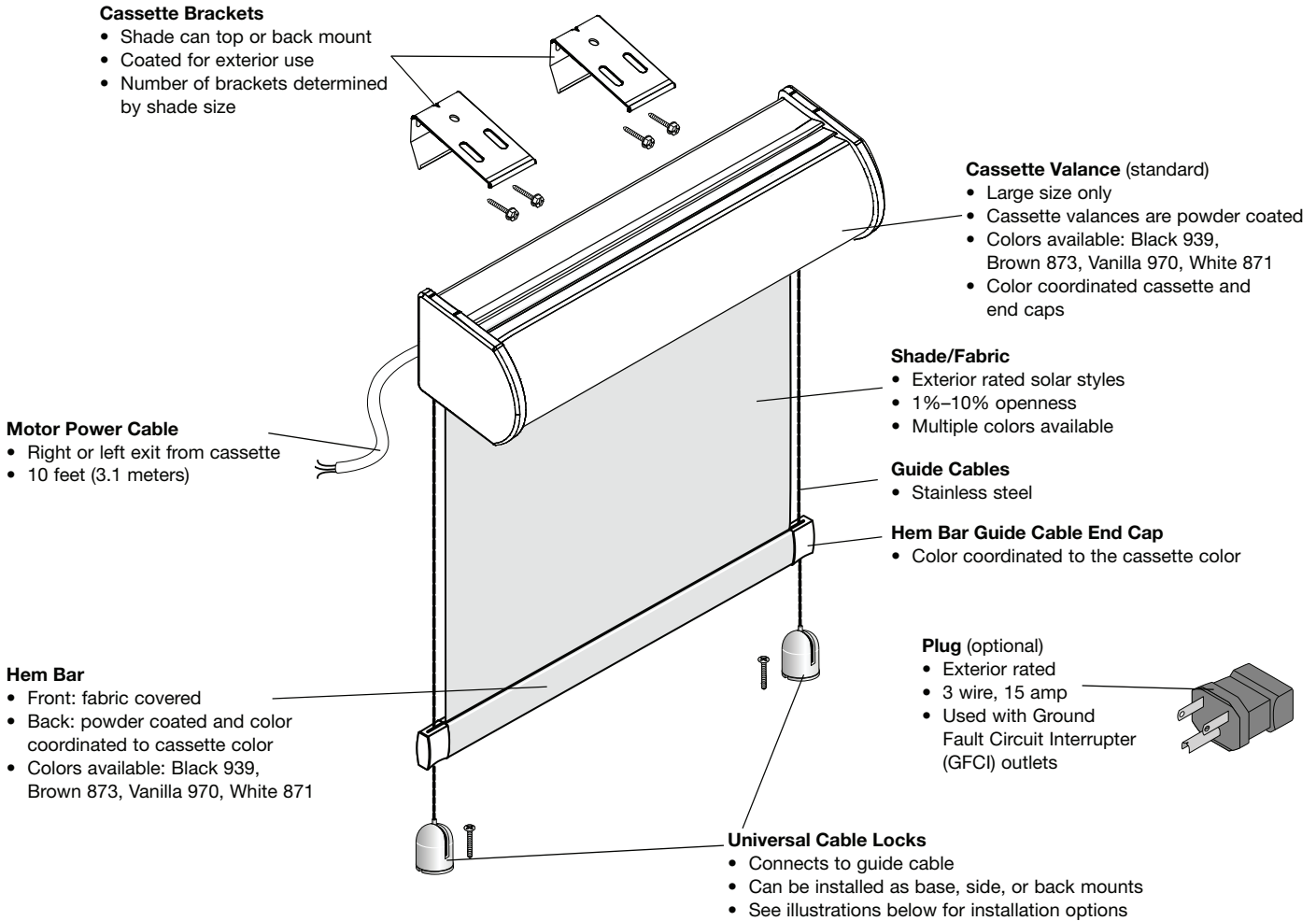
Base/Sill Mount



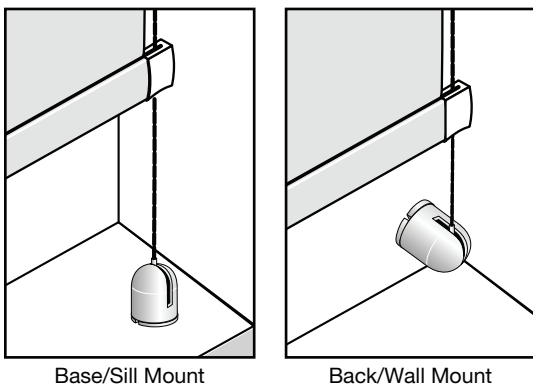
Back/Wall Mount

# General Information

## Exterior Motorized Lift Shade Product Detail



**NOTES:** A licensed electrician is required for all electrical connections. All local and NEC codes must be followed. The installation screws provided are for mounting on wood. For mounting on materials other than wood, please consult a qualified contractor.



## Price Charts

### Price Group CA: Continuous-Loop Lift: Broadcast, Chronicles, Monticello, Plexus 1%, Plexus 3%, Plexus 5%, Standard Weave 1%, Standard Weave 3%, Standard Weave 5%, Standard Weave 10%, Vanguard 1%, Vanguard 3%, Vanguard 5%, Venture

Height up to inches (cm)	Width up to inches (cm) →															
	24 (61.0)	32 (81.3)	36 (91.5)	42 (106.7)	48 (122.0)	54 (137.2)	60 (152.4)	66 (167.7)	72 (182.9)	78 (198.2)	84 (213.4)	96 (243.9)	108 (274.4)	120 (304.8)	132 (335.3)	144 (365.8)
36 (91.5)	\$177	189	200	211	220	242	263	283	308	389	409	459	502	555	616	685
42 (106.7)	180	191	208	225	242	266	289	312	339	420	446	496	549	604	672	746
48 (114.3)	185	195	215	239	260	289	315	342	368	453	481	532	585	656	726	807
54 (137.2)	191	198	222	251	279	310	341	368	394	487	513	573	633	704	781	868
60 (152.4)	198	202	230	263	296	330	364	393	421	519	546	612	679	754	836	929
66 (167.7)	202	207	244	282	317	363	391	421	452	553	576	643	726	804	891	990
72 (182.9)	209	219	258	299	339	397	416	450	481	585	608	671	771	853	947	1052
78 (198.2)	215	235	275	316	357	408	439	475	511	620	651	714	815	901	1001	1110
84 (213.4)	221	248	290	332	376	419	461	501	540	656	690	756	857	947	1052	1168
96 (243.9)	228	267	316	364	413	463	512	556	599	732	802	888	986	1095	1206	1316
108 (274.4)	246	302	355	409	464	519	574	624	672	826	875	985	1197	1331	1464	1597
120 (304.8)	272	334	394	457	517	576	638	694	747	917	1026	1170	1298	1442	1587	1659
132 (335.3)	326	383	437	505	573	642	709	769	830	1019	1094	1288	1441	1602	1762	1842
144 (365.8)	336	411	487	561	636	711	784	853	921	1129	1298	1430	1599	1777	1954	2043
<b>Option Surcharges: Add Surcharge to Shade Price</b>																
Medium Cassette Valance	\$100	105	111	121	131	139	146	154	162	174	189	202	217	233	250	268
Large Cassette Valance	119	125	132	145	156	166	175	186	195	209	226	242	260	279	300	322

### Solar Style and Colors

Broadcast	Plexus 5%	Standard Weave 10%	Vanguard 5%
Alfresco . . . . . 47504	Soapstone . . . . . 47801	Café Doppio . . . . . 48407	Authentic . . . . . 48309
Cashmere . . . . . 47503	Sublime Gray . . . . . 47812	Calcite . . . . . 48401	Chrome . . . . . 48315
Constellation . . . . . 47501	Tranquility . . . . . 47811	Chiseled . . . . . 48408	Cortina . . . . . 48310
Continental . . . . . 47508	<b>Standard Weave 1%</b>	Infalible . . . . . 48403	Dew . . . . . 48314
Genuine . . . . . 47513	Café Doppio . . . . . 47907	Once . . . . . 48404	Elusive . . . . . 48312
Gourmet . . . . . 47514	Calcite . . . . . 47901	Veranda . . . . . 48405	Homage . . . . . 48317
Motif . . . . . 47505	Chiseled . . . . . 47908	<b>Vanguard 1%</b>	Obsidian . . . . . 48319
Serenade . . . . . 47515	Infalible . . . . . 47903	Authentic . . . . . 47909	Peloton . . . . . 48318
Simplicity . . . . . 47509	Once . . . . . 47904	Chrome . . . . . 47915	Pendulum . . . . . 48316
Sonnet . . . . . 47502	Polished . . . . . 47906	Cortina . . . . . 47910	<b>Venture</b>
Taliesin . . . . . 47506	Veranda . . . . . 47905	Dew . . . . . 47914	Backdrop . . . . . 46906
<b>Chronicles</b>	<b>Standard Weave 3%</b>	Elusive . . . . . 47912	Capture . . . . . 46902
Skyline . . . . . 49202	Café Doppio . . . . . 48207	Homage . . . . . 47917	Iconic . . . . . 46901
Sumatra . . . . . 49203	Calcite . . . . . 48201	Obsidian . . . . . 47919	Minimal . . . . . 46904
Tuxedo . . . . . 49204	Chiseled . . . . . 48208	Peloton . . . . . 47918	Vibe . . . . . 46905
<b>Monticello</b>	Infalible . . . . . 48203	Pendulum . . . . . 47916	
Rust . . . . . 40445	Once . . . . . 48204	<b>Vanguard 3%</b>	
<b>Plexus 1%</b>	Veranda . . . . . 48205	Authentic . . . . . 48209	
Soapstone . . . . . 47601	<b>Standard Weave 5%</b>	Chrome . . . . . 48215	
Sublime Gray . . . . . 47612	Café Doppio . . . . . 48307	Cortina . . . . . 48210	
Tranquility . . . . . 47611	Calcite . . . . . 48301	Dew . . . . . 48214	
<b>Plexus 3%</b>	Chiseled . . . . . 48308	Elusive . . . . . 48212	
Soapstone . . . . . 47701	Infalible . . . . . 48303	Homage . . . . . 48217	
Sublime Gray . . . . . 47712	Once . . . . . 48304	Obsidian . . . . . 48219	
Tranquility . . . . . 47711	Veranda . . . . . 48305	Peloton . . . . . 48218	
		Pendulum . . . . . 48216	

## Price Charts

### Price Group CB: Continuous-Loop Lift: Merit, Paradigm, Reaction, Resolve

Height up to inches (cm)	Width up to inches (cm) →													
	24 (61.0)	32 (81.3)	36 (91.5)	42 (106.7)	48 (122.0)	54 (137.2)	60 (152.4)	66 (167.7)	72 (182.9)	78 (198.2)	84 (213.4)	96 (243.9)	108 (274.4)	
36 (91.5)	\$195	207	219	231	242	265	289	310	337	426	448	502	550	
42 (106.7)	197	209	228	247	265	292	316	341	371	461	487	543	601	
48 (114.3)	203	214	236	261	285	316	345	374	403	496	527	583	643	
54 (137.2)	209	217	244	275	307	339	373	403	432	533	562	628	693	
60 (152.4)	217	222	252	289	323	362	398	431	462	569	597	672	743	
66 (167.7)	222	227	267	309	348	397	428	462	495	606	632	704	796	
72 (182.9)	229	240	282	328	371	435	457	492	527	643	667	735	845	
78 (198.2)	236	257	301	347	391	447	481	520	560	679	712	782	893	
84 (213.4)	243	272	317	364	413	460	504	549	591	718	756	828	940	
96 (243.9)	251	293	347	398	453	506	561	609	656	802	878	972	1079	
108 (274.4)	270	331	389	448	507	569	629	684	736	905	959	1078	1311	
120 (304.8)	298	365	432	500	567	632	698	760	818	1005	1125	1282	1423	
132 (335.3)	357	420	480	553	628	702	777	842	909	1116	1199	1411	1579	
144 (365.8)	368	450	533	614	697	779	860	933	1009	1238	1423	1567	1751	

### Option Surcharges: Add Surcharge to Shade Price

Medium Cassette Valance	\$100	105	111	121	131	139	146	154	162	174	189	202	217
Large Cassette Valance	119	125	132	145	156	166	175	186	195	209	226	242	260

### Solar Style and Colors

Merit	Paradigm	Reaction	Resolve
Atmosphere..... 49504	Declaration ..... 49106	Adventures ..... 48702	Joyful..... 48601
Cavalier ..... 49506	Intrepid ..... 49103	Coveted..... 48704	Studio ..... 48602
Clarity ..... 49501	Relic..... 49101	Fate ..... 48703	
Emulation..... 49503			
Exquisite ..... 49505			
Panoramic..... 49502			

## Price Charts

### Price Group MA: Motorized Lift: Broadcast, Chronicles, Monticello, Plexus 1%, Plexus 3%, Plexus 5%, Standard Weave 1%, Standard Weave 3%, Standard Weave 5%, Standard Weave 10%, Vanguard 1%, Vanguard 3%, Vanguard 5%, Venture

Height up to inches (cm)	Width up to inches (cm) →															
	24 (61.0)	32 (81.3)	36 (91.5)	42 (106.7)	48 (122.0)	54 (137.2)	60 (152.4)	66 (167.7)	72 (182.9)	78 (198.2)	84 (213.4)	96 (243.9)	108 (274.4)	120 (304.8)	132 (335.3)	144 (365.8)
36 (91.5)	\$1776	1821	1872	1921	1947	2020	2042	2102	2133	2162	2229	2360	2497	2655	2861	3153
42 (106.7)	1797	1852	1899	1944	1969	2043	2068	2136	2195	2214	2271	2409	2545	2712	2903	3194
48 (114.3)	1819	1885	1927	1970	1988	2064	2094	2168	2245	2270	2309	2458	2591	2772	2946	3236
54 (137.2)	1841	1916	1954	1994	2011	2087	2121	2199	2267	2321	2350	2508	2638	2828	2990	3278
60 (152.4)	1858	1930	1974	2020	2032	2108	2146	2231	2304	2351	2385	2556	2693	2842	3049	3319
66 (167.7)	1883	1947	1994	2042	2055	2132	2172	2263	2343	2396	2427	2609	2754	2896	3079	3362
72 (182.9)	1900	1960	2011	2061	2108	2154	2198	2296	2382	2446	2478	2662	2798	2947	3143	3420
78 (198.2)	1919	1979	2035	2088	2134	2179	2224	2329	2419	2487	2527	2710	2843	3001	3189	3479
84 (213.4)	1933	1990	2053	2115	2163	2211	2251	2359	2457	2527	2571	2761	2888	3029	3236	3548
96 (243.9)	1970	2039	2090	2142	2192	2242	2279	2391	2495	2567	2619	2813	2989	3126	3331	3649
108 (274.4)	2006	2066	2112	2161	2213	2265	2324	2430	2555	2638	2695	2866	3090	3224	3430	3754
120 (304.8)	2044	2126	2160	2196	2251	2302	2376	2490	2616	2702	2775	2905	3186	3318	3525	3849
132 (335.3)	2081	2152	2173	2236	2305	2377	2420	2555	2679	2772	2851	2944	3286	3414	3622	3949
144 (365.8)	2120	2194	2213	2283	2352	2421	2466	2645	2727	2842	2935	3019	3388	3511	3718	4052

Pricing includes radio frequency motor, power cord, guide cable, cable locks, and large cassette.

#### Motorization Controls

Radio Frequency Remote Controls	
Telis 1 Single Channel RF Remote: White	\$108
Telis 1 Single Channel RF Remote: Black or Silver	176
Telis 1 Single Channel Exterior RF Remote: White/Blue	134
Telis 4 Five Channel RF Remote: White	145
Telis 4 Five Channel RF Remote: Black or Silver	198
Telis 4 Five Channel Exterior RF Remote: White/Blue	146
Telis 16 Channel Remote: White or Silver	590

#### Radio Frequency Wall Switches

DecoFlex Single Channel Wall Switch: White or Ivory	\$280
DecoFlex Single Channel Wall Switch: Black	340
DecoFlex Five Channel Wall Switch: White or Ivory	308
DecoFlex Five Channel Wall Switch: Black	350

#### 120 Volt Exterior Power

120 Volt Exterior Electrical 3-Prong Plug: 15 Amp	\$53
---	------

#### Additional Radio Frequency Controls

RF Wind Sensor (includes exterior power cord with 3-prong plug)	\$525
---	-------

### Solar Style and Colors

Broadcast	Plexus 5%	Standard Weave 10%	Vanguard 5%
Alfresco . . . . . 47504	Soapstone . . . . . 47801	Café Doppio . . . . . 48407	Authentic . . . . . 48309
Cashmere . . . . . 47503	Sublime Gray . . . . . 47812	Calcite . . . . . 48401	Chrome . . . . . 48315
Constellation . . . . . 47501	Tranquility . . . . . 47811	Chiseled . . . . . 48408	Cortina . . . . . 48310
Continental . . . . . 47508	<b>Standard Weave 1%</b>	Infalible . . . . . 48403	Dew . . . . . 48314
Genuine . . . . . 47513	Café Doppio . . . . . 47907	Once . . . . . 48404	Elusive . . . . . 48312
Gourmet . . . . . 47514	Calcite . . . . . 47901	Veranda . . . . . 48405	Homage . . . . . 48317
Motif . . . . . 47505	Chiseled . . . . . 47908	<b>Vanguard 1%</b>	Obsidian . . . . . 48319
Serenade . . . . . 47515	Infalible . . . . . 47903	Authentic . . . . . 47909	Peloton . . . . . 48318
Simplicity . . . . . 47509	Once . . . . . 47904	Chrome . . . . . 47915	Pendulum . . . . . 48316
Sonnet . . . . . 47502	Polished . . . . . 47906	Cortina . . . . . 47910	<b>Venture</b>
Taliesin . . . . . 47506	Veranda . . . . . 47905	Dew . . . . . 47914	Backdrop . . . . . 46906
<b>Chronicles</b>	<b>Standard Weave 3%</b>	Elusive . . . . . 47912	Capture . . . . . 46902
Skyline . . . . . 49202	Café Doppio . . . . . 48207	Homage . . . . . 47917	Iconic . . . . . 46901
Sumatra . . . . . 49203	Calcite . . . . . 48201	Obsidian . . . . . 47919	Minimal . . . . . 46904
Tuxedo . . . . . 49204	Chiseled . . . . . 48208	Peloton . . . . . 47918	Vibe . . . . . 46905
<b>Monticello</b>	Infalible . . . . . 48203	Pendulum . . . . . 47916	
Rust . . . . . 40445	Once . . . . . 48204	<b>Vanguard 3%</b>	
<b>Plexus 1%</b>	Veranda . . . . . 48205	Authentic . . . . . 48209	
Soapstone . . . . . 47601	<b>Standard Weave 5%</b>	Chrome . . . . . 48215	
Sublime Gray . . . . . 47612	Café Doppio . . . . . 48307	Cortina . . . . . 48210	
Tranquility . . . . . 47611	Calcite . . . . . 48301	Dew . . . . . 48214	
<b>Plexus 3%</b>	Chiseled . . . . . 48308	Elusive . . . . . 48212	
Soapstone . . . . . 47701	Infalible . . . . . 48303	Homage . . . . . 48217	
Sublime Gray . . . . . 47712	Once . . . . . 48304	Obsidian . . . . . 48219	
Tranquility . . . . . 47711	Veranda . . . . . 48305	Peloton . . . . . 48218	
		Pendulum . . . . . 48216	

## Price Charts

### Price Group MB: Motorized Lift: Merit, Paradigm, Reaction, Resolve

Height up to inches (cm)	Width up to inches (cm) →												
	24 (61.0)	32 (81.3)	36 (91.5)	42 (106.7)	48 (122.0)	54 (137.2)	60 (152.4)	66 (167.7)	72 (182.9)	78 (198.2)	84 (213.4)	96 (243.9)	108 (274.4)
36 (91.5)	\$1794	1839	1891	1941	1969	2043	2068	2129	2162	2199	2268	2403	2545
42 (106.7)	1814	1870	1919	1966	1992	2069	2095	2165	2227	2255	2312	2456	2597
48 (114.3)	1837	1904	1948	1992	2013	2091	2124	2200	2280	2313	2355	2509	2649
54 (137.2)	1859	1935	1976	2018	2039	2116	2153	2234	2305	2367	2399	2563	2698
60 (152.4)	1877	1950	1996	2046	2059	2140	2180	2269	2345	2401	2436	2616	2757
66 (167.7)	1903	1967	2017	2069	2086	2166	2209	2304	2386	2449	2483	2670	2824
72 (182.9)	1920	1981	2035	2090	2140	2192	2239	2338	2428	2504	2537	2726	2872
78 (198.2)	1940	2001	2061	2119	2168	2218	2266	2374	2468	2546	2588	2778	2921
84 (213.4)	1955	2014	2080	2147	2200	2252	2294	2407	2508	2589	2637	2833	2971
96 (243.9)	1993	2065	2121	2176	2232	2285	2328	2444	2552	2637	2695	2897	3082
108 (274.4)	2030	2095	2146	2200	2256	2315	2379	2490	2619	2717	2779	2959	3204
120 (304.8)	2070	2157	2198	2239	2301	2358	2436	2556	2687	2790	2874	3017	3311
132 (335.3)	2112	2189	2216	2284	2360	2437	2488	2628	2758	2869	2956	3067	3424
144 (365.8)	2152	2233	2259	2336	2413	2489	2542	2725	2815	2951	3060	3156	3540

Pricing includes radio frequency motor, power cord, guide cable, cable locks, and large cassette.

#### Motorization Controls

##### Radio Frequency Remote Controls

Telis 1 Single Channel RF Remote: White	\$108
Telis 1 Single Channel RF Remote: Black or Silver	176
Telis 1 Single Channel Exterior RF Remote: White/Blue	134
Telis 4 Five Channel RF Remote: White	145
Telis 4 Five Channel RF Remote: Black or Silver	198
Telis 4 Five Channel Exterior RF Remote: White/Blue	146
Telis 16 Channel Remote: White or Silver	590

##### Radio Frequency Wall Switches

DecoFlex Single Channel Wall Switch: White or Ivory	\$280
DecoFlex Single Channel Wall Switch: Black	340
DecoFlex Five Channel Wall Switch: White or Ivory	308
DecoFlex Five Channel Wall Switch: Black	350

##### 120 Volt Exterior Power

120 Volt Exterior Electrical 3-Prong Plug: 15 Amp	\$53
---	------

##### Additional Radio Frequency Controls

RF Wind Sensor (includes exterior power cord with 3-prong plug)	\$525
---	-------

### Solar Style and Colors

Merit	Paradigm	Reaction	Resolve
Atmosphere..... 49504	Declaration ..... 49106	Adventures ..... 48702	Joyful..... 48601
Cavalier ..... 49506	Intrepid ..... 49103	Coveted..... 48704	Studio ..... 48602
Clarity ..... 49501	Relic..... 49101	Fate ..... 48703	
Emulation..... 49503			
Exquisite ..... 49505			
Panoramic ..... 49502			

## Options Pricing

Options Pricing	
Option	Surcharge
Cable Locks (Motorized Lift)	No charge
Cassette Valance	Continuous-loop lift: see price chart surcharges Motorized lift: included in price
Component Colors	No charge
Continuous-Loop Lift	Standard: see continuous-loop lift price chart
Specific Channel Assignment (Motorized Lift)	No charge
Fabric Turned 90° Width for Height (Railroaded)	No charge
Guide Cables (Motorized Lift)	No charge
Hold Down Brackets (Continuous-Loop Lift)	No charge
Motorized Lift	See motorization price list for pricing
Motorized Lift Accessories	See motorization price list for pricing
Reverse Roll	No charge
Seaming	No charge
Stainless Steel Chain	No charge



Graber is a brand of Springs Window Fashions, the Best Experience Company 

Graber and the Graber logo are registered trademarks of Springs Window Fashions, LLC.  
SheerWeave is a registered trademark of Phifer Incorporated.

19-0749-00 (06/17) 17-5477|S17-4720