

FRESCO® ROMAN SHADES

Table of Contents

Features

Summary	2
Oeko-Tex® Standard 100 Certified Fabrics	2
Fabric Styles and Information	3
Light Control and Privacy	3
Fabric Disclaimers	3

Size Considerations

Cord Lift, Depth Requirements for Inside Mount	4
Cordless Lift, Depth Requirements for Inside Mount	5
Continuous-Loop Lift, Depth Requirements for Inside Mount	6

Options

Shade Options: For Surcharges and Pricing Refer to Pricing Section	7
Cord Lift, Cordless Lift	8
Continuous-Loop Lift	9
Motorized Lift	10
Bottom Up/Top Down: Cord Lift, Fabric Valance Only	11
Multiple Shades on One Headrail	12
Bead Trim, Gimp Trim	13
Corner Windows	14
Bay Windows	15-16

General Information

Shade Stack Height Chart, Bottom Panel Heights	17
Panel Count Chart: Cord Lift	18
Panel Count Chart: Cordless, Continuous-Loop, and Motorized Lift	19
Panel Count Chart: Bottom Up/Top Down Cord Lift	20
Flat Style Product Detail	21
Looped Style Product Detail	22
Cordless Lift Product Detail	23
Continuous-Loop Lift Product Detail	24
Bottom Up/Top Down Cord Lift Product Detail	25

Price Charts and Options Pricing

Price Group A: Grasses, Regal	27
Price Group B: Cristale, Crossweave, Desert, Madrid, Royale, Suburban, Versailles	28
Options Pricing, Fabric Valance-Only Pricing	29

Features

Graber® Fresco® Roman shades offer the softness of drapery with the practicality of a shade, featuring a variety of fabric styles, color, textures, and light control. Select either the classic flat or the looped style—whichever shade best suits your decorating style.

- Finished edges guarantee fabric will not fray
- Fabric valance, **free of charge** at a time of order, creates a finished look
- Clear sill rail protects the bottom of the shade from dirt and wear
- Oeko-Tex® certified fabrics
- Components are color coordinated to fabric

Features	Benefits
Looped Style with Soft Folds of Fabric	<ul style="list-style-type: none"> • Provides a dimensional look with an emphasis on elegance
Flat Style with Fabric Panels	<ul style="list-style-type: none"> • Provides classic styling; perfect for any decorating style
Neutral Street Side Appearance	<ul style="list-style-type: none"> • Windows have consistent look from the street
Finished Edges	<ul style="list-style-type: none"> • Prevents edges from fraying
All Panels Always Full Size; bottom panel adjusted according to height of shade	<ul style="list-style-type: none"> • Gives improved appearance when multiple shades are used in the same room
All Shade Components are Color Coordinated	<ul style="list-style-type: none"> • Color coordination with front fabric for a clean, neat look
Fabric Valance or Cornice	<ul style="list-style-type: none"> • Provides a finished look to the top of the shade • NOTE: Valance free of charge at a time or order
Shade is One Continuous Piece of Fabric	<ul style="list-style-type: none"> • Provides a unified, finished appearance
Continuous-Loop Lift	<ul style="list-style-type: none"> • Helps lift large, heavier shades
Bottom Up/Top Down Cord Lift	<ul style="list-style-type: none"> • Perfect for screening out unwanted views or maintaining privacy while enjoying natural sunlight • Great for bedrooms and bathrooms
Cordless Lift	<ul style="list-style-type: none"> • Provides safety with no external cords on front side • Clean aesthetics • Perfect for homes with children and pets
Motorized Lift	<ul style="list-style-type: none"> • Allows easy operation of hard-to-reach or large shades • Provides safety; no external cords on front side
Multiple Shades on One Headrail	<ul style="list-style-type: none"> • Provides a fabric solution for wider windows
Limited Lifetime Warranty	<ul style="list-style-type: none"> • Provides assurance for years of trouble-free operation
Mylar Tubes Inserted Between the Roman Panels Prior to Shipping	<ul style="list-style-type: none"> • Reduces wrinkling during shipping

Oeko-Tex® Standard 100 Certified Fabrics

Oeko-Tex Standard 100 certifies that our fabrics are free of PVC, halogen, lead, formaldehyde, allergenic dyes, pesticides, phenols, heavy metals, and meet all VOC content limits. Certified fabrics are Cristale, Crossweave, Desert, Grasses, Royale, and Versailles.

www.oeko-tex.com



Features

Fabric Styles and Information

Fabric Styles	Fabric Width inches (cm)	Light Control	Privacy	Color to Street Side	Fabric Content
Cristale	72 (182.9)	Light filtering	Moderate	Neutral	100% polyester with polyester backing
Crossweave	72 (182.9)	Light filtering	Moderate	Neutral	100% polyester with polyester backing
Desert	72 (182.9)	Light filtering	Moderate	Neutral	100% polyester with polyester backing
Grasses	72 (182.9)	Light filtering	Moderate	Neutral	88% polyester/7% cotton/5% flax
Madrid	58 (147.4)	Light filtering	Moderate	Neutral	100% polyester with polyester backing
Regal	72 (182.9)	Light filtering/room darkening	Moderate/ complete	Neutral	100% polyester with polyester backing
Royale	72 (182.9)	Light filtering	Moderate	Neutral	100% polyester with polyester backing
Suburban	72 (182.9)	Blackout	Complete	Neutral	100% polyester with polyester backing
Versailles	72 (182.9)	Light filtering/room darkening	Moderate/ complete	Neutral	100% polyester with polyester backing

Light Control and Privacy

Light Filtering: Allows light to gently filter through and provides privacy. Images and shapes may be seen through these shades, but details are not visible. Deep fabric color provide moderate light control; light color provide lower light control.

Room Darkening: Allows some light to filter into the room and provides privacy. Objects in a lit room seen through these shades appear as vague shapes. Deep fabric color darken a room; light color filter and diffuse bright sunlight.

Fabric Disclaimers

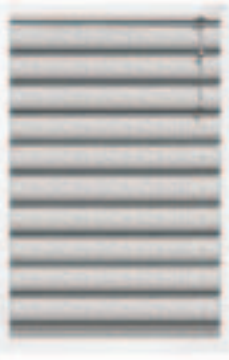


To ensure color consistency and avoid dye lot variation, please order all shades for the same room at the same time.

Fabrics cannot be seamed or overlapped.

Colors may appear to vary depending on the time of day and lighting type as well as when the shade is partially or fully lowered.



Size Considerations

Cord Lift

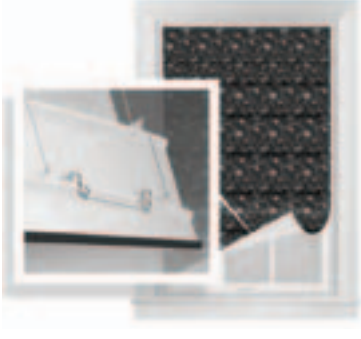

Fabric Styles	Price Group	Maximum Fabric Width inches (cm)													
			Standard Shade		Cord Lift Multiple Shades on One Headrail				Cord Lift Bottom Up/Top Down						
			Width		Height		Width		Height		Width		Height		
			Min* inches (cm)	Max	Min inches (cm)	Max inches (cm)	Min* Panel inches (cm)	Max Panel	Max Shade inches (cm)	Min Shade inches (cm)	Max Shade inches (cm)	Min* inches (cm)	Max inches (cm)	Min inches (cm)	Max inches (cm)
Cristale	B	72 (182.9)	16 (40.7)	See fabric width	18 (45.8)	96 (243.9)	16 (40.7)	See fabric width	192 (487.7)	18 (45.8)	96 (243.9)	16 (40.7)	72 (182.9) or fabric width	18 (45.8)	72 (182.9)
Crossweave	B	72 (182.9)													
Desert	B	72 (182.9)													
Grasses	A	72 (182.9)													
Madrid	B	58 (147.4)													
Regal	A	72 (182.9)													
Royale	B	72 (182.9)													
Suburban	B	72 (182.9)													
Versailles	B	72 (182.9)													

*For all inside mount applications, 3/8" (1.0 cm) deduction is taken by manufacturer on overall width.

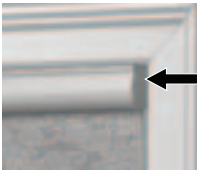

Depth Requirements for Inside Mount

	Standard Cord Lift Headrail Dimensions inches (cm)	 Minimum Headrail Depth Mount inches (cm)	 Headrail Flush with Casing inches (cm)
Flat	1 1/16 (1.8) x 1 1/16 (4.0)	3/4 (2.0)	1 7/8 (4.8)
Looped	1 1/16 (1.8) x 1 1/16 (4.0)	3/4 (2.0) (fabric loops will overhang approx. 3" (7.7 cm) into room)	1 7/8 (4.8) (fabric loops will overhang approx. 3" (7.7 cm) into room)

Size Considerations


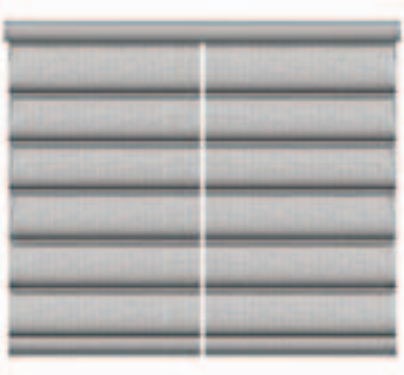
Cordless Lift											
Fabric Styles	Price Group	Maximum Fabric Width inches (cm)									
			Cordless Lift		Cordless Lift Multiple Shades on One Headrail		Cordless Lift		Cordless Lift Multiple Shades on One Headrail		
			Width		Height		Width		Height		
			Min* inches (cm)	Max	Min inches (cm)	Max inches (cm)	Min Panel* inches (cm)	Max Panel	Max Shade inches (cm)	Min Shade inches (cm)	Max Shade inches (cm)
Cristale	B	72 (182.9)	18 (45.8)	See fabric width	18 (45.8)	86 (218.5)	18 (45.8)	See fabric width	144 (365.8)	18 (45.8)	86 (218.5)
Crossweave	B	72 (182.9)									
Desert	B	72 (182.9)									
Grasses	A	72 (182.9)									
Madrid	B	58 (147.4)									
Regal	A	72 (182.9)									
Royale	B	72 (182.9)									
Suburban	B	72 (182.9)									
Versailles	B	72 (182.9)									

*For all inside mount applications, 3/8" (1.0 cm) deduction is taken by manufacturer on overall width.

Depth Requirements for Inside Mount			
	Cordless Lift Headrail Dimensions inches (cm)	 Partially recessed headrail in window casing/ molding Minimum Depth Mount inches (cm)	 Fully recessed headrail in window casing/ molding Flush with Casing inches (cm)
Flat	1½ (3.9) x 2 (5.1)	½ (1.3)	2½ (5.4)
Looped	1½ (3.9) x 2 (5.1)	½ (1.3) (fabric loops will overhang approx. 3" (7.7 cm) into room)	2½ (5.4) (fabric loops will overhang approx. 3" (7.7 cm) into room)

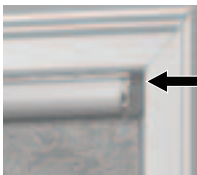

Size Considerations

Continuous-Loop Lift

Fabric Styles	Price Group	Maximum Fabric Width inches (cm)										
			Continuous-Loop Lift				Continuous-Loop Lift Multiple Shades on One Headrail					
			Width		Height		Width				Height	
			Min [*] inches (cm)	Max	Min inches (cm)	Max inches (cm)	Min Panel [*] inches (cm)	Max Panel	Max Shade One Control inches (cm)	Max Shade Two Control inches (cm)	Min Shade inches (cm)	Max Shade inches (cm)
Cristale	B	72 (182.9)	18 (45.8)	See fabric width	18 (45.8)	96 (243.9)	18 (45.8)	See fabric width	120 (304.8)	144 (365.8)	18 (45.8)	96 (243.9)
Crossweave	B	72 (182.9)										
Desert	B	72 (182.9)										
Grasses	A	72 (182.9)										
Madrid	B	58 (147.4)										
Regal	A	72 (182.9)										
Royale	B	72 (182.9)										
Suburban	B	72 (182.9)										
Versailles	B	72 (182.9)										

*For all inside mount applications, 3/8" (1.0 cm) deduction is taken by manufacturer on overall width.

Depth Requirements for Inside Mount

	Continuous-Loop Lift Headrail Dimensions inches (cm)	 Partially recessed headrail in window casing/molding Minimum Headrail Depth Mount inches (cm)	 Fully recessed headrail in window casing/molding Headrail Flush with Casing inches (cm)
Flat	1½ (3.9) x 2 (5.1)	½ (1.3)	2½ (5.4)
Looped	1½ (3.9) x 2 (5.1)	½ (1.3) (fabric loops will overhang approx. 3" (7.7 cm) into room)	2½ (5.4) (fabric loops will overhang approx. 3" (7.7 cm) into room)

Options

Shade Options: For Surcharges and Pricing Refer to Pricing Section

The following is a list of options for Fresco® Roman shades. All options are available in all styles and color. Limitations will be based on fabric width. See detailed descriptions on the following pages.

Control Type Options: see price charts for applicable cost and/or surcharges

- Standard cord controls
- Continuous-loop lift
- Cordless lift
- Motorized lift: see motorization price list

Shade Options—No Charge

- Bay and corner window shades
- Clear cord cleats (standard)
- Fabric valance (at time of order)
- Hold down brackets
- Projection brackets:
 - Long (adds up to 2½" (6.4 cm) extension from wall)
 - Medium (adds up to 1⅝" (4.2 cm) extension from wall)
 - Short (adds up to 1" (2.6 cm) extension from wall)
- Shims: ⅜" (0.5 cm)
- Side-mount brackets (inside mount only)

Shade Style Choices—see price charts for applicable cost

- 6" (15.3 cm) flat style shade
- 4⅝" (11.0 cm) looped pleat style shade

Shade Options—Surcharge

- Bottom up/top down cord lift
- Cord winder
- Decorative cord cleats
- Multiple shades on one headrail
- Valance gimp, fringe, bead trim
- Wood cornices: see wood cornice and valance price list

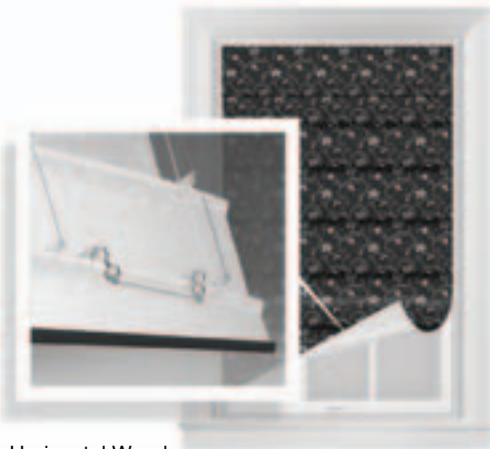
Options

Cord Lift



- **No charge**
- Cord control can be on the left or right-hand side
- Cord length is approximately 1/8" (0.9 cm) length of the shade; customer can request specific length at time of order
- Cord is color coordinated to shade fabric
- Available on both flat and looped styles

Cordless Lift



Horizontal Wand



Vertical Wand

- **For surcharges, see options pricing**
- Provides safety with no external cords on front of shade
- Ideal for homes with children or pets
- Provides clean aesthetics
- Available on both flat and looped styles
- Vertical wand used with bottom panels greater than 2 3/4" (7.0 cm)
- Horizontal wand is used with bottom panels less than 2 3/4" (7.0 cm)
- Shades wider than 48" (122.0 cm) will have two wands for shade operation

NOTE: All cordless lift shades need to be used on windows where consumers can comfortably raise and lower them.

Options

Continuous-Loop Lift



- **For surcharge, see options pricing**
- A single, white continuous-loop cord raises and lowers the shade; the cord is always the same length
- The clutch mechanism in the color coordinated aluminum headrail assists in raising and lowering the shade; it stops the shade at any point and holds the bottomrail level
- Continuous-loop lift stacks the fully raised shade more compactly than a standard cord and holds it more securely
- Continuous-loop lift comes with a locking cord loop guide; for shade operation, this tensioner must be installed
- Available on both flat and looped styles
- Not available on bottom up/top down
- Control length for continuous-loop lift shades varies based on the finished shade height (see below); optional cord loop length (sizes listed in chart) available upon request

Finished Shade Height inches (cm)	Cord Loop Length inches (cm)
12 (30.5) - 26 (66.1)	18 (45.8)
26 ¹ / ₁₆ (66.2) - 38 (96.6)	24 (61.0)
38 ¹ / ₁₆ (96.7) - 50 (127.0)	36 (91.5)
50 ¹ / ₁₆ (127.2) - 62 (157.5)	48 (122.0)
62 ¹ / ₁₆ (157.7) - 74 (188.0)	60 (152.4)
74 ¹ / ₁₆ (188.2) - 96 (243.9)	72 (182.9)

Optional cord lengths: 84" (213.4 cm), 96" (243.9 cm), 108" (274.4 cm), 144" (365.8 cm), and 180" (457.2 cm).

Options

Motorized Lift



- **Refer to motorization price list for additional options, sizing, and pricing**
- Window treatments can be operated from virtually anywhere in the home
- Provides easy operation of hard-to-reach or large window coverings
- Efficiently manages energy (heat gain and loss)
- Operate multiple window treatments simultaneously or individually
- A safer alternative to accessible cords that are traditionally used to operate window coverings, ideal for homes with children and pets
- Easily integrated with home automation systems
- Low voltage motorization requires no costly electrical hard-wiring
- Multiple control options available

NOTE: Motorization components and accessories have a five-year limited warranty, excluding batteries.



Options

Bottom Up/Top Down: Cord Lift



- **For surcharge, see options pricing**
- Standard cord with cord locks
- Allows shade to be raised from the bottom up like a conventional shade or from the top down
- Perfect for screening out unwanted views or maintaining privacy while enjoying natural sunlight
- Popular specialty application used in bedrooms and bathrooms
- Available in both flat and looped styles
- Available on multiple shades on one headrail
- **Not available with continuous-loop, cordless, or motorized lift**

Fabric Valance Only

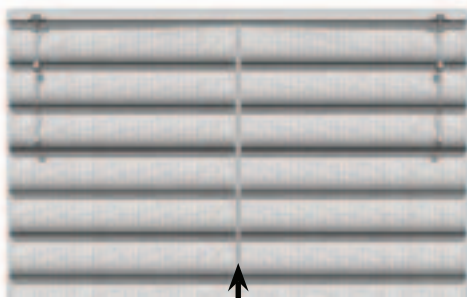


- **For surcharge, see options pricing**
- Coordinating fabric valance creates an uninterrupted look and conceals the headrail
- Edges are finished and attached to the headrail with hook and loop tape
- Available on both flat and looped styles
- Fabric valances are free of charge at the time of order; replacement valances available
- Fabric valance returns are not available
- Continuous valance is only available up to fabric width
- Bead trims available; see bead trim page in shade options

NOTE: If used on multiple shades on one headrail, or the valance is greater than the fabric width, the valance will have the same breaks as the panels.

Options

Multiple Shades on One Headrail



¼" (0.7 cm) spacing

- **For surcharge, see options pricing**
- Available as two or three on one headrail
- Available in flat and looped styles
- Standard valances on multiple shades will have the same breaks as the panels
- Continuous valance covering multiple shades is not available

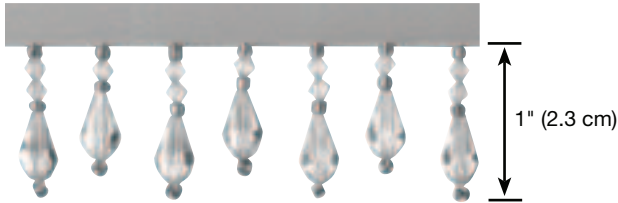
	Maximum Overall Size for Multiple Shades* inches (cm)	Maximum Width with Side Mount inches (cm)	Control Locations	Gap inches (cm)
Standard	192 (487.7) x 96 (243.9)	60 (152.4)	Two on one: left shade, left control; right shade, right control Three on one: left shade, left control; middle shade, right or left of center panel; right shade, right control	¼ (0.7)
Bottom Up/Top Down Cord Lift	192 (487.7) x 72 (182.9)	42 (106.7)	Per panel: right control operates bottom up; left control operates top down (can be reversed)	¼ (0.7)
Continuous-Loop—Single Control	120 (304.8) x 96 (243.9)	60 (152.4)	Two on one: common lift cord can be on right or left to operate both shades at the same time Three on one: common lift cord can be on right or left to operate all shades at the same time	¼ (0.7)
Continuous-Loop—Multi Control	144 (365.8) x 96 (243.9)	60 (152.4)	Two on one: left shade, left control; right shade, right control Three on one: left shade, left control; right shade, right control; middle shade, right or left; continuous-loop lift cannot be used in the middle of the headrail on multiple shades	¼ (0.7)
Cordless	144 (365.8) x 86 (218.5)	60 (152.4)	Not applicable	¼ (0.7)
Motorized Lift	Refer to motorization price list			

*See size considerations or individual descriptions in the options section for maximum panels widths and heights.

Options

Bead Trim

1" (2.3 cm) Teardrop Crystal Bead Trim

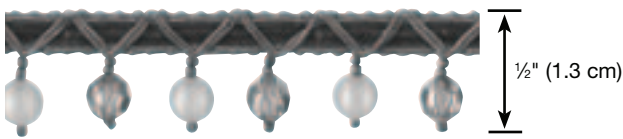


- For surcharge, see options pricing
- Optional trims are attached to the bottom edge of the valances only

1" (2.3 cm) Teardrop Crystal Bead Trim

Bronze	201	Sand	204
Light Gold	202	White	205

½" (1.3 cm) Round Bead Crystal Trim



½" (1.3 cm) Round Crystal Bead Trim

Black	10156	Morning Blue	10014
Clover	10049	Toffee	10296
Light Green	10008		

Gimp Trim

⅞" (1.2 cm) Gimp

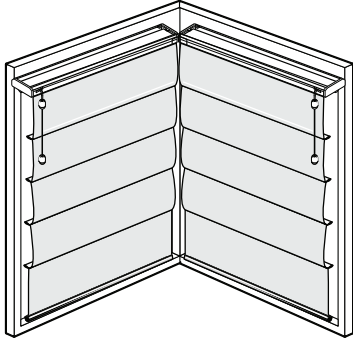


⅞" (1.2 cm) Gimp Trim

Angel Fire	972	Maroon	360
Bayberry	965	Morning Glory	639
Black	156	Night Shadow	826
Clover	049	Rock Gray	399
Cream	715	Stucco	963
Dark Beige	350	Tender Taupe	103
Light Green	08	Toffee	296
Maize	02	White	417

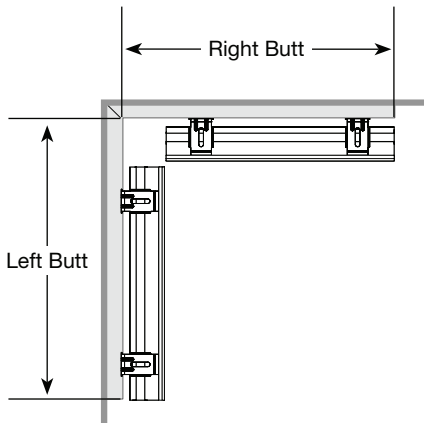
Options

Corner Windows



Shades on Corner Windows

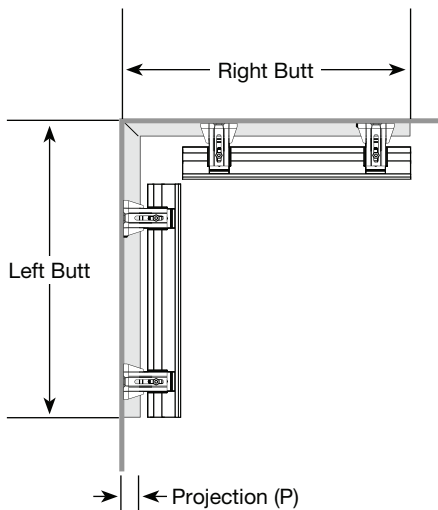
- **No charge**
- Made as individual shades
- Each shade will have its own control; we recommend opposite corners
- Indicate left or right for each shade
- Manufacturer will take appropriate deductions for proper fit; **DO NOT** order as a corner shade if you do not want manufacturer to take deductions
- **Cornices or decorative wood valances are not available on corner windows**
- For bottom up/top down cord lift the corner controls will be hard to reach
- Flat style is recommended for corner windows
- Looped style will have light gaps due to fabric loops



Measuring Information

Mounting on a Wall or Molding:

Measure the width of each window from the corner on the mounting surface (molding or wall) to the point you would like to cover.



Mounting Above the Molding:

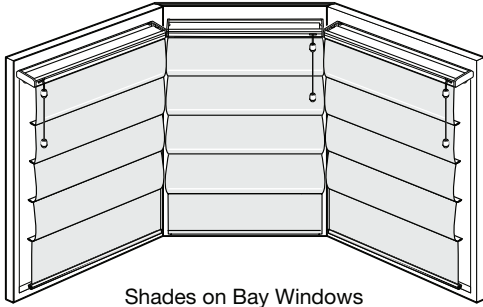
Measure the width of each window from the corner on the mounting surface to the point you would like to cover.

Projection measurement is the distance needed to clear any molding or obstructions that the shade will be mounted above.

NOTE: The projection (P) distance is needed to correctly calculate deductions for installations where the shades will use shims or projection brackets to clear molding. All projection distances must match for correct deductions to be calculated.

Options

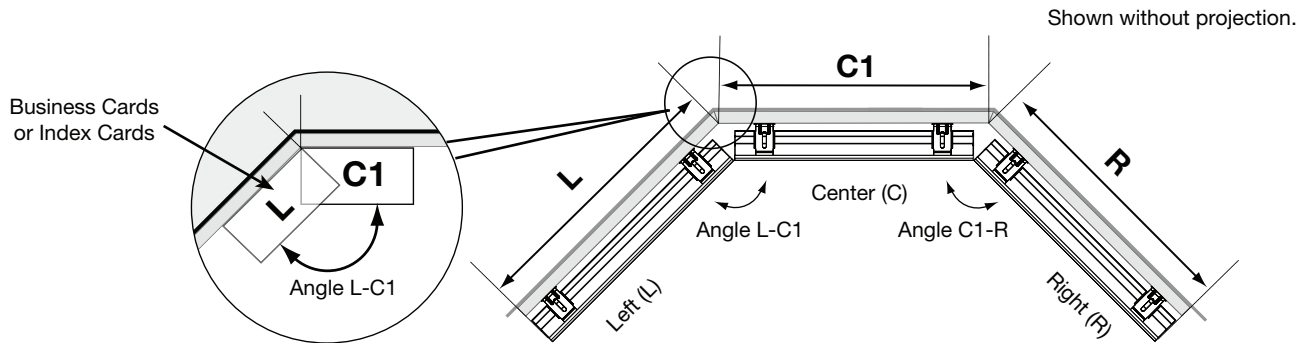
Bay Windows



Shades on Bay Windows

- **No charge**
- Made as individual shades
- Each section will have its own control
- Manufacturer will take appropriate deductions for proper fit; **DO NOT** order as a corner shade if you do not want manufacturer to take deductions
- **Cornices or decorative wood valances are not available on corner windows**
- For bottom up/top down cord lift, depending on the angle, controls may be hard to reach
- Flat style is recommended for bay windows
- Looped style will have light gaps due to fabric loops

Measuring Information: Three-Sided Bay Window



Measure:

L and R: Width of each side window from the corners on the mounting surface to the point you would like to cover.

C1: Width of the center window on the mounting surface from corner to corner.

Angle L-C1: Angle between the (L) and (C1) windows.

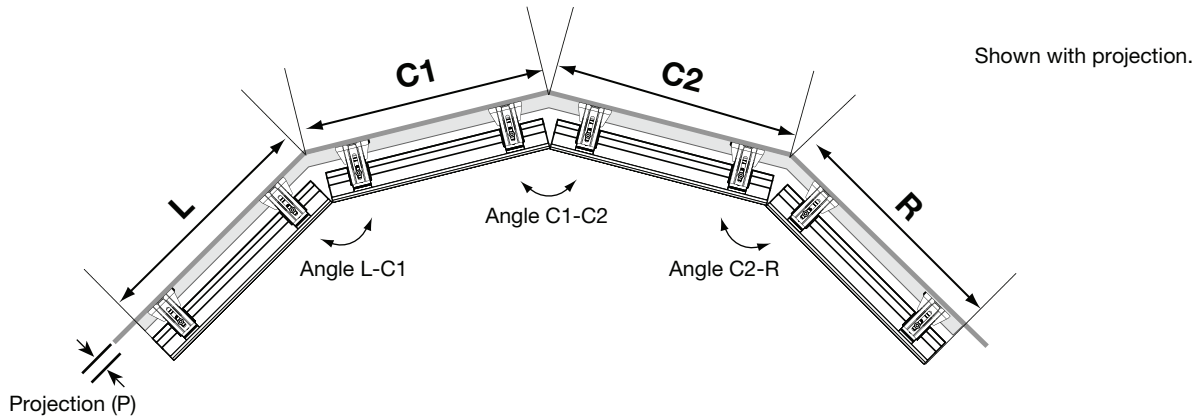
Angle C1-R: Angle between the (C1) and (R) windows.

Projection: If needed: The depth of the trim or molding the shade will be mounted above.

Options

Bay Windows

Measuring Information: Four-Sided Bay Window



L and R: Width of each side window from the corners on the mounting surface to the point you would like to cover.

C1, C2: Width of each center window on the mounting surface from corner to corner.

Angle L-C1: Angle between the (L) and (C1) windows.

Angle C1-C2: Angle between the (C1) and (C2) windows.

Angle C2-R: Angle between the (C2) and (R) windows.

Projection: If needed: The depth of the trim or molding the shade will be mounted above.

NOTE: The projection (P) distance is needed to correctly calculate deductions for installations where the shades will use shims or projection brackets to clear trim or molding. All projection distances must match for correct deductions to be calculated.

For additional windows on bays with up to five sides continue with number progression for center shade sizes (C1, C2, C3, ...) and angles (angle C1-C2, angle C2-C3, ...) as needed.

Measure each bay angle using a protractor or angle finder or use two business cards in each bay corner as illustrated above and fax to customer service 1-800-552-4559.

The angle to use between adjacent center bay windows along a straight section of wall is 180 degrees.

General Information

Shade Stack Height Chart

Looped

Finish Shade Height inches (cm)	Stack Height inches (cm)
Up to 29 (73.7)	9 (22.9)
29 (73.7) to 41 (104.2)	10 (25.4)
41 (104.2) to 58 (147.4)	11 (28.0)
58 (147.4) to 75 (190.5)	12 (30.5)
75 (190.5) to 96 (243.9)	13 (33.1)

Flat

Finish Shade Height inches (cm)	Stack Height inches (cm)
Up to 32 (81.3)	10 (25.4)
32 (81.3) to 56 (142.3)	11 (28.0)
56 (142.3) to 80 (203.2)	12 (30.5)
80 (203.2) to 96 (243.9)	13 (33.1)

NOTE: Stack height includes headrail and sill rail.

This chart is an approximation of the largest stack possible for all control types at each height range.

Bottom Panel Heights

The standard panel height is 6" (15.3 cm) for flat and 4⁵/₁₆" (11.0 cm) for looped style. Bottom panel is used as the adjustment panel to get to finished shade height. The bottom panel height varies depending on shade height. A small change in finished shade height can create significantly different looks.

For Example:

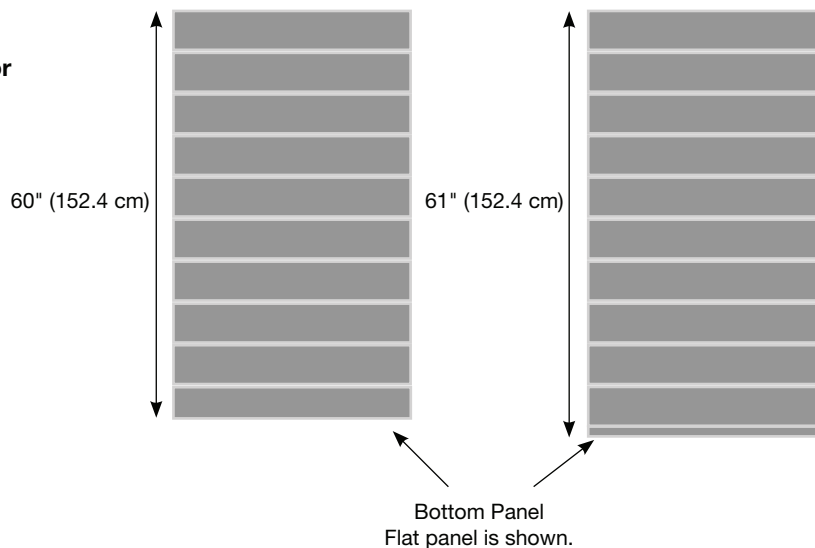
Finished Shade Height* inches (cm)	Flat		Looped	
	# of Full Panels	Approx. Bottom Panel Height inches (cm)	# of Full Panels	Approx. Bottom Panel Height inches (cm)
60 (152.4)	9	5 ⁵ / ₁₆ (13.7)	13	3 ³ / ₈ (8.6)
61 (155.0)	10	³ / ₈ (1.0)	14	0 (0.0)
61 (155.0)	10	³ / ₈ (1.0)	14	0 (0.0)
62 (157.5)	10	1 ¹ / ₈ (3.5)	14	1 (2.6)

*Approximate

IMPORTANT ORDERING NOTE:

For shades hanging in the same room at the same height or for groups of shades, please add the words "hanging side-by-side" to the order comments. This is important for the manufacturing process and for panel adjustments.

It is very important to consider this possible variation when ordering more than one shade for a room. For approximate panel counts see the following pages.



General Information

Panel Count Chart: Cord Lift

The purpose of this information is to help the consumer visualize what their shade will look like by approximating the number of full panels and the bottom panel length. Full panel lengths are 6" (15.3 cm) for flat and 4⁵/₁₆" (11.0 cm) for looped; however, the bottom panel is used as the adjustment panel to get to finished shade height. **Therefore, the bottom panel length varies depending on shade height.** A small change in finished shade height can create significantly different looks.

This chart should be used to compare the effect of various lengths. The information can vary depending on the pleat length tolerance.

Finished Shade Height* inches (cm)	Flat		Looped	
	# of Full Panels	Approx. Bottom Panel Height inches (cm)	# of Full Panels	Approx. Bottom Panel Height inches (cm)
18 (45.8)	2	5 ³ / ₈ (13.7)	4	¹ / ₈ (0.4)
19 (48.3)	3	³ / ₈ (1.0)	4	1 ¹ / ₈ (2.9)
20 (50.8)	3	1 ³ / ₈ (3.5)	4	2 ¹ / ₈ (5.4)
21 (53.4)	3	2 ³ / ₈ (6.1)	4	3 ¹ / ₈ (8.0)
22 (55.9)	3	3 ³ / ₈ (8.6)	4	4 ¹ / ₈ (10.5)
23 (58.5)	3	4 ³ / ₈ (11.2)	5	⁷ / ₈ (2.3)
24 (61.0)	3	5 ³ / ₈ (13.7)	5	1 ⁷ / ₈ (4.8)
25 (63.5)	4	³ / ₈ (1.0)	5	2 ⁷ / ₈ (7.4)
26 (66.1)	4	1 ³ / ₈ (3.5)	5	3 ⁷ / ₈ (9.9)
27 (68.6)	4	2 ³ / ₈ (6.1)	6	¹ / ₂ (1.3)
28 (71.2)	4	3 ³ / ₈ (8.6)	6	1 ¹ / ₂ (3.9)
29 (73.7)	4	4 ³ / ₈ (11.2)	6	2 ¹ / ₂ (6.4)
30 (76.2)	4	5 ³ / ₈ (13.7)	6	3 ¹ / ₂ (8.9)
31 (78.8)	5	³ / ₈ (1.0)	7	¹ / ₄ (0.7)
32 (81.3)	5	1 ³ / ₈ (3.5)	7	1 ¹ / ₄ (3.2)
33 (83.9)	5	2 ³ / ₈ (6.1)	7	2 ¹ / ₄ (5.8)
34 (86.4)	5	3 ³ / ₈ (8.6)	7	3 ¹ / ₄ (8.3)
35 (88.9)	5	4 ³ / ₈ (11.2)	7	4 ¹ / ₄ (10.8)
36 (91.5)	5	5 ³ / ₈ (13.7)	8	⁷ / ₈ (2.3)
37 (94.0)	6	³ / ₈ (1.0)	8	1 ⁷ / ₈ (4.8)
38 (96.6)	6	1 ³ / ₈ (3.5)	8	2 ⁷ / ₈ (7.4)
39 (99.1)	6	2 ³ / ₈ (6.1)	8	3 ⁷ / ₈ (9.9)
40 (101.6)	6	3 ³ / ₈ (8.6)	9	⁵ / ₈ (1.6)
41 (104.2)	6	4 ³ / ₈ (11.2)	9	1 ⁵ / ₈ (4.2)
42 (106.7)	6	5 ³ / ₈ (13.7)	9	2 ⁵ / ₈ (6.7)
43 (109.3)	7	³ / ₈ (1.0)	9	3 ⁵ / ₈ (9.3)
44 (111.8)	7	1 ³ / ₈ (3.5)	10	¹ / ₄ (0.7)
45 (114.3)	7	2 ³ / ₈ (6.1)	10	1 ¹ / ₄ (3.2)
46 (116.9)	7	3 ³ / ₈ (8.6)	10	2 ¹ / ₄ (5.8)
47 (119.4)	7	4 ³ / ₈ (11.2)	10	3 ¹ / ₄ (8.3)
48 (122.0)	7	5 ³ / ₈ (13.7)	10	4 ¹ / ₄ (10.8)
49 (124.5)	8	³ / ₈ (1.0)	11	1 (2.6)
50 (127.0)	8	1 ³ / ₈ (3.5)	11	2 (5.1)
51 (129.6)	8	2 ³ / ₈ (6.1)	11	3 (7.7)
52 (132.1)	8	3 ³ / ₈ (8.6)	11	4 (10.2)
53 (134.7)	8	4 ³ / ₈ (11.2)	12	⁵ / ₈ (1.6)
54 (137.2)	8	5 ³ / ₈ (13.7)	12	1 ⁵ / ₈ (4.2)
55 (139.7)	9	³ / ₈ (1.0)	12	2 ⁵ / ₈ (6.7)
56 (142.3)	9	1 ³ / ₈ (3.5)	12	3 ⁵ / ₈ (9.3)
57 (144.8)	9	2 ³ / ₈ (6.1)	13	³ / ₈ (1.0)

Finished Shade Height* inches (cm)	Flat		Looped	
	# of Full Panels	Approx. Bottom Panel Height inches (cm)	# of Full Panels	Approx. Bottom Panel Height inches (cm)
58 (147.4)	9	3 ³ / ₈ (8.6)	13	1 ³ / ₈ (3.5)
59 (149.9)	9	4 ³ / ₈ (11.2)	13	2 ³ / ₈ (6.1)
60 (152.4)	9	5 ³ / ₈ (13.7)	13	3 ³ / ₈ (8.6)
61 (155.0)	10	³ / ₈ (1.0)	14	0 (0.0)
62 (157.5)	10	1 ³ / ₈ (3.5)	14	1 (2.6)
63 (160.1)	10	2 ³ / ₈ (6.1)	14	2 (5.1)
64 (162.6)	10	3 ³ / ₈ (8.6)	14	3 (7.7)
65 (165.1)	10	4 ³ / ₈ (11.2)	14	4 (10.2)
66 (167.7)	10	5 ³ / ₈ (13.7)	15	³ / ₄ (2.0)
67 (170.2)	11	³ / ₈ (1.0)	15	1 ³ / ₄ (4.5)
68 (172.8)	11	1 ³ / ₈ (3.5)	15	2 ³ / ₄ (7.0)
69 (175.3)	11	2 ³ / ₈ (6.1)	15	3 ³ / ₄ (9.6)
70 (177.8)	11	3 ³ / ₈ (8.6)	16	³ / ₈ (1.0)
71 (180.4)	11	4 ³ / ₈ (11.2)	16	1 ³ / ₈ (3.5)
72 (182.9)	11	5 ³ / ₈ (13.7)	16	2 ³ / ₈ (6.1)
73 (185.5)	12	³ / ₈ (1.0)	16	3 ³ / ₈ (8.6)
74 (188.0)	12	1 ³ / ₈ (3.5)	17	¹ / ₈ (0.4)
75 (190.5)	12	2 ³ / ₈ (6.1)	17	1 ¹ / ₈ (2.9)
76 (193.1)	12	3 ³ / ₈ (8.6)	17	2 ¹ / ₈ (5.4)
77 (195.6)	12	4 ³ / ₈ (11.2)	17	3 ¹ / ₈ (8.0)
78 (198.2)	12	5 ³ / ₈ (13.7)	17	4 ¹ / ₈ (10.5)
79 (200.7)	13	³ / ₈ (1.0)	18	³ / ₄ (2.0)
80 (203.2)	13	1 ³ / ₈ (3.5)	18	1 ³ / ₄ (4.5)
81 (205.8)	13	2 ³ / ₈ (6.1)	18	2 ³ / ₄ (7.0)
82 (208.3)	13	3 ³ / ₈ (8.6)	18	3 ³ / ₈ (9.6)
83 (210.9)	13	4 ³ / ₈ (11.2)	19	¹ / ₂ (1.3)
84 (213.4)	13	5 ³ / ₈ (13.7)	19	1 ¹ / ₂ (3.9)
85 (215.9)	14	³ / ₈ (1.0)	19	2 ¹ / ₂ (6.4)
86 (218.5)	14	1 ³ / ₈ (3.5)	19	3 ¹ / ₈ (8.9)
87 (221.0)	14	2 ³ / ₈ (6.1)	20	¹ / ₈ (0.4)
88 (223.6)	14	3 ³ / ₈ (8.6)	20	1 ¹ / ₈ (2.9)
89 (226.1)	14	4 ³ / ₈ (11.2)	20	2 ¹ / ₈ (5.4)
90 (228.6)	14	5 ³ / ₈ (13.7)	20	3 ¹ / ₈ (8.0)
91 (231.2)	15	³ / ₈ (1.0)	20	4 ¹ / ₈ (10.5)
92 (233.7)	15	1 ³ / ₈ (3.5)	21	⁷ / ₈ (2.3)
93 (236.3)	15	2 ³ / ₈ (6.1)	21	1 ⁷ / ₈ (4.8)
94 (238.8)	15	3 ³ / ₈ (8.6)	21	2 ⁷ / ₈ (7.4)
95 (241.3)	15	4 ³ / ₈ (11.2)	21	3 ⁷ / ₈ (9.9)
96 (243.9)	15	5 ³ / ₈ (13.7)	22	¹ / ₂ (1.3)

*Finished shade height equals ordered height; there are no factory deductions for height.

EXAMPLE: A flat shade with a 48" (122.0 cm) finished shade height will have 7 full panels and the 8th panel will be approximately 5³/₈" (13.7 cm) long.

General Information

Panel Count Chart: Cordless, Continuous-Loop, and Motorized Lift

The purpose of this information is to help the consumer visualize what their shade will look like by approximating the number of full panels and the bottom panel length. Full panel lengths are 6" (15.3 cm) for flat and 4⁵/₁₆" (11.0 cm) for looped; however, the bottom panel is used as the adjustment panel to get to finished shade height. **Therefore, the bottom panel length varies depending on shade height.** A small change in finished shade height can create significantly different looks.

This chart should be used to compare the effect of various lengths. The information can vary depending on the pleat length tolerance.

Finished Shade Height* inches (cm)	Flat		Looped		Finished Shade Height* inches (cm)	Flat		Looped	
	# of Full Panels	Approx. Bottom Panel Height inches (cm)	# of Full Panels	Approx. Bottom Panel Height inches (cm)		# of Full Panels	Approx. Bottom Panel Height inches (cm)	# of Full Panels	Approx. Bottom Panel Height inches (cm)
18 (45.8)	2	4½ (11.5)	3	3¾ (9.3)	58 (147.4)	9	2½ (6.4)	13	½ (1.3)
19 (48.3)	2	5½ (14.0)	4	¼ (0.7)	59 (149.9)	9	3½ (8.9)	13	1½ (3.9)
20 (50.8)	3	½ (1.3)	4	1¼ (3.2)	60 (152.4)	9	4½ (11.5)	13	2½ (6.4)
21 (53.4)	3	1½ (3.9)	4	2¼ (5.8)	61 (155.0)	9	5½ (14.0)	13	3½ (8.9)
22 (55.9)	3	2½ (6.4)	4	3¼ (8.3)	62 (157.5)	10	½ (1.3)	14	¾ (0.4)
23 (58.5)	3	3½ (8.9)	4	4¼ (10.8)	63 (160.1)	10	1½ (3.9)	14	1½ (2.9)
24 (61.0)	3	4½ (11.5)	5	1 (2.6)	64 (162.6)	10	2½ (6.4)	14	2½ (5.4)
25 (63.5)	3	5½ (14.0)	5	2 (5.1)	65 (165.1)	10	3½ (8.9)	14	3½ (8.0)
26 (66.1)	4	½ (1.3)	5	3 (7.7)	66 (167.7)	10	4½ (11.5)	14	4½ (10.5)
27 (68.6)	4	1½ (3.9)	5	4 (10.2)	67 (170.2)	10	5½ (14.0)	15	¾ (2.3)
28 (71.2)	4	2½ (6.4)	6	½ (1.6)	68 (172.8)	11	½ (1.3)	15	1¾ (4.8)
29 (73.7)	4	3½ (8.9)	6	1½ (4.2)	69 (175.3)	11	1½ (3.9)	15	2½ (7.4)
30 (76.2)	4	4½ (11.5)	6	2½ (6.7)	70 (177.8)	11	2½ (6.4)	15	3½ (9.9)
31 (78.8)	4	5½ (14.0)	6	3½ (9.3)	71 (180.4)	11	3½ (8.9)	16	½ (1.3)
32 (81.3)	5	½ (1.3)	7	¾ (1.0)	72 (182.9)	11	4½ (11.5)	16	1½ (3.9)
33 (83.9)	5	1½ (3.9)	7	1¾ (3.5)	73 (185.5)	11	5½ (14.0)	16	2½ (6.4)
34 (86.4)	5	2½ (6.4)	7	2¾ (6.1)	74 (188.0)	12	½ (1.3)	16	3½ (8.9)
35 (88.9)	5	3½ (8.9)	7	3¾ (8.6)	75 (190.5)	12	1½ (3.9)	17	¼ (0.7)
36 (91.5)	5	4½ (11.5)	8	0 (0.0)	76 (193.1)	12	2½ (6.4)	17	1¼ (3.2)
37 (94.0)	5	5½ (14.0)	8	1 (2.6)	77 (195.6)	12	3½ (8.9)	17	2¼ (5.8)
38 (96.6)	6	½ (1.3)	8	2 (5.1)	78 (198.2)	12	4½ (11.5)	17	3¼ (8.3)
39 (99.1)	6	1½ (3.9)	8	3 (7.7)	79 (200.7)	12	5½ (14.0)	17	4¼ (10.8)
40 (101.6)	6	2½ (6.4)	8	4 (10.2)	80 (203.2)	13	½ (1.3)	18	¾ (2.3)
41 (104.2)	6	3½ (8.9)	9	¾ (2.0)	81 (205.8)	13	1½ (3.9)	18	1¾ (4.8)
42 (106.7)	6	4½ (11.5)	9	1¾ (4.5)	82 (208.3)	13	2½ (6.4)	18	2¾ (7.4)
43 (109.3)	6	5½ (14.0)	9	2¾ (7.0)	83 (210.9)	13	3½ (8.9)	18	3¾ (9.9)
44 (111.8)	7	½ (1.3)	9	3¾ (9.6)	84 (213.4)	13	4½ (11.5)	19	¾ (1.6)
45 (114.3)	7	1½ (3.9)	10	¾ (1.0)	85 (215.9)	13	5½ (14.0)	19	1¾ (4.2)
46 (116.9)	7	2½ (6.4)	10	1¾ (3.5)	86 (218.5)	14	½ (1.3)	19	2¾ (6.7)
47 (119.4)	7	3½ (8.9)	10	2¾ (6.1)	87 (221.0)	14	1½ (3.9)	19	3¾ (9.3)
48 (122.0)	7	4½ (11.5)	10	3¾ (8.6)	88 (223.6)	14	2½ (6.4)	20	¼ (0.7)
49 (124.5)	7	5½ (14.0)	11	¼ (0.4)	89 (226.1)	14	3½ (8.9)	20	1¼ (3.2)
50 (127.0)	8	½ (1.3)	11	1½ (2.9)	90 (228.6)	14	4½ (11.5)	20	2¼ (5.8)
51 (129.6)	8	1½ (3.9)	11	2½ (5.4)	91 (231.2)	14	5½ (14.0)	20	3¼ (8.3)
52 (132.1)	8	2½ (6.4)	11	3¾ (8.0)	92 (233.7)	15	½ (1.3)	20	4¼ (10.8)
53 (134.7)	8	3½ (8.9)	11	4¾ (10.5)	93 (236.3)	15	1½ (3.9)	21	1 (2.6)
54 (137.2)	8	4½ (11.5)	12	¾ (2.0)	94 (238.8)	15	2½ (6.4)	21	2 (5.1)
55 (139.7)	8	5½ (14.0)	12	1¾ (4.5)	95 (241.3)	15	3½ (8.9)	21	3 (7.7)
56 (142.3)	9	½ (1.3)	12	2¾ (7.0)	96 (243.9)	15	4½ (11.5)	21	4 (10.2)
57 (144.8)	9	1½ (3.9)	12	3¾ (9.6)					

*Finished shade height equals ordered height; there are no factory deductions for height.

EXAMPLE: A flat shade with a 48" (122.0 cm) finished shade height will have 7 full panels and the 8th panel will be approximately 5¾" (13.7 cm) long.

General Information

Panel Count Chart: Bottom Up/Top Down Cord Lift

The purpose of this information is to help the consumer visualize what their shade will look like by approximating the number of full panels and the bottom panel length. Full panel lengths are 6" (15.3 cm) for flat and 4⁵/₁₆" (11.0 cm) for looped; however, the bottom panel is used as the adjustment panel to get to finished shade height. **Therefore, the bottom panel length varies depending on shade height.** A small change in finished shade height can create significantly different looks.

This chart should be used to compare the effect of various lengths. The information can vary depending on the pleat length tolerance.

Finished Shade Height* inches (cm)	Flat		Looped		Finished Shade Height* inches (cm)	Flat		Looped	
	# of Full Panels	Approx. Bottom Panel Height inches (cm)	# of Full Panels	Approx. Bottom Panel Height inches (cm)		# of Full Panels	Approx. Bottom Panel Height inches (cm)	# of Full Panels	Approx. Bottom Panel Height inches (cm)
18 (45.8)	2	5 (12.7)	3	3 ⁷ / ₁₆ (9.9)	58 (147.4)	9	3 (7.7)	13	3 ¹ / ₄ (2.0)
19 (48.3)	2	6 (15.3)	4	1 ¹ / ₂ (1.3)	59 (149.9)	9	4 (10.2)	13	1 ¹ / ₄ (4.5)
20 (50.8)	3	1 (2.6)	4	1 ¹ / ₂ (3.9)	60 (152.4)	9	5 (12.7)	13	2 ³ / ₄ (7.0)
21 (53.4)	3	2 (5.1)	4	2 ¹ / ₂ (6.4)	61 (155.0)	9	6 (15.3)	13	3 ³ / ₄ (9.6)
22 (55.9)	3	3 (7.7)	4	3 ¹ / ₂ (8.9)	62 (157.5)	10	1 (2.6)	14	3 ¹ / ₂ (1.0)
23 (58.5)	3	4 (10.2)	5	1 ¹ / ₄ (0.7)	63 (160.1)	10	2 (5.1)	14	1 ¹ / ₂ (3.5)
24 (61.0)	3	5 (12.7)	5	1 ¹ / ₄ (3.2)	64 (162.6)	10	3 (7.7)	14	2 ¹ / ₂ (6.1)
25 (63.5)	3	6 (15.3)	5	2 ¹ / ₄ (5.8)	65 (165.1)	10	4 (10.2)	14	3 ¹ / ₂ (8.6)
26 (66.1)	4	1 (2.6)	5	3 ¹ / ₄ (8.3)	66 (167.7)	10	5 (12.7)	15	1 ¹ / ₂ (0.4)
27 (68.6)	4	2 (5.1)	5	4 ¹ / ₄ (10.8)	67 (170.2)	10	6 (15.3)	15	1 ¹ / ₂ (2.9)
28 (71.2)	4	3 (7.7)	6	7 ¹ / ₁₆ (2.3)	68 (172.8)	11	1 (2.6)	15	2 ¹ / ₂ (5.4)
29 (73.7)	4	4 (10.2)	6	1 ¹ / ₈ (4.8)	69 (175.3)	11	2 (5.1)	15	3 ¹ / ₂ (8.0)
30 (76.2)	4	5 (12.7)	6	2 ¹ / ₈ (7.4)	70 (177.8)	11	3 (7.7)	15	4 ¹ / ₈ (10.5)
31 (78.8)	4	6 (15.3)	6	3 ¹ / ₈ (9.9)	71 (180.4)	11	4 (10.2)	16	3 ¹ / ₄ (2.0)
32 (81.3)	5	1 (2.6)	7	5 ¹ / ₁₆ (1.6)	72 (182.9)	11	5 (12.7)	16	1 ¹ / ₄ (4.5)
33 (83.9)	5	2 (5.1)	7	1 ¹ / ₈ (4.2)	73 (185.5)	11	6 (15.3)	16	2 ¹ / ₄ (7.0)
34 (86.4)	5	3 (7.7)	7	2 ¹ / ₈ (6.7)	74 (188.0)	12	1 (2.6)	16	3 ³ / ₄ (9.6)
35 (88.9)	5	4 (10.2)	7	3 ¹ / ₈ (9.3)	75 (190.5)	12	2 (5.1)	17	1 ¹ / ₂ (1.3)
36 (91.5)	5	5 (12.7)	8	1 ¹ / ₄ (0.7)	76 (193.1)	12	3 (7.7)	17	1 ¹ / ₂ (3.9)
37 (94.0)	5	6 (15.3)	8	1 ¹ / ₄ (3.2)	77 (195.6)	12	4 (10.2)	17	2 ¹ / ₂ (6.4)
38 (96.6)	6	1 (2.6)	8	2 ¹ / ₄ (5.8)	78 (198.2)	12	5 (12.7)	17	3 ¹ / ₂ (8.9)
39 (99.1)	6	2 (5.1)	8	3 ¹ / ₄ (8.3)	79 (200.7)	12	6 (15.3)	18	1 ¹ / ₈ (0.4)
40 (101.6)	6	3 (7.7)	8	4 ¹ / ₄ (10.8)	80 (203.2)	13	1 (2.6)	18	1 ¹ / ₂ (2.9)
41 (104.2)	6	4 (10.2)	9	1 (2.6)	81 (205.8)	13	2 (5.1)	18	2 ¹ / ₂ (5.4)
42 (106.7)	6	5 (12.7)	9	2 (5.1)	82 (208.3)	13	3 (7.7)	18	3 ¹ / ₂ (8.0)
43 (109.3)	6	6 (15.3)	9	3 (7.7)	83 (210.9)	13	4 (10.2)	18	4 ¹ / ₈ (10.5)
44 (111.8)	7	1 (2.6)	9	4 (10.2)	84 (213.4)	13	5 (12.7)	19	7 ¹ / ₁₆ (2.3)
45 (114.3)	7	2 (5.1)	10	5 ¹ / ₁₆ (1.6)	85 (215.9)	13	6 (15.3)	19	1 ¹ / ₂ (4.8)
46 (116.9)	7	3 (7.7)	10	1 ¹ / ₈ (4.2)	86 (218.5)	14	1 (2.6)	19	2 ¹ / ₂ (7.4)
47 (119.4)	7	4 (10.2)	10	2 ¹ / ₈ (6.7)	87 (221.0)	14	2 (5.1)	19	3 ¹ / ₂ (9.9)
48 (122.0)	7	5 (12.7)	10	3 ¹ / ₈ (9.3)	88 (223.6)	14	3 (7.7)	20	1 ¹ / ₂ (1.3)
49 (124.5)	7	6 (15.3)	11	3 ¹ / ₈ (1.0)	89 (226.1)	14	4 (10.2)	20	1 ¹ / ₂ (3.9)
50 (127.0)	8	1 (2.6)	11	1 ¹ / ₈ (3.5)	90 (228.6)	14	5 (12.7)	20	2 ¹ / ₂ (6.4)
51 (129.6)	8	2 (5.1)	11	2 ¹ / ₈ (6.1)	91 (231.2)	14	6 (15.3)	20	3 ¹ / ₂ (8.9)
52 (132.1)	8	3 (7.7)	11	3 ¹ / ₈ (8.6)	92 (233.7)	15	1 (2.6)	21	1 ¹ / ₄ (0.7)
53 (134.7)	8	4 (10.2)	12	0 (0.0)	93 (236.3)	15	2 (5.1)	21	1 ¹ / ₄ (3.2)
54 (137.2)	8	5 (12.7)	12	1 (2.6)	94 (238.8)	15	3 (7.7)	21	2 ¹ / ₄ (5.8)
55 (139.7)	8	6 (15.3)	12	2 (5.1)	95 (241.3)	15	4 (10.2)	21	3 ¹ / ₄ (8.3)
56 (142.3)	9	1 (2.6)	12	3 (7.7)	96 (243.9)	15	5 (12.7)	21	4 ¹ / ₄ (10.8)
57 (144.8)	9	2 (5.1)	12	4 (10.2)					

*Finished shade height equals ordered height; there are no factory deductions for height.

EXAMPLE: A flat shade with a 48" (122.0 cm) finished shade height will have 7 full panels and the 8th panel will be approximately 5" (12.7 cm) long.

General Information

Flat Style Product Detail

Installation Brackets

- Zinc-plated spring steel for easy installation
- Hidden snap-in design
- Facilitates easy installation and removal of shade

Aluminum Headrail

- Color coordinated to shade fabric
- 1 1/16" (1.8 cm) profile, 1 3/16" (4.0 cm) depth
- Extremely durable and rust proof

Fabric Valance (shown in illustration)

- Free of charge; must be requested at time of order
- Matches shade fabric for uninterrupted look
- Attaches to the headrail with hook and loop fastener
- Valance height is 5 1/4" (13.4 cm)
- Valance returns not available

Flat 6" (15.3 cm) Tabbed Fabric

- Pleats provide an elegant look
- Variety of patterns and color choices
- Finished edges guaranteed not to fray

Projection Brackets

- Long (adds 2 1/2" (6.4 cm) extension from wall)
- Medium (adds 1 3/8" (4.2 cm) extension from wall)
- Short (adds 1" (2.6 cm) extension from wall)

Side Mount Brackets (optional)

- Maximum width 60" (152.4 cm)

Flush Mount End Caps

- Color coordinated to shade fabric
- Sleek look, tighter fit

Cord Lock (not visible)

- Sleek, streamlined design
- Color coordinated to shade fabric
- Free-floating serrated cord locking roller for dependable operation

Lift Cord

- Color coordinated to shade fabric
- 1.2 mm braided polyester with a core for durability

Joiner Ball and End Ball

- Color coordinated to shade fabric

Sill Rail

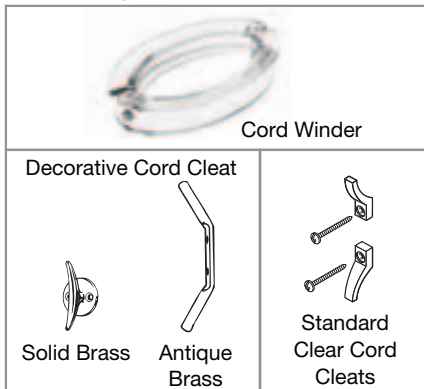
- Wrapped in fabric and covered by clear channel for tailored look and maximum durability

Hold Down Brackets (optional)

- Secures shade to door, wall or window sill

This panel will vary in height depending on shade height.

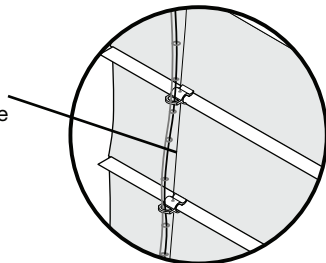
Cord Management Options



Back View with Safety Loop Cord

Safety Loop Cord

- Prevents cord from being easily pulled away from the shade and forming a loop



NOTE: Shown with standard cord.

General Information

Looped Style Product Detail

Installation Brackets

- Zinc-plated spring steel for easy installation
- Hidden snap-in design
- Facilitates easy installation and removal of shade

Aluminum Headrail

- Color coordinated to shade fabric
- 1¹/₁₆" (1.8 cm) profile, 1³/₁₆" (4.0 cm) depth
- Extremely durable and rust proof

Fabric Valance (shown in illustration)

- Free of charge; must be requested at time of order
- Matches shade fabric for uninterrupted look
- Attaches to the headrail with hook and loop fastener
- Valance height is 5¹/₄" (13.4 cm)
- Valance returns not available

Looped 4⁵/₁₆" (11.0 cm) Fabric Panels

- Looped fabric adds a touch of elegance and a dimensional look to the shade
- Variety of patterns and color choices
- Loops are created by the cord loops on rear of shade
- Finished edges are guaranteed not to fray

Sill Rail

- Wrapped in fabric and covered by clear channel for tailored look and maximum durability

Hold Down Brackets (optional)

- Secures shade to door, wall or window sill

Projection Brackets

- Long (adds 2¹/₂" (6.4 cm) extension from wall)
- Medium (adds 1³/₈" (4.2 cm) extension from wall)
- Short (adds 1" (2.6 cm) extension from wall)

Side Mount Brackets (optional)

- Maximum width 60" (152.4 cm)

Flush Mount End Caps

- Color coordinated to shade fabric
- Sleek look, tighter fit

Cord Lock (not visible)

- Sleek, streamlined design
- Color coordinated to shade fabric
- Free-floating serrated cord locking roller for dependable operation

Lift Cord

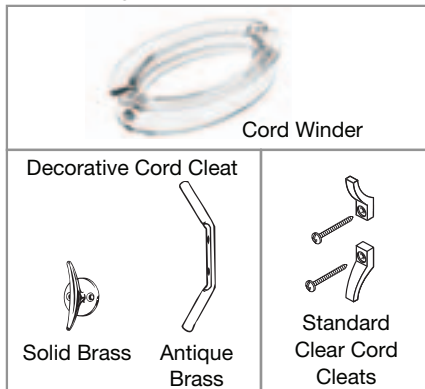
- Color coordinated to shade fabric
- 1.2 mm braided polyester with a core for durability

Joiner Ball and End Ball

- Color coordinated to shade fabric

This panel will vary in height depending on shade height.

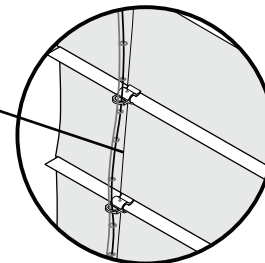
Cord Management Options



Back View with Safety Loop Cord

Safety Loop Cord

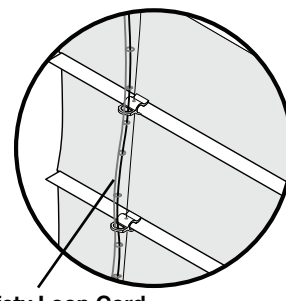
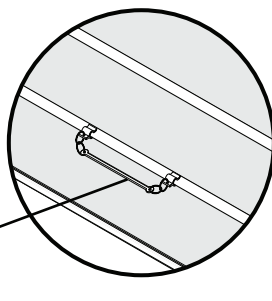
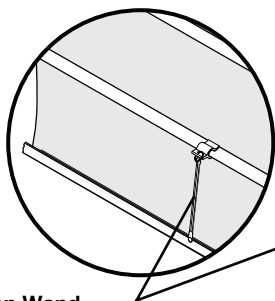
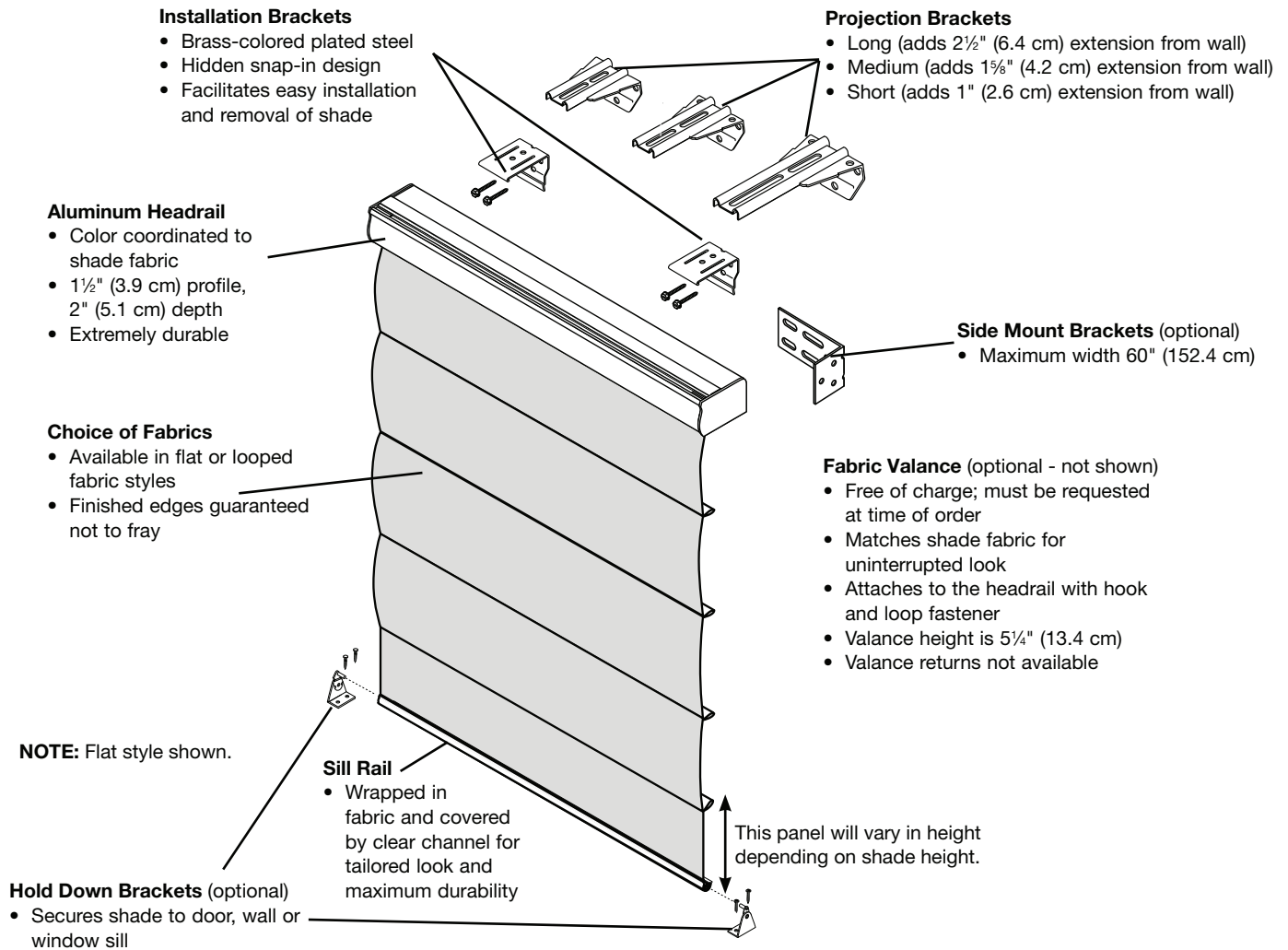
- Prevents cord from being easily pulled away from the shade and forming a loop



NOTE: Shown with standard cord.

General Information

Cordless Lift Product Detail



Hidden Wand

- For ease of opening and closing shade without touching fabric
 - Vertical wand is used with bottom panels greater than 2¾" (7.0 cm) in height
 - Horizontal wand is used with bottom panels less than 2¾" (7.0 cm) in height
 - Shades wider than 48" (122.0 cm) will have two wands for shade operation
- Back view showing vertical and horizontal wand.

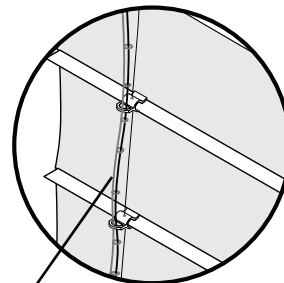
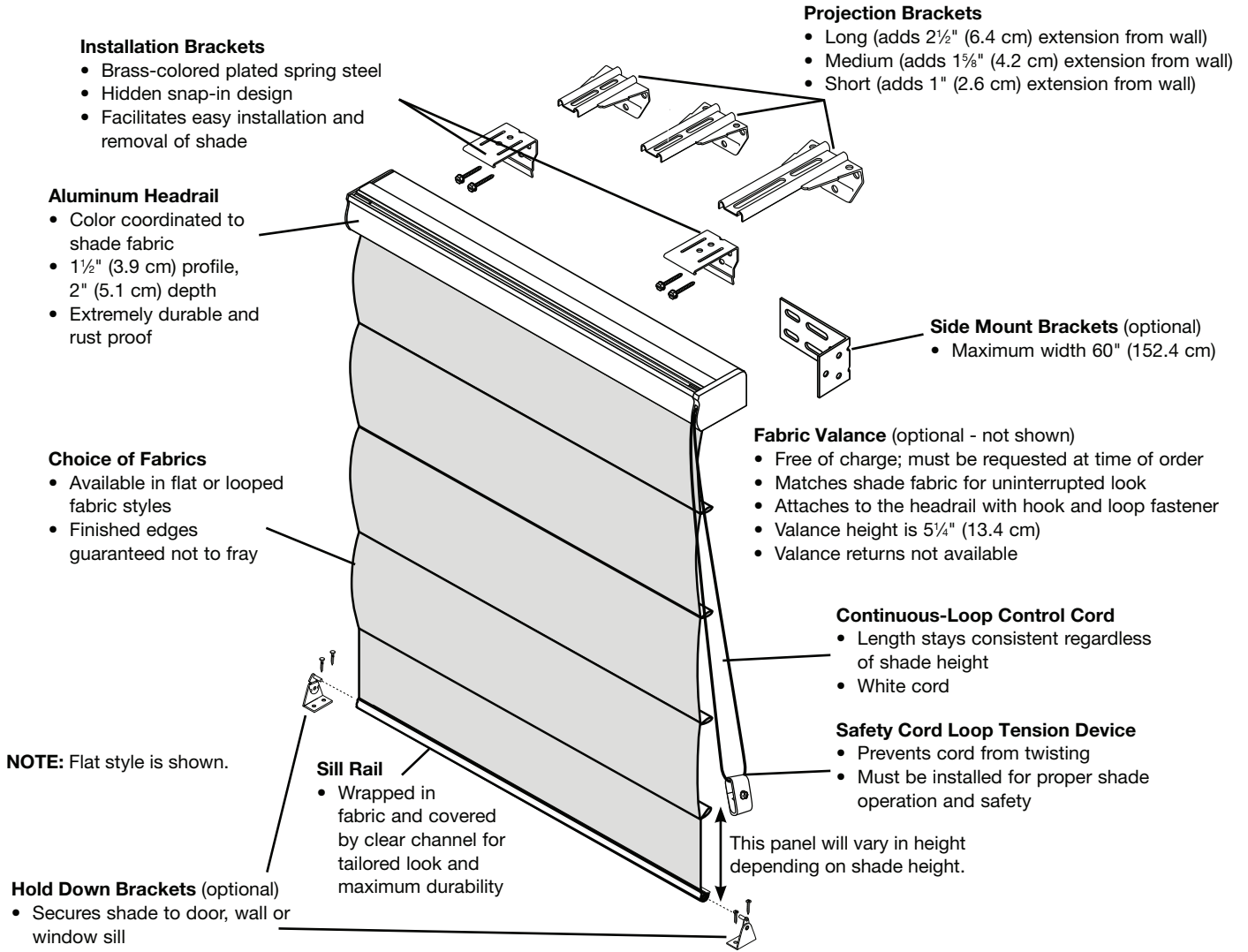
Safety Loop Cord

- Prevents cord from being easily pulled away from the shade and forming a loop
- Back view with safety loop cord.

NOTE: All cordless shades need to be used on windows where consumers can comfortably raise and lower them.

General Information

Continuous-Loop Lift Product Detail



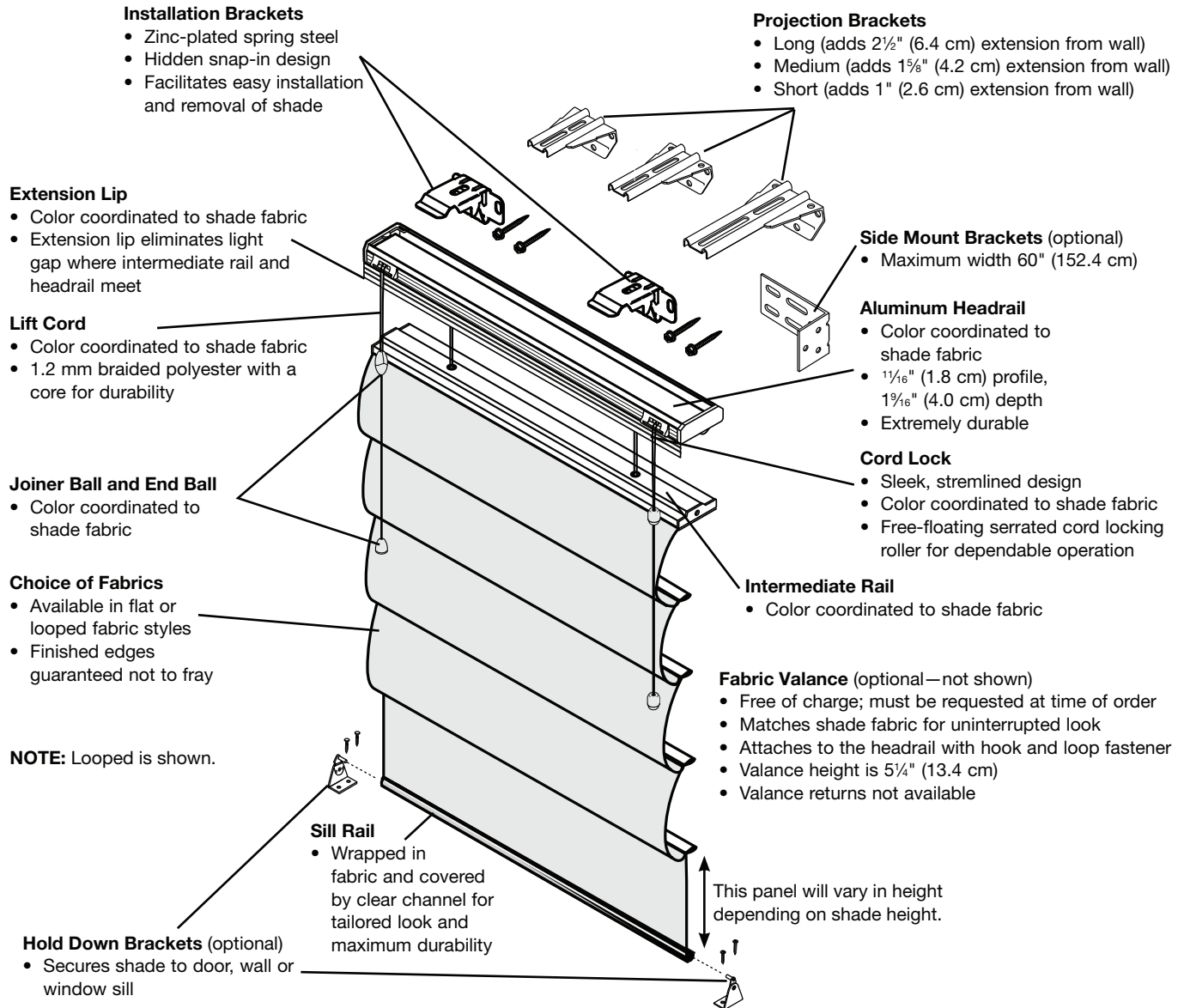
Safety Loop Cord

- Prevents cord from being easily pulled away from the shade and forming a loop

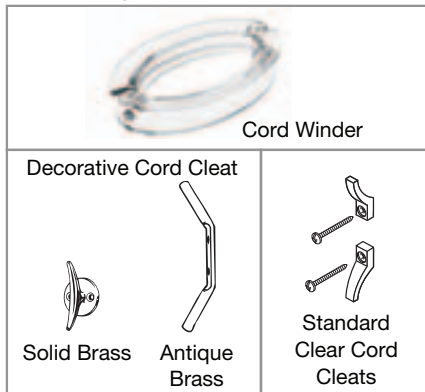
Back view with safety loop cord.

General Information

Bottom Up/Top Down Cord Lift Product Detail



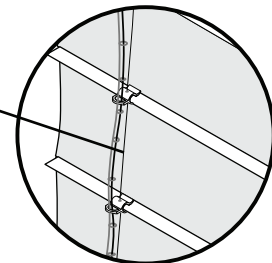
Cord Management Options



Back View with Safety Loop Cord

Safety Loop Cord

- Prevents cord from being easily pulled away from the shade and forming a loop



NOTE: Shown with standard cord.

Price Charts

Price Group A: Grasses, Regal

Flat Style

Height up to inches (cm) ↓	Width up to inches (cm) →																	
	18 (45.8)	24 (61.0)	31 (78.8)	36 (91.5)	42 (106.7)	48 (122.0)	54 (137.2)	60 (152.4)	66 (167.7)	72 (182.9)	84 (213.4)	96 (243.9)	108 (274.4)	120 (304.8)	132 (335.3)	144 (365.8)	174 (442.0)	192 (487.7)
36 (91.5)	\$268	282	315	352	389	408	457	515	545	587	617	778	857	1107	1181	1244	1449	1545
42 (106.7)	287	301	324	370	408	447	494	543	576	606	645	867	932	1160	1240	1321	1533	1692
48 (122.0)	305	322	359	401	445	489	534	573	596	638	683	920	1023	1291	1382	1477	1673	1829
54 (137.2)	324	340	387	424	473	522	555	594	636	676	704	997	1100	1342	1428	1517	1787	1978
60 (152.4)	354	373	424	445	517	545	587	631	671	701	734	1158	1254	1470	1575	1678	2011	2307
66 (167.7)	370	389	445	494	541	573	606	664	697	732	790	1198	1323	1531	1645	1757	2130	2395
72 (182.9)	382	401	478	522	569	599	638	692	729	783	836	1275	1412	1650	1768	1892	2267	2540
78 (198.2)	405	426	501	557	596	634	671	727	774	818	867	1321	1477	1736	1862	1997	2386	2638
84 (213.4)	433	457	534	587	631	664	704	764	813	853	892	1403	1589	1841	1990	2130	2540	2815
90 (228.6)	447	471	548	620	659	697	743	804	857	867	911	1456	1643	1906	2053	2204	2663	2917
96 (243.9)	475	501	592	645	690	732	774	843	876	897	934	1505	1692	2048	2209	2363	2773	3020

Add Surcharge to Shade Price

Cordless Surcharge	\$93	119	156
--------------------	------	-----	-----

Continuous width fabric up to 72" (182.9 cm)

Multiple Shades on One Headrail:
Shades less than or equal to fabric width:
Add surcharge: \$72 (two or three on one headrail)

Multiple Shades on One Headrail:
Shade widths exceeding fabric width:
No charge

Looped Style

Height up to inches (cm) ↓	Width up to inches (cm) →																	
	18 (45.8)	24 (61.0)	31 (78.8)	36 (91.5)	42 (106.7)	48 (122.0)	54 (137.2)	60 (152.4)	66 (167.7)	72 (182.9)	84 (213.4)	96 (243.9)	108 (274.4)	120 (304.8)	132 (335.3)	144 (365.8)	174 (442.0)	192 (487.7)
36 (91.5)	\$308	324	356	403	450	478	522	555	617	650	683	883	958	1228	1302	1384	1610	1713
42 (106.7)	326	343	363	422	473	506	552	580	643	683	725	951	1035	1291	1372	1459	1708	1878
48 (122.0)	343	361	417	447	501	524	573	617	680	722	757	1023	1135	1431	1533	1633	1857	2025
54 (137.2)	377	398	433	468	522	562	610	643	715	757	799	1125	1221	1489	1582	1675	1983	2190
60 (152.4)	410	431	464	494	555	587	636	678	755	797	841	1286	1393	1624	1745	1862	2230	2549
66 (167.7)	429	452	482	545	576	627	666	715	767	836	888	1370	1459	1699	1820	1948	2353	2654
72 (182.9)	447	471	515	571	622	662	706	753	834	883	937	1447	1561	1827	1960	2097	2509	2815
78 (198.2)	473	499	536	603	659	697	741	795	881	930	983	1508	1629	1915	2064	2211	2642	2922
84 (213.4)	506	529	571	629	692	732	774	829	925	976	1035	1610	1764	2039	2202	2360	2815	3118
90 (228.6)	524	552	601	662	732	771	816	918	974	1030	1090	1666	1815	2113	2276	2442	2947	3236
96 (243.9)	550	580	659	692	769	813	853	972	1028	1083	1146	1724	1878	2269	2444	2614	3066	3346

Add Surcharge to Shade Price

Cordless Surcharge	\$93	119	156
--------------------	------	-----	-----

Continuous width fabric up to 72" (182.9 cm)

Multiple Shades on One Headrail:
Shades less than or equal to fabric width:
Add surcharge: \$72 (two or three on one headrail)

Multiple Shades on One Headrail:
Shade widths exceeding fabric width:
No charge

Colors

Grasses*		Regal	
Chestnut	0123	Black	3216
Coast	0125	Brick	3233
Maple	0120	Chocolate	3235
		Jute	3217
		Midnight	3232
		Platinum	3237
		Snow White	3210
		Silver	3236
		Vanilla	3211

*Confidence in Textiles Oeko-Tex® Standard 100 Certified.

Price Charts

Price Group B: Cristale, Crossweave, Desert, Madrid, Royale, Suburban, Versailles

Flat Style

Height up to inches (cm) ↓	Width up to inches (cm) →																	
	18 (45.8)	24 (61.0)	31 (78.8)	36 (91.5)	42 (106.7)	48 (122.0)	54 (137.2)	60 (152.4)	66 (167.7)	72 (182.9)	84 (213.4)	96 (243.9)	108 (274.4)	120 (304.8)	132 (335.3)	144 (365.8)	174 (442.0)	192 (487.7)
36 (91.5)	\$405	424	475	529	587	617	687	781	818	883	932	1172	1295	1668	1775	1880	2183	2335
42 (106.7)	424	450	492	559	617	676	743	816	869	916	976	1305	1405	1745	1866	1990	2307	2544
48 (122.0)	459	482	538	606	669	734	806	860	902	962	1032	1384	1538	1946	2083	2223	2523	2752
54 (137.2)	487	513	580	643	718	788	841	892	958	1016	1060	1501	1659	2020	2153	2288	2698	2975
60 (152.4)	534	562	643	671	783	818	883	953	1009	1055	1102	1741	1890	2216	2372	2530	3031	3476
66 (167.7)	557	587	669	743	813	860	916	1004	1046	1097	1193	1803	1994	2304	2479	2645	3213	3612
72 (182.9)	573	601	720	788	855	904	962	1042	1095	1179	1261	1922	2123	2486	2666	2854	3418	3826
78 (198.2)	615	645	755	843	902	955	1009	1093	1165	1233	1305	1990	2223	2614	2805	3003	3593	3975
84 (213.4)	650	687	806	883	953	1004	1060	1151	1223	1282	1344	2116	2395	2768	2994	3213	3826	4243
90 (228.6)	678	713	820	934	993	1046	1123	1209	1284	1305	1370	2190	2472	2871	3094	3316	4010	4399
96 (243.9)	715	755	890	976	1039	1097	1165	1268	1319	1358	1410	2267	2544	3090	3327	3560	4178	4550

Add Surcharge to Shade Price

Cordless Surcharge	\$93	119	156
--------------------	------	-----	-----

Continuous width fabric: Madrid up to 58" (147.4 cm)
 Crossweave, Desert, Royale, Suburban, Versailles up to 72" (182.9 cm)

Multiple Shades on One Headrail: Shades less than or equal to fabric width:
Add surcharge: \$72 (two or three on one headrail)

Multiple Shades on One Headrail: Shade widths exceeding fabric width:
No charge

Looped Style

Height up to inches (cm) ↓	Width up to inches (cm) →																	
	18 (45.8)	24 (61.0)	31 (78.8)	36 (91.5)	42 (106.7)	48 (122.0)	54 (137.2)	60 (152.4)	66 (167.7)	72 (182.9)	84 (213.4)	96 (243.9)	108 (274.4)	120 (304.8)	132 (335.3)	144 (365.8)	174 (442.0)	192 (487.7)
36 (91.5)	\$450	473	522	589	657	699	767	811	904	948	997	1291	1396	1796	1901	2020	2349	2505
42 (106.7)	478	503	529	617	687	736	809	848	941	997	1060	1389	1515	1883	2004	2134	2498	2742
48 (122.0)	501	527	610	655	734	771	839	899	995	1058	1109	1491	1654	2095	2237	2388	2714	2959
54 (137.2)	555	583	638	685	767	820	892	941	1044	1109	1165	1647	1785	2181	2316	2456	2896	3204
60 (152.4)	599	631	676	722	811	862	934	993	1107	1163	1226	1878	2039	2377	2547	2721	3260	3721
66 (167.7)	629	662	708	799	841	911	979	1044	1121	1223	1295	2001	2134	2481	2663	2850	3446	3879
72 (182.9)	652	687	750	834	909	965	1032	1104	1219	1291	1363	2118	2281	2673	2866	3062	3672	4117
78 (198.2)	690	729	781	878	960	1018	1081	1160	1288	1356	1440	2202	2384	2805	3013	3227	3865	4273
84 (213.4)	736	776	834	923	1011	1067	1130	1214	1351	1428	1515	2349	2582	2980	3215	3453	4117	4557
90 (228.6)	769	809	876	974	1067	1128	1191	1344	1426	1510	1594	2430	2652	3087	3327	3567	4308	4732
96 (243.9)	806	848	960	1011	1123	1188	1247	1417	1505	1580	1675	2519	2742	3323	3572	3817	4483	4891

Add Surcharge to Shade Price

Cordless Surcharge	\$93	119	156
--------------------	------	-----	-----

Continuous width fabric: Madrid up to 58" (147.4 cm)
 Crossweave, Desert, Royale, Suburban, Versailles up to 72" (182.9 cm)

Multiple Shades on One Headrail: Shades less than or equal to fabric width:
Add surcharge: \$72 (two or three on one headrail)

Multiple Shades on One Headrail: Shade widths exceeding fabric width:
No charge

Colors

Cristale*	Desert*	Royale*	Versailles*
Angora 3271	Haze 3452	Granite 3426	Chocolate 3261
Antique White 3274	Mesa 3435	Ivory 3420	French Beige 3264
Parchment 3272	Natural 3434	Rapture 3425	Toast 3260
Pristine 3273	Sandstone 3432	Saddle 3423	White 3265
Crossweave*	Shell 3431	Storm 3424	
Beechwood 3410	Snow 3450	Suburban	
Diamond 3418	Madrid	Clay 3473	
Elm 3411	Azure 3515	Sand 3472	
Nutbrown 3412	Chocolate 3519	Stone 3471	
Slate 3416	Glow 3511	White 3470	
Spruce 3415	Granate 3517		
	Sand 3512		
*Confidence in Textiles Oeko-Tex®	Sienna 3518		
Standard 100 Certified.	Teal 3516		
	White 3510		

Options Pricing

Options Pricing	
Option	Surcharge
Bottom Up/Top Down Cord Lift	\$72
Continuous-Loop Lift	\$72
Cordless Lift	See price charts for surcharge
Cord Cleats	Clear: no charge Decorative: solid brass \$10 Antique brass \$5
Cord Winder	\$8
Motorized Lift	See motorization price list
Fabric Valance Trim	\$33
Multiple Shades On One Headrail (less than or equal to fabric width)	\$72 for two on one headrail or \$72 for three on one headrail
Wood Cornices And Valances	See wood cornice and valance price list

Fabric Valance-Only Pricing																		
Width up to inches (cm) →	18 (45.8)	24 (61.0)	31 (78.8)	36 (91.5)	42 (106.7)	48 (122.0)	54 (137.2)	60 (152.4)	66 (167.7)	72 (182.9)	84 (213.4)	96 (243.9)	108 (274.4)	120 (304.8)	132 (335.3)	144 (365.8)	174 (442.0)	192 (487.7)
Valance Only	\$84	89	93	98	105	107	110	114	123	128	140	149	158	165	179	189	268	294

Continuous valance is only available up to fabric width. If used on multiple shade on one headrail, or the valance is greater than the fabric width, the valance will have the same breaks as the panels.



Graber is a brand of Springs Window Fashions, the Best Experience Company 

Graber and the Graber logo are registered trademarks of Springs Window Fashions, LLC.

19-0714-01 (07/17) 17-5470|S16-2702