

TRADEWINDS® NATURAL SHADES AND DRAPES

Table of Contents

Features

Natural Shades, Natural Drapes	2
Nature's Beauty of Natural Shades	3
Material Styles and Information: Natural Shades and Natural Drapes	4

Size Considerations

Natural Shades, Depth Requirements for Inside Mount, Natural Drapes, Depth Requirements for Inside Mount	5
--	---

Options

Summary	6
Cord Lift: Natural Shades, Continuous-Loop Lift: Natural Shades, Cordless Lift: Natural Shades	7
Motorized Lift: Natural Shades, Motorized Quick Reference, Bottom Up/Top Down: Natural Shades	8
Natural Drapes Control Options, Fullness: Natural Drapes	9
Liners: Natural Shades and Natural Drapes, Edge Banding and Colors: Natural Shades and Natural Drapes	10
Cut-Outs: Natural Shades, Angle Top: Natural Shades	11
Multiple Shades on One Headrail: Natural Shades	12
Bay and Corner Windows	13
Valance: Natural Shades, Valance: Natural Drapes, Deco-Trim Valance or Hems: Natural Shades	14
Valance Returns for Standard Valances, Valance: Premiere Valance Only: Natural Shades and Natural Drapes	15
Accent Gimp: Natural Shades, Deco-Pocket Hem: Natural Shades	16
Turned Headrail: Natural Shades	17

General Information

Stack Charts: Natural Shades, Stack Height: Natural Shades	18
Stack Charts: Natural Drapes, Natural Drapes 10% Standard Fullness Stack Chart, Natural Drapes 60% Fullness Stack Chart	19
Natural Shades Product Detail	20
Natural Shades Looped Roman Product Detail	21
Natural Shades Cordless Lift Product Detail, Natural Shades Continuous-Loop Lift Product Detail	22
Natural Drapes Product Detail	23

Price Charts and Options Pricing

Price Group A: Lipo, Revelry	25
Price Group B: Chencun, Escape, Majian, Serenity, Toushan II	26
Price Group C: Inan, Moniz, Yunnan	27
Price Group D: Amour, Boardwalk, Majuro	28
Price Group E: Beachfront, Meilin, Sattera, Terrestrial, Zishan	29
Price Group F: Azores, Madeira, Merino, Paralian	30
Price Group G: Lipo, Revelry	31
Price Group H: Chencun, Escape, Majian, Serenity, Toushan II	32
Price Group I: Inan, Moniz, Yunnan	33
Price Group J: Amour, Boardwalk, Majuro	34
Price Group K: Azores, Madeira, Merino, Paralian	35
Options Pricing, Natural Shade Options, Natural Drape Options, Premiere Valance Only	36



Features

Natural Shades



Graber® Natural Shades are crafted from bamboo reed, slit bamboo, sisal, grass, and jute materials. They add natural color, texture, and dimension to your windows and create a comfortable atmosphere of casual elegance or simple sophistication.

- Standard Roman, old style Roman, or looped Roman shade designs
- Wide selection of colors, textures, and unique weaves
- Cord lift, cordless lift, continuous-loop lift, bottom up/top down, and motorized lift available
- 6" (15.3 cm) valance with horizontally oriented material is standard on shades except for motorized lift and continuous-loop lift
- 9" (22.9 cm) valance with horizontally oriented material is standard on shades with motorized lift and continuous-loop lift
- Premiere valance is standard on shades with cordless lift

Natural Drapes



- Natural drapes feature the rolling qualities of drapery in vertically oriented natural shade material
- Features corded or wand control in single or split stack
- Choose from standard fullness (when closed, waves slightly) or a 60% fullness (when closed, features drapery-like appearance)
- Premiere valance with vertical material orientation included with drape
- Shade without valance (optional, no additional charge) is not recommended, as aluminum headrail and hardware will be visible; suggested when ordering wood cornice
- Valance and returns will extend $\frac{3}{8}$ " (1.0 cm) per side on inside mount, and $\frac{1}{16}$ " (1.5 cm) to $\frac{5}{8}$ " (1.6 cm) per side on outside mount, further than drape width
- Edge banding required on the drapes and valance
 - Select from 1" (2.6 cm) or 2" (5.1 cm) solid edge banding for the drapes
 - Valance uses matching 1" (2.6 cm) edge banding on vertical orientation, up to 2" (5.1 cm) on horizontal orientation

NOTE: Not available with Beachfront, Meilin, Saterra, Terrestrial, and Zishan.

Features

Nature's Beauty of Natural Shades



There is simply no substitute for the beauty of the materials used in natural shades. The colors and textures of bamboo, reeds, grass, and jute have a distinct character and one-of-a-kind look that synthetic materials can't match.

Unique Characteristics of Natural Shades

Asymmetry

Materials used in natural shades are naturally grown and harvested. Variations in shape, thickness, texture, and grain are to be expected from Mother Nature. While adding personality, these variations create asymmetry in the weave that may alter the appearance of the finished shades. Specifically, you may notice:

- **Uneven Spacing or Gaps**—Differences in bamboo or reed shapes and thicknesses can create uneven spacing or gaps in the weave
- **Pattern Changes or Gaps**—The varying thickness of grassy materials, tied knots, and splices can create visual disruptions in the weave pattern or gaps in the weave
- **Length Differences**—Variations in thickness, bamboo joints, or reed sizes can create length differences from both sides of the shades
- **Bowing or Arching**—Different drying rates of bamboo fibers can create a bowing or arching effect on the finished shades

To minimize variations, all materials used are hand selected to comply with strict specifications. These variations are not considered flaws, but rather normal characteristics expected from naturally grown materials.

Color

Evolving with age, the color of bamboo, reeds, grasses, jute, and other natural materials will change slightly. Depending on material composition, they may lighten or darken due to direct sunlight or other climatic conditions. Uncolored or natural materials will experience the most color shift, changing from a green color at harvest to a yellow-brown color over three to six months. Color matching of shades cannot be guaranteed as these are natural reactions to aging.

With character, however, comes inherent natural properties that may influence the appearance of the finished shade. Recognizing and understanding the characteristic traits of natural materials provides more satisfaction and enjoyment once you know why each shade is truly unique!

Stretching/Sagging

The natural elasticity of yarns, combined with the weight of the woven material, may cause shades to stretch or sag from 1" (2.6 cm) to 1½" (3.9 cm), and sliding panels to stretch or sag from 1" (2.6 cm) to 2" (5.1 cm) after installation. This is particularly noticeable on inside mount shades or shades that extend from ceiling to floor. Ordering shades shorter than needed will help compensate for stretching over time. Adding edge banding not only gives your shades a truly personal touch, but also helps to control stretching.

Tips

During the shipping process, the natural material may have shifted slightly due to its woven construction, causing slight shortening or uneven edges.

Height—If after installation, the shades are slightly shorter than ordered, grasp the bottom of the shades and gently pull to stretch to the preferred height. Some materials will also stretch by themselves over time.

Uneven Edges—Lightly tap edge of the shades with a flat edge (for example, a ruler) until even.

Frayed Edges—If threads come loose near the edges, use a sharp scissors to trim off stray threads.

Light Control and Privacy

Sheer—Allows the most amount of light into the room for a minimum amount of privacy and a view to the outside. Objects in the room can be seen quite clearly through shades.

Light Filtering—Allows light to gently filter through and provides privacy. Images and shapes may be seen through these shades.

Natural shades may have variations and visual inconsistencies in color, weave, grain, and texture. They may also crack or split, twist or bow, shrink or stretch, and change color over time due to aging, direct sunlight, or other climatic conditions. These unique characteristics are inherent in natural materials and are not considered defects in material or workmanship. Exact color matches cannot be guaranteed.

Features

Material Styles and Information: Natural Shades and Natural Drapes

Style Name	Color Name	Color Number	Maximum Fabric Width inches (cm)	Light Control and Privacy*	Material Content	Shades Price Group	Drapes Price Group	Sliding Panels Price Group**
Amour	Radiant Pearl	00001 00116	96 (243.9)	Light filtering	Bamboo reed	D	J	H
Azores	Snow Suede	35060 35061	96 (243.9)	Light filtering	Wood	F	K	J
	Sycamore	35062						
	Carob	35063						
Beachfront	Tidepool	60040	96 (243.9)	Sheer	Bamboo reed	E	N/A	I
	Surf Thatch	60041 60042						
Boardwalk	Pier	15968	96 (243.9)	Sheer to light filtering	Bamboo reed, grass, jute	D	J	H
Chencun	White	60417	96 (243.9)	Sheer to light filtering	Slit bamboo, bamboo reed	B	H	F
	Appaloosa	00846						
Escape	Forest Island	25601 25602	96 (243.9)	Light filtering	Bamboo reed	B	H	F
	Inan	Umber	04858	96 (243.9)	Sheer to light filtering	Slit bamboo, bamboo reed, jute rope	C	I
Lipo	Earhtones	06793	96 (243.9)	Sheer to light filtering	Slit bamboo, bamboo reed, jute rope	A	G	E
	Ambrosia	06702						
	Java	06703						
	Tahoe	60705						
Madeira	Brunette	65010	96 (243.9)	Light filtering	Bamboo reed	F	K	J
	Wolf	65011						
Majian	Toffee	32296	96 (243.9)	Sheer to light filtering	Bamboo reed	B	H	F
	Driftwood	32445						
Majuro	Daisy	45070	96 (243.9)	Light filtering	Bamboo reed, jute	D	J	H
	Cattail	45071						
	Trail	45072						
	Stonybrook	45073						
Meilin	Onyx	51227	96 (243.9)	Light filtering	Jute, jute braid, bamboo reed	E	N/A	I
	Chroma	51201						
Merino	Burgos	50503	96 (243.9)	Sheer to light filtering	Bamboo reed, jute, jute braid	F	K	J
	Sevilla	55506						
	Grenada	55507						
	Belize	55508						
Moniz	Finland	05080	96 (243.9)	Light filtering	Bamboo reed, grass rope	C	I	G
	Peru	05081						
	Austria	05083						
	Belgium	05084						
Paralian	Mink	25050	96 (243.9)	Light filtering	Bamboo, paper yarn	F	K	J
	Sand Dollar	25051						
	Otter	25052						
Revelry	Birdnest	80045	96 (243.9)	Sheer to light filtering	Bamboo reed	A	G	E
	Dusk	80743						
	Dove	80745						
Saterra	Azure	03269	96 (243.9)	Sheer	Jute	E	N/A	I
	Terrain	03370						
	Veridian	03371						
Serenity	Haze	11502	96 (243.9)	Light filtering	Bamboo reed	B	H	F
	Dover White Coastline	15700 15702						
Terrestrial	Alpaca	28001	96 (243.9)	Light filtering	Grass	E	N/A	I
	Camel	28003						
Toushan II	Taupe	63659	96 (243.9)	Light filtering	Slit bamboo, bamboo reed	B	H	F
	Mocha	63759						
Yunnan	Arctic Seal	19585	96 (243.9)	Light filtering	Slit bamboo, bamboo reed, grass rope	C	I	G
	Sky	19586						
	Rocky Shore	19587						
Zishan	Auburn	43689	96 (243.9)	Light filtering	Grass, bamboo reed	E	N/A	I
	Stardust	43731						
	Toast	43734						
	Feather	30735						
	Hut	30736						
	Hula	30737						

*Privacy and light control without liner; addition of privacy or room-darkening liner improves privacy and light control.

**See sliding panels cost and product reference guide for more information.

***All fabrics have similar streetside appearance.

N/A = Not available

Size Considerations

Natural Shades

	Width		Height	
	Minimum inches (cm)	Maximum inches (cm)	Minimum inches (cm)	Maximum inches (cm)
Standard Roman Old Style Roman	10 (25.4) outside mount 10½ (26.7) inside mount	96 (243.9) single 144 (365.8) multiple 72 (182.9) with deco-pocket accent rod	10 (25.4) 16 (40.7) with deco-pocket hem	120 (304.8)
Looped Roman	12 (30.5) outside mount 12½ (31.8) inside mount			
Bottom Up/Top Down	14 (35.6) outside mount 14½ (36.9) inside mount	144 (365.8)	10 (25.4)	108 (274.4)
Continuous-Loop Lift	24 (61.0) outside mount 24½ (62.3) inside mount			
Cordless Lift	12 (30.5) outside mount 12½ (31.8) inside mount	96 (243.9) single 144 (365.8) multiple	10 (25.4)	See price charts
Multiple Shades on One Headrail	20½ (52.1) exact	144 (365.8)	10 (25.4)	See price charts
12 Volt Motorized Lift	18 (45.8) outside mount 18½ (47.0) inside mount	Determined by square feet; see motorization price list for more details.		
24 Volt Motorized Lift	22 (55.9) outside mount 22½ (57.2) inside mount			

Depth Requirements for Inside Mount

Type of Shade	Headrail Dimensions inches (cm)	Minimum Depth Mount inches (cm)	
		Partially recessed valance in window casing/molding	Fully recessed valance in window casing/molding
Standard, Old Style, and Looped Roman Bottom Up/Top Down	5/8 x 1½ (1.6 x 3.9)	¾ (2.0)	27/16 (6.2)
Cordless Lift	1½ x 2½ (3.9 x 5.4)		4¼ (10.8)
Continuous-Loop Lift Motorized Lift	5/8 x 2¼ (1.6 x 5.8)	¾ (2.0)	37/16 (8.1)
Turned Headrail	1½ x 5/8 (3.9 x 1.6)		15/8 (4.2) standard Roman 1 (2.6) old style Roman

Natural Drapes

	Width		Height	
	Minimum inches (cm)	Maximum inches (cm)	Minimum inches (cm)	Maximum inches (cm)
Standard Drapery Fullness	16 (40.7) outside mount	192 (487.7)	20 (50.8)	96 (243.9)
60% Drapery Fullness	17 (43.2) inside mount			

NOTE: Minimum surface for outside mount: 3" (7.7 cm).

Depth Requirements for Inside Mount

Headrail Dimensions inches (cm)		Minimum Depth Mount inches (cm)	
		Partially recessed valance in window casing/molding	Fully recessed valance in window casing/molding
Cord Control = 7/8 x 1½ (2.3 x 4.8)	Standard drapery fullness	35/16 (9.3)	8 (20.4)
	60% drapery fullness	4½ (11.5)	
Wand Control = 7/8 x 1½ (2.3 x 3.9)	Standard drapery fullness	35/16 (9.3)	8 (20.4)
	60% drapery fullness	4½ (11.5)	

Options

Summary

The following is a list of options for natural shades. Most options are available in all styles and colors. Limitations will be based on fabric width and fabric type. See detailed descriptions on the following pages.

	Standard Roman	Old Style Roman	Looped Roman
Cord Lift	•	•	•
Cordless Lift	•		
Continuous-Loop Lift	•	•	•
Motorized Lift	•	•	
Bottom Up/Top Down	•		
Angle Top	•		
Cut-Outs	•	•	
Multiple Shades on One Headrail	•	•	•

No Charge Options: Natural Shades

- Bay or corner window
- Hold down brackets[†]
- 3½" (8.0 cm) projection brackets
- 2" (5.1 cm) short returns
- Turned headrail
- Valances
 - 6" (15.3 cm) standard
 - 6" (15.3 cm) premiere (standard with cordless lift)
 - 9" (22.9 cm) standard (standard with continuous-loop lift and motorized lift)
 - No valance (always optional)

Surcharge Options: Natural Shades

- Control types
 - Cordless lift
 - Motorized lift
 - Continuous-loop lift
- Bottom up/top down
- Multiple shades on one headrail
- Specialty shades
 - Angle top
- Cut-outs
- Liners
- Edge banding*
- Decorative cord cleats
 - Antique brass
 - Solid brass
- Cord winder
- Wood cornices/valances
- Valances
 - 9" (22.9 cm) standard
 - 6" (15.3 cm) premiere
 - Horizontal or vertical orientation
 - 9" (22.9 cm) premiere
 - Horizontal or vertical orientation
 - 9" (22.9 cm) deco-trim valance
- Deco-trim hem
- Deco-pocket hem

No Charge Options: Natural Drapes

- Control types
 - Cord control
 - Wand control
- Ceiling mount brackets
- Edge banding*
- Valances
 - 6" (15.3 cm) premiere (standard with natural drapes)
 - Horizontal or vertical orientation
 - 9" (22.9 cm) premiere
 - Horizontal or vertical orientation
 - No valance (always optional)
- Fullness: standard (slight wave when closed)

Surcharge Options: Natural Drapes

- Fullness: 60% (drapery-like appearance when closed)
- Liners
- Wood cornices/valances

*Edge banding: Optional on shades or valances with horizontally oriented material; required on valances with vertically oriented material.

†Hold down brackets: Only available at time of order. Cannot be retrofitted. Not available with edge banding, deco-trim, or deco-pocket hem.

Options

Cord Lift: Natural Shades



- **No charge**
- Color coordinated cord and tassels
- Controls can be on the right or left of the shade
- Safety cord cleat provides the ability to keep the cord out of reach for children and pets
- Standard cord length is approximately $\frac{2}{3}$ of the shade height

Continuous-Loop Lift: Natural Shades



Cord shown; bead chain is used on shades over 30 square feet (2.8 square meters)

- **For surcharge, see options pricing**
- Available on standard Roman, old style Roman, and looped Roman shades
- Continuous-loop lift control raises and lowers the shade and is color coordinated to the shade material
 - Shades under 30 square feet (2.8 square meters) have color coordinated cord
 - Shades over 30 square feet (2.8 square meters) will use a nickel-plated steel bead chain loop in place of cord
 - When ordering different size shades for the same room, specify if bead chain is preferred for all shades
- Allows for easier operation of larger shades
- 9" (22.9 cm) valance is standard with the continuous-loop lift option; (6" (15.3 cm) valance not available)
- Not available with bottom up/top down or angle top shades

Cordless Lift: Natural Shades



- **For surcharge and size restrictions, see price charts**
- Available on standard Roman shades
- Cordless lift shades offer a safer alternative for homes with children and pets
- Easy to use: to lower shade, pull down; to raise shade, simply guide the shade into the desired location by gently lifting the hemrail
- Not available with cut-outs, bottom up/top down, deco-trim, or deco-pocket hems, or angle top shades
- Premiere valance included at time of order; see valance options for available styles

For Shades Less Than 17" (43.2 cm) in Width

If Finished Shade Width is inches (cm)	Maximum Height of Shade is inches (cm)
Equal to 12 (30.5) but less than 12½ (31.8)	23¼ (59.1)
Equal to 12½ (31.8) but less than 13 (33.1)	29½ (75.0)
Equal to 13 (33.1) but less than 13½ (34.3)	35¾ (90.9)
Equal to 13½ (34.3) but less than 14 (35.6)	42½ (107.0)
Equal to 14 (35.6) but less than 14½ (36.9)	48¾ (122.9)
Equal to 14½ (36.9) but less than 15 (38.1)	54¾ (138.8)
Equal to 15 (38.1) but less than 15½ (39.4)	61 (155.0)
Equal to 15½ (39.4) but less than 16 (40.7)	67¾ (170.9)
Equal to 16 (40.7) but less than 16½ (42.0)	73½ (186.7)
Equal to 16½ (42.0) but less than 17 (43.2)	79¾ (202.6)
Equal to 17 (43.2) or more	See price charts

Options

Motorized Lift: Natural Shades



Refer to motorization price list for additional options, sizing, and pricing.

Features

- Window treatments can be operated from virtually anywhere in the home
- Provides easy operation of hard-to-reach or large window coverings
- Efficiently manages energy (heat gain and loss)
- Operate multiple window treatments simultaneously or individually
- A safer alternative to traditional cords used to operate window coverings; ideal for homes with children and pets
- Easily integrated with home automation systems
- Low voltage motorization requires no costly electrical hard-wiring

Details

- Motor located on right side within the headrail
- Multiple controls and power options available
- Available on standard Roman and old style Roman
- Available with 9" (22.9 cm) valance only; no valance is optional
- Multiple shades on one headrail available; each panel will have a motor and power source
- Available with bottom corner and bottom center cut-outs
- Not available with bottom up/top down or specialty shapes
- Not available with hold down brackets

NOTE: Motorization components and accessories have a five-year limited warranty, excluding batteries.

Motorized Quick Reference

	Yes	No
Standard Roman	•	
Old Style Roman	•	
Looped Roman		•
Bottom Up/Top Down		•
Angle Top		•
Multiple Shades on One Headrail	•	

Bottom Up/Top Down: Natural Shades



For surcharges, see options pricing

Features

- Allows shades to be raised from the bottom up like a conventional shade, or operated from the top down
- Provides privacy while still allowing light in from the top of the window
- Ideal for bedrooms

Details

- Edge banding and liner options available
 - Liner recommended for valances
- Right control will raise the bottom; left control will lower the top (standard control locations only)
- Available as multiple shades on one headrail (maximum width of all shades = 144" (365.8 cm))
- 4" (10.2 cm) seclusion strip (street side) will be applied on blinds that are inside mount to conceal the headrail component (not available on outside mount)
- Available with all valance options
- Not available with looped Roman, old style, angle top shades, continuous-loop lift, turned headrail, motorized lift, or cordless lift

Options

Natural Drapes Control Options



Cord Control, no charge

- Cord and heavy duty tension pulley hidden behind drape
- Stack right, left, or split

Wand Control, no charge

- Ivory fiberglass wand positioned behind drape
- Stack right, left, or split
- Split stack will have 2 wands



Wand Control Chart

Finished Blind Length inches (cm)	Cord Control Length inches (cm)	Wand Length inches (cm)
Up to 30 (76.2)	14 (35.6)	12 (30.5)
30 ¹ / ₁₆ to 48 (76.4 to 122.0)	26 (66.1)	24 (61.0)
48 ¹ / ₁₆ to 77 (122.1 to 195.6)	38 (96.6)	36 (91.5)
77 ¹ / ₁₆ to 92 (195.8 to 233.7)	50 (127.0)	48 (122.0)
92 ¹ / ₁₆ to 96 (233.9 to 243.9)	62 (157.5)	60 (152.4)

Fullness: Natural Drapes



Standard Fullness Right Stack

For surcharges, see options pricing

- Standard fullness (when closed, waves slightly)
- 60% fullness (when closed, features drapery-like appearance)
- Premiere valance included at time of order; see valance options for available styles



60% Fullness Right Stack

Options

Liners: Natural Shades and Natural Drapes



For surcharges, see options pricing

- Liners are 100% polyester
- Available up to 96" (243.9 cm) wide on shades and 192" (487.7 cm) on drapes
- Privacy and room-darkening liner colors available
- All liners are neutral to the street
- Liner reversal available upon request

Privacy Liner

A privacy liner is a good choice for dining rooms, living rooms, and other semi-private areas, subduing the light that enters a room. Objects appear as silhouettes from the outside.

Room-Darkening Liner

This liner blocks most incoming light and provides complete privacy. Ideal for bedrooms and media rooms.

Colors	Privacy Color Number	Room-Darkening Color Number
Cocoa	2297	6297
Taupe	2659	6659
Sand	2701	6701
Seal	2012	6012
Snow White	2909	6909

Edge Banding and Colors: Natural Shades and Natural Drapes



For surcharge, see options pricing

- Edge banding adds a framed color accent and can also eliminate material fray on edge of shade
- 1" (2.6 cm) or 2" (5.1 cm) fabric banding is applied to sides and bottom of shade and valance
- Deco-trim valance may be ordered with edge banded shades, valance will not have edge banding
- See chart for colors
- Edge banding not available on deco-trim or deco-pocket hems, angle top shades, cut-outs, or with hold down brackets

Woven Wood Drapes

- 1" (2.6 cm) or 2" (5.1 cm) solid colors available on top and bottom of drapes: **no charge**
- Optional 1" (2.6 cm) or 2" (5.1 cm) solid colors available on drape sides: **no charge**
- Lined drapes require edge banding on all four sides
- 1" (2.6 cm) edge banding of same color will be on top and bottom edge of valance
- Use chart below for colors

Edge Banding	1" (2.6 cm) Color Number	2" (5.1 cm) Color Number	Natural Shades	Natural Drapes
Black	7000	1000	•	•
Chocolate	7006	1005	•	•
Cocoa	7001	1001	•	•
Dark Beige	7005	1003	•	•
Gray	7176	1176	•	•
Light Sage	7173	1173	•	•
Mink Gray	7174	1174	•	•
Muslin	7172	1172	•	•
Serpentine Cocoa	N/A	3003	•	
Serpentine Cosmos	N/A	3170	•	
Serpentine Landscape	N/A	3171	•	
Smoke	7175	1175	•	•
Snow White	7170	1170	•	•
Taupe	7008	1007	•	•
Toffee	7002	1002	•	•
Trellis Basalt	N/A	3172	•	
Trellis Dune	N/A	3173	•	
Vanilla	7171	1171	•	•

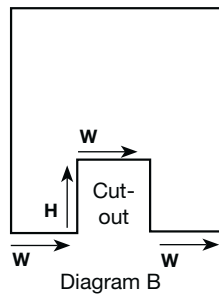
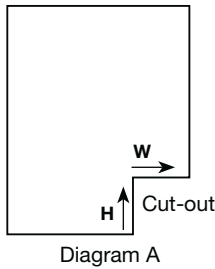
Options

Cut-Outs: Natural Shades



For surcharge, see options pricing

- Available with standard and old style Roman shades
- Bottom corner cut-out (diagram A):
 - Maximum width: 6" (15.3 cm) cut-out
 - Any height (up to the headrail)
- Bottom center cut-out (diagram B):
 - Maximum height: 5" (12.7 cm) cut-out
 - Maximum width must leave 3" (7.7 cm) on each side of the cut-out
- Not available with: hold-down brackets, edge banding, deco-trim hems, deco-pocket hems, bottom up/top down shades, cordless lift, continuous-loop lift, or looped Roman shades



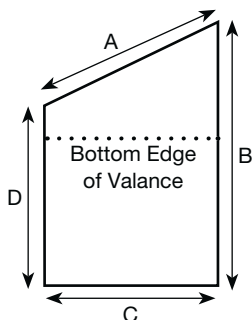
Angle Top: Natural Shades



For surcharges, see options pricing

- 3-day manufacturing time does not apply
- For angle top shades, supply all four measurements (A, B, C, D) as shown in the diagram below
- Shades will raise only to the bottom edge of the valance; the upper angled portion of the shades and valance cannot be opened and closed
- 6" (15.3 cm) and 9" (22.9 cm) standard valance only
- Valance requires gimp trim at the top edge by the headrail (A)
- Control location on low side only
- Not available with looped Roman shades, old style Roman shades, bottom up/top down, continuous-loop lift, cordless, motorized, turned headrail, or edge banding
- Valance returns are not available

Minimum Width	18" (45.8 cm) (outside mount) 18½" (47.0 cm) (inside mount)
Maximum Straight Width	60" (152.4 cm) (outside mount) 60½" (153.7 cm) (inside mount)
Minimum Height	10" (25.4 cm)
Minimum Height (short side)	7½" (19.1 cm)
Maximum Height	120" (304.8 cm)
Maximum Degree of Angle	60°

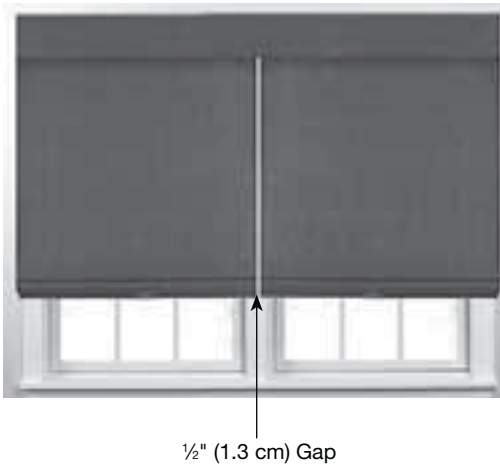


Measuring Outside Mount:

1. Measure exact width and height of area to be covered. It is recommended that shades overlap window frame or opening by 1½" (3.9 cm) on each side.
2. Measure height of opening on left side and mark this dimension "left". Allow for overlap as desired: 1½" (3.9 cm) on top and bottom is recommended.
3. Measure height of opening on the right side and mark this dimension "right". Allow for same overlap as left side.
4. Factory will determine the angle from these three dimensions.

Options

Multiple Shades on One Headrail: Natural Shades



For surcharges, see options pricing

How to Measure

1. Measure overall width of area to be covered.
2. Measure width of the area each shade is to cover; measure and specify left shade first, continuing to the right.
NOTE: Minimum of 1/2" (1.3 cm) between shades for operating clearance.
3. Total width of all shades, plus clearance (gap), must equal the overall headrail width.
4. Use standard inside or outside measuring directions for height.
5. For patio doors, measure height to within 1" (2.6 cm) of the floor either from the ceiling or a point high enough above door to provide clearance; cords should be on outside edges of shades; outside mount (wall) installation is recommended for patio doors.

- Shades operate separately
- Controls can be on the right or left at no charge
 - Standard for two on one headrail: left panel—left control; right panel—right control
 - Standard for three on one headrail: left panel—left control; middle panel—right control; right panel—right control
- Horizontal material alignment between panels is not guaranteed
- Liner options available
- Edge banding is available—will be attached around each panel
- Shades up to the maximum material width will have a continuous valance
- Shades over maximum material width will have a valance with each panel which are butted in between each panel gap
- Premiere valance will not be spliced at the same dimensions as the multiple blinds; premiere valances will be spliced evenly

NOTE: Horizontal oriented valances over 96" (243.9 cm) will be spliced in 1 to 3 places and will not align with shade panels. Vertically oriented material will be one continuous piece. Hardwood frame will be spliced at 94" (238.8 cm) with returns and 95" (241.3 cm) without returns.

For Cordless Shades Less than 18" (45.8 cm) in Width

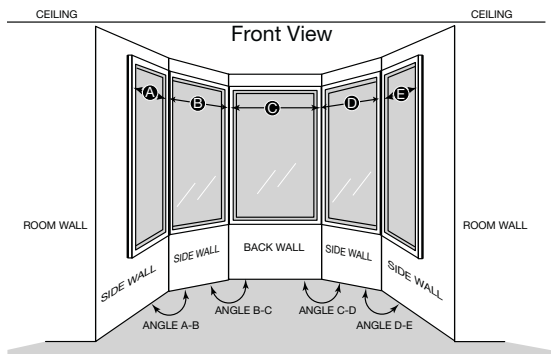
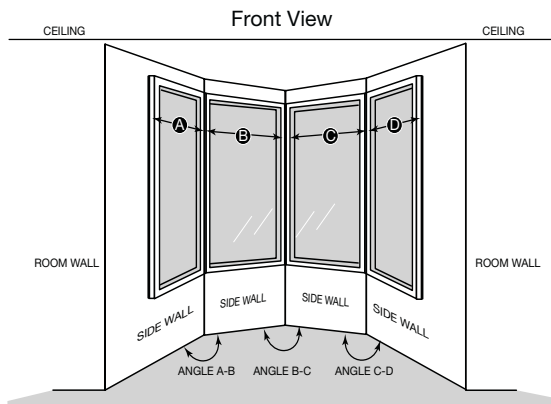
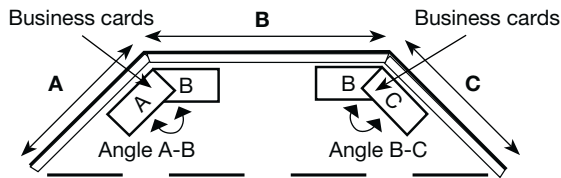
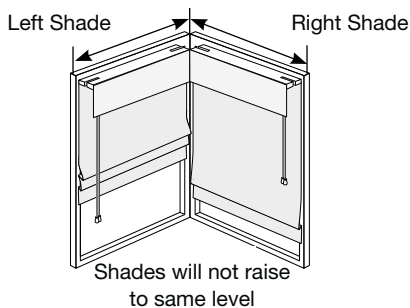
If Finished Shade Width is inches (cm)	Maximum Height of Shade is inches (cm)
Equal to 12 (30.5) but less than 12½ (31.8)	15% (39.1)
Equal to 13 (33.1) but less than 13½ (34.3)	21% (55.0)
Equal to 13½ (34.3) but less than 14 (35.6)	28 (71.2)
Equal to 14 (35.6) but less than 14½ (36.9)	34¼ (87.0)
Equal to 14½ (36.9) but less than 15 (38.1)	40½ (102.9)
Equal to 15 (38.1) but less than 15½ (39.4)	46¾ (118.8)
Equal to 15½ (39.4) but less than 16 (40.7)	53½ (135.0)
Equal to 16 (40.7) but less than 16½ (42.0)	59% (150.9)
Equal to 16½ (42.0) but less than 17 (43.2)	65% (166.7)
Equal to 17 (43.2) but less than 17½ (44.5)	72 (182.9)
Equal to 17½ (44.5) but less than 18 (45.8)	78¼ (198.8)
Equal to 18 (45.8) or more	See price charts

Options

Bay and Corner Windows

- Available on standard Roman and old style Roman shades
 - Bay and corner shades are used to butt two shades together in a corner window
 - Pull cords can be on the right or left side of each shade; locating cords opposite of the corner is recommended
 - Depending on the angle, some corner shades cannot be raised to the same height
 - Bay and corner shades not available with hold-down brackets, looped Roman shades, turned headrail, and multiple shades on one headrail
 - Horizontal pattern alignment between shades cannot be guaranteed
 - Priced as standard shades, no additional surcharge
 - Headrails will not be mitered
 - Standard valances will not be mitered
 - Premiere valances will be mitered
- NOTE:** Manufacturer will take appropriate deduction for corner/bay windows. If deductions are not required, do not order as corner/bay.

Measuring Information



Corner Window

Measure:
Width of each window from corner to the point you would like to cover.

Three-Sided Bay Window

Measure:
A & C: Width of side windows from the corners to the point you would like the blind to cover.
B: Width of the center window from corner to corner.
Angle A-B: Angle between windows (A) and (B).
Angle B-C: Angle between windows (B) and (C).

Measure bay angle using protractor or angle finder, or use two business cards in bay corner as illustrated and fax to customer service.

Four-Sided Bay Window

Measure:
A & D: Width of side windows from the corners to the point you would like the blind to cover.
B & C: Width of each window from corner to corner.
Angle A-B: Angle between windows (A) and (B).
Angle B-C: Angle between windows (B) and (C).
Angle C-D: Angle between windows (C) and (D).

Measure bay angle using protractor or angle finder, or use two business cards in bay corner as illustrated and fax to customer service.

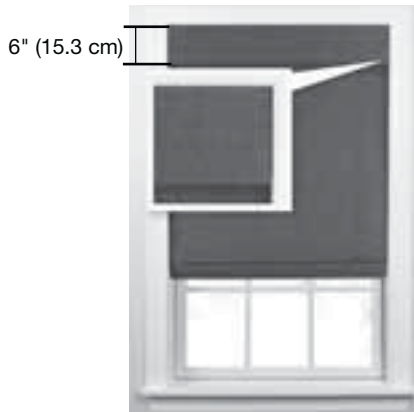
Five-Sided Bay Window

Measure:
A & E: Width of side windows from the corners to the point you would like the blind to cover.
B, C & D: Width of each center window from corner to corner.
Angle A-B: Angle between windows (A) and (B).
Angle B-C: Angle between windows (B) and (C).
Angle C-D: Angle between windows (C) and (D).
Angle D-E: Angle between windows (D) and (E).

Measure bay angle using protractor or angle finder, or use two business cards as illustrated and fax to customer service.

Options

Valance: Natural Shades



Standard Valance Horizontal Orientation



Premiere Valance Option B Shown

Cord lift no charge options

- 6" (15.3 cm) valance with shade
- No valance is optional; unfinished headrail and hardware are visible

Continuous-loop lift and motorized lift no charge options

- 9" (22.9 cm) valance with shade (6" (15.3 cm) valance is not available)

Cordless lift no charge options

- See valance: premiere valance only: natural shades and drapes section

Additional valance information

- Edge banding will be applied to the sides and bottom of the valance if option is chosen for complete finished shades
- Liner can be added to the valance; must specify privacy or room-darkening liner and color; see price chart for surcharge

Control Type/ Shade Options with Standard Valance	Full Recess Depth Including Valance inches (cm)	Standard Return Width Outside Mount inches (cm)	Standard Return Width Inside Mount inches (cm)	Minimum Return Width inches (cm)	Maximum Return Width inches (cm)
Cord Lift	2 ¹ / ₁₆ (6.2)	2 ¹ / ₁₆ (5.3)	1 ¹ / ₂ (3.9)	1 ¹ / ₂ (3.9)	3 ¹ / ₂ (8.9)
Continuous-Loop Lift	3 ³ / ₁₆ (8.1)	2 ¹³ / ₁₆ (7.2)	2 ¹ / ₄ (5.8)	1 ¹ / ₂ (3.9)	3 ¹ / ₂ (8.9)
Motorized Lift*	3 ³ / ₁₆ (8.1)	2 ¹³ / ₁₆ (7.2)	2 ¹ / ₄ (5.8)	1 ¹ / ₂ (3.9)	3 ¹ / ₂ (8.9)
Bottom Up/Top Down	2 ¹ / ₁₆ (6.2)	2 ¹ / ₁₆ (5.3)	1 ¹ / ₂ (3.9)	1 ¹ / ₂ (3.9)	3 ¹ / ₂ (8.9)

*See motorized product information guide for more details.

- Special 2" (5.1 cm) valance return **length**: available upon request
- No liner or edge banding on valance returns

Valance: Natural Drapes

- No charge for premiere valance at time of order (must select option)
- Liner is required for vertically oriented premiere valance
- No valance is optional; aluminum headrail and hardware are visible
- Valance return height will match valance height option chosen

Deco-Trim Valance or Hems: Natural Shades

Seascape



This design is scaled to the width of the shade

Dentil



This design will repeat with the width of the shade

Cathedral



This design will repeat with the width of the shade

Horizon



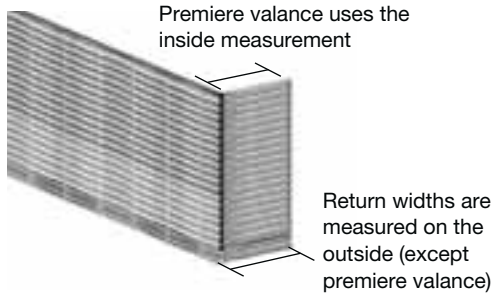
This design is scaled to the width of the shade

For surcharge, see options pricing

- Distinctive valance and hem designs with accent gimp
- Deco-trim valance or hem designs are cut into the valance or hem of the shade to a depth of approximately 2¹/₂" (6.4 cm)
- 9" (22.9 cm) deco-trim valance is measured from the top of the headrail to the lowest point
- Deco-trim hems allow light through at the bottom of the shade; if complete privacy and light filtering are desired, add 2¹/₂" (6.4 cm) to the ordered height
- Accent gimp must be selected with deco-trim valance or hem
- Available with 9" (22.9 cm) valance only

Options

Valance Returns for Standard Valances



Window depths vary considerably depending on the age and style of the window. **Always** measure the window depth, regardless of the type of window treatment the client is considering. Knowing the depth when the order is placed can help prevent costly errors.

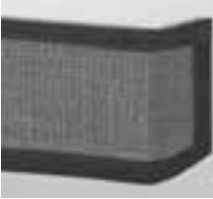
To calculate the return width, use this formula:

$$[\text{Standard return width}] \text{ minus } [\text{client window depth}] = \text{special return width to order for inside mount blind}$$

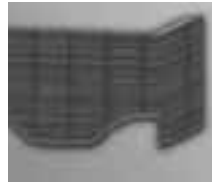
Valance: Premiere Valance Only: Natural Shades and Natural Drapes



Option A



Option B



Option C

Premiere valance only

- No charge option for natural drape at time of order

Natural material is mounted to a North American hardwood frame with mitered corner returns that attach separately. Valance upgrade options provide stable returns and a clean, uniform appearance.

- Valance can be ordered for use alone or to complement other window treatments
- Valance material is attached to a hardwood frame; includes mounting brackets (standard, ceiling, or projection brackets)
- Valance returns are available (must be specified at the time of the order)
- Valance returns are standard on outside mount natural premiere valance based on headrail depth

Control Type/ Shade Options with Premiere Valance	Full Recess Depth Including Valance inches (cm)	Return Width Inside/ Outside Mount— Standard Mounting Brackets inches (cm)	Return Width Inside/ Outside Mount— 2" (5.1 cm) Extension Brackets inches (cm)	Return Width Inside/ Outside Mount— 2½" (6.7 cm) Extension Brackets inches (cm)	Return Width Inside/ Outside Mount— 3½" (8.9 cm) Extension Brackets inches (cm)	Minimum Return Width inches (cm)
Cord Lift	2⅞ (6.2)	3¾ (9.6)	4½ (11.5)	5⅝ (13.7)	6⅞ (15.8)	1½ (3.9)
Continuous-Loop Lift	3⅞ (8.1)	4½ (11.5)	5⅞ (14.2)	6⅞ (15.4)	6⅞ (17.7)	1½ (3.9)
Motorized Lift*	3⅞ (8.1)	4½ (11.5)	5⅞ (14.2)	6⅞ (15.4)	6⅞ (17.7)	1½ (3.9)
Bottom Up/ Top Down	2⅞ (6.2)	3¾ (9.6)	4½ (11.5)	5⅝ (13.7)	6⅞ (15.8)	1½ (3.9)
Cordless Lift	4¼ (10.8)	4½ (11.5)	5 (12.7)	5½ (14.0)	6⅞ (16.4)	1½ (3.9)
Drape	8 (20.4)	6½ (16.6)	N/A	N/A	N/A	2 (5.1)

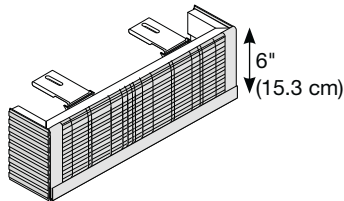
*See motorized product information guide for more details.

- Valances over maximum material width will be butted
- Edge banding is available on 6" (15.3 cm) or 9" (22.9 cm) horizontal or vertical oriented material; not available on deco-trim
- No liner or edge banding on valance returns

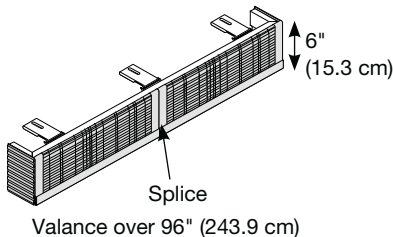
Options:

- 6" (15.3 cm) or 9" (22.9 cm) valance with horizontally material orientation; edge banding is optional (6" (15.3 cm) not available with motorized lift and continuous-loop lift).
- 6" (15.3 cm) or 9" (22.9 cm) valance with vertical material orientation; 1" (2.6 cm) edge banding top and bottom mandatory (6" (15.3 cm) not available with motorized lift and continuous-loop lift).
- 9" (22.9 cm) deco-trim valance; no vertical orientation option (must select accent gimp).
- Wood cornice: See cornices and valances price list.

NOTE: Horizontal oriented valances over 96" (243.9 cm) will be spliced in one to three places and will not align with shade panels. Vertically oriented material will be one continuous piece. Hardwood frame will be spliced at 94" (238.8 cm) with returns and 95" (241.3 cm) without returns.



Valance less than 96" (243.9 cm)



Valance over 96" (243.9 cm)

Options

Accent Gimp: Natural Shades



For surcharges, see price charts

- Required with 9" (22.9 cm) deco-trim valance or deco-pocket hem; optional on other horizontal material orientation valances and standard hems
- Not available with vertically-oriented material



NOTE: Must choose accent gimp color when a deco-trim style has been selected for the valance or hem.

Black	156	Rock Gray	399
Chocolate	04	Tender Taupe	103
Cream	715	Toffee	296
Dark Beige	350	White	417

Deco-Pocket Hem: Natural Shades

Dentil—Hem with Accent Rod



Cathedral—Hem with Accent Rod



For surcharges, see options pricing

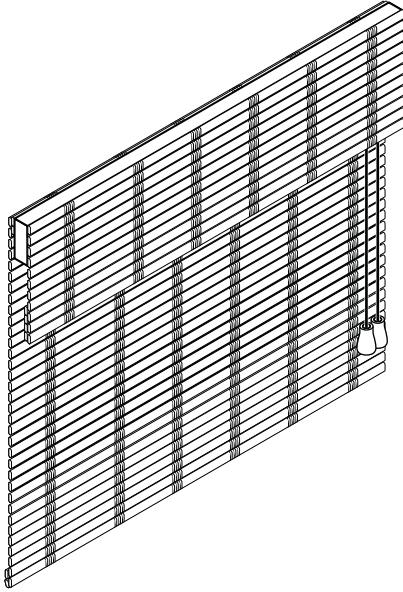
- 3-day manufacturing time does not apply
- Distinctive hem designs with decorative accent rod and accent gimp
- 5/8" (1.6 cm) diameter metal rods with a classic ball finial, cut to width
 - Accent rod: maximum width 72" (182.9 cm)
- Deco-pocket hems also available without accent rod to add your own decorative hardware
- Deco-pocket hem designs are cut into the hem of the shades to a depth of approximately 4 1/2" (11.5 cm), allowing light through the bottom of the shades
 - If complete privacy and light filtering are desired, add 4 1/2" (11.5 cm) to the ordered height
- Must select accent gimp with deco valance or hem
- Not available with cut-out, cordless lift, or motorized lift

Rod Colors Available:

Matte Black	84
Satin Nickel	59

Options

Turned Headrail: Natural Shades



- **No charge**
- Headrail turned 90 degrees to allow for a smaller inside mount shade or for use on French doors
- Available as inside or outside mount; headrail mounted by placing mounting screws through headrail directly into mounting surface
- Minimum depth required: ¾" (2.0 cm)
- Available with cord lift and old style Roman
- 6" (15.3 cm) standard or 9" (22.9 cm) deco-trim valance available options; see price charts for surcharge
- Not available with bay or corner windows, bottom up/top down
- **Valance returns are not available**

General Information

Stack Charts: Natural Shades

NOTE: For shades, stack height is measured from the top of the headrail to the lowest point of the shades when completely raised. Stack heights are approximate and will vary by material.

Stack Height: Natural Shades

	Height of Shade up to inches (cm)	Standard Hem		Deco-Trim Hem Deco-Pocket Hem	
		No Liner inches (cm)	Privacy or Room Darkening Liner inches (cm)	No Liner inches (cm)	Privacy or Room Darkening Liner inches (cm)
Cord Lift • Standard Roman • Old Style Roman • Turned Headrail Roman	30 (76.2)	8 ³ / ₄ -9 ³ / ₄ (22.3-24.8)	8 ³ / ₄ -10 (22.3-25.4)	13 ³ / ₄ -14 ³ / ₄ (35.0-37.5)	13 ³ / ₄ -14 ³ / ₄ (35.0-37.5)
	50 (127.0)	10 ¹ / ₄ -10 ¹ / ₂ (26.1-26.7)	10 ¹ / ₄ -10 ¹ / ₂ (26.1-26.7)	15-15 ¹ / ₄ (38.1-38.8)	15-15 ¹ / ₄ (38.1-38.8)
	70 (177.8)	10 ³ / ₄ -11 (27.4-28.0)	10 ³ / ₄ -11 ¹ / ₄ (27.4-28.6)	15 ¹ / ₂ -15 ³ / ₄ (39.4-40.1)	15 ¹ / ₂ -15 ³ / ₄ (39.4-40.1)
	90 (228.6)	11 ¹ / ₄ -11 ¹ / ₂ (28.6-29.3)	11 ¹ / ₂ -11 ³ / ₄ (29.3-29.9)	16-16 ¹ / ₄ (40.7-41.3)	16-16 ¹ / ₄ (40.7-41.3)
	110 (279.4)	11 ³ / ₄ -12 (29.9-30.5)	12-12 ¹ / ₄ (30.5-31.2)	16 ¹ / ₂ -16 ³ / ₄ (42.0-42.6)	16 ¹ / ₂ -16 ³ / ₄ (42.0-42.6)
	120 (304.8)	12-12 ¹ / ₂ (30.5-31.8)	12 ¹ / ₄ -12 ¹ / ₂ (31.2-31.8)	17-17 ¹ / ₄ (43.2-43.9)	17-17 ¹ / ₄ (43.2-43.9)
Continuous-Loop Lift Motorized Lift • Standard Roman • Old Style Roman	30 (76.2)	9 ³ / ₄ -10 (24.8-25.4)	9 ³ / ₄ -10 ¹ / ₄ (24.8-26.1)	14 ¹ / ₂ -15 (36.9-38.1)	14 ¹ / ₂ -15 (36.9-38.1)
	50 (127.0)	10 ¹ / ₄ -10 ³ / ₄ (26.1-27.4)	10 ¹ / ₂ -11 (26.7-28.0)	15 ¹ / ₄ -15 ³ / ₄ (38.8-40.1)	15 ¹ / ₄ -15 ³ / ₄ (38.8-40.1)
	70 (177.8)	11-11 ¹ / ₄ (28.0-28.6)	11 ¹ / ₄ -11 ¹ / ₂ (28.6-29.3)	16-16 ¹ / ₄ (40.7-41.3)	16-16 ¹ / ₄ (40.7-41.3)
	90 (228.6)	11 ¹ / ₂ -11 ³ / ₄ (29.3-29.9)	11 ³ / ₄ -12 (29.9-30.5)	16 ¹ / ₂ -16 ³ / ₄ (42.0-42.6)	16 ¹ / ₂ -16 ³ / ₄ (41.3-42.6)
	110 (279.4)	12-12 ¹ / ₄ (30.5-31.2)	12 ¹ / ₄ -12 ¹ / ₂ (31.2-31.8)	17-17 ¹ / ₄ (43.2-43.9)	17-17 ¹ / ₄ (43.2-43.9)
	120 (304.8)	12 ¹ / ₂ -12 ³ / ₄ (31.8-32.4)	12 ³ / ₄ -13 (32.4-33.1)	17 ¹ / ₂ -17 ³ / ₄ (44.5-45.1)	17 ¹ / ₂ -17 ³ / ₄ (44.5-45.1)
Cord Lift • Looped Roman	30 (76.2)	9 ³ / ₄ -10 ¹ / ₂ (24.8-26.7)	9 ³ / ₄ -10 ³ / ₄ (24.8-27.4)	14 ¹ / ₂ -15 (36.9-38.1)	14 ¹ / ₂ -15 ¹ / ₄ (36.9-38.8)
	50 (127.0)	10 ³ / ₄ -11 ¹ / ₄ (27.4-29.9)	11-12 (28.0-30.5)	15 ¹ / ₄ -16 ¹ / ₄ (38.8-41.3)	15 ³ / ₄ -16 ³ / ₄ (40.1-42.6)
	70 (177.8)	12-13 (30.5-33.1)	12 ¹ / ₄ -13 (31.2-33.1)	16 ¹ / ₂ -17 ¹ / ₄ (42.0-43.9)	17-17 ¹ / ₄ (43.2-45.1)
	90 (228.6)	13 ¹ / ₄ -14 (33.7-35.6)	13 ¹ / ₄ -14 ¹ / ₄ (33.7-36.2)	17 ¹ / ₂ -18 ¹ / ₄ (44.5-47.0)	18-19 (45.8-48.3)
	110 (279.4)	14 ¹ / ₄ -14 ³ / ₄ (36.2-36.9)	14 ¹ / ₂ -15 (36.9-38.1)	18 ³ / ₄ -19 ¹ / ₄ (47.7-48.9)	19 ¹ / ₄ -20 (48.9-50.8)
	120 (304.8)	14 ³ / ₄ -15 (37.5-38.1)	15 ¹ / ₄ -15 ³ / ₄ (38.8-40.1)	19 ¹ / ₂ -19 ³ / ₄ (49.6-50.2)	20-20 ¹ / ₄ (50.8-51.5)
Continuous-Loop Lift • Looped Roman	30 (76.2)	10 ³ / ₄ -11 (27.4-28.0)	10 ³ / ₄ -11 ¹ / ₄ (27.4-28.6)	15 ¹ / ₂ -16 ¹ / ₄ (39.4-41.3)	15 ¹ / ₂ -16 ¹ / ₄ (39.4-41.3)
	50 (127.0)	11 ¹ / ₄ -12 ¹ / ₄ (28.6-31.2)	11 ¹ / ₂ -13 ¹ / ₄ (29.3-33.7)	16 ¹ / ₂ -17 (42.0-43.2)	16 ¹ / ₂ -17 ¹ / ₂ (42.0-44.5)
	70 (177.8)	12 ¹ / ₂ -13 ³ / ₄ (31.8-35.0)	13 ¹ / ₂ -14 ¹ / ₄ (34.3-36.2)	17 ¹ / ₄ -18 (43.9-45.8)	17 ³ / ₄ -18 ³ / ₄ (45.1-47.7)
	90 (228.6)	14-14 ¹ / ₂ (35.6-36.9)	14 ¹ / ₂ -15 ¹ / ₄ (36.9-38.8)	18 ¹ / ₄ -19 (46.4-48.3)	19-20 (48.3-50.8)
	110 (279.4)	14 ³ / ₄ -15 ¹ / ₄ (37.5-38.8)	15 ¹ / ₂ -16 ¹ / ₄ (39.4-41.3)	19 ¹ / ₄ -20 (48.9-50.8)	20 ¹ / ₄ -21 (51.5-53.4)
	120 (304.8)	15 ¹ / ₂ -15 ³ / ₄ (39.4-40.1)	16 ¹ / ₂ -16 ³ / ₄ (42.0-42.6)	20 ¹ / ₄ -20 ¹ / ₂ (51.5-52.1)	21 ¹ / ₄ -21 ¹ / ₂ (54.0-54.7)
Cord Lift • Bottom Up/Top Down Roman	30 (76.2)	10 ³ / ₄ -11 (27.4-28.0)	10 ³ / ₄ -11 (27.4-28.0)	15 ¹ / ₂ -15 ³ / ₄ (39.4-40.1)	15 ¹ / ₂ -15 ³ / ₄ (39.4-40.1)
	50 (127.0)	11 ¹ / ₄ -11 ¹ / ₂ (28.6-29.3)	11 ¹ / ₄ -11 ¹ / ₂ (28.6-29.3)	16-16 ¹ / ₄ (40.7-41.3)	16-16 ¹ / ₄ (40.7-41.3)
	70 (177.8)	11 ³ / ₄ -12 (29.9-30.5)	11 ³ / ₄ -12 (29.9-30.5)	16 ¹ / ₂ -16 ³ / ₄ (42.0-42.6)	16 ¹ / ₂ -16 ³ / ₄ (42.0-42.6)
	90 (228.6)	12 ¹ / ₄ -12 ¹ / ₂ (31.2-31.8)	12 ¹ / ₄ -12 ¹ / ₂ (31.2-31.8)	17-17 ¹ / ₄ (43.2-43.9)	17-17 ¹ / ₄ (43.2-43.9)
	110 (279.4)	12 ³ / ₄ -13 (32.4-33.1)	12 ³ / ₄ -13 (32.4-33.1)	17 ¹ / ₂ -17 ³ / ₄ (44.5-45.1)	17 ¹ / ₂ -17 ³ / ₄ (44.5-45.1)
	120 (304.8)	13 ¹ / ₄ -13 ¹ / ₂ (33.7-34.3)	13 ¹ / ₄ -13 ¹ / ₂ (33.7-34.3)	17 ³ / ₄ -18 (45.1-45.8)	17 ³ / ₄ -18 (45.1-45.8)
Cordless Lift • Standard Roman	30 (76.2)	8 ³ / ₄ -9 ³ / ₄ (22.3-24.8)	8 ³ / ₄ -10 (22.3-25.4)	N/A	N/A
	50 (127.0)	10 ¹ / ₄ -10 ¹ / ₂ (26.1-26.7)	10 ¹ / ₄ -10 ¹ / ₂ (26.1-26.7)		
	70 (177.8)	10 ³ / ₄ -11 (27.4-28.0)	10 ³ / ₄ -11 ¹ / ₄ (27.4-28.6)		
	90 (228.6)	11 ¹ / ₄ -11 ¹ / ₂ (28.6-29.3)	11 ¹ / ₂ -11 ³ / ₄ (29.3-29.9)		
	110 (279.4)	11 ³ / ₄ -12 (29.9-30.5)	12-12 ¹ / ₄ (30.5-31.2)		
	120 (304.8)	12-12 ¹ / ₂ (30.5-31.8)	12 ¹ / ₄ -12 ¹ / ₂ (31.2-31.8)		

General Information

Stack Charts: Natural Drapes

NOTE: For drapes, stack width is measured from the outside of the drapes to the inside of the drapes. Stack widths are approximate and will vary by material.

Natural Drapes 10% Standard Fullness Stack Chart

Width of Shade up to inches (cm)	Cord Control				Wand Control			
	Single Stack		Split Stack, Each Side		Single Stack		Split Stack, Each Side	
	Minimum Range Thinner Fabrics inches (cm)	Minimum Range Thicker Fabrics inches (cm)	Minimum Range Thinner Fabrics inches (cm)	Minimum Range Thicker Fabrics inches (cm)	Minimum Range Thinner Fabrics inches (cm)	Minimum Range Thicker Fabrics inches (cm)	Minimum Range Thinner Fabrics inches (cm)	Minimum Range Thicker Fabrics inches (cm)
27 (68.6)	5-7 (12.7-17.8)	7-9 (17.8-22.9)	3-4 (7.7-10.2)	5-6 (12.7-15.3)	6½-9 (16.6-22.9)	9-12 (22.9-30.5)	5½-7½ (14.0-19.1)	7½-9½ (19.1-24.2)
40 (101.6)	7-9 (17.8-22.9)	9-13 (22.9-33.1)	4-5 (10.2-12.7)	6-7 (15.3-17.8)	9-11 (22.9-28.0)	12-15 (30.5-38.1)	7½-9 (19.1-22.9)	9½-11½ (24.2-29.3)
51 (129.6)	9-11 (22.9-28.0)	13-16 (33.1-40.7)	5-6 (12.7-15.3)	7-8 (17.8-20.4)	11-14 (28.0-35.6)	15-18 (38.1-45.8)	9-10½ (22.9-26.7)	11½-13½ (29.3-34.3)
63 (160.1)	11-13 (28.0-33.1)	16-19 (40.7-48.3)	6-7 (15.3-17.8)	8-9 (20.4-22.9)	14-16 (35.6-40.7)	18-21 (45.8-53.4)	10½-12 (26.7-30.5)	13½-15 (34.3-38.1)
75 (190.5)	13-15 (33.1-38.1)	19-22 (48.3-55.9)	7-8 (17.8-20.4)	9-10 (22.9-25.4)	16-18 (40.7-45.8)	21-24 (53.4-61.0)	12-13½ (30.5-34.3)	15-16½ (38.1-42.0)
88 (223.6)	15-17 (38.1-43.2)	22-25 (55.9-63.5)	8-9 (20.4-22.9)	10-12 (25.4-30.5)	18-20 (45.8-50.8)	24-27 (61.0-68.6)	13½-14½ (34.3-36.9)	16½-18 (42.0-45.8)
102 (259.1)	17-19 (43.2-48.3)	25-28 (63.5-71.2)	9-10 (22.9-25.4)	12-14 (30.5-35.6)	20-22 (50.8-55.9)	27-30 (68.6-76.2)	14½-15 (36.9-38.1)	18-19½ (45.8-49.6)
115 (292.1)	19-21 (48.3-53.4)	28-31 (71.2-78.8)	10-11 (25.4-28.0)	14-16 (35.6-40.7)	22-24 (55.9-61.0)	30-33 (76.2-83.9)	15½-16½ (39.4-42.0)	19½-21 (49.6-53.4)
128 (325.2)	21-23 (53.4-58.5)	31-34 (78.8-86.4)	11-12 (28.0-30.5)	16-18 (40.7-45.8)	24-26 (61.0-66.1)	33-36 (83.9-91.5)	16½-18 (42.0-45.8)	21-22½ (53.4-57.2)
141 (358.2)	23-25 (58.5-63.5)	34-37 (86.4-94.0)	12-13 (30.5-33.1)	18-20 (45.8-50.8)	26-28 (66.1-71.2)	36-39 (91.5-99.1)	18-19 (45.8-48.3)	22½-24 (57.2-61.0)
157 (398.8)	25-27 (63.5-68.6)	37-40 (94.0-101.6)	13-14 (33.1-35.6)	20-22 (50.8-55.9)	28-30 (71.2-76.2)	39-43 (99.1-109.3)	19-21 (48.3-53.4)	24-25 (61.0-63.5)
170 (431.8)	27-29 (68.6-73.7)	40-43 (101.6-109.3)	14-15 (35.6-38.1)	22-24 (55.9-61.0)	30-32 (76.2-81.3)	43-46 (109.3-116.9)	21-22 (53.4-55.9)	25-26 (63.5-66.1)
183 (464.9)	29-31 (73.7-78.8)	43-46 (109.3-116.9)	15-16 (38.1-40.7)	24-26 (61.0-66.1)	32-35 (81.3-88.9)	46-49 (116.9-124.5)	22-23 (55.9-58.5)	26-27 (66.1-68.6)
192 (487.7)	31-33 (78.8-83.9)	46-49 (116.9-124.5)	16-17 (40.7-43.2)	26-28 (66.01-71.2)	35-37 (88.9-94.0)	49-53 (124.5-134.7)	23-24 (58.5-61.0)	27-28 (68.6-71.2)

Natural Drapes 60% Fullness Stack Chart

Width of Shade up to inches (cm)	Cord Control				Wand Control			
	Single Stack		Split Stack, Each Side		Single Stack		Split Stack, Each Side	
	Minimum Range Thinner Fabrics inches (cm)	Minimum Range Thicker Fabrics inches (cm)	Minimum Range Thinner Fabrics inches (cm)	Minimum Range Thicker Fabrics inches (cm)	Minimum Range Thinner Fabrics inches (cm)	Minimum Range Thicker Fabrics inches (cm)	Minimum Range Thinner Fabrics inches (cm)	Minimum Range Thicker Fabrics inches (cm)
27 (68.6)	6-8½ (15.3-21.6)	8½-14 (21.6-35.6)	3½-6 (8.9-15.3)	6-9 (15.3-22.9)	8-12 (20.4-30.5)	11-16 (28.0-40.7)	7-9 (17.8-22.9)	9-12 (22.9-30.5)
40 (101.6)	8½-13 (21.6-33.1)	14-18 (35.6-45.8)	6-8 (15.3-20.4)	9-12 (22.9-30.5)	12-15 (30.5-38.1)	16-21 (40.7-53.4)	9-11 (22.9-28.0)	12-14 (30.5-35.6)
51 (129.6)	13-15½ (33.1-39.4)	18-22 (45.8-55.9)	8-10 (20.4-25.4)	12-14 (30.5-35.6)	15-18 (38.1-45.8)	21-25 (53.4-63.5)	11-13 (28.0-33.1)	14-16 (35.6-40.7)
63 (160.1)	15½-18 (39.4-45.8)	22-27 (55.9-68.6)	10-12 (25.4-30.5)	14-17 (35.6-43.2)	18-21 (45.8-53.4)	25-30 (63.5-76.2)	13-15 (33.1-38.1)	16-18 (40.7-45.8)
75 (190.5)	18-22 (45.8-55.9)	27-31 (68.6-78.8)	12-14 (30.5-35.6)	17-19 (43.2-48.3)	21-24 (53.4-61.0)	30-35 (76.2-88.9)	15-17 (38.1-43.2)	18-20 (45.8-50.8)
88 (223.6)	22-25 (55.9-63.5)	31-37 (78.8-94.0)	14-16 (35.6-40.7)	19-22 (48.3-55.9)	24-27 (61.0-68.6)	35-40 (88.9-101.6)	17-19 (43.2-48.3)	20-22 (50.8-55.9)
102 (259.1)	25-29 (63.5-73.7)	37-41 (94.0-104.2)	16-18 (40.7-45.8)	22-25 (55.9-63.5)	27-30 (68.6-76.2)	40-44 (101.6-111.8)	19-21 (48.3-53.4)	22-25 (55.9-63.5)
115 (292.1)	29-32 (73.7-81.3)	41-46 (104.2-116.9)	18-20 (45.8-50.8)	25-28 (63.5-71.2)	30-34 (76.2-86.4)	44-49 (111.8-124.5)	21-23 (53.4-58.5)	25-28 (63.5-71.2)
128 (325.2)	32-35 (81.3-88.9)	46-51 (116.9-129.6)	20-22 (50.8-55.9)	28-31 (71.2-78.8)	34-38 (86.4-96.6)	49-54 (124.5-137.2)	23-25 (58.5-63.5)	28-30 (71.2-76.2)
141 (358.2)	35-38 (88.9-96.6)	51-56 (129.6-142.3)	22-24 (55.9-61.0)	31-33 (78.8-83.9)	38-42 (96.6-106.7)	54-60 (137.2-152.4)	25-27 (63.5-68.6)	30-32 (76.2-81.3)
157 (398.8)	38-42 (96.6-106.7)	56-62 (142.3-157.5)	24-26 (61.0-66.1)	33-35 (83.9-88.9)	42-46 (106.7-116.9)	60-66 (152.4-167.7)	27-29 (68.6-73.7)	32-36 (81.3-91.5)
170 (431.8)	42-46 (106.7-116.9)	62-67 (157.5-170.2)	26-28 (66.1-71.2)	35-38 (88.9-96.6)	46-49 (116.9-124.5)	66-71 (167.7-180.4)	29-31 (73.7-78.8)	36-38 (91.5-96.6)
183 (464.9)	46-49 (116.9-124.5)	67-72 (170.2-182.9)	28-30 (71.2-76.2)	38-40 (96.6-101.6)	49-52 (124.5-132.1)	71-75 (180.4-190.5)	31-33 (78.8-83.9)	38-40 (96.6-101.6)
192 (487.7)	49-51 (124.5-129.6)	72-76 (182.9-193.1)	30-32 (76.2-81.3)	40-42 (101.6-106.7)	52-55 (132.1-139.7)	75-80 (190.5-203.2)	33-36 (83.9-91.5)	40-43 (101.6-109.3)

General Information

Natural Shades Product Detail

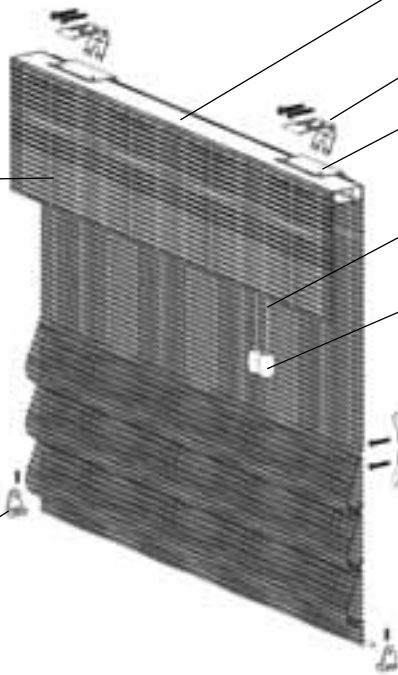
Standard Roman

Valance

- 6" (15.3 cm) valance is standard on standard and looped Roman
- No valance on old style Roman

Hold Down Brackets (optional)

- Secure bottomrail to door, wall, or window sill; must be specified at time of order



Hardwood Headrail

- Made from sustainable hardwood resources

Standard Installation Brackets

- Steel

Mounting Plate

- Aluminum

Lift Cord

- Color coordinated 1.8 mm cord with filler for durability

Wood Tassel

- Color coordinated to the shade

Safety Cord Cleat

- Prevents cord from twisting and enhances safety in homes with children and pets
- Standard clear cord cleat (included)
- Decorative cord cleat (solid brass or antique brass)



2" (5.1 cm)
Short Return



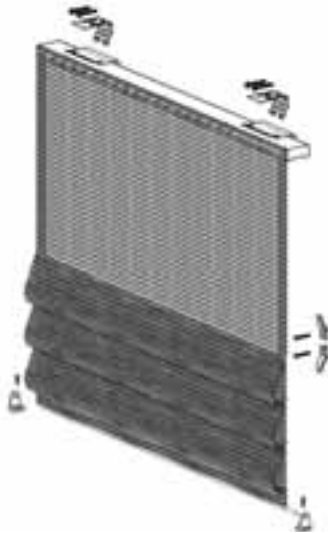
Standard 6" (15.3 cm)
Return

Standard Roman Turned Headrail



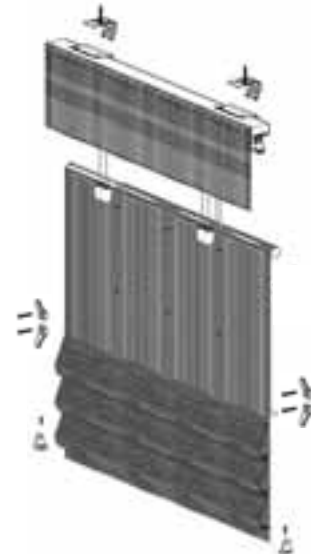
(Direct mount shade; no returns available)

Old Style Roman



Cord lift (lift cords are behind the shade; outside mount shown).
4" (10.2 cm) seclusion strip is used on inside mount.

Bottom Up/Top Down



4" (10.2 cm) seclusion strip is used on inside mount.

Cord Winder



Decorative Cord Cleats

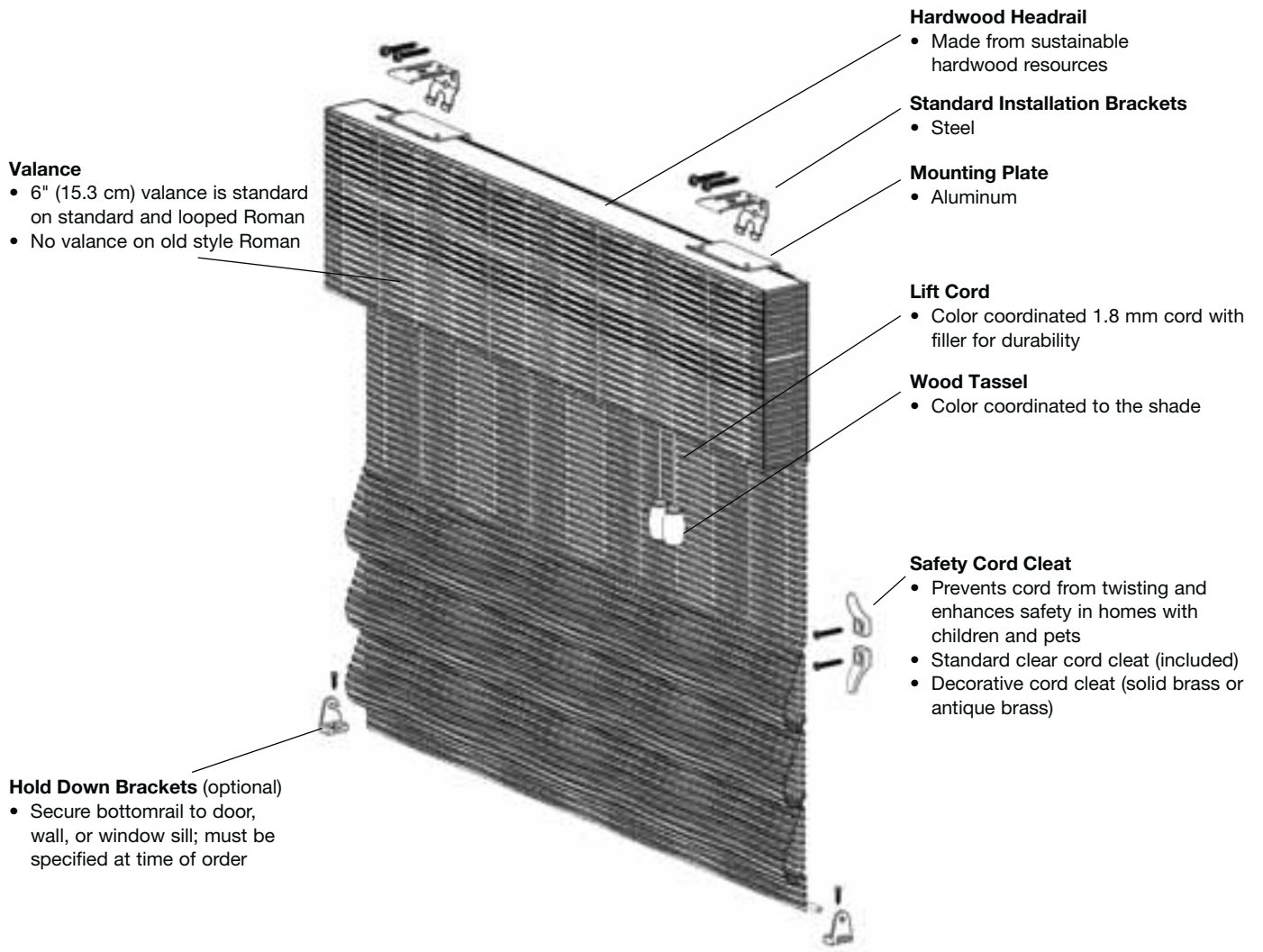


Solid Brass

Antique Brass

General Information

Natural Shades Looped Roman Product Detail



<p>Cord Winder</p> 	<p>Decorative Cord Cleats</p>  <p>Solid Brass Antique Brass</p>
---	--

General Information

Natural Shades Cordless Lift Product Detail

Durable Headrail with Natural Material Valance

- Classic 1½" (3.9 cm) high x 2⅝" (5.4 cm) deep

Mounting Brackets

- Designed for easy and trouble-free installation

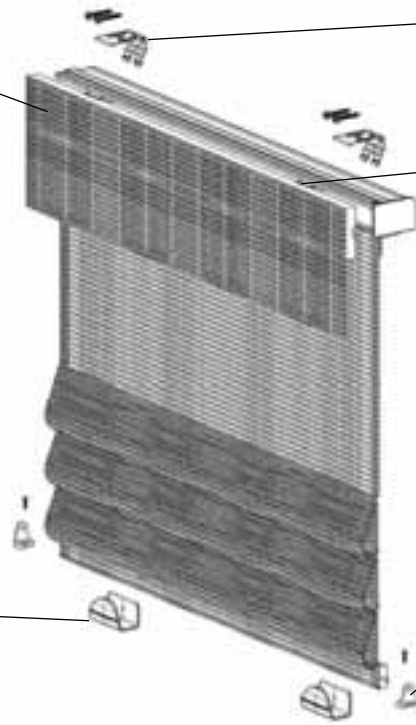
Premiere Valance Clips

Clear Hand Grips

- Guide to raise and lower blinds

Hold Down Brackets (optional)

- Secures blind to door, wall, or window sill



Natural Shades Continuous-Loop Lift Product Detail

Valance

- 9" (22.9 cm) valance is standard on standard Roman, old style Roman, and looped Roman

Hardwood Headrail

- Made from shade height
- If more than 30 square feet (2.8 square meters), metal bead chain is required; optional for shades under that size

Mounting Brackets

- Designed for easy and trouble-free installation

Mounting Plate

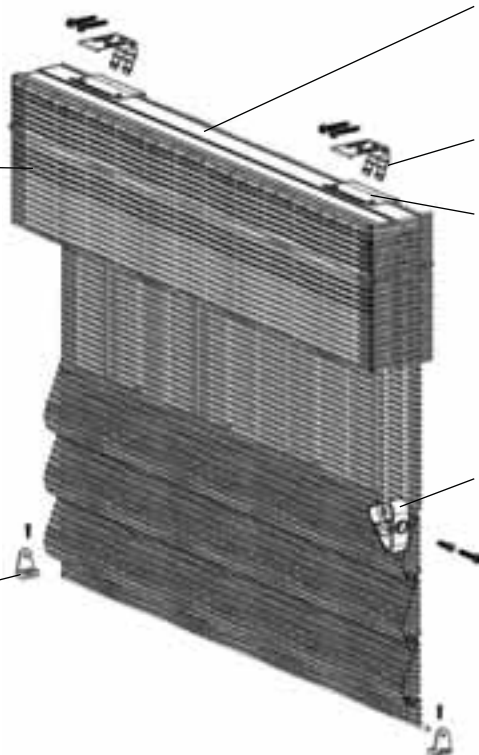
- Aluminum

Safety Cord Guide

- Prevents cord from twisting and enhances safety in homes with children and pets

Hold Down Brackets (optional)

- Secure bottomrail to door, wall, or window sill; must be specified at time of order



Safety Cord Guide

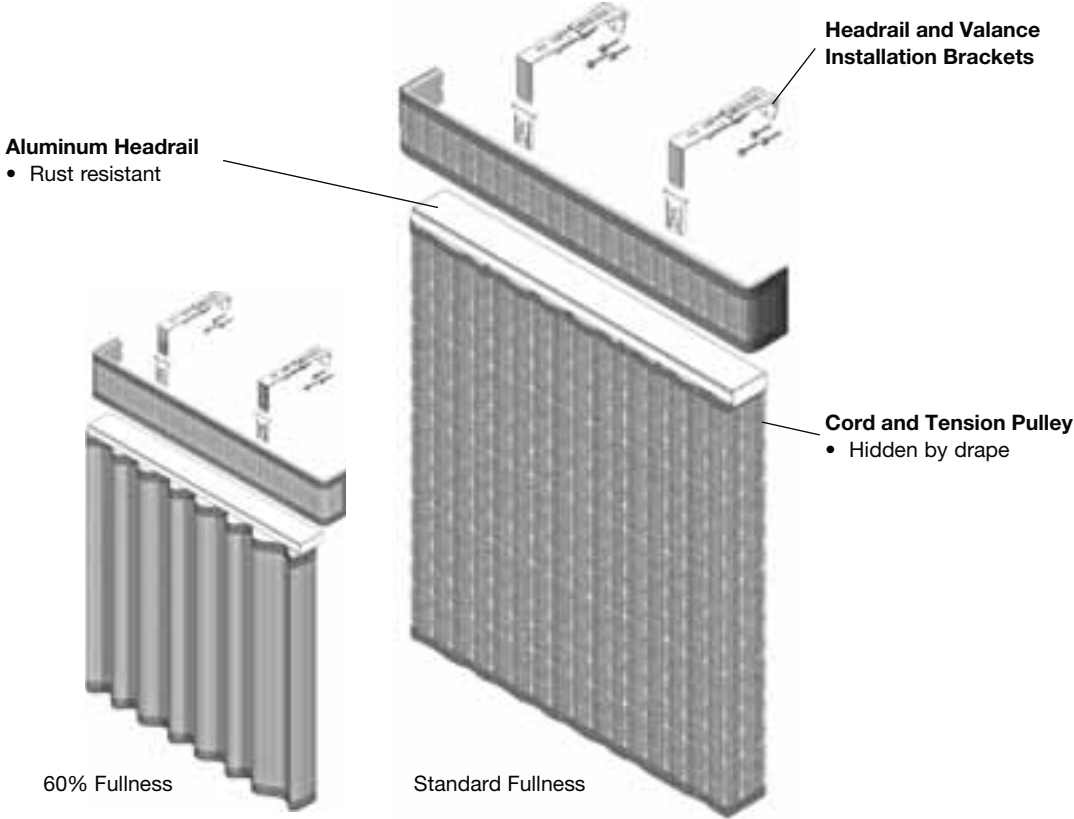


Safety Chain Guide

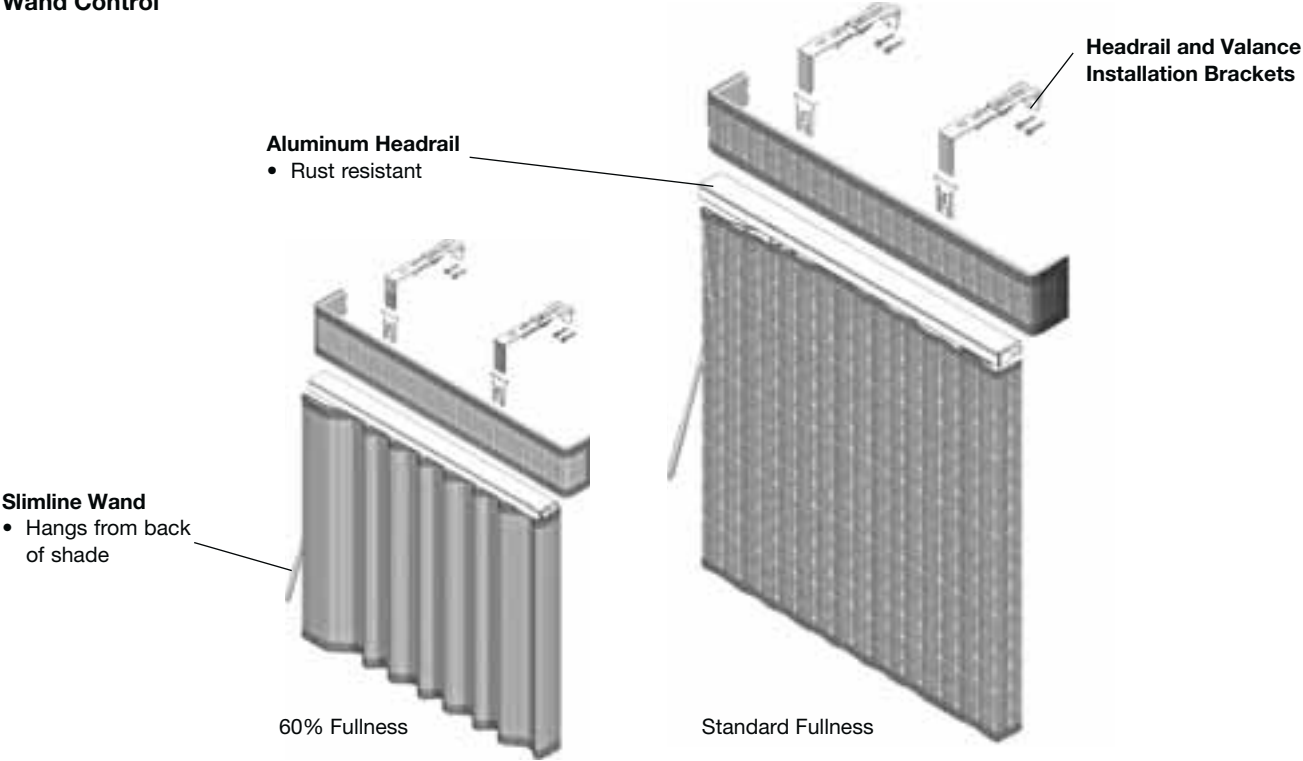
General Information

Natural Drapes Product Detail

Cord Control



Wand Control



NOTE: Natural materials are vertically oriented on the natural drapes and valance.

Price Charts

Price Group A: Lipo, Revelry

Standard Roman and Old Style Roman

Height up to inches (cm) ↓	Width up to inches (cm) →												
	22 (55.9)	26 (66.1)	30 (76.2)	36 (91.5)	42 (106.7)	48 (122.0)	60 (152.4)	72 (182.9)	84 (213.4)	96 (243.9)	108 (274.4)	120 (304.8)	144 (365.8)
34 (86.4)	\$155	168	184	212	223	237	289	336	409	482	515	546	615
42 (106.7)	167	187	203	230	247	264	321	373	453	532	569	608	681
48 (122.0)	179	196	218	247	265	285	346	404	489	571	615	658	745
54 (137.2)	189	210	230	264	285	308	370	436	527	613	663	711	809
60 (152.4)	203	221	246	282	304	328	396	468	560	653	706	758	862
66 (167.7)	212	235	260	298	324	351	424	500	598	695	752	809	926
72 (182.9)	223	248	275	314	343	370	451	532	631	732	797	857	984
84 (213.4)	247	273	301	349	380	416	502	592	704	819	890	962	1105
96 (243.9)	269	298	332	384	421	457	558	653	774	899	979	1060	1223
108 (274.4)	295	327	366	406	457	508	601	719	842	984	1069	1159	1336
120 (304.8)	319	356	398	442	494	561	655	786	911	1068	1162	1260	1450

Add Surcharge to Shade Price

	\$121						149				177		
Cordless Lift													
Privacy Liner	57	69	84	94	103	116	138	173	196	215	242	272	324
Room-Darkening Liner	79	91	110	125	135	154	181	231	259	287	323	359	431
Valance Liner	14	16	22	23	26	29	34	41	45	49	57	64	76
Premiere Valance	38	41	46	48	52	58	73	80	89	102	113	130	151
Deco-Trim Valance or Deco-Trim Hem	78	80	85	87	89	92	96	100	108	112	118	121	129
Deco-Trim Pocket Hem, with Accent Rod	179	187	195	200	205	221	229	237	276	286	313	320	337
Deco-Trim Pocket Hem No Accent Rod	151	157	161	165	171	175	182	193	207	215	226	231	248

Dotted line cordless lift Lipo. Solid line cordless lift Revelry. Multiple cordless lift shades available up to 144" (365.8 cm). Liners available on all specialties except deco-trim valances. Cordless shades with liners have smaller size limits. Please contact customer service for the most up to date size considerations.

Due to material width sizes, shades to the right of the solid line must be manufactured as multiple shades on one headrail.

Looped Roman

Height up to inches (cm) ↓	Width up to inches (cm) →												
	22 (55.9)	26 (66.1)	30 (76.2)	36 (91.5)	42 (106.7)	48 (122.0)	60 (152.4)	72 (182.9)	84 (213.4)	96 (243.9)	108 (274.4)	120 (304.8)	144 (365.8)
34 (86.4)	\$202	218	239	276	290	308	376	437	532	627	670	710	800
42 (106.7)	217	243	264	299	321	343	417	485	589	692	740	790	885
48 (122.0)	233	255	283	321	345	371	450	525	636	742	800	855	969
54 (137.2)	246	273	299	343	371	400	481	567	685	797	862	924	1052
60 (152.4)	264	287	320	367	395	426	515	608	728	849	918	985	1121
66 (167.7)	276	306	338	387	421	456	551	650	777	904	978	1052	1204
72 (182.9)	290	322	358	408	446	481	586	692	820	952	1036	1114	1279
84 (213.4)	321	355	391	454	494	541	653	770	915	1065	1157	1251	1437
96 (243.9)	350	387	432	499	547	594	725	849	1006	1169	1273	1378	1590
108 (274.4)	384	425	476	528	594	660	781	935	1095	1279	1390	1507	1737
120 (304.8)	415	463	517	575	642	729	852	1022	1184	1388	1511	1638	1885

Add Surcharge to Shade Price

Privacy Liner	\$68	77	91	101	109	124	145	179	202	221	250	278	331
Room-Darkening Liner	90	103	120	134	145	165	192	240	271	298	331	369	442
Valance Liner	14	16	22	23	26	29	34	41	45	49	57	64	76
Premiere Valance	38	41	46	48	52	58	73	80	89	102	113	130	151
Deco-Trim Valance or Deco-Trim Hem	78	80	85	87	89	92	96	100	108	112	118	121	129
Deco-Trim Pocket Hem, with Accent Rod	179	187	195	200	205	221	229	237	276	286	313	320	337
Deco-Trim Pocket Hem No Accent Rod	151	157	161	165	171	175	182	193	207	215	226	231	248

Due to material width sizes, shades to the right of the solid line must be manufactured as multiple shades on one headrail. Liners are 100% polyester. Liners available on all specialties except deco-trim valances. Due to weight limitations, shades with deco-pocket hems in the shaded area must be manufactured as multiple shades on one headrail at no charge.

Colors

Lipo	Revelry
Ambrosia 06702	Birdnest 80045
Earthtones 06793	Dove 80745
Java 06703	Dusk 80743
Tahoe 60705	

Price Charts

Price Group B: Chencun, Escape, Majian, Serenity, Toushan II

Standard Roman and Old Style Roman

Height up to inches (cm) ↓	Width up to inches (cm) →												
	22 (55.9)	26 (66.1)	30 (76.2)	36 (91.5)	42 (106.7)	48 (122.0)	60 (152.4)	72 (182.9)	84 (213.4)	96 (243.9)	108 (274.4)	120 (304.8)	144 (365.8)
34 (86.4)	\$176	202	208	237	247	270	335	383	463	539	570	610	736
42 (106.7)	190	211	224	260	283	312	359	420	504	601	647	690	822
48 (122.0)	208	230	251	286	316	344	396	446	542	648	713	761	905
54 (137.2)	214	237	268	302	334	366	424	481	594	689	737	813	961
60 (152.4)	228	252	283	322	359	396	456	519	626	732	782	860	1017
66 (167.7)	238	268	298	344	376	415	489	558	677	775	830	913	1078
72 (182.9)	252	278	316	363	400	446	519	596	698	816	879	967	1136
84 (213.4)	276	302	345	400	450	494	583	672	778	911	999	1067	1245
96 (243.9)	302	333	375	439	490	544	645	743	858	999	1095	1175	1379
108 (274.4)	325	380	404	466	528	589	700	810	1069	1090	1188	1286	1520
120 (304.8)	351	411	434	495	566	641	756	873	1080	1181	1283	1388	1659

Add Surcharge to Shade Price

	\$121					149				177				
Cordless Lift														
Privacy Liner	57	69	84	94	103	116	138	173	196	215	242	272	324	
Room-Darkening Liner	79	91	110	125	135	154	181	231	259	287	323	359	431	
Valance Liner	14	16	22	23	26	29	34	41	45	49	57	64	76	
Premiere Valance	38	41	46	48	52	58	73	80	89	102	113	130	151	
Deco-Trim Valance or Deco-Trim Hem	78	80	85	87	89	92	96	100	108	112	118	121	129	
Deco-Trim Pocket Hem, with Accent Rod	179	187	195	200	205	221	229	237	276	286	313	320	337	
Deco-Trim Pocket Hem No Accent Rod	151	157	161	165	171	175	182	193	207	215	226	231	248	

Dotted line cordless lift Serenity and Toushan II. Solid line cordless lift Chencun, Escape, and Majian. Multiple cordless lift shades available up to 144" (365.8 cm). Liners available on all specialties except deco-trim valances. Cordless shades with liners have smaller size limits. Please contact customer service for the most up to date size considerations.

Due to material width sizes, shades to the right of the solid line must be manufactured as multiple shades on one headrail.

Looped Roman

Height up to inches (cm) ↓	Width up to inches (cm) →												
	22 (55.9)	26 (66.1)	30 (76.2)	36 (91.5)	42 (106.7)	48 (122.0)	60 (152.4)	72 (182.9)	84 (213.4)	96 (243.9)	108 (274.4)	120 (304.8)	144 (365.8)
34 (86.4)	\$229	263	270	308	321	351	436	498	602	701	741	793	957
42 (106.7)	247	274	291	338	368	406	467	546	655	781	841	897	1069
48 (122.0)	270	299	326	372	411	447	515	580	705	842	927	989	1177
54 (137.2)	278	308	348	393	434	476	551	625	772	896	958	1057	1249
60 (152.4)	296	328	368	419	467	515	593	675	814	952	1017	1118	1322
66 (167.7)	309	348	387	447	489	540	636	725	880	1008	1079	1187	1401
72 (182.9)	328	361	411	472	520	580	675	775	907	1061	1143	1257	1477
84 (213.4)	359	393	449	520	585	642	758	874	1011	1184	1299	1387	1619
96 (243.9)	393	433	488	571	637	707	839	966	1115	1299	1424	1528	1793
108 (274.4)	423	494	525	606	686	766	910	1053	1390	1417	1544	1672	1976
120 (304.8)	456	534	564	644	736	833	983	1135	1404	1535	1668	1804	2157

Add Surcharge to Shade Price

	\$121					149				177			
Privacy Liner	\$68	77	91	101	109	124	145	179	202	221	250	278	331
Room-Darkening Liner	90	103	120	134	145	165	192	240	271	298	331	369	442
Valance Liner	14	16	22	23	26	29	34	41	45	49	57	64	76
Premiere Valance	38	41	46	48	52	58	73	80	89	102	113	130	151
Deco-Trim Valance or Deco-Trim Hem	78	80	85	87	89	92	96	100	108	112	118	121	129
Deco-Trim Pocket Hem, with Accent Rod	179	187	195	200	205	221	229	237	276	286	313	320	337
Deco-Trim Pocket Hem No Accent Rod	151	157	161	165	171	175	182	193	207	215	226	231	248

Due to material width sizes, shades to the right of the solid line must be manufactured as multiple shades on one headrail. Liners are 100% polyester. Liners available on all specialties except deco-trim valances. Due to weight limitations, shades with deco-pocket hems in the shaded area must be manufactured as multiple shades on one headrail at no charge.

Colors

Chencun		Escape		Serenity		Toushan II	
Appaloosa	00846	Forest	25601	Coastline	15702	Mocha	63759
White	60417	Island	25602	Dover White	15700	Taupe	63659
		Majian					
		Driftwood	32445	Haze	11502		
		Toffee	32296				

Price Charts

Price Group C: Inan, Moniz, Yunnan

Standard Roman and Old Style Roman

Height up to inches (cm) ↓	Width up to inches (cm) →												
	22 (55.9)	26 (66.1)	30 (76.2)	36 (91.5)	42 (106.7)	48 (122.0)	60 (152.4)	72 (182.9)	84 (213.4)	96 (243.9)	108 (274.4)	120 (304.8)	144 (365.8)
34 (86.4)	\$179	207	211	251	271	295	346	395	465	544	598	667	806
42 (106.7)	197	215	246	285	308	341	393	447	525	606	681	754	903
48 (122.0)	228	251	275	314	345	374	430	487	575	673	754	832	989
54 (137.2)	235	261	290	333	365	402	465	527	624	725	807	888	1052
60 (152.4)	249	277	308	353	393	430	499	565	673	773	857	941	1112
66 (167.7)	264	290	325	374	413	458	537	610	715	820	908	998	1179
72 (182.9)	277	306	345	396	439	487	565	652	763	868	963	1058	1243
84 (213.4)	303	333	378	437	490	542	641	733	853	967	1066	1168	1365
96 (243.9)	330	363	410	478	538	593	703	815	940	1061	1173	1283	1510
108 (274.4)	357	391	443	511	577	645	765	885	1077	1146	1273	1381	1663
120 (304.8)	386	418	474	543	621	699	827	955	1087	1232	1376	1478	1816

Add Surcharge to Shade Price

	\$121						149			177			
Cordless Lift													
Privacy Liner	57	69	84	94	103	116	138	173	196	215	242	272	324
Room-Darkening Liner	79	91	110	125	135	154	181	231	259	287	323	359	431
Valance Liner	14	16	22	23	26	29	34	41	45	49	57	64	76
Premiere Valance	38	41	46	48	52	58	73	80	89	102	113	130	151
Deco-Trim Valance or Deco-Trim Hem	78	80	85	87	89	92	96	100	108	112	118	121	129
Deco-Trim Pocket Hem, with Accent Rod	179	187	195	200	205	221	229	237	276	286	313	320	337
Deco-Trim Pocket Hem No Accent Rod	151	157	161	165	171	175	182	193	207	215	226	231	248

Dotted line cordless lift Inan and Yunnan. Solid line cordless lift Moniz. Multiple cordless lift shades available up to 144" (365.8 cm). Liners available on all specialties except deco-trim valances. Cordless shades with liners have smaller size limits. Please contact customer service for the most up to date size considerations.

Due to material width sizes, shades to the right of the solid line must be manufactured as multiple shades on one headrail.

Looped Roman

Height up to inches (cm) ↓	Width up to inches (cm) →												
	22 (55.9)	26 (66.1)	30 (76.2)	36 (91.5)	42 (106.7)	48 (122.0)	60 (152.4)	72 (182.9)	84 (213.4)	96 (243.9)	108 (274.4)	120 (304.8)	144 (365.8)
34 (86.4)	\$233	269	274	326	352	384	450	514	605	707	777	867	1048
42 (106.7)	256	280	320	371	400	443	511	581	683	788	885	980	1174
48 (122.0)	296	326	358	408	449	486	559	633	748	875	980	1082	1286
54 (137.2)	306	339	377	433	475	523	605	685	811	943	1049	1154	1368
60 (152.4)	324	360	400	459	511	559	649	735	875	1005	1114	1223	1446
66 (167.7)	343	377	423	486	537	595	698	793	930	1066	1180	1297	1533
72 (182.9)	360	398	449	515	571	633	735	848	992	1128	1252	1375	1616
84 (213.4)	394	433	491	568	637	705	833	953	1109	1257	1386	1518	1775
96 (243.9)	429	472	533	621	699	771	914	1060	1222	1379	1525	1668	1963
108 (274.4)	464	508	576	664	750	839	995	1151	1400	1490	1655	1795	2162
120 (304.8)	502	543	616	706	807	909	1075	1242	1413	1602	1789	1921	2361

Add Surcharge to Shade Price

Privacy Liner	\$68	77	91	101	109	124	145	179	202	221	250	278	331
Room-Darkening Liner	90	103	120	134	145	165	192	240	271	298	331	369	442
Valance Liner	14	16	22	23	26	29	34	41	45	49	57	64	76
Premiere Valance	38	41	46	48	52	58	73	80	89	102	113	130	151
Deco-Trim Valance or Deco-Trim Hem	78	80	85	87	89	92	96	100	108	112	118	121	129
Deco-Trim Pocket Hem, with Accent Rod	179	187	195	200	205	221	229	237	276	286	313	320	337
Deco-Trim Pocket Hem No Accent Rod	151	157	161	165	171	175	182	193	207	215	226	231	248

Due to material width sizes, shades to the right of the solid line must be manufactured as multiple shades on one headrail. Liners are 100% polyester. Liners available on all specialties except deco-trim valances. Due to weight limitations, shades with deco-pocket hems in the shaded area must be manufactured as multiple shades on one headrail at no charge.

Colors

Inan	Moniz	Yunnan
Umber 04858	Austria 05083	Arctic Seal 19585
	Belgium 05084	Rocky Shore 19587
	Finland 05080	Sky 19586
	Peru 05081	

Price Charts

Price Group D: Amour, Boardwalk, Majuro

Standard Roman and Old Style Roman

Height up to inches (cm) ↓	Width up to inches (cm) →												
	22 (55.9)	26 (66.1)	30 (76.2)	36 (91.5)	42 (106.7)	48 (122.0)	60 (152.4)	72 (182.9)	84 (213.4)	96 (243.9)	108 (274.4)	120 (304.8)	144 (365.8)
34 (86.4)	\$217	238	258	297	317	332	406	473	576	678	725	769	865
42 (106.7)	235	263	284	324	345	372	452	526	637	747	801	853	958
48 (122.0)	249	276	305	345	373	402	485	568	689	804	866	927	1046
54 (137.2)	266	294	324	372	402	433	522	614	741	863	932	1002	1140
60 (152.4)	285	314	343	398	428	463	557	660	790	918	994	1068	1214
66 (167.7)	297	330	366	419	457	495	595	703	840	979	1061	1140	1305
72 (182.9)	317	346	388	441	482	522	634	747	890	1031	1120	1207	1386
84 (213.4)	345	385	424	489	535	588	707	832	990	1153	1252	1353	1554
96 (243.9)	379	419	466	537	591	643	784	918	1089	1268	1379	1493	1721
108 (274.4)	414	462	514	571	643	715	845	1014	1185	1386	1505	1632	1882
120 (304.8)	450	502	560	621	695	791	923	1108	1282	1503	1636	1772	2041

Add Surcharge to Shade Price

	\$121					149				177			
Cordless Lift													
Privacy Liner	57	69	84	94	103	116	138	173	196	215	242	272	324
Room-Darkening Liner	79	91	110	125	135	154	181	231	259	287	323	359	431
Valance Liner	14	16	22	23	26	29	34	41	45	49	57	64	76
Premiere Valance	38	41	46	48	52	58	73	80	89	102	113	130	151
Deco-Trim Valance or Deco-Trim Hem	78	80	85	87	89	92	96	100	108	112	118	121	129
Deco-Trim Pocket Hem, with Accent Rod	179	187	195	200	205	221	229	237	276	286	313	320	337
Deco-Trim Pocket Hem No Accent Rod	151	157	161	165	171	175	182	193	207	215	226	231	248

Solid line cordless lift. Multiple cordless lift shades available up to 144" (365.8 cm). Liners available on all specialties except deco-trim valances. Cordless shades with liners have smaller size limits. Please contact customer service for the most up to date size considerations.

Due to material width sizes, shades to the right of the solid line must be manufactured as multiple shades on one headrail.

Looped Roman

Height up to inches (cm) ↓	Width up to inches (cm) →												
	22 (55.9)	26 (66.1)	30 (76.2)	36 (91.5)	42 (106.7)	48 (122.0)	60 (152.4)	72 (182.9)	84 (213.4)	96 (243.9)	108 (274.4)	120 (304.8)	144 (365.8)
34 (86.4)	\$282	309	335	386	412	432	528	615	749	881	943	1000	1125
42 (106.7)	306	342	369	421	449	484	588	684	828	971	1041	1109	1245
48 (122.0)	324	359	397	449	485	523	631	738	896	1045	1126	1205	1360
54 (137.2)	346	382	421	484	523	563	679	798	963	1122	1212	1303	1482
60 (152.4)	371	408	446	517	556	602	724	858	1027	1193	1292	1388	1578
66 (167.7)	386	429	476	545	594	644	774	914	1092	1273	1379	1482	1697
72 (182.9)	412	450	504	573	627	679	824	971	1157	1340	1456	1569	1802
84 (213.4)	449	501	551	636	696	764	919	1082	1287	1499	1628	1759	2020
96 (243.9)	493	545	606	698	768	836	1019	1193	1416	1648	1793	1941	2237
108 (274.4)	538	601	668	742	836	930	1099	1318	1541	1802	1957	2122	2447
120 (304.8)	585	653	728	807	904	1028	1200	1440	1667	1954	2127	2304	2653

Add Surcharge to Shade Price

	\$121					149				177			
Privacy Liner	\$68	77	91	101	109	124	145	179	202	221	250	278	331
Room-Darkening Liner	90	103	120	134	145	165	192	240	271	298	331	369	442
Valance Liner	14	16	22	23	26	29	34	41	45	49	57	64	76
Premiere Valance	38	41	46	48	52	58	73	80	89	102	113	130	151
Deco-Trim Valance or Deco-Trim Hem	78	80	85	87	89	92	96	100	108	112	118	121	129
Deco-Trim Pocket Hem, with Accent Rod	179	187	195	200	205	221	229	237	276	286	313	320	337
Deco-Trim Pocket Hem No Accent Rod	151	157	161	165	171	175	182	193	207	215	226	231	248

Due to material width sizes, shades to the right of the solid line must be manufactured as multiple shades on one headrail. Liners are 100% polyester. Liners available on all specialties except deco-trim valances. Due to weight limitations, shades with deco-pocket hems in the shaded area must be manufactured as multiple shades on one headrail at no charge.

Colors

Amour	Boardwalk	Majuro*
Pearl 00116	Pier 15968	Cattail 45071
Radiant 00001		Daisy 45070
		Stonybrook 45073
		Trail 45072

*Edge banding is required at no charge.

Price Charts

Price Group E: Beachfront, Meilin, Saterra, Terrestrial, Zishan

Standard Roman and Old Style Roman

Height up to inches (cm) ↓	Width up to inches (cm) →													
	22 (55.9)	26 (66.1)	30 (76.2)	36 (91.5)	42 (106.7)	48 (122.0)	60 (152.4)	72 (182.9)	84 (213.4)	96 (243.9)	108 (274.4)	120 (304.8)	144 (365.8)	
34 (86.4)	\$256	280	305	348	372	395	478	555	678	801	853	906	1013	
42 (106.7)	277	307	335	381	411	438	533	618	751	882	944	1007	1132	
48 (122.0)	296	326	361	411	439	475	573	673	808	947	1019	1090	1232	
54 (137.2)	314	346	381	438	475	510	617	723	872	1013	1096	1177	1341	
60 (152.4)	334	369	407	467	507	545	654	776	927	1082	1170	1255	1432	
66 (167.7)	351	387	429	494	538	580	700	825	987	1153	1248	1342	1535	
72 (182.9)	372	411	454	518	568	617	747	879	1048	1214	1320	1423	1629	
84 (213.4)	410	451	499	574	633	688	833	980	1166	1355	1474	1591	1827	
96 (243.9)	447	494	551	634	695	756	921	1082	1284	1486	1621	1753	2019	
108 (274.4)	487	540	589	687	757	817	1012	1183	1404	1625	1771	1917	2206	
120 (304.8)	525	583	649	751	817	882	1097	1286	1523	1764	1922	2080	2392	

Add Surcharge to Shade Price

	\$121					149				177				
Cordless Lift														
Privacy Liner	57	69	84	94	103	116	138	173	196	215	242	272	324	
Room-Darkening Liner	79	91	110	125	135	154	181	231	259	287	323	359	431	
Valance Liner	14	16	22	23	26	29	34	41	45	49	57	64	76	
Premiere Valance	38	41	46	48	52	58	73	80	89	102	113	130	151	
Deco-Trim Valance or Deco-Trim Hem	78	80	85	87	89	92	96	100	108	112	118	121	129	
Deco-Trim Pocket Hem, with Accent Rod	179	187	195	200	205	221	229	237	276	286	313	320	337	
Deco-Trim Pocket Hem No Accent Rod	151	157	161	165	171	175	182	193	207	215	226	231	248	

Solid line cordless lift. Multiple cordless lift shades available up to 144" (365.8 cm). Liners available on all specialties except deco-trim valances. Cordless shades with liners have smaller size limits. Please contact customer service for the most up to date size considerations.

Due to material width sizes, shades to the right of the solid line must be manufactured as multiple shades on one headrail.

Looped Roman

Height up to inches (cm) ↓	Width up to inches (cm) →													
	22 (55.9)	26 (66.1)	30 (76.2)	36 (91.5)	42 (106.7)	48 (122.0)	60 (152.4)	72 (182.9)	84 (213.4)	96 (243.9)	108 (274.4)	120 (304.8)	144 (365.8)	
34 (86.4)	\$333	364	397	452	484	514	621	722	881	1041	1109	1178	1317	
42 (106.7)	360	399	436	495	534	569	693	803	976	1147	1227	1309	1472	
48 (122.0)	385	424	469	534	571	618	745	875	1050	1231	1325	1417	1602	
54 (137.2)	408	450	495	569	618	663	802	940	1134	1317	1425	1530	1743	
60 (152.4)	434	480	529	607	659	709	850	1009	1205	1407	1521	1632	1862	
66 (167.7)	456	503	558	642	699	754	910	1073	1283	1499	1622	1745	1996	
72 (182.9)	484	534	590	673	738	802	971	1143	1362	1578	1716	1850	2118	
84 (213.4)	533	586	649	746	823	894	1083	1274	1516	1762	1916	2068	2375	
96 (243.9)	581	642	716	824	904	983	1197	1407	1669	1932	2107	2279	2625	
108 (274.4)	633	702	766	893	984	1062	1316	1538	1825	2113	2302	2492	2868	
120 (304.8)	683	758	844	976	1062	1147	1426	1672	1980	2293	2499	2704	3110	

Add Surcharge to Shade Price

Privacy Liner	\$68	77	91	101	109	124	145	179	202	221	250	278	331
Room-Darkening Liner	90	103	120	134	145	165	192	240	271	298	331	369	442
Valance Liner	14	16	22	23	26	29	34	41	45	49	57	64	76
Premiere Valance	38	41	46	48	52	58	73	80	89	102	113	130	151
Deco-Trim Valance or Deco-Trim Hem	78	80	85	87	89	92	96	100	108	112	118	121	129
Deco-Trim Pocket Hem, with Accent Rod	179	187	195	200	205	221	229	237	276	286	313	320	337
Deco-Trim Pocket Hem No Accent Rod	151	157	161	165	171	175	182	193	207	215	226	231	248

Due to material width sizes, shades to the right of the solid line must be manufactured as multiple shades on one headrail. Liners are 100% polyester. Liners available on all specialties except deco-trim valances. Due to weight limitations, shades with deco-pocket hems in the shaded area must be manufactured as multiple shades on one headrail at no charge.

Colors

Beachfront	Meilin	Terrestrial	Zishan
Surf 60041	Chroma 51201	Alpaca 28001	Auburn 43689
Thatch 60042	Onyx 51227	Camel 28003	Feather 30735
Tidepool 60040	Saterra		Hula 30737
	Azure 03269		Hut 30736
	Terrain 03370		Stardust 43731
	Veridian 03371		Toast 43734

Price Charts

Price Group F: Azores, Madeira, Merino, Paralian

Standard Roman and Old Style Roman

Height up to inches (cm) ↓	Width up to inches (cm) →												
	22 (55.9)	26 (66.1)	30 (76.2)	36 (91.5)	42 (106.7)	48 (122.0)	60 (152.4)	72 (182.9)	84 (213.4)	96 (243.9)	108 (274.4)	120 (304.8)	144 (365.8)
34 (86.4)	\$284	319	344	395	420	446	540	626	763	901	962	1027	1151
42 (106.7)	317	348	377	429	464	494	601	695	849	995	1067	1136	1277
48 (122.0)	333	368	405	464	494	535	646	758	915	1069	1152	1232	1395
54 (137.2)	353	393	429	494	535	575	694	816	982	1144	1238	1330	1517
60 (152.4)	377	413	462	524	575	616	738	876	1047	1222	1320	1420	1617
66 (167.7)	397	439	485	559	608	653	792	930	1115	1302	1408	1511	1724
72 (182.9)	417	465	511	587	639	694	844	995	1185	1371	1489	1606	1837
84 (213.4)	464	510	564	649	714	777	943	1109	1315	1531	1663	1797	2063
96 (243.9)	507	559	623	717	785	851	1040	1222	1452	1680	1832	1981	2279
108 (274.4)	554	608	673	769	850	927	1129	1341	1589	1835	2003	2165	2492
120 (304.8)	604	653	721	819	919	1000	1222	1462	1723	1994	2174	2350	2708

Add Surcharge to Shade Price

	\$121					149				177			
Cordless Lift													
Privacy Liner	57	69	84	94	103	116	138	173	196	215	242	272	324
Room-Darkening Liner	79	91	110	125	135	154	181	231	259	287	323	359	431
Valance Liner	14	16	22	23	26	29	34	41	45	49	57	64	76
Premiere Valance	38	41	46	48	52	58	73	80	89	102	113	130	151
Deco-Trim Valance or Deco-Trim Hem	78	80	85	87	89	92	96	100	108	112	118	121	129
Deco-Trim Pocket Hem, with Accent Rod	179	187	195	200	205	221	229	237	276	286	313	320	337
Deco-Trim Pocket Hem No Accent Rod	151	157	161	165	171	175	182	193	207	215	226	231	248

Solid line cordless lift. Multiple cordless lift shades available up to 144" (365.8 cm). Liners available on all specialties except deco-trim valances. Cordless shades with liners have smaller size limits. Please contact customer service for the most up to date size considerations.

Due to material width sizes, shades to the right of the solid line must be manufactured as multiple shades on one headrail.

Looped Roman

Height up to inches (cm) ↓	Width up to inches (cm) →												
	22 (55.9)	26 (66.1)	30 (76.2)	36 (91.5)	42 (106.7)	48 (122.0)	60 (152.4)	72 (182.9)	84 (213.4)	96 (243.9)	108 (274.4)	120 (304.8)	144 (365.8)
34 (86.4)	\$369	415	447	514	546	580	702	814	992	1171	1251	1335	1496
42 (106.7)	412	452	490	558	603	642	781	904	1104	1294	1387	1477	1660
48 (122.0)	433	478	527	603	642	696	840	985	1190	1390	1498	1602	1814
54 (137.2)	459	511	558	642	696	748	902	1061	1277	1487	1609	1729	1972
60 (152.4)	490	537	601	681	748	801	959	1139	1361	1589	1716	1846	2102
66 (167.7)	516	571	631	727	790	849	1030	1209	1450	1693	1830	1964	2241
72 (182.9)	542	605	664	763	831	902	1097	1294	1541	1782	1936	2088	2388
84 (213.4)	603	663	733	844	928	1010	1226	1442	1710	1990	2162	2336	2682
96 (243.9)	659	727	810	932	1021	1106	1352	1589	1888	2184	2382	2575	2963
108 (274.4)	720	790	875	1000	1105	1205	1468	1743	2066	2386	2604	2815	3240
120 (304.8)	785	849	937	1065	1195	1300	1589	1901	2240	2592	2826	3055	3520

Add Surcharge to Shade Price

Privacy Liner	\$68	77	91	101	109	124	145	179	202	221	250	278	331
Room-Darkening Liner	90	103	120	134	145	165	192	240	271	298	331	369	442
Valance Liner	14	16	22	23	26	29	34	41	45	49	57	64	76
Premiere Valance	38	41	46	48	52	58	73	80	89	102	113	130	151
Deco-Trim Valance or Deco-Trim Hem	78	80	85	87	89	92	96	100	108	112	118	121	129
Deco-Trim Pocket Hem, with Accent Rod	179	187	195	200	205	221	229	237	276	286	313	320	337
Deco-Trim Pocket Hem No Accent Rod	151	157	161	165	171	175	182	193	207	215	226	231	248

Due to material width sizes, shades to the right of the solid line must be manufactured as multiple shades on one headrail. Liners are 100% polyester. Liners available on all specialties except deco-trim valances. Due to weight limitations, shades with deco-pocket hems in the shaded area must be manufactured as multiple shades on one headrail at no charge.

Colors

Azores	Madeira	Merino	Paralian*
Carob 35063	Brunette 65010	Belize 55508	Mink 25050
Snow 35060	Wolf 65011	Burgos 50503	Otter 25052
Suede 35061		Grenada 55507	Sand Dollar 25051
Sycamore 35062		Sevilla 55506	

*Edge banding is required at no charge.

Price Charts

Price Group G: Lipo, Revelry

Standard Drapery Fullness

Height up to inches (cm) ↓	Width up to inches (cm) →													
	48 (122.0)	60 (152.4)	72 (182.9)	78 (198.2)	84 (213.4)	96 (243.9)	108 (274.4)	120 (304.8)	132 (335.3)	144 (365.8)	156 (396.3)	168 (426.8)	180 (457.2)	192 (487.7)
36 (91.5)	\$365	429	478	522	602	613	668	832	887	926	974	1028	1098	1108
48 (122.0)	401	477	537	586	678	689	760	929	998	1048	1096	1159	1246	1256
60 (152.4)	449	524	596	651	755	766	850	1030	1108	1168	1214	1290	1396	1406
72 (182.9)	472	575	651	718	828	842	942	1128	1222	1285	1335	1423	1543	1553
84 (213.4)	510	621	712	792	906	914	1030	1202	1333	1404	1458	1553	1692	1703
96 (243.9)	542	668	771	850	978	990	1091	1329	1444	1526	1580	1686	1842	1849
Privacy Liner	160	164	173	173	173	177	182	187	189	191	196	200	207	211
Room-Darkening Liner	207	211	224	224	224	229	234	238	244	253	255	262	267	274

NOTE: Price includes premiere valance. Must provide desired valance options.

60% Drapery Fullness

Height up to inches (cm) ↓	Width up to inches (cm) →													
	48 (122.0)	60 (152.4)	72 (182.9)	78 (198.2)	84 (213.4)	96 (243.9)	108 (274.4)	120 (304.8)	132 (335.3)	144 (365.8)	156 (396.3)	168 (426.8)	180 (457.2)	192 (487.7)
36 (91.5)	\$557	655	729	797	919	935	1019	1270	1354	1413	1486	1569	1676	1691
48 (122.0)	612	728	819	894	1035	1051	1160	1418	1523	1599	1672	1769	1901	1917
60 (152.4)	685	800	909	993	1152	1169	1297	1572	1691	1782	1853	1969	2130	2146
72 (182.9)	720	877	993	1096	1264	1285	1437	1721	1865	1961	2037	2171	2355	2370
84 (213.4)	778	948	1087	1209	1383	1395	1572	1834	2034	2143	2225	2370	2582	2599
96 (243.9)	827	1019	1177	1297	1492	1511	1665	2028	2204	2329	2411	2573	2811	2822
Privacy Liner	255	262	276	276	276	284	293	300	304	306	314	322	329	335
Room-Darkening Liner	329	335	360	360	360	367	373	380	396	404	409	417	428	438

NOTE: Price includes premiere valance. Must provide desired valance options.

Colors

Lipo

Ambrosia 06702
 Earthtones 06793
 Java 06703
 Tahoe 06705

Revelry

Birdnest 80045
 Dove 80745
 Dusk 80743

Price Charts

Price Group H: Chencun, Escape, Majian, Serenity, Toushan II

Standard Drapery Fullness

Height up to inches (cm) ↓	Width up to inches (cm) →													
	48 (122.0)	60 (152.4)	72 (182.9)	78 (198.2)	84 (213.4)	96 (243.9)	108 (274.4)	120 (304.8)	132 (335.3)	144 (365.8)	156 (396.3)	168 (426.8)	180 (457.2)	192 (487.7)
36 (91.5)	\$405	475	530	557	642	654	695	865	922	962	1012	1067	1141	1150
48 (122.0)	443	529	594	625	722	734	790	966	1038	1089	1139	1204	1294	1306
60 (152.4)	498	581	660	695	805	817	884	1070	1150	1214	1263	1341	1450	1462
72 (182.9)	523	635	722	766	884	897	946	1137	1270	1337	1388	1478	1602	1614
84 (213.4)	563	687	789	827	966	974	1037	1218	1385	1459	1516	1614	1757	1770
96 (243.9)	602	739	853	909	1045	1057	1141	1337	1501	1584	1642	1752	1914	1922
Privacy Liner	160	164	173	173	173	177	182	187	189	191	196	200	207	211
Room-Darkening Liner	207	211	224	224	224	229	234	238	244	253	255	262	267	274

NOTE: Price includes premiere valance. Must provide desired valance options.

60% Drapery Fullness

Height up to inches (cm) ↓	Width up to inches (cm) →													
	48 (122.0)	60 (152.4)	72 (182.9)	78 (198.2)	84 (213.4)	96 (243.9)	108 (274.4)	120 (304.8)	132 (335.3)	144 (365.8)	156 (396.3)	168 (426.8)	180 (457.2)	192 (487.7)
36 (91.5)	\$618	725	809	850	980	998	1061	1320	1407	1468	1544	1628	1741	1755
48 (122.0)	676	807	906	954	1102	1120	1206	1474	1584	1662	1738	1837	1975	1993
60 (152.4)	760	887	1007	1061	1228	1247	1349	1633	1755	1853	1927	2046	2213	2231
72 (182.9)	798	969	1102	1169	1349	1369	1444	1735	1938	2040	2118	2255	2445	2463
84 (213.4)	859	1048	1204	1262	1474	1486	1582	1859	2114	2226	2313	2463	2681	2701
96 (243.9)	919	1128	1302	1387	1595	1613	1741	2040	2291	2417	2506	2674	2921	2933
Privacy Liner	255	262	276	276	276	284	293	300	304	306	314	322	329	335
Room-Darkening Liner	329	335	360	360	360	367	373	380	396	404	409	417	428	438

NOTE: Price includes premiere valance. Must provide desired valance options.

Colors

Chencun	Majian	Serenity	Toushan II
Appaloosa 00846	Driftwood 32445	Coastline 15702	Mocha 63759
White 60417	Toffee 32296	Dover White 15700	Taupe 63659
Escape		Haze 11502	
Forest 25601			
Island 25602			

Price Charts

Price Group I: Inan, Moniz, Yunnan

Standard Drapery Fullness

Height up to inches (cm) ↓	Width up to inches (cm) →													
	48 (122.0)	60 (152.4)	72 (182.9)	78 (198.2)	84 (213.4)	96 (243.9)	108 (274.4)	120 (304.8)	132 (335.3)	144 (365.8)	156 (396.3)	168 (426.8)	180 (457.2)	192 (487.7)
36 (91.5)	\$435	513	570	598	691	705	769	956	1019	1064	1120	1181	1262	1274
48 (122.0)	478	569	642	674	778	792	874	1070	1149	1203	1260	1333	1433	1446
60 (152.4)	535	627	710	749	866	880	978	1184	1274	1342	1395	1482	1604	1616
72 (182.9)	563	684	778	825	953	966	1081	1298	1406	1476	1535	1635	1705	1786
84 (213.4)	608	742	850	910	1041	1051	1184	1412	1500	1614	1676	1786	1946	1957
96 (243.9)	647	798	918	978	1126	1139	1290	1526	1660	1753	1816	1939	2117	2126
Privacy Liner	160	164	173	173	173	177	182	187	189	191	196	200	207	211
Room-Darkening Liner	207	211	224	224	224	229	234	238	244	253	255	262	267	274

NOTE: Price includes premiere valance. Must provide desired valance options.

60% Drapery Fullness

Height up to inches (cm) ↓	Width up to inches (cm) →													
	48 (122.0)	60 (152.4)	72 (182.9)	78 (198.2)	84 (213.4)	96 (243.9)	108 (274.4)	120 (304.8)	132 (335.3)	144 (365.8)	156 (396.3)	168 (426.8)	180 (457.2)	192 (487.7)
36 (91.5)	\$664	783	870	913	1054	1076	1173	1459	1555	1624	1709	1802	1926	1944
48 (122.0)	729	868	980	1029	1187	1209	1334	1633	1753	1836	1923	2034	2187	2207
60 (152.4)	816	957	1083	1143	1322	1343	1492	1807	1944	2048	2129	2262	2448	2466
72 (182.9)	859	1044	1187	1259	1454	1474	1650	1981	2146	2252	2342	2495	2602	2725
84 (213.4)	928	1132	1297	1389	1589	1604	1807	2155	2289	2463	2558	2725	2970	2986
96 (243.9)	987	1218	1401	1492	1718	1738	1969	2329	2533	2675	2771	2959	3231	3244
Privacy Liner	255	262	276	276	276	284	293	300	304	306	314	322	329	335
Room-Darkening Liner	329	335	360	360	360	367	373	380	396	404	409	417	428	438

NOTE: Price includes premiere valance. Must provide desired valance options.

Colors

Inan	Moniz	Yunnan
Umber 04858	Austria 05083	Arctic Seal 19585
	Belgium 05084	Rocky Shore 19587
	Finland 05080	Sky 19586
	Peru 05081	

Price Charts

Price Group J: Amour, Boardwalk, Majuro

Standard Drapery Fullness

Height up to inches (cm) ↓	Width up to inches (cm) →													
	48 (122.0)	60 (152.4)	72 (182.9)	78 (198.2)	84 (213.4)	96 (243.9)	108 (274.4)	120 (304.8)	132 (335.3)	144 (365.8)	156 (396.3)	168 (426.8)	180 (457.2)	192 (487.7)
36 (91.5)	\$439	520	574	616	712	724	790	984	1049	1095	1151	1215	1298	1310
48 (122.0)	482	576	644	693	800	814	899	1099	1181	1238	1295	1370	1474	1486
60 (152.4)	540	640	721	770	892	906	1006	1218	1310	1380	1435	1526	1650	1663
72 (182.9)	574	692	784	849	979	994	1113	1334	1445	1518	1578	1682	1824	1837
84 (213.4)	621	744	856	936	1071	1080	1218	1448	1575	1659	1726	1837	2000	2013
96 (243.9)	657	804	922	1006	1157	1172	1375	1570	1707	1803	1868	1994	2178	2186
Privacy Liner	160	164	173	173	173	177	182	187	189	191	196	200	207	211
Room-Darkening Liner	207	211	224	224	224	229	234	238	244	253	255	262	267	274

NOTE: Price includes premiere valance. Must provide desired valance options.

60% Drapery Fullness

Height up to inches (cm) ↓	Width up to inches (cm) →													
	48 (122.0)	60 (152.4)	72 (182.9)	78 (198.2)	84 (213.4)	96 (243.9)	108 (274.4)	120 (304.8)	132 (335.3)	144 (365.8)	156 (396.3)	168 (426.8)	180 (457.2)	192 (487.7)
36 (91.5)	\$670	794	876	940	1087	1105	1206	1502	1601	1671	1756	1854	1981	1999
48 (122.0)	736	879	983	1058	1221	1242	1372	1677	1802	1889	1976	2091	2249	2268
60 (152.4)	824	977	1100	1175	1361	1383	1535	1859	1999	2106	2190	2329	2518	2538
72 (182.9)	876	1056	1196	1296	1494	1517	1698	2036	2205	2316	2408	2567	2783	2803
84 (213.4)	948	1135	1306	1428	1634	1648	1859	2210	2403	2532	2634	2803	3052	3072
96 (243.9)	1003	1227	1407	1535	1766	1788	2098	2396	2605	2751	2851	3043	3324	3336
Privacy Liner	255	262	276	276	276	284	293	300	304	306	314	322	329	335
Room-Darkening Liner	329	335	360	360	360	367	373	380	396	404	409	417	428	438

NOTE: Price includes premiere valance. Must provide desired valance options.

Colors

Amour	Boardwalk	Majuro*
Pearl 00116	Pier 15968	Cattail 45071
Radiant 00001		Daisy 45070
		Stonybrook 45073
		Trail 45072

*Edge banding is required at no charge.

Price Charts

Price Group K: Azores, Madeira, Merino, Paralian

Standard Drapery Fullness

Height up to inches (cm) ↓	Width up to inches (cm) →													
	48 (122.0)	60 (152.4)	72 (182.9)	78 (198.2)	84 (213.4)	96 (243.9)	108 (274.4)	120 (304.8)	132 (335.3)	144 (365.8)	156 (396.3)	168 (426.8)	180 (457.2)	192 (487.7)
36 (91.5)	\$491	578	646	715	825	841	916	1142	1217	1270	1334	1408	1504	1519
48 (122.0)	540	643	723	803	928	945	1042	1275	1370	1435	1502	1589	1707	1724
60 (152.4)	555	707	802	894	1034	1050	1166	1414	1519	1600	1666	1770	1914	1927
72 (182.9)	635	775	878	982	1135	1152	1290	1547	1674	1760	1831	1950	2115	2130
84 (213.4)	685	837	959	1088	1241	1254	1414	1674	1828	1924	1999	2130	2318	2334
96 (243.9)	731	900	1037	1166	1343	1358	1610	1820	1979	2090	2166	2310	2524	2535
Privacy Liner	160	164	173	173	173	177	182	187	189	191	196	200	207	211
Room-Darkening Liner	207	211	224	224	224	229	234	238	244	253	255	262	267	274

NOTE: Price includes premiere valance. Must provide desired valance options.

60% Drapery Fullness

Height up to inches (cm) ↓	Width up to inches (cm) →													
	48 (122.0)	60 (152.4)	72 (182.9)	78 (198.2)	84 (213.4)	96 (243.9)	108 (274.4)	120 (304.8)	132 (335.3)	144 (365.8)	156 (396.3)	168 (426.8)	180 (457.2)	192 (487.7)
36 (91.5)	\$749	882	986	1091	1259	1283	1398	1743	1857	1938	2036	2149	2295	2318
48 (122.0)	824	981	1103	1225	1416	1442	1590	1946	2091	2190	2292	2425	2605	2631
60 (152.4)	847	1079	1224	1364	1578	1602	1779	2158	2318	2442	2542	2701	2921	2941
72 (182.9)	969	1183	1340	1499	1732	1758	1969	2361	2555	2686	2794	2976	3227	3250
84 (213.4)	1045	1277	1463	1660	1894	1914	2158	2555	2790	2936	3050	3250	3537	3562
96 (243.9)	1116	1373	1582	1779	2049	2072	2457	2777	3020	3189	3305	3525	3852	3868
Privacy Liner	255	262	276	276	276	284	293	300	304	306	314	322	329	335
Room-Darkening Liner	329	335	360	360	360	367	373	380	396	404	409	417	428	438

NOTE: Price includes premiere valance. Must provide desired valance options.

Colors

Azores	Madeira	Merino	Paralian*
Carob..... 35063	Brunette..... 65010	Belize..... 55508	Mink..... 25050
Snow..... 35060	Wolf..... 65011	Burgos..... 50503	Otter..... 25052
Suede..... 35061		Grenada..... 55507	Sand Dollar..... 25051
Sycamore..... 35062		Sevilla..... 55506	

*Edge banding is required at no charge.

Options Pricing

Options Pricing

Natural Shade Options

Surcharge

Angled Top	Price as standard shade using angled width and longest height; add \$226
Bay or Corner Window	No charge
Bottom Up/Top Down	\$77
Continuous-Loop Lift	\$59 per panel
Cord Cleats	Antique brass: \$5 Solid brass: \$10
Cord Winder	\$8
Cut-Outs	\$67
Edge Banding	Standard: \$125; looped: \$157; old style: \$125; valance only: \$50
Hem Options: Standard Hem	No charge
Hem Options: Deco-Trim	See price charts
Hem Options: Deco-Pocket	See price charts
Hold Down Brackets (extend from side of hem and must be requested at the time of the order)	No charge
Liners: Privacy and Room Darkening	See price charts
Motorized Lift: Standard and Old Style Roman Shades	See motorization price list
Multiple Shades on One Headrail	Two on one headrail (to left of bold line on price chart): \$80 Three on one headrail (to left of bold line on price chart): \$118
Projection Brackets: 2" (5.1 cm), 2 ⁵ / ₈ " (6.7 cm), 3 ¹ / ₂ " (8.9 cm)	No charge
Returns: 2" (5.1 cm) for Shades	No charge (not available on turned headrail)
Side Mount Bracket	No charge
Turned Headrail	No charge
Valances: 6" (15.3 cm)	No charge
Valances: 9" (22.9 cm)	\$13; no charge for continuous-loop lift or motorized lift
Valances: Premiere	See price charts
Valances: Deco-Trim	See price charts
Wood Cornices and Valances	See cornices and valances price list

Natural Drape Options

Surcharge

Ceiling Brackets	No charge
Drape Fullness: Standard or 60%	See price charts
Edge Banding for Top, Bottom, and Valance	No charge
Edge Banding for Drape Side Optional	No charge
No Valance: Optional	No charge
Privacy or Room-Darkening Liner for Drape (option at time of order)	See price charts
Premiere Valance (included at the time of order)	No charge at time of order; premiere valance only, see price chart below
Wood Cornices and Valances	See cornices and valances price list

Premiere Valance Only

Width up to inches (cm)	18 (45.8)	24 (61.0)	28 (71.2)	32 (81.3)	36 (91.5)	42 (106.7)	48 (122.0)	54 (137.2)	60 (152.4)	66 (167.7)	72 (182.9)	78 (198.2)	84 (213.4)	90 (228.6)	96 (243.9)	108 (274.4)	120 (304.8)	144 (365.8)	156 (396.3)	168 (426.8)	180 (457.2)	192 (487.7)
Premiere Valance	\$92	103	114	131	140	159	177	195	212	230	247	266	284	302	319	355	391	427	463	499	535	571
Liner on Valance (Privacy or Room Darkening)	12	14	16	22	23	26	29	32	34	38	41	43	45	47	49	57	64	76	91	106	121	136

NOTE: The valance material comes attached to a hardwood frame and includes mounting brackets (standard, ceiling, or projection brackets).



Grabert is a brand of Springs Window Fashions, the Best Experience Company 

Grabert and the Grabert logo are registered trademarks of Springs Window Fashions, LLC.

19-0358-03 (07/17) 17-5478|S17-4738