

OVERTURE SHEER SHADES

Table of Contents

Features

Overture Sheer Shades	2
Fabric Styles and Information: Sheer Shades	3
Light Control and Privacy	4
Fabric Recommendations	4
Light Gap	4
Fabric Disclaimers	4
Cleaning and Care Information	4
Fabric Certifications	4

Size Considerations

Continuous-Loop Lift and Motorized Lift Mounting Depth Illustrations	5
Maximum Shade Size	6-7
Continuous-Loop Lift and Motorized Lift	8

Options

Shade Options	9
Projection Brackets	9
Continuous-Loop Lift Control	10
Motorized Lift	10
Corner Windows	11
Adjacent Shadings	11
Bay Windows	12

General Information

Continuous-Loop Lift	13
Continuous-Loop Lift and Motorized Lift	14
Continuous-Loop Lift Product Detail	15
Color Coordination Charts	16-17

Price Charts and Options Pricing

Price Group A: Marisco 2" (5.1 cm), Marisco 2¾" (7.0 cm)	19
Price Group B: Glessner 2" (5.1 cm), Glessner 3" (7.7 cm), Roslin, Winchester	19
Price Group C: Glessner Woven 2" (5.1 cm), Glessner Woven 3" (7.7 cm), San Simeon 3" (7.7 cm), Winchester Woven	20
Price Group D: Glessner Sheen 2" (5.1 cm), Glessner Sheen 3" (7.7 cm), Winchester Sheen	20
Options Pricing	21

Features

Overture Sheer Shades

- Two layers of fabric encase lightweight fabric vanes for effortless light control
- The sheer softens incoming light and helps filter out harmful UV rays while providing an outside view
- The light filtering option allows soft light to flow through while providing privacy
- Smaller vanes are often better for smaller-sized windows while larger vanes work best for larger windows and have the added advantage of providing more view-through
- Shades block up to 99% of UV rays when closed

Features	Benefits
Continuous-Loop Lift	<ul style="list-style-type: none"> • Cord and clutch system makes raising and lowering shade easy • Cord remains at same length, regardless of shade position • Choose left or right cord location • Color coordinated cords • Choose from six colors of bottomrail
Motorized Lift	<ul style="list-style-type: none"> • Window treatments can be operated from virtually anywhere in the home • Easily operate hard-to-reach or large window coverings • Operate multiple window treatments simultaneously or individually
Fabric-Wrapped Cassette	<ul style="list-style-type: none"> • Fabric-wrapped cassette (standard) creates a cohesive appearance in the window

Features

Fabric Styles and Information: Sheer Shades

Style Name	Color Name	Price Group	Oeko-Tex® Certified	Fire Retardant Rated	Color to Street side
Glessner 2" (5.1 cm) Glessner 3" (7.7 cm)	Apple Blossom	B	√	√	
	Bechamel	B	√	√	
	Cavalry	B	√	√	
	Downtown	B	√	√	
	Glacial	B	√	√	
	Lemongrass	B	√	√	
	Limestone	B	√	√	
	Macchiato	B	√	√	
	Merlot	B	√	√	
	Portico	B	√	√	
	Rodeo Drive	B	√	√	
	Sable	B	√	√	
	Sandstone	B	√	√	
	Stationery	B	√	√	
	Vellum	B	√	√	
Glessner Sheen 2" (5.1 cm) Glessner Sheen 3" (7.7 cm)	Bubbly	D	√	√	
	Limousine	D	√	No	
	Soiree	D	√	√	
Glessner Woven 2" (5.1 cm) Glessner Woven 3" (7.7 cm)	Bamboo	C	√	No	
	Champagne	C	√	√	
	Silver Mine	C	√	No	
Marisco 2" (5.1 cm) Marisco 2¾" (7.0 cm)	Bechamel	A	√	√	Neutral to the street
	Stationery	A	√	√	Neutral to the street
San Simeon 3" (7.7 cm)	Adirondack	C	√	√	Neutral to the street
	Everglades	C	√	√	Neutral to the street
	Sandstone	C	√	√	Neutral to the street
	Silver Mine	C	√	√	Neutral to the street
	Stationery	C	√	√	Neutral to the street
	Vellum	C	√	√	Neutral to the street
Roslin*	Bechamel	B	√	√	Neutral to the street
	Sandstone	B	√	√	Neutral to the street
	Stationery	B	√	√	Neutral to the street
Winchester*	Bechamel	B	√	√	
	Rodeo Drive	B	√	√	
	Stationery	B	√	√	
Winchester Sheen*	Limousine	D	√	No	
	Soiree	D	√	No	
	Sunset Strip	D	√	No	
Winchester Woven*	Champagne	C	√	√	
	Everglades	C	√	√	
	Silver Mine	C	√	√	

NOTE: All Fabric composition consists of 100% polyester and light filtering while providing privacy.
*Styles have a 2" (5.1 cm) vane size with a unique design, limiting the view to the outside.

Features

Light Control and Privacy

Light Filtering*: Allows light to gently filter through and provides privacy. Images and shapes may be seen through these shades, but details are not visible. Deep fabric colors provide moderate light control, while light colors provide lower light control. **Privacy Level:** Moderate.

Light Gaps: For optimal light, outside mount is recommended, or you may add a secondary soft window treatment (drapery or curtain) to hide the light gap on an inside mount.
Privacy Level: Moderate.

*These fabrics are translucent and their colors may be influenced by changing light conditions. Colors may appear to vary depending upon the time of day and type of lighting, as well as whether the shade is partially or fully open.

Fabric Recommendations

Order all shades for the same room at the same time to ensure color consistency and to minimize dye lot variation. For side-by-side sheer shades, request vane alignment. Vanes can be aligned to within ¼" (0.7 cm).

NOTE: Shades must be ordered at the same time with the same fabric style and height.

Light Gap

The fabric width is narrower than the finished shade width of the tube and its components. See chart below for light gap.

Control Type	Control End		Idle End	
	Inside Mount inches (cm)	Outside Mount inches (cm)	Inside Mount inches (cm)	Outside Mount inches (cm)
Continuous-Loop Lift	1 1/16 (2.7)	1 (2.6)	1 1/16 (1.8)	5/8 (1.6)
Motorized Lift	1 (2.6)	1 5/16 (2.4)	1 1/16 (1.8)	5/8 (1.6)

Fabric Disclaimers

Due to the nature of the weaving process, some imperfections in the weave are normal. Fabric appearance can vary based on changing light conditions in the room.

Cleaning and Care Information

Regular light dusting with a feather duster, vacuum with low suction, or a hair dryer on a cool temperature.

Professional blind cleaners use a variety of methods to clean blinds and vary in their capabilities. While Springs Window Fashions, LLC knows that many of our window treatments can be safely cleaned using the appropriate ultrasonic or injection/extraction cleaning methods, we cannot guarantee the outcome of any cleaning services provided by an independent company.

For assistance in locating a certified blind cleaner that serves your area, visit blindcleaners.net or contact customer service at 800-221-6352.

Fabric Certifications

Oeko-Tex® Standard 100 certifies that our fabrics are free of PVC, halogen, lead, formaldehyde, allergenic dyes, pesticides, phenols, heavy metals, and meet all VOC content limits.

oeko-tex.com

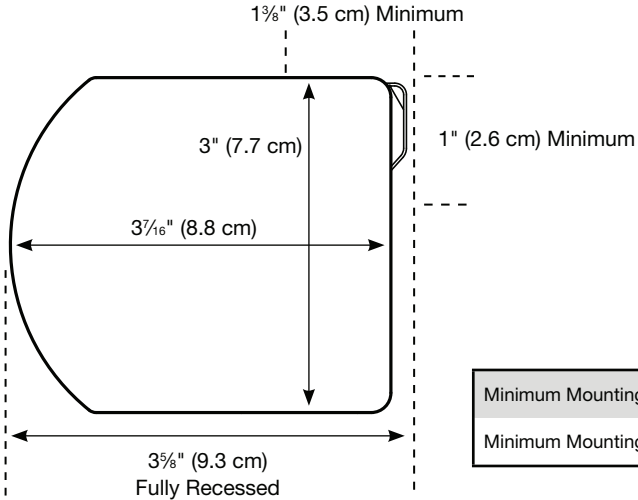
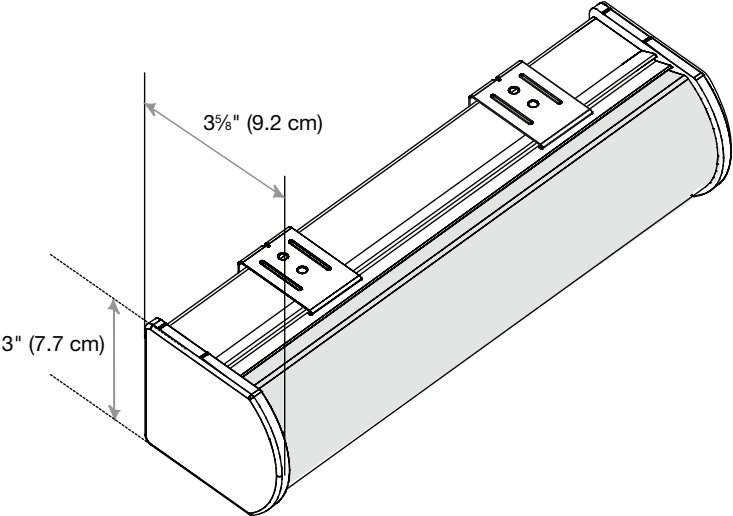
Oeko-Tex is a registered trademark of the Oeko-Tex Association.



Size Considerations

Continuous-Loop Lift and Motorized Lift Mounting Depth Illustrations

The following diagram illustrates the mounting depth requirements for shades mounted inside window casements.



Fabric-Wrapped Cassette

Minimum Mounting Depth	1 3/8" (3.5 cm)
Minimum Mounting Depth, Flush Mount	3 5/8" (9.3 cm)

Size Considerations

Maximum Shade Size

NOTE: Shaded areas are available for order.

Minimum width: Continuous-loop lift 12" (30.5 cm)
 Motorized lift 16" (40.7 cm)

Minimum height: 12" (30.5 cm) all control types

Fabric: Glessner 2" (5.1 cm)	
Height up to inches (cm) ↓	Width up to inches (cm) →
	24 (61.0) 30 (76.2) 36 (91.5) 42 (106.7) 48 (122.0) 54 (137.2) 60 (152.4) 66 (167.7) 72 (182.9) 78 (198.2) 84 (213.4) 90 (228.6) 96 (243.9) 102 (259.1)
24 (61.0)	
30 (76.2)	
36 (91.5)	
42 (106.7)	
48 (122.0)	
54 (131.1)	
60 (152.4)	
66 (167.7)	
72 (182.9)	
78 (198.2)	
84 (213.4)	
90 (228.6)	
96 (243.9)	
105 (266.7)	
108 (274.4)	
110 (279.4)	

Fabric: Glessner Sheen 2" (5.1 cm)	
Height up to inches (cm) ↓	Width up to inches (cm) →
	24 (61.0) 30 (76.2) 36 (91.5) 42 (106.7) 48 (122.0) 54 (137.2) 60 (152.4) 66 (167.7) 72 (182.9) 78 (198.2) 84 (213.4) 90 (228.6) 98 (249.0) 102 (259.1)
24 (61.0)	
30 (76.2)	
36 (91.5)	
42 (106.7)	
48 (122.0)	
54 (131.1)	
60 (152.4)	
66 (167.7)	
72 (182.9)	
78 (198.2)	
84 (213.4)	
90 (228.6)	
96 (243.9)	
102 (259.1)	
108 (274.4)	
110 (279.4)	

Fabric: Glessner Woven 2" (5.1 cm)	
Height up to inches (cm) ↓	Width up to inches (cm) →
	24 (61.0) 30 (76.2) 36 (91.5) 42 (106.7) 48 (122.0) 54 (137.2) 60 (152.4) 66 (167.7) 72 (182.9) 78 (198.2) 84 (213.4) 90 (228.6) 96 (243.9) 102 (259.1)
24 (61.0)	
30 (76.2)	
36 (91.5)	
42 (106.7)	
48 (122.0)	
54 (131.1)	
60 (152.4)	
66 (167.7)	
72 (182.9)	
78 (198.2)	
84 (213.4)	
90 (228.6)	
96 (243.9)	
102 (259.1)	
108 (274.4)	
110 (279.4)	

Fabric: Glessner 3" (7.7 cm)	
Height up to inches (cm) ↓	Width up to inches (cm) →
	24 (61.0) 30 (76.2) 36 (91.5) 42 (106.7) 48 (122.0) 54 (137.2) 60 (152.4) 66 (167.7) 72 (182.9) 78 (198.2) 84 (213.4) 90 (228.6) 96 (243.9) 102 (259.1)
24 (61.0)	
30 (76.2)	
36 (91.5)	
42 (106.7)	
48 (122.0)	
54 (131.1)	
60 (152.4)	
66 (167.7)	
72 (182.9)	
78 (198.2)	
84 (213.4)	
90 (228.6)	
96 (243.9)	
105 (266.7)	
108 (274.4)	
110 (279.4)	

Fabric: Glessner Sheen 3" (7.7 cm)	
Height up to inches (cm) ↓	Width up to inches (cm) →
	24 (61.0) 30 (76.2) 36 (91.5) 42 (106.7) 48 (122.0) 54 (137.2) 60 (152.4) 66 (167.7) 72 (182.9) 78 (198.2) 84 (213.4) 90 (228.6) 98 (249.0) 102 (259.1)
24 (61.0)	
30 (76.2)	
36 (91.5)	
42 (106.7)	
48 (122.0)	
54 (131.1)	
60 (152.4)	
66 (167.7)	
72 (182.9)	
78 (198.2)	
84 (213.4)	
90 (228.6)	
96 (243.9)	
102 (259.1)	
108 (274.4)	
110 (279.4)	

Fabric: Glessner Woven 3" (7.7 cm)	
Height up to inches (cm) ↓	Width up to inches (cm) →
	24 (61.0) 30 (76.2) 36 (91.5) 42 (106.7) 48 (122.0) 54 (137.2) 60 (152.4) 66 (167.7) 72 (182.9) 78 (198.2) 84 (213.4) 90 (228.6) 96 (243.9) 102 (259.1)
24 (61.0)	
30 (76.2)	
36 (91.5)	
42 (106.7)	
48 (122.0)	
54 (131.1)	
60 (152.4)	
66 (167.7)	
72 (182.9)	
78 (198.2)	
84 (213.4)	
90 (228.6)	
96 (243.9)	
102 (259.1)	
108 (274.4)	
110 (279.4)	

Size Considerations

Maximum Shade Size

NOTE: Shaded areas are available for order.

Minimum width: Continuous-loop lift 12" (30.5 cm)
 Motorized lift 16" (40.7 cm)

Minimum height: 12" (30.5 cm) all control types

Fabric: Marisco 2" (5.1 cm)	
Height up to inches (cm) ↓	Width up to inches (cm) →
	24 (61.0) 30 (76.2) 36 (91.5) 42 (106.7) 48 (122.0) 54 (137.2) 60 (152.4) 66 (167.7) 72 (182.9) 78 (198.2) 84 (213.4) 94 (238.8) 96 (243.9) 102 (259.1)
24 (61.0)	
30 (76.2)	
36 (91.5)	
42 (106.7)	
48 (122.0)	
54 (131.1)	
60 (152.4)	
66 (167.7)	
72 (182.9)	
78 (198.2)	
84 (213.4)	
90 (228.6)	
96 (243.9)	
99 (251.5)	
108 (274.4)	
110 (279.4)	

Fabric: Marisco 2 3/4" (7.0 cm)	
Height up to inches (cm) ↓	Width up to inches (cm) →
	24 (61.0) 30 (76.2) 36 (91.5) 42 (106.7) 48 (122.0) 54 (137.2) 60 (152.4) 66 (167.7) 72 (182.9) 78 (198.2) 84 (213.4) 94 (238.8) 96 (243.9) 102 (259.1)
24 (61.0)	
30 (76.2)	
36 (91.5)	
42 (106.7)	
48 (122.0)	
54 (131.1)	
60 (152.4)	
66 (167.7)	
72 (182.9)	
78 (198.2)	
84 (213.4)	
90 (228.6)	
96 (243.9)	
98 (249.0)	
108 (274.4)	
110 (279.4)	

Fabric: San Simeon 3" (7.7 cm)	
Height up to inches (cm) ↓	Width up to inches (cm) →
	24 (61.0) 30 (76.2) 36 (91.5) 42 (106.7) 48 (122.0) 54 (137.2) 60 (152.4) 66 (167.7) 72 (182.9) 78 (198.2) 84 (213.4) 90 (228.6) 96 (243.9) 102 (259.1)
24 (61.0)	
30 (76.2)	
36 (91.5)	
42 (106.7)	
48 (122.0)	
54 (131.1)	
60 (152.4)	
65 (165.1)	
72 (182.9)	
78 (198.2)	
84 (213.4)	
90 (228.6)	
96 (243.9)	
102 (259.1)	
108 (274.4)	
110 (279.4)	

Fabric: Roslin	
Height up to inches (cm) ↓	Width up to inches (cm) →
	24 (61.0) 30 (76.2) 36 (91.5) 42 (106.7) 48 (122.0) 54 (137.2) 60 (152.4) 66 (167.7) 72 (182.9) 78 (198.2) 84 (213.4) 94 (238.8) 96 (243.9) 102 (259.1)
24 (61.0)	
30 (76.2)	
36 (91.5)	
42 (106.7)	
48 (122.0)	
54 (131.1)	
60 (152.4)	
66 (167.7)	
72 (182.9)	
75 (190.5)	
84 (213.4)	
90 (228.6)	
96 (243.9)	
102 (259.1)	
108 (274.4)	
110 (279.4)	

Fabric: Winchester	
Height up to inches (cm) ↓	Width up to inches (cm) →
	24 (61.0) 30 (76.2) 36 (91.5) 42 (106.7) 48 (122.0) 54 (137.2) 60 (152.4) 66 (167.7) 72 (182.9) 78 (198.2) 84 (213.4) 90 (228.6) 97 (246.8) 102 (259.1)
24 (61.0)	
30 (76.2)	
36 (91.5)	
42 (106.7)	
48 (122.0)	
54 (131.1)	
60 (152.4)	
66 (167.7)	
72 (182.9)	
78 (198.2)	
84 (213.4)	
87 (221.0)	
96 (243.9)	
102 (259.1)	
108 (274.4)	
110 (279.4)	

Fabric: Winchester Sheen	
Height up to inches (cm) ↓	Width up to inches (cm) →
	24 (61.0) 30 (76.2) 36 (91.5) 42 (106.7) 48 (122.0) 54 (137.2) 60 (152.4) 66 (167.7) 72 (182.9) 78 (198.2) 84 (213.4) 90 (228.6) 96 (243.9) 102 (259.1)
24 (61.0)	
30 (76.2)	
36 (91.5)	
42 (106.7)	
48 (122.0)	
54 (131.1)	
60 (152.4)	
66 (167.7)	
69 (175.3)	
78 (198.2)	
84 (213.4)	
90 (228.6)	
96 (243.9)	
102 (259.1)	
108 (274.4)	
110 (279.4)	

Fabric: Winchester Woven	
Height up to inches (cm) ↓	Width up to inches (cm) →
	24 (61.0) 30 (76.2) 36 (91.5) 42 (106.7) 48 (122.0) 54 (137.2) 60 (152.4) 66 (167.7) 72 (182.9) 78 (198.2) 84 (213.4) 90 (228.6) 97 (246.4) 102 (259.1)
24 (61.0)	
30 (76.2)	
36 (91.5)	
42 (106.7)	
48 (122.0)	
54 (131.1)	
60 (152.4)	
66 (167.7)	
72 (182.9)	
78 (198.2)	
84 (213.4)	
87 (221.1)	
96 (243.9)	
102 (259.1)	
108 (274.4)	
110 (279.4)	

Size Considerations

Continuous-Loop Lift and Motorized Lift

Style Name	Color Name	Maximum Width* inches (cm)	Maximum Height* inches (cm)
Glessner 2" (5.1 cm)	Apple Blossom	96 (243.9)	105 (266.7)
	Bechamel		
	Cavalry		
	Downtown		
	Glacial		
	Lemongrass		
	Limestone		
	Macchiato		
	Merlot		
	Portico		
	Rodeo Drive		
	Sable		
	Sandstone		
	Stationery		
Vellum			
Glessner Sheen 2" (5.1 cm)	Bubbly	98 (249.0)	110 (279.4)
	Limousine		
	Soiree		
Glessner Woven 2" (5.1 cm)	Bamboo	96 (243.9)	110 (279.4)
	Champagne		
Silver Mine			
Glessner 3" (7.7 cm)	Apple Blossom	96 (243.9)	105 (266.7)
	Bechamel		
	Cavalry		
	Downtown		
	Glacial		
	Lemongrass		
	Limestone		
	Macchiato		
	Merlot		
	Portico		
	Rodeo Drive		
	Sable		
	Sandstone		
	Stationery		
Vellum			

Style Name	Color Name	Maximum Width* inches (cm)	Maximum Height* inches (cm)
Glessner Sheen 3" (7.7 cm)	Bubbly	98 (249.0)	110 (279.4)
	Limousine		
	Soiree		
Glessner Woven 3" (7.7 cm)	Bamboo	96 (243.9)	110 (279.4)
	Champagne		
	Silver Mine		
Marisco 2" (5.1 cm)	Bechamel	94 (238.8)	99 (251.5)
	Stationery		
Marisco 2¾" (7.0 cm)	Bechamel	94 (238.8)	98 (249.0)
	Stationery		
San Simeon 3" (7.7 cm)	Adirondack	96 (243.9)	65 (165.1)
	Everglades		
	Sandstone		
	Silver Mine		
	Stationery		
Vellum			
Roslin	Bechamel	94 (238.8)	75 (190.5)
	Sandstone		
	Stationery		
Winchester	Bechamel	97 (246.4)	87 (221.0)
	Rodeo Drive		
Stationery			
Winchester Sheen	Limousine	102 (259.1)	69 (175.3)
	Soiree		
Sunset Strip			
Winchester Woven	Champagne	97 (246.4)	87 (221.0)
	Everglades		
Silver Mine			

Minimum width: Continuous-loop lift 12" (30.5 cm)

Motorized lift 16" (40.7 cm)

Minimum height: 12" (30.5 cm) all control types

*If the height is shorter than the maximum, a slightly larger width may be available to order. Maximum width is 102" (259.1 cm).

Options

Shade Options: For Surcharges and Pricing Refer to Pricing Section

Below is a list of options for sheer shades. All options are available in all styles and colors. See detailed descriptions on the following pages.

Control Type Options

- Continuous-loop lift
- Motorized lift (see motorization price list)

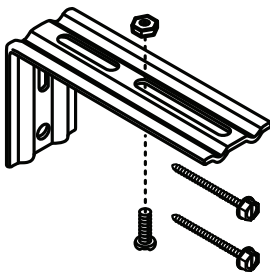
Shade Options—No Charge

- Bottomrail and end cap colors
- Bay and corner windows
- Cord length (must specify different length)
- Cord location
- Projection brackets 3¼" (8.3 cm) and 4" (10.2 cm)
 - 3¼" (8.3 cm) projection brackets add up to 2⅞" (5.4 cm) extension from wall
 - 4" (10.2 cm) projection brackets add up to 2⅞" (7.4 cm) extension from wall

Shade Options—Surcharge

- Motorization (see motorization price list)
- Palladian window shelf (see cornice, valance, and palladian window shelf price list)

Projection Brackets



- **No charge**
- Available with continuous-loop lift and motorized lift
- Two sizes: 3¼" (8.3 cm) and 4" (10.2 cm)
- 3¼" (8.3 cm) projection brackets add up to 2⅞" (5.4 cm) extension from wall
- 4" (10.2 cm) projection brackets add up to 2⅞" (7.4 cm) extension from wall

Options

Continuous-Loop Lift Control



- **Standard**
- Cord loop and clutch system makes raising and lowering shade easy
- Special cord loop length must be requested at time of order
- Cord remains at same length regardless of shade position
- Color coordinated cord loop and cord guide
- Safety cord guide keeps the cord out of the reach of children and pets to enhance safety
- Choose left or right cord location
- Outside mount is recommended for maximum light control

NOTE: Cord guide must be installed to operate shade.



Inside Mount Light Gap
Refer to Light Gap Chart

Motorized Lift



- **See motorization price list for additional options and pricing**
- Down position will have vanes open
- Allows for easy operation of hard-to-reach or large window coverings
- Efficiently manages energy (heat gain and loss)
- Motorized lift shades are cordless and are a safer choice for homes with children or pets
- Low-voltage motorization requires no costly electrical hardwiring
- Powered with battery, solar power kits, plug-in transformer, or multi-motor power supply
- Motor located on the left or right side, standard on the right

NOTE: Motorization components and accessories have a five-year limited warranty, excluding batteries.



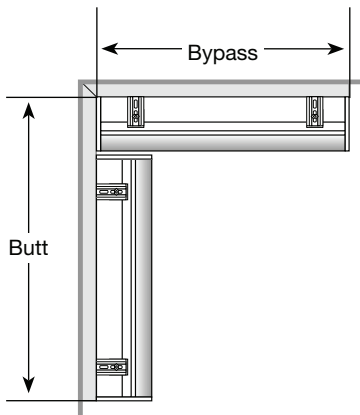
Options

Corner Windows



Shades on Corner Windows

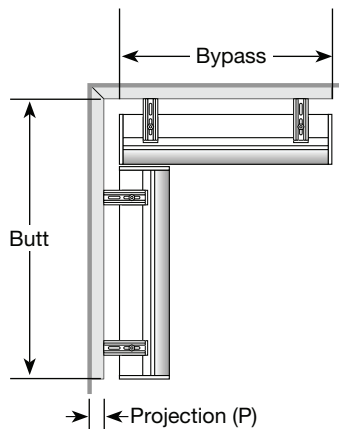
- **No charge**
- Made as individual shades
- Each shade will have its own control; we recommend opposite corners
- Indicate for each shade whether butt or bypass
- Bypass shade is mounted into the corner; butt shade is butted to the other shade
- Manufacturer will take appropriate deductions for proper fit; **DO NOT** order as a corner shade if you do not want manufacturer to take deductions



Measuring Information

Mounting on a Wall or Molding:

Measure the width of each window from the corner on the mounting surface (molding or wall) to the point you would like to cover.



Mounting Above the Molding:

Measure the width of each window from the corner on the mounting surface to the point you would like to cover.

Projection measurement is the distance needed to clear any molding or obstructions that the shade will be mounted above.

NOTE: The projection (P) distance is needed to correctly calculate deductions for installations where the shades will use shims or projection brackets to clear molding. All projection distances must match for correct deductions to be calculated.

Adjacent Shadings

To cover wide window openings, window shadings may be installed end to end so that the cassette headrails touch. The gap between the fabric panels of the adjacent shading varies by the control placement as shown in the chart.

Control Placement for Adjacent Shades			
Control Placement		Gap	
Left Shade Control	Right Shade Control	Continuous-Loop Lift inches (cm)	Motorized Lift inches (cm)
Right	Right	1 $\frac{3}{4}$ (4.5)	1 $\frac{11}{16}$ (4.3)
Left	Left	1 $\frac{3}{4}$ (4.5)	1 $\frac{11}{16}$ (4.3)
Right	Left	2 $\frac{1}{8}$ (5.4)	2 (5.1)
Left	Right	1 $\frac{3}{8}$ (3.5)	1 $\frac{3}{8}$ (3.5)

Side-by-Side Alignment

Vane alignment to within $\frac{1}{4}$ " (0.7 cm) is available upon request only for shades ordered at the same time with the same fabric style and height. Add note in special instructions.

Options

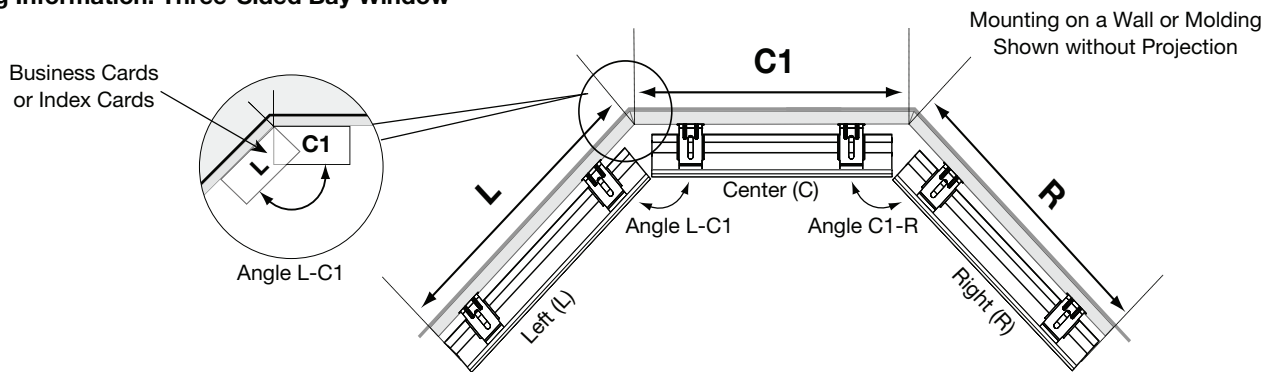
Bay Windows



Shades on Bay Windows

- **No charge**
- Made as individual shades
- Each section will have its own control
- Manufacturer will take appropriate deductions for proper fit; **DO NOT** order as a bay window shade if you do not want manufacturer to take deductions

Measuring Information: Three-Sided Bay Window

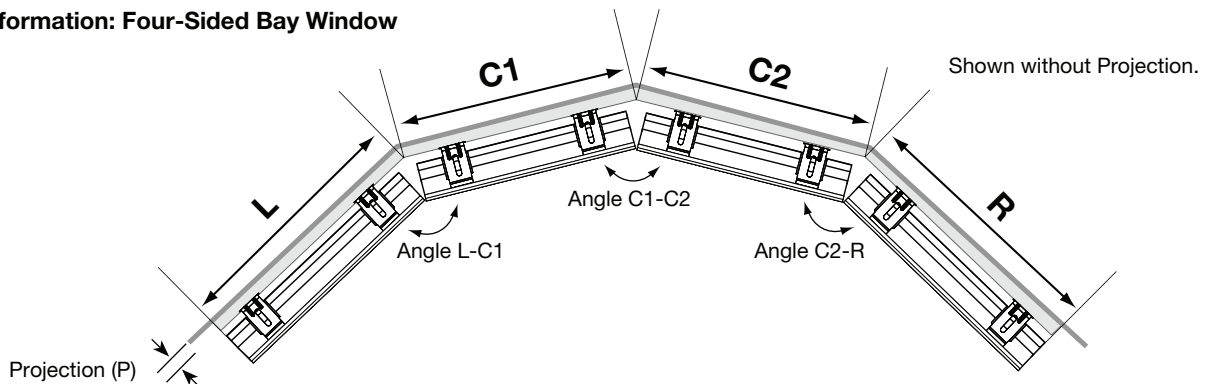


Measure:

- L and R:** Width of each side window from the corners on the mounting surface to the point you would like to cover.
- C1:** Width of the center window on the mounting surface from corner to corner.

- Angle L-C1:** Angle between the (L) and (C1) windows.
- Angle C1-R:** Angle between the (C1) and (R) windows.
- Projection:** If needed: the depth of the trim or molding the shade will be mounted above.

Measuring Information: Four-Sided Bay Window



- L and R:** Width of each side window from the corners on the mounting surface to the point you would like to cover.
- C1, C2:** Width of each center window on the mounting surface from corner to corner.

- Angle L-C1:** Angle between the (L) and (C1) windows.
- Angle C1-C2:** Angle between the (C1) and (C2) windows.
- Angle C2-R:** Angle between the (C2) and (R) windows.
- Projection (P):** If needed: the depth of the trim or molding the shade will be mounted above.

NOTE: The projection (P) distance is needed to correctly calculate deductions for installations where the shades will use shims or projection brackets to clear trim or molding. All projection distances must match for correct deductions to be calculated. For additional windows on bays with up to five sides continue with number progression for center shade sizes (C1, C2, C3, ...) and angles (angle C1-C2, angle C2-C3, ...) as needed. Measure each bay angle using a protractor or angle finder or use two business cards in each bay corner as illustrated above, trace on paper, and fax to customer service.

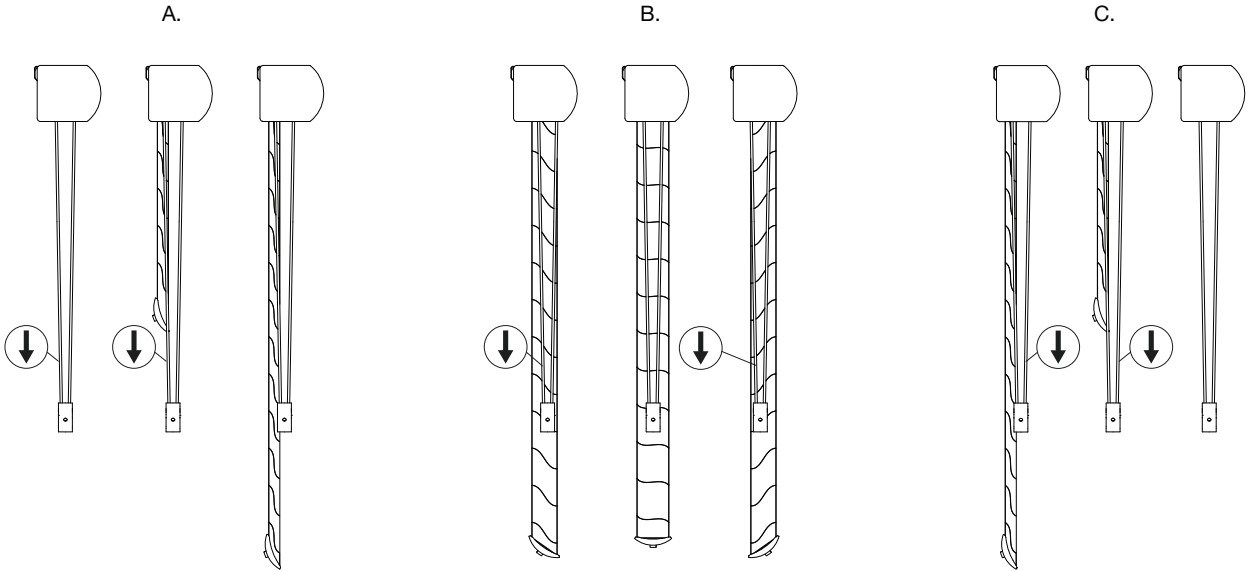
The angle to use between adjacent center bay windows along a straight section of wall is 180° (degrees).

General Information

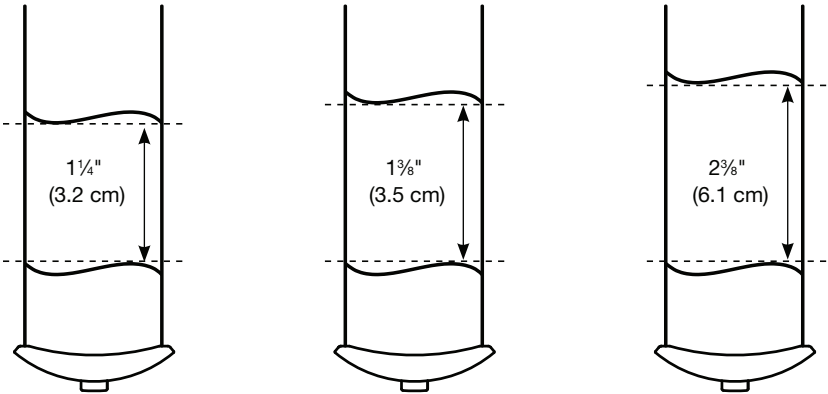
Continuous-Loop Lift

Shade Operation

- A. To lower, pull down on the back cord.
- B. Continue to pull on the back cord when fully lowered to open the vanes. Over rotation will occur if you continue to pull when the vanes are fully opened. The bottomrail will face into the room if over-rotated.
- C. To close, pull the front cord. Continue to pull on the front cord to raise the shade.



Open Vanes



2" (5.1 cm) Vane Size

2 1/4" (7.0 cm) Vane Size

3" (7.7 cm) Vane Size

General Information

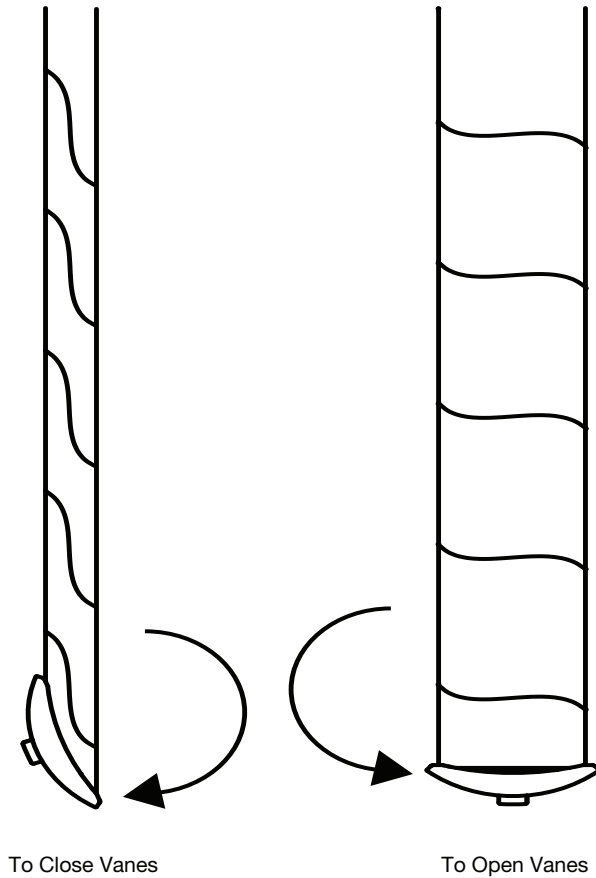
Continuous-Loop Lift and Motorized Lift

Closed Vanes

When closed, the vanes of sheer shades overlap providing privacy. Sheer shades may have light gaps towards the bottom of the shade.

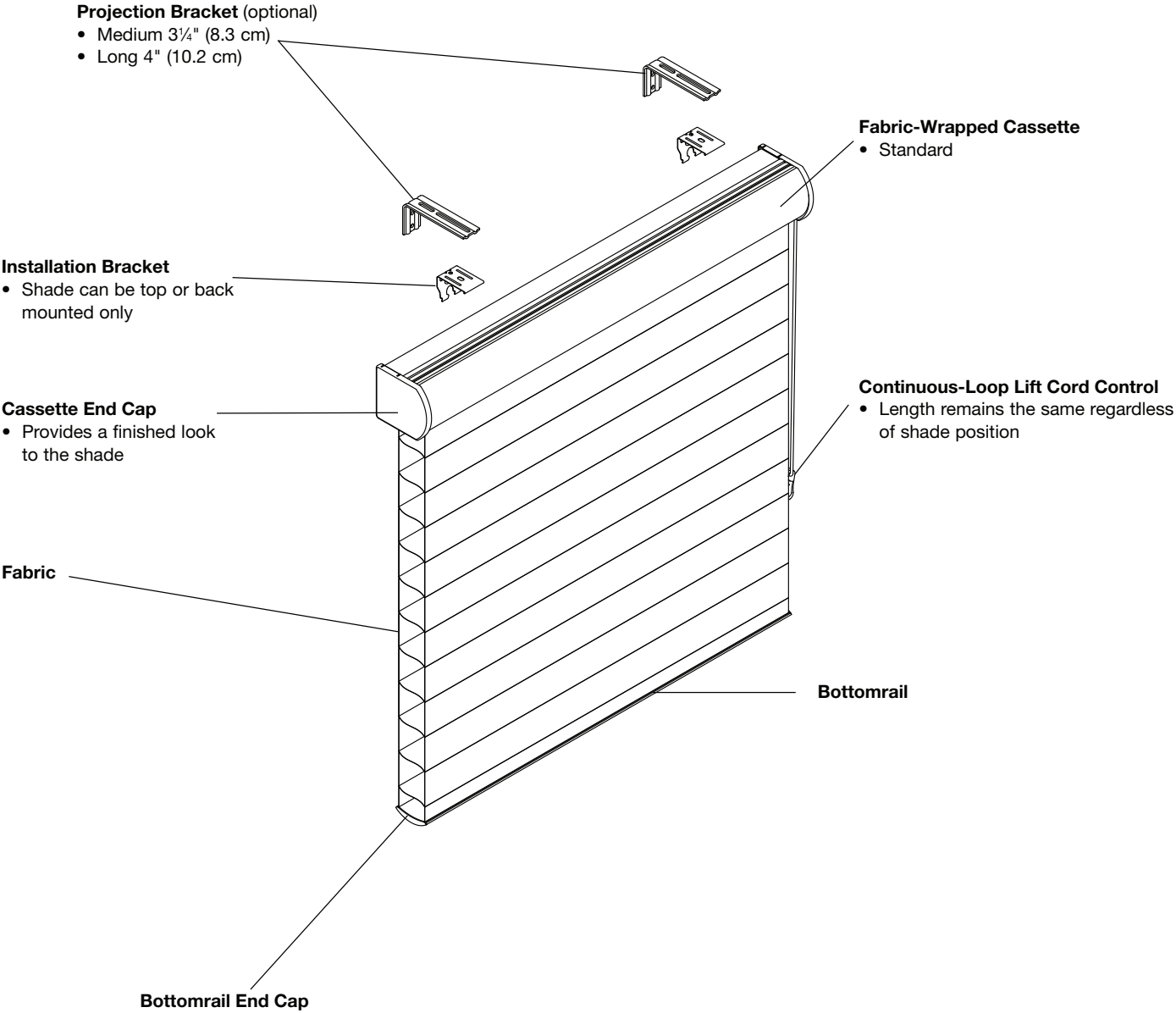
Importance of Correct Shade Height

The bottomrail pivots when the vanes are opened and closed as shown below. The proper height measurement is critical in applications where the window shading closes just above a window sill or floor. If the window shading is too long and the bottomrail rests on the sill or floor when it is fully lowered, the rail cannot pivot freely and the vanes cannot be opened properly.



General Information

Continuous-Loop Lift Product Detail



General Information

Color Coordination Charts

Color coordination is shown for informational purposes only.

Style	Color Name	Fabric Insert Color	Bottomrail Color	Continuous-Loop Lift
Glessner 2" (5.1 cm)	Apple Blossom	Sheer fabric-wrap Apple Blossom	White Satin	Bamboo
	Bechamel	Sheer fabric-wrap Bechamel	Cream	Bamboo
	Cavalry	Sheer fabric-wrap Cavalry	Classic Gray	Smokey Gray
	Downtown	Sheer fabric-wrap Downtown	Classic Gray	Smokey Gray
	Glacial	Sheer fabric-wrap Glacial	White Satin	Bamboo
	Lemongrass	Sheer fabric-wrap Lemongrass	Cream	Bamboo
	Limestone	Sheer fabric-wrap Limestone	Cream	Tuscany
	Macchiato	Sheer fabric-wrap Macchiato	Sand	Tuscany
	Merlot	Sheer fabric-wrap Merlot	Clover	Redwood
	Portico	Sheer fabric-wrap Portico	White Satin	Bamboo
	Rodeo Drive	Sheer fabric-wrap Rodeo Drive	White Satin	Bamboo
	Sable	Sheer fabric-wrap Sable	Coffee	Cocoa
	Sandstone	Sheer fabric-wrap Sandstone	Cream	Tuscany
	Stationery	Sheer fabric-wrap Stationery	White Satin	Bamboo
	Vellum	Sheer fabric-wrap Vellum	Cream	Bamboo
Glessner Sheen 2" (5.1 cm)	Bubbly	Sheer fabric-wrap Sheen Bubbly	Cream	Bamboo
	Limousine	Sheer fabric-wrap Sheen Limousine	Classic Gray	Smokey Gray
	Soiree	Sheer fabric-wrap Sheen Soiree	White Satin	Bamboo
Glessner Woven 2" (5.1 cm)	Bamboo	Sheer fabric-wrap woven Bamboo	Cream	Tuscany
	Champagne	Sheer fabric-wrap woven Champagne	Cream	Tuscany
	Silver Mine	Sheer fabric-wrap woven Silver Mine	Classic Gray	Smokey Gray
Glessner 3" (7.7 cm)	Apple Blossom	Sheer fabric-wrap Apple Blossom	White Satin	Bamboo
	Bechamel	Sheer fabric-wrap Bechamel	Cream	Bamboo
	Cavalry	Sheer fabric-wrap Cavalry	Classic Gray	Smokey Gray
	Downtown	Sheer fabric-wrap Downtown	Classic Gray	Smokey Gray
	Lemongrass	Sheer fabric-wrap Lemongrass	Cream	Bamboo
	Limestone	Sheer fabric-wrap Limestone	Cream	Tuscany
	Macchiato	Sheer fabric-wrap Macchiato	Sand	Tuscany
	Merlot	Sheer fabric-wrap Merlot	Clover	Redwood
	Portico	Sheer fabric-wrap Portico	White Satin	Bamboo
	Rodeo Drive	Sheer fabric-wrap Rodeo Drive	White Satin	Bamboo
	Sable	Sheer fabric-wrap Sable	Coffee	Cocoa
	Sandstone	Sheer fabric-wrap Sandstone	Cream	Tuscany
	Stationery	Sheer fabric-wrap Stationery	White Satin	Bamboo
	Vellum	Sheer fabric-wrap Vellum	Cream	Bamboo
	Glessner Sheen 3" (7.7 cm)	Bubbly	Sheer fabric-wrap Sheen Bubbly	Cream
Limousine		Sheer fabric-wrap Sheen Limousine	Classic Gray	Smokey Gray
Soiree		Sheer fabric-wrap Sheen Soiree	White Satin	Bamboo
Glessner Woven 3" (7.7 cm)	Bamboo	Sheer fabric-wrap woven Bamboo	Cream	Tuscany
	Champagne	Sheer fabric-wrap woven Champagne	Cream	Tuscany
	Silver Mine	Sheer fabric-wrap woven Silver Mine	Classic Gray	Smokey Gray
Marisco 2" (5.1 cm)	Bechamel	Sheer fabric-wrap Bechamel	Cream	Bamboo
	Stationery	Sheer fabric-wrap Stationery	White Satin	Bamboo
Marisco 2¾" (7.0 cm)	Bechamel	Sheer fabric-wrap Bechamel	Cream	Bamboo
	Stationery	Sheer fabric-wrap Stationery	White Satin	Bamboo

NOTE: Certain components are only available in limited colors.

General Information

Color Coordination Charts (cont.)

Color coordination is shown for informational purposes only.

Style	Color Name	Fabric Insert Color	Bottomrail Color	Continuous-Loop Lift
San Simeon 3" (7.7 cm)	Adirondack	Sheer fabric-wrap Woven Adirondack	Coffee	Cocoa
	Everglades	Sheer fabric-wrap Woven Everglades	Coffee	Cocoa
	Sandstone	Sheer fabric-wrap Sandstone	Cream	Tuscany
	Silver Mine	Sheer fabric-wrap Woven Silver Mine	Classic Gray	Smokey Gray
	Stationery	Sheer fabric-wrap Stationery	White Satin	Bamboo
Roslin	Vellum	Sheer fabric-wrap Vellum	Cream	Bamboo
	Bechamel	Sheer fabric-wrap Bechamel	Cream	Tuscany
	Sandstone	Sheer fabric-wrap Sandstone	White Satin	Bamboo
Winchester	Stationery	Sheer fabric-wrap Stationery	Cream	Bamboo
	Bechamel	Sheer fabric-wrap Bechamel	White Satin	Bamboo
	Rodeo Drive	Sheer fabric-wrap Rodeo Drive	White Satin	Bamboo
Winchester Sheen	Stationery	Sheer fabric-wrap Stationery	Classic Gray	Smokey Gray
	Limousine	Sheer fabric-wrap Sheen Limousine	White Satin	Bamboo
	Soiree	Sheer fabric-wrap Sheen Soiree	Classic Gray	Smokey Gray
Winchester Woven	Sunset Strip	Sheer fabric-wrap Sheen Sunset Strip	Cream	Tuscany
	Champagne	Sheer fabric-wrap Woven Champagne	Coffee	Cocoa
	Everglades	Sheer fabric-wrap Woven Everglades	Classic Gray	Smokey Gray
	Silver Mine	Sheer fabric-wrap Woven Silver Mine		

Bottomrail Colors
Classic Gray
Clover
Coffee
Cream
Sand
White Satin

Continuous-Loop Lift Cord Colors
Bamboo
Cocoa
Redwood
Smokey Gray
Tuscany

Continuous-Loop Lift Lengths inches (cm)
18 (45.8)
24 (61.0)
36 (91.5)
48 (122.0)
60 (152.4)
72 (182.9)
84 (213.4)

NOTE: Certain components are only available in limited colors.

Price Charts

Price Group A: Marisco 2" (5.1 cm), Marisco 2¾" (7.0 cm)

Height up to inches (cm) ↓	Width up to inches (cm) →												
	24 (61.0)	32 (81.3)	36 (91.5)	42 (106.7)	48 (122.0)	54 (137.2)	60 (152.4)	66 (167.7)	72 (182.9)	78 (198.2)	84 (213.4)	96 (243.9)	102 (259.1)
36 (91.5)	\$497	551	616	673	732	791	848	909	1031	1117	1150	1264	1341
42 (106.7)	518	589	648	715	776	845	909	972	1097	1188	1224	1352	1432
48 (122.0)	549	618	687	753	825	895	971	1040	1169	1267	1301	1440	1543
54 (137.2)	567	647	720	801	875	951	1029	1112	1237	1340	1380	1537	1650
60 (152.4)	591	681	759	840	918	1003	1090	1175	1295	1404	1465	1635	1767
66 (167.7)	604	709	800	882	972	1062	1159	1248	1368	1482	1556	1738	1859
72 (182.9)	648	741	832	923	1022	1122	1224	1319	1461	1582	1637	1836	1932
78 (198.2)	663	766	864	961	1063	1169	1274	1383	1527	1654	1741	1949	2091
84 (213.4)	694	800	896	1009	1118	1228	1346	1457	1604	1738	1835	2054	2199
96 (243.9)	743	860	974	1095	1224	1347	1474	1596	1757	1904	1982	2257	
110 (279.4)	814	985	1100	1221	1349	1473	1599	1722	1883	2040	2107	2383	

Size availability is based on fabric. See minimum and maximum charts for specific sizes.

Colors

Marisco 2" (5.1 cm)

Bechamel 6200
Stationery 6201

Marisco 2¾" (7.0 cm)

Bechamel 7200
Stationery 7201

Price Group B: Glessner 2" (5.1 cm), Glessner 3" (7.7 cm), Roslin, Winchester

Height up to inches (cm) ↓	Width up to inches (cm) →												
	24 (61.0)	32 (81.3)	36 (91.5)	42 (106.7)	48 (122.0)	54 (137.2)	60 (152.4)	66 (167.7)	72 (182.9)	78 (198.2)	84 (213.4)	96 (243.9)	102 (259.1)
36 (91.5)	\$550	611	683	748	813	879	940	1010	1146	1242	1277	1405	1489
42 (106.7)	576	654	719	794	861	937	1010	1079	1218	1320	1360	1500	1590
48 (122.0)	609	686	764	837	917	993	1078	1156	1298	1407	1444	1599	1715
54 (137.2)	628	717	801	887	972	1055	1143	1235	1374	1488	1532	1707	1834
60 (152.4)	656	756	844	932	1018	1114	1211	1306	1439	1560	1628	1816	1962
66 (167.7)	670	787	886	979	1079	1180	1287	1386	1519	1645	1727	1931	2066
72 (182.9)	719	822	925	1025	1134	1246	1359	1465	1622	1757	1818	2040	2146
78 (198.2)	736	851	960	1067	1181	1299	1415	1536	1695	1837	1934	2165	2322
84 (213.4)	769	886	996	1120	1241	1363	1496	1617	1781	1930	2038	2282	2444
96 (243.9)	825	956	1082	1217	1359	1497	1637	1773	1952	2115	2202	2508	2687
110 (279.4)	951	1094	1238	1394	1533	1674	1862	2042	2179	2360	2471	2756	2929

Size availability is based on fabric. See minimum and maximum charts for specific sizes.

Colors

Glessner 2" (5.1 cm)

Apple Blossom 5108
Bechamel 5123
Cavalry 5117
Downtown 5124
Glacial 5100
Lemongrass 5116
Limestone 5111
Macchiato 5112
Merlot 5102
Portico 5101
Rodeo Drive 5118
Sable 5103
Sandstone 5121
Stationery 5125
Vellum 5122

Glessner 3" (7.7 cm)

Apple Blossom 6108
Bechamel 6123
Cavalry 6117
Downtown 6124
Glacial 6100
Lemongrass 6116
Limestone 6111
Macchiato 6112
Merlot 6102
Portico 6101
Rodeo Drive 6118
Sable 6103
Sandstone 6121
Stationery 6125
Vellum 6122

Roslin

Bechamel 7246
Sandstone 7245
Stationery 7247

Winchester

Bechamel 7261
Rodeo Drive 7262
Stationery 7260

Price Charts

Price Group C: Glessner Woven 2" (5.1 cm), Glessner Woven 3" (7.7 cm), San Simeon 3" (7.7 cm), Winchester Woven

Height up to inches (cm) ↓	Width up to inches (cm) →												
	24 (61.0)	32 (81.3)	36 (91.5)	42 (106.7)	48 (122.0)	54 (137.2)	60 (152.4)	66 (167.7)	72 (182.9)	78 (198.2)	84 (213.4)	96 (243.9)	102 (259.1)
36 (91.5)	\$601	670	749	818	888	964	1030	1105	1255	1360	1404	1542	1632
42 (106.7)	628	715	787	864	944	1025	1105	1180	1343	1456	1494	1649	1744
48 (122.0)	660	749	833	917	1005	1089	1178	1264	1420	1538	1586	1751	1883
54 (137.2)	687	785	879	973	1058	1156	1247	1349	1501	1627	1682	1875	2011
60 (152.4)	720	822	924	1022	1114	1222	1331	1437	1582	1714	1783	1997	2154
66 (167.7)	736	858	972	1078	1180	1294	1412	1527	1664	1802	1893	2122	2264
72 (182.9)	787	900	1016	1122	1242	1373	1491	1611	1776	1924	2001	2235	2356
78 (198.2)	813	929	1051	1170	1294	1431	1559	1688	1863	2018	2130	2381	2550
84 (213.4)	844	972	1090	1225	1361	1499	1641	1773	1957	2121	2234	2507	2686
96 (243.9)	907	1043	1181	1333	1491	1642	1791	1947	2138	2316	2423	2755	2950
110 (279.4)	1042	1196	1359	1529	1687	1842	2042	2243	2397	2597	2716	3029	3216

Colors

Glessner Woven 2" (5.1 cm)	Glessner Woven 3" (7.7 cm)	San Simeon 3" (7.7 cm)	Winchester Woven
Bamboo 5181	Bamboo 6181	Adirondack 7224	Champagne 7264
Champagne 5183	Champagne 6183	Everglades 7220	Everglades 7266
Silver Mine 5182	Silver Mine 6182	Sandstone 7221	Silver Mine 7265
		Silver Mine 7223	
		Stationery 7225	
		Vellum 7222	

Price Group D: Glessner Sheen 2" (5.1 cm), Glessner Sheen 3" (7.7 cm), Winchester Sheen

Height up to inches (cm) ↓	Width up to inches (cm) →												
	24 (61.0)	32 (81.3)	36 (91.5)	42 (106.7)	48 (122.0)	54 (137.2)	60 (152.4)	66 (167.7)	72 (182.9)	78 (198.2)	84 (213.4)	96 (243.9)	102 (259.1)
36 (91.5)	\$656	730	818	896	973	1055	1127	1211	1377	1492	1540	1690	1789
42 (106.7)	689	781	861	953	1036	1122	1211	1293	1470	1592	1641	1807	1916
48 (122.0)	721	819	914	1005	1101	1191	1290	1384	1558	1687	1741	1926	2068
54 (137.2)	751	859	964	1065	1160	1264	1372	1478	1650	1788	1847	2060	2209
60 (152.4)	787	902	1011	1119	1222	1339	1460	1578	1735	1880	1954	2191	2363
66 (167.7)	802	942	1062	1178	1293	1419	1549	1673	1829	1981	2079	2327	2489
72 (182.9)	861	984	1112	1234	1362	1502	1637	1767	1952	2115	2196	2454	2585
78 (198.2)	890	1016	1152	1283	1420	1569	1704	1849	2043	2213	2337	2615	2801
84 (213.4)	1017	1160	1301	1458	1599	1736	1901	2068	2308	2501	2592	2867	3064
96 (243.9)	1089	1242	1404	1570	1726	1880	2059	2241	2492	2700	2764	3109	3336
110 (279.4)	1248	1427	1621	1807	1961	2119	2352	2557	2791	3023	3103	3424	3638

Size availability is based on fabric. See minimum and maximum charts for specific sizes.

Colors

Glessner Sheen 2" (5.1 cm)	Glessner Sheen 3" (7.7 cm)	Winchester Sheen
Bubbly 5161	Bubbly 6161	Limousine 7301
Limousine 5162	Limousine 6162	Soiree 7302
Soiree 5163	Soiree 6163	Sunset Strip 7300

Options Pricing

Options Pricing

Option	Surcharge
Bay and Corner Window Shades	No charge
Bottomrail Color	No charge
Continuous-Loop Lift	No charge
Fabric-Wrapped Cassette	Standard—no charge
Motorized Lift	See motorization price list for information
Projection Brackets	No charge
Wood Cornice and Valance	See cornice and valance price list for information



Graber is a brand of Springs Window Fashions, the Best Experience Company 

Graber and the Graber logo are registered trademarks of Springs Window Fashions, LLC.

19-0691-01 (07/17) 17-5472|S17-5160