

VERTICAL BLINDS

TABLE OF CONTENTS

BLIND FEATURES AND SIZE CONSIDERATIONS	
Summary	2
Louver Styles and Information: Fabric Vertical Blinds	2
Louver Styles and Information: Vinyl Vertical Blinds	2
Blind Features and Information: Sheer Verticals	3
Light Control Levels: Definitions	3
Oeko-Tex Standard and Greenguard Certified Fabric	3
Size Considerations	3
Louver Features	4
Size Considerations	5
BLIND OPTIONS	
Blind Options: Summary	6
Verticals and Sheer Verticals: Control Options	7
Vertical Blinds: Headrail System Options	8
Verticals and Sheer Verticals: Stacking Options and Installation Types	9
Vertical Blinds: Cut-out Blinds, Bottom Chain	10
Vertical Blinds: Stay Clear™ Channel Panel for Fabric Louvers, Mixed Louvers	11
Verticals and Sheer Verticals: Paired Blinds	11
Verticals and Sheer Verticals: Louver Replacement Ordering Information	11
Sheer Verticals: Hem Style and Cut Yardage	12
Verticals and Sheer Verticals: Valance Options	13
Verticals and Sheer Verticals: Bay and Corner Windows	14
Vertical Blinds: Specialty Shapes: Curved Headrail	15
Vertical Blinds: Specialty Shapes: Angled Window	16
GENERAL INFORMATION	
Installation Hardware and Mounting Bracket Information	17
Verticals and Sheer Verticals: How to Measure for Clear Opening	18
Louver Stacking Chart: G-71 Super-Vue®	18
Louver Stacking Chart: G-98 Ultra-Vue™ and G-85 Dura-Vue®	19
Louver Stacking Chart: One Touch Control for G-71 Super-Vue, G-98 Ultra-Vue and G-85 Dura-Vue	20
Sheer Vertical Stacking Charts	21
Sheer Verticals: Louver Color Coordination Chart	22
G-71 Super-Vue Product Detail	23
G-98 Ultra-Vue Product Detail	24
G-85 Dura-Vue Product Detail	25
Sheer Vertical: G-71 Product Detail	26
PRICING	
Price Group A: Vinyl: Crown	
Vinyl Embossed: Grotto	27
Price Group B: Vinyl Embossed: Stowe	28
Price Group C: Fabric: Bentley, Huntley, Lucia, Regency	
Vinyl Crown Embossed: Cachet, Decatur Sculptured, Homespun II, Lake Forest	
Vinyl S-Shaped: Arizona, Laurel, Linen, Quantum	29
Price Group D: Fabric: Avanti, Brighton, Grasses, Sheffield	
Vinyl Crown Embossed: Georgetown, Rapture, Satin Stripe	30
Price Group E: Fabric: Devon, Strings, Tahiti Weave	
Vinyl Crown Embossed: Chenille, Limestone, Nueva, Parallels	
Vinyl S-Shaped: Swirls	31
Price Group F: Fabric: Crossweave, Edinburgh, London Tweed, Phifer 2390, Phifer 2410	
Vinyl Crown Embossed: Safari	32
Price Group G: 3½" Stay-Clear™ Channel Panel Only	33
Price Group H: Sheer Verticals: Batiste, Voile	34
Price Group I: Sheer Verticals: Dijon, Florence	34
Options Pricing	35
Replacement Pricing: Headrail, Fabric and Valances	36

Blind Features: Vertical Blinds

- Choose from a variety of fabric, crown or S-shaped vinyl louvers
- S-shaped louvers feature a rolling drapery look
- Fabric louvers can be free hanging or inserted into channel panel for more light control and privacy
- Many vinyl styles coordinate with Graber® 2" Vinyl Horizontal Blinds
- Several fabric styles coordinate with Graber FashionPleat®, Fresco® Roman, or LightWeaves® Solar and Roller shades

LOUVER STYLES AND INFORMATION: VERTICAL BLINDS

COLLECTION	PRICE CHART	FABRIC CONTENT	LIGHT CONTROL	LOUVER STYLE	STREETSIDE APPEARANCE	NFPA 701 (Flame Resistance Test)	COORDINATES
FABRIC							
Avanti	D	100% Polyester	LF	FH or INS	Same front and back		
Bentley	C	100% Polyester	LF	FH or INS	Same front and back		
Brighton ^{FR}	D	100% Polyester	LF	FH or INS	Same front and back	Yes	FashionPleat® and EvenPleat®
Crossweave ^Ø	F	100% Polyester	LF	FH or INS	Same front and back		FashionPleat® and EvenPleat®, Fresco® Roman; LightWeaves® Solar and Roller
Devon	E	100% Polyester	LF	FH or INS	Same front and back		
Edinburgh	F	100% Polyester	LF	FN or INS	Same front and back		
Grasses	D	88% Polyester / 7% Cotton / 5% Flax	LF	FH or INS	Neutral		
Huntley	C	100% Polyester	LF	FH or INS	Same front and back		
London Tweed	F	100% Polyester	LF	FH or INS	Neutral		
Lucia	C	100% Polyester	LF	FH or INS	Same front and back		FashionPleat® and EvenPleat®
Phifer 2390 ^{ØΔFR}	F	35%Fiberglass/35% Vinyl over Fiberglass	5% open	FH or INS	Same front and back	Yes	LightWeaves® Solar
Phifer 2410 ^{ØΔFR}	F	35%Fiberglass/35% Vinyl over Fiberglass	3% open	FH or INS	Same front and back	Yes	LightWeaves® Solar
Regency	C	100% Polyester	LF	FH or INS	Same front and back		
Sheffield	D	100% Polyester	LF	FH or INS	Same front and back		LightWeaves® Roller
Strings	E	100% Rayon	LF	FH	Same front and back		
Tahiti Weave	E	50% Polyester or 50% Polypropylene	LF	FH or INS	Neutral		
S-SHAPED VINYL							
Arizona	C	100% Vinyl	RD	S-Shaped	Neutral	Yes	2" Vinyl
Laurel	C	100% Vinyl	RD	S-Shaped	Neutral	Yes	
Linen	C	100% Vinyl	RD	S-Shaped	Neutral	Yes	2" Vinyl
Quantum	C	100% Vinyl	RD	S-Shaped	Neutral	Yes	2" Vinyl
Swirls	E	100% Vinyl	RD	S-Shaped	Neutral	Yes	2" Vinyl
CROWN VINYL							
Cachet	C	100% Vinyl	RD	Crown	Neutral	Yes	2" Vinyl
Channel Panel	G	100% Vinyl	RD	Crown	Neutral		
Chenille	E	100% Vinyl	RD	Crown	Neutral	Yes	
Crown	A	100% Vinyl	RD	Crown	Neutral	Yes	2" Vinyl
Decatur Sculptured	C	100% Vinyl	RD	Crown	Neutral	Yes	2" Vinyl
Georgetown	D	100% Vinyl	RD	Crown	Neutral	Yes	
Grotto	A	100% Vinyl	RD	Crown	Neutral	Yes	
Homespun II	C	100% Vinyl	RD	Crown	Neutral	Yes	2" Vinyl
Lake Forest	C	100% Vinyl	RD	Crown	Neutral	Yes	Lake Forest™ Faux Wood
Limestone	E	100% Vinyl	RD	Crown	Neutral	Yes	2" Vinyl
Nueva	E	100% Vinyl	RD	Crown	Neutral	Yes	2" Vinyl
Parallels	E	100% Vinyl	RD	Crown	Neutral	Yes	
Rapture	D	100% Vinyl	RD	Crown	Neutral	Yes	2" Vinyl
Safari	F	100% Vinyl	RD	Crown	Neutral	Yes	2" Vinyl
Satin Stripe	D	100% Vinyl	RD	Crown	Neutral	Yes	
Stowe	B	100% Vinyl	RD	Crown	Neutral	Yes	

Ø Oeko-Tex fabric (see page 3)

Δ Greenguard fabric (see page 3)

FR Flame resistant NFPA 701 (see page 3)

FH Free hanging fabric

INS Fabric inserted into channel panel

LF = Light filtering

RD = Room darkening

Blind Features: Sheer Verticals

Sheer Vertical blinds combine the soft look of sheer fabric draperies and the light control benefits of vinyl vertical blinds. When the louvers are open, softly diffused light streams into the room through sheer fabric for minimal privacy and light control; when closed, light is blocked from entering the room to provide maximum privacy and light control. Not only for patio doors, Sheer Vertical also looks beautiful on wider or uniquely shaped windows. Plus, Sheer Vertical fabrics are easily removed and machine washable.

- Fabric easily installed and removed - no need to take down entire blind
- Easily replace original fabric with different style or color when décor changes
- Fabric is machine washable
- Color-coordinated thread for a finished appearance
- Heavy-duty aluminum headrail with steel pantograph system ensures smooth operation, and proportional spacing of louvers
- Available as both inside and outside mount
- Cord and chain control only
- Stems are removable for easy replacement in the home

STYLES, FABRIC CONTENT AND LIGHT CONTROL

COLLECTION	PRICE CHART	FABRIC CONTENT	LIGHT CONTROL	Free Hang or Insert
SHEER VERTICAL				
Batiste	A	100% Polyester	Sheer to Room Darkening	FH
Dijon	B	100% Polyester	Sheer to Room Darkening	FH
Florence	B	100% Polyester	Sheer to Room Darkening	FH
Voile	A	100% Polyester	Sheer to Room Darkening	FH

LIGHT CONTROL LEVELS

Light Filtering: Light is filtered to varying degrees depending on fabric style and color; silhouettes of objects and people are visible through the shade.

Openness: The amount of UV ray blockage is the inverse of a fabric's openness factor (i.e., a fabric with 5% openness blocks 95% of UV rays).

Room Darkening: Light is substantially blocked; vague shadows of objects or people may be visible; maximum room darkening is achieved with darker colors.

OEKO-TEX STANDARD 100 CERTIFIED FABRICS

Oeko-Tex Standard 100 certifies that our fabrics are free of PVC, halogen, lead, formaldehyde, allergenic dyes, pesticides, phenols, heavy metals and meet all VOC content limits.



GREENGUARD INDOOR AIR QUALITY CERTIFIED® FABRICS

Many Graber fabrics have been certified by GREENGUARD Environmental Institute (GEI) to be low chemical and particle emitting fabrics, providing a healthier indoor air quality. The process used for certification complies with established indoor air quality standards and is performed by a third party lab.

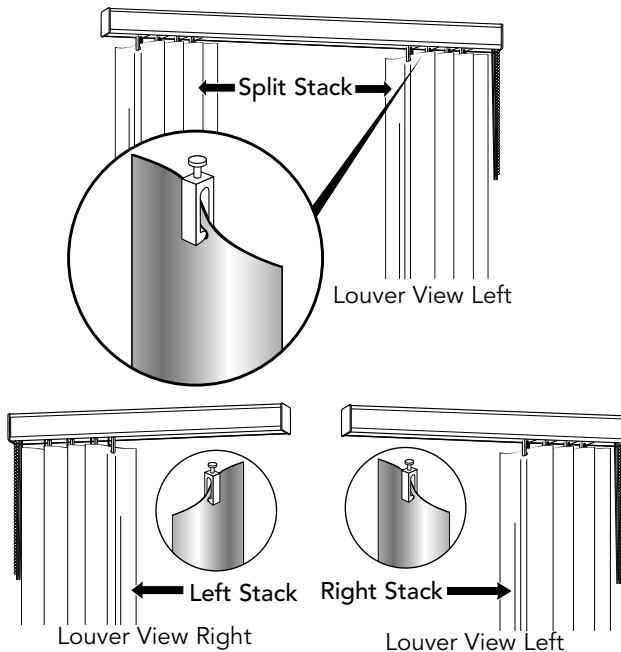
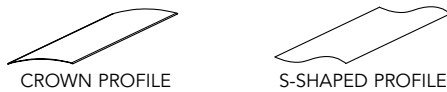


NFPA 701

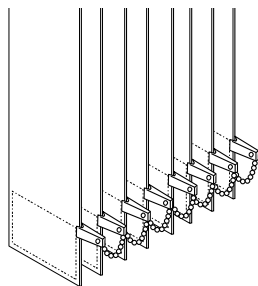
NFPA 701 Flame resistance test is the standard method of fire tests for flame propagation of textiles and films by the National Fire Protection Agency.

Blind Features: Vertical Blinds

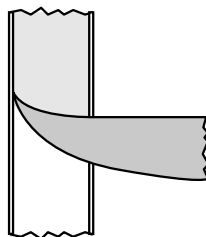
LOUVER FEATURES



Louver view: Side the color or texture is facing when louvers are rotated open so you can see through the louvers to the street.



FREE HANGING FABRIC WITH
BOTTOM CHAIN AND CLIPS



LOUVER MATERIAL
INSERTED IN
CHANNEL PANEL

Vinyl Styles

- All vinyl louvers offer value, durability, easy cleaning and superior light control.
- Choose from embossed crown, smooth crown or S-shaped embossed vinyl louvers.
- Embossed textures offered in solids or prints with the look of jacquard or linen fabrics, wood or stucco.
- Coordinating 2" Horizontal Vinyl blinds available for many styles. For pricing on 2" Horizontal Vinyl, see the Graber® 2" Horizontal Vinyl Price List

Vinyl Crown Louvers

- Traditional curved louvers.

Vinyl S-shaped Louvers

- Provide a more drapery like look to your vertical blind.
- Provide better closure for more light control and privacy.
- Valances are made with Crown PVC of the same texture and color. Dye lot cannot be guaranteed.
- S-Shaped louvers are NOT reversible. Louver View shows which side the color/texture is facing when louvers are rotated open so you can see out the window.
 - Right Stack and Split Stack – Left
 - Left Stack – Right
- You may choose a louver view other than the recommended if you are concerned about which side of the louver you will see when blinds are rotated open.
- For Paired, Bay and Corner Blinds, the same Louver View is recommended for all blinds.

See illustrations on how S-shaped louvers will hang.

Fabric Louvers

- Designer fabric louver styles range from sheer to room darkening in a variety of weaves and materials
- Free-hanging louvers come with sewn-in bottom weights and optional chain and clips.
- For increased privacy and room darkening, fabric louvers can be inserted into Channel Panels. The clear edge channels hold fabric securely and will not yellow over time. The opaque vinyl louvers provide additional privacy and light control. See Price Chart G for replacement pricing.
- Coordinating Graber Pleated, Roman, Solar and Roller shade fabric and Graber Sliding Panels are available for selected styles.
- Available in 3½" fabric styles.

Additional Information

1. Due to the nature of louver materials (both fabric and vinyl prints), colors may vary slightly from dye lot to dye lot. Exact matches cannot be guaranteed.
2. Due to the random design of some louver patterns, exact alignment of the pattern across the blind is not possible.

Size Considerations

SIZE CONSIDERATIONS: VERTICAL BLINDS

	WIDTH			HEIGHT	
	Min Single Stack	Min Split Stack	Max	Min	Max
G-71 Super-Vue®	9"	12"	191"	12"	192"
G-98 Ultra-Vue™	9"	17"	191"	12"	192"
G-85 Dura-Vue®	9"	12"	178¾"	12"	144"
One Touch®	9"	N/A	144"	12"	96"


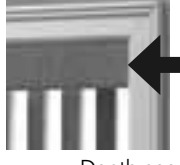
One Touch Control: 10,080 sq. in. maximum overall size
 Minimum wand length is 33"

Factory Deductions

Mount	Mount Bracket Location	Valance	Height Deduction G-71	Height Deduction G-98	Height Deduction G-85
Outside	All types	Yes/No	0"	0"	0"
Inside	Ceiling or Top	No	⅝"	½"	½"
Inside	Ceiling or Top	Yes	¾"	⅝"	½"
Inside	Wall or Back	No	1⅛"	⅞"	⅞"
Inside	Wall or Back	Yes	1⅞"	1⅞"	1⅞"

Mount	Width Deductions
Outside	0"
Inside	¼"





DEPTH REQUIREMENTS FOR INSIDE MOUNT

	Headrail Dimensions	 Partially recessed headrail in window casing/molding Minimum Depth Mount	Headrail Flush with Casing (Louvers and/or Valance not flush with casing)	Depth needed for Flush Mount Louver	 Fully recessed valance in window casing/molding Depth needed for Flush Mount Louver
G-71 Super-Vue	1⅜" x 1⅛"	2⅝"	3"	3¾"	4⅝"
G-98 Ultra-Vue	1⅞" x 1⅜"		2⅞"		
G-85 Dura-Vue	1⅞" x 1½"		2¾"		

SIZE CONSIDERATIONS: SHEER VERTICALS

	WIDTH		HEIGHT	
	Min	Max	Min	Max
Sheer Verticals	17"	191"	19"	104"

DEPTH REQUIREMENTS FOR INSIDE MOUNT

 Minimum Depth Partially recessed Mount	 Depth needed for Flush Mount Headrail	 Depth needed for Flush Mount Louver	 Depth needed for Flush Mount Valance
3⅞"	4⅞"	5⅞"	7"

Partially Recessed: A partially recessed window treatment is where the depth of the window casing is less than the space necessary for a flush mount.

Flush Mount: If the window casing is deep enough to mount the entire blind inside of it, this is called a flush mount.

Blind Options

BLIND OPTIONS: FOR SURCHARGES AND PRICING REFER TO PRICING SECTION

The following is a list of options for Vertical and Sheer Vertical Blinds. All options are available in all styles and colors. Limitations will be based on fabric width. See detailed descriptions on the following pages.

VERTICAL BLINDS

Control Type Options – No Charge

- Standard Cord and Chain Controls
- One Touch® Control

Shade Options – No Charge

- Bay and Corner Windows
- Paired Blinds
- Projection Bracket: 4 $\frac{3}{8}$ "
- Stay Clear™ Channel Panels

Shade Options – Surcharge

- Bottom Chain & Clips (Fabric)
- Bottom Chain (Vinyl)
- Cut-outs
- Round-corner Valance
- Double Round-corner Valance
- Square-corner Valance
- Wood Cornices and Valances (see Cornices and Valance tab)

Specialty Shade Options: see Options Pricing for pricing and/or surcharges

- Angled Top
- Curved Headrail

SHEER VERTICAL BLINDS

Control Type Options – No Charge

- Standard Cord and Chain Controls

Shade Options – No Charge

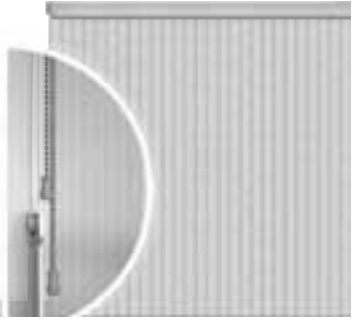
- Bay and Corner Windows
- Dauphine® Valance
- Paired Blinds

Shade Options – Surcharge

- Wood Cornices and Valances (see Cornices and Valance tab)

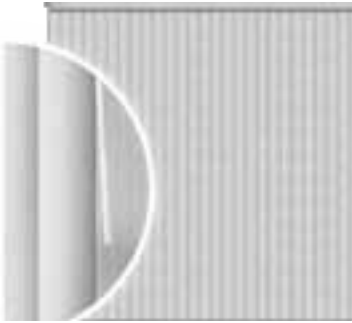
Blind Options

VERTICAL BLINDS: CONTROL OPTIONS



• **Cord and Chain – Standard**

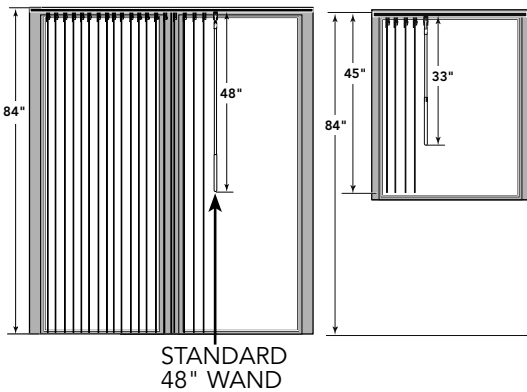
- **No charge**
- Cord controls louver traverse
- Chain controls louver rotation



• **One Touch® Wand Control**

- **No charge**
- A slender wand controls louver rotation and traversing
- Simple, convenient, safe (no cords and chains)
- Recommended for homes with children or pets
- Available with single stack only; no split stack or opposite stack
- Wand is always attached to leading louver

WIDTH		HEIGHT	
Minimum	Maximum	Minimum	Maximum
9"	144"	12"*	96"
Maximum overall size: 10,080 sq. in. (w x h)			



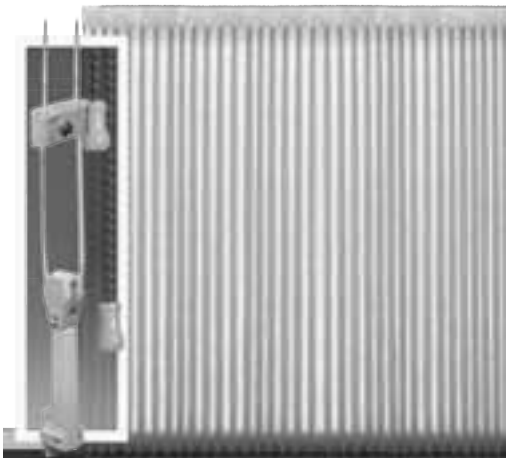
Wand Sizes

Keep in mind that the wand length is determined by the **finished blind height**. If the vertical blind covers a patio door or the bottom of the vertical blind reaches the floor, the following chart indicates wand length. If the headrail distance from the floor is greater than 77" or there is any furniture in front of the blind, specify a 48" or 60" wand for easy accessibility.

Blind Height	Wand Height
77" or less*	33"
77½" to 92"	48"
92½" to 114"	60"

*If blind is less than 35", wand will be longer than louvers. The standard cord and chain control is recommended.

SHEER VERTICAL BLINDS: CONTROLS



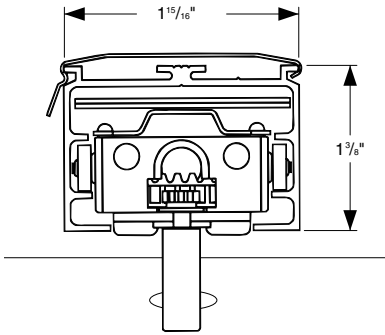
• **Cord and Chain – Standard**

- **No charge**
- Cord controls louver traverse
- Chain controls louver rotation

Blind Options

VERTICAL BLINDS: HEADRAIL SYSTEM OPTIONS

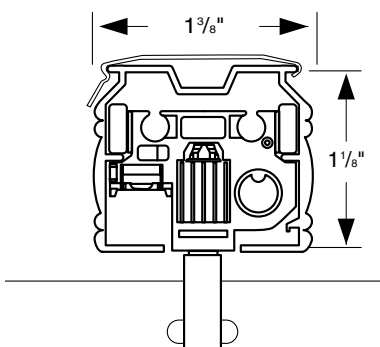
G-71 SUPER-VUE



G-71 Super-Vue®

The top-of-the-line G-71 Super-Vue features the patented pantograph traversing system to assure proportional spacing of louvers when closed. G-71 Super-Vue is available in a smooth, anodized aluminum channel. Ball bearing pulleys in the control mechanism and thermoplastic self-lubricating wheels on every carriage allow for smooth traversing louvers. Clear stems provide a sleek appearance with both fabrics and vinyl louvers. E-Z Open, available only on the G-71 headrail, automatically rotates the louvers when the cord is pulled to traverse the blind.

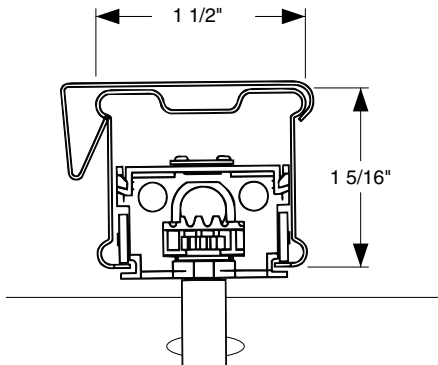
G-98 ULTRA-VUE



G-98 Ultra-Vue™

The anodized aluminum Ultra-Vue headrail system traverses louvers smoothly through the consecutive action of stainless steel pick-up tails. Ultra-Vue carriers are wheeled for smooth traversing and are self-aligning.

G-85 DURA-VUE



G-85 Dura-Vue®

Dura-Vue headrails traverse louvers smoothly with a thermoplastic strap system. Dura-Vue steel headrail is offered in an ivory painted finish. Dura-Vue carriers are wheeled for smooth traversing.

The design of all Graber® headrails allows for reversible installation, providing versatile placement of controls on either the left or right.

Blind Options

VERTICALS AND SHEER VERTICAL BLINDS: STACKING OPTIONS



Split Stack
Left Controls
(Right controls
available)



Left Stack
Same Side
Stack and
Controls



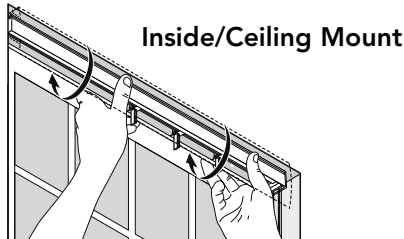
Right Stack
Same Side
Stack and
Controls



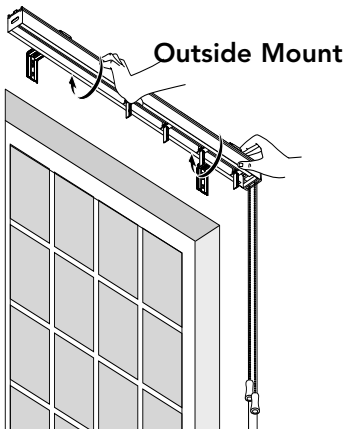
Opposite Stack
and Controls

VERTICALS ONLY: There is a surcharge for Center/Uneven Stack and Opposite Stack.
Center/Uneven Stack available on G-71 Super-Vue® Headrails for blinds with louvers only.

VERTICALS AND SHEER VERTICAL BLINDS: INSTALLATION TYPES



Inside/Ceiling Mount



Outside Mount

1. Inside Mount – Ceiling or Top of Window Frame (Standard)

Manufacturing height deduction is taken for blinds being installed as inside, ceiling mount with or without a valance.

2. Inside Mount – Wall or Back of Window Frame

Manufacturing height deduction is taken for blinds being installed as inside mount using the L-bracket for a wall mount. An additional manufacturing height deduction is taken if a valance is included, to accommodate the height of the Dauphine Valance bracket.

3. Outside Mount – Wall or Back (Standard)

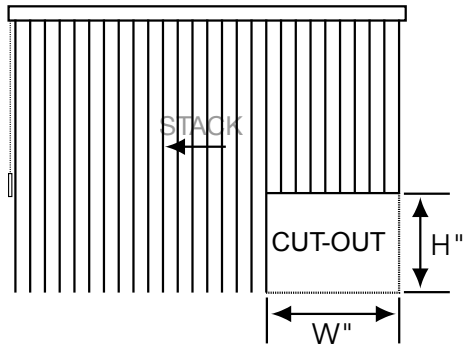
No manufacturing height deduction is taken.

4. Outside Mount – Ceiling or Top (Option)

No manufacturing height deduction taken.

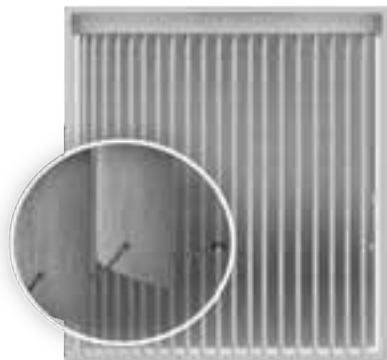
Blind Options

VERTICAL BLINDS: CUT-OUT BLINDS



- For surcharges, see Options Pricing
- Order when air conditioner, heating register or other object would interfere with louvers
- Blind must stack away from cut-out area
- Specify size and base price by maximum width and height of blind
- Submit drawing to identify size and location of cut-out (see example)
- Minimum cut-out width 3½"
- Cut-out must be a full louver width (3½"); therefore may be wider than ordered
- Not available with bottom chain

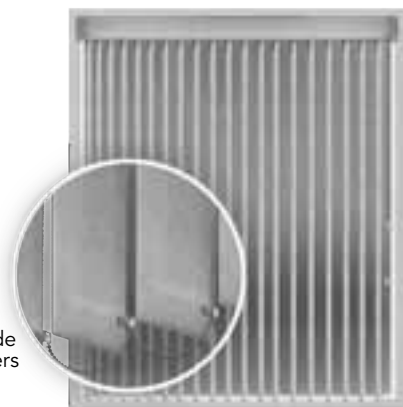
VERTICAL BLINDS: BOTTOM CHAIN



**BOTTOM CHAIN
VINYL LOUVERS**
Must be requested at time of order.

- For surcharges, see Options Pricing
- Optional, must be requested at time of order
- Not available with Channel Panel, S-shaped Louvers, Angle Top or Cut-out blinds

Louver Style	Standard/Option	Description
Fabric	Standard	3-sided sewn-in weight
	Option	Single nickel-plated chain at back of louvers with clips
Vinyl	Standard	No bottom chain
	Option	Single nickel-plated chain in the middle of the louvers
Channel Panel	Standard	No bottom weights or chain

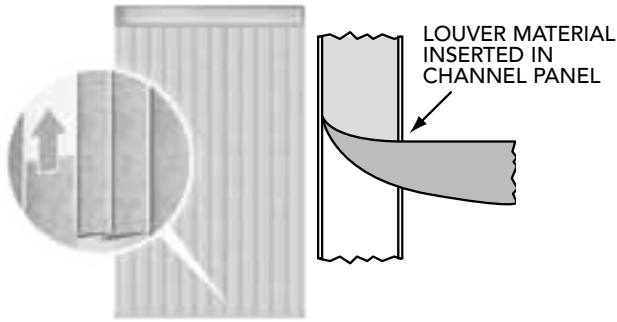


Back side of louvers shown

**BOTTOM CHAIN AND CLIP
FABRIC LOUVERS**
Free hang only.

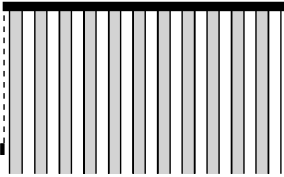
Blind Options

VERTICAL BLINDS: STAY CLEAR™ CHANNEL PANEL FOR FABRIC LOUVERS



- Use "Insert" (INS) pricing on price charts
- Replacement Channel Panel pricing, see Price Chart G
- Louver material inserted into extruded Channel Panel with clear edges; see Blind Features for fabric styles available
- Offers improved privacy, room darkening and a neutral color appearance from exterior of window
- Channel Panel colors are: Ivory (#7137) or White (#7136)
- Not available with bottom chain

VERTICAL BLINDS: MIXED LOUVERS



- For mixed colors of same louver material, add 10% to base price
- For mixed louver materials, add 10% to base price of highest price group
- Must indicate valance color at time of order

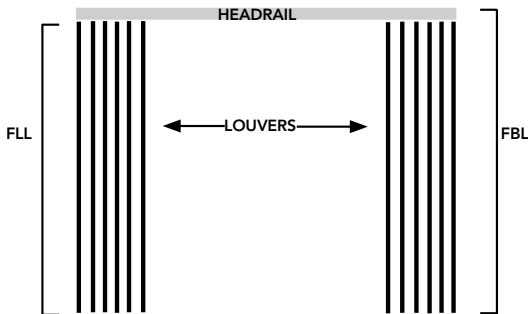
VERTICALS AND SHEER VERTICAL BLINDS: PAIRED BLINDS



- Price as two separate blinds
- The appearance of a Split Stack blind can be achieved by pairing blinds; the center opening point can be either on center or off center
- Paired Blinds can also be used when the required width is larger than the maximum width available for a single blind
- Specify Paired Blinds on your order
- Control locations must be same as stack
- Recommend ordered as left/left and right/right
- Square-corner Valance with dust cover only
- Available with one-way cord and chain only

VERTICALS AND SHEER VERTICAL BLINDS: REPLACEMENT LOUVER ORDERING

See the column at the far right of each price chart, for individual louver pricing based on material desired.



How to Price a Replacement Louver

- Use the Price Charts for individual louver pricing
- Determine which chart based on material desired
- Locate height of your louver on the left side of the chart
- Use the price on the right side of chart that coincides with the height of Louver desired

How to Measure a Replacement Existing Louver, No Changes

- Measure the louver(s) from tip to tip to determine the exact finished louver length/height (FLL)
- No additional deductions will be taken by manufacturing; louvers will be manufactured to the exact size you provide
- Submit the measurement as exact height

How to Measure a Replacement Existing Louver, Changing the Height of the Louvers

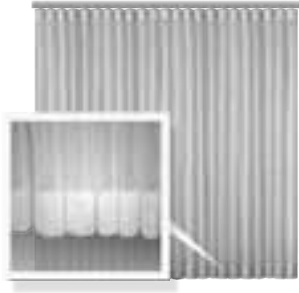
- Measure from top of mounted headrail to bottom of location to be covered
- Record this measurement; this is the Finished Blind Length/Height (FBL)
- Manufacturing will take appropriate deduction so Louvers will cover desired area

NOTE:

- Free hang fabric louvers include bottom weights
- Bottom chains for vinyl louvers are optional; must be specified at time of order

Blind Options

SHEER VERTICAL BLINDS: HEM STYLE



- 4" Drapery Hem is Standard

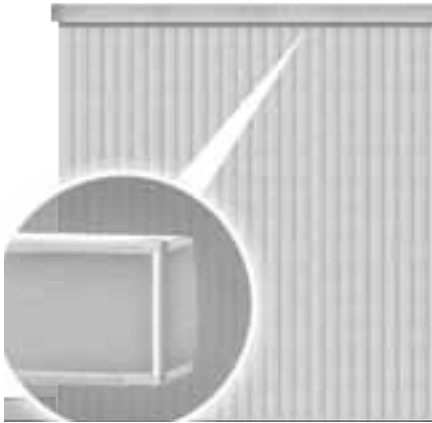
SHEER VERTICAL BLINDS: CUT YARDAGE



- **For pricing, see Options Pricing**
- Create matching soft window treatments, scarves, swags or toppers
- All fabrics are available by the yard (1 yard minimum) and are 117" wide
- Cut yardage fabric may not be an exact match due to dye lot variations
- Cut yardage fabric may need to be ironed when received using low temperature setting
- Cut yardage is provided as is; there is no warranty regarding suitability in desired application; not recommended for upholstery; edges are not finished

Blind Options

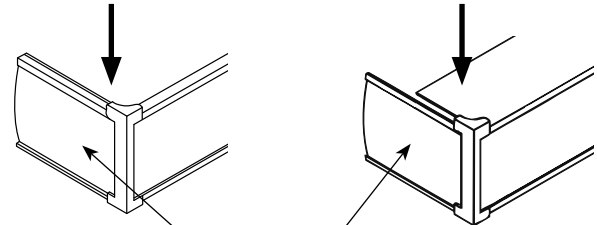
VERTICAL BLINDS: SQUARE-CORNER VALANCE



- For surcharge, see Price Charts
- The Square-corner Valance is an extruded vinyl Stay-Clear™ Channel Panel, which is sized to hold 3½" wide louver material; it includes two 5½" returns
- Valances greater than 192" must have a dust cover

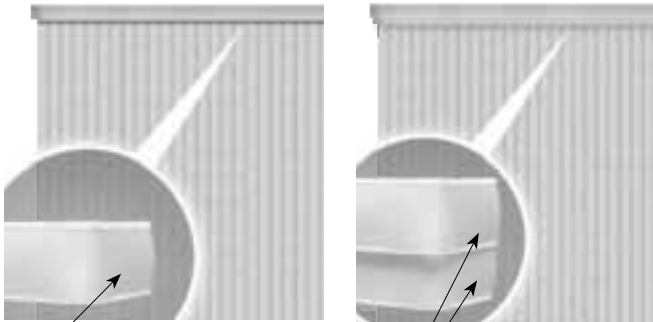
Square-corner Valance without Dust Cover

Square-corner Valance with Dust Cover



5½" Returns

VERTICAL BLINDS: ROUND-CORNER VALANCE



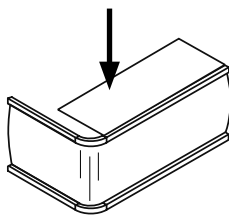
5½" RETURN

Round-corner Valance

5½" RETURN
4½" RETURN

Double Round-corner Valance

Round-corner Valance with Dust Cover



Outside Mount Only

- For surcharge, see Price Charts
- The Round-corner Valance system features the Stay-Clear™ Channel Panel is guaranteed not to yellow; accommodates vinyl and fabric louvers as inserts; S-shaped style louvers use matching crown profile for valance insert
- Create a layered look with a Double Round-corner Valance
- Round and Double Round-corner Valances include 5½" returns

Maximum Valance Size Limitations

	VALANCE		RETURNS	
	Max Vinyl	Max Fabric	Min	Max
Square-corner Valance	191"	191"	3"	8"
Round-corner Valance	175"			
Double Round Corner Valance	175"			

SHEER VERTICAL BLINDS: DAUPHINE® VALANCE



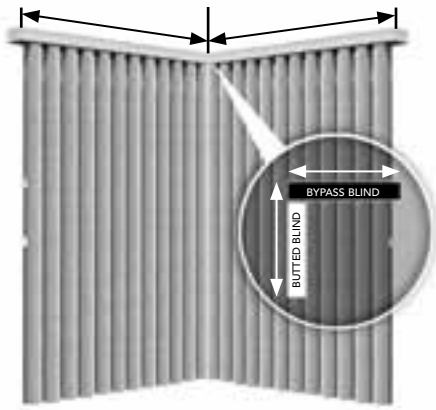
- No charge
- Fabric is Shirred for a soft look
- Snap-in brackets for easy installation
- Threader cap provides no-snag shirring of sheer fabric
- Notched for minimum 2½" returns and will extend to 7½" using the additional return slides which are included

NOTE: Top hem of blind will be visible below the Dauphine Valance.

Also available are Wood Cornices and Valances; see Cornice and Valance Price List for more information.

Blind Options

VERTICAL AND SHEER VERTICAL BLINDS: BAY AND CORNER WINDOWS

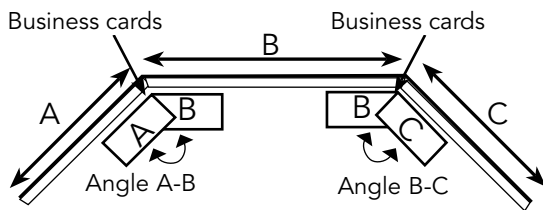


- **No charge**
- Minimal corner gaps
- Square-corner valance with dust cover only
- Chain and cord only
- Each blind is controlled separately
- List each track width and height on separate lines
- Price as separate blinds
- If no deductions are required, do not order as bay or corner

Measuring Information

Corner Window

Measure: Width of each window from corner to the point you would like to cover



Three-sided Bay Window

Measure:

A & C: Width of side windows from the corners to the point you would like the blind to cover.

B: Width of the center window from corner to corner.

Angle A-B: Angle between windows (A) and (B).

Angle B-C: Angle between windows (B) and (C).

Four-sided Bay Window

Measure:

A & D: Width of side windows from the corners to the point you would like the blind to cover.

B & C: Width of each window from corner to corner.

Angle A-B: Angle between windows (A) and (B).

Angle B-C: Angle between windows (B) and (C).

Angle C-D: Angle between windows (C) and (D).

Five-sided Bay Window

Measure:

A & E: Width of side windows from the corners to the point you would like the blind to cover.

B, C & D: Width of each center window from corner to corner.

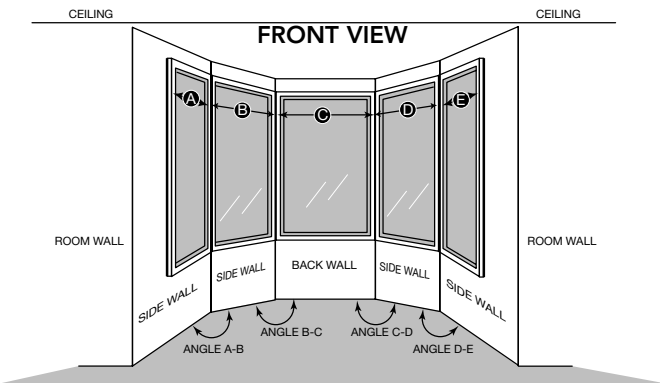
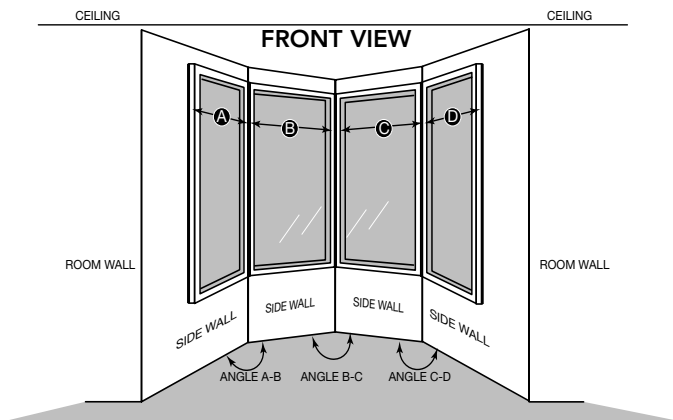
Angle A-B: Angle between windows (A) and (B).

Angle B-C: Angle between windows (B) and (C).

Angle C-D: Angle between windows (C) and (D).

Angle D-E: Angle between windows (D) and (E).

NOTE: Measure bay angle using protractor or angle finder, or use two business cards as illustrated above and fax to customer service.



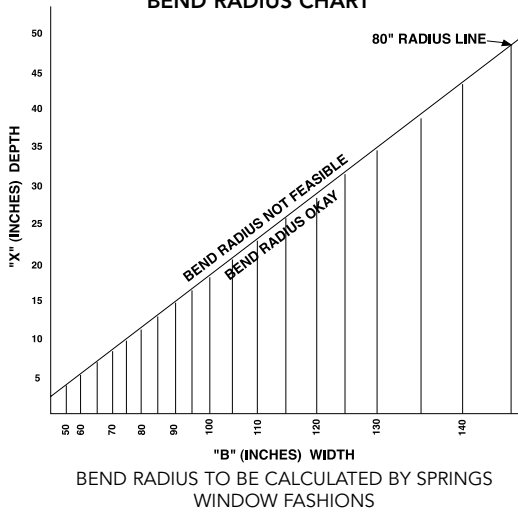
Blind Options

VERTICAL BLINDS: SPECIALTY SHAPES: CURVED HEADRAIL BLINDS



- For surcharges, see Options Pricing
- Minimum width 48" exact
- Maximum width 168"
- See chart for feasibility
- **NOT available with a Valance and Cornice**
- **One Touch® Control not available**

BEND RADIUS CHART



Curved Headrail Bend Radius Chart

Headrail cannot be bent to a radius tighter than 80".

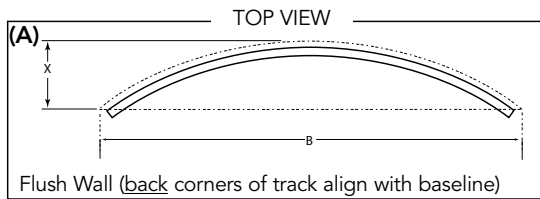
To check your application for bend radius:

1. Determine preferred application - A, B, or C (below).
2. Measure "B" and "X" for your application (diagrams below).
3. On the Bend Radius Chart, draw a line up from your "B" dimension and over from your "X" dimension.
4. If your two lines intersect below the 80" radius line, application is okay. If lines intersect above the 80" radius line, application is not feasible.
5. **Factory will make allowance for louver clearance.**

Note: Depending on bend, separate tracks may be recommended by factory.

CURVED HEADRAIL MEASURING GUIDE

See appropriate window drawing. To ensure a proper fit, fax a diagram to Customer Service.

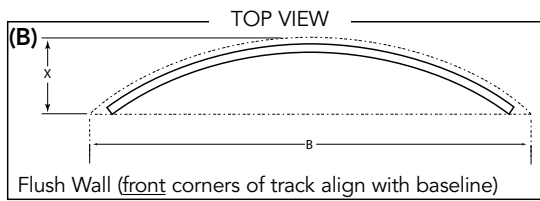


Factory will make allowance for louver clearance.

Measurements should be taken from wall to wall or window to window.

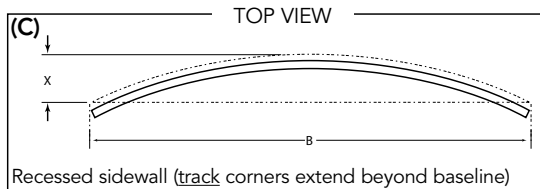
Standard Application (A)

Measure exact window baseline (B) and depth (X). Factory will make deduction for louver clearance. Diagram shows back corner of track sitting on the baseline. **This minimizes light gaps at ends of tracks.**



Optional Application (B)

Measure exact window baseline (B) and depth (X). Indicate that front corners of headrail should be flush with baseline. Factory will make appropriate deductions. Diagram shows front corners of track sitting on the baseline. **This application could leave light gaps at end of track giving visibility to outside.**

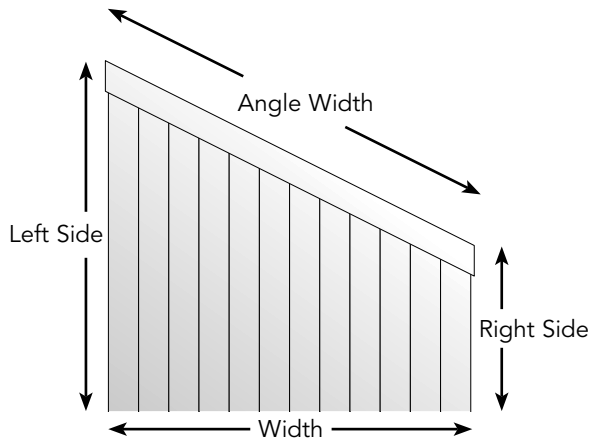


Optional Application (C)

Measure exact window baseline (B) and depth (X). Also indicate recessed wall measurement. Factory will take deductions for louver clearance. Diagram shows track extending beyond the baseline. **This will help cover the side walls to minimize any light gap.**

Blind Options

VERTICAL BLINDS: SPECIALTY SHAPES: ANGLED WINDOW HEADRAIL



- **For surcharges, see Options Pricing**
- Ideal for sloping, cathedral-type windows
- Only available in single stack cord control Vertical blinds
- Louver stack and cord control must be at the highest point of the window
- Exact dimensions must accompany orders to ensure proper fit
- Steepest slope possible is 55°
- Maximum size: 144" wide x 144" long, depending on angle
- Minimum low end is 6"
- Available on G71 Super-Vue® headrail only
- Square-corner valance with dust cover only; must be mitered at time of installation
- E-Z Open™ standard – No Charge
- Bottom Chains are not available

General Information

VERTICAL AND SHEER VERTICAL BLINDS: INSTALLATION HARDWARE

	G-71	G-98	G-85	SHEER VERTICALS	
Track Clip for Inside or Ceiling Mount					Dauphine® Valance Bracket
L-Bracket for Outside or Wall Mount					Dauphine® Valance Bracket
Optional Flat Projection Bracket <small>(Note: Attaches to angle bracket with nut/bolt pairs. Must be requested at time of order.)</small>					

VERTICAL AND SHEER VERTICAL BLINDS: NUMBER OF MOUNTING BRACKETS

Sheer Verticals: Number of Headrail and Dauphine Valance Mounting Brackets

Blind Width	17" - 54"	54½" - 81"	81½" - 108"	108½" - 135"	135½" - 162"	162½" - 191"
No. of Brackets	2	3	4	5	6	7

G-98 Headrail

Blind Width	9-50"	50-90"	91-130"	131-170"	171-191"
No. of Brackets	2	3	4	5	6

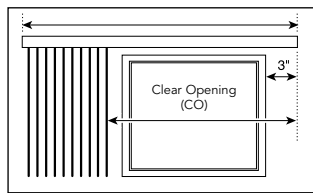
G-71 and G-85 Headrail

Blind Width	9-62"	63-98"	99-134"	135-170"	171-191"
No. of Brackets	2	3	4	5	6

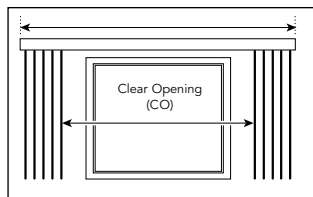
General Information

VERTICAL AND SHEER VERTICAL BLINDS: CLEAR OPENING: HOW TO MEASURE FOR UNCOVERED WINDOW

Stack Left Finished Blind Width (FBW)



Split Stack
(recommended for balanced appearance)
Finished Blind Width (FBW)



1. Determine headrail type and the clear opening width for split stack, stack right or stack left (See diagrams) - the additional 3" shown for privacy is recommended if ordering a right or left stack.
2. Match the clear opening width with dimension found under "CO" column below. For even spacing, round up width measurement to the next size in the stack chart. Split stack will have even number of vanes.
3. Order the corresponding dimension found in the "FBW" (Finished Blind Width) column below.

Example: Stack Left

If determined width for clear opening window view is 54 1/4", order width needed to provide full unobstructed view is 66 3/4".

NOTE: For stack right or stack left blinds add an additional 3" to the clear opening **before** calculating the finished blind width. For G-98 Ultra-Vue™ and G-85 Dura-Vue® headrails, and One Touch® Control, see appropriate Stacking Charts for single stack blinds only on the following pages.

VERTICAL BLINDS: LOUVER STACKING CHART: G-71 SUPER-VUE® 3 1/2"

No. of Louvers	Single Stack		Split Stack	
	CO	FBW	CO	FBW
3	67 1/8	10 1/8		
4	9 1/2	13 3/4	7 1/4	12 1/2
5	12 1/8	16 3/8		
6	14 7/8	19 5/8	12 1/2	18 3/4
7	17 1/2	22 3/4		
8	20 1/8	25 7/8	17 7/8	25 1/8
9	22 3/4	29		
10	25 3/8	32 1/8	23 1/4	31 3/8
11	28 1/8	35 3/8		
12	30 3/4	38 1/2	28 1/2	37 3/4
13	33 3/8	41 1/8		
14	36 1/8	44 3/4	33 3/4	44
15	38 3/4	47 7/8		
16	41 3/8	51	39 1/8	50 1/4
17	44	54 1/4		
18	46 5/8	57 3/8	44 1/2	56 5/8
19	49 3/8	60 1/2		
20	52	63 3/8	49 3/4	62 7/8
21	54 5/8	66 3/4		
22	57 3/8	70	55	69 1/8
23	60	73 1/8		
24	62 5/8	76 1/4	60 3/8	75 1/2
25	65 1/4	79 3/8		
26	67 7/8	82 1/2	65 3/4	81 3/4
27	70 5/8	85 3/4		
28	73 1/4	88 7/8	71	88
29	75 7/8	92		
30	78 5/8	95 1/8	76 1/4	94 3/8
31	81 1/4	98 1/4		
32	83 3/8	101 3/8	81 1/2	100 3/8

No. of Louvers	Single Stack		Split Stack	
	CO	FBW	CO	FBW
33	86 1/2	104 5/8		
34	89 1/8	107 3/4	86 7/8	107
35	91 3/4	110 7/8		
36	94 1/2	114	92 1/8	113 1/4
37	97 1/8	117 1/8		
38	99 3/4	120 3/8	97 3/8	119 1/2
39	102 3/8	123 1/2		
40	105 1/8	126 5/8	102 3/4	125 7/8
41	107 3/4	129 3/4		
42	110 3/8	132 7/8	108 1/8	132 1/8
43	113	136		
44	115 3/4	139 1/4	113 3/8	138 3/8
45	118 3/8	142 3/8		
46	121	145 1/2	118 5/8	144 3/4
47	123 5/8	148 5/8		
48	126 3/8	151 3/4	124	151
49	129	155		
50	131 5/8	158 1/8	129 1/4	157 1/4
51	134 1/4	161 1/4		
52	137	164 3/8	134 5/8	163 3/8
53	139 5/8	167 1/2		
54	142 1/4	170 5/8	139 7/8	169 7/8
55	144 7/8	173 7/8		
56	147 5/8	177	145 1/4	176 1/4
57	150 1/4	180 1/8		
58	152 7/8	183 1/4	150 1/2	182 1/2
59	155 1/2	186 3/8		
60	158 1/4	189 3/8	155 7/8	188 3/4
61	159 1/8	191		
62			157	191

FBW = Finished Blind Width
CO = Clear Opening
STACK = FBW - CO

For even spacing on outside mounts, round up width measurement to the next size in the stack chart. Split stack blinds must have an even number of louvers.

General Information

**VERTICAL BLINDS: LOUVER STACKING CHART:
G-98 ULTRA-VUE™ 3½"**

No. of Louvers	Single Stack		Split Stack	
	CO	FBW	CO	FBW
3	7¼	10¼		
4	10	13¾	8½	13½
5	12⅞	16½		
6	15½	19⅝	14	19¾
7	18¾	22¾		
8	21⅞	25⅞	19½	26
9	23⅞	29		
10	26¾	32⅞	25⅞	32¼
11	29⅞	35⅞		
12	32¼	38¼	30⅝	38¾
13	35	41¾		
14	37¾	44½	36¼	44⅝
15	40½	47⅝		
16	43⅞	50¾	41¾	50⅞
17	46⅞	53⅞		
18	48⅞	57	47⅞	57⅞
19	51⅞	60		
20	54⅞	63⅞	52⅞	63¼
21	57¼	66¼		
22	60	69⅞	58⅞	69½
23	62¾	72½		
24	65½	75⅝	64	75¾
25	68¼	78¾		
26	71⅞	80⅞	69½	82
27	73⅞	85		
28	76⅝	88	75	88⅞
29	79⅞	91⅞		
30	82¼	94¼	80⅝	94¾
31	85	97¾		
32	87¾	100½	86⅞	100⅝
33	90½	103⅞		
34	93¼	106¾	91¾	106⅞
35	96⅞	109⅞		
36	98¾	112⅞	97¼	113
37	101⅞	116		
38	104⅞	119⅞	102⅞	119¼
39	107⅞	122¼		
40	109⅞	125⅞	108⅞	125½
41	112¾	128½		
42	115½	131⅞	113⅞	131¾
43	118¼	134¾		
44	121⅞	137⅞	119½	138
45	123¾	140⅞		
46	126⅞	144	125	144⅞
47	129⅞	147⅞		
48	132⅞	150¼	130⅞	150⅞
49	134⅞	153⅞		
50	137⅞	156½	136⅞	156⅝
51	140½	159⅞		
52	143¼	162¾	141¾	162⅞
53	146	165¾		
54	148¾	168⅞	147¼	169
55	151⅞	172		
56	154⅞	175⅞	152¾	175¼
57	157⅞	178¼		
58	159⅞	181⅞	158¼	181½
59	162⅞	184½		
60	165½	187⅞	163⅞	187¾
61	168⅞	190⅞		
62	168⅞	191	166½	191

**VERTICAL BLINDS: LOUVER STACKING CHART:
G-85 DURA-VUE® 3½"**

No. of Louvers	Single Stack		Split Stack	
	CO	FBW	CO	FBW
3	6⅞	10⅞		
4	9½	13¼	7¼	12½
5	12⅞	16¾		
6	14¾	19½	12½	18¾
7	17¾	22⅞		
8	20	25¾	17¾	25
9	22¾	28⅞		
10	25⅞	32	23	31¼
11	28	35⅞		
12	30⅞	38¼	28⅞	37½
13	33¼	41⅞		
14	35⅞	44½	33⅞	43¾
15	38½	47⅞		
16	41⅞	50¾	38⅞	50
17	43¾	53⅞		
18	46¾	57	44⅞	56¼
19	49	60⅞		
20	51⅞	63¼	49⅞	62½
21	54⅞	66⅞		
22	57	69½	54⅞	68¾
23	59⅞	72⅞		
24	62¼	75¾	60	75
25	64⅞	78⅞		
26	67½	82	65¼	81¼
27	70⅞	85⅞		
28	72¾	88¼	70½	87½
29	75⅞	91⅞		
30	78	94½	75¾	93¾
31	80⅞	97⅞		
32	83¼	100¾	81	100
33	85⅞	103⅞		
34	88½	107	86¼	106¼
35	91⅞	110⅞		
36	93⅞	113¼	91½	112½
37	96½	116⅞		
38	99⅞	119½	96¾	118¾
39	101¾	122⅞		
40	104⅞	125¾	102	125
41	107	128⅞		
42	109⅞	132	107⅞	131¼
43	112¼	135⅞		
44	114⅞	138¼	112⅞	137½
45	117½	141⅞		
46	120⅞	144½	117⅞	143¾
47	122¾	147⅞		
48	125½	150¾	123⅞	150
49	128⅞	153⅞		
50	130¾	157	128⅞	156¼
51	133⅞	160⅞		
52	136	163¼	133⅞	162½
53	138⅞	166⅞		
54	141¼	169½	139	168¾
55	143⅞	172⅞		
56	146½	175¾	144¼	175
57	149⅞	178⅞		
58	151¾	182	149½	181¼
59	154⅞	185⅞		
60	157	188¼	154¾	187½
61	159⅞	191		
62			157¼	191

FBW = Finished Blind Width
CO = Clear Opening
STACK = FBW - CO

General Information

VERTICAL BLINDS: LOUVER STACKING CHART: ONE TOUCH® CONTROL (ALL HEADRAIL STYLES)

G-71 Super-Vue®		
No. of Louvers	Single Stack	
	CO	FBW
3	6½	9¾
4	8¾	12⅞
5	11½	16
6	14⅞	19¼
7	16¾	22⅝
8	19½	25½
9	22⅞	28⅞
10	24¾	31¾
11	27⅝	35
12	30	38⅞
13	32¾	41¼
14	35⅝	44⅞
15	38	47½
16	40⅞	50⅞
17	43⅞	53⅞
18	46	57
19	48⅞	60⅞
20	51⅞	63¼
21	54	66⅞
22	56⅞	69⅞
23	59 ⅝	73⅞
24	62¼	76¼
25	65	79⅞
26	67⅞	82½
27	70¼	85¼
28	73	88⅞
29	75⅞	92
30	78¼	95⅞
31	80⅞	98¼
32	83½	101⅞
33	86¼	104⅞
34	88⅞	107¾
35	91½	110⅞
36	94⅞	114
37	96¾	117⅞
38	99½	120⅞
39	102⅞	123½
40	104¾	126⅞
41	107½	129¾
42	110⅞	132⅞
43	112¾	136
44	115⅞	139¼
45	118	142⅞
46	120¾	145½
47	123⅞	148⅞
48	126	151¾
49	128¾	155
50	129¼	156

G-98 Ultra-Vue™		
No. of Louvers	Single Stack	
	CO	FBW
3	6½	10
4	9	13⅞
5	11¾	16¼
6	14½	19⅞
7	17¼	22½
8	20⅞	25⅞
9	22¾	28⅞
10	25⅞	31¾
11	28⅞	34⅞
12	31⅞	38
13	33⅞	41⅞
14	36⅞	44¼
15	39½	47⅞
16	42¼	50½
17	45	53½
18	47¾	56⅞
19	50⅞	59¾
20	53⅞	62⅞
21	56⅞	66
22	58⅞	69⅞
23	62	72⅞
24	64¾	75¼
25	67½	78⅞
26	70⅞	81½
27	73	84⅞
28	75⅞	87¾
29	78⅞	90⅞
30	81⅞	94
31	84¼	97⅞
32	87	100⅞
33	89¾	103¼
34	92½	106⅞
35	95⅞	109½
36	98	112⅞
37	100⅞	115¾
38	103⅞	118⅞
39	106⅞	122
40	109⅞	125
41	111⅞	128⅞
42	114¾	131¼
43	117½	134⅞
44	120¼	137½
45	123⅞	140⅞
46	125¾	144
47	128⅞	147⅞
48	131¾	150¼
49	134⅞	153⅞
50	136¾	156

G-85 Dura-Vue®		
No. of Louvers	Single Stack	
	CO	FBW
3	6¼	10⅞
4	8⅞	13¼
5	11½	16⅞
6	14⅞	19½
7	16¾	22⅞
8	19⅞	25¾
9	22	28⅞
10	24¾	32
11	27⅞	35⅞
12	30	38¼
13	32⅞	41⅞
14	35¼	44½
15	37⅞	47⅞
16	40½	50¾
17	43⅞	53⅞
18	45¾	57
19	48⅞	60⅞
20	51	63¼
21	53⅞	66⅞
22	56¼	69½
23	59¼	72⅞
24	61⅞	75¾
25	64½	78⅞
26	67⅞	82
27	69¾	85⅞
28	72⅞	88¼
29	75	91⅞
30	77⅞	94½
31	80¼	97⅞
32	82⅞	100¾
33	85½	103⅞
34	88⅞	107
35	90¾	110⅞
36	93⅞	113¼
37	96⅞	116⅞
38	98¾	119½
39	101⅞	122⅞
40	104	125¾
41	106⅞	128⅞
42	109¼	132
43	111⅞	135⅞
44	114½	138¼
45	117⅞	141⅞
46	119¾	144½
47	122⅞	147⅞
48	125	150¾
49	127⅞	153⅞
50	129⅞	156

Split Stack One Touch not available.

FBW = Finished Blind Width
CO = Clear Opening
STACK = FBW - CO

General Information

SHEER VERTICALS: LOUVER STACKING CHART: OUTSIDE MOUNT

No. of Louvers	Single Stack		Split-Stack		No. of Louvers	Single Stack		Split-Stack		No. of Louvers	Single Stack		Split-Stack	
	CO	FBW	CO	FBW		CO	FBW	CO	FBW		CO	FBW	CO	FBW
6	14 ⁷ / ₈	19 ⁵ / ₈	11 ¹ / ₈	17	25	65 ¹ / ₄	79 ³ / ₈			44	115 ³ / ₄	139 ¹ / ₄	112	136 ⁵ / ₈
7	17 ¹ / ₂	22 ³ / ₄			26	67 ⁷ / ₈	82 ¹ / ₂	64 ¹ / ₄	80	45	118 ³ / ₈	142 ³ / ₈		
8	20 ¹ / ₈	25 ⁷ / ₈	16 ³ / ₈	23 ¹ / ₄	27	70 ⁵ / ₈	85 ³ / ₄			46	121	145 ¹ / ₂	117 ³ / ₈	142 ⁷ / ₈
9	22 ³ / ₄	29			28	73 ¹ / ₄	88 ⁷ / ₈	69 ¹ / ₂	86 ¹ / ₄	47	123 ³ / ₈	148 ⁵ / ₈		
10	25 ³ / ₈	32 ¹ / ₈	21 ³ / ₄	29 ⁵ / ₈	29	75 ⁷ / ₈	92			48	126 ³ / ₈	151 ³ / ₄	122 ³ / ₄	149 ¹ / ₄
11	28 ¹ / ₈	35 ³ / ₈			30	78 ⁵ / ₈	95 ¹ / ₈	74 ⁷ / ₈	92 ¹ / ₂	49	129	155		
12	30 ³ / ₄	38 ¹ / ₂	27	35 ⁷ / ₈	31	81 ¹ / ₄	98 ¹ / ₄			50	131 ³ / ₈	158 ¹ / ₈	128	155 ¹ / ₂
13	33 ³ / ₈	41 ⁵ / ₈			32	83 ³ / ₄	101 ³ / ₈	80 ¹ / ₄	98 ⁷ / ₈	51	134 ¹ / ₄	161 ¹ / ₄		
14	36 ¹ / ₈	44 ³ / ₄	32 ³ / ₈	42 ¹ / ₈	33	86 ¹ / ₂	104 ⁵ / ₈			52	137	164 ³ / ₈	133 ³ / ₄	161 ³ / ₄
15	38 ³ / ₄	47 ⁷ / ₈			34	89 ¹ / ₈	107 ³ / ₄	85 ¹ / ₂	105 ¹ / ₈	53	139 ³ / ₈	167 ¹ / ₂		
16	41 ³ / ₈	51	37 ³ / ₄	48 ¹ / ₂	35	91 ³ / ₄	110 ⁷ / ₈			54	142 ¹ / ₄	170 ⁵ / ₈	138 ⁵ / ₈	168 ¹ / ₈
17	44	54 ¹ / ₄			36	94 ¹ / ₂	114	90 ³ / ₄	111 ³ / ₈	55	144 ⁷ / ₈	173 ⁷ / ₈		
18	46 ³ / ₈	57 ³ / ₈	43	54 ³ / ₄	37	97 ¹ / ₈	117 ¹ / ₈			56	147 ⁵ / ₈	177	143 ³ / ₈	174 ³ / ₈
19	49 ³ / ₈	60 ¹ / ₂			38	99 ³ / ₄	120 ³ / ₈	96 ¹ / ₈	117 ³ / ₄	57	150 ¹ / ₄	180 ¹ / ₈		
20	52	63 ³ / ₈	48 ¹ / ₄	61	39	102 ³ / ₈	123 ¹ / ₂			58	152 ⁷ / ₈	183 ¹ / ₄	149 ¹ / ₈	180 ⁵ / ₈
21	54 ⁵ / ₈	66 ³ / ₄			40	105 ¹ / ₄	126 ⁵ / ₈	101 ³ / ₈	124	59	155 ¹ / ₂	186 ³ / ₈		
22	57 ³ / ₈	70	53 ³ / ₈	67 ³ / ₈	41	107 ³ / ₄	129 ³ / ₄			60	158 ¹ / ₄	189 ⁵ / ₈	154 ¹ / ₂	187
23	60	73 ¹ / ₈			42	110 ³ / ₈	132 ⁷ / ₈	106 ⁵ / ₈	130 ¹ / ₄	61	159 ¹ / ₈	191		
24	62 ³ / ₈	76 ¹ / ₄	58 ⁷ / ₈	73 ³ / ₈	43	113	136			62			157 ⁵ / ₈	191

SHEER VERTICALS: LOUVER STACKING CHART: INSIDE MOUNT

No. of Louvers	Single Stack		Split-Stack		No. of Louvers	Single Stack		Split-Stack		No. of Louvers	Single Stack		Split-Stack	
	CO	FBW	CO	FBW		CO	FBW	CO	FBW		CO	FBW	CO	FBW
7	10 ⁵ / ₈	19 ¹ / ₄			26	61 ¹ / ₈	79 ¹ / ₈	59	76 ¹ / ₂	45	112 ¹ / ₈	139 ³ / ₈		
8	13 ¹ / ₄	22 ³ / ₄	11 ¹ / ₈	19 ³ / ₄	27	63 ³ / ₈	82 ¹ / ₄			46	114 ³ / ₄	142 ¹ / ₂	112 ¹ / ₈	139 ⁷ / ₈
9	15 ⁵ / ₈	25 ¹ / ₂			28	66 ⁵ / ₈	85 ¹ / ₂	64 ¹ / ₄	82 ³ / ₄	47	117 ¹ / ₂	145 ³ / ₄		
10	18 ¹ / ₂	28 ⁵ / ₈	16 ³ / ₈	26	29	69 ¹ / ₄	88 ⁵ / ₈			48	120 ¹ / ₈	148 ⁷ / ₈	117 ¹ / ₂	146 ¹ / ₄
11	21 ¹ / ₄	31 ¹ / ₈			30	71 ⁷ / ₈	91 ³ / ₄	69 ⁵ / ₈	89 ¹ / ₈	49	122 ³ / ₄	152		
12	24	35	21 ³ / ₄	32 ³ / ₈	31	74 ¹ / ₂	94 ⁷ / ₈			50	125 ³ / ₈	155 ¹ / ₈	122 ³ / ₄	152 ¹ / ₂
13	26 ⁵ / ₈	38 ¹ / ₈			32	77 ¹ / ₈	98	74 ⁷ / ₈	95 ⁵ / ₈	51	128 ¹ / ₈	158 ³ / ₈		
14	29 ¹ / ₄	41 ¹ / ₄	27	38 ⁵ / ₈	33	80 ¹ / ₄	101 ⁵ / ₈			52	130 ³ / ₄	161 ¹ / ₂	128	158 ³ / ₄
15	31 ³ / ₈	44 ³ / ₈			34	82 ⁷ / ₈	104 ³ / ₄	80 ³ / ₄	102 ¹ / ₈	53	133 ¹ / ₂	164 ³ / ₄		
16	34 ⁵ / ₈	47 ⁵ / ₈	32 ¹ / ₄	44 ⁷ / ₈	35	85 ¹ / ₂	107 ⁷ / ₈			54	136 ¹ / ₈	167 ⁷ / ₈	133 ³ / ₈	165 ¹ / ₈
17	37 ¹ / ₄	50 ³ / ₄			36	88 ¹ / ₄	111 ¹ / ₈	86	108 ³ / ₈	55	138 ³ / ₄	171		
18	39 ⁷ / ₈	53 ³ / ₈	37 ³ / ₄	51 ¹ / ₄	37	90 ⁷ / ₈	114 ¹ / ₄			56	141 ³ / ₈	174 ¹ / ₈	138 ⁵ / ₈	171 ³ / ₈
19	42 ¹ / ₂	57			38	93 ¹ / ₂	117 ³ / ₈	91 ¹ / ₈	114 ³ / ₄	57	144	177 ¹ / ₄		
20	45 ¹ / ₈	60 ¹ / ₈	43	57 ¹ / ₂	39	96 ¹ / ₈	120 ¹ / ₂			58	146 ⁷ / ₈	180 ¹ / ₂	144	177 ⁵ / ₈
21	47 ³ / ₄	63 ¹ / ₄			40	98 ³ / ₄	123 ⁵ / ₈	96 ⁵ / ₈	121	59	149 ¹ / ₂	183 ³ / ₈		
22	50 ¹ / ₂	66 ¹ / ₂	48 ¹ / ₄	63 ³ / ₄	41	101 ¹ / ₂	126 ⁷ / ₈			60	152 ¹ / ₈	186 ³ / ₄	149 ³ / ₈	184
23	53 ¹ / ₈	69 ⁵ / ₈			42	104 ¹ / ₈	130	101 ¹ / ₂	127 ¹ / ₄	61	154 ³ / ₄	189 ⁷ / ₈		
24	55 ³ / ₈	72 ³ / ₈	53 ³ / ₈	70 ¹ / ₈	43	106 ⁷ / ₈	133 ¹ / ₈			62	155 ³ / ₈	191	154 ⁵ / ₈	190 ¹ / ₄
25	58 ¹ / ₂	76			44	109 ¹ / ₂	136 ¹ / ₄	106 ⁷ / ₈	133 ³ / ₈	64			154 ³ / ₈	191

FBW = Finished Blind Width
CO = Clear Opening
STACK = FBW - CO

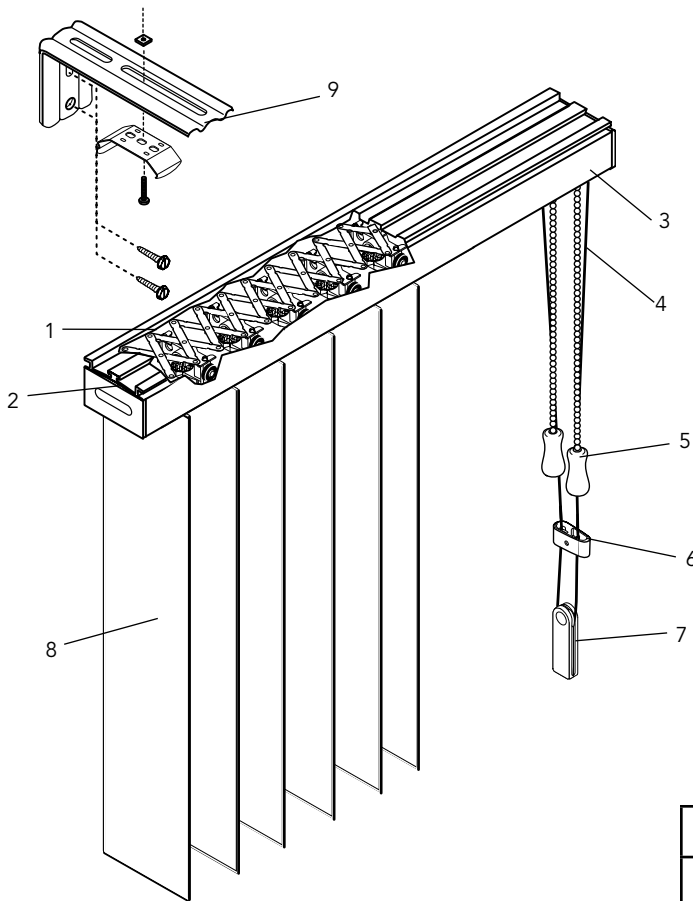
General Information

SHEER VERTICALS: LOUVER COLOR COORDINATION CHART

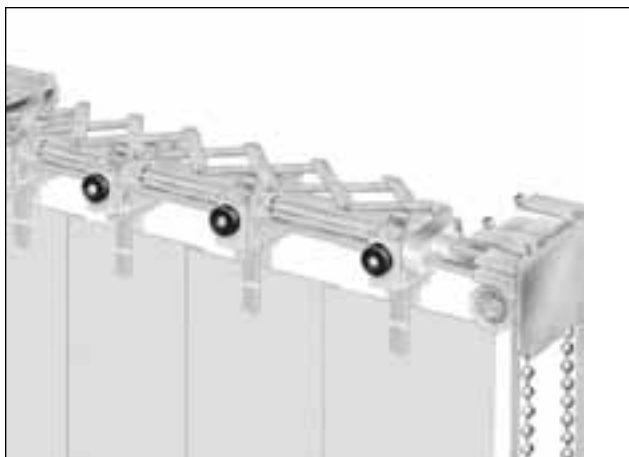
Fabric Name	Fabric Content	Color Name	Color Number	Recommended Louver, Bead Chain and Cord Weight Color
Batiste	100% Polyester	Antique White	8707	Ivory
		Custard	8705	Ivory
		White	8708	White
		Winter White	8706	White
Dijon	100% Polyester	Downey	2221	White
		Extra White	2220	White
		Stucco	2222	Ivory
Florence	100% Polyester	Latte	2243	Ivory
		Linen	2242	White
		Simple White	2241	White
Voile	100% Polyester	Bisque	2207	Ivory
		Blush	2206	Ivory
		Putty	2205	White
		Ramie	2208	White

General Information

G-71 SUPER-VUE® PRODUCT DETAIL



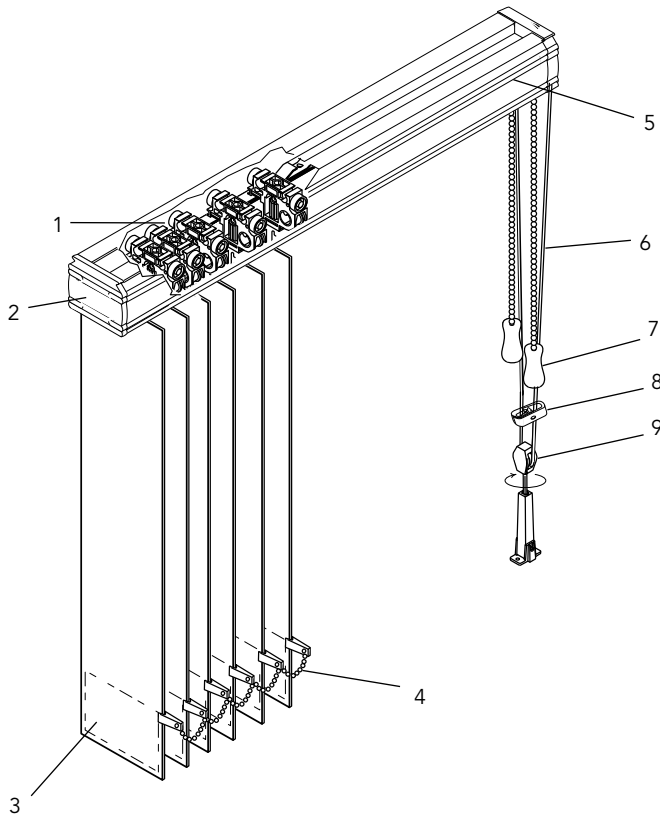
1. Pantograph Traversing System
 - Requires little draw force to open and close blinds
 - Louvers stay proportionately spaced when opening the blind
2. Fully Enclosed Drive End And Flush End Caps
 - Provide a secure fit and clean finish
3. Aluminum Headrail
 - Will not rust
 - Perfect for high humidity applications
4. Traverse cord
5. Rotation Chain with Tassels
6. Cord Safety Guide
7. Cord Weight
8. Louvers
9. Mounting Hardware



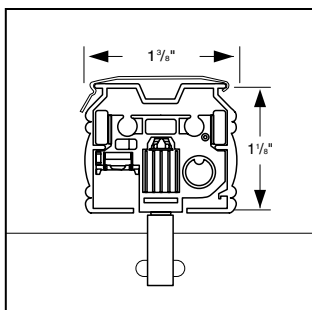
FEATURES	BENEFITS
Heavy-duty Anodized Aluminum Headrail	Will not rust; ideal for high-humidity applications
Rack and Pinion Gear System	Allows louvers to rotate smoothly and easily
Centrally Located Carrier Stems	Reversible headrail
Pantograph System	Requires very little draw force to open and close blinds; louvers stay proportionately spaced when opening the blind
Optional One Touch® Control	Safety and convenience
Removable Stems	Ability to repair instead of remaking – less invasive for the customer
E-Z Open™	Automatically rotates the louvers when the cord is pulled to traverse the blind; not available with cord tension pulley, One Touch®, and center, opposite or uneven stack
Clear Nylon Louver Stems	Nearly invisible, yet extremely strong

General Information

G-98 ULTRA-VUE™ PRODUCT DETAIL



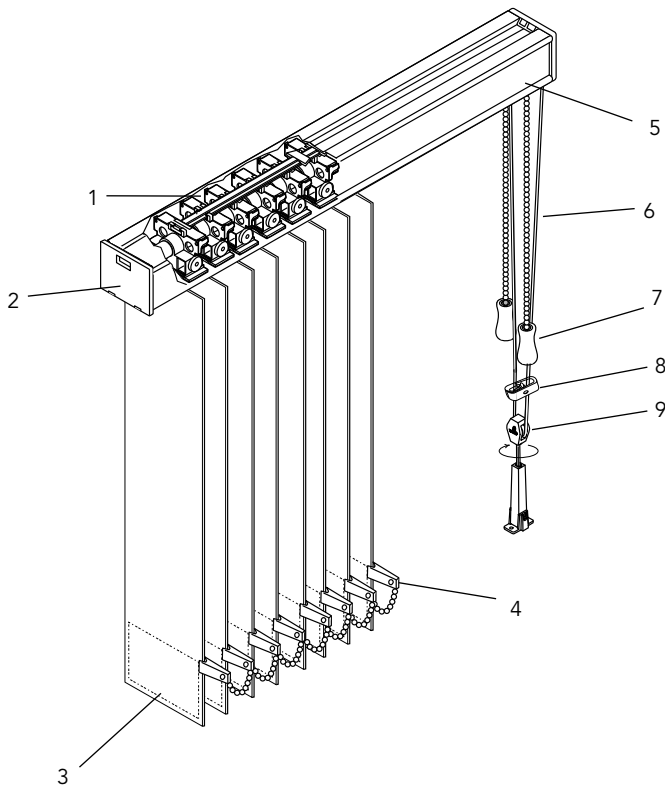
1. **Thin Profile Carrier System**
 - Narrow carrier width provides reduced louver stack
 - Self-aligning carriers for trouble-free operation
2. **Color-Coordinated End Caps**
 - Provide a clean, finished look
3. **Louver Weights**
 - Available on fabric louvers only
 - Allow fabric to hang straight
4. **Bottom Clip and Chain (Optional for fabric louvers)**
 - Stabilizes louvers in a moving air environment (i.e. screen door, heat register)
5. **Aluminum Headrail**
 - Will not rust
 - Perfect for high-humidity applications
6. **Traverse Cord**
7. **Rotation Chain with Tassels**
8. **Cord Safety Guide**
9. **Cord Tension Pulley**
 - Provides added safety and peace of mind



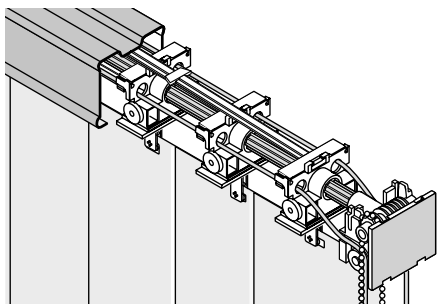
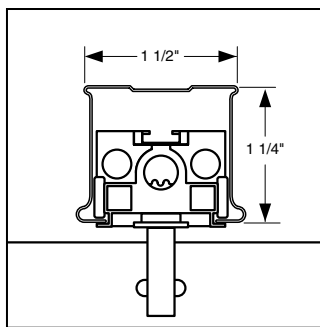
FEATURES	BENEFITS
Heavy-duty Anodized Aluminum Headrail	Will not rust; ideal for high-humidity applications
Thin Profile Carriers	Reduced stack
Self-aligning Carriers	Trouble-free operation
Fully Enclosed Drive and Flush End Caps	Provides a secure fit and clean, finished appearance
Low-friction Wheeled Carriers	Louvers traverse smoothly
Optional One Touch® Control	Safety and convenience
Centrally Located Carrier Stems and Symmetrical Cord and Chain control	Headrail reversible for right or left control installation
Clear Nylon Louver Stems	Nearly invisible, yet extremely strong
Removable Stems	Ability to repair instead of remaking; less invasive for customer

General Information

G-85 DURA-VUE® PRODUCT DETAIL



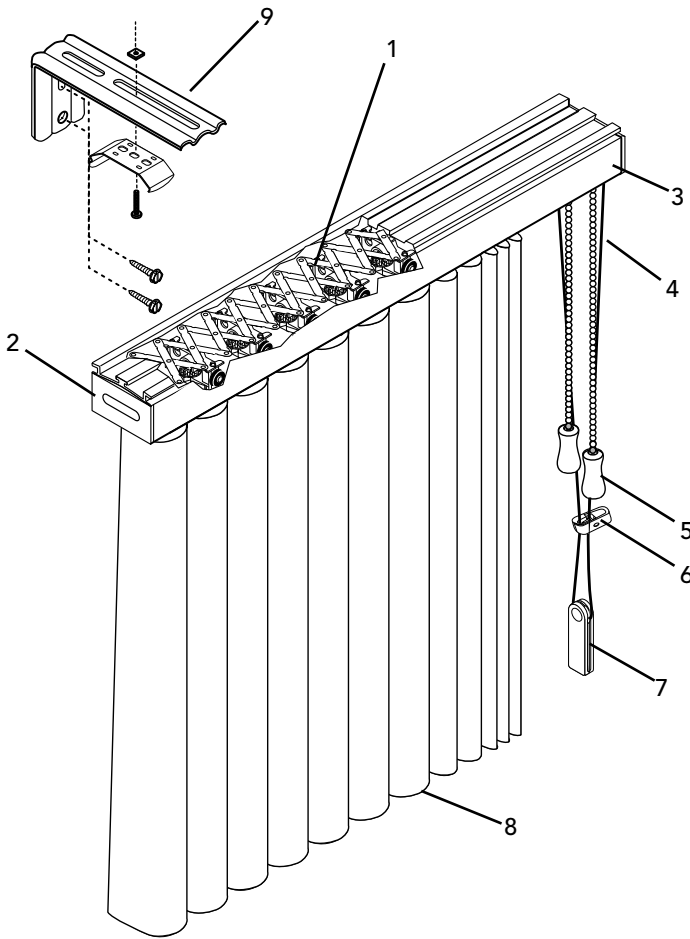
1. **Thermolastic Carrier Linkage System**
 - Provides smooth traversing of louvers
2. **Color-Coordinated End Caps**
 - Provide a clean, finished look
3. **Louver Weights**
 - Available on fabric louvers only
 - Allow fabric to hang straight
4. **Bottom Clip and Chain (Optional for fabric louvers)**
 - Stabilizes louvers in a moving air environment (i.e. screen door, heat register)
5. **Steel Headrail**
6. **Traverse Cord**
7. **Rotation Chain with Tassels**
8. **Cord Safety Guide**
9. **Cord Tension Pulley**
 - Provides added safety and peace of mind



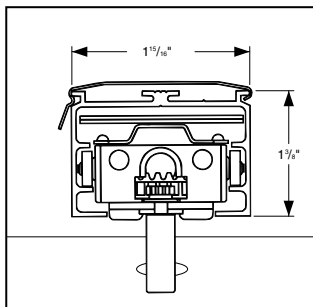
FEATURES	BENEFITS
Steel Headrail with Ivory Finish	Provides strength and durability
Wheeled Carriers	Louvers traverse smoothly and easily
Centrally Located Carrier Stems	Headrail is reversible for right or left control position
Clear Nylon Louver Stems	Nearly invisible, yet extremely strong
Optional Stack and Control Positions	Single stack, split stack, opposite stack are available
Optional One Touch® Control	Safety and convenience
Removable Stems	Ability to repair instead of remaking; less invasive for customer

General Information

SHEER VERTICAL G-71 SUPER-VUE® PRODUCT DETAIL



1. Zinc Plated Pantograph Traversing System
 - Louvers traverse smoothly and easily as one for a perfectly synchronized appearance
2. Fully Enclosed Drive End and Flush End Caps
 - Provide a secure fit and clean finish
3. Aluminum Headrail
 - Will not rust
 - Perfect for high humidity applications
4. Traverse cord
5. Rotation Chain with Tassels
6. Cord Safety Guide
7. Cord Weight
8. Sheer Fabric
9. Mounting Hardware



FEATURES	BENEFITS
<ul style="list-style-type: none"> • Easy install fabric 	<ul style="list-style-type: none"> • Install fabric after headrail installation; to clean, no need to take down entire blind
<ul style="list-style-type: none"> • Skirt only option 	<ul style="list-style-type: none"> • Change fabric style or color when changing room décor
<ul style="list-style-type: none"> • Washable fabric 	<ul style="list-style-type: none"> • Remove fabric from blind to machine wash
<ul style="list-style-type: none"> • Fabric cut yardage 	<ul style="list-style-type: none"> • Create a personal look with scarves or valance from same shade material
<ul style="list-style-type: none"> • Color coordinated thread 	<ul style="list-style-type: none"> • For finished appearance

Price Charts: Vertical Blinds

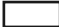
VINYL CROWN: Crown*

VINYL EMBOSSED: Grotto

*Available in coordinating 2" Horizontal Vinyl blinds

PRICE GROUP A: G-71 SUPER-VUE® AND G-98 ULTRA-VUE™													MAXIMUM WIDTH 191"	
HEIGHT UP TO	WIDTH UP TO →												Addl 10"	Replmt Louvers
	25"	38"	50"	63"	75"	85"	88"	100"	113"	120"	132"	144"		
48"	\$125	154	187	213	245	266	276	312	339	354	390	417	29	4
60"	133	161	198	225	256	282	291	329	358	375	412	441	30	5
72"	138	170	211	237	271	295	306	348	380	394	437	467	33	6
84"	146	181	222	250	285	310	321	365	398	415	459	490	34	6
96"	152	188	233	263	300	328	337	383	415	437	483	515	35	8
108"	157	196	243	276	315	343	353	401	436	456	503	539	36	8
120"	166	208	255	291	332	362	373	424	456	476	528	563	40	9
132"	171	219	269	306	349	381	393	445	479	502	557	594	43	10
144"	175	233	282	321	367	400	414	467	503	528	589	625	45	11
156"	180	244	296	336	385	419	435	489	528	554	619	656	48	12
168"	183	256	310	352	404	438	456	511	552	580	649	687	51	14
180"	187	269	323	365	420	458	474	534	577	606	679	719	54	15
192"	191	281	337	381	438	476	495	554	602	632	708	752	57	16

PRICE GROUP A: G-85 DURA-VUE®													MAXIMUM WIDTH 178¾"	
HEIGHT UP TO	WIDTH UP TO →												Addl 10"	Replmt Louvers
	25"	38"	50"	63"	75"	85"	88"	100"	113"	120"	132"	144"		
48"	\$112	135	157	176	198	213	216	248	266	277	306	323	22	4
60"	119	146	167	187	211	228	233	264	289	296	328	348	25	5
72"	128	154	182	199	224	243	248	282	307	317	352	374	26	6
84"	133	161	192	212	239	256	261	300	326	338	374	398	27	6
96"	139	170	202	225	253	275	279	317	344	358	394	421	29	8
108"	146	181	213	237	266	290	294	337	362	379	419	443	31	8
120"	155	190	228	253	285	310	312	358	384	399	442	469	33	9
132"	159	202	242	268	303	329	333	380	410	426	473	502	35	10
144"	162	214	255	282	321	348	354	401	436	453	505	536	37	11

 One Touch® Control outlined in the chart above. Maximum overall blind size is 10,080 sq. in. (w x h). Available at no charge.

PRICE GROUP A: VALANCE SURCHARGES													
	WIDTH UP TO →												
	25"	38"	50"	63"	75"	85"	88"	100"	113"	120"	132"	144"	Addl 10"
Square-corner Valance	\$19	29	32	37	40	43	45	51	55	57	63	67	4
Round-corner Valance	21	32	36	43	46	50	51	57	62	66	74	78	5
Double Round-corner Valance	42	64	72	86	92	100	102	114	124	132	148	156	10

COLORS					
CROWN*			GROTTO		
Alabaster	9303	Mullen	9324	Alabaster	6587
Carob	9317	Putty	9327	Ivory	6586
Copper	9322	Tan	9308	White	6585
Fern	9305	Whisper	9316		
Ivory	9307	White	9306		
Misty Gray	9312	White Clover	9325		

*Available in coordinating 2" Horizontal Vinyl blinds

Price Charts: Vertical Blinds

VINYL EMBOSSED: Stowe

PRICE GROUP B: G-71 SUPER-VUE® AND G-98 ULTRA-VUE™ PRICE CHART MAXIMUM WIDTH 191"

HEIGHT UP TO	WIDTH UP TO →												Addl 10"	Replmt Louvers
	25"	38"	50"	63"	75"	85"	88"	100"	113"	120"	132"	144"		
48"	\$149	185	225	256	295	323	332	378	410	430	471	503	34	5
60"	159	196	240	271	310	339	349	398	435	452	498	534	35	5
72"	165	206	253	287	327	357	370	419	457	476	528	563	37	6
84"	176	216	265	301	344	375	386	441	478	500	552	593	40	8
96"	183	227	281	316	360	393	406	462	500	526	580	622	42	8
108"	190	237	292	332	380	412	426	484	525	549	607	648	43	10
120"	201	251	308	349	400	438	447	511	549	575	635	679	46	11
132"	206	265	327	372	420	461	471	539	580	607	674	718	48	12
144"	209	279	344	390	441	483	494	566	612	640	710	758	51	14
156"	213	292	362	410	462	503	518	593	644	674	747	797	53	15
168"	217	306	380	430	483	525	541	620	675	706	784	837	56	16
180"	222	320	398	447	502	547	565	648	706	738	821	877	58	17
192"	225	333	415	467	523	570	588	675	737	771	857	916	61	18

PRICE GROUP B: G-85 DURA-VUE® PRICE CHART MAXIMUM WIDTH 178¾"

HEIGHT UP TO	WIDTH UP TO →												Addl 10"	Replmt Louvers
	25"	38"	50"	63"	75"	85"	88"	100"	113"	120"	132"	144"		
48"	\$138	166	198	223	253	276	280	320	346	357	393	420	29	5
60"	149	181	213	235	268	292	296	339	370	383	421	447	31	5
72"	156	191	228	253	284	308	316	359	391	407	448	479	33	6
84"	162	199	242	266	301	327	332	383	412	432	478	508	35	8
96"	172	212	254	282	320	347	353	404	437	456	503	537	36	8
108"	180	222	265	297	337	365	374	426	459	482	530	566	40	10
120"	190	235	284	316	358	389	394	452	485	503	561	596	41	11
132"	193	249	302	334	379	411	417	479	516	537	597	634	43	12
144"	198	263	320	354	399	433	441	508	547	570	633	675	45	14

One Touch® Control outlined in the chart above. Maximum overall blind size is 10,080 sq. in. (w x h). Available at no charge.

PRICE GROUP B: VALANCE SURCHARGES

	WIDTH UP TO →												Addl 10"
	25"	38"	50"	63"	75"	85"	88"	100"	113"	120"	132"	144"	
Square-corner Valance	\$21	34	37	46	50	51	53	60	66	69	78	83	5
Round-corner Valance	24	37	45	52	56	58	60	69	77	81	88	97	6
Double Round-corner Valance	48	74	90	104	112	116	120	138	154	162	176	194	12

COLORS

- STOWE**
- Bone9014
 - Brick Red9019
 - Cocoa9011
 - Ginger9016
 - Manor9018
 - Mercer9017
 - Willow9015

Price Charts: Vertical Blinds

FABRIC: Bentley, Huntley, Lucia^o, Regency

VINYL CROWN EMBOSSED: Cachet*, Decatur Sculptured*, Homespun II*, Lake Forest^Δ

VINYL S-SHAPED: Arizona*, Laurel, Linen*, Quantum*

PRICE GROUP C: G-71 SUPER-VUE[®] AND G-98 ULTRA-VUE[™] MAXIMUM WIDTH 191"

HEIGHT UP TO	WIDTH UP TO →												Addl 10"	Replmt Louvers	
	25"	38"	50"	63"	75"	85"	88"	100"	113"	120"	132"	144"			
48"	FH	\$159	195	237	273	315	344	355	402	437	457	502	537	38	9
	INS	171	213	263	311	347	381	392	445	484	512	558	597		
60"	FH	169	209	256	288	331	362	374	424	462	484	531	568	40	11
	INS	180	229	287	336	403	446	471	488	530	554	614	656		
72"	FH	177	221	269	306	347	382	394	446	487	509	562	600	41	11
	INS	201	258	327	383	431	476	497	562	610	638	710	760		
84"	FH	187	230	285	321	366	400	413	470	510	534	589	631	44	12
	INS	222	288	387	453	512	565	603	673	733	770	856	914		
96"	FH	194	240	299	339	386	419	434	491	534	562	618	662	46	12
	INS	243	319	431	509	576	634	678	755	822	856	961	1027		
108"	FH	204	253	313	355	404	441	455	518	558	587	647	691	47	14
	INS	263	347	473	545	634	699	741	835	908	956	1067	1139		
120"	FH	214	268	330	374	428	466	479	545	587	612	678	725	50	14
	INS	288	382	521	600	699	777	823	927	1003	1054	1177	1258		
132"	FH	219	285	348	394	452	491	505	572	618	647	717	765	53	15
	INS	295	400	545	625	729	812	859	966	1050	1106	1232	1321		
144"	FH	225	300	366	414	476	516	531	600	651	683	756	807	55	16
	INS	303	419	568	650	757	844	893	1007	1097	1156	1285	1385		
156"	FH	230	316	386	435	499	541	558	628	684	717	794	848	57	17
	INS	311	437	592	675	786	878	928	1046	1145	1208	1338	1448		
168"	FH	235	334	404	455	523	566	584	655	715	752	834	888	59	18
	INS	318	457	615	699	814	911	962	1086	1192	1259	1391	1511		
180"	FH	239	350	423	474	546	591	610	683	749	786	872	930	61	19
	INS	326	476	639	725	843	945	998	1127	1239	1310	1445	1575		
192"	FH	245	365	441	494	570	615	636	710	781	822	911	971	63	20
	INS	334	494	663	750	872	980	1033	1166	1286	1360	1499	1638		

PRICE GROUP C: G-85 DURA-VUE[®] PRICE CHART MAXIMUM WIDTH 178¾"

HEIGHT UP TO	WIDTH UP TO →												Addl 10"	Replmt Louvers	
	25"	38"	50"	63"	75"	85"	88"	100"	113"	120"	132"	144"			
48"	FH	\$147	180	213	237	272	295	300	342	371	386	424	453	32	9
	INS	163	201	242	285	315	344	351	399	435	458	499	533		
60"	FH	159	192	230	255	288	313	319	363	397	411	453	484	34	11
	INS	172	218	268	310	372	413	434	445	484	504	560	597		
72"	FH	167	205	243	269	306	331	339	387	421	437	484	513	36	11
	INS	194	246	309	360	400	439	458	519	562	588	655	698		
84"	FH	174	214	258	288	323	351	358	410	444	462	512	545	38	12
	INS	213	278	368	428	482	530	563	631	687	717	802	855		
96"	FH	184	226	272	303	342	371	378	434	467	489	541	576	40	12
	INS	235	308	413	483	546	599	639	712	773	806	906	965		
108"	FH	190	236	287	319	361	393	400	457	492	516	570	608	42	14
	INS	255	336	456	519	605	663	705	792	861	906	1012	1082		
120"	FH	204	253	303	339	384	416	424	486	521	541	600	638	45	14
	INS	281	372	504	576	670	741	785	883	956	1003	1122	1197		
132"	FH	209	269	321	360	408	441	450	512	554	576	638	680	47	15
	INS	288	390	528	602	698	776	819	923	1003	1054	1176	1260		
144"	FH	213	287	340	379	432	466	477	540	587	612	677	720	49	16
	INS	295	410	551	626	728	810	855	962	1050	1106	1230	1324		

One Touch[®] Control outlined in the chart above. Maximum overall blind size is 10,080 sq. in. (w x h). Available at no charge.

PRICE GROUP C: VALANCE SURCHARGES

	WIDTH UP TO →												Addl 10"
	25"	38"	50"	63"	75"	85"	88"	100"	113"	120"	132"	144"	
Square-corner Valance	\$24	37	41	48	51	56	57	63	71	75	83	88	6
Round-corner Valance	27	41	47	56	59	62	64	75	83	85	95	100	8
Double Round-corner Valance	54	82	94	112	118	124	128	150	166	170	190	200	16

COLORS

VINYL				FABRIC									
ARIZONA S		DECATUR SCULPTURED*		LAKE FOREST^Δ		LINEN S		BENTLEY					
Bronzed	3633	Delta	6736	Cognac	3541	Cafe	6263	Bright White	0193				
Cactus	3636	Dusk	6737	Golden Oak	3542	Cream	6261	Earth Tones	0191				
Flatlands	3631	Mocha	6729	Natural	3543	Ebony	6265	Pale Goldenrod	0192				
Pool	3639	Storm	6722	Wheat	3540	Lichen	6262	HUNTLEY					
Sierra	3637	Waterfall	6734	LAUREL S				Butter Cream	0141				
Terra	3638	HOMESPUN II*		Aurora	3714	Snow	6260	Slate Gray	0143				
CACHET*		Beach	9113	Bisque	3710	Royalty	6264	White	0140				
Alabaster	6656	Butterscotch	9112	Livingston	3711	QUANTUM S							
Blush	6658	Chocolate	9114	Riviera	3715	Alabaster	3390	Bone ^o	0823				
Icy Bay	6659	Cocoa	9115	Sedona	3712	Cream	3391	Dover Gray	0837				
Ivory	6657	Ivory	9111							White ^o	0801		
Satin White	6651	Vanilla	9110							REGENCY			
Tan	6654							Starlight	0082	Old Lace	0082		
White	6650							Sunray	6853	Pristine	0083		
												Silver Gray	0081
												Taupe	0080

*Available in coordinating 2" Horizontal Vinyl blinds
 ΔAvailable in coordinating Lake Forest Faux Wood Blinds
 oSome selections are available in coordinating Pleated Shades

Price Charts: Vertical Blinds

FABRIC: Avanti, Brighton[®], Grasses, Sheffield[§]
 VINYL CROWN EMBOSSED: Georgetown, Rapture*, Satin Stripe

PRICE GROUP D: G-71 SUPER-VUE[®] AND G-98 ULTRA-VUE[™]

MAXIMUM WIDTH 191"

HEIGHT UP TO		WIDTH UP TO →											Addl 10"	Replmt Louvers	
		25"	38"	50"	63"	75"	85"	88"	100"	113"	120"	132"			144"
48"	FH	\$175	216	264	301	348	379	390	441	480	503	554	591	42	11
	INS	186	231	286	340	380	416	429	488	530	560	610	654	45	15
60"	FH	186	229	283	316	366	399	413	468	509	530	585	626	44	13
	INS	198	250	313	368	440	489	516	535	581	606	674	719	50	16
72"	FH	196	243	298	336	383	419	433	493	536	559	621	661	46	13
	INS	220	283	358	419	471	520	544	614	668	699	776	831	58	18
84"	FH	204	253	313	354	404	440	454	518	560	586	651	694	49	13
	INS	244	315	423	495	560	619	659	738	801	843	938	1000	69	20
96"	FH	215	266	330	373	424	464	476	543	589	615	681	728	51	15
	INS	266	349	471	558	630	694	743	825	899	938	1053	1124	78	21
108"	FH	223	278	343	390	444	486	501	569	614	645	715	763	53	15
	INS	286	379	518	596	694	766	813	914	994	1046	1169	1248	87	25
120"	FH	238	296	364	413	470	514	526	600	645	675	749	798	56	16
	INS	316	418	571	656	766	850	901	1014	1098	1153	1289	1376	95	26
132"	FH	243	314	386	436	495	540	554	630	680	711	793	844	59	17
	INS	324	439	598	684	798	888	939	1058	1150	1209	1346	1446	99	28
144"	FH	248	331	409	460	520	566	581	661	716	749	836	891	62	18
	INS	333	459	624	711	830	924	978	1103	1201	1265	1405	1516	103	30
156"	FH	251	349	431	484	545	593	608	693	751	785	880	938	65	19
	INS	341	479	650	739	863	961	1015	1146	1254	1320	1463	1586	107	32
168"	FH	256	368	454	508	570	619	635	724	788	821	924	984	68	20
	INS	349	499	676	766	894	998	1054	1190	1306	1376	1521	1656	111	34
180"	FH	261	385	476	531	595	645	663	754	823	859	968	1030	71	21
	INS	358	519	701	794	926	1034	1091	1234	1359	1433	1580	1726	115	36
192"	FH	266	403	499	555	620	671	690	785	859	895	1011	1076	74	22
	INS	366	539	728	820	959	1071	1129	1278	1411	1488	1638	1796	119	38

PRICE GROUP D: G-85 DURA-VUE[®]

MAXIMUM WIDTH 178¾"

HEIGHT UP TO		WIDTH UP TO →											Addl 10"	Replmt Louvers	
		25"	38"	50"	63"	75"	85"	88"	100"	113"	120"	132"			144"
48"	FH	\$165	203	241	270	308	334	341	389	420	438	481	513	36	11
	INS	178	220	265	311	345	376	384	438	475	501	546	583	40	15
60"	FH	176	216	258	285	326	355	361	414	449	466	514	548	38	13
	INS	189	239	294	339	408	453	474	488	530	551	611	654	45	16
72"	FH	185	226	274	304	343	375	383	438	475	495	548	583	40	13
	INS	213	270	338	393	439	481	501	568	615	644	716	765	53	18
84"	FH	195	240	289	323	365	394	406	464	501	523	580	615	43	13
	INS	233	304	403	468	528	581	616	691	750	785	878	935	65	20
96"	FH	204	251	304	340	386	418	426	488	529	551	609	651	45	15
	INS	256	336	451	529	598	655	701	779	846	883	990	1058	74	21
108"	FH	213	264	321	358	406	440	451	514	555	581	641	684	48	15
	INS	279	368	498	568	661	726	771	868	943	990	1108	1183	82	25
120"	FH	226	280	339	380	431	469	476	545	585	609	678	720	50	16
	INS	308	408	551	630	733	813	859	966	1046	1098	1228	1311	91	26
132"	FH	230	298	361	404	456	495	504	576	621	646	721	766	53	17
	INS	316	428	578	658	765	849	896	1010	1099	1153	1286	1381	95	28
144"	FH	235	316	384	428	481	521	531	606	656	683	765	813	56	18
	INS	324	448	604	685	796	886	935	1055	1151	1209	1344	1451	99	30

One Touch[®] Control outlined in the chart above. Maximum overall blind size is 10,080 sq. in. (w x h). Available at no charge.

PRICE GROUP D: VALANCE SURCHARGES

	WIDTH UP TO →											Addl 10"	
	25"	38"	50"	63"	75"	85"	88"	100"	113"	120"	132"		144"
Square-corner Valance	\$25	39	46	53	56	60	61	71	79	81	90	98	7
Round-corner Valance	30	46	53	60	65	70	74	83	89	93	104	111	8
Double Round-corner Valance	60	92	106	120	130	140	148	166	178	186	208	222	16

COLORS

VINYL		FABRIC	
GEORGETOWN	SATIN STRIPE	AVANTI	GRASSES
Flax	Ivory	Haze	Chestnut
Tawny	Sand	Meadow	Hardwood
White	Snow	Morning Glow	Maple
		Sandcastle	Twig
RAPTURE*		SHEFFIELD [§]	
Bleach		Bone [®]	Chelsea
Heather		Bright White	Henley
Steel		Fawn [®]	Windsor
		Oatmeal [®]	
		Oyster [®]	
		Platinum [®]	
		Silver Lining	
		Toast [®]	
		White	

*Available in coordinating 2" Horizontal Vinyl blinds
 §Available in coordinating Roller and Sliding Panel Shades
 øSome selections are available in coordinating Pleated Shades

Price Charts: Vertical Blinds

FABRIC: Devon, Strings, Tahiti Weave

VINYL CROWN EMBOSSED: Chenille, Limestone*, Nueva*, Parallels

VINYL S-SHAPED: Swirls*

PRICE GROUP E: G-71 SUPER-VUE® AND G-98 ULTRA-VUE™ MAXIMUM WIDTH 191"

HEIGHT UP TO		WIDTH UP TO →											Addl 10"	Replmt Louvers	
		25"	38"	50"	63"	75"	85"	88"	100"	113"	120"	132"			144"
48"	FH	\$199	246	301	345	396	434	445	505	550	575	633	676	47	13
	INS	209	260	321	381	426	468	479	546	594	630	684	734		
60"	FH	211	265	321	363	416	456	471	534	580	606	670	715	50	15
	INS	226	286	358	419	501	559	591	610	663	694	769	821		
72"	FH	224	276	340	385	436	479	494	563	613	638	709	756	53	18
	INS	253	323	410	479	539	594	621	703	761	800	888	950		
84"	FH	234	289	358	406	461	501	518	591	643	671	743	794	55	18
	INS	278	361	483	566	641	709	754	843	916	963	1071	1143		
96"	FH	246	305	375	425	486	529	546	620	674	704	779	833	57	23
	INS	305	398	539	636	720	794	849	943	1025	1071	1203	1284		
108"	FH	254	318	393	445	508	556	570	650	703	738	816	871	61	25
	INS	329	434	593	681	793	876	929	1044	1138	1196	1335	1426		
120"	FH	270	336	415	471	538	589	601	685	738	771	854	911	63	26
	INS	363	478	653	751	876	973	1030	1156	1254	1318	1470	1573		
132"	FH	276	360	444	501	569	623	636	724	783	820	910	973	67	27
	INS	373	504	685	785	918	1019	1079	1213	1321	1390	1548	1660		
144"	FH	284	384	471	530	601	656	670	761	829	869	966	1033	71	28
	INS	383	531	718	819	960	1066	1129	1269	1389	1464	1624	1746		
156"	FH	290	408	500	559	633	690	705	800	875	918	1023	1094	75	29
	INS	393	558	750	853	1001	1114	1178	1325	1456	1536	1700	1833		
168"	FH	298	431	528	589	664	724	740	839	921	965	1079	1154	79	30
	INS	403	585	783	886	1043	1161	1228	1381	1524	1610	1776	1919		
180"	FH	304	455	556	618	695	758	775	876	968	1014	1135	1215	83	31
	INS	413	613	816	920	1085	1209	1278	1438	1591	1683	1853	2006		
192"	FH	310	479	584	648	726	791	810	915	1014	1063	1191	1276	87	32
	INS	423	639	849	954	1126	1255	1326	1494	1659	1756	1930	2093		

PRICE GROUP E: G-85 DURA-VUE® MAXIMUM WIDTH 178¾"

HEIGHT UP TO		WIDTH UP TO →											Addl 10"	Replmt Louvers	
		25"	38"	50"	63"	75"	85"	88"	100"	113"	120"	132"			144"
48"	FH	\$190	235	281	318	364	395	403	459	498	520	570	609	43	13
	INS	205	254	310	364	404	443	450	514	559	591	643	686		
60"	FH	204	253	301	334	383	419	429	489	529	551	609	649	45	15
	INS	218	276	339	396	474	526	554	571	620	648	716	765		
72"	FH	215	265	320	356	403	441	453	515	560	583	648	689	48	18
	INS	244	314	391	458	511	563	586	663	718	753	836	893		
84"	FH	226	276	336	378	429	466	476	546	591	616	681	728	51	18
	INS	270	350	468	543	613	676	718	805	873	915	1019	1086		
96"	FH	238	291	355	399	451	491	501	574	623	650	716	766	53	23
	INS	296	389	521	613	691	760	814	905	983	1023	1151	1226		
108"	FH	245	306	371	419	475	519	528	603	651	681	756	805	56	25
	INS	321	423	575	658	763	843	893	1005	1095	1148	1284	1369		
120"	FH	260	324	395	444	503	550	559	638	686	715	794	844	59	26
	INS	355	468	636	728	846	940	995	1119	1210	1270	1419	1518		
132"	FH	266	348	423	473	535	584	594	676	733	764	850	905	63	27
	INS	366	494	669	761	888	986	1044	1175	1278	1344	1495	1604		
144"	FH	274	371	451	501	566	618	629	715	779	813	906	965	67	28
	INS	376	521	701	795	929	1034	1094	1231	1345	1416	1571	1691		

One Touch® Control outlined in the chart above. Maximum overall blind size is 10,080 sq. in. (w x h). Available at no charge.

PRICE GROUP E: VALANCE SURCHARGES

	WIDTH UP TO →											Addl 10"	
	25"	38"	50"	63"	75"	85"	88"	100"	113"	120"	132"		144"
Square-corner Valance	\$29	45	53	61	64	70	74	80	89	93	105	110	8
Round-corner Valance	33	51	61	70	74	80	83	93	104	106	120	128	9
Double Round-corner Valance	66	102	122	140	148	160	166	186	208	212	240	256	18

COLORS

VINYL			FABRIC		
CHENILLE	NUEVA*	SWIRLS S*	DEVON	TAHITI WEAVE	
Brown 6796	Basket 9385	Brownstone 9162	Abbot 0032	Autumn 0455	
Cream 6791	Coral 9382	Cranberry 9164	Newton 0033	Basket Weave 0453	
Off White 6790	Half & Half 9381	Ecru 9161	Plymouth 0030	Bourbon 0451	
Sky 6798		Frost 9160	Torbay 0031	Hudson 0450	
LIMESTONE*	PARALLELS		STRINGS	Tortoise Shell 0454	
Arkose 6930	Amaretto 6952	Goldenrod 9163	Delicate 4650	Tribal 0452	
Dacite 6932	Mesa 6950		Parfait 4651		
Jasper 6931	Spice 6951		Urban Mist 4653		
Marl 6933	Waterloo 6953		Winsome 4652		

*Available in coordinating 2" Horizontal Vinyl blinds

Price Charts: Vertical Blinds

FABRIC: Crossweave^{§†}, Edinburgh, London Tweed, Phifer 2390, Phifer 2410

VINYL CROWN EMBOSSED: Safari*

PRICE GROUP F: G-71 SUPER-VUE[®] AND G-98 ULTRA-VUE[™] MAXIMUM WIDTH 191"

HEIGHT UP TO		WIDTH UP TO →											Addl 10"	Replmt Louvers	
		25"	38"	50"	63"	75"	85"	88"	100"	113"	120"	132"			144"
48"	FH	\$235	293	356	410	469	513	527	599	653	680	751	801	55	16
	INS	247	309	383	451	505	554	568	648	703	747	811	869	61	18
60"	FH	251	314	382	428	493	541	558	633	688	718	793	846	59	18
	INS	268	338	423	496	595	662	700	724	786	822	912	973	68	21
72"	FH	265	328	401	455	518	568	585	665	725	756	841	896	62	20
	INS	298	383	485	568	638	703	736	832	904	948	1052	1125	78	23
84"	FH	278	343	423	481	547	595	612	701	761	796	881	941	65	21
	INS	329	428	572	671	760	841	894	999	1085	1139	1270	1355	95	25
96"	FH	293	361	445	504	575	626	647	734	799	835	922	986	69	27
	INS	361	472	638	754	853	941	1007	1117	1214	1270	1426	1521	106	29
108"	FH	302	376	466	527	602	660	676	770	832	873	967	1033	72	29
	INS	390	514	702	806	940	1039	1099	1237	1348	1417	1583	1690	117	33
120"	FH	320	399	491	558	637	698	712	813	873	914	1012	1079	75	31
	INS	428	566	774	890	1039	1152	1220	1371	1485	1562	1742	1864	129	35
132"	FH	329	427	525	593	674	738	755	859	927	971	1079	1152	80	32
	INS	441	598	813	931	1087	1207	1279	1438	1565	1647	1832	1967	135	39
144"	FH	337	455	557	628	711	779	797	905	981	1029	1147	1225	85	33
	INS	454	629	851	971	1135	1263	1337	1506	1645	1733	1922	2071	141	43
156"	FH	345	482	590	662	748	819	841	950	1035	1085	1214	1299	90	34
	INS	466	661	889	1012	1184	1318	1396	1573	1724	1818	2012	2174	147	47
168"	FH	352	511	622	698	786	860	883	997	1089	1143	1282	1372	95	35
	INS	478	692	927	1052	1232	1373	1454	1641	1805	1904	2102	2278	153	51
180"	FH	360	539	655	733	823	900	926	1043	1143	1201	1349	1445	100	36
	INS	491	724	966	1093	1281	1427	1513	1708	1885	1989	2192	2381	159	55
192"	FH	368	567	688	768	860	941	968	1089	1197	1258	1417	1517	105	40
	INS	503	755	1004	1133	1328	1483	1571	1776	1965	2075	2282	2485	165	59

PRICE GROUP F: G-85 DURA-VUE[®] MAXIMUM WIDTH 178¾"

HEIGHT UP TO		WIDTH UP TO →											Addl 10"	Replmt Louvers	
		25"	38"	50"	63"	75"	85"	88"	100"	113"	120"	132"			144"
48"	FH	\$226	279	333	376	430	468	478	544	590	616	676	723	51	16
	INS	243	301	368	430	479	524	534	609	663	701	760	814	56	18
60"	FH	241	299	356	396	453	496	509	579	626	654	723	769	53	18
	INS	258	325	400	469	563	625	656	734	786	850	906	963	63	21
72"	FH	255	314	378	423	478	523	536	610	664	691	766	816	56	20
	INS	289	371	465	543	604	665	695	785	851	891	991	1056	73	23
84"	FH	268	328	399	446	509	551	565	648	701	730	808	863	60	21
	INS	321	415	553	643	726	801	851	953	1034	1084	1206	1288	89	25
96"	FH	281	345	421	473	535	581	595	680	738	770	850	909	63	27
	INS	351	460	618	726	819	903	964	1071	1164	1211	1364	1454	101	29
108"	FH	291	363	440	496	564	615	625	715	771	808	895	953	66	29
	INS	381	500	681	779	905	999	1056	1191	1298	1360	1521	1624	113	33
120"	FH	309	385	468	525	596	653	663	756	814	849	940	1000	70	31
	INS	421	553	754	863	1003	1114	1179	1325	1434	1505	1681	1799	125	35
132"	FH	316	413	501	560	634	693	705	803	868	906	1008	1074	75	32
	INS	434	584	793	904	1051	1169	1238	1393	1514	1591	1771	1903	131	39
144"	FH	324	441	534	595	670	734	749	849	921	963	1075	1146	80	33
	INS	445	615	830	944	1099	1224	1296	1460	1593	1676	1861	2006	137	43

One Touch[®] Control outlined in the chart above. Maximum overall blind size is 10,080 sq. in. (w x h). Available at no charge.

PRICE GROUP F: VALANCE SURCHARGES

	WIDTH UP TO →											Addl 10"	
	25"	38"	50"	63"	75"	85"	88"	100"	113"	120"	132"		144"
Square-corner Valance	\$35	53	63	74	76	83	85	96	106	108	124	130	9
Round-corner Valance	39	60	74	83	88	96	98	108	123	126	141	151	10
Double Round-corner Valance	78	120	148	166	176	192	196	216	246	252	282	302	20

COLORS

VINYL SAFARI	CROSSWEAVE	FABRIC EDINBURGH	PHIFER 2390 (5% OPENNESS)
Buffalo 3640	Allspice [§] 2502	Biscuit 0291	Beige/Pearl Gray 2133
Hickory 3645	Beechwood [†] 2510	Brownie 0292	Charcoal/Chestnut 2136
Moccasin 3643	Brick [§] 2504	Tan 0293	Oyster 2130
Prairie 3642	Elm [†] 2511	White 0290	Oyster Beige 2131
Stone 3644		LONDON TWEED	PHIFER 2410 (3% OPENNESS)
		Cattails 0580	Beige/Pearl Gray 2141
		Foliage 0582	Charcoal/Chestnut 2144
		Hunt 0581	Oyster 2138
			Oyster Beige 2139


*Available in coordinating 2" Horizontal Vinyl blinds
 §Some selections are available in coordinating Roller and Sliding Panel Shades
 §Some selections are available in coordinating Pleated Shades
 †Some selections are available in coordinating Roman and Sliding Panel Shades

Price Charts: Vertical Blinds

3½" CHANNEL PANEL ONLY – Stay-Clear™ Channel Panel with a limited lifetime warranty

PRICE GROUP G: G-71 SUPER-VUE® AND G-98 ULTRA-VUE™													MAXIMUM WIDTH 191"	
HEIGHT UP TO	WIDTH UP TO →												Addl 10"	Replmt Louvers
	25"	38"	50"	63"	75"	85"	88"	100"	113"	120"	132"	144"		
48"	\$131	179	226	265	310	344	360	401	446	471	516	560	39	10
60"	141	191	244	284	335	374	389	435	484	513	561	610	42	10
72"	150	206	263	309	363	404	420	470	524	554	606	660	46	14
84"	156	218	281	330	386	431	450	506	561	594	653	709	50	14
96"	166	233	298	349	414	461	480	541	604	636	698	759	53	15
108"	178	245	316	371	439	490	509	574	640	675	743	809	56	18
120"	185	261	334	394	465	520	540	608	679	719	788	858	59	19
132"	206	288	363	428	503	560	586	660	735	781	855	946	64	20
144"	228	314	391	463	541	601	634	713	791	843	921	1035	69	21
156"	248	340	420	496	579	641	681	765	848	904	989	1125	74	22
168"	269	366	449	530	618	683	729	818	904	966	1055	1214	79	23
180"	290	393	478	565	655	724	776	870	961	1028	1123	1304	84	24
192"	311	419	506	599	693	764	823	923	1018	1090	1189	1393	89	25

PRICE GROUP G: G-85 DURA-VUE®													MAXIMUM WIDTH 178¾"	
HEIGHT UP TO	WIDTH UP TO →												Addl 10"	Replmt Louvers
	25"	38"	50"	63"	75"	85"	88"	100"	113"	120"	132"	144"		
48"	\$120	159	204	238	279	311	324	363	401	425	465	505	35	10
60"	128	174	220	255	300	338	349	391	436	461	506	550	38	10
72"	134	185	236	278	325	364	376	424	471	499	546	594	41	14
84"	141	195	253	296	346	389	404	455	506	534	586	639	45	14
96"	150	209	269	315	371	415	431	488	544	573	628	681	47	15
108"	159	221	285	335	395	440	458	516	576	608	668	728	50	18
120"	166	235	299	356	419	468	486	548	611	648	708	770	54	19
132"	188	261	329	390	456	508	533	600	668	709	775	860	59	20
144"	209	288	358	424	495	549	580	653	725	770	841	949	64	21

 One Touch® Control outlined in the chart above. Maximum overall blind size is 10,080 sq. in. (w x h). Available at no charge.

PRICE GROUP G: VALANCE SURCHARGES													
	WIDTH UP TO →												
	25"	38"	50"	63"	75"	85"	88"	100"	113"	120"	132"	144"	Addl 10"
Square-corner Valance	\$15	25	29	33	34	36	40	43	48	50	55	58	4
Round-corner Valance	18	29	31	36	40	41	43	50	54	56	61	68	5
Double Round-corner Valance	36	58	62	72	80	82	86	100	108	112	122	136	10

COLORS

CHANNEL PANEL

- Ivory 7137
- White 7136

Price Charts: Sheer Verticals

Fabric: Batiste, Voile

PRICE GROUP H														
HEIGHT UP TO	WIDTH UP TO →													Replacement Louvers
	25"	38"	51"	63"	76"	85"	88"	101"	120"	144"	170"	178"	191"	
48"	\$837	1022	1248	1483	1666	1922	1953	2174	2418	2747	3596	3802	4077	2
60"	909	1234	1398	1579	1795	1953	1988	2202	2592	3102	3729	3941	4209	5
72"	956	1248	1415	1593	1817	1969	2056	2305	2672	3187	3762	3974	4246	5
84"	971	1267	1436	1617	1833	1988	2073	2327	2724	3403	3795	4011	4289	5
96"	980	1290	1457	1640	1857	2012	2094	2348	2792	3457	3831	4044	4324	5
104"	996	1295	1471	1657	1875	2030	2113	2362	2862	3513	3859	4075	4350	7

COLORS

FABRIC

BATISTE		VOILE	
Antique White	8707	Bisque	2207
Custard	8705	Blush	2206
White	8708	Putty	2205
Winter White	8706	Ramie	2208

Fabric: Dijon, Florence

PRICE GROUP I														
HEIGHT UP TO	WIDTH UP TO →													Replacement Louvers
	25"	38"	51"	63"	76"	85"	88"	101"	120"	144"	170"	178"	191"	
48"	\$971	1182	1445	1718	1927	2223	2261	2512	2797	3173	4160	4399	4714	2
60"	1055	1431	1622	1826	2080	2261	2298	2547	2999	3588	4317	4561	4869	5
72"	1109	1448	1640	1845	2101	2280	2378	2667	3097	3687	4355	4599	4916	5
84"	1126	1471	1664	1873	2124	2298	2399	2693	3154	3941	4392	4641	4963	5
96"	1137	1497	1687	1896	2150	2331	2423	2717	3234	4002	4434	4684	5006	5
104"	1159	1502	1706	1922	2171	2350	2446	2735	3316	4070	4463	4716	5036	7

COLORS

FABRIC

DIJON		FLORENCE	
Downey	2221	Latte	2243
Extra White	2220	Linen	2242
Stucco	2222	Simple White	2241

Pricing: Options

OPTIONS PRICING	
OPTION	SURCHARGE
VERTICAL BLINDS	
Angled Window Blind	Price from G-71 charts using angle width and longest height, and add \$410
Angled Window Headrail	Price from G-71 charts using angle width, and add \$410
Bay and Corner Window	No Charge
Bottom Chain & Clips (fabric)	\$43
Bottom Chain (vinyl)	\$43
Curved Blind	Price from G-71 charts; use a flexible ruler to measure curve width and height and add surcharge from page 36.
Curved Headrail	Price as G-71 headrail; use a flexible ruler to measure curve width and add surcharge from page 36.
Cut-Outs	\$64
Double Round-corner Valance	See price charts for surcharge
Headrail Pricing	See price chart above
Louver Replacements	See price charts
Mixed Louvers	10% of highest priced louvers
One Touch® Control	No Charge
Paired Blinds	Price as two blinds and add together. No surcharge.
Projection Brackets: 4 $\frac{3}{8}$ "	No Charge
Round-corner Valance	See price charts for surcharge.
Square-corner Valance	See price charts for surcharge.
Stacking Options	Center/Uneven Stack: \$40 per blind; Opposite Stack: \$40 per blind
Stay Clear™ Channel Panels	See the INS pricing in the price charts and Price Group G price charts.
Wood Cornices and Valances	See Cornice and Valances Price List for pricing information.
SHEER VERTICAL BLINDS	
Bay and Corner Window	No charge
Cut Yardage	Batiste, Voile: \$49 per yard Dijon, Florence: \$99 per yard
Dauphine® Valance	No charge
Paired Blinds	Price as two separate blinds and add together
Louver Replacement	See Price Charts
Wood Cornices and Valances	See Cornice and Valance Price List for pricing information

Options Pricing

VERTICAL BLINDS: HEADRAIL PRICING

Width up to →	25"	38"	50"	63"	75"	85"	88"	100"	113"	120"	132"	144"	158"	170"	177"	191"
3½" SPACING FOR G-71 SUPER-VUE® AND G-98 ULTRA-VUE™ (HEADRAIL ONLY, NO LOUVERS)																
G-71 and G-98 Headrail	\$68	104	138	174	206	235	243	276	310	333	365	396	430	466	481	525
3½" SPACING FOR G-85 DURA-VUE® (HEADRAIL ONLY, NO LOUVERS)																
G-85 Headrail	\$58	89	113	140	165	186	190	219	246	265	289	316	339	369	379*	

NOTE: Valance not included with replacement headrail. Must be ordered separately. See individual price chart for ordering.
Replacement headrails include installation hardware.

*Dura-Vue Maximum size 178¾"

VERTICAL BLINDS: CURVED HEADRAIL SURCHARGE

Width up to →	63"	75"	85"	88"	100"	113"	120"	132"	144"	158"	168"
Surcharge	\$250	294	329	340	384	429	454	496	543	584	628

SHEER VERTICAL BLINDS: REPLACEMENT HEADRAIL PRICING

WIDTH UP TO →	25"	38"	51"	63"	76"	85"	88"	101"	120"	144"	170"	178"	191"
Headrail	\$89	136	181	226	270	301	315	360	428	515	609	630	682

SHEER VERTICAL BLINDS: REPLACEMENT FABRIC PRICING

WIDTH UP TO →	25"	38"	51"	63"	76"	85"	88"	101"	120"	144"	170"	178"	191"
Group A	\$670	1018	1090	1311	1450	1504	1591	1784	2101	2491	2940	3076	3306
Group B	785	1196	1290	1546	1737	1793	1901	2134	2519	2992	3530	3694	3967

SHEER VERTICAL BLINDS: REPLACEMENT VALANCE FABRIC ONLY PRICING

WIDTH UP TO →	25"	38"	51"	63"	76"	85"	88"	101"	120"	144"	170"	178"	191"
Valance Fabric Only	\$16	21	33	42	47	54	56	63	78	92	110	113	120

REPLACEMENT DAUPHINE VALANCE WITH SHIRRED FABRIC PRICING

WIDTH UP TO →	25"	38"	51"	63"	76"	85"	88"	101"	120"	144"	170"	178"	191"
Group A	\$80	120	160	202	244	282	287	338	388	477	564	592	632
Group B	94	139	186	226	270	301	315	357	425	512	609	632	682



Graber is a brand of Springs Window Fashions, the Best Experience Company

