

VERTICAL BLINDS

Table of Contents

Features

Vertical Blinds: Vane Styles and Information	3
Sheer Vertical Blinds: Styles, Fabric Content, Light Control, Light Control Levels, Oeko-Tex® Standard 100 Certified Fabrics, NFPA 701	4
Vertical Blinds: Vane Features	5

Size Considerations

Vertical Blinds, Depth Requirements for Inside Mount	6
Sheer Vertical Blinds, Depth Requirements for Inside Mount	6

Options

Summary	7
Vertical Blinds: Control Options	8
Sheer Vertical Blinds: Control Options	8
Vertical Blinds: Headrail Systems	9
Vertical Blinds, Sheer Vertical Blinds: Stacking Options, Installation Types	10
Vertical Blinds: Cut-Out Blinds, Bottom Chain	11
Vertical Blinds: Stay Clear™ Channel Panel for Fabric Vanes	12
Vertical Blinds, Sheer Vertical Blinds: Paired Blinds, Vane Replacement Ordering	12
Sheer Vertical Blinds: Hem Style, Cut Yardage	13
Vertical Blinds: Square-Corner Valance	14
Vertical Blinds, Sheer Vertical Blinds: Round-Corner, Double Round-Corner Valances	14
Sheer Vertical Blinds: Dauphine® Valance	14
Vertical Blinds, Sheer Vertical Blinds: Bay and Corner Windows	15
Vertical Blinds: Specialty Shapes: Curved Headrail, Curved Headrail Measuring Guide	16
Vertical Blinds: Specialty Shapes: Angled Window Headrail	17

General Information

Vertical Blinds, Sheer Vertical Blinds: Installation Hardware, Number of Mounting Brackets	18
Vertical Blinds, Sheer Vertical Blinds: Clear Opening: How to Measure for Uncovered Window	19
Vertical Blinds: Vane Stacking Chart: G-71 Super-Vue® 3½" (8.9 cm)	19
Vertical Blinds: Vane Stacking Chart: G-98 Ultra-Vue™ 3½" (8.9 cm), Vane Stacking Chart: G-85 Dura-Vue® 3½" (8.9 cm)	20
Vertical Blinds: Vane Stacking Chart: One Touch® Control	21
Sheer Vertical Blinds: Vane Stacking Chart: Outside Mount, Vane Stacking Chart: Inside Mount	22
Sheer Vertical Blinds: Vane Color Coordination Chart	23
G-71 Super-Vue Product Detail	24
G-98 Ultra-Vue Product Detail	25
G-85 Dura-Vue Product Detail	26
Sheer Vertical Blinds: G-71 Super-Vue Product Detail	27



Table of Contents

Price Charts and Options Pricing

Price Group A: G-71 Super-Vue and G-98 Ultra-Vue	.29
Price Group A: G-85 Dura-Vue	.29
Price Group B: G-71 Super-Vue and G-98 Ultra-Vue	.30
Price Group B: G-85 Dura-Vue	.30
Price Group C: G-71 Super-Vue and G-98 Ultra-Vue	.31
Price Group C: G-85 Dura-Vue	.31
Price Group C: Stay Clear Channel Panel Surcharges	.31
Price Group D: G-71 Super-Vue and G-98 Ultra-Vue	.32
Price Group D: G-85 Dura-Vue	.32
Price Group D: Stay Clear Channel Panel Surcharges	.32
Price Group E: G-71 Super-Vue and G-98 Ultra-Vue	.33
Price Group E: G-85 Dura-Vue	.33
Price Group E: Stay Clear Channel Panel Surcharges	.33
Price Group F: G-71 Super-Vue and G-98 Ultra-Vue	.34
Price Group F: G-85 Dura-Vue	.34
Price Group F: Stay Clear Channel Panel Surcharges	.34
Price Group G: Sheer Vertical Blinds: Gossamer, Highlight	.35
Price Group H: Sheer Vertical Blinds: Bengali, Cascade, Dijon	.35
Options Pricing	.36
Vertical Blinds: Headrail Pricing	.37
Vertical Blinds: Curved Headrail Surcharge	.37
Sheer Vertical Blinds: Replacement Headrail Pricing	.37
Sheer Vertical Blinds: Replacement Fabric Pricing	.37
Sheer Vertical Blinds: Replacement Valance Fabric only Pricing	.37
Replacement Dauphine Valance with Shirred Fabric Pricing	.37
Replacement Round-Corner Valance Pricing	.37
Replacement Double Round-Corner Valance Pricing	.37

Features

- Choose from a variety of fabric, crown, or s-shaped vinyl vanes
- S-shaped vanes feature a rolling drapery look
- Fabric vanes can be free hanging or inserted into channel panel for more light control and privacy
- Many vinyl styles coordinate with Graber® 2" (5.1 cm) Vinyl Horizontal Blinds
- Several fabric styles coordinate with Graber FashionPleat®, EvenPleat®, or LightWeaves® Shades

Vertical Blinds: Vane Styles and Information

Collection Name	Price Chart	Material Content	Light Control	Vane Style	Street Side Appearance	Coordinates
Fabric						
Allure	E	Fabric	Light filtering/ room darkening	FH or INS		LightWeaves Roller
Baskerville	C	Fabric	Light filtering/ transparent	FH or INS		
Brighton FR	C	Fabric	Light filtering	FH or INS		FashionPleat and EvenPleat
Compass®	F	Fabric	Room darkening	FH		
Crossweave®	F	Fabric	Light filtering	FH or INS		LightWeaves Roller, FashionPleat, and EvenPleat
Devon	D	Fabric	Light filtering	FH or INS		
Grasses	D	Fabric	Light filtering	FH or INS		
Harmony®	C	Fabric	Light filtering/ transparent	FH or INS		LightWeaves Roller
Network	F	Fabric	Light filtering	FH or INS		
Prescott®	F	Fabric	Room darkening	FH		
Royale®	E	Fabric	Light filtering/ transparent	FH or INS		LightWeaves Roller
Sheffield®	C	Fabric	Light filtering/ transparent	FH or INS		LightWeaves Roller
Strings	E	Fabric	Transparent	FH		
Tahiti Weave	D	Fabric	Light filtering	FH or INS		
Thatch	D	Fabric	Light filtering	FH or INS		
Tuvalu®	E	Fabric	Light filtering/ transparent	FH or INS		EvenPleat
Urban Loft®	E	Fabric	Light filtering/ transparent	FH or INS		
S-Shaped Vinyl						
Georgetown S	E	100% vinyl	Room darkening	S-shaped	Neutral	2" (5.1 cm) horizontal vinyl
Homespun II S	D	100% vinyl	Room darkening	S-shaped	Neutral	
Linen S	C	100% vinyl	Room darkening	S-shaped	Neutral	2" (5.1 cm) horizontal vinyl
Quantum S	C	100% vinyl	Room darkening	S-shaped	Neutral	
Crown Vinyl						
Acropolis	E	100% vinyl	Room darkening	Crown	Neutral	
Cachet	B	100% vinyl	Room darkening	Crown	Neutral	2" (5.1 cm) horizontal vinyl
Channel Panel	B	100% vinyl	Room darkening	Crown	Same front and back	
Chenille	D	100% vinyl	Room darkening	Crown	Neutral	
Coronation	E	100% vinyl	Room darkening	Crown	Neutral	2" (5.1 cm) horizontal vinyl
Crown	A	100% vinyl	Room darkening	Crown	Neutral	2" (5.1 cm) horizontal vinyl
Fiber	B	100% vinyl	Room darkening	Crown	Same front and back	2" (5.1 cm) horizontal vinyl
Grotto	A	100% vinyl	Room darkening	Crown	Neutral	
Homespun II	C	100% vinyl	Room darkening	Crown	Neutral	2" (5.1 cm) horizontal vinyl
Kensington	E	100% vinyl	Room darkening	Crown	Neutral	2" (5.1 cm) horizontal vinyl
Lake Forest®	C	100% vinyl	Room darkening	Crown	Same front and back	Lake Forest Faux Wood Blinds
Parallels	D	100% vinyl	Room darkening	Crown	Neutral	
Quantum	B	100% vinyl	Room darkening	Crown	Neutral	2" (5.1 cm) horizontal vinyl
Rapture	C	100% vinyl	Room darkening	Crown	Neutral	2" (5.1 cm) horizontal vinyl
Safari	D	100% vinyl	Room darkening	Crown	Neutral	2" (5.1 cm) horizontal vinyl
Satin Stripe	C	100% vinyl	Room darkening	Crown	Neutral	
Stowe	B	100% vinyl	Room darkening	Crown	Neutral	
Window Weaves	B	100% vinyl	Room darkening	Crown	Neutral	

®Oeko-Tex® fabric

FR—Flame resistant NFPA 701

FH—Free hanging fabric

INS—Fabric inserted into channel panel

Features

Sheer vertical blinds combine the soft look of sheer fabric draperies and the light control benefits of vinyl vertical blinds. When the vanes are open, softly diffused light streams into the room through sheer fabric for minimal privacy and light control; when closed, light is blocked from entering the room to provide maximum privacy and light control. Not only for patio doors, sheer vertical blinds also look beautiful on wider or uniquely shaped windows. Plus, sheer vertical fabrics are easily removed and machine washable.

- Fabric easily installed and removed—no need to take down entire blind
- Easily replace original fabric with different style or color when décor changes
- Fabric is machine washable
- Color coordinated thread for a finished appearance
- Heavy-duty aluminum headrail with steel pantograph system ensures smooth operation and proportional spacing of vanes
- Available as both inside and outside mount
- Cord and chain control only
- Stems are removable for easy replacement in the home

Sheer Vertical Blinds: Styles, Fabric Content, and Light Control

Collection Name	Price Chart	Material Content	Light Control	Vane Style	Street Side Appearance	Coordinates
Bengali	H	100% polyester	Sheer/room darkening	FH	Neutral	Graber® Artisan
Cascade	H	100% polyester	Sheer/room darkening	FH	Neutral	Graber Artisan
Dijon	H	100% polyester	Sheer/room darkening	FH	Neutral	
Gossamer	G	100% polyester	Sheer/room darkening	FH	Neutral	Graber Artisan
Highlight	G	100% polyester	Sheer/room darkening	FH	Neutral	Graber Artisan

Light Control Levels

Light Filtering:

Light is filtered to varying degrees depending on fabric style and color; silhouettes of objects and people are visible through the blind.

Room Darkening:

Light is substantially blocked; vague shadows of objects or people may be visible; maximum room darkening is achieved with darker colors.

Openness:

The amount of UV ray blockage is the inverse of a fabric's openness factor (i.e., a fabric with 5% openness blocks 95% of UV rays).

Oeko-Tex® Standard 100 Certified Fabrics

Oeko-Tex Standard 100 certifies that our fabrics are free of PVC, halogen, lead, formaldehyde, allergenic dyes, pesticides, phenols, heavy metals, and meet all VOC content limits.

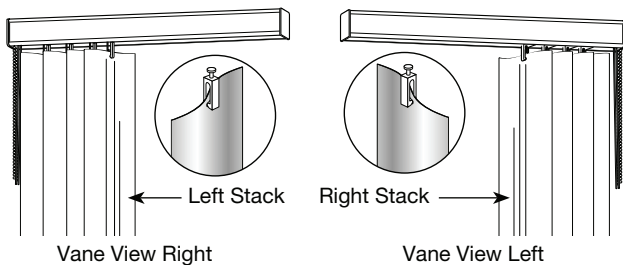
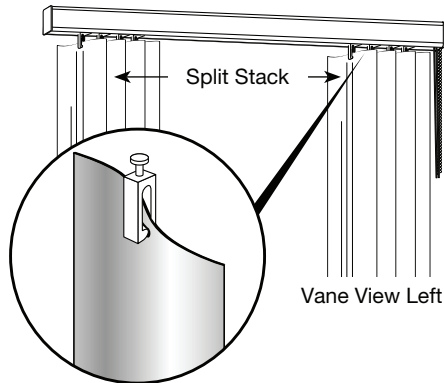
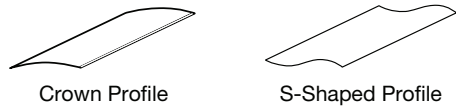


NFPA 701

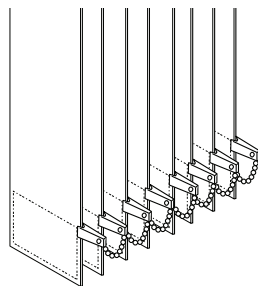
NFPA 701 Flame resistance test is the standard method of fire tests for flame propagation of textiles and films by the National Fire Protection Agency.

Features

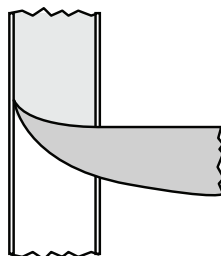
Vertical Blinds: Vane Features



Vane View: Side the color or texture is facing when vanes are rotated open so you can see through the vanes to the street.



Free Hanging Fabric with Bottom Chain and Clips



Vane Material Inserted in Channel Panel

Vinyl Styles

- All vinyl vanes offer value, durability, easy cleaning, and superior light control
- Choose from embossed crown, smooth crown, or S-shaped embossed vinyl vanes
- Embossed textures offered in solids or prints with the look of jacquard or linen fabrics, wood, or stucco
- Coordinating 2" (5.1 cm) horizontal vinyl blinds available for many styles; for pricing on 2" (5.1 cm) horizontal vinyl blinds, see the Graber® 2" (5.1 cm) horizontal vinyl price list

Vinyl Crown Vanes

- Traditional curved vanes

Vinyl S-Shaped Vanes

- Provide a more drapery like look to your vertical blinds
- Provide better closure for more light control and privacy
- Valances are made with crown PVC of the same texture and color; dye lot cannot be guaranteed
- S-shaped vanes are NOT reversible; vane view shows which side the color/texture is facing when vanes are rotated open so you can see out the window
 - Right stack and split stack—left
 - Left stack—right
- You may choose a vane view other than the recommended if you are concerned about which side of the vane you will see when blinds are rotated open
- For paired, bay and corner blinds, the same vane view is recommended for all blinds

NOTE: See illustrations on how S-shaped vanes will hang.

Fabric Vanes

- Designer fabric vane styles range from sheer to room darkening in a variety of weaves and materials
- Free-hanging vanes come with sewn-in bottom weights and optional chain and clips
- For increased privacy and room darkening, fabric vanes can be inserted into channel panels; the clear edge channels hold fabric securely and will not yellow over time; the opaque vinyl vanes provide additional privacy and light control; see price chart G for replacement pricing
- Coordinating Graber pleated, Roman, solar and roller shade fabric and Graber sliding panels are available for selected styles
- Available in 3½" (8.9 cm) fabric styles

Additional Information

- Due to the nature of vane materials (both fabric and vinyl prints), colors may vary slightly from dye lot to dye lot; exact matches cannot be guaranteed
- Due to the random design of some vane patterns, exact alignment of the pattern across the blind is not possible

Size Considerations

Vertical Blinds

	Width			Height	
	Minimum Single Stack inches (cm)	Minimum Split Stack inches (cm)	Maximum inches (cm)	Minimum inches (cm)	Maximum inches (cm)
G-71 Super-Vue®	9 (22.9)	12 (30.5)	191 (485.2)	12 (30.5)	192 (487.7)
G-98 Ultra-Vue™	9 (22.9)	17 (43.2)	191 (485.2)	12 (30.5)	192 (487.7)
G-85 Dura-Vue®	9 (22.9)	12 (30.5)	178¾ (454.1)	12 (30.5)	144 (365.8)
One Touch®	9 (22.9)	N/A	144 (365.8)	12 (30.5)	96 (243.9)



One Touch Control: 10,080 square inches (6.5 m²) maximum overall size. Minimum wand length is 33" (83.9 cm).

Factory Deductions

Mount	Mount Bracket Location	Valance	Height Deduction G-71 inches (cm)	Height Deduction G-98 inches (cm)	Height Deduction G-85 inches (cm)
Outside	All types	Yes/no	0 (0.0)	0 (0.0)	0 (0.0)
Inside	Ceiling or top	No	⅝ (1.6)	½ (1.3)	½ (1.3)
Inside	Ceiling or top	Yes	¾ (2.0)	⅝ (1.6)	½ (1.3)
Inside	Wall or back	No	1⅞ (2.7)	⅞ (2.3)	⅞ (2.3)
Inside	Wall or back	Yes	1⅞ (2.9)	1⅞ (2.9)	1⅞ (2.9)

Mount	Width Deductions
Outside	0 (0.0)
Inside	¼ (0.7)


Depth Requirements for Inside Mount

	Headrail Dimensions inches (cm)	 Minimum Depth Mount inches (cm)	Headrail Flush with Casing (vanes and/or valance not flush with casing) inches (cm)	Depth Needed for Flush Mount Vane inches (cm)	 Depth Needed for Flush Mount Vane inches (cm)
G-71 Super-Vue	1⅜ x 1⅞ ₆ (3.5 x 5.0)	2⅝ (6.1)	3 (7.7)	3¾ (9.6)	4⅞ (11.8)
G-98 Ultra-Vue	1⅞ x 1⅞ ₆ (2.9 x 3.5)	2⅝ (6.1)	2⅞ ₆ (6.9)	3¾ (9.6)	4⅞ (11.8)
G-85 Dura-Vue	1⅞ ₆ x 1½ ₆ (3.4 x 3.9)	2⅝ (6.1)	2¾ (7.0)	3¾ (9.6)	4⅞ (11.8)

Sheer Vertical Blinds

	Width		Height	
	Minimum inches (cm)	Maximum inches (cm)	Minimum inches (cm)	Maximum inches (cm)
Sheer Vertical Blinds	17 (43.2)	191 (485.2)	19 (48.3)	104 (264.2)

Depth Requirements for Inside Mount

 Minimum Depth Partially Recessed Mount inches (cm)	Depth Needed for Flush Mount Headrail inches (cm)	Depth Needed for Flush Mount Vane inches (cm)	Depth Needed for Flush Mount Valance inches (cm)
2⅝ (6.1)	3 (7.7)	5¼ (13.4)	6 (15.3)

Partially Recessed: A partially recessed window treatment is where the depth of the window casing is less than the space necessary for a flush mount.

Flush Mount: If the window casing is deep enough to mount the entire blind inside of it, this is called a flush mount.

Options

Summary

The following is a list of options for vertical and sheer vertical blinds. All options are available in all styles and colors. Limitations will be based on fabric width. See detailed descriptions on the following pages.

Vertical Blinds

Control Type Options—No Charge

- Standard cord and chain controls
- One Touch® Control

Options—No Charge

- Bay and corner windows
- Paired blinds
- Projection bracket: 4 $\frac{3}{8}$ " (11.2 cm)

Options—Surcharge (see price charts for pricing and/or surcharges)

- Bottom chain and clips (fabric)
- Bottom chain (vinyl)
- Cut-outs
- Round-corner valance
- Double round-corner valance
- Square-corner valance
- Stay Clear™ channel panels
- Wood cornices and valances (see cornices and valances price list)

Specialty Options (see price charts for pricing and/or surcharges)

- Angled top
- Curved headrail

Sheer Vertical Blinds

Control Type Options—No Charge

- Standard cord and chain controls

Options—No Charge

- Bay and corner windows
- Dauphine® valance
- Paired blinds

Options—Surcharge (see price charts for pricing and/or surcharges)

- Wood cornices and valances (see cornices and valances price list)
- Round-corner valance
- Double round-corner valance

Options

Vertical Blinds: Control Options



Cord and Chain—Standard

- No charge
- Cord controls vane traverse
- Chain controls vane rotation

One Touch® Wand Control

- No charge
- A slender wand controls vane rotation and traversing
- Simple, convenient, safe (no cords and chains)
- Recommended for homes with children or pets
- Available with single stack only; no split stack or opposite stack
- Wand is always attached to leading vane

Width		Height	
Minimum inches (cm)	Maximum inches (cm)	Minimum inches (cm)	Maximum inches (cm)
9 (22.9)	144 (365.8)	12 (30.5)*	96 (243.9)

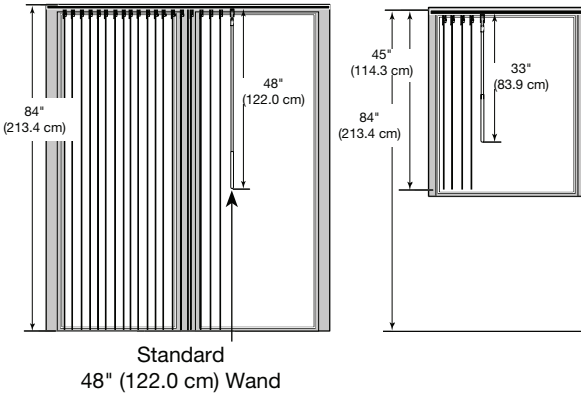
Maximum overall size: 10,080 square inches (6.5 m²) (w x h)

Wand Sizes

Keep in mind that the wand length is determined by the finished blind height. If the vertical blind covers a patio door or the bottom of the vertical blind reaches the floor, the following chart indicates wand length. If the headrail distance from the floor is greater than 77" (195.6 cm) or there is any furniture in front of the blind, specify a 48" (122.0 cm) or 60" (152.4 cm) wand for easy accessibility.

Blind Height inches (cm)	Wand Height inches (cm)
77 (195.6) or less*	33 (83.9)
77½ to 92 (195.9 to 233.7)	48 (122.0)
92½ to 96 (234.0 to 243.9)	60 (152.4)

*If blind is less than 35" (88.9 cm), wand will be longer than vanes. The standard cord and chain control is recommended.



Sheer Vertical Blinds: Control Options

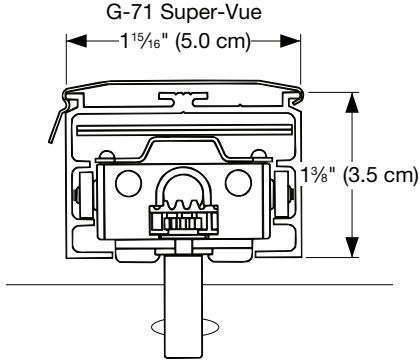


Cord and Chain—Standard

- No charge
- Cord controls vane traverse
- Chain controls vane rotation

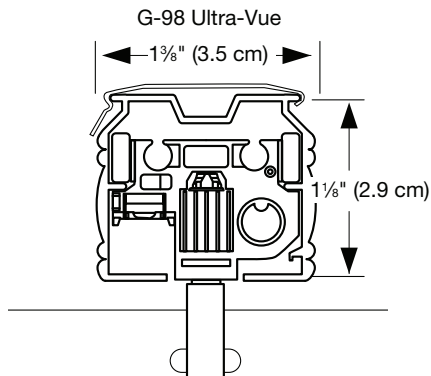
Options

Vertical Blinds: Headrail Systems



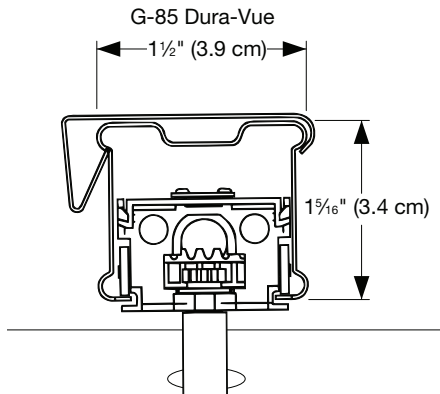
G-71 Super-Vue®

The top-of-the-line G-71 Super-Vue features the patented pantograph traversing system to assure proportional spacing of vanes when closed. G-71 Super-Vue is available in a smooth, anodized aluminum channel. Ball bearing pulleys in the control mechanism and thermoplastic self-lubricating wheels on every carriage allow for smooth traversing vanes. Clear stems provide a sleek appearance with both fabrics and vinyl vanes. E-Z Open™, available only on the G-71 headrail, automatically rotates the vanes when the cord is pulled to traverse the blind.



G-98 Ultra-Vue™

The anodized aluminum G-98 Ultra-Vue headrail system traverses vanes smoothly through the consecutive action of stainless steel pick-up tails. Ultra-Vue carriers are wheeled for smooth traversing and are self-aligning.



G-85 Dura-Vue®

G-85 Dura-Vue headrails traverse vanes smoothly with a thermoplastic strap system. Dura-Vue steel headrail is offered in an ivory painted finish. Dura-Vue carriers are wheeled for smooth traversing.

The design of all Graber® headrails allows for reversible installation, providing versatile placement of controls on either the left or right.

Options

Vertical Blinds and Sheer Vertical Blinds: Stacking Options



Split Stack
Left Controls
(right controls available)



Left Stack
Same Side Stack
and Controls



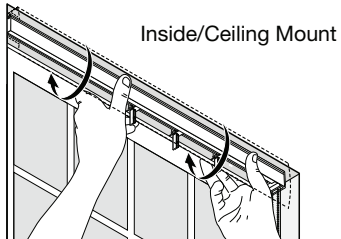
Right Stack
Same Side Stack
and Controls



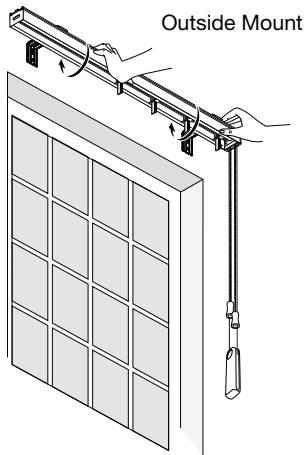
Opposite Stack
and Controls

VERTICALS ONLY: There is a surcharge for center/uneven stack and opposite stack.
Center/uneven stack available on G-71 Super-Vue® Headrails for blinds with vanes only.

Vertical Blinds and Sheer Vertical Blinds: Installation Types



Inside/Ceiling Mount

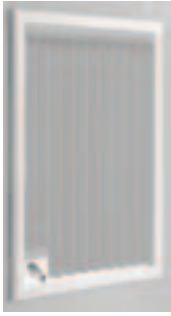


Outside Mount

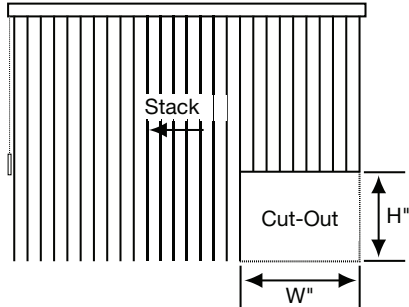
1. **Inside Mount—Ceiling or Top of Window Frame** (standard)
Manufacturing height deduction is taken for blinds being installed as inside, ceiling mount with or without a valance.
2. **Inside Mount—Wall or Back of Window Frame**
Manufacturing height deduction is taken for blinds being installed as inside mount using the L-bracket for a wall mount. An additional manufacturing height deduction is taken if a valance is included, to accommodate the height of the Dauphine® valance bracket.
3. **Outside Mount—Wall or Back** (standard)
No manufacturing height deduction is taken.
4. **Outside Mount—Ceiling or Top** (optional)
No manufacturing height deduction taken.

Options

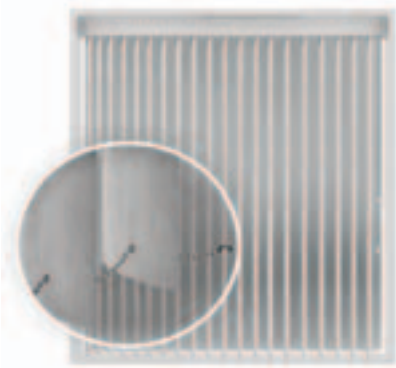
Vertical Blinds: Cut-Out Blinds



- **For surcharges, see options pricing**
- Order when air conditioner, heating register, or other object would interfere with vanes
- Blind must stack away from cut-out area
- Specify size and base price by maximum width and height of blind
- Submit drawing to identify size and location of cut-out (see example)
- Minimum cut-out width 3½" (8.9 cm)
- Cut-out must be a full vane width (3½" (8.9 cm)); therefore may be wider than ordered
- Not available with bottom chain



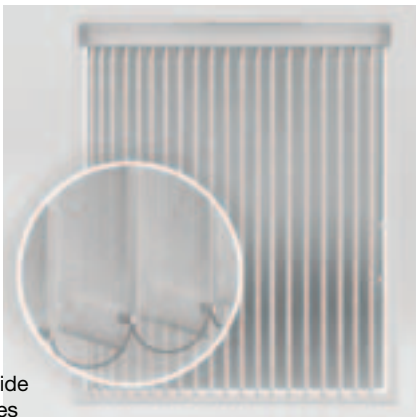
Vertical Blinds: Bottom Chain



- **For surcharges, see options pricing**
- Optional, must be requested at time of order
- Not available with channel panel, S-shaped vanes, angle top, or cut-out blinds

Bottom Chain
Vinyl Vanes
Must be requested at time of order.

Vane Style	Standard/Option	Description
Fabric	Standard	3-sided sewn-in weight
	Option	Single nickel-plated chain at back of vanes with clips
Vinyl	Standard	No bottom chain
	Option	Single nickel-plated chain in the middle of the vanes
Channel Panel	Standard	No bottom weights or chain

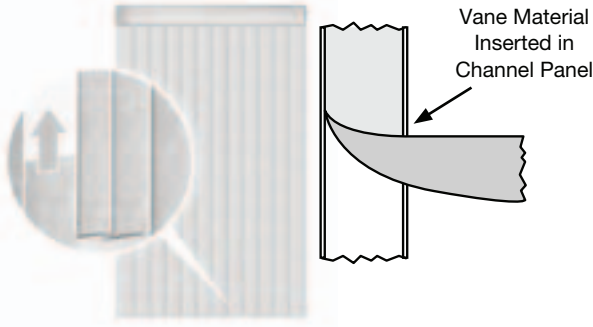


Back Side
Of Vanes
Shown

Bottom Chain and Clip
Fabric Vanes
Free Hang Only.

Options

Vertical Blinds: Stay Clear™ Channel Panel for Fabric Vanes



- **See surcharge on price charts**
- Replacement channel panel pricing, see price chart B
- Vane material inserted into extruded channel panel with clear edges; see blind features for fabric styles available
- Offers improved privacy, room darkening, and a neutral color appearance from exterior of window
- Channel panel colors are: Ivory (#7137) or White (#7136)
- Not available with bottom chain

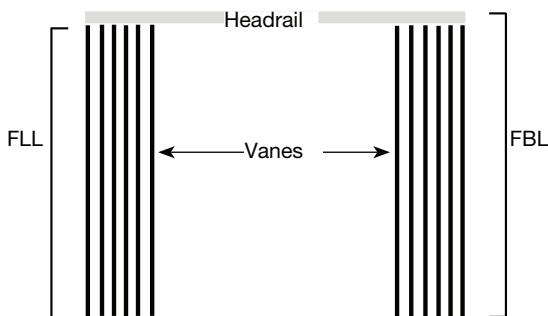
Vertical Blinds and Sheer Vertical Blinds: Paired Blinds



- **Price as two separate blinds**
- The appearance of a split stack blind can be achieved by pairing blinds; the center opening point can be either on center or off center
- Paired blinds can also be used when the required width is larger than the maximum width available for a single blind
- Specify paired blinds on your order
- Control locations must be same as stack
- Recommend ordered as left/left and right/right
- Square-corner valance with dust cover only
- **Available with one-way cord and chain only**

Vertical Blinds and Sheer Vertical Blinds: Replacement Vane Ordering

See the column at the far right of each price chart, for individual vane pricing based on material desired.



How to Price a Replacement Vane

- Use the price charts for individual vane pricing
- Determine which chart based on material desired
- Locate height of your vane on the left side of the chart
- Use the price on the right side of chart that coincides with the height of vane desired

How to Measure a Replacement Existing Vane, No Changes

- Measure the vane(s) from tip to tip to determine the exact finished vane length/height (FLL)
- No additional deductions will be taken by manufacturing; vanes will be manufactured to the exact size you provide
- Submit the measurement as exact height

How to Measure a Replacement Existing Vane, Changing the Height of the Vanes

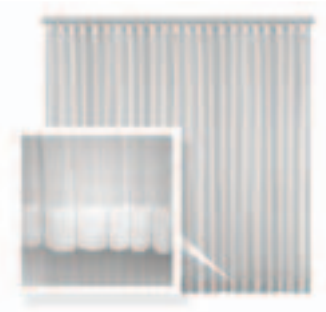
- Measure from top of mounted headrail to bottom of location to be covered.
- Record this measurement; this is the finished blind length/height (FBL)
- Manufacturing will take appropriate deduction so vanes will cover desired area

NOTE: Free hang fabric vanes include bottom weights.

Bottom chains for vinyl vanes are optional; must be specified at time of order

Options

Sheer Vertical Blinds: Hem Style



- 4" (10.2 cm) drapery hem is standard

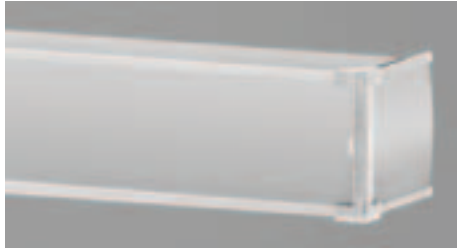
Sheer Vertical Blinds: Cut Yardage



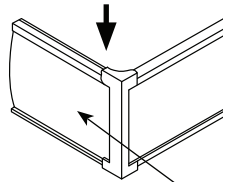
- **For pricing, see options pricing**
- Create matching soft window treatments, scarves, swags, or toppers
- All fabrics are available by the yard (1 yard (91.5 cm) minimum) and are 117" (297.2 cm) wide
- Cut yardage fabric may not be an exact match due to dye lot variations
- Cut yardage fabric may need to be ironed when received using low temperature setting
- Cut yardage is provided as is; there is no warranty regarding suitability in desired application; not recommended for upholstery; edges are not finished

Options

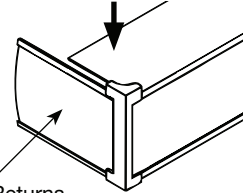
Vertical Blinds: Square-Corner Valance



Square-Corner Valance without Dust Cover



Square-Corner Valance with Dust Cover



5 1/2" (14.0 cm) Returns

- For surcharge, see price charts
- The square-corner valance is an extruded vinyl, Stay-Clear™ channel panel, which is sized to hold 3 1/2" (8.9 cm) wide vane material; it includes two 5 1/2" (14.0 cm) returns
- Valances greater than 192" (487.7 cm) must have a dust cover

Maximum Valance Size Limitations

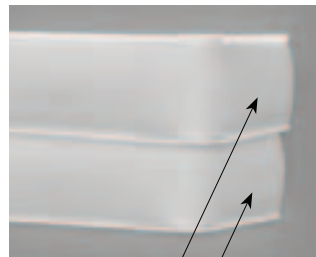
	Valance		Returns	
	Maximum Vinyl inches (cm)	Maximum Fabric inches (cm)	Minimum inches (cm)	Maximum inches (cm)
Square-Corner Valance	191 (485.2)	191 (485.2)	3 (7.7)	8 (20.4)

Vertical Blinds and Sheer Vertical Blinds: Round-Corner and Double Round-Corner Valances



5 1/2" (14.0 cm) Return

Round-Corner Valance



5 1/2" (14.0 cm) Return
4" (11.8 cm) Return

Double Round-Corner Valance

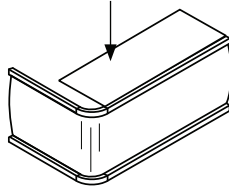
Outside Mount Only

- For surcharge, see price charts
- The round-corner valance system features the Stay-Clear channel panel and is guaranteed not to yellow; accommodates vinyl and fabric vanes as inserts; S-shaped style vanes use matching crown profile for valance insert
- Create a layered look with a double round-corner valance
- Round and double round-corner valances include 5 1/2" (14.0 cm) returns
- Single round-corner valance = 3 3/4" (9.6 cm) high
- Double round-corner valance = 6 1/2" (16.6 cm) high

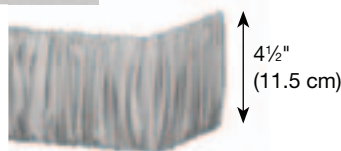
Maximum Valance Size Limitations

	Valance		Returns	
	Maximum Vinyl inches (cm)	Maximum Fabric inches (cm)	Minimum inches (cm)	Maximum inches (cm)
Round-Corner Valance	175 (444.5)	191 (485.2)	3 (7.7)	8 (20.4)
Double Round-Corner Valance	175 (444.5)	191 (485.2)	3 (7.7)	8 (20.4)

Round-Corner Valance with Dust Cover



Sheer Vertical Blinds: Dauphine® Valance



4 1/2" (11.5 cm)

- No charge
- Fabric is Shirred for a soft look
- Snap-in brackets for easy installation
- Threader cap provides no-snap Shirring of sheer fabric
- Notched for minimum 2 1/2" (6.4 cm) returns and will extend to 7 1/2" (19.1 cm) using the additional return slides which are included

NOTE: Top hem of blind will be visible below the Dauphine valance. Also available are wood cornices and valances; see cornice and valance price list for more information.

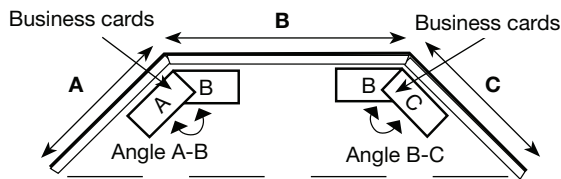
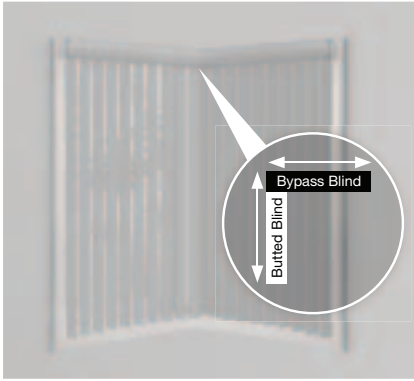
Options

Vertical Blinds and Sheer Vertical Blinds: Bay and Corner Windows

- No charge
- Minimal corner gaps
- Square-corner valance with dust cover only
- Chain and cord only

- Each blind is controlled separately
- List each track width and height on separate lines
- Price as separate blinds
- If no deductions are required, do not order as bay or corner

Measuring Information



Corner Window

Measure: Width of each window from corner to the point you would like to cover.

Three-Sided Bay Window

Measure:

- A and C: Width of side windows from the corners to the point you would like the blind to cover.
- B: Width of the center window from corner to corner.
- Angle A-B: Angle between windows (A) and (B).
- Angle B-C: Angle between windows (B) and (C).

Measure bay angle using protractor or angle finder. Or use two business cards in bay corner as illustrated and fax to customer service.

Four-Sided Bay Window

Measure:

- A and D: Width of side windows from the corners to the point you would like the blind to cover.
- B and C: Width of each window from corner to corner.
- Angle A-B: Angle between windows (A) and (B).
- Angle B-C: Angle between windows (B) and (C).
- Angle C-D: Angle between windows (C) and (D).

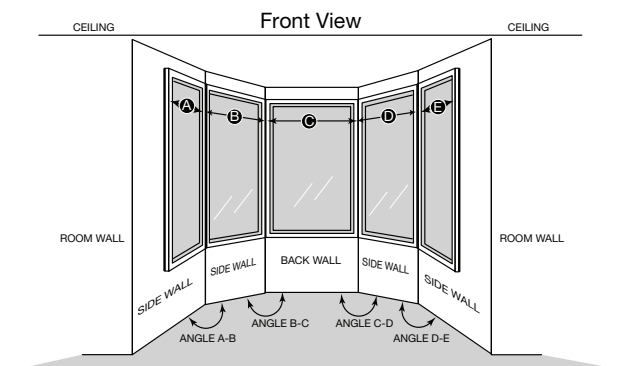
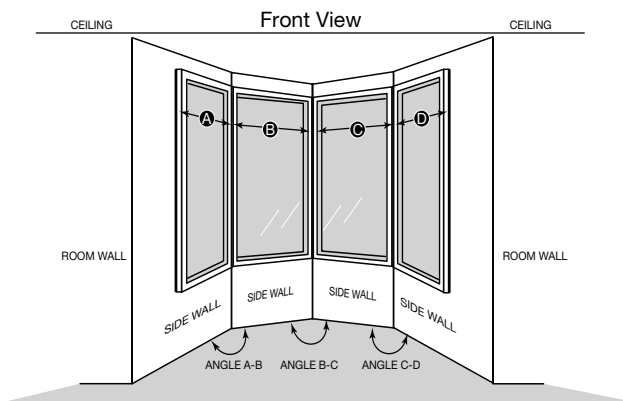
Measure bay angle using protractor or angle finder. Or use two business cards in bay corner as illustrated and fax to customer service.

Five-Sided Bay Window

Measure:

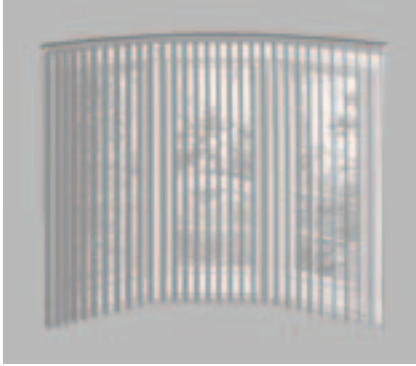
- A and E: Width of side windows from the corners to the point you would like the blind to cover.
- B, C and D: Width of each center window from corner to corner.
- Angle A-B: Angle between windows (A) and (B).
- Angle B-C: Angle between windows (B) and (C).
- Angle C-D: Angle between windows (C) and (D).
- Angle D-E: Angle between windows (D) and (E).

Measure bay angle using protractor or angle finder. Or use two business cards as illustrated and fax to customer service.

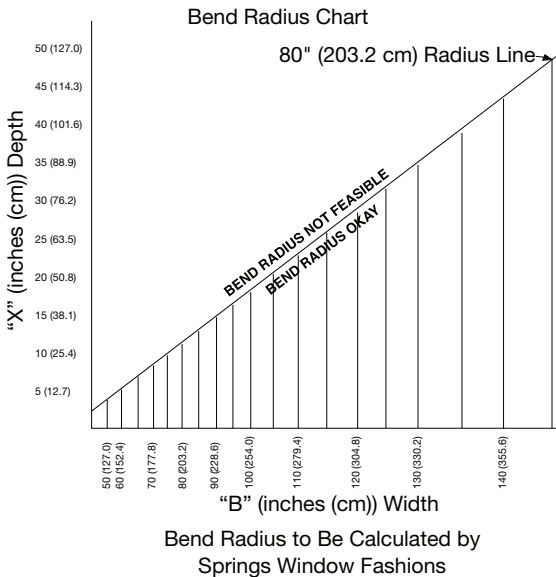


Options

Vertical Blinds: Specialty Shapes: Curved Headrail Blinds



- For surcharges, see options pricing
- Minimum width 48" (122.0 cm) exact
- Maximum width 168" (426.8 cm)
- See chart for feasibility
- **NOT available with a valance and cornice**
- **One Touch® Control not available**



Curved Headrail Bend Radius Chart

Headrail cannot be bent to a radius tighter than 80" (203.2 cm).

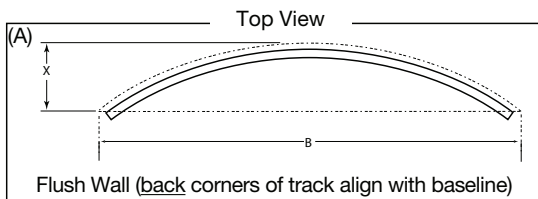
To check your application for bend radius:

1. Determine preferred application—A, B, or C (below).
2. Measure (B) and (X) for your application (diagrams below).
3. On the Bend Radius Chart, draw a line up from your (B) dimension and over from your (X) dimension.
4. If your two lines intersect below the 80" (203.2 cm) radius line, application is okay.
If lines intersect above the 80" (203.2 cm) radius line, application is not feasible.
5. **Factory will make allowance for vane clearance.**

NOTE: Depending on bend, separate tracks may be recommended by factory.

Curved Headrail Measuring Guide

See appropriate window drawing. To ensure a proper fit, fax a diagram to customer service.

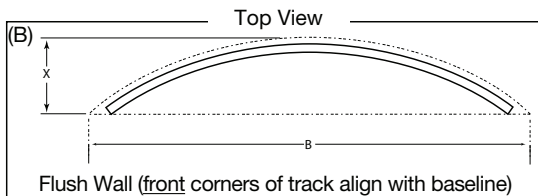


Factory will make allowance for vane clearance.

Measurements should be taken from wall to wall or window to window.

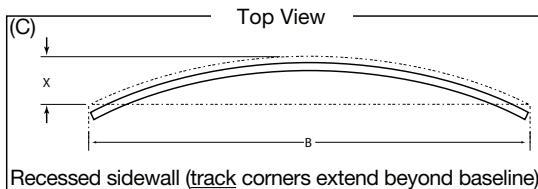
Standard Application (A)

Measure exact window baseline (B) and depth (X). Factory will make deduction for vane clearance. Diagram shows back corner of track sitting on the baseline. **This minimizes light gaps at ends of tracks.**



Optional Application (B)

Measure exact window baseline (B) and depth (X). Indicate that front corners of headrail should be flush with baseline. Factory will make appropriate deductions. Diagram shows front corners of track sitting on the baseline. **This application could leave light gaps at end of track giving visibility to outside.**

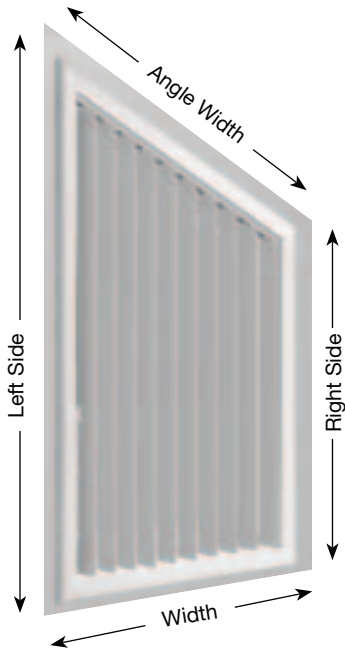


Optional Application (C)

Measure exact window baseline (B) and depth (X). Also indicate recessed wall measurement. Factory will take deductions for vane clearance. Diagram shows track extending beyond the baseline. **This will help cover the side walls to minimize any light gap.**

Options

Vertical Blinds: Specialty Shapes: Angled Window Headrail



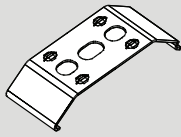

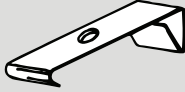
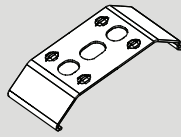
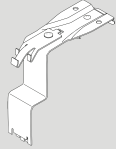
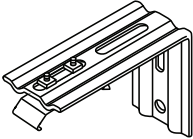
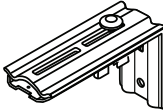
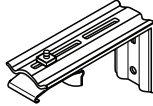
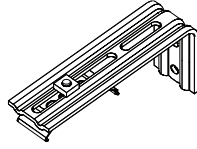
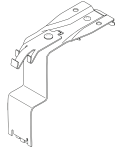
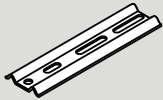
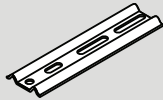
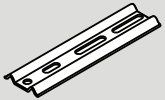
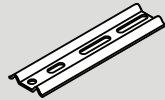
- **For surcharges, see options pricing**
- Ideal for sloping, cathedral-type windows
- Only available in single stack cord control vertical blinds
- Vane stack and cord control must be at the highest point of the window
- Exact dimensions must accompany orders to ensure proper fit
- Steepest slope possible is 55°
- Maximum size: 144" wide x 144" (365.8 cm x 365.8 cm) long, depending on angle
- Minimum low end is 6" (15.3 cm)
- Available on G71 Super-View® headrail only
- Square-corner valance with dust cover only; must be mitered at time of installation
- E-Z Open™ standard—no charge
- Bottom chains are not available

Measuring Outside Mount

1. Measure exact width and height of area to be covered.
It is recommended that shades overlap window frame or opening by 1½" (3.9 cm) on each side.
2. Measure height of opening on left side and mark this dimension "left". Allow for overlap as desired: 1½" (3.9 cm) on top and bottom is recommended.
3. Measure height of opening on right side and mark this dimension "right". Allow for the same overlap as left side.
4. Factory will determine the angle from these three dimensions.

General Information

Vertical Blinds and Sheer Vertical Blinds: Installation Hardware

	G-71	G-98	G-85	Sheer Vertical Blinds	
Track Clip for Inside or Ceiling Mount					Dauphine® Valance Bracket 
L-Bracket for Outside or Wall Mount					Dauphine Valance Bracket 
Optional Flat Projection Bracket (NOTE: Attaches to angle bracket with nut/bolt pairs. Must be requested at time of order.)					

Vertical Blinds and Sheer Vertical Blinds: Number of Mounting Brackets

Sheer Vertical Blinds: Number of headrail and Dauphine® valance mounting brackets

Blind Width inches (cm)	17 to 54 (43.2 to 137.2)	54 ¹ / ₁₆ to 81 (137.4 to 205.8)	81 ¹ / ₁₆ to 108 (205.9 to 274.4)	108 ¹ / ₁₆ to 135 (274.5 to 342.9)	135 ¹ / ₁₆ to 162 (343.1 to 411.5)	162 ¹ / ₁₆ to 191 (411.7 to 485.2)
Number of Brackets	2	3	4	5	6	7

G-98 Headrail

Blind Width inches (cm)	9 to 50 (22.9 to 127.0)	50 to 90 (127.0 to 228.6)	91 to 130 (231.2 to 330.2)	131 to 170 (332.8 to 431.8)	171 to 191 (434.4 to 485.2)
Number of Brackets	2	3	4	5	6

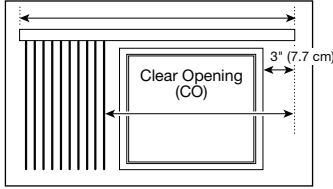
G-71 and G-85 Headrail

Blind Width inches (cm)	9 to 62 (22.9 to 157.5)	63 to 98 (160.1 to 249.0)	99 to 134 (251.5 to 340.4)	135 to 170 (342.9 to 431.8)	171 to 191 (434.4 to 485.2)
Number of Brackets	2	3	4	5	6

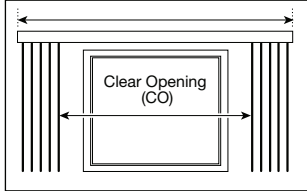
General Information

Vertical Blinds and Sheer Vertical Blinds: Clear Opening: How to Measure for Uncovered Window

Stack Left Finished Blind Width (FBW)



Split Stack
(recommended for
balanced appearance)
Finished Blind Width (FBW)



1. Determine headrail type and the clear opening width for split stack, stack right or stack left (see diagrams)—the additional 3" (7.7 cm) shown for privacy is recommended if ordering a right or left stack.
2. Match the clear opening width with dimension found under "CO" column below. For even spacing, round up width measurement to the next size in the stack chart. Split stack will have even number of vanes.
3. Order the corresponding dimension found in the "FBW" (finished blind width) column below.

EXAMPLE: Stack Left

If determined width for clear opening window view is 54¼" (137.8 cm), order width needed to provide full unobstructed view is 66¾" (169.6 cm).

NOTE: For stack right or stack left blinds add an additional 3" (7.7 cm) to the clear opening before calculating the finished blind width.

For G-98 Ultra-Vue™ and G-85 Dura-Vue® headrails, and One Touch® Control, see appropriate stacking charts for single stack blinds only on the following pages.

Vertical Blinds: Vane Stacking Chart: G-71 Super-Vue® 3½" (8.9 cm)

Number of Vanes	Single Stack		Split Stack	
	CO inches (cm)	FBW inches (cm)	CO inches (cm)	FBW inches (cm)
3	6⅞ (17.5)	10⅞ (25.8)		
4	9½ (24.2)	13¼ (33.7)	7¼ (18.5)	12½ (31.8)
5	12⅞ (30.8)	16⅞ (41.6)		
6	14⅞ (37.8)	19⅞ (49.9)	12½ (31.8)	18¼ (47.7)
7	17½ (44.5)	22¼ (57.8)		
8	20⅞ (51.2)	25⅞ (65.8)	17⅞ (45.5)	25⅞ (63.9)
9	22¼ (57.8)	29 (73.7)		
10	25⅞ (64.5)	32⅞ (81.6)	23¼ (59.1)	31⅞ (79.7)
11	28⅞ (71.5)	35⅞ (89.9)		
12	30¼ (78.2)	38⅞ (97.8)	28½ (72.4)	37¼ (95.9)
13	33⅞ (84.8)	41⅞ (105.8)		
14	36⅞ (91.8)	44¼ (113.7)	33¼ (85.8)	44 (111.8)
15	38¼ (98.5)	47⅞ (121.7)		
16	41⅞ (105.1)	51 (129.6)	39⅞ (99.4)	50¼ (127.7)
17	44 (111.8)	54¼ (137.8)		
18	46⅞ (118.5)	57⅞ (145.8)	44½ (113.1)	56⅞ (143.9)
19	49⅞ (125.5)	60⅞ (153.7)		
20	52 (132.1)	63⅞ (161.7)	49¼ (126.4)	62⅞ (159.8)
21	54¼ (138.8)	66¼ (169.6)		
22	57⅞ (145.8)	70 (177.8)	55 (139.7)	69⅞ (175.6)
23	60 (152.4)	73⅞ (185.8)		
24	62⅞ (159.1)	76¼ (193.7)	60⅞ (153.4)	75½ (191.8)
25	65¼ (165.8)	79⅞ (201.7)		
26	67⅞ (172.5)	82½ (209.6)	65¼ (167.1)	81¼ (207.7)
27	70⅞ (179.4)	85¼ (217.9)		
28	73¼ (186.1)	88⅞ (225.8)	71 (180.4)	88 (223.6)
29	75⅞ (192.8)	92 (233.7)		
30	78⅞ (199.8)	95⅞ (241.7)	76¼ (193.7)	94⅞ (239.8)
31	81¼ (206.4)	98¼ (249.6)		

Number of Vanes	Single Stack		Split Stack	
	CO inches (cm)	FBW inches (cm)	CO inches (cm)	FBW inches (cm)
32	83⅞ (213.1)	101⅞ (257.5)	81½ (207.1)	100⅞ (255.6)
33	86½ (219.8)	104⅞ (265.8)		
34	89⅞ (226.4)	107¼ (273.7)	86⅞ (220.7)	107 (271.8)
35	91¼ (233.1)	110⅞ (281.7)		
36	94¼ (240.1)	114 (289.6)	92⅞ (234.0)	113¼ (287.7)
37	97⅞ (246.7)	117⅞ (297.5)		
38	99¼ (253.4)	120⅞ (305.8)	97⅞ (247.4)	119½ (303.6)
39	120⅞ (260.1)	123¼ (313.7)		
40	105⅞ (267.1)	126⅞ (321.7)	102¼ (261.0)	125⅞ (319.8)
41	107¼ (273.7)	129⅞ (329.6)		
42	110⅞ (280.4)	132⅞ (337.6)	108⅞ (274.7)	132⅞ (335.6)
43	113 (287.1)	136 (345.5)		
44	115¼ (294.1)	139¼ (353.7)	113⅞ (288.0)	138⅞ (351.5)
45	118⅞ (300.7)	142⅞ (361.7)		
46	121 (307.4)	145⅞ (369.6)	118⅞ (301.4)	144¼ (367.7)
47	123⅞ (314.1)	148⅞ (377.6)		
48	126⅞ (321.0)	151¼ (385.5)	124 (315.0)	151 (383.6)
49	129 (327.7)	155 (393.7)		
50	131⅞ (334.4)	158⅞ (401.7)	129¼ (328.3)	157¼ (399.5)
51	134¼ (341.0)	161¼ (409.6)		
52	137 (348.0)	164⅞ (417.6)	134⅞ (342.0)	163⅞ (415.7)
53	139⅞ (354.7)	167⅞ (425.5)		
54	142¼ (361.4)	170⅞ (433.4)	139⅞ (355.3)	169⅞ (431.5)
55	144⅞ (368.0)	173⅞ (441.7)		
56	147⅞ (375.0)	177 (449.6)	145¼ (369.0)	176¼ (447.7)
57	150¼ (381.7)	180⅞ (457.6)		
58	152⅞ (388.4)	183¼ (465.5)	150½ (382.3)	182½ (463.6)
59	155⅞ (395.0)	186⅞ (473.4)		
60	158¼ (402.0)	189⅞ (481.7)	155⅞ (396.0)	188¼ (479.5)
61	159⅞ (404.2)	191 (485.2)		
62			157 (398.8)	191 (485.2)

FBW = Finished Blind Width
CO = Clear Opening
Stack = FBW - CO

For even spacing on outside mounts, round up width measurement to the next size in the stack chart. Split stack blinds must have an even number of vanes.

General Information

**Vertical Blinds: Vane Stacking Chart:
G-98 Ultra-Vue™ 3½" (8.9 cm)**

Number of Vanes	Single Stack		Split Stack	
	CO inches (cm)	FBW inches (cm)	CO inches (cm)	FBW inches (cm)
3	7¼ (18.5)	10¼ (26.1)		
4	10 (25.4)	13¾ (34.0)	8½ (21.6)	13½ (34.3)
5	12¾ (32.8)	16½ (42.0)		
6	15½ (39.4)	19 ⅝ (49.9)	14 (35.6)	19¾ (50.2)
7	18¾ (46.7)	22¼ (57.8)		
8	21¾ (53.7)	25½ (65.8)	19½ (49.6)	26 (66.1)
9	23 ⅞ (60.7)	29 (73.7)		
10	26¾ (68.0)	32½ (81.6)	25½ (63.9)	32¼ (82.0)
11	29¾ (74.7)	35½ (89.3)		
12	32¼ (82.0)	38¼ (97.2)	30¾ (77.8)	38¾ (97.5)
13	35 (88.9)	41¾ (105.1)		
14	37¾ (95.9)	44½ (113.1)	36¼ (92.1)	44¾ (113.4)
15	40½ (102.9)	47¾ (121.0)		
16	43¾ (110.2)	50¾ (129.0)	41¾ (106.1)	50¾ (129.3)
17	46¾ (117.2)	53¾ (136.9)		
18	48¾ (124.2)	57 (144.8)	47¾ (120.4)	57½ (145.1)
19	51¾ (131.2)	60 (152.4)		
20	54¾ (138.2)	63¾ (160.4)	52¾ (134.4)	63¼ (160.7)
21	57¼ (145.5)	66¼ (168.3)		
22	60 (152.4)	69¾ (176.3)	58¾ (148.3)	69½ (176.6)
23	62¾ (159.4)	72½ (184.2)		
24	65½ (166.4)	75¾ (192.1)	64 (162.6)	75¾ (192.5)
25	68¼ (173.4)	78¾ (200.1)		
26	71¾ (180.7)	80¾ (205.5)	69½ (176.6)	82 (208.3)
27	73¾ (187.7)	85 (215.9)		
28	76¾ (194.7)	88 (223.6)	75 (190.5)	88½ (223.9)
29	79¾ (201.7)	91¾ (231.5)		
30	82¼ (209.0)	94¼ (239.4)	80¾ (204.8)	94¾ (239.8)
31	85 (215.9)	97¾ (247.4)		
32	87¾ (222.9)	100½ (255.3)	86¾ (218.8)	100¾ (255.6)
33	90½ (229.9)	103¾ (263.3)		
34	93¼ (238.2)	106¾ (271.2)	91¾ (233.1)	106¾ (271.5)
35	96¾ (244.2)	109¾ (279.1)		
36	98¾ (250.9)	112¾ (286.8)	97¼ (247.1)	113 (287.1)
37	101¾ (258.2)	116 (294.7)		
38	104¾ (265.2)	119¾ (302.6)	102¾ (261.4)	119¼ (302.9)
39	107¾ (272.1)	122¼ (310.6)		
40	109¾ (279.1)	125¾ (318.5)	108¾ (275.3)	125½ (318.8)
41	112¾ (286.4)	128½ (326.4)		
42	112¾ (293.4)	131 ⅝ (334.4)	113¾ (289.3)	131¼ (334.7)
43	118¼ (300.4)	134¼ (342.3)		
44	121¼ (307.7)	137¾ (350.3)	119½ (303.6)	138 (350.6)
45	123¾ (314.4)	140¾ (357.9)		
46	126¾ (321.7)	144 (365.8)	125 (317.5)	144¼ (366.1)
47	129¾ (328.7)	147¾ (373.7)		
48	132½ (335.6)	150¼ (381.7)	130¾ (331.8)	150¾ (382.0)
49	134¾ (342.6)	153¾ (389.6)		
50	137¾ (349.6)	156½ (397.6)	136¾ (345.8)	156¾ (397.9)
51	140½ (356.9)	159¾ (405.5)		
52	143¼ (363.9)	162¼ (413.4)	141¾ (360.1)	162¾ (413.8)
53	146 (370.9)	165¾ (421.1)		
54	148¾ (377.9)	168¾ (429.0)	147¼ (374.1)	169 (429.3)
55	151¾ (385.2)	172 (436.9)		
56	154¾ (392.2)	175¾ (444.9)	152¾ (388.0)	175¼ (445.2)
57	157¾ (399.1)	178¼ (452.8)		
58	159¾ (406.1)	181¾ (460.7)	158¼ (402.0)	181½ (461.1)
59	162¾ (413.1)	184½ (468.7)		
60	165¾ (420.4)	187¾ (476.6)	163¾ (416.3)	187¾ (476.9)
61	168¾ (427.1)	190¾ (484.2)		
62	168¾ (427.1)	191 (485.2)	166½ (423.0)	191 (485.2)

**Vertical Blinds: Vane Stacking Chart:
G-85 Dura-Vue® 3½" (8.9 cm)**

Number of Vanes	Single Stack		Split Stack	
	CO inches (cm)	FBW inches (cm)	CO inches (cm)	FBW inches (cm)
3	6¾ (17.5)	10¾ (25.8)		
4	9½ (24.2)	13¼ (33.7)	7¼ (18.5)	12½ (31.8)
5	12¼ (30.8)	16¾ (41.6)		
6	14¾ (37.5)	19½ (49.6)	12½ (31.8)	18¾ (47.7)
7	17¾ (44.2)	22¾ (57.5)		
8	20 (50.8)	25¾ (65.5)	17¾ (45.1)	25 (63.5)
9	22¾ (57.8)	28¾ (73.4)		
10	25¾ (64.5)	32 (81.3)	23 (58.5)	31¼ (79.4)
11	28 (71.2)	35 ⅝ (89.3)		
12	30¾ (77.8)	38 ¼ (97.2)	28¾ (72.1)	37½ (95.3)
13	33¼ (84.5)	41¾ (105.1)		
14	35¾ (91.2)	44½ (113.1)	33¾ (85.5)	43¼ (111.2)
15	38½ (97.8)	47¾ (121.0)		
16	41¾ (104.5)	50 ¾ (129.0)	38¾ (98.8)	50 (127.0)
17	43¾ (111.2)	53¾ (136.9)		
18	46¾ (117.8)	57 (144.8)	44¾ (112.1)	56¼ (142.9)
19	49 (124.5)	60¾ (152.8)		
20	51¾ (131.2)	63¼ (160.7)	49¾ (125.5)	62½ (158.8)
21	54¾ (138.2)	66¾ (168.6)		
22	57 (144.8)	69¾ (176.6)	54¾ (138.8)	68¾ (174.7)
23	59¾ (151.5)	72¾ (184.5)		
24	62¼ (158.2)	75¾ (192.5)	60 (152.4)	75 (190.5)
25	64¾ (164.8)	78¾ (200.4)		
26	67½ (171.5)	82 (208.3)	65¼ (165.8)	81¼ (206.4)
27	70¾ (178.2)	85¾ (216.3)		
28	72¾ (184.8)	88¾ (224.2)	70½ (179.1)	87½ (222.3)
29	75¾ (191.5)	91¾ (232.1)		
30	78 (198.2)	94¼ (240.1)	75¾ (192.5)	93¼ (238.2)
31	80¾ (204.8)	97¾ (248.0)		
32	83¼ (211.5)	100¾ (256.0)	81 (205.8)	100 (254.0)
33	85¾ (218.2)	103¾ (263.9)		
34	88½ (224.8)	107 (271.8)	86¼ (219.1)	106 ¼ (269.9)
35	91¾ (231.5)	110¾ (279.8)		
36	93¾ (238.5)	113¼ (287.7)	91½ (232.5)	112½ (285.8)
37	96½ (245.2)	116¾ (295.6)		
38	99¾ (251.8)	119¾ (303.6)	96¾ (245.8)	118¾ (301.7)
39	101¾ (258.5)	122¾ (311.5)		
40	104¾ (265.2)	125¾ (319.5)	102 (259.1)	125 (317.5)
41	107 (271.8)	128¾ (327.4)		
42	109¾ (278.5)	132 (335.3)	107¾ (272.8)	131¼ (333.4)
43	112¼ (285.2)	135¾ (343.3)		
44	114¾ (291.8)	138¼ (351.2)	112¾ (286.1)	137½ (349.3)
45	117½ (298.5)	141¾ (359.1)		
46	120¾ (305.2)	144½ (367.1)	117¾ (299.5)	143¾ (365.2)
47	122¾ (311.8)	147¾ (375.0)		
48	125½ (318.8)	150¾ (383.0)	123¾ (312.8)	150 (381.0)
49	128¾ (325.5)	153¾ (390.9)		
50	130¾ (332.2)	157 (398.8)	128¾ (326.1)	156¼ (396.9)
51	133¾ (338.8)	160¾ (406.8)		
52	136 (345.5)	163¼ (414.7)	133¾ (339.5)	162½ (412.8)
53	138¾ (352.2)	166¾ (422.6)		
54	141¼ (358.8)	169½ (430.6)	139 (353.1)	168¾ (428.7)
55	143¾ (365.5)	172¾ (438.5)		
56	146½ (372.2)	175¾ (446.5)	144¼ (366.4)	175 (444.5)
57	149¾ (378.8)	178¾ (454.4)		
58	151¾ (385.5)	182 (462.3)	149½ (379.8)	181¼ (460.4)
59	154¾ (392.2)	185¾ (470.3)		
60	157 (398.8)	188¼ (478.2)	154¾ (393.1)	187½ (476.3)
61	159¾ (404.9)	191 (485.2)		
62			157¼ (399.5)	191 (485.2)

FBW = Finished Blind Width
CO = Clear Opening
Stack = FBW - CO

General Information

Vertical Blinds: Vane Stacking Chart: One Touch® Control (all headrail styles)

G-71 Super-Vue®		
Number of Vanes	Single Stack	
	CO inches (cm)	FBW inches (cm)
3	6½ (15.6)	9¼ (24.8)
4	8¼ (22.3)	12½ (32.8)
5	11½ (29.3)	16 (40.7)
6	14¼ (35.9)	19¼ (48.9)
7	16¼ (42.6)	22¼ (56.9)
8	19½ (49.6)	25½ (64.8)
9	22¼ (56.2)	25¼ (65.1)
10	24¼ (62.9)	31¼ (80.7)
11	27¼ (69.6)	35 (88.9)
12	30 (76.2)	38¼ (96.9)
13	32¼ (83.2)	41¼ (104.8)
14	35¼ (89.9)	44¼ (112.8)
15	38 (96.6)	47½ (120.7)
16	40¼ (103.2)	50¼ (128.6)
17	43¼ (110.2)	53¼ (136.9)
18	46 (116.9)	57 (144.8)
19	48¼ (123.6)	60¼ (152.8)
20	51¼ (130.5)	63¼ (160.7)
21	54 (137.2)	66 ¾ (168.6)
22	56¼ (143.9)	69¼ (176.9)
23	59¼ (151.5)	73¼ (185.8)
24	62¼ (158.2)	76¼ (193.7)
25	65 (165.1)	79¼ (201.7)
26	67¼ (171.8)	82½ (209.6)
27	70¼ (178.5)	85¼ (217.9)
28	73 (185.5)	88¼ (225.8)
29	75¼ (192.1)	92 (233.7)
30	78¼ (198.8)	95¼ (241.7)
31	80¼ (205.5)	98¼ (249.6)
32	83½ (212.1)	101¼ (257.5)
33	86¼ (219.1)	104¼ (265.8)
34	88¼ (225.8)	107¼ (273.7)
35	91¼ (232.5)	110¼ (281.7)
36	94¼ (239.1)	114 (289.6)
37	96¼ (245.8)	117¼ (297.5)
38	99¼ (252.8)	120¼ (305.8)
39	102¼ (259.4)	123½ (313.7)
40	104¼ (266.1)	126¼ (321.7)
41	107½ (273.1)	129¼ (329.6)
42	110¼ (279.8)	132¼ (337.6)
43	112¼ (286.4)	136 (345.5)
44	115¼ (293.1)	139¼ (353.7)
45	118 (299.8)	142¼ (361.7)
46	120¼ (306.8)	145¼ (369.6)
47	123¼ (313.4)	148¼ (377.6)
48	126 (320.1)	151¼ (385.5)
49	128¼ (327.1)	155 (393.7)
50	129¼ (328.3)	156 (396.3)

G-98 Ultra-Vue™		
Number of Vanes	Single Stack	
	CO inches (cm)	FBW inches (cm)
3	6½ (15.6)	10 (25.4)
4	9 (22.9)	13¼ (33.4)
5	11¼ (29.9)	16¼ (41.3)
6	14¼ (36.9)	19¼ (49.3)
7	17¼ (43.9)	22¼ (57.2)
8	20¼ (51.2)	25¼ (65.1)
9	22¼ (57.8)	28¼ (72.8)
10	25¼ (65.1)	31¼ (80.7)
11	28¼ (72.1)	34¼ (88.6)
12	31¼ (79.1)	38 (96.6)
13	33¼ (86.1)	41¼ (104.5)
14	36¼ (93.1)	44¼ (112.4)
15	39¼ (100.4)	47¼ (120.4)
16	42¼ (107.4)	50¼ (128.3)
17	45 (114.3)	53¼ (135.9)
18	47¼ (121.3)	56¼ (143.9)
19	50¼ (128.6)	59¼ (151.8)
20	53¼ (135.6)	62¼ (159.8)
21	56¼ (142.6)	66 (167.7)
22	58¼ (149.6)	69¼ (175.6)
23	62 (157.5)	72¼ (183.2)
24	64¼ (164.5)	75¼ (191.2)
25	67¼ (171.5)	78¼ (199.1)
26	70¼ (178.8)	81¼ (207.1)
27	73 (185.5)	84¼ (215.0)
28	75¼ (192.8)	87¼ (222.9)
29	78¼ (199.8)	90¼ (230.9)
30	81¼ (206.7)	94 (238.8)
31	84¼ (214.0)	97¼ (246.7)
32	87 (221.0)	100¼ (254.4)
33	89¼ (228.0)	103¼ (262.3)
34	92¼ (235.0)	106¼ (270.2)
35	95¼ (242.3)	109¼ (278.2)
36	98 (249.0)	112¼ (286.1)
37	100¼ (256.3)	115¼ (294.1)
38	103¼ (263.3)	118¼ (302.0)
39	106¼ (270.2)	122 (309.9)
40	109¼ (277.2)	125 (317.5)
41	111¼ (284.2)	128¼ (325.5)
42	114¼ (291.5)	131¼ (333.4)
43	117¼ (298.5)	134¼ (341.4)
44	120¼ (305.5)	137¼ (349.3)
45	123¼ (313.4)	140¼ (357.9)
46	125¼ (319.5)	144 (365.8)
47	128¼ (327.4)	147¼ (373.7)
48	131¼ (334.7)	150¼ (381.7)
49	134¼ (341.4)	153¼ (389.6)
50	136¼ (347.4)	156 (396.3)

G-85 Dura-Vue®		
Number of Vanes	Single Stack	
	CO inches (cm)	FBW inches (cm)
3	6¼ (15.9)	10¼ (25.8)
4	8¼ (22.6)	13¼ (33.7)
5	11½ (29.3)	16¼ (41.6)
6	14¼ (35.9)	19¼ (49.6)
7	16¼ (42.6)	22¼ (57.5)
8	19¼ (49.3)	25¼ (65.5)
9	22 (55.9)	28¼ (73.4)
10	24¼ (62.9)	32 (81.3)
11	27¼ (69.6)	35¼ (89.3)
12	30 (76.2)	38¼ (97.2)
13	32¼ (82.9)	41¼ (105.1)
14	35¼ (89.6)	44¼ (113.1)
15	37¼ (96.3)	47¼ (121.0)
16	40¼ (102.9)	50¼ (129.0)
17	43¼ (109.6)	53¼ (136.9)
18	45¼ (116.3)	57 (144.8)
19	48¼ (122.9)	60¼ (152.8)
20	51 (129.6)	63¼ (160.7)
21	53¼ (136.3)	66¼ (168.6)
22	56¼ (142.9)	69¼ (176.6)
23	59¼ (150.5)	72¼ (184.5)
24	61¼ (157.2)	75¼ (192.5)
25	64¼ (163.9)	78¼ (200.4)
26	67¼ (170.5)	82 (208.3)
27	69¼ (177.2)	85¼ (216.3)
28	72¼ (183.9)	88¼ (224.2)
29	75 (190.5)	91¼ (232.1)
30	77¼ (197.2)	94¼ (240.1)
31	80¼ (203.9)	97¼ (248.0)
32	82¼ (210.6)	100¼ (256.0)
33	85¼ (217.2)	103¼ (263.9)
34	88¼ (223.9)	107 (271.8)
35	90¼ (230.6)	110¼ (279.8)
36	93¼ (237.2)	113¼ (287.7)
37	96¼ (244.2)	116¼ (295.6)
38	98¼ (250.9)	119¼ (303.6)
39	101¼ (257.5)	122¼ (311.5)
40	104 (264.2)	125¼ (319.5)
41	106¼ (270.9)	128¼ (327.4)
42	109¼ (277.5)	132 (335.3)
43	111¼ (284.2)	135¼ (343.3)
44	114¼ (290.9)	138¼ (351.2)
45	117¼ (297.5)	141¼ (359.1)
46	119¼ (304.2)	144¼ (367.1)
47	122¼ (310.9)	147¼ (375.0)
48	125 (317.5)	150¼ (383.0)
49	127¼ (324.2)	153¼ (390.9)
50	129¼ (328.7)	156 (396.3)

Split stack One Touch Control not available.

FBW = Finished Blind Width
CO = Clear Opening
Stack = FBW - CO

General Information

**Sheer Vertical Blinds: Vane Stacking Chart:
Outside Mount**

Number of Vanes	Single Stack		Split Stack	
	CO inches (cm)	FBW inches (cm)	CO inches (cm)	FBW inches (cm)
6	14% (37.8)	19% (49.9)	11% (28.3)	17(43.2)
7	17½ (44.5)	22% (57.8)		
8	20% (51.2)	25% (65.8)	16% (41.6)	23¼ (59.1)
9	22% (57.8)	29 (73.7)		
10	25% (64.5)	32% (81.6)	21% (55.3)	29% (75.3)
11	28% (71.5)	35% (89.9)		
12	30% (78.2)	38% (97.8)	27 (68.6)	35% (91.2)
13	33% (84.8)	41% (105.8)		
14	36% (91.8)	44% (113.7)	32% (82.3)	42% (107.0)
15	38% (98.5)	47% (121.7)		
16	41% (105.1)	51 (129.6)	37% (95.9)	48½ (123.2)
17	44 (111.8)	54% (137.8)		
18	46% (118.5)	57% (145.8)	43 (109.3)	54¼ (139.1)
19	49% (125.5)	60% (153.7)		
20	52 (132.1)	63% (161.7)	48¼ (122.6)	61 (155.0)
21	54% (138.8)	66% (169.6)		
22	57% (145.8)	70 (177.8)	53% (136.3)	67% (171.2)
23	60 (152.4)	73% (185.8)		
24	62% (159.1)	76% (193.7)	58% (149.6)	73% (187.1)
25	65% (165.8)	79% (201.7)		
26	67% (172.5)	82% (209.6)	64¼ (163.2)	80 (203.2)
27	70% (179.4)	85% (217.9)		
28	73% (186.1)	88% (225.8)	69½ (176.6)	86¼ (219.1)
29	75% (192.8)	92 (233.7)		
30	78% (199.8)	95% (241.7)	74% (190.2)	92½ (235.0)
31	81¼ (206.4)	98% (249.6)		
32	83% (213.1)	101% (257.5)	80¼ (203.9)	98% (251.2)
33	86% (219.8)	104% (265.8)		
34	89% (226.4)	107% (273.7)	85½ (217.2)	105% (267.1)
35	91% (233.1)	110% (281.7)		
36	94½ (240.1)	114 (289.6)	90% (230.6)	111% (282.9)
37	97% (246.7)	117% (297.5)		
38	99% (253.4)	120% (305.8)	96% (244.2)	117% (299.1)
39	102% (260.1)	123% (313.7)		
40	105% (267.1)	126% (321.7)	101% (257.5)	124 (315.0)
41	107% (273.7)	129% (329.6)		
42	110% (280.4)	132% (337.6)	106% (270.9)	130¼ (330.9)
43	113 (287.1)	136 (345.5)		
44	115% (294.1)	139% (353.7)	112 (284.5)	136% (347.1)
45	118% (300.7)	142% (361.7)		
46	121 (307.4)	145% (369.6)	117% (298.2)	142% (363.0)
47	123% (314.1)	148% (377.6)		
48	126% (321.0)	151% (385.5)	122% (311.8)	149¼ (379.1)
49	129 (327.7)	155 (393.7)		
50	131% (334.4)	158% (401.7)	128 (325.2)	155½ (395.0)
51	134% (341.0)	161¼ (409.6)		
52	137 (348.0)	164% (417.6)	133¼ (338.5)	161 ¼ (410.9)
53	139% (354.7)	167% (425.5)		
54	142% (361.4)	170% (433.4)	138% (352.2)	168% (427.1)
55	144% (368.0)	173% (441.7)		
56	147% (375.0)	177 (449.6)	143% (365.5)	174% (443.0)
57	150% (381.7)	180% (457.6)		
58	152% (388.4)	183% (465.5)	149% (378.8)	180% (458.8)
59	155% (395.0)	186% (473.4)		
60	158% (402.0)	189% (481.7)	154½ (392.5)	187 (475.0)
61	159% (404.2)	191 (485.2)		
62			157% (400.4)	191 (485.2)

**Sheer Vertical Blinds: Vane Stacking Chart:
Inside Mount**

Number of Vanes	Single Stack		Split Stack	
	CO inches (cm)	FBW inches (cm)	CO inches (cm)	FBW inches (cm)
7	10% (27.0)	19¼ (48.9)		
8	13¼ (33.7)	22% (56.9)	11% (28.3)	19% (50.2)
9	15% (40.4)	25% (64.8)		
10	18½ (47.0)	28% (72.8)	16% (41.6)	26 (66.1)
11	21¼ (54.0)	31% (81.0)		
12	24 (61.0)	35 (88.9)	21% (55.3)	32% (82.3)
13	26% (67.7)	38% (96.9)		
14	29% (74.3)	41% (104.8)	27 (68.6)	38% (98.2)
15	31% (81.0)	44% (112.8)		
16	34% (88.8)	47% (121.0)	32¼ (82.0)	44% (114.0)
17	37¼ (94.7)	50% (129.0)		
18	39% (101.3)	53% (136.9)	37% (95.9)	51¼ (130.2)
19	42½ (108.0)	57 (144.8)		
20	45% (114.7)	60% (152.8)	43 (109.3)	57½ (146.1)
21	47¼ (121.3)	63% (160.7)		
22	50% (128.3)	66% (169.0)	48¼ (122.6)	63% (162.0)
23	53% (135.0)	69% (176.9)		
24	55% (142.0)	72% (185.2)	53% (136.3)	70% (178.2)
25	58% (148.6)	76 (193.1)		
26	61% (155.3)	79% (201.0)	59 (149.9)	76% (194.4)
27	63% (162.3)	82% (209.0)		
28	66% (169.3)	85% (217.2)	64¼ (163.2)	82% (210.2)
29	69% (175.9)	88% (225.2)		
30	71% (182.6)	91% (233.1)	69% (176.9)	89% (226.4)
31	74½ (189.3)	94% (241.0)		
32	77% (195.9)	98 (249.0)	74% (190.2)	95% (242.3)
33	80¼ (203.9)	101% (258.2)		
34	82% (210.6)	104% (266.1)	80% (205.2)	102% (259.4)
35	85% (217.2)	107% (274.1)		
36	88¼ (224.2)	111% (282.3)	86 (218.5)	108% (275.3)
37	90% (230.9)	114% (290.2)		
38	93½ (237.5)	117% (298.2)	91% (232.1)	114% (291.5)
39	96% (244.2)	120% (306.1)		
40	98% (250.9)	123% (314.1)	96% (245.5)	121 (307.4)
41	101½ (257.9)	126% (322.3)		
42	104% (264.5)	130 (330.2)	101% (257.9)	127¼ (323.3)
43	106% (271.5)	133% (338.2)		
44	109% (278.2)	136% (346.1)	106% (271.5)	133% (339.5)
45	112% (284.8)	139% (354.1)		
46	114% (291.5)	142% (362.0)	112% (284.8)	139% (355.3)
47	117% (298.5)	145% (370.3)		
48	120% (305.2)	148% (378.2)	117% (298.5)	146% (371.5)
49	122% (311.8)	152 (386.1)		
50	125% (318.5)	155% (394.1)	122% (311.8)	152% (387.4)
51	128% (325.5)	158% (402.3)		
52	130% (332.2)	161% (410.3)	128 (325.2)	158% (403.3)
53	133% (339.1)	164% (418.5)		
54	136% (345.8)	167% (426.5)	133% (338.8)	165% (419.4)
55	138% (352.5)	171 (434.4)		
56	141% (359.1)	174% (442.3)	138% (352.2)	171% (435.3)
57	144 (365.8)	177% (450.3)		
58	146% (373.1)	180% (458.5)	144 (365.8)	177% (451.2)
59	149% (379.8)	183% (466.5)		
60	152% (386.4)	186% (474.3)	149% (379.5)	184 (467.4)
61	154% (393.1)	189% (482.3)		
62	155% (394.7)	191 (485.2)	154% (392.8)	190¼ (483.3)
64			154% (392.2)	191 (485.2)

FBW = Finished Blind Width
CO = Clear Opening
Stack = FBW – CO

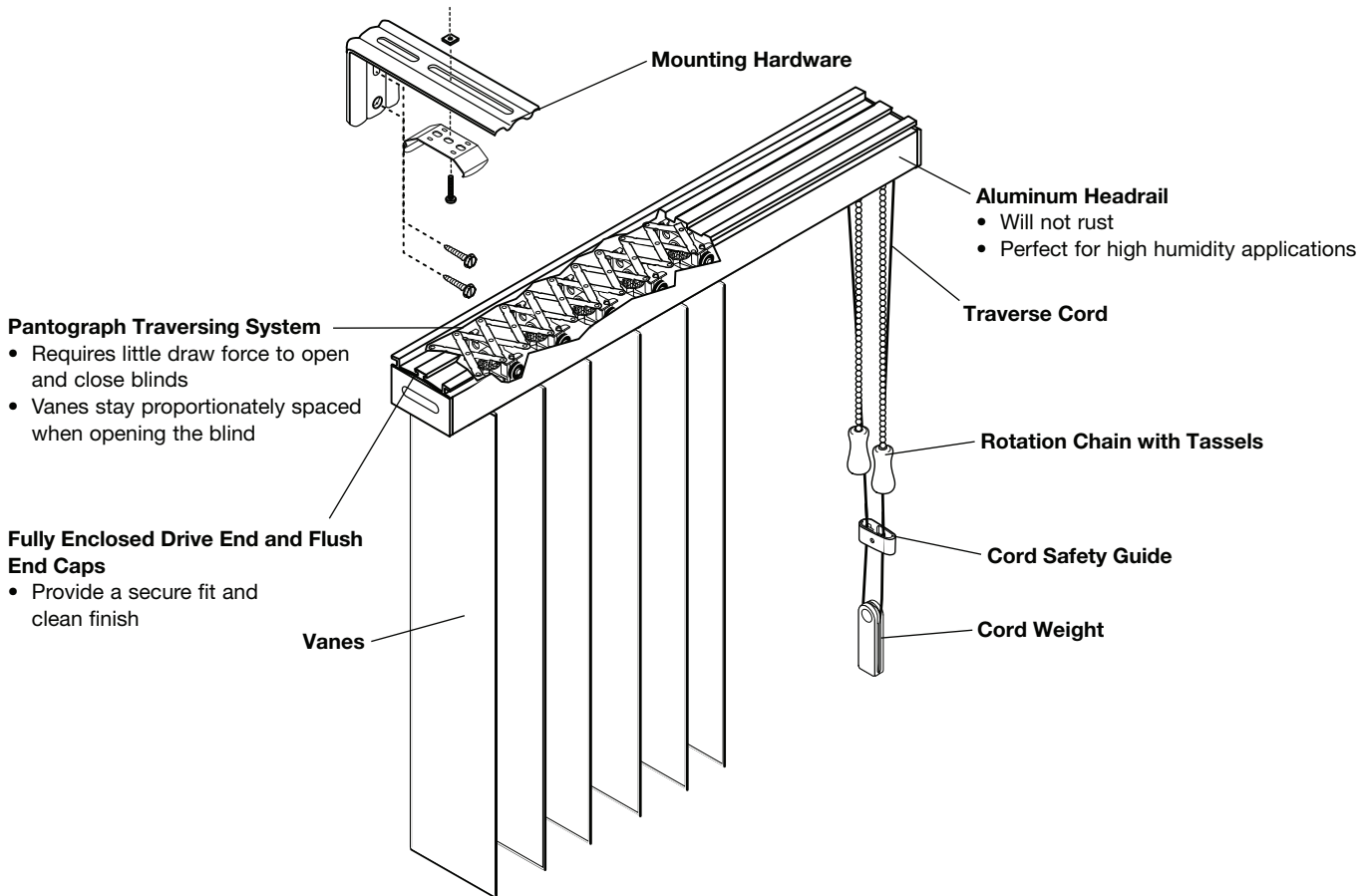
General Information

Sheer Vertical Blinds: Vane Color Coordination Chart

Fabric Name	Color Name	Color Number	Recommended Vane, Bead Chain, and Cord Weight Color
Bengali	Jute	2760	Ivory
Cascade	Champagne	2080	Ivory
Dijon	Downey	2221	White
	Extra White	2220	White
	Stucco	2222	Ivory
Gossamer	Champagne	1720	Ivory
	Parchment	1722	Ivory
	Snowstone	1724	White
	White	1725	White
Highlight	Champagne	1740	Ivory
	Snowstone	1741	White
	White	1742	White

General Information

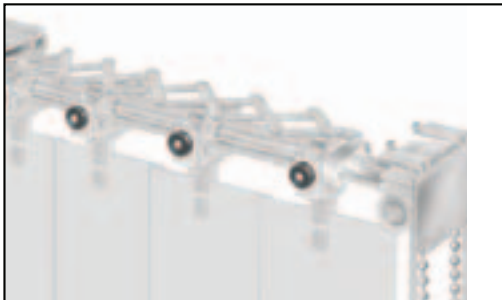
G-71 Super-Vue® Product Detail



Exterior View



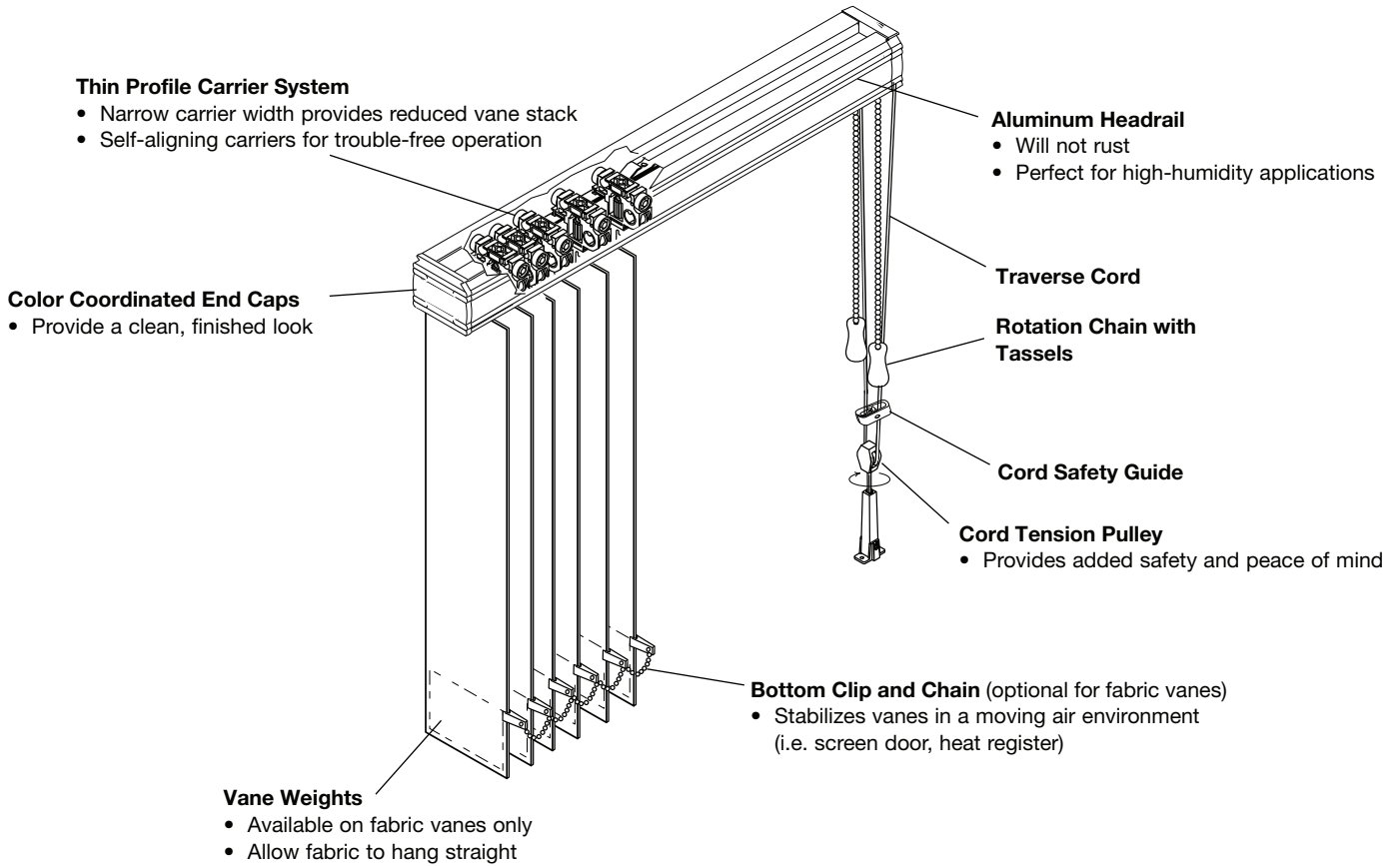
Interior View



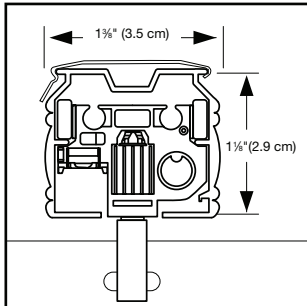
Features	Benefits
Heavy-Duty Anodized Aluminum Headrail	Will not rust; ideal for high-humidity applications
Rack and Pinion Gear System	Allows vanes to rotate smoothly and easily
Centrally Located Carrier Stems	Reversible headrail
Pantograph System	Requires very little draw force to open and close blinds; vanes stay proportionately spaced when opening the blind
Optional One Touch® Control	Safety and convenience
Removable Stems	Ability to repair instead of remaking—less invasive for the customer
E-Z Open™	Automatically rotates the vanes when the cord is pulled to traverse the blind; not available with cord tension pulley, One Touch, and center, opposite, or uneven stack
Clear Nylon Vane Stems	Nearly invisible, yet extremely strong

General Information

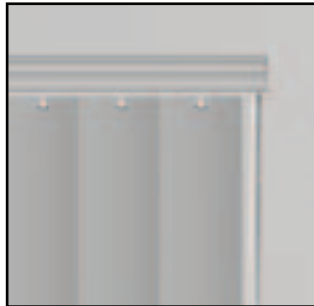
G-98 Ultra-Vue™ Product Detail



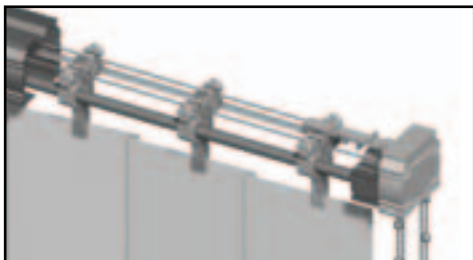
Inside Headrail View



Exterior View



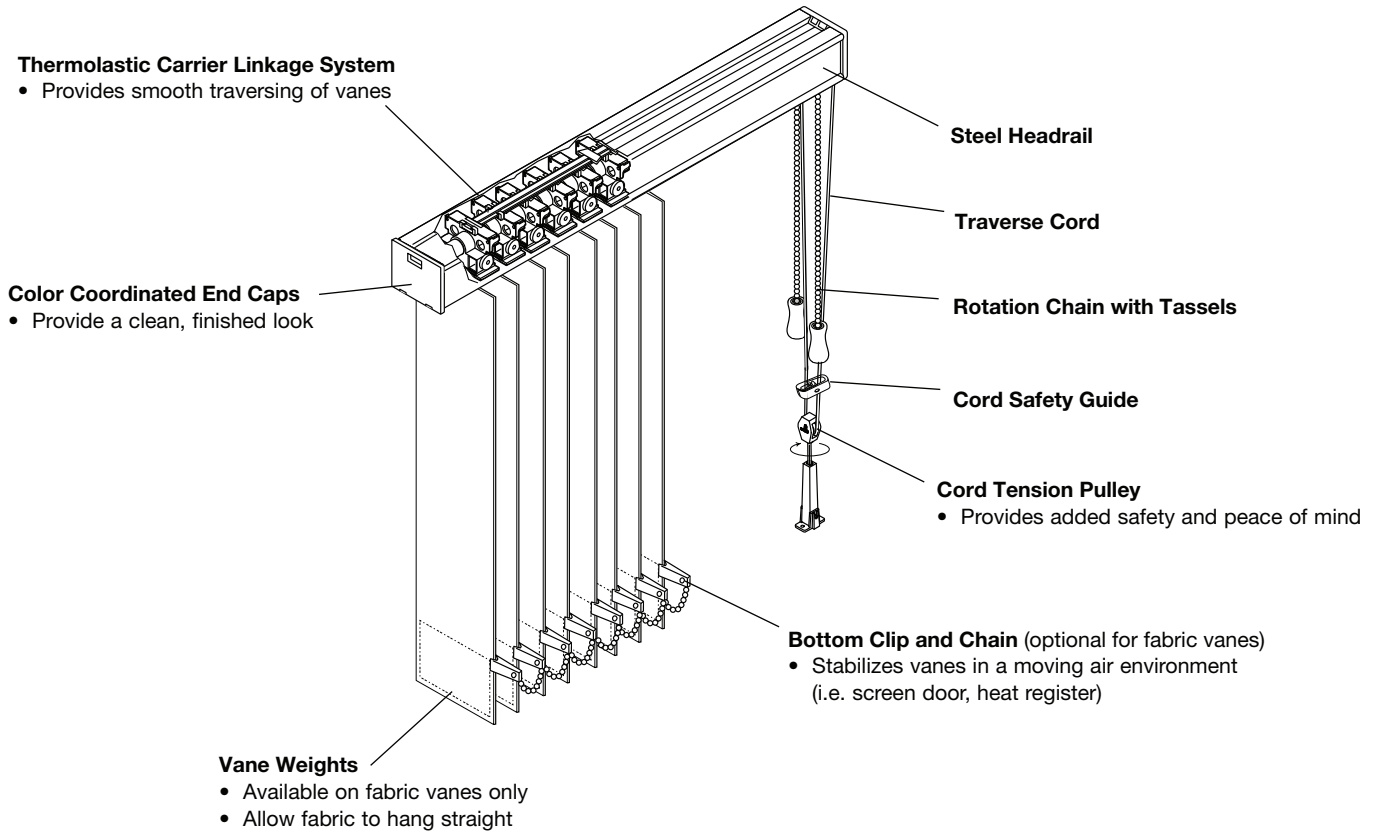
Interior View



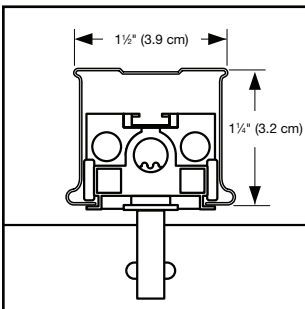
Features	Benefits
Heavy-Duty Anodized Aluminum Headrail	Will not rust; ideal for high-humidity applications
Thin Profile Carriers	Reduced stack
Self-Aligning Carriers	Trouble-free operation
Fully Enclosed Drive and Flush End Caps	Provides a secure fit and clean finished appearance
Low-Friction Wheeled Carriers	Vanes traverse smoothly
Optional One Touch® Control	Safety and convenience
Centrally Located Carrier Stems and Symmetrical Cord and Chain Control	Headrail reversible for right or left control installation
Clear Nylon Vane Stems	Nearly invisible, yet extremely strong
Removable Stems	Ability to repair instead of remaking; less invasive for customer

General Information

G-85 Dura-Vue® Product Detail



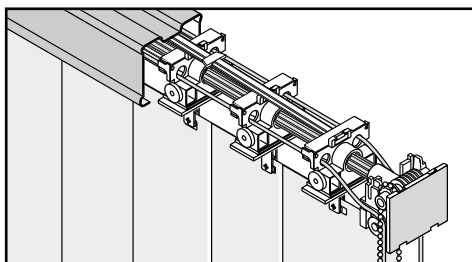
Inside Headrail View



Exterior View



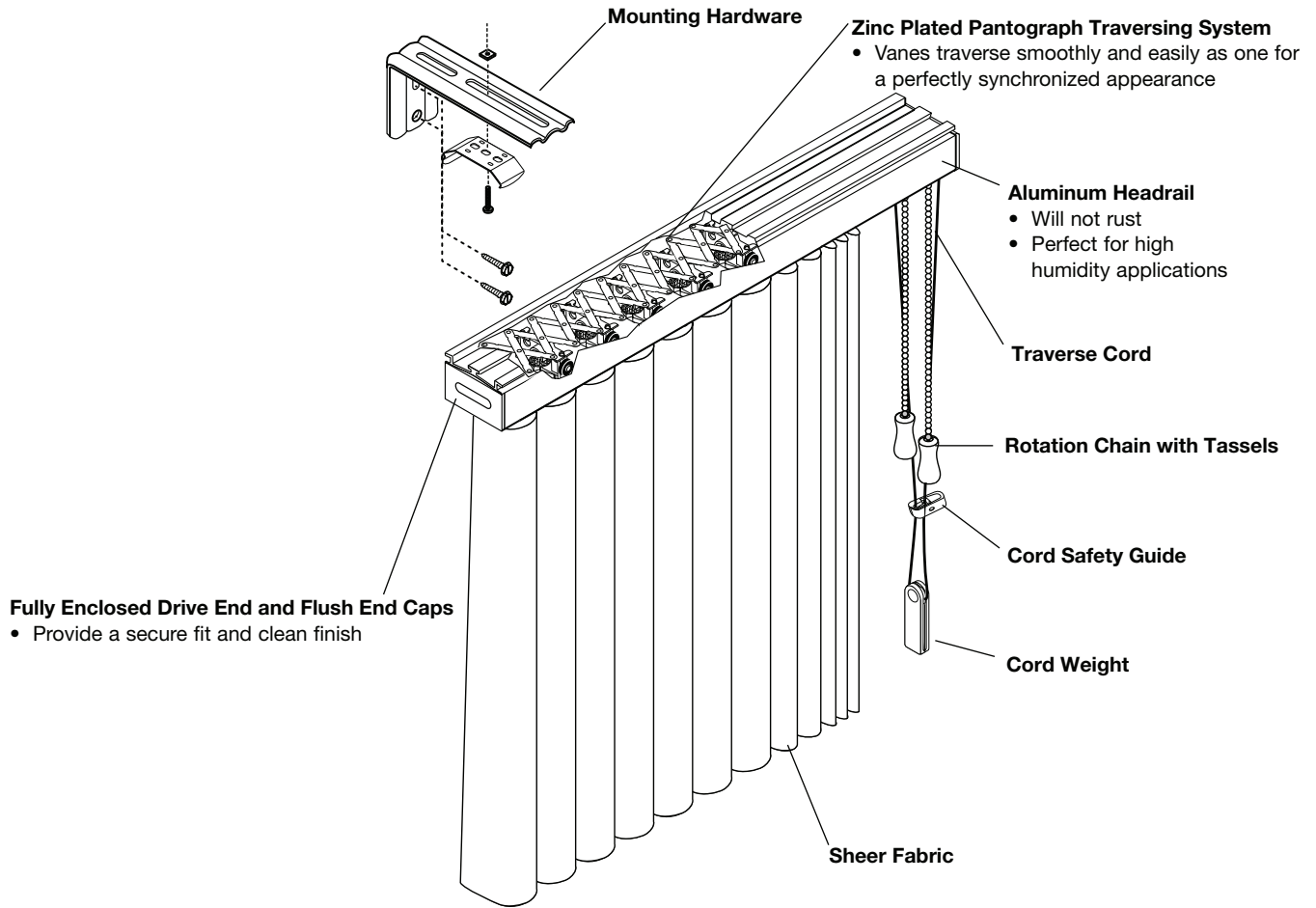
Interior View



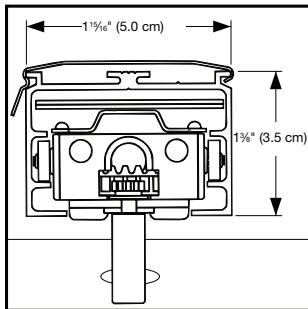
Features	Benefits
Steel Headrail with Ivory Finish	Provides strength and durability
Wheeled Carriers	Vaness traverse smoothly and easily
Centrally Located Carrier Stems	Headrail is reversible for right or left control position
Clear Nylon Vane Stems	Nearly invisible, yet extremely strong
Optional Stack and Control Positions	Single stack, split stack, opposite stack are available
Optional One Touch® Control	Safety and convenience
Removable Stems	Ability to repair instead of remaking; less invasive for customer

General Information

Sheer Vertical Blinds: G-71 Super-Vue® Product Detail



Inside Headrail View



Exterior View



Features	Benefits
Easy Install Fabric	Install fabric after headrail installation; to clean, no need to take down entire blind
Skirt Only Option	Change fabric style or color when changing room décor
Washable Fabric	Remove fabric from blind to machine wash
Fabric Cut Yardage	Create a personal look with scarves or valance from same blind material
Color Coordinated Thread	For finished appearance

NOTE: EZ Open™ feature is not available on sheer vertical blinds.

Price Charts

Vinyl Crown: Crown*
 Vinyl Embossed: Grotto

Price Group A: G-71 Super-Vue® and G-98 Ultra-Vue™

Height up to inches (cm) ↓	Width up to inches (cm) →																Replmt Vanes	
	25 (63.5)	38 (96.6)	50 (127.0)	63 (160.1)	75 (190.5)	85 (215.9)	88 (223.6)	100 (254.0)	113 (287.1)	120 (304.8)	132 (335.3)	144 (365.8)	154 (391.2)	164 (416.6)	174 (442.0)	184 (467.4)		191 (485.2)
48 (122.0)	\$138	169	205	234	269	293	303	343	372	389	428	458	490	521	553	584	616	4
60 (152.4)	146	176	217	247	282	310	319	362	393	412	453	485	517	549	582	615	647	5
72 (182.9)	151	188	231	261	298	323	336	383	417	432	480	513	548	584	620	655	692	6
84 (213.4)	161	199	244	274	313	340	352	401	437	456	505	538	576	614	651	690	727	6
96 (243.9)	167	206	255	290	329	361	370	420	456	480	530	565	605	643	682	721	759	8
108 (274.4)	172	215	267	303	346	376	388	440	479	502	553	592	631	672	712	751	792	8
120 (304.8)	182	227	279	319	365	398	410	466	502	522	580	618	662	706	750	795	838	9
132 (335.3)	189	241	296	336	384	418	431	489	526	552	612	652	700	747	795	842	889	10
144 (365.8)	193	255	310	352	404	439	455	513	553	580	647	686	735	785	834	884	933	11
156 (396.3)	198	268	324	369	422	460	478	537	580	609	680	721	774	826	879	931	984	13
168 (426.8)	201	282	340	387	443	481	502	561	607	636	713	754	810	865	922	977	1033	15
180 (457.2)	205	296	355	401	461	504	520	587	633	665	746	789	848	907	965	1025	1084	16
192 (487.7)	210	309	370	418	481	522	543	609	661	694	778	826	889	952	1015	1078	1141	17

Add Surcharge to Blind Price

Square-Corner Valance	\$20	31	34	40	43	46	48	54	58	61	67	71	75	80	84	88	92
Round-Corner Valance	22	34	39	46	49	53	54	61	66	70	79	84	89	94	99	104	
Double Round-Corner Valance	44	68	78	92	98	106	108	122	132	140	158	168	178	188	198	208	

Price Group A: G-85 Dura-Vue®

Height up to inches (cm) ↓	Width up to inches (cm) →																Replmt Vanes
	25 (63.5)	38 (96.6)	50 (127.0)	63 (160.1)	75 (190.5)	85 (215.9)	88 (223.6)	100 (254.0)	113 (287.1)	120 (304.8)	132 (335.3)	144 (365.8)	154 (391.2)	164 (416.6)	174 (442.0)	178% (454.1)	
48 (122.0)	\$122	148	172	194	217	234	238	272	293	304	336	355	379	404	427	452	4
60 (152.4)	130	161	185	205	231	250	255	291	317	324	361	383	410	437	465	492	5
72 (182.9)	141	169	200	218	246	267	272	310	337	348	387	411	439	468	496	524	6
84 (213.4)	146	176	211	233	263	282	287	329	358	371	411	437	467	496	525	555	6
96 (243.9)	152	188	221	247	277	302	307	348	377	393	432	462	494	525	557	589	8
108 (274.4)	161	199	234	261	293	318	322	370	398	416	460	487	520	554	588	621	8
120 (304.8)	170	209	250	277	313	340	343	393	421	438	486	515	550	587	622	658	9
132 (335.3)	174	221	266	295	333	362	366	417	450	468	519	552	591	629	668	707	10
144 (365.8)	177	235	279	310	352	383	389	440	479	497	555	589	629	671	712	752	11

Add Surcharge to Blind Price

Square-Corner Valance	\$20	31	34	40	43	46	48	54	58	61	67	71	75	80	84	88
Round-Corner Valance	22	34	39	46	49	53	54	61	66	70	79	84	89	94	99	104
Double Round-Corner Valance	44	68	78	92	98	106	108	122	132	140	158	168	178	188	198	208

One Touch® Control outlined in the chart above. Maximum overall blind size is 10,080 square inches (6.5 m²) (w x h). Available at no charge.

Colors

Vinyl

Crown*

Alabaster9303
 Candelabra.....9300
 Carob9317
 Ivory9307

Misty Gray9312
 Tan9308
 White9306

Grotto

Alabaster6587
 Ivory6586
 Stormcloud.....6584
 White6585

*Available in coordinating 2" (5.1 cm) horizontal vinyl blinds.

Price Charts

Vinyl: Cachet*, Channel Panel, Fiber*, Quantum*, Stowe, Window Weaves

Price Group B: G-71 Super-Vue® and G-98 Ultra-Vue™

Height up to inches (cm) ↓	Width up to inches (cm) →																Replmt Vanes	
	25 (63.5)	38 (96.6)	50 (127.0)	63 (160.1)	75 (190.5)	85 (215.9)	88 (223.6)	100 (254.0)	113 (287.1)	120 (304.8)	132 (335.3)	144 (365.8)	154 (391.2)	164 (416.6)	174 (442.0)	184 (467.4)		191 (485.2)
48 (122.0)	\$164	203	246	282	323	354	365	415	450	473	517	552	591	627	664	703	740	5
60 (152.4)	175	215	264	298	340	373	384	437	478	497	546	587	624	662	702	740	778	5
72 (182.9)	182	225	278	315	358	393	406	459	502	522	580	618	658	700	740	781	821	6
84 (213.4)	194	237	292	330	378	412	423	485	524	549	606	651	696	738	783	826	869	8
96 (243.9)	201	248	308	346	396	431	445	507	549	578	636	683	728	774	820	865	912	8
108 (274.4)	208	261	320	365	417	452	467	531	577	603	665	712	758	806	852	900	946	11
120 (304.8)	220	276	338	384	439	481	492	560	603	631	698	745	797	847	899	949	1001	12
132 (335.3)	225	292	358	408	460	506	517	593	636	665	740	788	840	895	947	1001	1053	13
144 (365.8)	228	306	378	427	485	530	542	621	672	703	779	832	889	945	1002	1057	1114	15
156 (396.3)	234	320	398	450	507	552	568	651	707	740	820	874	933	992	1050	1109	1166	16
168 (426.8)	238	336	417	473	530	577	595	681	741	775	860	919	980	1041	1104	1164	1226	17
180 (457.2)	243	351	437	492	551	601	620	712	775	811	902	962	1026	1089	1153	1217	1279	18
192 (487.7)	246	366	455	513	575	625	645	741	810	846	940	1006	1071	1138	1206	1271	1338	19

Add Surcharge to Blind Price

Square-Corner Valance	\$22	36	39	49	54	55	57	64	71	74	83	89	94	99	104	109	114	
Round-Corner Valance	25	39	47	56	60	62	64	74	82	86	94	103	109	115	121	127		
Double Round-Corner Valance	50	78	94	112	120	124	128	148	164	172	188	206	218	230	242	254		

Price Group B: G-85 Dura-Vue®

Height up to inches (cm) ↓	Width up to inches (cm) →																Replmt Vanes
	25 (63.5)	38 (96.6)	50 (127.0)	63 (160.1)	75 (190.5)	85 (215.9)	88 (223.6)	100 (254.0)	113 (287.1)	120 (304.8)	132 (335.3)	144 (365.8)	154 (391.2)	164 (416.6)	174 (442.0)	178¾ (454.1)	
48 (122.0)	\$151	183	217	244	278	303	307	351	380	393	431	460	494	525	557	591	5
60 (152.4)	164	199	234	258	295	320	324	373	406	420	461	492	525	559	595	628	5
72 (182.9)	172	210	250	278	312	338	346	395	429	446	493	525	561	599	634	671	6
84 (213.4)	179	218	266	293	330	358	365	420	452	475	524	557	597	634	673	712	8
96 (243.9)	189	233	279	310	351	381	388	443	480	501	552	591	629	668	709	748	8
108 (274.4)	198	243	292	325	371	401	411	467	504	529	582	621	664	709	752	797	11
120 (304.8)	208	258	312	346	394	426	432	497	532	552	616	654	700	744	789	833	12
132 (335.3)	212	274	332	367	416	451	457	525	565	591	655	697	743	791	836	883	13
144 (365.8)	217	289	351	389	438	476	485	557	601	625	696	741	791	838	888	936	15

Add Surcharge to Blind Price

Square-Corner Valance	\$22	36	39	49	54	55	57	64	71	74	83	89	94	99	104	109	
Round-Corner Valance	25	39	47	56	60	62	64	74	82	86	94	103	109	115	121	127	
Double Round-Corner Valance	50	78	94	112	120	124	128	148	164	172	188	206	218	230	242	254	

One Touch® Control outlined in the chart above. Maximum overall blind size is 10,080 square inches (6.5 m²) (w x h). Available at no charge.

Colors

Vinyl			
Cachet*	Fiber*	Quantum*	Window Weaves
Ivory 6657	Bloodroot 3977	Chevre 6874	Deep Walnut 3892
Satin White 6651	Buttercream 3972	Cream 6879	Heath 3895
Shimmer Sage 6660	Cinnamon 3976	Model 6881	Melting Snow 3890
Silver Dollar 6655	Midnight 3974	Shipwreck 6875	Millet 3897
Tan 6654	Pebble 3092		Pilaf 3896
White 6650	Sandstone 3970	Stowe	Rice Paper 3893
	Shale 3090	Bone 9014	
Channel Panel	White 3973	Cocoa 9011	
Ivory 7137		Embankment 9022	
White 7136		Resort 9021	
		Willow 9015	
		Yew 9020	

*Available in coordinating 2" (5.1 cm) horizontal vinyl blinds.

Price Charts

Fabric: Baskerville, Brighton[®], Harmony[®], Sheffield[®]
 Vinyl: Homespun II^{*}, Lake Forest[®], Rapture^{*}, Satin Stripe
 Vinyl S-Shaped: Linen S^{*}, Quantum S

Price Group C: G-71 Super-Vue[®] and G-98 Ultra-Vue[™]																		
Height up to inches (cm) ↓	Width up to inches (cm) →																	Replmt Vanes
	25 (63.5)	38 (96.6)	50 (127.0)	63 (160.1)	75 (190.5)	85 (215.9)	88 (223.6)	100 (254.0)	113 (287.1)	120 (304.8)	132 (335.3)	144 (365.8)	154 (391.2)	164 (416.6)	174 (442.0)	184 (467.4)	191 (485.2)	
48 (122.0)	\$183	235	285	312	360	394	407	460	501	523	575	615	658	702	746	789	832	9
60 (152.4)	194	239	294	330	379	415	428	486	529	555	608	651	696	742	788	834	879	11
72 (182.9)	202	254	308	350	397	437	452	510	558	582	644	687	733	780	828	875	922	11
84 (213.4)	214	263	326	368	419	458	472	539	583	612	675	723	773	824	874	924	975	12
96 (243.9)	222	274	343	388	443	480	497	563	612	644	708	758	811	864	916	968	1022	12
108 (274.4)	234	290	358	407	462	505	521	594	640	672	741	792	845	900	953	1006	1061	14
120 (304.8)	245	307	378	428	491	533	548	623	672	701	776	830	887	946	1002	1060	1116	14
132 (335.3)	251	326	398	452	518	563	578	655	708	741	822	876	937	998	1059	1119	1179	15
144 (365.8)	258	344	419	473	545	591	608	687	746	781	866	924	987	1051	1113	1176	1238	16
156 (396.3)	263	361	443	498	571	619	640	719	783	822	910	971	1036	1102	1168	1232	1297	18
168 (426.8)	269	383	462	521	600	648	669	751	818	862	955	1017	1084	1152	1220	1287	1355	19
180 (457.2)	273	401	485	543	625	677	699	822	857	901	999	1065	1135	1206	1274	1344	1414	20
192 (487.7)	281	418	505	566	653	704	728	853	894	941	1042	1112	1184	1257	1329	1400	1473	21

Add Surcharge to Blind Price																		
Square-Corner Valance	\$25	38	42	49	53	58	59	65	73	77	85	91	97	103	109	115	122	
Round-Corner Valance	28	42	48	58	61	64	66	77	85	88	98	103	111	119	128	136	144	
Double Round-Corner Valance	56	84	96	116	122	128	132	154	170	176	196	206	222	238	256	272	288	

Price Group C: G-85 Dura-Vue[®]																		
Height up to inches (cm) ↓	Width up to inches (cm) →																	Replmt Vanes
	25 (63.5)	38 (96.6)	50 (127.0)	63 (160.1)	75 (190.5)	85 (215.9)	88 (223.6)	100 (254.0)	113 (287.1)	120 (304.8)	132 (335.3)	144 (365.8)	154 (391.2)	164 (416.6)	174 (442.0)	178 ^{3/4} (454.1)		
48 (122.0)	\$168	206	244	271	311	338	344	392	424	443	486	519	556	593	628	665	9	
60 (152.4)	183	220	263	293	330	358	366	416	455	470	519	555	594	632	671	711	11	
72 (182.9)	191	235	278	308	350	379	388	444	482	501	555	588	628	670	712	753	11	
84 (213.4)	199	245	296	330	370	403	410	469	508	529	585	623	667	712	755	799	12	
96 (243.9)	211	259	311	347	392	424	432	497	534	560	619	659	705	752	798	843	12	
108 (274.4)	230	270	329	366	413	450	458	523	564	591	653	696	745	793	840	888	14	
120 (304.8)	234	290	347	388	441	476	486	557	597	619	687	730	781	834	885	937	14	
132 (335.3)	239	308	368	412	467	505	516	585	634	659	730	778	832	886	940	993	15	
144 (365.8)	244	329	390	434	495	533	546	618	672	701	775	825	880	937	992	1049	16	

Add Surcharge to Blind Price																	
Square-Corner Valance	\$25	38	42	49	53	58	59	65	73	77	85	91	97	103	109	115	
Round-Corner Valance	28	42	48	58	61	64	66	77	85	88	98	103	111	119	128	136	
Double Round-Corner Valance	56	84	96	116	122	128	132	154	170	176	196	206	222	238	256	272	

One Touch[®] Control outlined in the chart above. Maximum overall blind size is 10,080 square inches (6.5 m²) (w x h). Available at no charge.

Price Group C: Stay Clear[™] Channel Panel Surcharges																		
Width up to inches (cm) →	Width up to inches (cm) →																	Replmt Vanes
	25 (63.5)	38 (96.6)	50 (127.0)	63 (160.1)	75 (190.5)	85 (215.9)	88 (223.6)	100 (254.0)	113 (287.1)	120 (304.8)	132 (335.3)	144 (365.8)	154 (391.2)	164 (416.6)	174 (442.0)	184 (467.4)	191 (485.2)	
Channel Panel	\$41	67	117	150	167	191	219	233	255	272	305	325	347	368	389	411	433	6

Colors																																																																
Vinyl						S-Shaped Linen S [*]						Fabric																																																				
Homespun II [*]			Rapture [*]			Lake Forest ^Δ			Quantum S			Baskerville			Harmony [®]																																																	
Beach	9113	Bleach	3612	Cafe	6263	Caffeine	0393	Citiescape	0232	Butterscotch	9112	Heather	3610	Cream	6261	Gouda	0392	Glacial	0233	Chocolate	9114	Steel	3614	Ebony	6265	Havarti	0390	Pebble	0230	Ivory	9111	Satin Stripe			Granite	6267	Provolone	0391	Tassel	0231																								
Lake Forest^Δ			Imperial	9489	Lakebed	6266	Brighton[®]			Chelsea	0201	Golden Oak	3771	Ivory	9480	Lichen	6262	Bark	4205	Eclipse	0205	Natural	3773	Sand	9481	Snow	6260	Sheffield[®]			Bone	4222	Henley	0202	Wheat	3770	Silversmith	9488	Chevre	3396	Platinum	4250	Meadow	0207	Cream	3391	Sugar Maple	4202	Tuscon	0204	Model	3395	Toast	4282	Weathered	0206	Shipwreck	3397	Tundra	4201	Windsor	0203	White	4219

^{*}Available in coordinating 2" (5.1 cm) horizontal vinyl blinds.
^ΔAvailable in coordinating Lake Forest[®] Faux Wood blinds.
[®]Some selections are available in coordinating LightWeaves[®] Roller, FashionPleat[®] and EvenPleat[®] Shades.

Price Charts

Fabric: Devon, Grasses, Tahiti Weave, Thatch
 Vinyl: Chenille, Parallels, Safari*
 Vinyl S-Shaped: Homespun II S

Price Group D: G-71 Super-Vue® and G-98 Ultra-Vue™

Height up to inches (cm)	Width up to inches (cm) →																Replmt Vanes	
	25 (63.5)	38 (96.6)	50 (127.0)	63 (160.1)	75 (190.5)	85 (215.9)	88 (223.6)	100 (254.0)	113 (287.1)	120 (304.8)	132 (335.3)	144 (365.8)	154 (391.2)	164 (416.6)	174 (442.0)	184 (467.4)		191 (485.2)
48 (122.0)	\$215	266	325	373	428	469	481	547	596	622	685	731	782	833	884	935	985	11
60 (152.4)	228	287	348	393	450	494	510	578	627	656	725	773	828	881	936	989	1044	13
72 (182.9)	243	299	368	417	471	518	534	609	663	691	767	818	875	933	989	1048	1106	13
84 (213.4)	253	313	388	440	499	542	561	640	696	726	804	860	918	978	1038	1097	1157	13
96 (243.9)	266	329	406	460	526	572	591	671	729	762	843	902	964	1024	1086	1149	1211	16
108 (274.4)	275	345	425	481	550	602	617	704	761	799	882	942	1009	1075	1141	1206	1272	16
120 (304.8)	292	363	449	510	582	638	651	742	799	834	924	985	1054	1122	1190	1259	1327	17
132 (335.3)	299	390	480	542	616	674	689	783	847	887	984	1053	1125	1197	1270	1342	1415	18
144 (365.8)	308	416	510	573	651	710	725	824	898	940	1046	1118	1194	1271	1347	1426	1502	19
156 (396.3)	314	442	541	605	685	747	763	866	947	993	1108	1184	1265	1345	1428	1509	1589	20
168 (426.8)	322	466	571	638	719	783	801	908	997	1044	1167	1250	1334	1420	1506	1590	1676	21
180 (457.2)	328	493	602	669	752	820	838	948	1048	1097	1228	1315	1405	1494	1584	1674	1764	22
192 (487.7)	336	518	632	701	785	856	876	989	1097	1151	1289	1380	1475	1570	1663	1757	1851	23

Add Surcharge to Blind Price

Square-Corner Valance	\$27	41	49	56	59	63	64	74	84	86	95	103	110	117	124	132	139	
Round-Corner Valance	32	49	56	63	68	73	79	88	94	98	110	117	125	134	142	150	158	
Double Round-Corner Valance	64	98	112	126	136	146	158	176	188	196	220	234	250	268	284	300	316	

Price Group D: G-85 Dura-Vue®

Height up to inches (cm)	Width up to inches (cm) →																Replmt Vanes	
	25 (63.5)	38 (96.6)	50 (127.0)	63 (160.1)	75 (190.5)	85 (215.9)	88 (223.6)	100 (254.0)	113 (287.1)	120 (304.8)	132 (335.3)	144 (365.8)	154 (391.2)	164 (416.6)	174 (442.0)	178¼ (454.1)		
48 (122.0)	\$202	249	298	338	387	419	427	488	528	552	605	646	693	737	783	828	880	11
60 (152.4)	216	269	319	354	406	445	455	519	561	585	646	689	736	784	832	880	934	13
72 (182.9)	227	282	340	378	427	468	481	546	595	618	687	731	782	833	884	934	989	13
84 (213.4)	240	293	356	401	455	495	505	579	627	653	722	773	826	881	934	989	1044	13
96 (243.9)	252	309	377	423	479	521	531	609	661	691	759	813	869	925	982	1037	1092	16
108 (274.4)	260	324	394	445	504	551	560	640	692	722	803	854	914	973	1032	1092	1145	16
120 (304.8)	276	344	419	471	533	584	594	677	728	758	843	896	958	1021	1084	1145	1200	17
132 (335.3)	283	369	449	502	568	620	630	717	778	811	903	960	1027	1094	1161	1228	1288	18
144 (365.8)	291	394	479	531	601	656	667	758	826	862	961	1024	1095	1166	1237	1309	1371	19

Add Surcharge to Blind Price

Square-Corner Valance	\$27	41	49	56	59	63	64	74	84	86	95	103	110	117	124	132	
Round-Corner Valance	32	49	56	63	68	73	79	88	94	98	110	117	125	134	142	150	
Double Round-Corner Valance	64	98	112	126	136	146	158	176	188	196	220	234	250	268	284	300	

One Touch® Control outlined in the chart above. Maximum overall blind size is 10,080 square inches (6.5 m²) (w x h). Available at no charge.

Price Group D: Stay Clear™ Channel Panel Surcharges

Width up to inches (cm)																	Replmt Vanes	
	25 (63.5)	38 (96.6)	50 (127.0)	63 (160.1)	75 (190.5)	85 (215.9)	88 (223.6)	100 (254.0)	113 (287.1)	120 (304.8)	132 (335.3)	144 (365.8)	154 (391.2)	164 (416.6)	174 (442.0)	184 (467.4)		191 (485.2)
Channel Panel	\$41	67	117	150	167	191	219	233	255	272	305	325	347	368	389	411	433	6

Colors

Vinyl		S-Shaped Homespun II S		Fabric	
Chenille	Safari*	Beach	Butterscotch	Devon	Tahiti Weave
Aluminum 6801	Buffalo 3640	Chocolate 9684	Ivory 9681	Abbot 0032	Autumn 0455
Chantarelle 6802	Hearthstone 3648	Chocolat 9684		Newton 0033	Basket Weave 0453
Cream 6791	Moccasin 3643			Plymouth 0030	Bourbon 0451
Filigree 6799	Quarry 3647			Torbay 0031	Hudson 0450
Off White 6790	Stormy Sage 3646				Tortoise Shell 0454
Syrah 6800				Grasses	
				Chestnut 1713	Thatch
Parallels				Hardwood 1712	Coffee 1565
Amaretto 6952				Maple 1710	Natural 1560
Mesa 6950				Twig 1711	Toffee 1563
Spice 6951					
Waterloo 6953					

*Available in coordinating 2" (5.1 cm) horizontal vinyl blinds.

Price Charts

Fabric: Allure®, Royale®, Strings, Tuvalu®, Urban Loft

Vinyl: Acropolis, Coronation*, Kensington*

Vinyl S-Shaped: Georgetown S*

Price Group E: G-71 Super-Vue® and G-98 Ultra-Vue™

Height up to inches (cm) ↓	Width up to inches (cm) →																	Replmt Vanes
	25 (63.5)	38 (96.6)	50 (127.0)	63 (160.1)	75 (190.5)	85 (215.9)	88 (223.6)	100 (254.0)	113 (287.1)	120 (304.8)	132 (335.3)	144 (365.8)	154 (391.2)	164 (416.6)	174 (442.0)	184 (467.4)	191 (485.2)	
48 (122.0)	\$239	294	360	413	474	520	532	605	659	689	758	809	866	922	979	1035	1090	13
60 (152.4)	252	317	385	435	498	547	564	640	695	725	803	856	916	975	1036	1095	1156	15
72 (182.9)	268	330	407	462	522	573	592	674	733	764	849	906	969	1032	1095	1160	1223	19
84 (213.4)	281	347	429	487	553	600	621	708	770	804	889	952	1016	1082	1149	1214	1280	19
96 (243.9)	294	365	449	509	582	633	654	743	807	844	932	998	1066	1134	1203	1271	1339	24
108 (274.4)	305	381	471	532	608	666	682	779	842	883	977	1043	1116	1189	1263	1335	1409	26
120 (304.8)	323	402	497	564	645	706	720	821	883	923	1023	1090	1166	1242	1318	1393	1469	27
132 (335.3)	330	431	531	600	681	747	762	867	937	982	1089	1165	1245	1326	1406	1486	1567	28
144 (365.8)	341	460	564	634	720	786	803	912	993	1040	1157	1237	1322	1407	1492	1578	1663	29
156 (396.3)	348	489	599	670	758	827	845	958	1048	1100	1226	1311	1400	1489	1580	1670	1760	30
168 (426.8)	357	516	632	706	796	867	886	1005	1104	1156	1292	1382	1477	1571	1667	1761	1854	31
180 (457.2)	364	546	666	741	832	908	928	1049	1160	1214	1360	1455	1554	1653	1753	1852	1952	32
192 (487.7)	371	573	700	775	870	948	970	1095	1214	1273	1427	1528	1633	1737	1841	1945	2049	33

Add Surcharge to Blind Price

Square-Corner Valance	\$30	46	55	63	66	72	76	82	92	96	108	113	122	130	138	146	155
Round-Corner Valance	34	53	63	72	76	82	85	96	107	109	124	132	141	150	160	169	178
Double Round-Corner Valance	68	106	126	144	152	164	170	192	214	218	248	264	282	300	320	338	356

Price Group E: G-85 Dura-Vue®

Height up to inches (cm) ↓	Width up to inches (cm) →																	Replmt Vanes
	25 (63.5)	38 (96.6)	50 (127.0)	63 (160.1)	75 (190.5)	85 (215.9)	88 (223.6)	100 (254.0)	113 (287.1)	120 (304.8)	132 (335.3)	144 (365.8)	154 (391.2)	164 (416.6)	174 (442.0)	178¼ (454.1)		
48 (122.0)	\$222	274	327	371	424	461	470	536	580	607	665	710	761	811	861	910	13	
60 (152.4)	238	296	351	390	446	490	501	570	617	643	710	756	810	862	915	967	15	
72 (182.9)	250	309	373	415	470	514	528	600	653	679	755	804	859	916	971	1027	19	
84 (213.4)	264	321	392	441	501	544	555	636	690	718	794	850	908	968	1027	1087	19	
96 (243.9)	277	340	414	465	526	573	584	669	727	759	834	894	956	1017	1079	1140	24	
108 (274.4)	286	357	432	490	554	606	616	703	760	794	882	938	1005	1070	1134	1201	26	
120 (304.8)	303	378	461	517	587	642	652	744	801	833	926	984	1053	1122	1191	1259	27	
132 (335.3)	310	405	494	552	624	681	693	788	855	891	991	1056	1129	1203	1276	1349	28	
144 (365.8)	319	432	526	584	660	721	733	833	908	948	1057	1125	1204	1282	1360	1438	29	

Add Surcharge to Blind Price

Square-Corner Valance	\$30	46	55	63	66	72	76	82	92	96	108	113	122	130	138	146
Round-Corner Valance	34	53	63	72	76	82	85	96	107	109	124	132	141	150	160	169
Double Round-Corner Valance	68	106	126	144	152	164	170	192	214	218	248	264	282	300	320	338

One Touch® Control outlined in the chart above. Maximum overall blind size is 10,080 square inches (6.5 m²) (w x h). Available at no charge.

Price Group E: Stay Clear™ Channel Panel Surcharges

Width up to inches (cm) →	25 (63.5)	38 (96.6)	50 (127.0)	63 (160.1)	75 (190.5)	85 (215.9)	88 (223.6)	100 (254.0)	113 (287.1)	120 (304.8)	132 (335.3)	144 (365.8)	154 (391.2)	164 (416.6)	174 (442.0)	184 (467.4)	191 (485.2)	Replmt Vanes
Channel Panel	\$41	67	117	150	167	191	219	233	255	272	305	325	347	368	389	411	433	6

Colors

Vinyl		S-Shaped Georgetown S*		Fabric	
Acropolis	Kensington*	Georgetown S*	Allure®	Strings	
Laurel Wreath 3134	Bellhop 3255	Capitol Hill 6698	Fog 0511	Delicate 4750	
Olive Oil 3132	Fresh Linens 3250	Flax 6697	Glimmer 0512	Parfait 4751	
Olympus 3130	Passport 3252	National Mall 6699	Latte 0513	Urban Mist 4753	
Parthenon 3133	Room Key 3253	Smithsonian 6700	Still Water 0514	Winsome 4752	
Poseidon 3131	Titanium 3254	Tawny 6693	Titanium 0510		Tuvalu®
		White 6691			Cream Caramel 0440
Coronation*			Royale®		Cream Silk 0441
Decree 3751			Granite 0431		French Silk 0442
Princess 3750			Ivory 0430		
Proclamation 3752			Rapture 0434		Urban Loft
Royal Coach 3753			Saddle 0433		Ductwork 0380
Sceptre 3754			Storm 0432		Exposed Brick 0382
					Rooftop 0383
					Skyline 0381

*Available in coordinating 2" (5.1 cm) horizontal vinyl blinds.

®Some selections are available in coordinating LightWeaves® Roller, FashionPleat® and EvenPleat® Shades.

Price Charts

Fabric: Compass, Crossweave®, Network, Prescott

Price Group F: G-71 Super-Vue® and G-98 Ultra-Vue™

Height up to inches (cm) ↓	Width up to inches (cm) →																	Replmt Vanes
	25 (63.5)	38 (96.6)	50 (127.0)	63 (160.1)	75 (190.5)	85 (215.9)	88 (223.6)	100 (254.0)	113 (287.1)	120 (304.8)	132 (335.3)	144 (365.8)	154 (391.2)	164 (416.6)	174 (442.0)	184 (467.4)	191 (485.2)	
48 (122.0)	\$267	334	405	466	532	583	599	680	743	772	854	910	973	1036	1098	1161	1224	18
60 (152.4)	286	357	434	486	561	615	634	720	781	816	902	961	1028	1094	1162	1229	1296	20
72 (182.9)	301	372	456	517	589	645	664	756	824	860	955	1018	1088	1159	1229	1299	1370	22
84 (213.4)	316	390	480	547	621	676	696	797	865	905	1002	1070	1143	1217	1290	1364	1437	23
96 (243.9)	334	410	505	572	654	711	734	834	908	949	1048	1120	1197	1275	1355	1432	1510	29
108 (274.4)	344	427	529	599	684	750	768	875	946	992	1098	1175	1257	1338	1421	1503	1585	31
120 (304.8)	363	454	558	634	724	794	809	924	992	1039	1151	1226	1311	1397	1482	1568	1653	34
132 (335.3)	373	485	597	674	766	838	859	976	1053	1105	1226	1309	1400	1491	1582	1673	1764	35
144 (365.8)	384	517	633	713	808	885	906	1028	1115	1168	1303	1392	1487	1584	1681	1777	1873	36
156 (396.3)	392	548	671	752	850	931	955	1080	1177	1232	1379	1476	1579	1682	1784	1887	1990	37
168 (426.8)	400	581	707	794	894	977	1004	1132	1236	1298	1457	1560	1668	1776	1884	1992	2100	38
180 (457.2)	409	612	745	833	935	1022	1052	1185	1298	1365	1532	1642	1755	1869	1983	2096	2209	39
192 (487.7)	418	644	781	872	977	1070	1099	1236	1361	1430	1611	1724	1843	1961	2081	2200	2318	43

Add Surcharge to Blind Price

Square-Corner Valance	\$38	58	68	80	82	90	92	104	114	116	134	141	150	160	169	178	187
Round-Corner Valance	42	65	80	90	95	104	106	116	133	136	152	164	175	186	198	209	220
Double Round-Corner Valance	84	130	160	180	190	208	212	232	266	272	304	328	350	372	396	418	440

Price Group F: G-85 Dura-Vue®

Height up to inches (cm) ↓	Width up to inches (cm) →																Replmt Vanes
	25 (63.5)	38 (96.6)	50 (127.0)	63 (160.1)	75 (190.5)	85 (215.9)	88 (223.6)	100 (254.0)	113 (287.1)	120 (304.8)	132 (335.3)	144 (365.8)	154 (391.2)	164 (416.6)	174 (442.0)	178% (454.1)	
48 (122.0)	\$251	311	372	419	480	521	532	606	658	686	753	806	862	920	977	1034	18
60 (152.4)	269	333	397	441	505	553	567	645	698	729	806	856	916	975	1034	1094	20
72 (182.9)	285	350	421	471	532	582	598	680	740	770	853	910	971	1034	1098	1160	22
84 (213.4)	298	365	445	497	567	614	629	721	781	814	900	961	1028	1095	1162	1229	23
96 (243.9)	313	385	469	527	597	647	663	757	822	858	948	1013	1083	1153	1223	1293	29
108 (274.4)	324	404	491	553	628	685	697	798	859	900	998	1062	1135	1209	1281	1355	31
120 (304.8)	344	428	521	585	664	728	738	843	908	946	1048	1115	1193	1271	1349	1428	34
132 (335.3)	352	460	558	624	707	773	785	895	966	1010	1123	1197	1280	1365	1448	1532	35
144 (365.8)	361	492	596	663	747	818	834	946	1026	1072	1199	1276	1366	1455	1544	1633	36

Add Surcharge to Blind Price

Square-Corner Valance	\$38	58	68	80	82	90	92	104	114	116	134	141	150	160	169	178
Round-Corner Valance	42	65	80	90	95	104	106	116	133	136	152	164	175	186	198	209
Double Round-Corner Valance	84	130	160	180	190	208	212	232	266	272	304	328	350	372	396	418

One Touch® Control outlined in the chart above. Maximum overall blind size is 10,080 square inches (6.5 m²) (w x h). Available at no charge.

Price Group F: Stay Clear™ Channel Panel Surcharges

Width up to inches (cm) →	25 (63.5)	38 (96.6)	50 (127.0)	63 (160.1)	75 (190.5)	85 (215.9)	88 (223.6)	100 (254.0)	113 (287.1)	120 (304.8)	132 (335.3)	144 (365.8)	154 (391.2)	164 (416.6)	174 (442.0)	184 (467.4)	191 (485.2)	Replmt Vanes
Channel Panel	\$41	67	117	150	167	191	219	233	255	272	305	325	347	368	389	411	433	6

Colors

		Fabric			
	Compass	Crossweave®	Network	Prescott	
Due North	0072	Beechwood	2510	Medallion	0372
South Seas	0071	Beech	2504	Quicksilver	0371
True West	0070	Tahiti	2512	Seashell	0370
		Thatched Roof	2513		
				Dune	0172
				Fossil	0171
				Mirage	0170

*Some selections are available in coordinating LightWeaves® Roller, FashionPleat®, and EvenPleat® Shades.

Price Charts

Price Group G: Sheer Vertical Blinds: Gossamer[§], Highlight[§]

Height up to inches (cm) ↓	Width up to inches (cm) →												Replmt Vanes	
	25 (63.5)	38 (96.6)	51 (129.6)	63 (160.1)	76 (193.1)	85 (215.9)	88 (223.6)	101 (256.6)	120 (304.8)	144 (365.8)	170 (431.8)	178 (452.2)		191 (485.2)
48 (122.0)	\$844	1030	1258	1495	1679	1937	1969	2191	2437	2769	3625	3833	4111	2
60 (152.4)	917	1244	1410	1592	1811	1969	2005	2220	2613	3127	3760	3973	4243	5
72 (182.9)	964	1258	1426	1607	1832	1985	2073	2324	2694	3213	3792	4006	4281	5
84 (213.4)	979	1277	1447	1630	1848	2005	2089	2346	2746	3430	3826	4043	4325	5
96 (243.9)	988	1301	1469	1653	1872	2028	2111	2367	2815	3485	3863	4078	4358	5
104 (264.2)	1004	1306	1483	1671	1890	2046	2130	2381	2885	3541	3890	4109	4386	7
Add Surcharge to Blind Price														
Round-Corner Valance	\$46	72	88	99	105	114	117	128	150	180	218	230	242	
Double Round-Corner Valance	92	144	176	198	210	228	234	256	300	360	436	460	484	

NOTE: Dauphine[®] valance is available at no charge.

Colors

Sheer

Gossamer[§]

Champagne 1720
 Parchment 1722
 Snowstone 1724
 White 1725

Highlight[§]

Champagne 1740
 Snowstone 1742
 White 1741

Price Group H: Sheer Vertical Blinds: Bengali[§], Cascade[§], Dijon

Height up to inches (cm) ↓	Width up to inches (cm) →												Replmt Vanes	
	25 (63.5)	38 (96.6)	51 (129.6)	63 (160.1)	76 (193.1)	85 (215.9)	88 (223.6)	101 (256.6)	120 (304.8)	144 (365.8)	170 (431.8)	178 (452.2)		191 (485.2)
48 (122.0)	\$965	1174	1435	1707	1915	2208	2245	2496	2778	3152	4133	4370	4683	2
60 (152.4)	1048	1422	1612	1814	2066	2245	2282	2530	2978	3564	4289	4531	4836	5
72 (182.9)	1102	1438	1629	1832	2087	2264	2362	2649	3075	3662	4327	4568	4884	5
84 (213.4)	1119	1462	1652	1860	2110	2282	2383	2674	3132	3915	4363	4609	4931	5
96 (243.9)	1130	1486	1676	1883	2136	2316	2407	2700	3212	3975	4404	4652	4973	5
104 (264.2)	1152	1492	1695	1909	2157	2335	2430	2717	3295	4042	4433	4685	5002	7
Add Surcharge to Blind Price														
Round-Corner Valance	\$48	76	92	104	110	120	123	134	158	189	229	242	254	
Double Round-Corner Valance	96	152	184	208	220	240	246	268	316	378	458	484	508	

NOTE: Dauphine[®] valance is available at no charge.

Colors

Sheer

Bengali[§]

Jute 2760

Cascade[§]

Champagne 2080

Dijon

Downey 2221
 Extra White 2220
 Stucco 2222

[§]Available in coordinating Graber[®] Artisan.

Options Pricing

Options Pricing	
Vertical Blind Options	Surcharge
Angled Window Blind	Price from G-71 charts using angle width and longest height, and add \$420
Angled Window Headrail	Price from G-71 charts using angle width, and add \$420
Bay and Corner Window	No charge
Bottom Chain and Clips (fabric)	\$45
Bottom Chain (vinyl)	\$45
Curved Blind	Price from G-71 charts; use a flexible ruler to measure curve width and height, and add surcharge
Curved Headrail	Price as G-71 headrail; use a flexible ruler to measure curve width and add surcharge
Cut-Outs	\$67
Double Round-Corner Valance	See price charts for surcharge
Headrail Pricing	See headrail pricing
One Touch® Control	No charge
Paired Blinds	Price as two blinds and add together; no surcharge
Projection Brackets: 4 ³ / ₈ " (11.2 cm)	No charge
Round-Corner Valance	See price charts for surcharge
Square-Corner Valance	See price charts for surcharge
Stacking Options	Center/uneven stack: \$42 per blind; opposite stack: \$42 per blind
Stay Clear™ Channel Panels	See price charts for surcharge
Vane Replacements	See price charts
Wood Cornices and Valances	See cornice and valances price list for pricing information
Sheer Vertical Blind Options	Surcharge
Bay and Corner Window	No charge
Cut Yardage	Gossamer, Highlight: \$50 per yard Bengali, Cascade, Dijon: \$100 per yard
Dauphine® Valance	No charge
Double Round-Corner Valance	See price charts for surcharge
Paired Blinds	Price as two separate blinds and add together
Round-Corner Valance	See price charts for surcharge
Vane Replacement	See price charts
Wood Cornices and Valances	See cornice and valance price list for pricing information

Options Pricing

Vertical Blinds: Headrail Pricing

Width up to inches (cm) →	25 (63.5)	38 (96.6)	50 (127.0)	63 (160.1)	75 (190.5)	85 (215.9)	88 (223.6)	100 (254.0)	113 (287.1)	120 (304.8)	132 (335.3)	144 (365.8)	158 (401.4)	170 (431.8)	177 (449.6)	191 (485.2)
---------------------------	--------------	--------------	---------------	---------------	---------------	---------------	---------------	----------------	----------------	----------------	----------------	----------------	----------------	----------------	----------------	----------------

3½" (8.9 cm) Spacing for G-71 Super-Vue® and G-98 Ultra-Vue™ (Headrail Only, No Vanes)

G-71 and G-98 Headrail	\$71	109	144	182	215	246	254	289	324	348	381	414	450	488	503	549
------------------------	------	-----	-----	-----	-----	-----	-----	-----	-----	-----	-----	-----	-----	-----	-----	-----

3½" (8.9 cm) Spacing for G-85 Dura-Vue® (Headrail Only, No Vanes)

G-85 Headrail	\$60	93	118	147	172	195	199	228	257	277	302	330	354	386	396
---------------	------	----	-----	-----	-----	-----	-----	-----	-----	-----	-----	-----	-----	-----	-----

NOTE: Valance not included with replacement headrail. Must be ordered separately. See individual price chart for ordering.
Replacement headrails include installation hardware.

*Dura-Vue Maximum size 178¾" (454.1 cm)

Vertical Blinds: Curved Headrail Surcharge

Width up to inches (cm) →	63 (160.1)	75 (190.5)	85 (215.9)	88 (223.6)	100 (254.0)	113 (287.1)	120 (304.8)	132 (335.3)	144 (365.8)	158 (401.4)	168 (426.8)
Surcharge	\$256	301	337	349	394	440	465	508	557	599	644

To determine price: price as a G-71 headrail.

Sheer Vertical Blinds: Replacement Headrail Pricing

Width up to inches (cm) →	25 (63.5)	38 (96.6)	51 (129.6)	63 (160.1)	76 (193.1)	85 (215.9)	88 (223.6)	101 (256.6)	120 (304.8)	144 (365.8)	170 (431.8)	178 (452.2)	191 (485.2)
Headrail	\$93	142	190	237	283	315	329	376	448	539	636	659	713

Sheer Vertical Blinds: Replacement Fabric Pricing

Width up to inches (cm) →	25 (63.5)	38 (96.6)	51 (129.6)	63 (160.1)	76 (193.1)	85 (215.9)	88 (223.6)	101 (256.6)	120 (304.8)	144 (365.8)	170 (431.8)	178 (452.2)	191 (485.2)
Group G	\$697	1059	1134	1364	1509	1565	1655	1856	2186	2592	3059	3201	3439
Group H	805	1226	1322	1585	1781	1838	1949	2188	2583	3067	3619	3786	4067

Sheer Vertical Blinds: Replacement Valance Fabric only Pricing

Width up to inches (cm) →	25 (63.5)	38 (96.6)	51 (129.6)	63 (160.1)	76 (193.1)	85 (215.9)	88 (223.6)	101 (256.6)	120 (304.8)	144 (365.8)	170 (431.8)	178 (452.2)	191 (485.2)
Valance Fabric Only	\$16	22	35	44	49	56	58	66	82	96	115	118	125

Replacement Dauphine® Valance with Shirred Fabric Pricing

Width up to inches (cm) →	25 (63.5)	38 (96.6)	51 (129.6)	63 (160.1)	76 (193.1)	85 (215.9)	88 (223.6)	101 (256.6)	120 (304.8)	144 (365.8)	170 (431.8)	178 (431.8)	191 (485.2)
Group G	\$84	124	166	210	254	294	299	352	404	497	587	616	658
Group H	96	143	191	232	276	309	323	366	436	525	624	648	699

Replacement Round-Corner Valance Pricing

Width up to inches (cm) →	25 (63.5)	38 (96.6)	51 (129.6)	63 (160.1)	76 (193.1)	85 (215.9)	88 (223.6)	101 (256.6)	120 (304.8)	144 (365.8)	170 (431.8)	178 (431.8)	191 (485.2)
Group G	\$46	72	88	99	105	114	117	128	150	180	218	230	242
Group H	48	76	92	104	110	120	123	134	158	189	229	242	254

Replacement Double Round-Corner Valance Pricing

Width up to inches (cm) →	25 (63.5)	38 (96.6)	51 (129.6)	63 (160.1)	76 (193.1)	85 (215.9)	88 (223.6)	101 (256.6)	120 (304.8)	144 (365.8)	170 (431.8)	178 (431.8)	191 (485.2)
Group G	\$92	144	176	198	210	228	234	256	300	360	436	460	484
Group H	96	152	184	208	220	240	246	268	316	378	458	484	508



Graber is a brand of Springs Window Fashions, the Best Experience Company 

Graber and the Graber logo are registered trademarks of Springs Window Fashions, LLC.

19-0413-09 (07/17) 17-5946|S17-5060