



Custom
Textured Blinds

kirsch®

Suggested Retail Pricing
Effective September 2011

Textured Blinds

Table of Contents

Overview

How to Place an Order	3
How to Measure	4
Critical Dimensions	5-6
Finish Index	7
Cleaning Guide	7

Pricing

Price Group 1 - Galway	8-9
Price Group 2 - Driftwood, Tactics, Wingate, Fresco	10-11
Price Group 3 - Faux Leather	12-13

Product Guide

Options and Upgrades	14
Exploded View - Textured Blind with Part Numbers	15
Exploded Views - Traditional/Transitional Valance	
Inside & Outside Mount with Part Numbers	16
Exploded Views - DesignLine™ Valance	
Inside & Outside Mount with Part Numbers	16
Terms and Conditions	17
Lifetime Limited Warranty	18

How to Place an Order

STEP 1 General Blind Information

Color Number
Color Description

STEP 2 Options and Upgrades

The following options may be available. See individual price page information for detailed availability.

Control Locations and Type	Hold-Down Brackets
Multiple Blinds on One Headrail	Extension Brackets
Valance Upgrade	Extended Valance

STEP 3 Mount Type and Blind Measurements

See page 4 for measurement instructions

Inside or Outside Mount
WIDTH first, then HEIGHT

STEP 4 Quantity of Blinds Being Ordered

STEP 5 Delivery Options

Indicate ship to address

STEP 6 Purchase Order Number

Textured Blinds

How to Measure

NOTE: Smallest unit of measure is 1/8".

Blinds installed on windows near wall or baseboard heaters must clear the heaters by 12" above and 6" to the side.

INSIDE MOUNT

Inside Mount (IM) Installation

To find width: Measure exact distance to the nearest 1/8" between inside surfaces of window frame at the top, middle, and bottom, and use the narrowest width. Do not make any width deductions. Factory will make the appropriate deductions.

To find height: Measure exact distance to the nearest 1/8" from inside surface at top of window to sill at the left, middle and right and use the longest height. If you prefer blind not to touch sill, deduct 1/4". If there is no sill, measure height to point where blind is to reach.

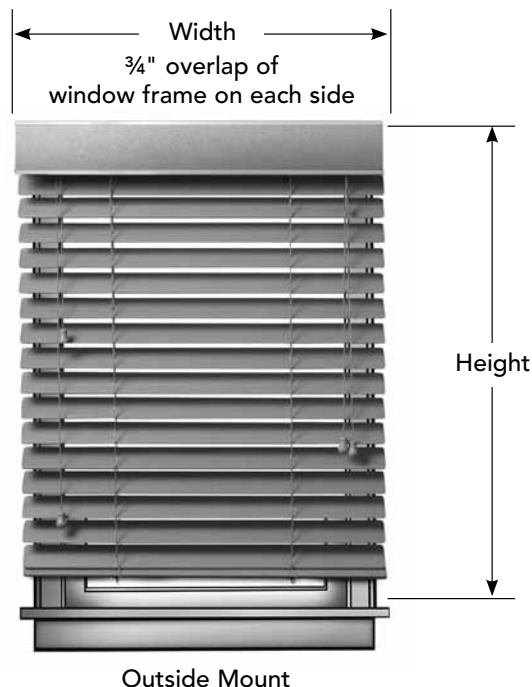


OUTSIDE MOUNT

Outside Mount (OM) Installation

To find width: Measure exact distance to the nearest 1/8" between the outermost points where the blind is to be placed. For optimum light control, this measurement should extend 3/4" beyond the window opening on each side (or 1 1/2" for the entire width).

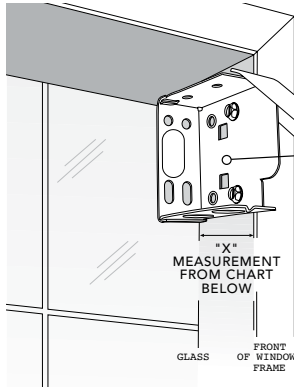
To find height: Measure exact distance to the nearest 1/8" from where top of blind will be located to top of sill. Blind should extend at least 2" above opening or window frame. If there is no sill or if blind is to overlap window frame, measure to point where blind is to reach.



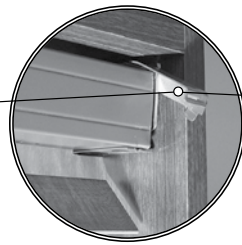
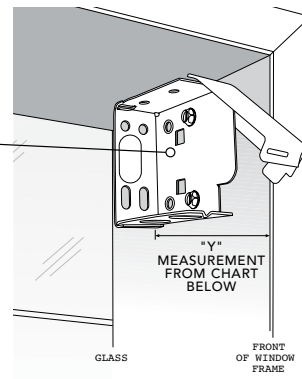
Critical Dimensions

HEADRAIL DIMENSIONS AND INSTALLATION DEPTH REQUIREMENTS

Headrail and Valance Protruding Mount Installation



Headrail and Valance Flush Mount Installation



Mounting Box Bracket

	HEADRAIL DIMENSIONS (Height x Depth)	Minimum Mounting Surface	
		HEADRAIL AND VALANCE PROTRUDES Clearances necessary for either side, back or top mount	FLUSH MOUNT HEADRAIL AND VALANCE
DesignLine Valance	1½" x 2¼"	1 ¼"	3 ⅝"
Traditional Valance	1½" x 2¼"	1 ¼"	4 ½"
Transitional Valance	1½" x 2¼"	1 ¼"	3 ⅞"

OUTSIDE MOUNT VALANCE RETURN MEASUREMENT

Standard valance return is 2⅝". If a longer return is needed, measure the inside return length of the valance as shown and provide measurement. See page 14 for minimum and maximum valance return length as well as other valance measurements.

Outside Mount Valance (top view)



Textured Blinds

Critical Dimensions

SIZE LIMITATIONS

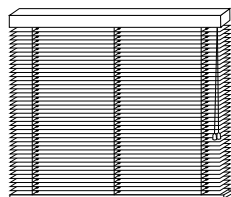
	Inside Mount (IM)*		Outside Mount (OM)	
	Minimum Width	Minimum Width	Minimum Width	Minimum Width
Tilt and Lift Controls - Opposite Side	10¼"	96½"	10"	96"
Tilt Control in Center; No Lift Control	9½"	10¼"	9¼"	10"
No Tilt and Lift Controls; Slats in Open Position	6⅞"	9½"	6⅞"	9¼"

* Before factory deductions

FACTORY DEDUCTIONS

	Inside Mount	Outside Mount
Headrail	-½"	-¼"
Slat	-½"	0
Valance	0	+1"

LADDER AND CORD COUNT CHART



Blind Width Inside Mount*	Blind Width Outside Mount	Number of Ladders	Number of Standard Cords
10½" to 19½"	10" to 19"	2	2
19⅝" to 33½"	19⅞" to 33"	3	2
33⅝" to 45½"	33⅞" to 45"	4	4
45⅝" to 57½"	45⅞" to 57"	5	3
57⅝" to 69½"	57⅞" to 69"	6	4
69⅝" to 81½"	69⅞" to 81"	7	4
81⅝" to 93½"	81⅞" to 93"	8	4

* Before factory deductions

STACKING CHART**

Blind Height	36"	42"	48"	54"	60"	66"	72"	84"	96"	108"	120"
Stack Height†	2½"	2⅝"	2⅞"	3"	3⅝"	3⅞"	3½"	3⅞"	4¼"	4⅝"	4⅞"



**Stacking dimensions are approximate and could vary ±1".

†Stack height does not include headrail height.

Textured Blinds

Finish Index

All Textured Blind Collections have a matching collection in Vertical Blinds.

PRICE GROUP 1

Galway Collection

Color #	Description
64086029	Pearl White
64086030	Linen
64086031	Alabaster Cream
64070193	Ash
64086033	Maple
64070191	Wheat
64070192	Toffee

PRICE GROUP 2

Driftwood Collection

Color #	Description
63952501	Muslin
63952502	Clay
63952500	Bamboo
63952503	Putty
63952504	Cork
63952505	Clove

Tactics Collection

Color #	Description
64286046	Cloud
64286049	Boardwalk
64286048	Light Pumpkin
64287071	Tumbleweed
64287070	Saltillo
64286050	Pottery

Wingate Collection

Color #	Description
64351711	Whitewash
64351710	Wild Dunes
64351712	Sesame
64351713	Row Boat
64351717	Russet
64351716	Tobacco

Fresco Collection

Color #	Description
64451771	Ivory
64451772	Granite
64451773	Oatmeal
64451770	Saltillo
64451774	Brownstone

PRICE GROUP 3

Faux Leather Collection

Color #	Description
64151901	Bone
64151902	Alabaster
64151903	Cocoa
64151904	Honey
64151905	Whiskey
64151900	Saddle
64151907	Black

All Textured Blind slats provide room darkening.

Cleaning Guide

Keep your Kirsch® Textured Blinds looking their best with routine maintenance. You can clean the blind hanging in place or you can take it down. By tilting the slats down, but not quite closed, you will be able to clean most of the top surface of each slat.



- Periodically wipe blinds with a soft cloth, a dusting mitt, or a soft, lightly dampened cloth.
- Do not use solvents or abrasive solutions to clean the blind. This will cause damage to the blind which is not covered under warranty.



- You may also periodically wipe blinds with the brush attachment from a vacuum cleaner.

Textured Blinds

Price Group 1

Galway Collection

AVAILABLE COLORS - GALWAY COLLECTION

Pearl White	64086029	Ash	64070193	Toffee	64070192
Linen	64086030	Maple	64086033		
Alabaster Cream	64086031	Wheat	64070191		

SIZE LIMITATIONS

	Inside Mount (IM)*		Outside Mount (OM)	
	Minimum Width	Maximum Width	Minimum Width	Maximum Width
Tilt and Lift Controls - Opposite Side	10¼"	96½"	10"	96"
Tilt Control in Center; No Lift Control	9½"	10½"	9¼"	10"
No Tilt and Lift Controls; Slats in Open Position	6¾"	9½"	6¾"	9¼"

* Before factory deductions

Textured Blinds

Price Group 1

Galway Collection

PRICE GROUP 1

Height to	Width to																
	24"	31"	36"	42"	48"	54"	60"	66"	72"	78"	84"	90"	96"	108"	120"	132"	144"
30"	206	234	280	322	365	412	444	491	539	575	618	665	712	758	815	870	927
36"	229	271	313	351	398	444	497	539	581	632	670	712	754	805	866	923	988
42"	257	305	356	393	444	497	558	604	651	702	754	796	847	908	974	1,040	1,110
48"	286	337	389	435	497	548	613	670	735	792	853	918	974	1,045	1,119	1,194	1,279
54"	309	365	421	473	543	609	674	744	805	876	941	1,011	1,077	1,152	1,232	1,321	1,410
60"	337	393	463	520	590	665	740	815	885	960	1,030	1,106	1,176	1,260	1,349	1,443	1,546
66"	365	435	510	571	646	731	815	899	974	1,054	1,138	1,218	1,306	1,395	1,494	1,602	1,715
72"	393	468	552	623	712	796	885	979	1,063	1,152	1,245	1,330	1,420	1,517	1,630	1,742	1,864
78"	402	487	581	679	773	862	969	1,063	1,152	1,245	1,344	1,437	1,536	1,649	1,766	1,888	2,019
84"	440	529	627	726	828	937	1,040	1,142	1,241	1,344	1,447	1,551	1,663	1,776	1,897	2,033	2,174
90"	463	562	670	777	889	1,007	1,115	1,222	1,335	1,437	1,536	1,649	1,766	1,888	2,019	2,160	2,309
96"	487	594	716	828	946	1,068	1,184	1,306	1,420	1,517	1,630	1,742	1,864	1,995	2,136	2,286	2,440
102"	520	627	754	880	1,007	1,133	1,260	1,386	1,485	1,588	1,700	1,818	1,944	2,080	2,225	2,379	2,548
108"	548	670	805	937	1,063	1,199	1,335	1,466	1,574	1,681	1,799	1,926	2,056	2,197	2,352	2,516	2,699
114"	575	702	843	988	1,124	1,264	1,405	1,508	1,616	1,728	1,846	1,977	2,117	2,258	2,417	2,590	2,773
120"	604	740	895	1,035	1,180	1,330	1,485	1,593	1,700	1,822	1,949	2,084	2,230	2,385	2,553		
	single blind				2 blinds on one headrail						3 blinds on one headrail				Not available		

Surcharge Options

DesignLine™ Valance (replacement)	8	8	14	18	18	27	27	33	33	37	42	46	51	56	61	65	65
Transitional Valance*	18	23	27	42	46	61	65	75	79	84	93	107	117	122	135	145	154
Traditional Valance*	23	33	42	56	65	79	88	107	107	117	135	149	159	173	187	201	215

DesignLine™ Valance comes standard at no additional cost.
 *Trim color must be specified. See page 14 for available colors.

Shaded area requires multiple blinds per headrail. To price multiple blinds on a headrail, see price above based on overall width then add appropriate surcharge from below.

FREE OPTIONS*

- DesignLine™ Valance (Standard)
- Cord Tilt Only
- Choice of Control Options
 - Tilter Left, Lift Cord Right (Standard)
 - Tilter Right, Lift Cord Left
- Hold-Down Brackets
- Extension Brackets (2" or 4")
- Extended Valance (Up to 3" Greater than Ordered Width)

* Must be requested at time of the order. See page 14 for details.

SURCHARGE OPTIONS

Valance Upgrades	See Price Grid
2 Blinds per Headrail	\$112
3 Blinds per Headrail	\$145

Textured Blinds

Price Group 2

Driftwood, Tactics, Wingate and Fresco Collections

AVAILABLE COLORS - DRIFTWOOD COLLECTION

Muslin	63952501	Putty	63952503
Clay	63952502	Cork	63952504
Bamboo	63952500	Clove	63952505

AVAILABLE COLORS - TACTICS COLLECTION

Cloud	64286046	Tumbleweed	64287071
Boardwalk	64286049	Saltillo	64287070
Light Pumpkin	64286048	Pottery	64286050

AVAILABLE COLORS - WINGATE COLLECTION

Whitewash	64351711	Row Boat	64351713
Wild Dunes	64351710	Russet	64351717
Sesame	64351712	Tobacco	64351716

AVAILABLE COLORS - FRESCO COLLECTION

Ivory	64451771	Saltillo	64451770
Granite	64451772	Brownstone	64451774
Oatmeal	64451773		

SIZE LIMITATIONS

	Inside Mount (IM)*		Outside Mount (OM)	
	Minimum Width	Maximum Width	Minimum Width	Maximum Width
Tilt and Lift Controls - Opposite Side	10¼"	96½"	10"	96"
Tilt Control in Center; No Lift Control	9½"	10¼"	9¼"	10"
No Tilt and Lift Controls; Slats in Open Position	6⅞"	9½"	6⅞"	9¼"

* Before factory deductions

Textured Blinds

Price Group 2

Driftwood, Tactics, Wingate and Fresco Collections

PRICE GROUP 2

Height to	Width to																
	24"	31"	36"	42"	48"	54"	60"	66"	72"	78"	84"	90"	96"	108"	120"	132"	144"
30"	261	299	360	417	468	520	571	623	684	731	786	847	904	965	1,040	1,110	1,180
36"	295	347	402	449	510	571	627	684	740	805	853	904	960	1,026	1,106	1,176	1,260
42"	332	389	454	505	571	636	707	768	828	895	960	1,011	1,082	1,157	1,241	1,325	1,414
48"	365	431	497	552	627	697	782	853	937	1,007	1,087	1,171	1,241	1,330	1,428	1,523	1,630
54"	393	468	539	604	688	773	857	946	1,026	1,115	1,199	1,288	1,372	1,471	1,569	1,686	1,799
60"	431	505	585	660	749	847	941	1,040	1,129	1,222	1,311	1,410	1,498	1,607	1,724	1,841	1,968
66"	463	552	646	726	819	931	1,040	1,142	1,241	1,344	1,452	1,555	1,667	1,780	1,907	2,038	2,183
72"	505	600	702	792	904	1,011	1,129	1,245	1,353	1,471	1,588	1,696	1,812	1,934	2,075	2,221	2,375
78"	515	618	740	862	984	1,096	1,237	1,353	1,471	1,588	1,715	1,836	1,962	2,099	2,248	2,403	2,571
84"	558	670	796	923	1,054	1,194	1,325	1,456	1,583	1,715	1,846	1,972	2,117	2,263	2,417	2,590	2,769
90"	585	712	853	988	1,133	1,283	1,420	1,559	1,705	1,836	1,962	2,099	2,248	2,403	2,571	2,754	2,946
96"	618	754	914	1,054	1,203	1,363	1,513	1,667	1,812	1,934	2,075	2,221	2,375	2,544	2,722	2,914	3,110
102"	660	796	960	1,124	1,283	1,447	1,607	1,770	1,888	2,019	2,164	2,314	2,478	2,651	2,839	3,036	3,247
108"	697	853	1,026	1,194	1,353	1,532	1,705	1,873	2,004	2,141	2,291	2,455	2,623	2,801	2,998	3,209	3,434
114"	731	895	1,072	1,260	1,433	1,612	1,794	1,920	2,056	2,202	2,352	2,520	2,699	2,876	3,083	3,298	3,532
120"	768	941	1,138	1,321	1,504	1,696	1,897	2,029	2,164	2,318	2,483	2,657	2,843	3,041	3,251		
	single blind				2 blinds on one headrail						3 blinds on one headrail				Not available		

Surcharge Options

DesignLine™ Valance (replacement)	8	8	14	18	23	27	33	37	37	42	46	51	51	61	61	69	69
Transitional Valance*	18	23	33	42	51	61	69	79	84	88	103	117	122	130	145	154	168
Traditional Valance*	27	33	46	61	69	88	98	112	117	126	145	159	173	187	201	215	229

DesignLine™ Valance comes standard at no additional cost.
*Trim color must be specified. See page 14 for available colors.

Shaded area requires multiple blinds per headrail. To price multiple blinds on a headrail, see price above based on overall width then add appropriate surcharge from below.

FREE OPTIONS*

- DesignLine™ Valance (Standard)
- Cord Tilt Only
- Choice of Control Options
 - Tilter Left, Lift Cord Right (Standard)
 - Tilter Right, Lift Cord Left
- Hold-Down Brackets
- Extension Brackets (2" or 4")
- Extended Valance (Up to 3" Greater than Ordered Width)

* Must be requested at time of the order. See page 14 for details.

SURCHARGE OPTIONS

Valance Upgrades	See Price Grid
2 Blinds per Headrail	\$112
3 Blinds per Headrail	\$145

Textured Blinds

Price Group 3

Faux Leather Collection

AVAILABLE COLORS - FAUX LEATHER COLLECTION

Bone	64151901	Honey	64151904	Black	64151907
Alabaster	64151902	Whiskey	64151905		
Cocoa	64151903	Saddle	64151900		

SIZE LIMITATIONS

	Inside Mount (IM)*		Outside Mount (OM)	
	Minimum Width	Maximum Width	Minimum Width	Maximum Width
Tilt and Lift Controls - Opposite Side	10¼"	96½"	10"	96"
Tilt Control in Center; No Lift Control	9½"	10"	9¼"	10"
No Tilt and Lift Controls; Slats in Open Position	6¾"	9½"	6½"	9¼"

* Before factory deductions

Textured Blinds

Price Group 3

Faux Leather Collection

PRICE GROUP 3

Height to	Width to																
	24"	31"	36"	42"	48"	54"	60"	66"	72"	78"	84"	90"	96"	108"	120"	132"	144"
30"	295	337	407	468	524	585	642	702	768	824	885	950	1,021	1,087	1,167	1,245	1,330
36"	332	393	454	505	575	642	707	768	828	904	960	1,021	1,082	1,152	1,241	1,321	1,420
42"	370	440	515	566	642	716	796	862	931	1,007	1,082	1,138	1,213	1,302	1,395	1,490	1,593
48"	412	487	562	623	707	782	876	960	1,054	1,133	1,222	1,316	1,395	1,498	1,607	1,715	1,836
54"	444	524	609	679	777	870	965	1,068	1,152	1,255	1,349	1,452	1,546	1,654	1,766	1,897	2,023
60"	487	566	660	740	843	950	1,058	1,167	1,269	1,377	1,481	1,588	1,686	1,808	1,934	2,071	2,211
66"	520	623	731	815	923	1,045	1,167	1,288	1,395	1,513	1,635	1,747	1,873	2,004	2,145	2,295	2,455
72"	566	674	792	889	1,021	1,138	1,269	1,405	1,527	1,654	1,789	1,911	2,038	2,178	2,333	2,497	2,670
78"	581	693	828	974	1,106	1,237	1,391	1,527	1,654	1,789	1,930	2,065	2,206	2,360	2,529	2,708	2,895
84"	627	754	899	1,040	1,184	1,344	1,490	1,639	1,780	1,930	2,080	2,221	2,379	2,544	2,717	2,914	3,115
90"	660	801	960	1,115	1,274	1,443	1,597	1,751	1,916	2,065	2,206	2,360	2,529	2,708	2,895	3,096	3,312
96"	693	853	1,026	1,184	1,359	1,532	1,700	1,873	2,038	2,178	2,333	2,497	2,670	2,862	3,064	3,279	3,500
102"	740	899	1,082	1,260	1,443	1,625	1,808	1,991	2,126	2,272	2,436	2,605	2,788	2,984	3,190	3,416	3,650
108"	782	960	1,152	1,344	1,527	1,719	1,916	2,103	2,253	2,408	2,577	2,759	2,946	3,153	3,373	3,607	3,865
114"	824	1,007	1,209	1,420	1,612	1,812	2,019	2,160	2,314	2,478	2,647	2,834	3,036	3,237	3,467	3,711	3,973
120"	862	1,058	1,283	1,485	1,691	1,911	2,132	2,282	2,436	2,609	2,792	2,988	3,199	3,420	3,659		
	single blind				2 blinds on one headrail						3 blinds on one headrail				Not available		

Surcharge Option

DesignLine™ Valance (replacement)	8	14	14	18	23	27	33	37	42	42	51	56	61	65	69	75	79
Transitional Valance*	18	27	33	46	56	65	75	84	88	93	107	122	130	140	149	164	173
Traditional Valance*	27	37	46	61	75	88	103	117	122	130	149	164	177	191	206	219	238

DesignLine™ Valance comes standard at no additional cost.
 *Trim color must be specified. See page 14 for available colors.

Shaded area requires multiple blinds per headrail. To price multiple blinds on a headrail, see price above based on overall width then add appropriate surcharge from below.

FREE OPTIONS*

- DesignLine™ Valance (Standard)
- Cord Tilt Only
- Choice of Control Options
 - Tilter Left, Lift Cord Right (Standard)
 - Tilter Right, Lift Cord Left
- Hold-Down Brackets
- Extension Brackets (2" or 4")
- Extended Valance (Up to 3" Greater than Ordered Width)

* Must be requested at time of the order. See page 14 for details.

SURCHARGE OPTIONS

Valance Upgrades	See Price Grid
2 Blinds per Headrail	\$112
3 Blinds per Headrail	\$145

Textured Blinds

Options and Upgrades

OPTIONS

DesignLine™ Valance

Comes standard on each blind at no charge. Designed to enhance your décor style.



DesignLine Tailored



DesignLine Round

	Height	Depth	Min Return	Max Return	Std Return
DesignLine Valance	3 ¾"	1 ½"	2"	6"	2 ⅝"

Valance returns only available on outside mount blinds. See page 5 for valance return measuring instructions.

Control Positions

Choice of control position is available. Tilter left, lift cord right is the standard position. You may choose to reverse the standard position.

Extended Valance Option

May specify a valance greater than ordered headrail width.

Maximum total valance width is 144". Must be requested at time of order.

Extension Brackets

For installations requiring additional space between the blind and the mounting surface. Must be requested at time of order. Available in 2" or 4" extension.

Hold-down Brackets

Hold-down brackets prevent blinds from swaying. They can be sill mounted, face mounted or mounted inside the frame. Recommended for doors and windows subject to wind exposure. Must be requested at time of order.

UPGRADES



Traditional and Transitional Valances

Add an upscale style to your custom blinds. Available in four finishes to complement your home decor.



Traditional Valance



Transitional Valance

Traditional and Transitional valance trim colors:

	White	Off White	Warm Grey	Chocolate Brown	Height	Depth	Min Return	Max Return	Std Return
Traditional Valance	67171	67172	67173	67175	3 ¾"	1 ¾"	2"	6"	2 ⅝"
Transitional Valance	67271	67272	67273	67275	3 ½"	1 ½"	2"	6"	2 ⅝"

Valance returns only available on outside mount blinds. See page 5 for valance return measuring instructions.

Replacement Valance Option

Request a replacement valance or order an additional valance to coordinate valance profiles between rooms.

Multiple Blinds on One Headrail

Provides the flexibility of raising one blind while keeping the other lowered on extra wide windows. Two or more blinds on one headrail are available up to a total maximum width of 144". Minimum inner space is ½" between blinds. Horizontal slat alignment not guaranteed.



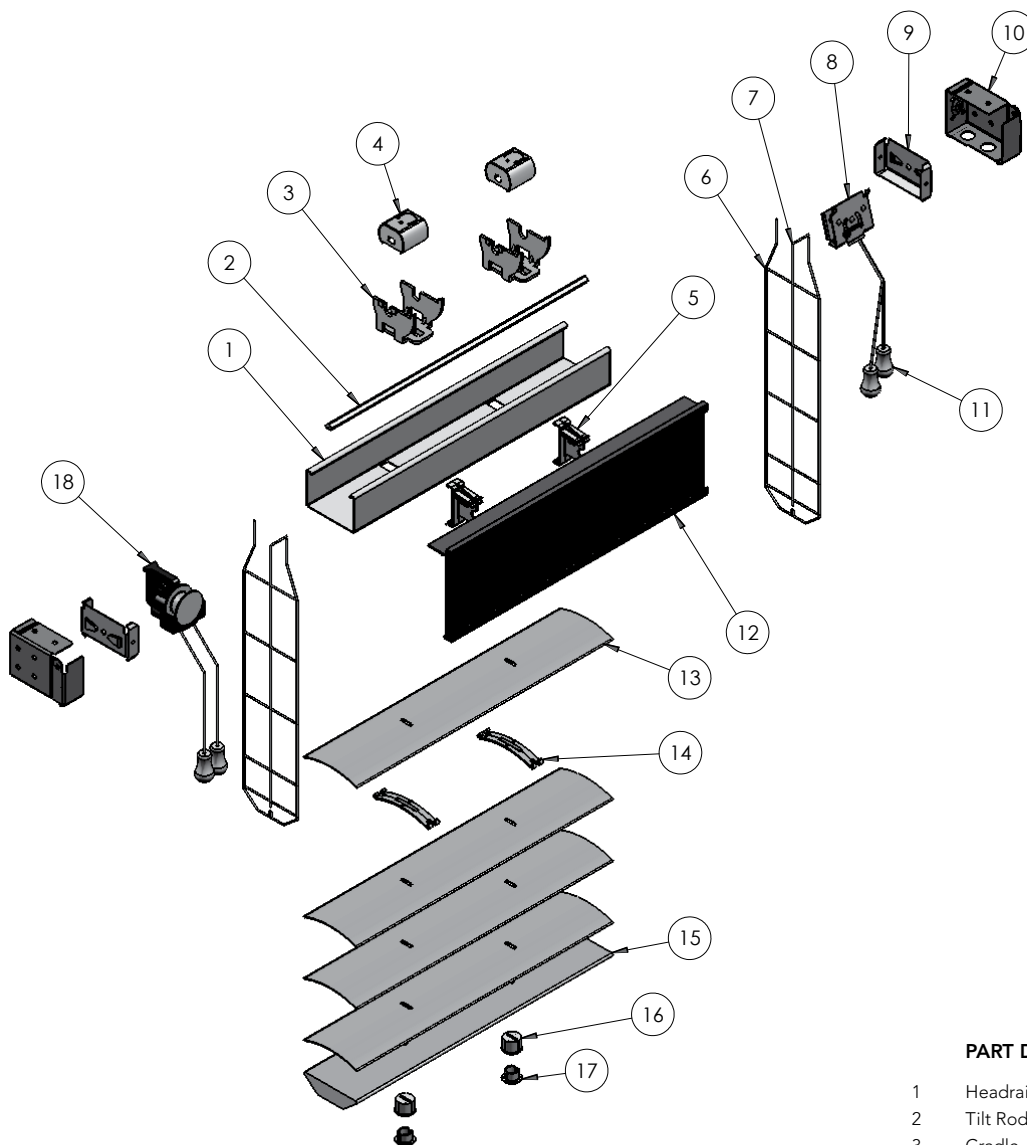
3 Blinds on One Headrail



2 Blinds on One Headrail

Textured Blinds

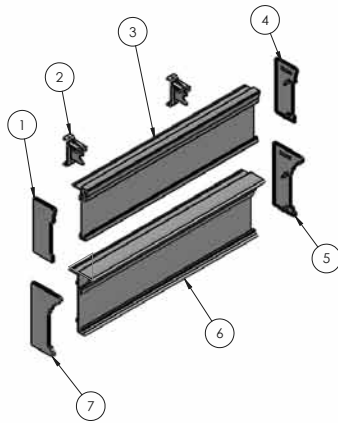
Exploded View



PART DESCRIPTION	PART NUMBER
1 Headrail	F50A0300
2 Tilt Rod	E20P0300
3 Cradle	F13B0000
4 Drum	F13M0000
5 Valance Clip	HFCEP0042
6 Ladder	CL250003
7 Lift Cord	C9800000
8 Cord Lock	F10C0000
9 End Brace	F09U0000
10 Installation Bracket	F01E0200
11 Tassel	HGTS0015
12 Valance - DesignLine™	SG154079
13 Slat	----
14 Slat Clip	HFCEP0043
15 Bottomrail	W19P0108
16 Ladder Cap Retainer	W25B0000
17 Ladder Cap	WB505000
18 Cord Tilter	HTML0019

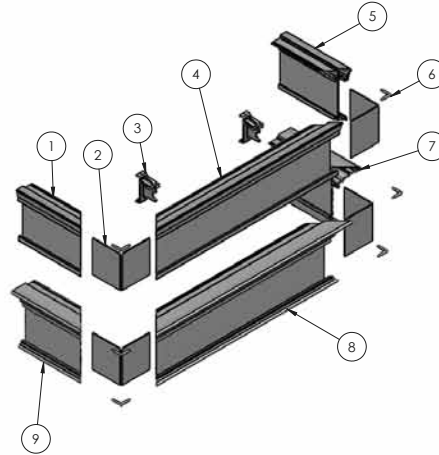
Textured Blinds

Exploded View



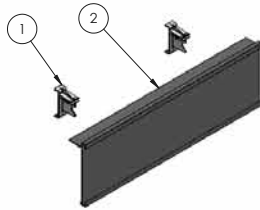
TRADITIONAL/TRANSITIONAL
INSIDE MOUNT

PART DESCRIPTION	PART NUMBER
1 End Cap - Transitional, Left	HGEC0095
2 Valance Clip	HFCP0042
3 Valance - Transitional	SG154038
4 End Cap - Transitional, Right	HGEC0094
5 End Cap - Traditional, Right	HGEC0096
6 Valance - Traditional	SG154040
7 End Cap - Traditional, Left	HGEC0097



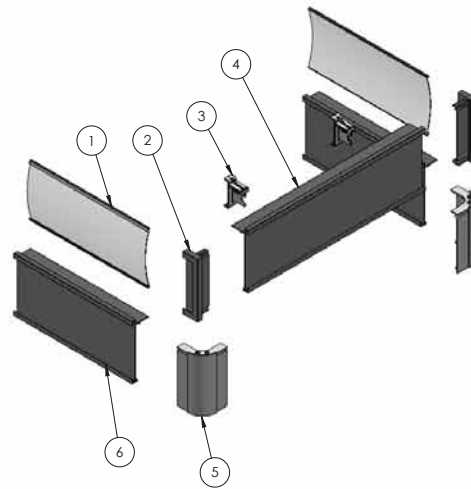
TRADITIONAL/TRANSITIONAL
OUTSIDE MOUNT

PART DESCRIPTION	PART NUMBER
1 Left Return - Transitional	SG154038
2 Corner Brace	HBCK0152
3 Valance Clip	HFCP0042
4 Valance - Transitional	SG154038
5 Right Return - Transitional	SG154038
6 Corner Pin	HFPN0035
7 Right Return - Traditional	SG154040
8 Valance - Traditional	SG154040
9 Left Return - Traditional	SG154040



DESIGNLINE™
INSIDE MOUNT

PART DESCRIPTION	PART NUMBER
1 Valance Clip	HFCP0042
2 Valance - DesignLine™	SG154079



DESIGNLINE™
OUTSIDE MOUNT

PART DESCRIPTION	PART NUMBER
1 Left/Right Return - DesignLine™ Tailored Corner	DK736084
2 Tailored Valance Corner	DPM81961
3 Valance Clip	HFCP0042
4 Valance - DesignLine™	SG154079
5 Round Wrap Valance Corner	DPM81858
6 Left/Right Return - DesignLine™ Round Wrap Corner	SG154079

Textured Blinds

Terms and Conditions

Order Processing

Telephone Orders

Verbal orders are accepted as the dealer's responsibility. Each order will be repeated back by the Customer Service Representative. In certain instances, we may require written orders.

Duplicated Orders

All orders are confirmed after entry into our system. Customer Service is not responsible for duplicate orders caused by a written order following a telephone order or duplicate faxes.

Changes and Cancellations

All products are custom-made to your specifications under tight deadlines. Once production has begun on your order, changes and cancellations cannot be made.

Contract Orders

All Contract Orders must be processed through Contract Customer Service at 1-800-826-8021.

Freight

- Shipments outside the continental U.S. are subject to freight charges.
- Chargeable parts and returns for repair are subject to freight charges.

Pricing and Terms

All prices are subject to change without notice. Until credit is approved, terms are cash with order. Standard terms are Net 30 days from invoice date.

Claims and Returns

Defective Merchandise

All manufacturing defects must be reported to Customer Service within 30 days of receipt of blinds. We may require the return of defective blinds prior to repair or replacement.

Incorrect Merchandise

If any part of your shipment was made incorrectly, please advise Customer Service within 30 days. A replacement will be made at no charge if the problem was due to Kirsch® error. If the problem was due to dealer or customer error, the original order and replacement order will be full charge.

Returns for Repair

Prior to return for repair, contact Customer Service. We will request the order number, date, purchase order number, and type of product. Arrangements for return will be made at that time with directions as to how the blinds should be returned. The package should be marked for easy identification both inside and outside, and should contain a written confirmation of the verbal repair instructions. Repairs should be packaged carefully. Product that has been mishandled or received in poor condition will be returned to the customer.

Chargebacks for unauthorized repairs or additional installation cannot be honored. All returns for repair are subject to freight charges.

Returns for Credit

Returns can be accepted only if prior authorization has been obtained from Customer Service. Authorization will include instructions as to how the merchandise should be returned. Unauthorized returns will be refused.

Freight Damage FedEx/FedEx Ground:

- If freight damage is visible, refuse the shipment. FedEx will inspect the damage and return to the shipping location. Contact Customer Service for further information.
- If freight damage is concealed, retain all packaging materials and contact Customer Service immediately (must be notified within 14 days).

Freight Damage Common Carrier:

- If freight damage is visible, refuse the shipment. The carrier will return the merchandise to the shipping location for inspection. Contact Customer Service for further information.
- If freight damage is concealed, retain all packaging materials and contact Customer Service immediately (must be notified within 14 days).

LIFETIME-LIMITED WARRANTY FOR CUSTOM PRODUCTS

Kirsch® Window Fashions proudly extends a lifetime-limited warranty on the enclosed product to the original residential retail purchaser as long as the product remains in the original window.

<except for unfinished wood cornices, which have no warranty>.

WARRANTY COVERAGE

COVERED

FOR HOW LONG

Entire product against manufacturing defects (i.e., a flaw in the product design, materials or workmanship that causes the product to no longer function) Lifetime

Except: Cords 3 years
Vertical vinyl vanes 3 years
All fabric 5 years

NOT COVERED

Normal wear and tear

Any product that fails due to:

- abuse
- accident
- alterations
- damage from pets/insects
- exposure to salt air
- extraordinary use
- improper cleaning
- improper handling
- improper installation
- improper operation
- misapplication
- misuse

Any product that, with the passage of time, has:

- loss of color intensity
- loss of pleating if product is not held in raised position a portion of the time
- yellowing or cracking of plastic parts or foam wood product

Any motorized product

Natural wood products that have:

- variations in color, grain, or texture
- warping of wood slats in high-humidity areas

Costs associated with:

- product removal
- product remeasure
- product reinstallation
- transportation to and from the retailer
- incidental or consequential damages
- shipping

In the event there are multiple blinds/shades in the same room, only the defective blind/shade will be replaced.

TO REPORT SHIPPING DAMAGE

If damage occurred during shipping, call 1-800-538-6567 and report within 14 calendar days or else you may be denied credit for your damaged product.

TO OBTAIN SERVICE



For online product-specific troubleshooting information, refer to www.Kirsch.com.



If you suspect this Kirsch® Window Fashions product has a manufacturing defect in materials or workmanship:

1. Locate the sales receipt (proof of purchase).
2. Call 1-800-538-6567.

Any unauthorized returns will not be accepted.

WARRANTY REMEDY

THIS SHALL BE YOUR SOLE REMEDY UNDER THIS LIMITED WARRANTY.

If this Kirsch® Window Fashions product is found to have a manufacturing defect in materials or workmanship, we will (at our discretion) do one of the following:

- repair the product
- replace the product
- refund the cost of the product
- Colors vary from lot to lot and may not exactly match sample swatch or previous purchases.
- Discontinued items or color selections will be replaced with the closest equivalent current product.

YOUR RIGHTS UNDER STATE LAW

This lifetime-limited warranty gives you specific legal rights, and you may have other rights, which vary from state to state. Some states do not allow limitations on how long a warranty lasts, so the above limitations may not apply to you.

No agent, representative, dealer, or unauthorized employee has the authority to increase or alter the obligation of this warranty. This lifetime-limited warranty supersedes any previous versions.

SAVE THIS WARRANTY CARD WITH YOUR PROOF OF PURCHASE

Notes

kirsch®



kirsch.com

Kirsch Window Fashions ©2011
3 Glenlake Parkway, Atlanta, GA 30328
1-800-225-1988 • 1-800-545-2325 fax • www.kirsch.com

A ***NewellRubbermaid***™ Brand

R0004211