



Custom
Natural Shades

kirsch®

Suggested Retail Pricing
Effective March 2012



Natural Shades

Table of Contents

Overview

| | |
|-----------------------|-----|
| How to Place an Order | 3 |
| How to Measure | 4 |
| Critical Dimensions | 5–6 |
| Finish Index | 6–7 |
| Light Control Index | 8 |
| Cleaning Guide | 8 |

Pricing

| | |
|---|----|
| Price Group A—Loggia | 9 |
| Price Group B—Bambu Palos | 10 |
| Price Group C—Caribbean Blend, Spice Cove, Heirloom Stripes | 11 |
| Price Group D—Metropolitan, Sunset Key, Serape | 12 |
| Price Group E—Palisades, Woven Sisal, Tranquil Cove | 13 |
| Price Group F—Seaside | 14 |
| Pricing for Upgrades | 15 |

Product Guide

| | |
|---|-------|
| Options and Upgrades | 16–20 |
| Decorative Options | |
| Valance Options | |
| Light Control | |
| Lift Options | |
| Special Brackets | |
| Mitered Shades and Specialty Shapes | |
| How To Make a Template | 21 |
| Exploded View—Standard Natural Shade | 22 |
| Exploded View—Cordless Natural Shade | 23 |
| Exploded View—Continuous Cordloop Natural Shade | 24 |
| Troubleshooting Tips | 25 |
| Terms and Conditions | 26 |
| Lifetime Limited Warranty | 27 |

Natural Shades

How to Place an Order

STEP 1 General Shade Information

Color Number
Color Description

STEP 2 Options and Upgrades

The following options may be available. See individual price page information for detailed availability.

Decorative Options—Scallop, Trim, Edge Binding
Valance Options—No Valance, Wood Valance, Classic Valance
Light Control—No Liner, Light Filtering, Room Darkening
Lift Options—Corded, Continuous Cordloop, Top Down/Bottom Up, Cordless
Special Brackets
Mitered Shades and Specialty Shapes

STEP 3 Mount Type and Shade Measurement

See page 4 for measurement instructions.

Inside or Outside Mount
WIDTH first, then HEIGHT

STEP 4 Quantity of Shades Being Ordered

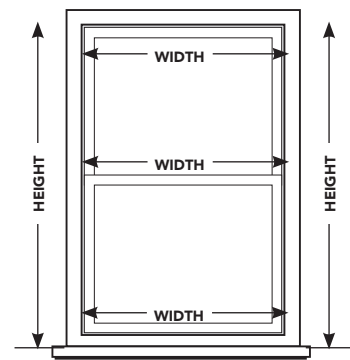
STEP 5 Delivery Information

Indicate ship to address

STEP 6 Purchase Order Number

Natural Shades

How to Measure



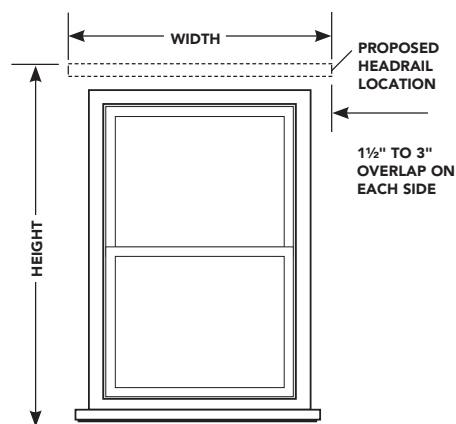
INSIDE MOUNT (IM) INSTALLATION

TO FIND WIDTH

Measure exact distance between inside surfaces of window frame at the top, middle, and bottom, and use the narrowest width. DO NOT MAKE ANY WIDTH DEDUCTIONS. See page 5 for factory deductions.

TO FIND HEIGHT

Measure exact distance from inside surface at top of window to sill. If you prefer shade not to touch sill, deduct ¼". If there is no sill, measure height to point where shade is to reach.



OUTSIDE MOUNT (OM) INSTALLATION

TO FIND WIDTH

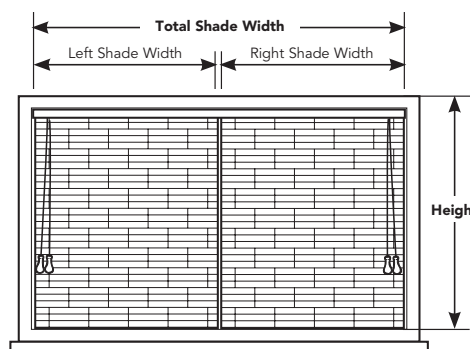
Measure exact distance between the outermost points where the shade is to be placed. This measurement should overlap each side of window frame by at least 1½". See page 5 for factory deductions.

TO FIND HEIGHT

Measure exact distance from where top of shade will be located to top of sill. If there is no sill or if shade is to overlap window frame, measure to point shade is to reach.

1½" TO 3" OVERLAP ON TOP & BOTTOM

How to Measure Multiple Shades on One Headrail



INSIDE MOUNT

- Overall Shade Width—Measure the window's width at the top, middle, and bottom. Order the narrowest measurement.
- Left Shade Width—Measure the width that you want the left shade to cover.
- Right Shade Width—Measure the width that you want the right shade to cover.
- Height—Measure the window from the top to the bottom for the desired height.
- Order the left shade first when placing the order.

NOTE: There will be a ½" gap between the fabric on the left and right shade to allow for shades to operate independently.

OUTSIDE MOUNT

- Overall Shade Width—Measure the desired width.
NOTE: For maximum privacy and window coverage, add an additional 3" to total width of window.
- Left Shade Width—Measure the width that you want the left shade to cover.
- Right Shade Width—Measure the width that you want the right shade to cover.
- Height—Measure the desired height.
NOTE: For maximum privacy and window coverage, add at least 3" to overall height of the window.
- Order the left shade first when placing the order.
NOTE: There will be a ½" gap between the fabric on the left and right shade to allow for shades to operate independently.
NOTE: For standard shades, controls will be located on the left side of the left shade and the right side of the right shade.
NOTE: Fabrics cannot be seamed or overlapped.

NOTES:

- The left shade width plus the right shade width must equal the overall shade width.
- There will be a ½" inner space between the fabric on the left and right shades to allow for shades to operate independently.
- Each shade operates separately.
- Available in all operating systems except Top Down/Bottom Up.
- Horizontal pattern alignment between shades is not guaranteed.
- Must include Classic or Wood Valance.
- A continuous valance up to 96" is available for Classic and Wood Valance; after 96" valance will be spliced.
- Lift control will be located on the outside of each shade.
- Not available with Angle Top, Cathedral or Cutout option.

Natural Shades

Critical Dimensions

| | Standard Corded | Standard Corded TDBU | Cordless | Continuous Cordloop | Separate Shade Valance | Specialty & Mitered Shapes* |
|--|----------------------|----------------------|----------------------|----------------------|------------------------|-----------------------------|
| Headrail Dimensions | 1 1/8" h x 1 7/16" d | 1 1/8" h x 1 7/16" d | 1 1/8" h x 1 7/16" d | 1 1/8" h x 1 7/16" d | 1 1/8" h x 1 7/16" d | 1 1/8" h x 1 7/16" d |
| Headrail Deductions - Inside Mount | 1/2" | 1/2" | 1/2" | 1/2" | N/A | 1/2" |
| Fabric Deductions - Inside Mount w/ 1" Edge Binding | 5/8" | 5/8" | 5/8" | 5/8" | N/A | 5/8" |
| Fabric Deductions - Inside Mount w/ 2" Edge Binding | 3/4" | 3/4" | 3/4" | 3/4" | N/A | 3/4" |
| Fabric Deductions - Inside Mount w/o Edge Binding | 1/2" | 1/2" | 1/2" | 1/2" | 1/2" | 1/2" |
| Headrail Deductions - Outside Mount | 1/2" | 1/2" | 1/2" | 1/2" | 1/2" | 1/2" |
| Fabric Deductions - Outside Mount w/ 1" Edge Binding | 1/8" | 1/8" | 1/8" | 1/8" | N/A | 1/8" |
| Fabric Deductions - Outside Mount w/ 2" Edge Binding | 1/4" | 1/4" | 1/4" | 1/4" | N/A | 1/4" |
| Fabric Deductions - Outside Mount w/o Edge Binding | 0" | 0" | 0" | 0" | 0" | 0" |

Minimum Installation Depth Required

| | Standard Corded | Standard Corded TDBU | Cordless | Continuous Cordloop | Separate Shade Valance | Specialty & Mitered Shapes* |
|--------------------------------|-----------------|----------------------|----------|---------------------|------------------------|-----------------------------|
| Headrail protrudes from window | 3/4" | 3/4" | 3/4" | 3/4" | 3/4" | 3/4" |
| Headrail flush with window | 2" | 2" | 2" | 2" | 2" | 2" |
| Valance Standard Height | 6" | 6" | 6" | 6" | 6" | 6" |
| Minimum Valance Height | 6" | 6" | 6" | 6" | 6" | 6" |
| Maximum Valance Height | 30" | 30" | 30" | 30" | 30" | 30" |

Single Shade

| | Standard Corded | Standard Corded TDBU | Cordless | Continuous Cordloop | Separate Shade Valance | Specialty & Mitered Shapes* |
|----------------|-----------------|----------------------|----------|---------------------|------------------------|-----------------------------|
| Minimum Width | 10" | 16" | 18"*** | 21" | 6" | 10"† |
| Maximum Width | 96" | 66" | 72" | 96"*** | 96" | 96"† |
| Minimum Height | 12" | 12" | 24"*** | 18" | 6" | 12"† |
| Maximum Height | 120" | 84" | 72" | 96"*** | 30" | 96"† |

2 on 1 Headrail

| | Standard Corded | Standard Corded TDBU | Cordless | Continuous Cordloop | Separate Shade Valance | Specialty & Mitered Shapes* |
|----------------|-----------------|----------------------|-------------|---------------------|------------------------|-----------------------------|
| Minimum Width | 21" | N/A | 36 1/2"**** | 42" | N/A | N/A |
| Maximum Width | 144" | N/A | 144" | 144" | N/A | N/A |
| Minimum Height | 18" | N/A | 24"**** | 18" | N/A | N/A |
| Maximum Height | 120" | N/A | 72" | 96"†† | N/A | N/A |

* Specialty Shapes = Arch & Angle Top ** If Width is < 22," Height must be >= 36"

*** See Price Chart **** If Width is < 44 1/2," Height must be >= 36"

† For Mitered Shades, width and height depend on operating system; maximum height of Angle Top shades is 120."

†† See page 18 for specific Minimum/Maximum Width/Height information.

| WIDTH | up to 30" | 37" | 40" | 41" | 49" | 50" | 60" | 63" | 77" | 96" | 100" | 122" | 144" |
|---|-----------|-----|-----|-----|-----|-----|-----|-----|-----|-----|---------|---------|---------|
| Quantity of Cords - Corded Top Down/Bottom Up | 2 | 2 | 2 | 3 | 3 | 3 | 4 | 5 | 5 | 5 | VARIOUS | VARIOUS | VARIOUS |
| Quantity of Cords - Cordless | 2 | 2 | 4 | 4 | 4 | 4 | 4 | 4 | 6 | 6 | VARIOUS | VARIOUS | VARIOUS |
| Quantity of Cords - Continuous Cordloop | 2 | 3 | 3 | 3 | 3 | 4 | 4 | 5 | 5 | 5 | VARIOUS | VARIOUS | VARIOUS |
| Quantity of Installation Brackets | 2 | 2 | 2 | 2 | 2 | 3 | 3 | 3 | 3 | 3 | 4 | 4 | 5 |

NOTE: Standard Cord length is 2/3 length of the shade. Available in any custom length 0"–144."

Natural Shades

Critical Dimensions

This chart represents the amount of shade that is gathered at the top of the window when fully raised. The measurements in this chart include the stack of the fabric, the headrail and the bottomrail.

How to Use the Chart:

1. Find Lift Option
2. Look to right to find stack height for specific shade height

STACKING CHART

| | Height | | | | | | | |
|--|--------|-----|------|------|------|------|------|------|
| | 36" | 48" | 60" | 72" | 84" | 96" | 108" | 120" |
| Corded, Cordless, Continuous Cordloop | 8" | 9" | 10" | 11" | 12" | 12½" | 13½" | 14½" |
| Corded Top Down/Bottom Up | 8½" | 9½" | 10½" | 11½" | 12½" | 13" | 14" | 15" |

NOTE: Stacking dimensions are approximate and could vary ± 1."

Finish Index

Price Group A

| | COLOR # | | | WOOD VALANCE FINISH | LINER COLOR |
|--------------------------|----------|-----------------|----------------|---------------------|-------------|
| | NO LINER | LIGHT FILTERING | ROOM DARKENING | | |
| Loggia Collection | | | | | |
| Dune | 50281915 | 51281915 | 52281915 | Natural Grain | Camel |
| Cocoa | 50281916 | 51281916 | 52281916 | Noble Chestnut | Brown |

Price Group B

| | COLOR # | | | WOOD VALANCE FINISH | LINER COLOR |
|-------------------------------|----------|-----------------|----------------|---------------------|-------------|
| | NO LINER | LIGHT FILTERING | ROOM DARKENING | | |
| Bambu Palos Collection | | | | | |
| Dune | 50281911 | 51281911 | 52281911 | Colonial Oak | Camel |
| Cocoa | 50281912 | 51281912 | 52281912 | Noble Chestnut | Brown |

Price Group C

| | COLOR # | | | WOOD VALANCE FINISH | LINER COLOR |
|------------------------------------|----------|-----------------|----------------|---------------------|-------------|
| | NO LINER | LIGHT FILTERING | ROOM DARKENING | | |
| Caribbean Blend Collection | | | | | |
| Cinnabar | 50281959 | 51281959 | 52281959 | Colonial Oak | Camel |
| Sumatra | 50281960 | 51281960 | 52281960 | Noble Chestnut | Brown |
| Java | 50281961 | 51281961 | 52281961 | Colonial Oak | Camel |
| Dominica | 50281754 | 51281754 | 52281754 | Natural Grain | Camel |
| Spice Cove Collection | | | | | |
| Nutmeg | 50281970 | 51281970 | 52281970 | Colonial Oak | Camel |
| Hazelnut | 50281971 | 51281971 | 52281971 | Noble Chestnut | Brown |
| Ginger | 50281750 | 51281750 | 52281750 | Natural Grain | Camel |
| Heirloom Stripes Collection | | | | | |
| Camel | 50281919 | 51281919 | 52281919 | Noble Chestnut | Brown |
| Moss | 50281920 | 51281920 | 52281920 | Gray | Camel |
| Umber | 50281708 | 51281708 | 52281708 | Basic Black | Charcoal |
| Olive | 50281759 | 51281759 | 52281759 | Natural Grain | Camel |

Natural Shades

Finish Index

Price Group D

| | COLOR # | | | WOOD VALANCE FINISH | LINER COLOR |
|--------------------------------|----------|-----------------|----------------|---------------------|-------------|
| | NO LINER | LIGHT FILTERING | ROOM DARKENING | | |
| Metropolitan Collection | | | | | |
| Camel | 50281925 | 51281925 | 52281925 | Natural Grain | Camel |
| Roast | 50281924 | 51281924 | 52281924 | Noble Chestnut | Brown |
| Midnight | 50281923 | 51281923 | 52281923 | Basic Black | Charcoal |
| Serape Collection | | | | | |
| Dune | 50282913 | 51282913 | 52282913 | Noble Chestnut | Brown |
| Sunset Key Collection | | | | | |
| Dune | 50281918 | 51281918 | 52281918 | Natural Grain | Camel |

Price Group E

| | COLOR # | | | WOOD VALANCE FINISH | LINER COLOR |
|---------------------------------|----------|-----------------|----------------|---------------------|-------------|
| | NO LINER | LIGHT FILTERING | ROOM DARKENING | | |
| Palisades Collection | | | | | |
| Steel | 50281917 | 51281917 | 52281917 | Gray | Camel |
| Tranquil Cove Collection | | | | | |
| Coffee | 50281913 | 51281913 | 52281913 | Noble Chestnut | Brown |
| Steel | 50281914 | 51281914 | 52281914 | Gray | Camel |
| Woven Sisal Collection | | | | | |
| Mulberry | 50281927 | 51281927 | 52281927 | Noble Chestnut | Brown |
| Rye Grass | 50281926 | 51281926 | 52281926 | Colonial Oak | Camel |
| Rice Straw | 50281928 | 51281928 | 52281928 | Natural Grain | Camel |

Price Group F

| | COLOR # | | | WOOD VALANCE FINISH | LINER COLOR |
|---------------------------|----------|-----------------|----------------|---------------------|-------------|
| | NO LINER | LIGHT FILTERING | ROOM DARKENING | | |
| Seaside Collection | | | | | |
| Biscuit | 50281922 | 51281922 | 52281922 | Natural Grain | Camel |

The listed Liner Colors are recommendations for color coordination. Customers may choose from any of the four available colors in Light Filtering or Room Darkening, but if a color is not specified the system will default to the color listed above. All liners are neutral to the street, and the liner color will be facing to the fabric.

The listed Wood Valance Finishes are recommendations for color coordination. Customers may choose from any of the five available finishes, but if a finish is not specified the system will default to the color listed above.

| LINER COLORS | | |
|--------------|-----------------|----------------|
| | LIGHT FILTERING | ROOM DARKENING |
| Brown | 07003 | 07006 |
| Camel | 07002 | 07005 |
| Charcoal | 07004 | 07008 |
| White | 80001 | 80012 |

| EDGE BINDING COLORS* | | | |
|----------------------|-------|------------------|-------|
| Black | 04106 | Sand | 04113 |
| Chestnut | 04103 | Taupe | 04114 |
| Cocoa | 04104 | White | 04111 |
| Crimson | 04115 | Wilmington Sand | 04116 |
| Gray | 50004 | Wilmington Taupe | 04117 |
| Moss | 04112 | | |

*Customer must specify 1" or 2" Edge Binding when ordering.
NOTE: It is recommended to use 1" Edge Binding for window widths less than 36" and 2" Edge Binding for window widths greater than 36."

| WOOD VALANCE FINISHES | |
|-----------------------|-------|
| Basic Black | 02884 |
| Noble Chestnut | 02777 |
| Colonial Oak | 02771 |
| Gray | 50004 |
| Natural Grain | 02798 |

| TRIM COLORS | |
|-------------|-------|
| Camel | 89828 |
| Chestnut | 89825 |
| Natural | 89821 |
| Warm Gray | 50004 |
| White | 89822 |

Natural Shades

Light Control Index

Each collection is rated for light control. This convenient indicator can be found next to the available colors grid on each pricing page.



Cleaning Guide

Care Instructions

Periodically vacuum with a brush attachment to ensure lasting beauty. With proper care and maintenance, Natural Shades should last for years. Do not use water, solvents, or abrasive solutions to clean the shade.

Color Variation

Kirsch Natural Shades are created using natural products. By nature, no two strands of grass, bamboo or reeds are exactly the same, making every shade truly unique. Slight color, grain and texture variations should be expected and cherished for their unique beauty.

Stretching and Shrinking

Natural woven fabric will be affected by temperature and humidity. Shipping and handling may cause a slight change in shade lengths, and slight shrinkage, stretching and warping may occur over time.

NOTE: Material stretching may be more noticeable on inside mounts.

Natural Shades

Price Group A Loggia Collection

| PRICE GROUP A | | | | | | | | | | | | | | |
|-------------------------------|----------|-----|-----|-----|-----|-----|------|------|------|------------------------|--|------|------|------|
| HEIGHT TO | WIDTH TO | | | | | | | | | | | | | |
| | 16" | 24" | 31" | 36" | 42" | 48" | 60" | 72" | 84" | 96" | 108" | 120" | 132" | 144" |
| 36" | 181 | 230 | 268 | 321 | 348 | 374 | 427 | 557 | 616 | 666 | 719 | 772 | 825 | 878 |
| 42" | 208 | 243 | 287 | 348 | 379 | 410 | 466 | 616 | 669 | 731 | 793 | 859 | 917 | 980 |
| 48" | 230 | 270 | 308 | 374 | 410 | 442 | 514 | 666 | 731 | 803 | 871 | 946 | 1018 | 1086 |
| 54" | 249 | 292 | 321 | 401 | 439 | 480 | 557 | 712 | 793 | 871 | 946 | 1023 | 1098 | 1173 |
| 60" | 258 | 308 | 345 | 427 | 466 | 514 | 598 | 772 | 859 | 936 | 1014 | 1091 | 1173 | 1250 |
| 66" | 270 | 321 | 364 | 458 | 497 | 548 | 637 | 818 | 915 | 1008 | 1098 | 1192 | 1281 | 1375 |
| 72" | 289 | 340 | 386 | 480 | 529 | 579 | 685 | 871 | 977 | 1076 | 1176 | 1279 | 1381 | 1481 |
| 78" | 299 | 352 | 401 | 504 | 557 | 616 | 724 | 924 | 1039 | 1148 | 1260 | 1368 | 1481 | 1590 |
| 84" | 308 | 370 | 420 | 529 | 588 | 650 | 772 | 977 | 1095 | 1216 | 1341 | 1462 | 1586 | 1704 |
| 90" | 333 | 386 | 439 | 557 | 619 | 685 | 815 | 1023 | 1158 | 1281 | 1409 | 1534 | 1661 | 1786 |
| 96" | 340 | 398 | 461 | 579 | 650 | 722 | 859 | 1076 | 1216 | 1353 | 1491 | 1624 | 1757 | 1897 |
| 102" | 361 | 417 | 480 | 610 | 681 | 756 | 905 | 1129 | 1279 | 1421 | 1564 | 1708 | 1851 | 1994 |
| 108" | 370 | 435 | 501 | 637 | 712 | 787 | 951 | 1182 | 1334 | 1493 | 1646 | 1801 | 1954 | 2109 |
| 114" | 389 | 451 | 523 | 669 | 741 | 825 | 1002 | 1238 | 1400 | 1561 | 1723 | 1885 | 2047 | 2208 |
| 120" | 405 | 466 | 541 | 697 | 772 | 859 | 1045 | 1288 | 1459 | 1629 | 1801 | 1972 | 2143 | 2314 |
| SINGLE SHADE | | | | | | | | | | 2 SHADES ON 1 HEADRAIL | | | | |
| SURCHARGE OPTIONS | | | | | | | | | | | | | | |
| Light Filtering Privacy Liner | 94 | 94 | 94 | 99 | 99 | 103 | 105 | 105 | 111 | 111 | 114 | 114 | 117 | 120 |
| Room Darkening Privacy Liner | 122 | 122 | 122 | 126 | 126 | 131 | 135 | 137 | 140 | 143 | 146 | 152 | 158 | 161 |
| Cordless | 140 | | | | 198 | | | | 286 | | | | | |
| Continuous Cordloop | 111 | | | | | | | | | | Multiply surcharge by the number of panels | | | |
| Top Down/Bottom Up* | 106 | | | | | | | N/A | | | | | | |

Cordless single shade available (includes Standard and Top Down/Bottom Up).

Cordless and Continuous Cordloop single shade available.

Cordless, Continuous Cordloop and Cordless single shade available.

2 on 1 Headrail—Required in shaded area.

*Only available with Classic Valance or Wood Valance.

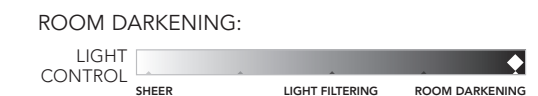
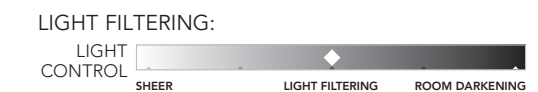
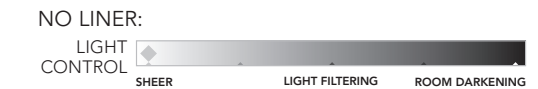
N/A = not available

NOTE: See page 5 for Minimum/Maximum Width/Height information.

| FREE OPTIONS Must be requested at time of order. | |
|--|--|
| No Valance | |
| Wood Valance | |
| Classic Valance | |
| Pull Cord (left or right) | |
| Custom Cord Length (standard corded or continuous cordloop) | |
| Hold-Down Brackets (outside mount only) | |
| Projection Brackets | |
| Cord Cleats | |

| ADDITIONAL SURCHARGE OPTIONS | |
|--|--------------|
| 2 on 1 Headrail | \$71 |
| Cutout (Center and Side Cutouts; maximum 2 cuts per shade) | \$75 Per Cut |
| Mitered Shades | \$47 |
| Edge Binding (1" or 2") | \$205 |

| AVAILABLE COLORS | | | |
|------------------|----------|-----------------|----------------|
| | NO LINER | LIGHT FILTERING | ROOM DARKENING |
| Dune | 50281915 | 51281915 | 52281915 |
| Cocoa | 50281916 | 51281916 | 52281916 |



Natural Shades

Price Group F Seaside Collection

| PRICE GROUP F | | | | | | | | | | | | | | |
|-------------------------------|----------|------|------|------|------|------|------|------|------|------------------------|--|------|------|------|
| HEIGHT TO | WIDTH TO | | | | | | | | | | | | | |
| | 16" | 24" | 31" | 36" | 42" | 48" | 60" | 72" | 84" | 96" | 108" | 120" | 132" | 144" |
| 36" | 306 | 423 | 551 | 654 | 729 | 789 | 931 | 1191 | 1322 | 1457 | 1585 | 1720 | 1852 | 1980 |
| 42" | 363 | 487 | 608 | 729 | 803 | 885 | 1038 | 1322 | 1486 | 1642 | 1802 | 1959 | 2119 | 2275 |
| 48" | 416 | 530 | 654 | 789 | 885 | 974 | 1152 | 1457 | 1642 | 1827 | 2008 | 2197 | 2378 | 2559 |
| 54" | 455 | 594 | 707 | 860 | 963 | 1070 | 1273 | 1592 | 1802 | 2005 | 2204 | 2403 | 2605 | 2808 |
| 60" | 487 | 633 | 761 | 931 | 1038 | 1152 | 1383 | 1731 | 1962 | 2186 | 2410 | 2634 | 2858 | 3078 |
| 66" | 508 | 675 | 814 | 992 | 1123 | 1244 | 1500 | 1873 | 2119 | 2367 | 2616 | 2865 | 3114 | 3366 |
| 72" | 526 | 711 | 867 | 1070 | 1201 | 1337 | 1610 | 2005 | 2278 | 2549 | 2819 | 3089 | 3359 | 3626 |
| 78" | 565 | 754 | 924 | 1134 | 1273 | 1432 | 1724 | 2136 | 2442 | 2733 | 3032 | 3324 | 3622 | 3914 |
| 84" | 604 | 796 | 974 | 1201 | 1358 | 1514 | 1838 | 2278 | 2595 | 2908 | 3228 | 3547 | 3864 | 4184 |
| 90" | 622 | 839 | 1031 | 1273 | 1432 | 1610 | 1955 | 2410 | 2755 | 3096 | 3437 | 3782 | 4123 | 4465 |
| 96" | 650 | 874 | 1084 | 1337 | 1514 | 1696 | 2062 | 2549 | 2908 | 3274 | 3640 | 4006 | 4369 | 4735 |
| 102" | 682 | 921 | 1134 | 1408 | 1592 | 1788 | 2175 | 2680 | 3068 | 3451 | 3839 | 4226 | 4610 | 4994 |
| 108" | 704 | 963 | 1184 | 1479 | 1674 | 1880 | 2289 | 2808 | 3235 | 3636 | 4034 | 4440 | 4841 | 5247 |
| 114" | 743 | 1009 | 1233 | 1553 | 1756 | 1966 | 2399 | 2940 | 3387 | 3814 | 4237 | 4660 | 5083 | 5502 |
| 120" | 789 | 1049 | 1287 | 1621 | 1838 | 2058 | 2513 | 3075 | 3547 | 3992 | 4429 | 4873 | 5314 | 5755 |
| SINGLE SHADE | | | | | | | | | | 2 SHADES ON 1 HEADRAIL | | | | |
| SURCHARGE OPTIONS | | | | | | | | | | | | | | |
| Light Filtering Privacy Liner | 94 | 94 | 94 | 99 | 99 | 103 | 105 | 105 | 111 | 111 | 114 | 114 | 117 | 120 |
| Room Darkening Privacy Liner | 122 | 122 | 122 | 126 | 126 | 131 | 135 | 137 | 140 | 143 | 146 | 152 | 158 | 161 |
| Cordless | 140 | | | | | 198 | | | | | 286 | | | |
| Continuous Cordloop | 111 | | | | | | | | | | Multiply surcharge by the number of panels | | | |
| Top Down/Bottom Up* | 106 | | | | | | | N/A | | | | | | |

Cordless single shade available (includes Standard and Top Down/Bottom Up).

Cordless and Continuous Cordloop single shade available.

Cordless, Continuous Cordloop and Cordless single shade available.

2 on 1 Headrail—Required in shaded area.

*Only available with Classic Valance or Wood Valance.

N/A = not available

NOTE: See page 5 for Minimum/Maximum Width/Height information.

| FREE OPTIONS Must be requested at time of order. | |
|--|--|
| No Valance | |
| Wood Valance | |
| Classic Valance | |
| Pull Cord (left or right) | |
| Custom Cord Length (standard corded or continuous cordloop) | |
| Hold-Down Brackets (outside mount only) | |
| Projection Brackets | |
| Cord Cleats | |

| ADDITIONAL SURCHARGE OPTIONS | |
|--|--------------|
| 2 on 1 Headrail | \$71 |
| Cutout (Center and Side Cutouts; maximum 2 cuts per shade) | \$75 Per Cut |
| Mitered Shades | \$47 |
| Edge Binding (1" or 2") | \$205 |

| AVAILABLE COLORS—SEASIDE COLLECTION | | | |
|-------------------------------------|----------|-----------------|----------------|
| | NO LINER | LIGHT FILTERING | ROOM DARKENING |
| Biscuit | 50281922 | 51281922 | 52281922 |

NO LINER:



LIGHT FILTERING:



ROOM DARKENING:



Natural Shades

Pricing for Upgrades

SCALLOP DESIGNS AND TRIMS FOR CLASSIC VALANCES AND SKIRTS

| Scallop | Width To | | | | | | | | | | | | | |
|---------|----------|-----|-----|-----|-----|-----|-----|-----|-----|-----|------|------|------|------|
| | 16" | 24" | 31" | 36" | 42" | 48" | 60" | 72" | 84" | 96" | 108" | 120" | 132" | 144" |
| | 34 | 37 | 46 | 56 | 63 | 64 | 75 | 84 | 100 | 106 | 111 | 116 | 121 | 127 |

NOTE: Only available with Classic Valance.

ADDITIONAL VALANCE HEIGHT

| Additional Valance Height | Width To | | | | | | | | | | | | | |
|---------------------------|----------|-----|-----|-----|-----|-----|-----|-----|-----|-----|------|------|------|------|
| | 16" | 24" | 31" | 36" | 42" | 48" | 60" | 72" | 84" | 96" | 108" | 120" | 132" | 144" |
| | 31 | 35 | 40 | 56 | 63 | 64 | 78 | 86 | 100 | 111 | 121 | 132 | 143 | 154 |

NOTE: Only available with Classic Valance.

SEPARATE SHADE VALANCE

| Separate Shade Valance | Width To | | | | | | | | | |
|------------------------|----------|-----|-----|-----|-----|-----|-----|-----|-----|-----|
| | 16" | 24" | 31" | 36" | 42" | 48" | 60" | 72" | 84" | 96" |
| | 90 | 100 | 111 | 129 | 151 | 169 | 203 | 252 | 278 | 319 |

NOTE: Only available with Classic Valance.

CATHEDRAL (ARCH) AND ANGLE TOP

| | Width To | | | | | |
|-----------|----------|-----|-----|-----|-----|-----|
| | 16" | 48" | 60" | 72" | 84" | 96" |
| Cathedral | 252 | 275 | 311 | 352 | 376 | 423 |
| Angle Top | 129 | 149 | 165 | 178 | 186 | 205 |

NOTE: Only available with Classic Valance.

Natural Shades

Options and Upgrades

DECORATIVE OPTIONS

Scallops and Trims

The following scallops and/or trims are available on the Classic Valance or skirt (bottom) of the shade.

SCALLOPS

Scallops can be finished on the Classic Valance and/or the skirt of a shade. Cordless shades can be finished with a scallop only on the Classic Valance. Shades with a Wood or No Valance can be finished with a scallop only on the skirt of the shade. All scallop designs will be proportioned to shade width. When ordering shades of varying widths to go side by side or in the same room, specify this so that they can be proportioned alike.

Inside Mount

Scallops are cut out of the skirt and will let light in.

Outside Mount

If cut-out scallop trim is desired for the skirt, shades should be measured to drop at least 6" below the window opening.



TRIMS

Please visit Kirsch.com for additional information and photography of trim colors.

NOTES:

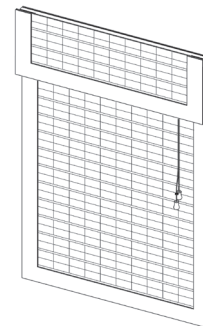
- Scallop must have trim. Please select coordinating trim color.
- Only available with shade width ≥ 26 "
- Skirt scallop not available with Cordless option.
- Valances with scallop or trim will be 6 1/2" in height.
- Not available with Edge Binding.
- Available as single shade only.
- No bottom bar available with skirt scallop.

Edge Binding

Edge Binding is a decorative fabric accent, available in both solids and patterns, that complements home decor and provides a truly finished look. It is recommended to use 1" edge binding for window widths less than 36" and 2" edge binding for window widths greater than 36."

NOTES:

- Only available if shade width is >16 "
- Available with Classic, Wood or No Valance.
- For Cordless shades, Edge Binding will only be applied down the sides of the shade and Classic Valance (if selected).
- Not available on Angle Top, Cathedral or Scallops.
- No Bottom Bar or Hold-Down Brackets available.
- Not available on Separate Shade Valance.



VALANCE OPTIONS



NO VALANCE

Provides a clean look. Fabric is one panel and begins at the top of the window. Available on single shades with Cordless control and Continuous Cordloop options.



WOOD VALANCE

Coordinates to the Kirsch Custom Wood collection. Available on single and multiple shades per headrail, on all Standard Corded, Cordless and Continuous Cordloop shades.



CLASSIC VALANCE

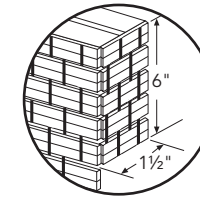
Offers a more traditional look. Available on single and multiple shades per headrail, on all Standard Corded, Corded Top Down/Bottom Up, Cordless and Continuous Cordloop shades.

NOTE: Minimum/standard valance height is 6"; maximum height is 30."

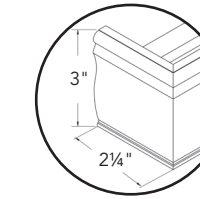
Natural Shades

Options and Upgrades

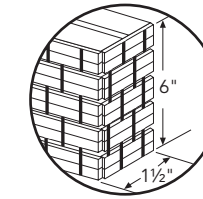
VALANCE RETURN OPTIONS



No Valance



Wood Valance



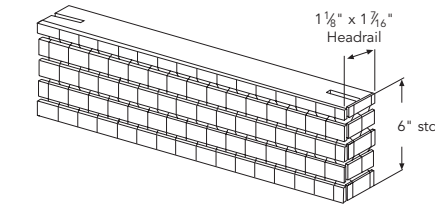
Classic Valance

SEPARATE SHADE VALANCE

A separate shade valance can be used either alone or to complement cloth draperies, wood blinds, or any window treatment.

PRODUCT DIMENSIONS

- Minimum Width 6"
- Minimum Height 6"
- Maximum Width 96"
- Maximum Height 30"
- Standard Height 6"



NOTE: Factory will take 1/2" allowance on inside mount.

NOTE: Separate shade valance is not available with Edge Binding, Scallops or Trim. Available as Classic Valance only.

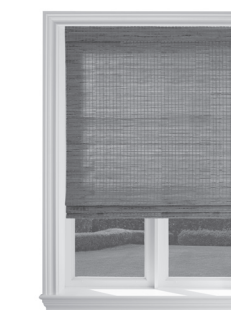
LIGHT CONTROL OPTIONS

Each liner is available in four colors; all are neutral to the street for a uniform appearance across the home. See pages 6-7 for a list of coordinating liner colors. If customer does not specify at time of order, shade will be made with listed liner color. Liners wider than 54" will be vertically seamed. Cords are visible on the back of the shade. Liners not available on Angle Tops, Cathedrals or Cutouts.



NO LINER

Allows the maximum amount of light to enter the room. Ideal for any room where light is desired to stream in freely.



LIGHT FILTERING LINER

Softly filters light and provides privacy. Ideal for any room where filtered light and soft illumination are desired, such as a living room or dining room.



ROOM DARKENING LINER

Offers the ultimate in light blocking and privacy, with added insulation. Ideal for rooms where optimal darkness is desired, such as a bedroom, nursery, or media room.

kirsch

Effective 3/2012

16

kirsch.com

Phone 1.800.225.1988

Fax 1.800.545.2325

kirsch

Effective 3/2012

17

kirsch.com

Phone 1.800.225.1988

Fax 1.800.545.2325

Natural Shades

Options and Upgrades

LIFT OPTIONS

Continuous Cordloop

- Perfect for large windows
- Eliminates dangling cords
- Cords remain at the same position regardless of shade position

NOTE: See each price grid for single shade width restrictions.

Top Down/Bottom Up

- The shade can be lowered from the top and raised from the bottom
- Separate controls on each side of the shade control the rails independently
- The shade is measured in the same way as a standard shade
- Only available with Classic Valance or Wood Valance
- See each price grid for specific width and height limitations

NOTE: Right controls lift from bottom; left controls lower from top. Control positions cannot be changed.

NOTE: Not available with 2 on 1 headrail.

NOTE: Not available with Continuous Cordloop or Cordless option.

Cordless

- Offers a clean, finished profile across all your windows without dangling cords
- See each price grid for specific width and height limitations

NOTE: All shades are shipped with a bottomrail handle for operation.

NOTE: Cordless shades need to be operated daily.

Continuous Cordloop 2 on 1 Headrail Dimensions

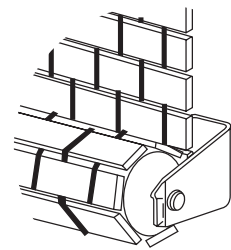
| | Width To 108" | 120" | 132" | 144" |
|----------------|------------------|------|------|------|
| Maximum Height | 96" | 84" | 78" | 72" |

SPECIAL BRACKETS

Must be requested at time of ordering.

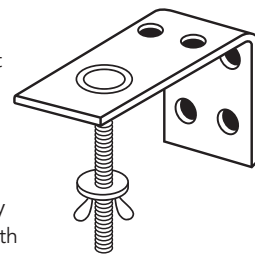
HOLD-DOWN BRACKETS

Hold-Down Brackets are available for securing the bottomrail in position. These brackets can stop a shade from bouncing and loosely swinging if the shade is hung on a door. Available only on outside mount. Not available with Projection Brackets.



PROJECTION BRACKETS

Projection Brackets are available for outside mount shades. When the shade must operate around an obstruction, these brackets project the shade away from the wall, allowing easy operation. Not available with Hold-Down Brackets.



CORD CLEAT

Use with corded product to anchor cords neatly to the wall.

Natural Shades

Specialty Options

MITERED SHADES

MEASURING INSIDE MOUNT

1. If the valance is to be flush with the front of the opening, measure the front width of the window opening and add 1 5/8" for the width of each shade. This will be the shade size. The factory will automatically take an allowance of 1/4" off each shade for clearance, unless you specify otherwise.

2. To measure height, use standard inside measuring procedures.

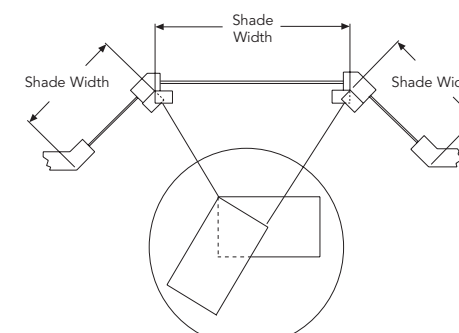
MEASURING OUTSIDE MOUNT/CEILING MOUNT

1. Shade widths are obtained by measuring from the corner to a point approximately 1 1/2" beyond window opening or frame.

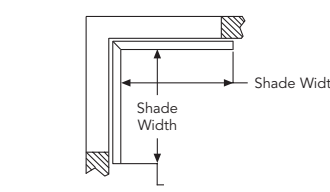
2. To measure height, use standard outside measuring procedures.

NOTES:

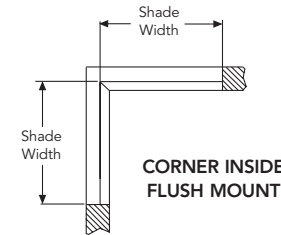
- Must choose Wood or Classic valance.
- Mitered shades cannot be raised to the same level.
- Horizontal pattern alignment between shades cannot be guaranteed.
- Pull cords can be on the right or left side of each shade. Locating cords opposite to the miter is recommended.
- Cannot have Cutouts, Cathedral or Angle Top.
- Not available with Top Down/Bottom Up.
- Cannot be side-by-side option.
- Template required.



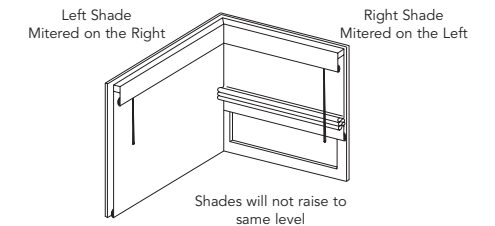
TEMPLATE FOR MITERED ANGLE



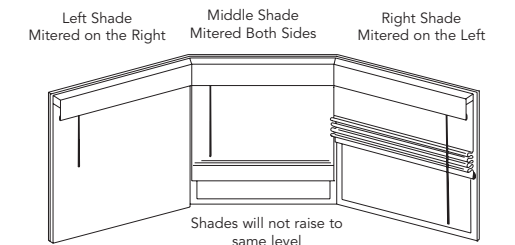
CORNER OUTSIDE OR
CEILING MOUNT



CORNER INSIDE
FLUSH MOUNT



MITERED SHADES ON CORNERED WINDOWS



MITERED SHADES ON BAY WINDOWS

CUTOUTS

Allows access to air conditioners, window cranks, etc. Center and side cutouts are available. A diagram is required showing location and size of cutout on the shade.

NOTE: Not available with a liner, Cordless lift option, or 2 shades on 1 headrail.

Natural Shades

Specialty Options

CATHEDRAL (ARCH) TOP

MEASURING INSIDE MOUNT

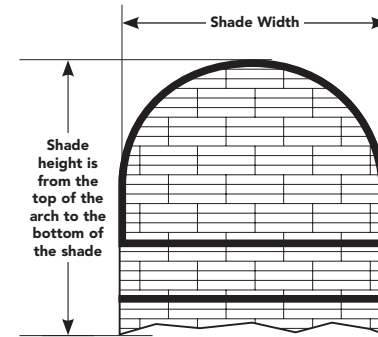
1. Measure width of window opening at three different places and use narrowest dimension for ordering. The factory will automatically take an allowance of 1/2" unless you specify otherwise.
2. For height, measure from the highest point on the arch to the top of sill. Factory does not take any allowances on height.
3. Template required.

MEASURING OUTSIDE MOUNT

1. Measure exact width and height of area to be covered. It is recommended that shades overlap the window frame or opening by 1 1/2" on each side for a total overlap of 3".
2. Template required.

NOTES:

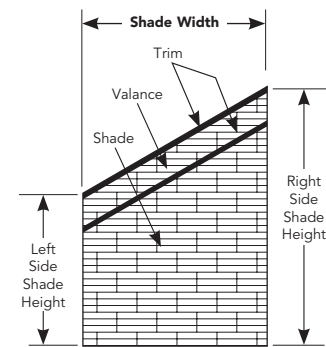
- Product must have trim. Please select coordinating trim color.
- If width \geq 48," maximum drop is 48."
- Available on Classic Valance shade only.
- Available on single shade only.
- Liner option not available.
- Standard Arch does not raise or lower.
- Not available with Top Down/Bottom Up option.
- Not available with Edge Binding.



ANGLE TOP

Measuring Inside Mount

1. Measure width of window opening at 3 different places and use narrowest dimension for ordering. The factory will automatically take an allowance of 1/2" unless you specify otherwise.
2. Measure height of opening on left side from top of opening to top of sill. Mark this dimension "left" on order form. Factory does not take any allowances on height.
3. Measure height of opening on right side from top of opening to top of sill. Mark this dimension "right" on order form. Factory does not take any allowances on height.
4. Factory will determine the angle from these dimensions.



ANGLE VALANCE SHADE

Measuring Outside Mount

1. Measure exact width and height of area to be covered. It is recommended that shades overlap window frame or opening by 1 1/2" on each side.
2. Measure height of opening on left side and mark this dimension "left." Allow for overlap as desired: 1 1/2" on top and bottom is recommended.
3. Measure height of opening on right side and mark this dimension "right." Allow for the same overlap as left side.
4. Factory will determine the angle from these three dimensions.

NOTES:

- Product must have trim. Please select coordinating trim color.
- Available on Classic Valance shade only.
- Cords will be on short or tall side of the shade. Must specify.
- Shade will raise only to the lowest point of the angle.
- Available on single shade only.
- Liner option not available.
- Not available with Top Down/Bottom Up option.
- Template required.

Natural Shades

Specialty Options

How To Make a Template

STEP 1

Completely cover the window opening or area to be covered with clean craft or butcher paper and tape into place.

DO NOT USE NEWSPAPER, PLASTIC, OR CARDBOARD.

STEP 2

Mark the room side of the template "FACE"

STEP 3

Draw the outline of the window opening in with a pencil.

STEP 4

For inside mount shades, cut out the template along the penciled line.

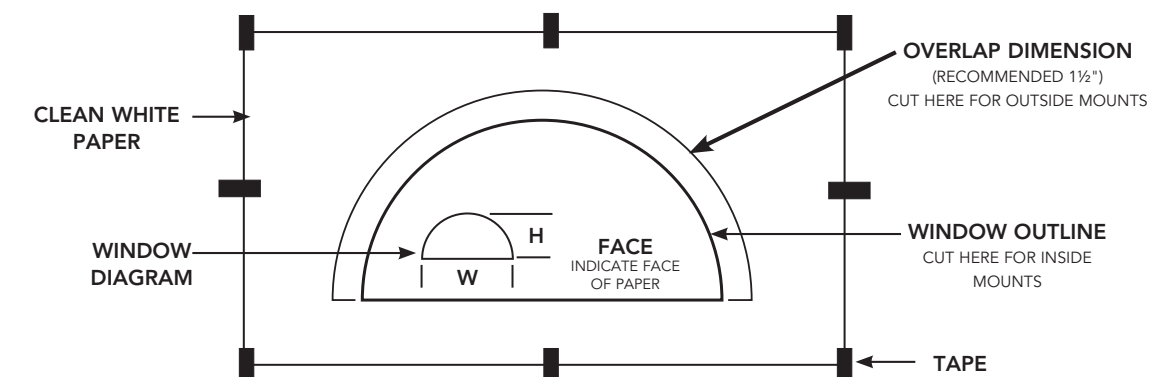
For outside mount shades, add the desired overlap to the penciled guideline and draw in a new guideline. Cut the template along this new guideline.

STEP 5

Draw a diagram of the window area on the face of the template, denoting maximum width and height.

STEP 6

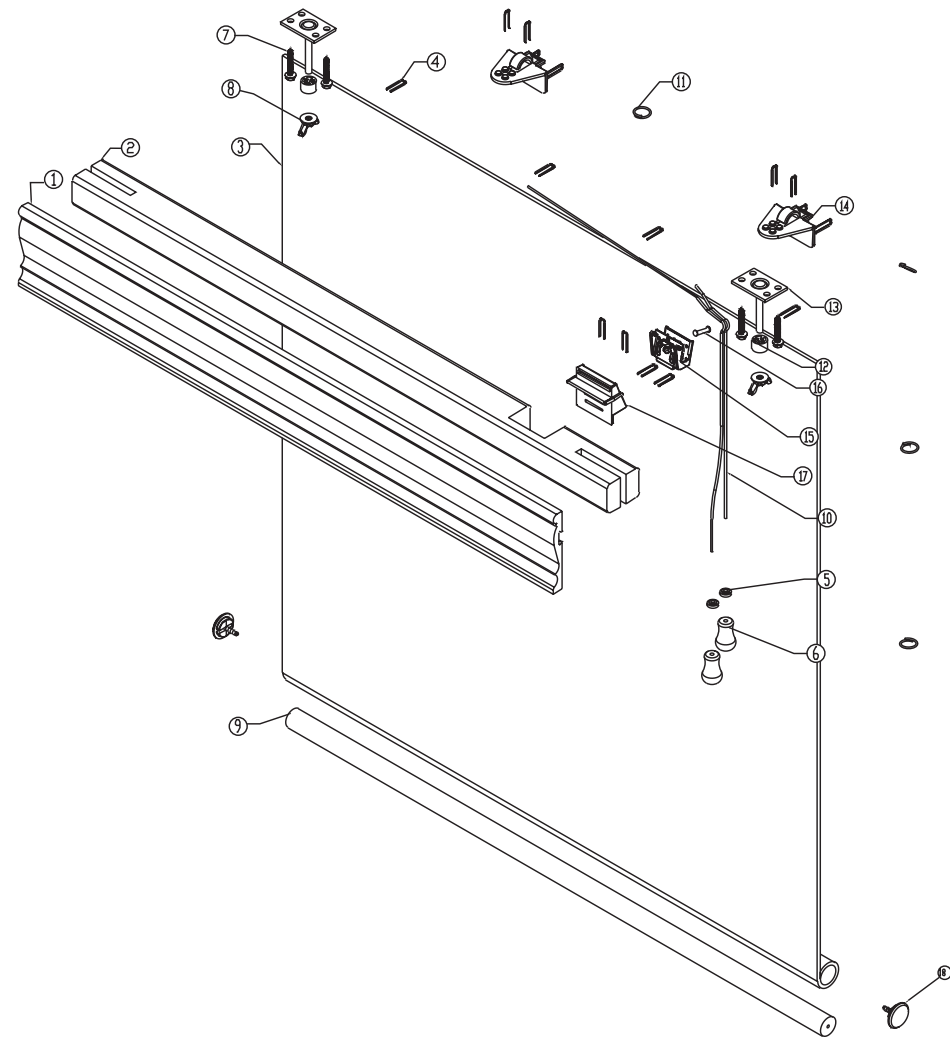
Send in the cut portion of the template. For best results, roll, do not fold, the template for shipment.



Contact Customer Service for mailing instructions.

Natural Shades

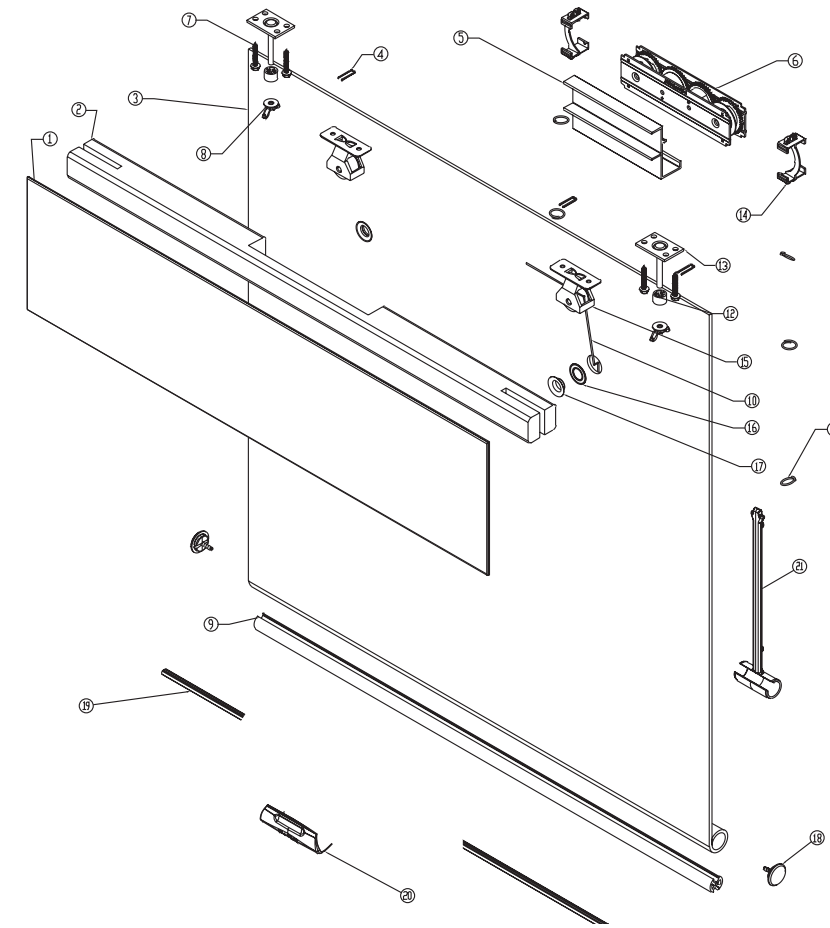
Exploded View—Standard Natural Shade



| MSRP DESCRIPTION | SAP DESCRIPTION |
|------------------------------|-------------------------------------|
| 1 CLASSIC VALANCE | *VALANCE*WD*L30W* |
| 2 HEADRAIL | *DRLO7001 |
| 3 FABRIC | VARIOUS |
| 4 3/4" STAPLE | STAPLES;SX5035 0.075";00390;-QV50 |
| 5 CLEAR SAFETY CORD STOP | WASHERS;SAFETY STOP;30445;-DDW3 |
| 6 WOOD TASSEL | TASSEL;WD*K07V |
| 7 #6X1.25 SELF TAPPING SCREW | SCREW;WD;#6 X 1.25" HEX;01042;-DRLO |
| 8 WING NUT | NUT;WING;#10-32;00018;-DRLO |
| 9 BOTTOMRAIL DOWEL | DOWEL;0.625";-DRLO |
| 10 CORD | VARIOUS |
| 11 SPLIT RING | RINGS;SPLIT;WVWD;76070;-TK17 |
| 12 SPACER | BRKT;SPACER;INSTALL;07007;-DRLO |
| 13 IB BRACKET | BRKT;WD;INSTALLATION;IB;00015;-DRLO |
| 14 CORD GUIDE | VARIOUS |
| 15 CORD LOCK | VARIOUS |
| 16 CORD LOCK PAWL | VARIOUS |
| 17 CORD LOCK CLIP | VARIOUS |
| 18 ENDCAP | ENDCAP; KIRSCH*HGEC0110 |

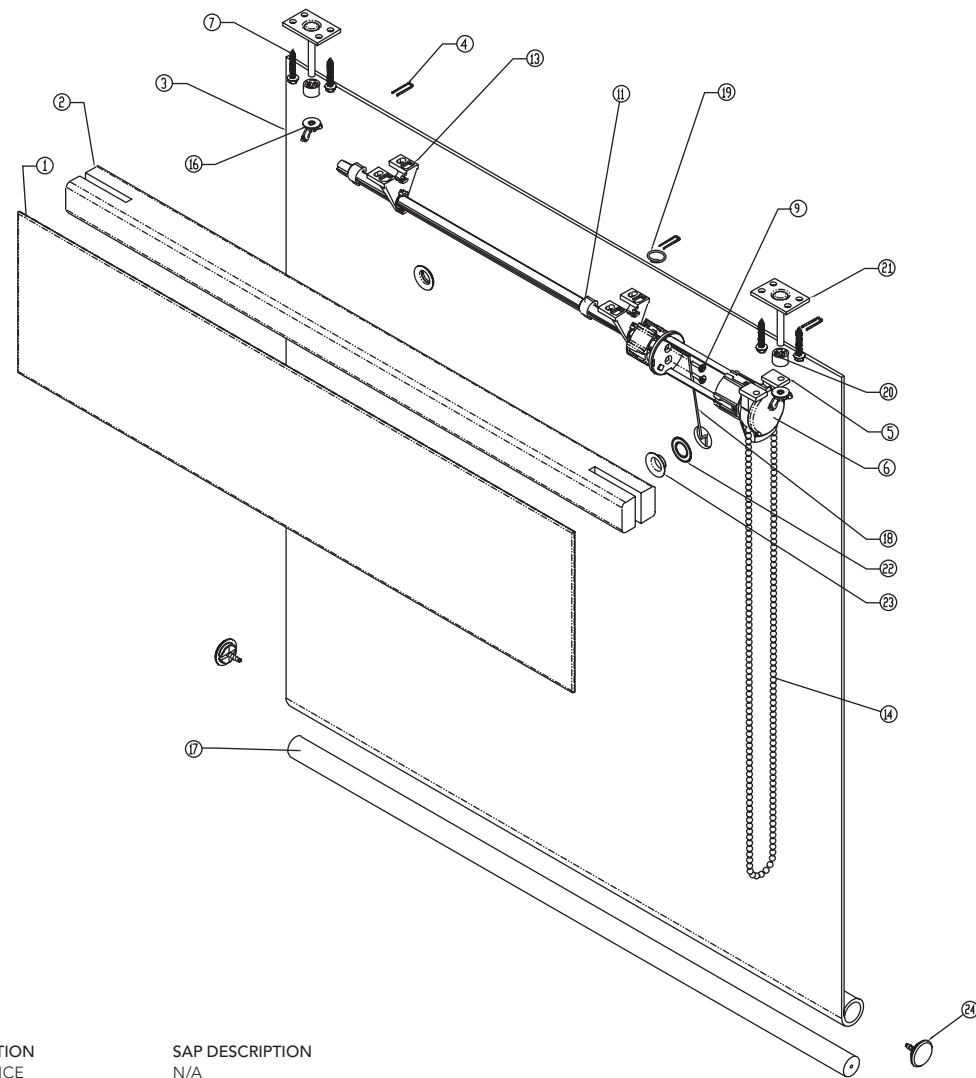
Natural Shades

Exploded View—Cordless Natural Shade



| MSRP DESCRIPTION | SAP DESCRIPTION |
|------------------------------|-------------------------------------|
| 1 ROMAN VALANCE | N/A |
| 2 HEADRAIL | *DRLO7001 |
| 3 FABRIC | VARIOUS |
| 4 3/4" STAPLE | STAPLES;SX5035 0.075";00390;-QV50 |
| 5 MOTOR CRADLE | CRADLE;CORDLESS MOTOR |
| 6 MOTOR | VARIOUS |
| 7 #6X1.25 SELF TAPPING SCREW | SCREW;WD;#6 X 1.25" HEX;01042;-DRLO |
| 8 WING NUT | NUT;WING;#10-32;00018;-DRLO |
| 9 BOTTOMRAIL DOWEL | DOWEL;BOTRAIL |
| 10 CORD | CORD;DURACORD*C48 |
| 11 SPLIT RING | RINGS;SPLIT;WVWD;76070;-TK17 |
| 12 SPACER | BRKT;SPACER;INSTALL;07007;-DRLO |
| 13 IB BRACKET | BRKT;WD;INSTALLATION;IB;00015;-DRLO |
| 14 CORD SEPARATOR | CORD;SEPARATOR |
| 15 CORD PULLEY | PULLEY;SWIVEL;00040;-DR50 |
| 16 BRASS GROMMET FEMALE | GROMMET;01076;-DRLO |
| 17 BRASS GROMMET MALE | GROMMET;01077;-DRLO |
| 18 ENDCAP | ENDCAP; KIRSCH*HGEC0110 |
| 19 BOTTOMRAIL WEIGHT | TILT ROD;"D";12";00010;-E20P |
| 21 CORDLESS SUPPORT | STRUT;CORDLESS;HGSP0024 |

Exploded View—Continuous Cordloop Natural Shade




| MSRP DESCRIPTION | SAP DESCRIPTION |
|------------------------------|-------------------------------------|
| 1 ROMAN VALANCE | N/A |
| 2 HEADRAIL | *DRL07001 |
| 3 FABRIC | VARIOUS |
| 4 3/4" STAPLE | STAPLES;SX5035 0.075";00390;-QV50 |
| 5 SLIM CLUTCH ASSEMBLY | CLUTCH;SLIM |
| 6 SLIM CLUTCH ASSEMBLY COVER | COVER;SLIM CLUTCH |
| 7 #6X1.25 SELF TAPPING SCREW | SCREW;WD;#6 X 1.25" HEX;01042;-DRL0 |
| 9 SPEAR DISK SCREW | SCREW;CONT CORDLOOP SPEAR DISK |
| 11 CORD CLIP | CORD CLIP;CONT CORDLOOP |
| 13 SLIM SHAFT BRACKET | BRKT;SLIM SHAFT |
| 14 CORDLOOP | *F20A* |
| 16 WING NUT | NUT;WING;#10-32;00018;-DRL0 |
| 17 BOTTOMRAIL DOWEL | DOWEL;BOTRAIL |
| 18 CORD | *CC08* |
| 19 SPLIT RING | RINGS;SPLIT;WVWD;76070;-TK17 |
| 20 SPACER | BRKT;SPACER;INSTALL;07007;-DRL0 |
| 21 IB BRACKET | BRKT;WD;INSTALLATION;IB;00015;-DRL0 |
| 22 BRASS GROMMET FEMALE | GROMMET;01076;-DRL0 |
| 23 BRASS GROMMET MALE | GROMMET;01077;-DRL0 |
| 24 ENDCAP | ENDCAP; KIRSCH*HGEC0110 |

Troubleshooting Tips

Corded Natural Shades

| PROBLEM | SOLUTIONS |
|---------------------|--|
| Controls too long | Untie the upper knot from the safety washer. Push the safety washer up to the desired location and tie the knot again. Before cutting off excess cording, please lower the shade to ensure that the length of the shade and the controls are satisfactory. |
| Cordlock inoperable | Contact place of purchase for an authorized repair. |
| Shade not lowering | Unlock cordlock by pulling lift cord to the inside of the shade and pull down on the bottom bar. |

Cordless Natural Shades

| PROBLEM | SOLUTIONS |
|---|--|
| Creeping or sagging  | If you notice your shade is creeping up from the bottom or sagging from the top, contact Customer Service to receive friction clips and instructions to install into the spring motor. |
| Hangs unevenly | In some instances, the cords in your Cordless shade can become entangled. This problem can typically be solved by pulling the shade down completely. This will usually realign the cords. Prevention Tip: Always lift your shade from the middle rather than the sides, and do not lift too quickly, as this creates slack in the cords. |
| Does not operate smoothly | Look inside the headrail at the spring motor and check for friction clips. Remove one and/or all of the friction clips and check for improved operation. |
| Will not lift | Gently pull down on the bottomrail and then lift to reactivate the spring. |

Natural Shades

Terms and Conditions

Order Processing

Telephone Orders
Verbal orders are accepted as the dealer's responsibility. Each order will be repeated back by the Customer Service Representative. In certain instances, we may require written orders.

Duplicated Orders

All orders are confirmed after entry into our system. Customer Service is not responsible for duplicate orders caused by a written order following a telephone order or duplicate faxes.

Changes and Cancellations

All products are custom-made to your specifications under tight deadlines. Once production has begun on your order, changes and cancellations cannot be made.

Contract Orders

All Contract Orders must be processed through Contract Customer Service at 1-800-826-8021.

Claims and Returns

Defective Merchandise

All manufacturing defects must be reported to Customer Service within 30 days of receipt of blinds. We may require the return of defective blinds prior to repair or replacement.

Incorrect Merchandise

If any part of your shipment was made incorrectly, please advise Customer Service within 30 days. A replacement will be made at no charge if the problem was due to Kirsch error. If the problem was due to dealer or customer error, the original order and replacement order will be full charge.

Returns for Repair

Prior to return for repair, contact Customer Service. We will request the order number, date, purchase order number, and type of product. Arrangements for return will be made at that time with directions as to how the blinds should be returned. The package should be marked for easy identification both inside and outside, and should contain a written confirmation of the verbal repair instructions. Repairs should be packaged carefully. Product that has been mishandled or received in poor condition will be returned to the customer.

Chargebacks for unauthorized repairs or additional installation cannot be honored. All returns for repair are subject to freight charges.

Freight

- Shipments outside the continental U.S. are subject to freight charges.
- Chargeable parts and returns for repair are subject to freight charges.

Pricing and Terms

All prices are subject to change without notice. Until credit is approved, terms are cash with order. Standard terms are Net 30 days from invoice date.

Returns for Credit

Returns can be accepted only if prior authorization has been obtained from Customer Service. Authorization will include instructions as to how the merchandise should be returned. Unauthorized returns will be refused.

Freight Damage FedEx/FedEx Ground:

- If freight damage is visible, refuse the shipment. FedEx will inspect the damage and return to the shipping location. Contact Customer Service for further information.
- If freight damage is concealed, retain all packaging materials and contact Customer Service immediately (must be notified within 14 days).

Freight Damage Common Carrier:

- If freight damage is visible, refuse the shipment. The carrier will return the merchandise to the shipping location for inspection. Contact Customer Service for further information.
- If freight damage is concealed, retain all packaging materials and contact Customer Service immediately (must be notified within 14 days).

Natural Shades

LIFETIME-LIMITED WARRANTY FOR CUSTOM PRODUCTS

Kirsch Window Fashions proudly extends a lifetime-limited warranty on the enclosed product to the original residential retail purchaser as long as the product remains in the original window. <except for unfinished wood cornices, which have no warranty>.

WARRANTY COVERAGE

| COVERED | FOR HOW LONG |
|---|--------------|
| Entire product against manufacturing defects (i.e., a flaw in the product design, materials or workmanship that causes the product to no longer function) | Lifetime |
| Except: Cords | 3 years |
| Vertical vinyl vanes | 3 years |
| All fabric | 5 years |

NOT COVERED

Normal wear and tear

Any product that fails due to:

- abuse
- accident
- alterations
- damage from pets/insects
- exposure to salt air
- extraordinary use
- improper cleaning
- improper handling
- improper installation
- improper operation
- misapplication
- misuse

Any product that, with the passage of time, has:

- loss of color intensity
- loss of pleating if product is not held in raised position a portion of the time
- yellowing or cracking of plastic parts or foam wood product

Any motorized product

Natural wood products that have:

- variations in color, grain, or texture
- warping of wood slats in high-humidity areas

Costs associated with:

- product removal
- product remeasure
- product reinstallation
- transportation to and from the retailer
- incidental or consequential damages
- shipping

In the event there are multiple blinds/shades in the same room, only the defective blind/shade will be replaced.

TO REPORT SHIPPING DAMAGE

If damage occurred during shipping, call 1-800-538-6567 and report within 14 calendar days or else you may be denied credit for your damaged product.

TO OBTAIN SERVICE



For online product-specific troubleshooting information, refer to www.Kirsch.com.



- If you suspect this Kirsch Window Fashions product has a manufacturing defect in materials or workmanship:
1. Locate the sales receipt (proof of purchase).
 2. Call 1-800-538-6567.

Any unauthorized returns will not be accepted.

WARRANTY REMEDY

THIS SHALL BE YOUR SOLE REMEDY UNDER THIS LIMITED WARRANTY.

If this Kirsch Window Fashions product is found to have a manufacturing defect in materials or workmanship, we will (at our discretion) do one of the following:

- repair the product
 - replace the product
 - refund the cost of the product
- Colors vary from lot to lot and may not exactly match sample swatch or previous purchases.
 - Discontinued items or color selections will be replaced with the closest equivalent current product.

YOUR RIGHTS UNDER STATE LAW

This lifetime-limited warranty gives you specific legal rights, and you may have other rights, which vary from state to state. Some states do not allow limitations on how long a warranty lasts, so the above limitations may not apply to you.

No agent, representative, dealer, or unauthorized employee has the authority to increase or alter the obligation of this warranty. This lifetime-limited warranty supersedes any previous versions.

SAVE THIS WARRANTY CARD WITH YOUR PROOF OF PURCHASE

kirsch

Effective 3/2012

26

kirsch.com

Phone 1.800.225.1988

Fax 1.800.545.2325

kirsch

Effective 3/2012

27

kirsch.com

Phone 1.800.225.1988

Fax 1.800.545.2325



kirsch®



kirsch.com

Kirsch Window Fashions ©2012
3 Glenlake Parkway, Atlanta, GA 30328
1-800-225-1988 • 1-800-545-2325 fax • www.kirsch.com

A ***NewellRubbermaid***™ Brand

1823373

