

NORMAN®

SHUTTERS. BLINDS. SHADES.



Program Reference Guide



August 2017



Table of Contents

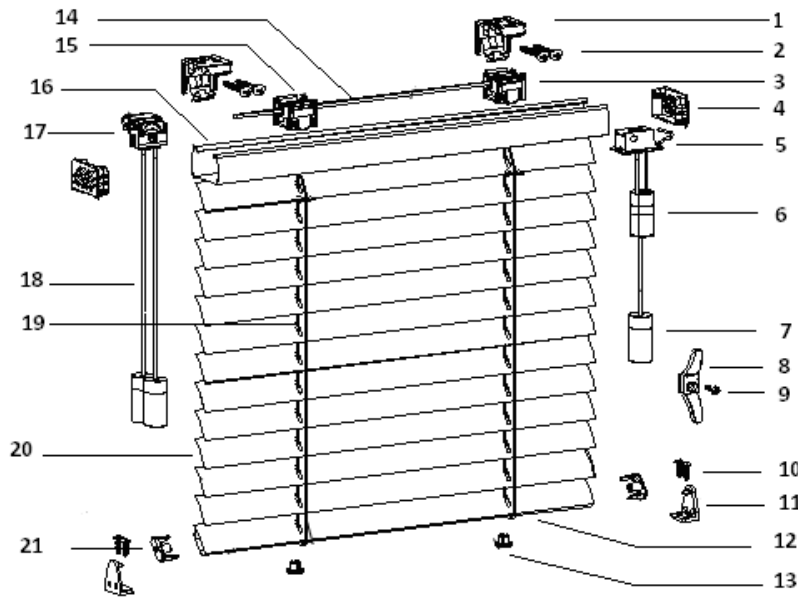
Features and Benefits	4
Terminology	4 - 5
Waterproof Aluminum Blinds	5
General Specifications	6
Size Considerations	6
Minimum Mounting Depth Requirements	6
Control Options	6
Slat Options	6
Stacking Height	7 - 8
Free Options	8
Ladder Cords & Lift Cords	8
Cord Tilt	8
Available Colors	9
Parts	9
Standard Deductions	9

CityLights™ Aluminum Blinds

Features & Benefits

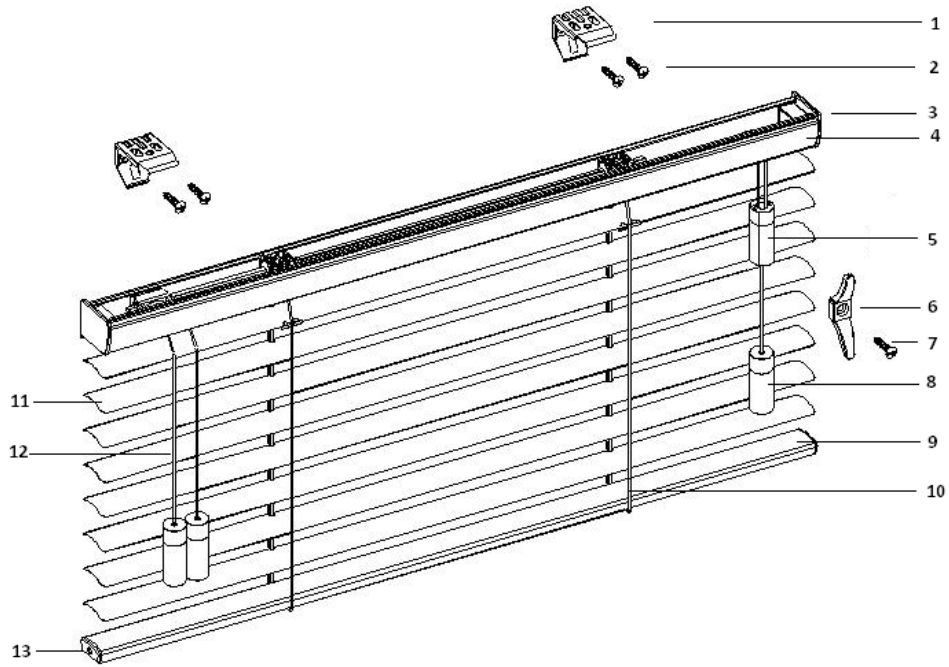
- Slats are treated with Advanced Finished Technology, providing a smooth, rigid, less porous surface. AFT delivers anti-static performance to repel dust and antimicrobial qualities to resist fungal and bacterial growth.
- Curved, valance-free decorative steel headrail and premium steel bottom rail
- Standard cord tilt
- Aesthetically- pleasing modern tassels
- Hidden brackets for a streamlined appearance
- Innovative Insta-Lock™ mechanism locks the blind at any position effortlessly
- Optional privacy slats for enhanced light control

Terminology



NO.	Description	NO.	Description	NO.	Description
1	Installation Bracket	8	Cord Cleat	15	Drum
2	Screw	9	Screw	16	Head rail
3	Drum Support	10	Screw	17	Cord Tilter
4	Head rail End Cap	11	Hold Down Bracket	18	Cord
5	Insta-lock	12	Bottom Rail	19	Ladder Cord
6	Cord Release Device	13	Bottom Rail Button	20	Slat
7	Tassel	14	Tilt Rod	21	Bottom Rail End Cap

Waterproof Aluminum Blinds



NO.	Description	NO.	Description
1	Installation Bracket	8	Tassel
2	Screws	9	Bottom Rail
3	Head Rail End Cap	10	Ladder Cord
4	Head Rail	11	Slat
5	Cord Release Device	12	Cord
6	Cord Cleat	13	Bottom Rail End Cap
7	Screws		

General Specifications

Size Considerations

1" Slats & 1/2" Micro Slats						
Single Blind			2-on-1			
	Min	Max	Max. SQFT	Min	Max	Max. SQFT
Width	9"	96"	60	24 1/4"	132"	100
Length	10"	126"		10"	126"	

*Note:

1. For blind width less than 12", it will be center tilt without lift cords. For same side control, the minimum blind width is 15 1/8".
2. The gap between 2-on-1 blinds is 1/4".
3. The above chart does not mean that a blind can be ordered in maximum width and maximum height.

Minimum Mounting Depth Requirements

	Flushed IB	Semi-IB
Steel Head Rail	1 1/2"	1 1/4"
Aluminum Head Rail (Water Proof)	1 7/16"	1 1/4"

Control Options

Control System	Available Option	
	1"	1/2" Micro
Cord Tilt	Privacy/SafeNotch	SafeNotch

Slat options

	1" Slats -6 Gauge	1" Slats -8 Gauge	1/2" Micro Slats -8 Gauge
Perforated	x	✓	✓
Metallic/Pearlized	✓	✓	✓
Waterproof	✓	✓	✓

*6 Gauge slat thickness: 0.16mm

*8 Gauge slat thickness: 0.21mm

Stacking Height

Blind Drop	Micro Slats		1" Slats	
	Slat Count	Stack height	Slat Count	Slack Height
10"	18	2"	10	1.75"
14"	26	2.25"	14	2"
20"	38	2.5"	21	-
24"	47	-	25	2.25"
25"	49	2.75"	27	-
30"	59	3"	32	-
35"	69	-	37	2.5"
36"	71	3.25"	39	-
42"	83	3.5"	45	-
45"	89	-	48	2.75"
47"	93	3.75"	51	-
53"	105	4"	57	-
55"	110	-	59	3"
58"	116	4.25"	63	-
64"	128	4.5"	69	-
66"	132	-	71	3.25"
70"	140	4.75"	76	-
71"	142	4.75"	77	3.25"
75"	150	5"	81	-
76"	152	-	82	3.5"
81"	162	5.25"	88	-
86"	173	5.5"	93	3.75"
92"	185	5.75"	100	-
97"	195	-	105	4"
98"	197	6"	106	-
103"	207	6.25"	112	-
107"	215	-	116	4.25"
109"	219	6.5"	118	-

115"	231	6.75"	125	-
118"	238	-	128	4.5"
120"	242	7"	131	-
125"	252	7.25"	136	-

*Note: Stack height includes headrail and bottomrail.

Free Options

- Cord cleat
- Hold down brackets (Aluminum Blinds with SafeNotch and when blind width is less than 18" – provided by default)
- Control location change (reverse or group)

Ladder Cords & Lift Cords

1/2" Micro Slats

Blind Width	# of Ladders	# of Lift Cords
9" – 28"	2	2
28 1/8" – 44"	3	2
44 1/8" – 60"	4	4
60 1/8" – 76"	5	3
76 1/8" – 92"	6	4
92 1/8" – 96"	7	4

1" Slats

Blind Width	# of Ladders	# of Lift Cords
9" – 32"	2	2
32 1/8" – 52"	3	2
52 1/8" – 72"	4	4
72 1/8" – 92"	5	3
92 1/8" – 96"	7	4

Cord Tilt

Finished Blind Height	Pull Cord Length	Tilt Cord Length
10" to 29 1/2"	20"	20"
29 5/8" to 42"	2/3 blind height	2/3 blind height
42 1/8" to 130"	1/2 blind height	1/2 blind height

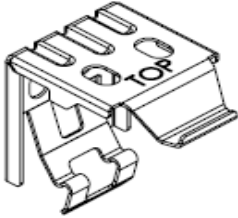

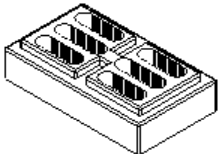

*Minimum 20" for custom tilt cord

Available Colors

1	White	7	Bisque	13	Harvest Gold	19	Red	25	Brushed Aluminum*
2	Oxford White	8	Pure White	14	Sugar Maple	20	Black	26	Metallic Bronze*
3	Alabaster	9	Bright White	15	Sky	21	Royal Blue	27	Platinum*
4	Soft Shell	10	Strawberry Cream	16	Deep Ivy	22	Tarmac	28	Bronze*
5	Ivory	11	Lemondrop	17	Beige	23	Dark Earth	29	Pure White Perforated**
6	Antique Lace	12	Peach Sorbet	18	Vanilla	24	Silver Moon*	30	Silver Perforated**

*10% surcharge **30% surcharge

Parts

Item	Drawings	
	Steel Headrail	Aluminum Headrail for Waterproof
Installation Bracket		 *Stainless Bracket
Optional Parts	 Shim: thickness= 3/8" (10mm)	 Hold down bracket (For 1" & 1/2" Micro slat with SafeNotch blind width < 18", provided by default)

Standard Deductions

Steel Headrail:

- Inside Mount: Order Width-3/8" = Finished Blind Width
- Outside Mount: Order Width = Finished Blind Width
- Tolerance: Width = $\pm 1/16"$, Length = 0~1/4"(when blind is in an open position)

Aluminum Headrail for Waterproof:

- Inside Mount: Order Width-1/4" = Finished Blind Width
- Outside Mount: Order Width = Finished Blind Width
- Tolerance: Width = $\pm 1/16"$, Length = 0~1/4"(when blind is in an open position)