



Norman Faux Wood Blinds

Program Reference Guide

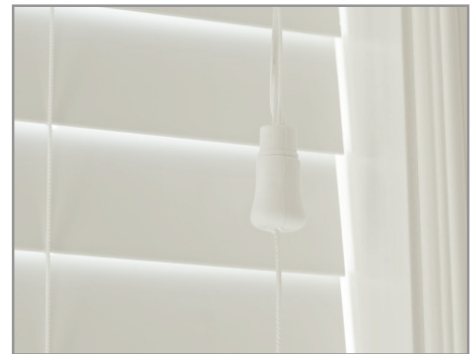
Classic E Faux Wood Blinds

Features & Benefits

- Standard 2" slats with SafeNotch™ route holes
- Upgraded 3 1/4" designer crown valance for a timeless appearance
- Reengineered bottomrail enhances structural integrity and eliminates bowing when blind is semi-raised
- Advanced tilting mechanism makes tilting blinds easier than ever
- Innovative Insta-Lock™ system locks blinds at any position effortlessly
- Patented child safe and pet safe cord release device
- Moisture-resistant, fire resistant and lead free



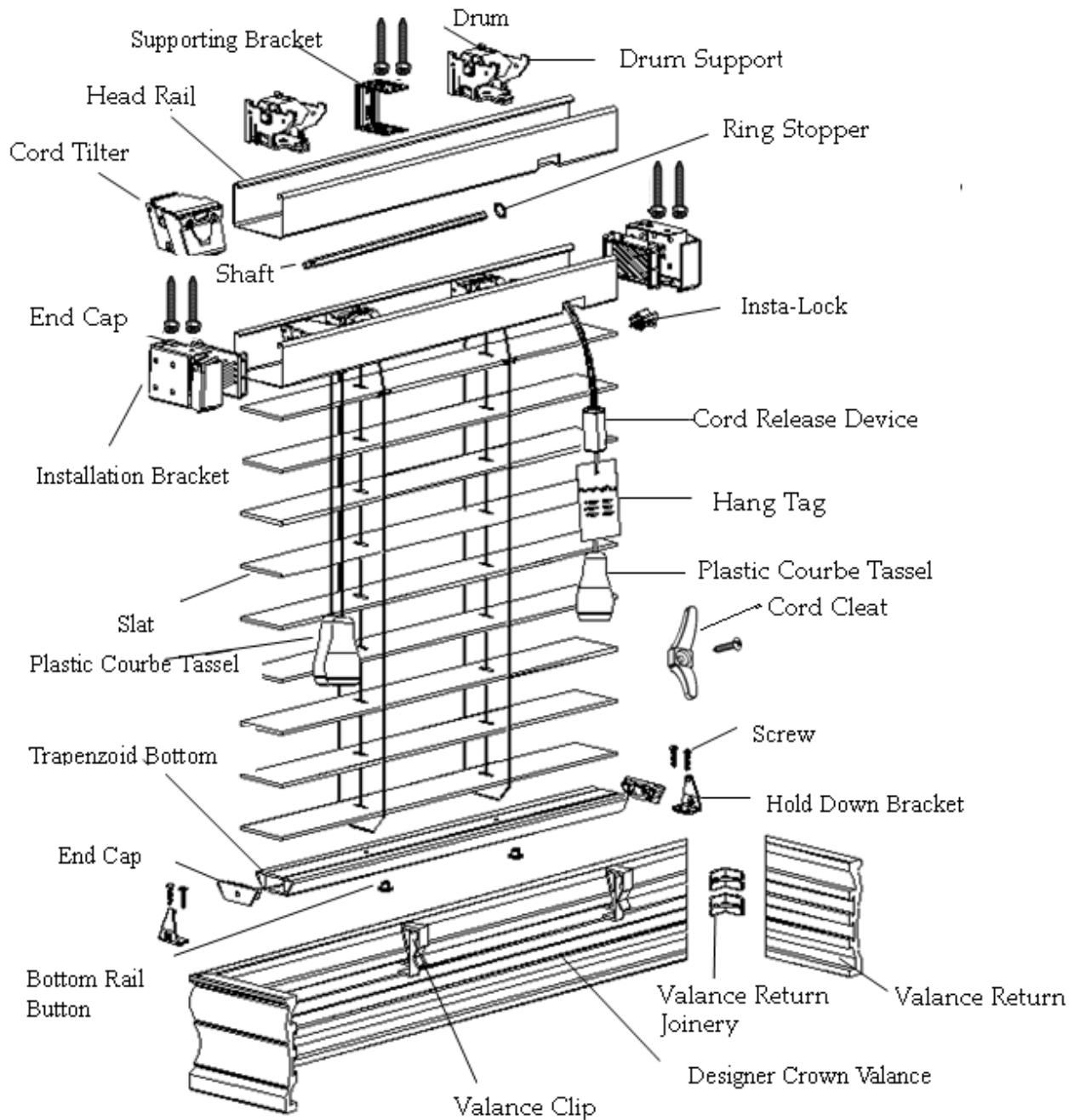
Designer Crown
Valance



Cord Release Device

Classic E Faux Wood Blinds

Terminology



Classic E Faux Wood Blinds

Features & Options

Features

- 3 1/4" designer crown valance
- Standard cord tilt (tilt on left, lift on right)
- Semi-inside mount valance return included: 3/4"
- Outside mount valance return included: 2 13/16"
- Low profile steel headrail
- Engineered trapezoid bottomrail

Available Colors

- Designer White (E008)
- Pearl (E006)
- Alabaster (E025)
- Birch (E032)
- Chestnut (E226)*
- Black Walnut (E221)*

*20% surcharge on printed colors

Options

- Common Valance: center splice for widths over 96"
- Options not available: 2-on-1 or 3-on-1, cloth tapes, wand tilt
- Next day ship (surcharge applies)
- Valance straight cut (surcharge applies)

Size Limitations

	Minimum	Maximum
Width	8 1/2"	96"
Length	10"	90"

Note : Center tilt only if blind width is less than 13"

Mounting Depth Requirements

Slat Size	Semi-Inside Mount	Flush IB
2"	2 3/16"	3 5/16"

Classic E Faux Wood Blinds

General Specifications

Ladder Chart

Blind Width	# of Ladders	# of Cords
24" or less	2	2
24 1/8" - 37"	3	2
37 1/8" - 50"	4	4
50 1/8" - 63"	5	3
63 1/8" - 76"	6	4
76 1/8" - 89"	7	5
89 1/8" - 96"	8	6

Note : Number of ladders may vary if the blind order is close to the maximum width

Standard Deductions

Inside Mount: Order Width – 3/8" = Blind Width

Outside Mount: Order Width = Blind Width

Valance & Valance Returns

Valance Return size (Inner Dimension)	Drawings (Top View)	Valance Length (Inner Dimension)
3/4" & 2 13/16"		Blind width + 1"

*Both valance returns (for semi-inside & outside mount) are included inside of the package

Classic E Faux Wood Blinds

General Specifications

Hardware

Blind Width	Installation Bracket	Supporting Bracket	Valance Clip	Valance Return Joinery
$W \leq 37''$	2	0	2	4
$37'' < W \leq 47''$	2	1	3	4
$47'' < W < 60''$	2	2	3	4
$60'' \leq W \leq 75''$	2	2	4	4
$75'' < W \leq 96''$	2	3	4	4

Note: Hold down brackets will be included in width 32" or less.

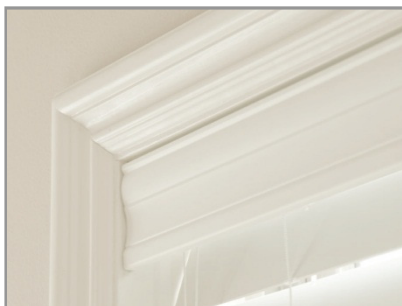
Performance Faux Wood Blinds

Features & Benefits

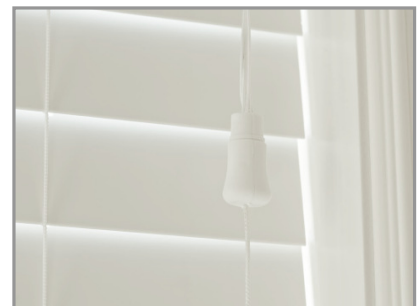
- Patented SmartPrivacy™ feature allows optimum blind closure for the utmost levels of privacy
- Endures over 2000 hours of UV testing for superior colorfastness
- Can withstand above average temperatures without warping (135° heat deflection temperature)
- New formulation significantly reduces pull force required to raise blinds
- Reengineered bottom rail adds structural integrity and prevents bowing when blind is raised
- Advanced tilting mechanism makes angling blinds effortless
- Innovative Insta-Lock™ system locks blinds at tighter horizontal intervals with ease
- Upgraded 3 ¼" designer crown valance adds extra style
- Cord lock mechanism minimizes cord fray for lasting enjoyment
- Cord release device breaks apart in case of child or pet entanglement and consolidates cords
- Blind slats are water-proof, fire retardant and lead free



SmartPrivacy™



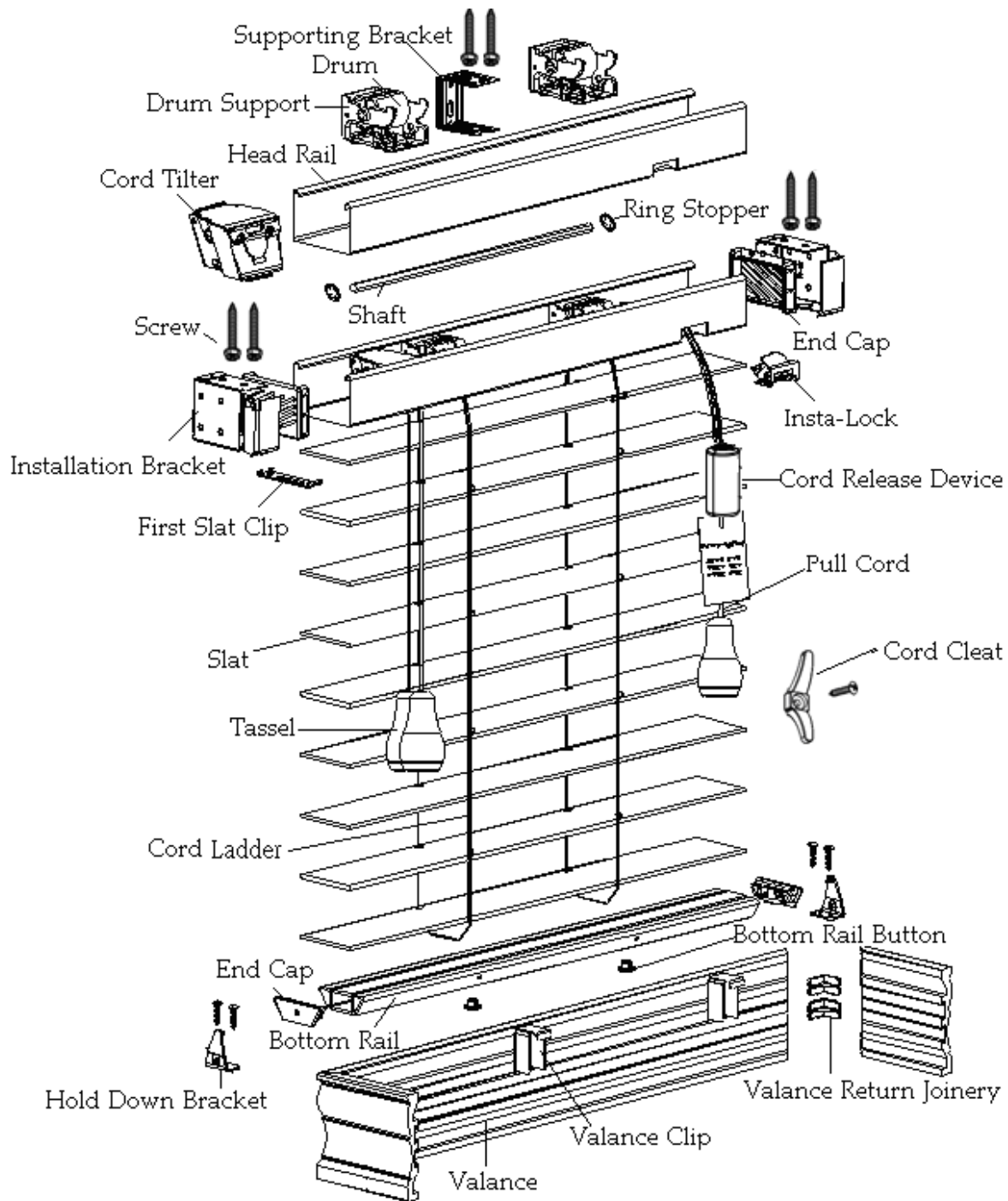
Designer Crown Valance



Cord Release Device

Performance Faux Wood Blinds

Terminology



Performance Essentials & Essentials Plus Program

Features and Options

Features

	Essentials	Essentials Plus
Slat Size	2" & 2 1/2"	2" & 2 1/2"
Valance	3 1/4" Designer Crown	3 1/4" Designer Crown
Privacy	SmartPrivacy™ standard	
Valance Returns	<ul style="list-style-type: none"> •Included in the box: 3 1/16" for 2" slats and 3 9/16" for 2 1/2" slats •Other available sizes: 1/2", 1 1/4", 2", 3 1/16", 4 1/4" 	Custom Size
Tilt	Cord Tilt	Cord Tilt
Blind Length	Up to 1 slat tolerance	Exact (+/- 1/8")
Available Colors	<ul style="list-style-type: none"> • Pure White, Pearl, Old Teak* & Black Walnut * for 2" slats • Silk White, Pearl, Alabaster & Pure White for 2.5" slats * 20% surcharge on printed colors 	

Options

- Common valance (Over 96" will be spliced in the middle; for off-center splice, extra charge applies.)

Size Limitations

	Minimum	Maximum
Width (Actual Size)	8 1/2"	96"
Length	10"	90"

Note : 2" blind will have center tilt only , if less than 13" in width; 2.5" blind may have both lift & tilt in certain sizes

Performance Essentials & Essentials Plus Program

General Specifications

Mounting Depth Requirements

	Semi Flush IB	Flush IB
2"	2 3/16"	3 1/2"
2 1/2"	1 11/16"	4"

Standard Deductions

Inside Mount: Order Width – 3/8" = Blind Width

Outside Mount: Order Width = Blind Width

Ladder Chart

Blind Width	# of Ladders	# of Pull Cords
8.5" ≤ W ≤ 13"	2	4
13" < W ≤ 24"	2	4
24" < W ≤ 37"	3	5
37" < W ≤ 50"	4	4
50" < W ≤ 63"	5	5
63" < W ≤ 76"	6	6
76" < W ≤ 89"	7	6
89" < W ≤ 96"	8	6

Note : Number of ladders and cords may vary if the blind order is close to the maximum width

Performance Essentials & Essentials Plus Program

General Specifications

Valances

	Drawings (top view)	Valance Length
		(Inner Dimension)
2" blinds		Blind width + 1"
2.5" blinds		Blind width + 1"

Hardware

Blind Width	Installation Bracket	Supporting Bracket	Valance Clip	Valance Return Joinery	Cord Cleat
$W \leq 37"$	2	0	2	4	1
$37" < W \leq 47"$	2	1	3	4	1
$47" < W < 60"$	2	2	3	4	1
$60" \leq W \leq 75"$	2	2	4	4	1
$75" < W \leq 96"$	2	3	4	4	1

Note: Hold down brackets will be included in width 32" or less.

Performance Premium Program

Features and Options

Features

- SmartPrivacy™ standard
- 3 ¼" designer crown valance
- Cord tilt (tilt on left, lift on right)
- Two slat sizes: 2" & 2 ½"
- Low profile steel headrail
- Engineered trapezoid bottom rail

Options

- Control options: standard , reverse and group
- Common valance*(Over 96" will be spliced in the middle)
- Tile cut-out*
- 2 on 1 (default gap between blinds is ¼")
- SmartPrivacy™ standard
- Cord tilt only

Available Colors

Painted Colors		Stained Colors	
Pure White	Silk White	Limed White	Driftwood
Bright White	Pearl	Natural Oak	Chestnut
Cameo	Alabaster	Old Teak	Black Walnut
Birch	Taupe	Cherry	Dark Mahogany
Bisque	Bronze Brown	Ebony	French Oak
		Gray	

*Stain colors: 10% surcharge

Size Considerations

Size	Single Blind			2 on 1*		
	Min	Max	Sqft	Min	Max	Sqft
Width (Actual Size)	6.5"	96"	60 sqft	13 ¼"	120"	98 sqft
Length	10"	118"		10"	118"	

Note: Center tilt only for blind < 12"

Performance Premium Program

General Specifications

Color Coordination Chart

Blind Color	Headrail & Bracket Colors	Ladder & Cord Colors	Cord Release Device & Tassel Color	Bottom Rail Button Color	Bottom Rail Color	Bottom Rail End Cap Color
P001 Pure White	3058 Pure White	T001 White	2037 Snow White	2037 Snow White	2080 Pure White	2080 Pure White
P003 Silk White					2003 Silk White	2003 Silk White
P004 Bright White					2079 Bright White	2079 Bright White
P030 Cameo	H002 Vanilla	5020 Alabaster	2012 Cameo	2012 Cameo	2012 Cameo	2012 Cameo
P006 Pearl					2095 Pearl	2095 Pearl
P025 Alabaster					2064 Alabaster	2064 Alabaster
P032 Birch					2063 Birch	2063 Birch
P410 Taupe					2465 Taupe	2465 Taupe
P933 Lime White					6933 Lime White	2059 Limed White
P411 Bronze Brown	3523 Sugar Maple	5413 Walnut	2413 Walnut	2413 Walnut	2466 Bronze Brown	2466 Bronze Brown
P937 Driftwood	3105 Gray	T168 Gray	P101 Gray	P101 Gray	6937 Driftwood	2124 Driftwood
P226 Chestnut	3523 Sugar Maple	5526 Cottage Pine	2522 Teak	2522 Teak	6921 Chestnut	2536 Chestnut
P936 Natural Oak			P501 Wheat	2413 Walnut	6936 Natural Oak	2572 Natural Oak
P230 Old Teak	3436 Coffee	5413 Walnut	2413 Walnut	2413 Walnut	6922 Old Teak	2435 Old Teak
P221 Black Walnut	3208 Black	T201 Black	P201 Charcoal (Black)	P201 Charcoal (Black)	6923 Black Walnut	2202 Black Walnut
P211 Cherry	3436 Coffee	5413 Walnut	P401 Cherry	2413 Walnut	6925 Cherry	2417 Cherry
P233 Dark Mahogany		5430 Mahogany			6924 Dark Mahogany	2434 Mahogany
6050 Bisque	H002 Vanilla	5020 Alabaster	2012 Cameo	2012 Cameo	2095 Pearl	2095 Pearl
6938 Gray	3105 Gray	T168 Gray	P101 Gray	P101 Gray	6938 Gray	2124 Driftwood
6948 French Oak	3523 Sugar Maple	5526 Cottage Pine	2522 Teak	2522 Teak	6948 French Oak	2472 French Oak
6950 Ebony	3436 Coffee	5413 Walnut	2413 Walnut	2413 Walnut	6950 Ebony	2435 Old Teak

Performance Premium Program

General Specifications

Valance Size Information

	Performance Premium Blinds
Inside Mount with NO returns	Order width – 1/8"
Inside Mount with 3/4" returns	Order width + 1/4"
Outside Mount with NO returns	Order width +2"
Outside Mount with returns	Order width +1"

*All measurements are the BACKSIDE valance measurement

Valance Return Information

Slat Size	Standard Valance Return Option
2"	3/4" (Semi-inside) & 3 1/16"(OB)
2.5"	3/4" (Semi-inside) & 3 9/16"(OB)

*Minimum Return length is 1/2"; maximum return length is 8"

**When spacer block is selected for 2" OB blinds, recommended return size is 3 7/16"

*When spacer block is selected for 2.5" OB blinds, recommended return size is 3 15/16"

Mounting Depth Requirements

Slat Size	Semi-IB	Flushed IB
2"	2 3/16"	3 1/2"
2.5"	1 11/16"	4"

Stacking Height

Blind Drop	Stacking Height	
	2" Slat	2.5" Slat
36"	4.56"	4.06"
48"	5.44"	4.69"
72"	7.21"	6.07"
96"	8.97"	7.46"
118"	10.61"	8.72"

Ladder Chart

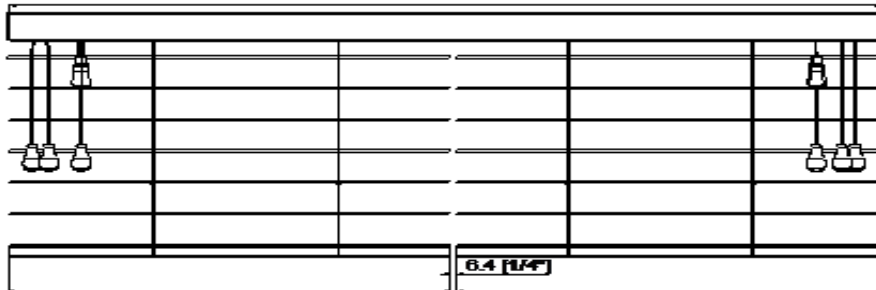
Blind Width	# of Ladders	# of Cords
8 1/2" – 24"	2	4
24 1/8" – 37"	3	5
37 1/8" – 50"	4	4
50 1/8" – 63"	5	5
63 1/8" – 76"	6	6
76 1/8" – 89"	7	6
89 1/8" – 96"	8	6

Performance Premium Program

Two-on-one Headrail & Cutouts

Two-on-one Headrail

- Price as two individual blinds
- The gap between two blinds is 1/4".
- Slat alignment between blinds is not guaranteed



Blind Option		Cord Control			
		Left Blind		Right Blind	
		Tilt Cord	Pull cord	Tilt Cord	Pull cord
2 on 1	Standard	Left	Left	Right	Right

Cut-outs

A cut-out is a blind with an area removed to avoid an existing obstruction. Please provide detailed measurements of the area to be removed, which should include cut-out width, cut-out height, left width and right width.

1. Cut-outs are measured when slats are at a close position.
2. We encourage customers to provide a diagram.

Cut-out Location	Blind Width	Min Cut-out Width	Max Cut-out Width
1. Bottom Corner (Left, Right or Both) 2. Cut-out doesn't involve cutting bottom rail	Between 6.5" and less than 12"	1/8"	0.5"
	Between 12" and 19.125"		2"
	19.125" or wider		4.5"