



## Normandy® Wood Blinds

### Program Reference Guide

---

## Table of Contents

---

Features & Benefits	1
Terminology	2 – 3
Standard Features & Options	4
General Specifications	5 – 6
Color Coordination Chart	7
Cloth Tapes	8
Cut-outs	9
Parts	10

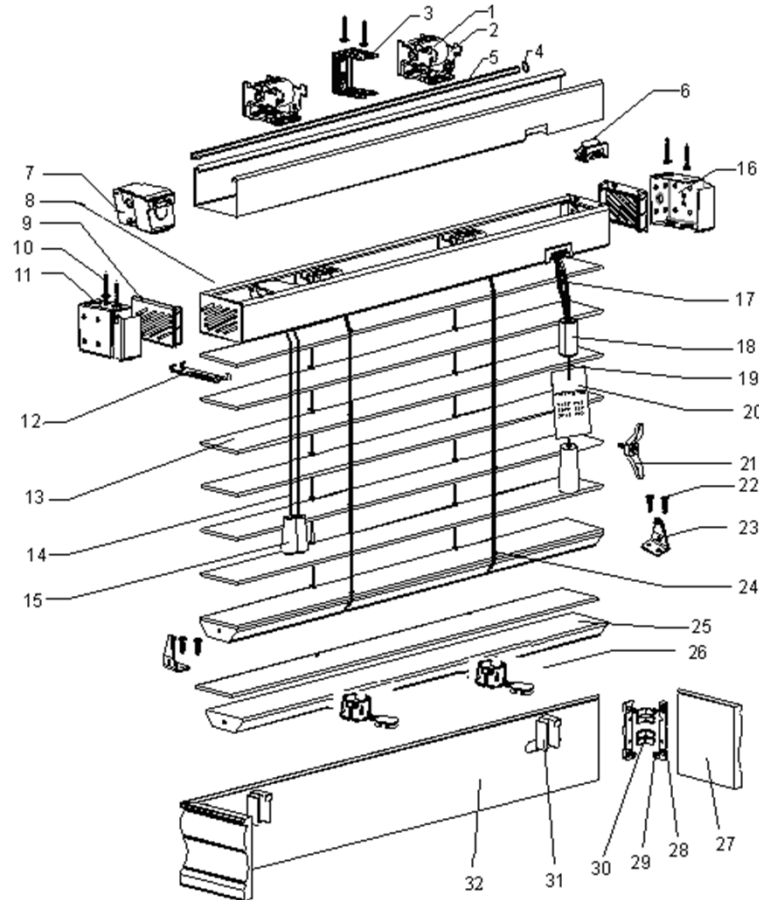
---

## Features & Benefits

---

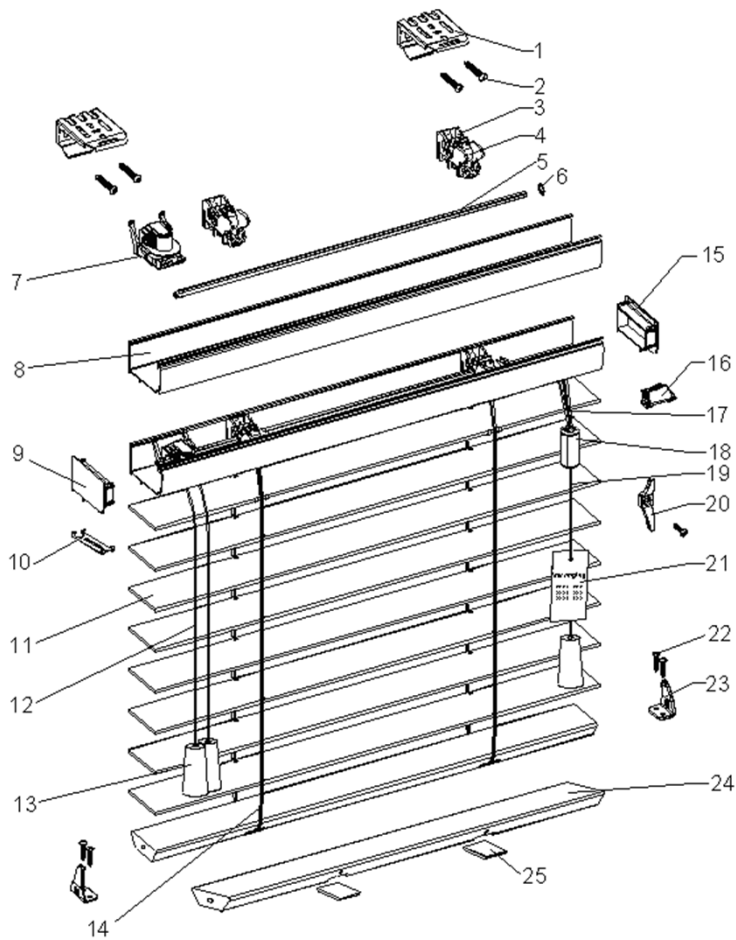
- Environmentally-friendly premium solid wood
- Textured grain finish highlights the natural characteristic of the wood
- Patented, award-winning SmartPrivacy™ feature allows optimum blind closure for the utmost levels of privacy
- Light weight enables easier lifting and lowering
- Advanced tilting mechanism makes angling blinds effortless
- Innovative Insta-Lock™ system locks blinds at tighter horizontal intervals with ease
- Upgraded 3 ¼” designer crown valance adds extra style
- Locking mechanisms minimize cord fray for lasting enjoyment
- Cord Release Device consolidates cords and breaks apart in case of child entanglement for added safety
- New Euro-Style Headrail System:
  - Decorative valance-free headrail available in 4 sleek finishes
  - Innovative built-in light block for extra privacy and added light control
  - Available in all Normandy colors and 2 slat sizes

## Normandy Blind with SmartPrivacy (Steel Headrail)



NO.	Description	NO.	Description	NO.	Description
1	Drum	12	Slat Clip	23	Hold Down Bracket
2	Drum Support	13	Slat	24	Ladder Cord
3	Supporting Bracket	14	Tilter Cord	25	Bottom Rail
4	Ring stopper	15	Tassel	26	Bottom Rail Button
5	Tilt rod	16	Installation Bracket-Right	27	Valance Return
6	Insta-Lock	17	Pull Cord	28	Valance Return Connector Base
7	Cord Tilter	18	Cord Release Device	29	Screw for Valance Return Connector Base
8	Steel Head Rail	19	Tassel Cord	30	Valance Return Connector
9	Head Rail End Cap	20	Warning Tag	31	Steel Valance Clip
10	Screw for Bracket	21	Cord Cleat	32	Valance
11	Installation Bracket-Left	22	Screw for Hold Down Bracket & Cord Cleat		

## Normandy Blind with SmartPrivacy (Euro Style Headrail)



NO	Description	NO	Description	NO	Description
1	Installation Bracket	10	Slat Clip	19	Tassel Cord
2	Screw for Bracket	11	Slate	20	Cord Cleat
3	Drum Support	12	Tilter Cord	21	Warning Tag
4	Drum	13	Tassel	22	Screw for Hold Down Bracket & Cord Cleat
5	Tilt rod	14	Ladder Cord	23	Hold Down Bracket
6	Ring Stopper	15	Head Rail End Cap-Right	24	Bottom Rail
7	Cord Tilter	16	Insta-Lock	25	Bottom Rail Cap
8	Aluminum Head Rail	17	Pull Cord		
9	Head Rail End Cap-Left	18	Cord Release Device		

## Standard Features & Options

### Standard Features

- SmartPrivacy™
- 3 ¼" designer crown valance; for Euro Rail, valance free
- Cord tilt: tilt on left, lift on right
- Two slat sizes: 2" & 2 ½"
- Low profile steel headrail

### Options

- Control options: standard, reverse, group
- Valances: 2 ½" Contempo, 3" Contempo, 4 ½" Crown
- Custom valance return size
- Cloth tapes: 1" solid, 1" designer decorative tapes
- Tile cut-outs
- 2 on 1 (default gap between blinds is ¼")
- Common valance: Over 96" will be spliced in the middle



3 ¼" Designer Crown Valance



4 ½" Crown Valance



2 ½" & 3" Contempo Valance

## General Specifications

### Ladder Chart

Blind Width(X)	SmartPrivacy	With Cloth Tapes
	2" Slat	
8" ≤ X < 12"	2	2
12" ≤ X ≤ 17"	2	2
17" < X ≤ 32"	2	2
32" < X ≤ 54"	3	3
54" < X ≤ 78"	4	4
78" < X ≤ 96"	5	5
96" < X ≤ 120"	6	6

Blind Width(X)	SmartPrivacy	With Cloth Tapes
	2.5" Slat	
8" ≤ X < 12"	2	2
12" ≤ X ≤ 17"	2	2
17" < X ≤ 36.5"	2	2
36.5" < X ≤ 54"	3	3
54" < X ≤ 75"	4	4
75" < X ≤ 96"	5	5
96" < X ≤ 120"	6	6

### Size Limitations

Size	Single Blind			2 on 1*		
	Min	Max	Sqft	Min	Max	Sqft
<b>Width</b> (Actual blind Size)	8"	120"	80 sqft	16 ¼"	120"	100 sqft
<b>Length</b>	10"	120"		10"	120"	

- For 2-on-1, each blind has separate cord controls
- Center tilt only for blind widths less than 12"
- Maximum width for stain colors is 96"

## General Specifications

### Valance Width

	Valance Width
Inside Mount with <b>NO</b> returns	Order width – 1/8"
Inside Mount with 3/4" returns	Order width + 1/4"
Outside Mount with <b>NO</b> returns	Order width +2"
Outside Mount with returns	Order width +1"

\*All measurements are the BACKSIDE valance measurement

### Control Option

Default	Optional
Cord tilt left, pull cord right	Cord tilt right, pull cord left
	Cord tilt right, pull cord right
	Cord tilt left, pull cord left
	Center Tilt only for widths $8" \leq X < 12"$

1. Group control is available for blind width wider than 18".
2. Tilter will be on the outer end when both controls are on the same side.

### Stacking Chart

Blind Height	Stack Height	
	2" Slat	2.5" Slat
36"	5.06"	4.67"
48"	6.02"	5.45"
72"	7.81"	7.19"
96"	9.74"	8.76"
120"	11.67"	10.50"

### Standard Deductions

1. IB for regular steel headrail: order width – 3/8" (total)
2. IB for Euro-style headrail: order width – 1/4" (total)
3. OB: no deductions on width
4. Tolerance on width: – 1/8", +1/8"
5. Tolerance on height: -1/8", + 3/8"



# Normandy® Wood Blinds

## Color Coordination Chart- Steel Rail

No.	Color Code	Color Type	Slat Color	Steel Head rail/Installation Bracket	Ladder Cord/Pull Cord	Cord Release Device
1	ND001	painted	ND001 Pure White	3058 White	T001 White	2037 Snow White
2	ND003	painted	ND003 Silk White	3058 White	T001 White	2037 Snow White
3	ND110	stained	ND110 Limed White	H002 Vanilla	5020 Alabaster	2012 Cameo
4	ND006	painted	ND006 Pearl	H002 Vanilla	5020 Alabaster	2012 Cameo
5	ND011	painted	ND011 Cameo	H002 Vanilla	5020 Alabaster	2012 Cameo
6	ND004	painted	ND004 Bright White	3058 White	T001 White	2037 Snow White
7	ND009	painted	ND009 Creamy	H002 Vanilla	5020 Alabaster	2012 Cameo
8	ND013	painted	ND013 Bisque	H002 Vanilla	5020 Alabaster	2012 Cameo
9	ND012	painted	ND012 Crisp Linen	H002 Vanilla	5020 Alabaster	2012 Cameo
10	ND002	painted	ND002 Extra White	3058 White	T001 White	2037 Snow White
11	ND008	painted	ND008 Marshmallow	H002 Vanilla	5020 Alabaster	2012 Cameo
12	ND108	stained	ND108 Rustic Grey	3105 Gray	T168 Gray	P101 Gray
13	ND220	stained	ND220 New Ebony	3105 Gray	T168 Gray	P101 Gray
14	ND053	painted	ND053 Clay	3208 Black	T201 Black	P201 Black
15	ND221	stained	ND221 Black Walnut	3208 Black	T201 Black	P201 Black
16	ND204	stained	ND204 Oak Mantel	3523 Sugar Maple	5526 Cottage Pine	2522 Teak
17	ND227	stained	ND227 Red Oak	3523 Sugar Maple	5526 Cottage Pine	2522 Teak
18	ND230	stained	ND230 Old Teak	3436 Coffee	5413 Walnut	2413 Walnut
19	ND211	stained	ND211 Cherry	3436 Coffee	5413 Walnut	P401 Cherry
20	ND237	stained	ND237 Wenge	3436 Coffee	5430 Mahogany	2437 Mahogany
21	ND862	stained	ND862 French Oak	3523 Sugar Maple	5526 Cottage Pine	P501 Wheat
22	ND219	stained	ND219 Mahogany	3436 Coffee	5430 Mahogany	2437 Mahogany
23	ND229	stained	ND229 Rich Walnut	3436 Coffee	5413 Walnut	2413 Walnut
24	ND233	stained	ND233 Dark Mahogany	3436 Coffee	5430 Mahogany	2437 Mahogany
25	ND205	stained	ND205 Goldenrod	H501 Natural	5526 Cottage Pine	2522 Teak
26	ND215	stained	ND215 Cordovan	3436 Coffee	5413 Walnut	2413 Walnut
27	ND109	stained	ND109 Weathered Teak	3105 Gray	T168 Gray	P101 Gray
28	ND212	stained	ND212 Dark Teak	3523 Sugar Maple	5413 Walnut	2413 Walnut
29	ND114	stained	ND114 Taupe	H501 Natural	5507 Natural 5020 Alabaster	P501 Wheat
30	ND049	painted	ND049 Stone Grey	3105 Gray	T168 Gray	P101 Gray
31	ND051	painted	ND051 Brown Grey	3105 Gray	5120 Bark T168 Gray	P101 Gray
32	ND048	painted	ND048 Chai	3105 Gray	5526 Cottage Pine	P501 Wheat

# Normandy® Wood Blinds

## Color Coordination Chart- Euro Style Rail System

No.	Color Code	Color Type	Slat Color	Headrail	Bracket	Ladder Cord/Pull Cord	Cord Release Device
1	ND001	painted	ND001 Pure White	3058 White	3058 White	T001 White	2037 Snow White
2	ND003	painted	ND003 Silk White	3058 White	3058 White	T001 White	2037 Snow White
3	ND110	stained	ND110 Limed White	3058 White	3058 White	5020 Alabaster	2012 Cameo
4	ND006	painted	ND006 Pearl	3058 White	3058 White	5020 Alabaster	2012 Cameo
5	ND011	painted	ND011 Cameo	3058 White	3058 White	5020 Alabaster	2012 Cameo
6	ND004	painted	ND004 Bright White	3058 White	3058 White	T001 White	2037 Snow White
7	ND009	painted	ND009 Creamy	3058 White	3058 White	5020 Alabaster	2012 Cameo
8	ND013	painted	ND013 Bisque	3058 White	3058 White	5020 Alabaster	2012 Cameo
9	ND012	painted	ND012 Crisp Linen	3058 White	3058 White	5020 Alabaster	2012 Cameo
10	ND002	painted	ND002 Extra White	3058 White	3058 White	T001 White	2037 Snow White
11	ND008	painted	ND008 Marshmallow	3058 White	3058 White	5020 Alabaster	2012 Cameo
12	ND108	stained	ND108 Rustic Grey	4126 Silver	3107 Silver	T168 Gray	P101 Gray
13	ND220	stained	ND220 New Ebony	4126 Silver	3107 Silver	T168 Gray	P101 Gray
14	ND053	painted	ND053 Clay	4126 Silver	3107 Silver	T201 Black	P201 Black
15	ND221	stained	ND221 Black Walnut	H201 Black	3208 Black	T201 Black	P201 Black
16	ND204	stained	ND204 Oak Mantel	H502 Copper	3456 Copper	5526 Cottage Pine	2522 Teak
17	ND227	stained	ND227 Red Oak	H502 Copper	3456 Copper	5526 Cottage Pine	2522 Teak
18	ND230	stained	ND230 Old Teak	H502 Copper	3456 Copper	5413 Walnut	2413 Walnut
19	ND211	stained	ND211 Cherry	H502 Copper	3456 Copper	5413 Walnut	P401 Cherry
20	ND237	stained	ND237 Wenge	H502 Copper	3456 Copper	5430 Mahogany	2437 Mahogany
21	ND862	stained	ND862 French Oak	H502 Copper	3456 Copper	5526 Cottage Pine	P501 Wheat
22	ND219	stained	ND219 Mahogany	H502 Copper	3456 Copper	5430 Mahogany	2437 Mahogany
23	ND229	stained	ND229 Rich Walnut	H502 Copper	3456 Copper	5413 Walnut	2413 Walnut
24	ND233	stained	ND233 Dark Mahogany	H502 Copper	3456 Copper	5430 Mahogany	2437 Mahogany
25	ND205	stained	ND205 Goldenrod	H502 Copper	3456 Copper	5526 Cottage Pine	2522 Teak
26	ND215	stained	ND215 Cordovan	H502 Copper	3456 Copper	5413 Walnut	2413 Walnut
27	ND109	stained	ND109 Weathered Teak	4126 Silver	3107 Silver	T168 Gray	P101 Gray
28	ND212	stained	ND212 Dark Teak	H502 Copper	3456 Copper	5413 Walnut	2413 Walnut
29	ND114	stained	ND114 Taupe	H502 Copper	3456 Copper	5507 Natural 5020 Alabaster	P501 Wheat
30	ND049	painted	ND049 Stone Grey	4126 Silver	3107 Silver	T168 Gray	P101 Gray
31	ND051	painted	ND051 Brown Grey	4126 Silver	3107 Silver	5120 Bark T168 Gray	P101 Gray
32	ND048	painted	ND048 Chai	H502 Copper	3456 Copper	5526 Cottage Pine	P501 Wheat

\*For Euro Style Headrail System, any of the 4 rail colors can be specified.

## Cloth Tapes & Euro Style Rail Colors

### 1" Solid cloth tape options

T001 White	5416 Chocolate	T501 Wheat
T002 Ivory	T303 Dark Mulberry	5507 Natural
T201 Black	5414 Brown	5434 Dark Sienna
T169 Gray Beige	T402 Light Cocoa	T003 Bone
T401 Cherry	T403 Ecru	5124 Dusty Gray
5462 Black Brown		

### 1" Decorative tape options

T108 Cream Foliage	T116 Olive Aztec	T117 Ochre Aztec
T112 Zebra	T115 Egyptian	T118 Ebony Aztec

Note: when decorative tapes are selected, the deco tapes will only be on the front side of the blind facing the house; for the side facing the street, the coordinated tape will be T002 Ivory.

### Euro Style Rail Colors



Copper



Brushed Aluminum



Black

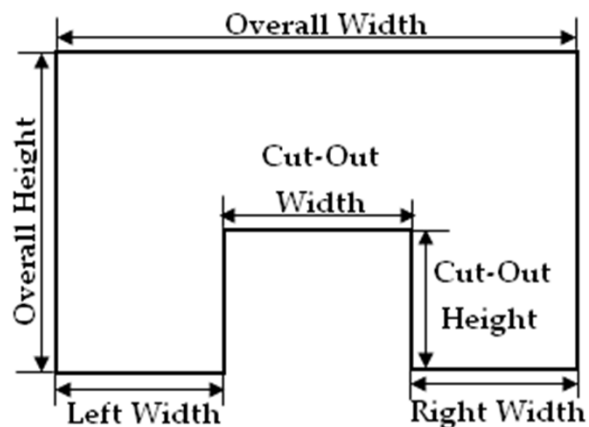
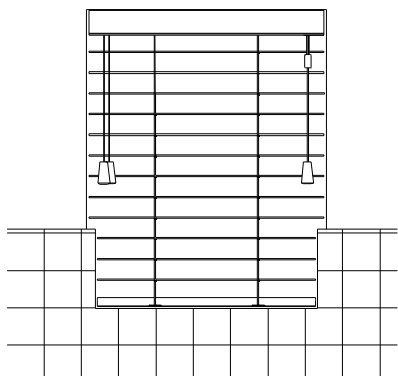


White

## Cut-outs

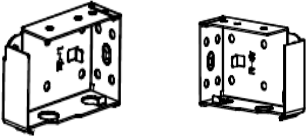

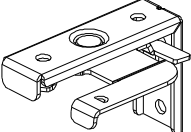
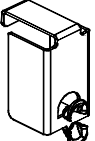
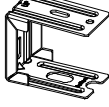
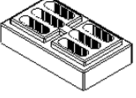
A cutout is a blind with an area removed to avoid an existing obstruction. Please provide detailed measurements of the area to be removed, which should include cut-out width, cut-out height, left width and right width.

1. Cut outs are measured when slats are at a close position.
2. We encourage customers to provide a diagram similar to the below.



Cut-out Location	Blind Width	Min Cut-out Width	Max Cut-out Width
1. Bottom Corner (Left, Right or Both) 2. Cut-out doesn't involve cutting bottom rail	Between 8" and less than 12"	1/8"	1"
	Between 12" to 18"		3"
	Wider than 18"		5"

## Parts

Parts	Drawing	Notes
<b>Mounting Bracket for Steel Headrail</b>		*Different size for 2" and 2 1/2" blinds
<b>Mounting Bracket for Euro Style Headrail</b>		*Available in 4 finishes coordinating with the rail colors.
<b>Swivel Bracket (for regular steel rail only)</b>		*Optional with a surcharge
<b>Valance Clip for Steel Headrail</b>		
<b>Center Support for Steel Headrail (for regular steel rail only)</b>		
<b>Shim</b>		*Optional with a surcharge