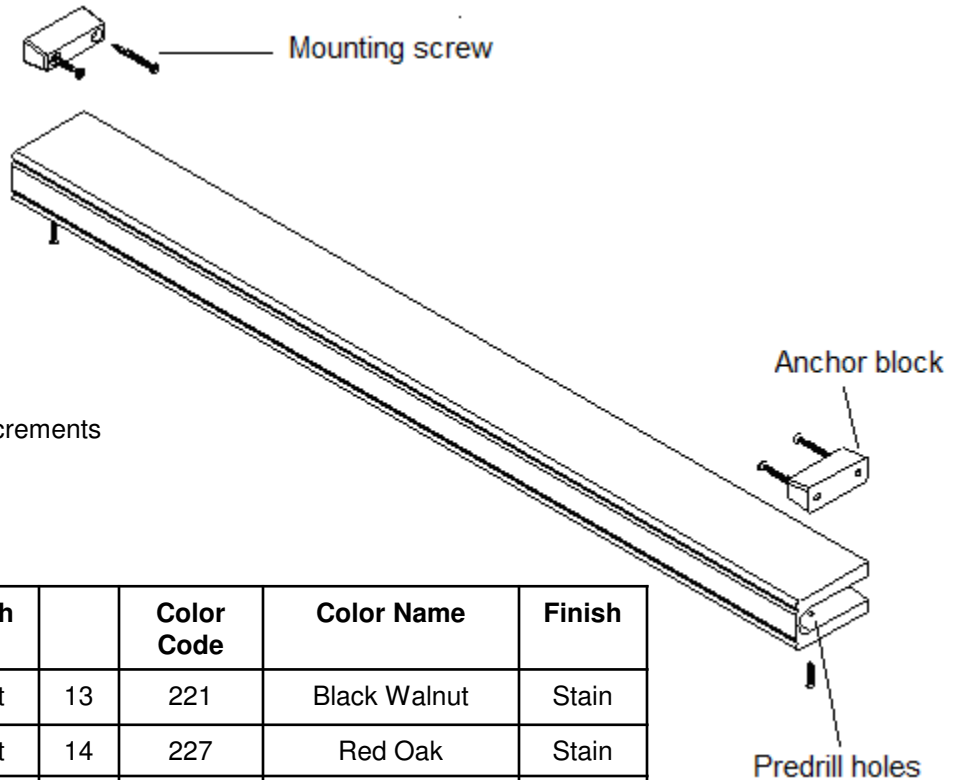


Palladian Window Shelf

Program Reference Guide

Palladian Window Shelf

The Palladian Shelf is a decorative mounting surface designed to support Norman blinds and shades in an arch or angled window.



General Specifications

- For inside mount only
- Material: Premium solid wood
- Face Width: 1 ½"
- Available Depths: from 2" to 4" in 1/8" increments
- Max Width: 96"

Available Colors

	Color Code	Color Name	Finish		Color Code	Color Name	Finish
1	001	Pure White	Paint	13	221	Black Walnut	Stain
2	003	Silk White	Paint	14	227	Red Oak	Stain
3	004	Bright White	Paint	15	229	Rich Walnut	Stain
4	006	Pearl	Paint	16	230	Old Teak	Stain
5	009	Creamy	Paint	17	231	Spring Rose	Stain
6	012	Crisp Linen	Paint	18	232	Red Mahogany	Stain
7	030	Moondust	Paint	19	233	Dark Mahogany	Stain
8	046	Ice	Paint	20	237	Wenge	Stain
9	108	Rustic Gray	Stain	21	242	Auburn	Stain
10	110	Limed White	Stain	22	249	Acorn	Stain
11	205	Goldenrod	Stain	23	250	Sumatra	Stain
12	211	Cherry	Stain				

Order Size Definition

- Palladian shelf width= Ordered width – 1/64" on each end (a total deduction of 1/32")
- Anchor block width= Palladian shelf depth – ½"

Note : Maximum weight limitation is 50.8 LB. **When Palladian Shelf is selected along with a blind/shade, please provide window opening measurements under Order Size. Height deduction on the blind/shade will be taken at the factory.**