

<u>Table of Contents</u>	<u>Page</u>
a. Features & Benefits	WL a-1
b. Colors & Louvers	WL b-1
c. Stiles	WL c-1
d. Panel Configurations	WL d-1
e. Frame Styles	WL e-1
f. General Product Specifications	WL f-1
g. Tilt Rods	WL g-1
h. Divider Rails	WL h-1
i. Hardware	WL i-1
j. Track Shutters	WL j-1
k. Special Options	WL k-1
l. Specialty Shapes	WL l-1
m. Pricing, Options & Surcharges	WL m-1
n. Appendix	WL n-1

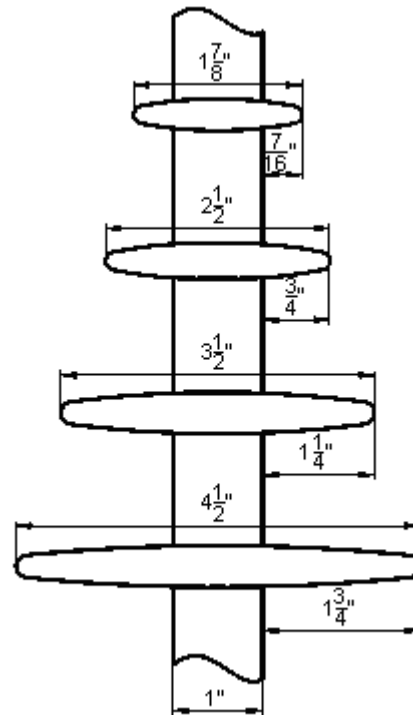
Features and Benefits

- Built around the concept of modern convenience, Woodlore PlusTM combines wood composite frames with durable ABS louvers. Wood composite materials used are harvested from well-managed forests and finished with a polypropylene coating that prevents moisture absorption and allows for easy stain removal. ABS co-polymer louvers are dimensionally stable, which **resist cupping, warping and twisting**.
- 36" wide single panel for enhanced view.
- **Reinforced engineered stiles** – Stile core durability reinforced with multiple layers of wood bonded together. The result is a robust support system for shutter panels.
- **UV inhibitor** protects shutters and home décor from UV rays, prevents color fading and sun damage.
- Multiple stile options are available in various sizes to accommodate different window configurations. **Astragal** or **Rabbit stiles** provide a natural light block between panels.
- A wide range of **frames with inserts**, which keep installation screws out of sight for a clean and decorative look, match any style and preference.
- Personalize shutters with **special options**. Choose from fixed louvers, hidden or offset tilt rods, café styles, bay and corner window shutters, track systems and many more.
- Quick and easy on-site assembly and installation with the **pre-installed magnets and hinges, pre-mitered frames** and **slotted keyholes**.
- Available in a wide array of solid colors that can satisfy your design needs.
- Specialty shapes, track systems and French door cutouts are available.

Colors & Louvers

Solid Colors	
001	Pure White
003	Silk White
004	Bright White
006	Pearl
007	Ivory Lace
008	Marshmallow
009	Creamy
011	Cameo
012	Crisp Linen
013	Bisque
016	Butter
019	String
030	Moondust
032	Sea Mist
046	Ice
048	Chai
049	Stoney Grey
051	Brown Grey
053	Clay
063	Decorator's White
836	Classic Black 10% surcharge

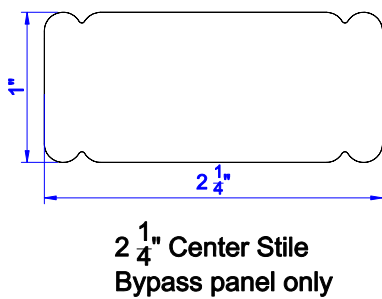
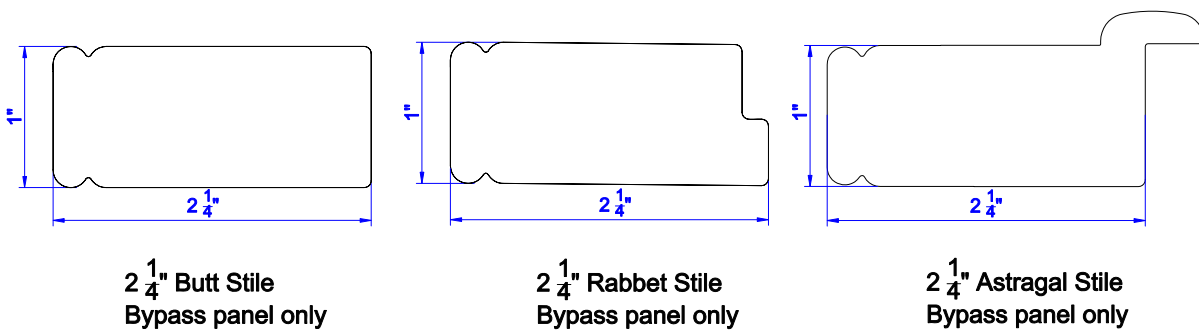
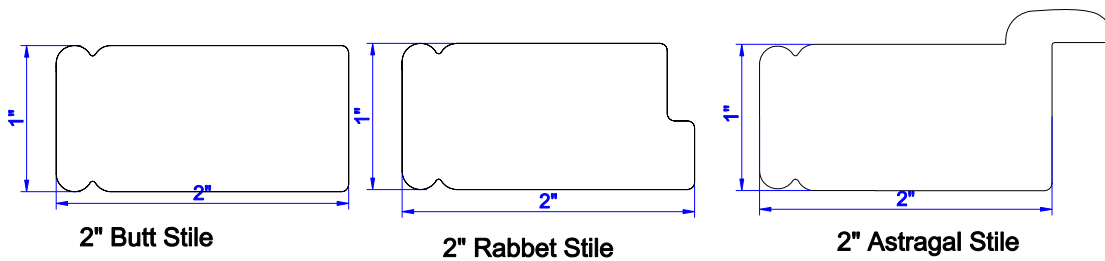
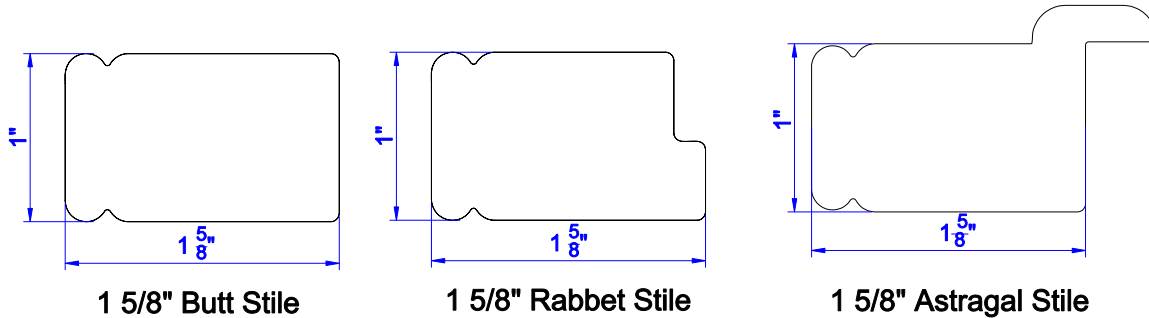
Louvers	
Elliptical	1 ⁷ / ₈ "* 2 ¹ / ₂ " 3 ¹ / ₂ " 4 ¹ / ₂ "



* Surcharge applies. Please see Options and Surcharges page for details.

Stiles

Options



Stiles (continued)

Stile between panel closure

Single panel

- I) Panel width < 9"
- Rabbeted stile (Deco frame, L frame, Z frame and Hang strip beside panel)
 - 1 5/8"
 - 2" (default)
 - Butt stile only (Hang strip behind panel)
 - 1 5/8" (Optional for panel width ≤ 12")
 - 2" (default)



- II) Panel width ≥ 9"
Butt stile only
- 1 5/8" (Optional for panel width ≤ 12")
 - 2" (default)

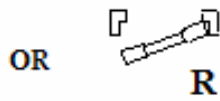
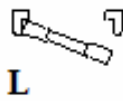


2 panels or more

- Rabbet stile
 - 1 5/8" (Optional for panel width ≤ 12")
 - 2" (default)
- Astragal stile
 - 1 5/8"
 - 2"

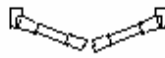
Panel Configurations

Single Panel



OR

Two Panels



LR

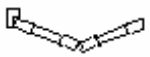
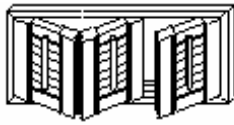


LL

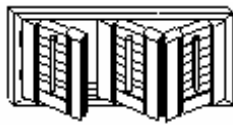


RR

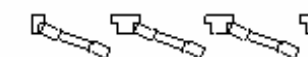
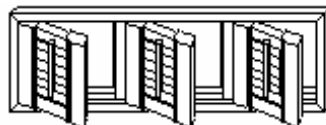
Three Panels



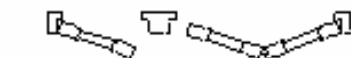
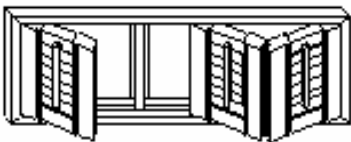
LLR



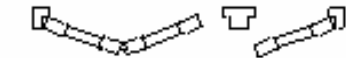
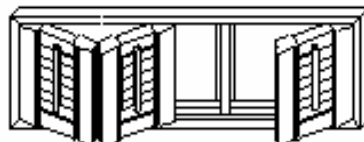
LRR



LTLTL



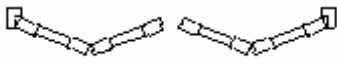
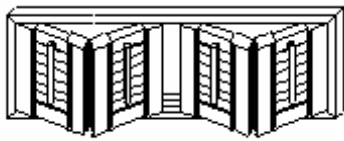
LTRR



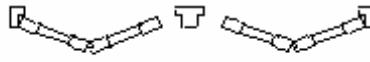
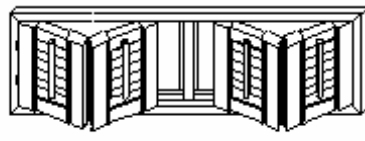
LLTR

Panel Configurations (continued)

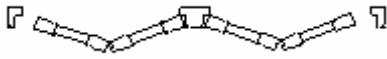
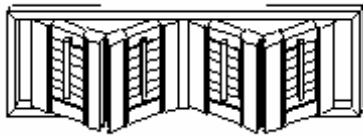
Four Panels



LLRR



LLTRR

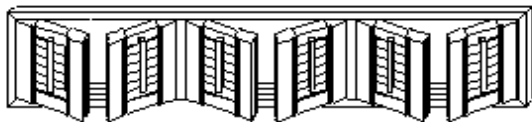


RRLL

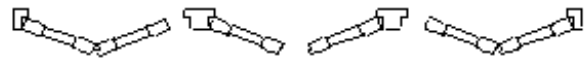


LTLRTR

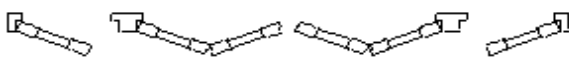
Six Panels



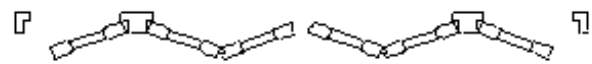
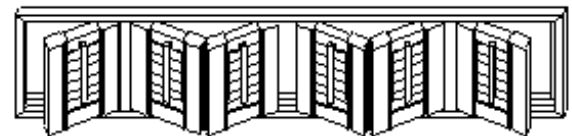
LRTLRTL



LLTLRTRR



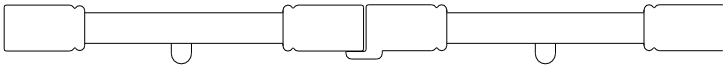
LTLRRTR



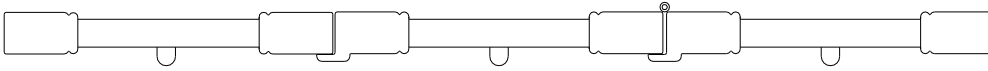
RTLLRRTL

Panel Configurations - Astragal Stile

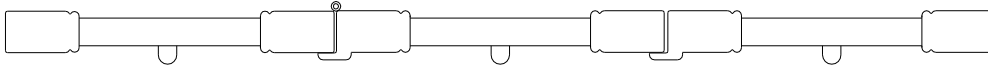
- 2 Panels - LR/LL/RR



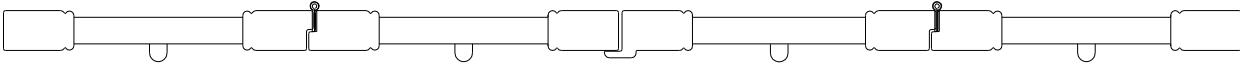
- 3 Panels - LRR



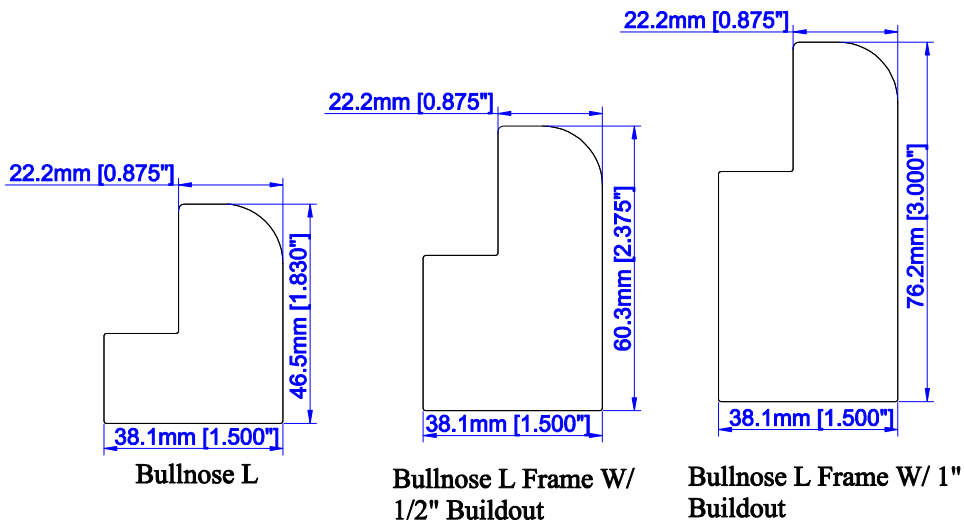
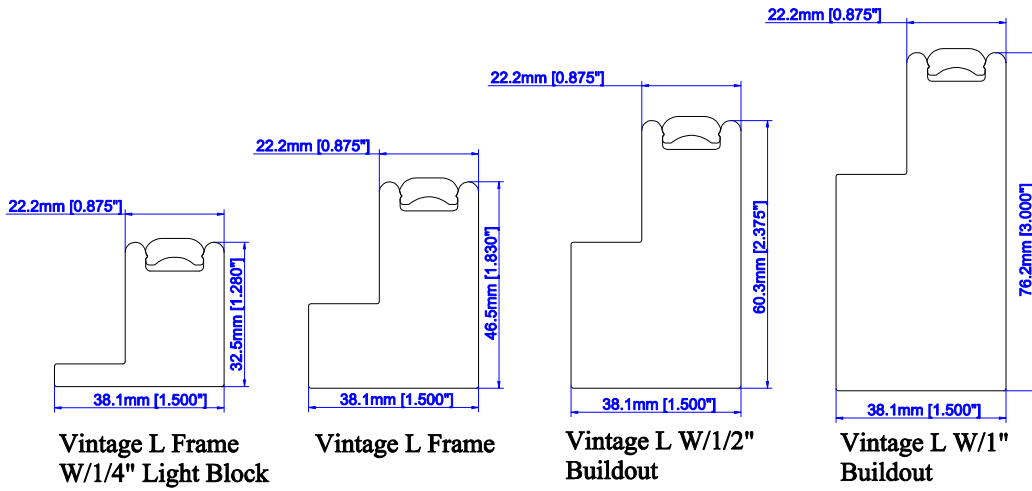
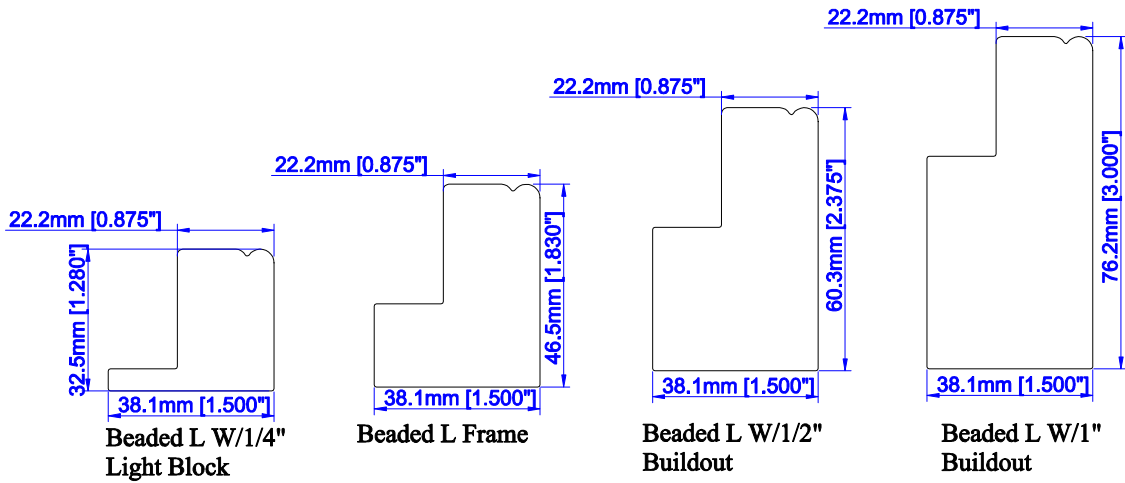
- 3 Panels - LLR



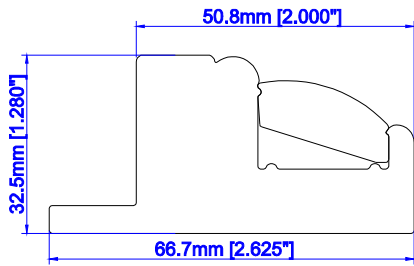
- 4 Panels - LLRR



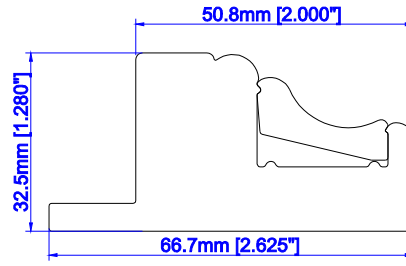
Woodlore-[PLUS][™]



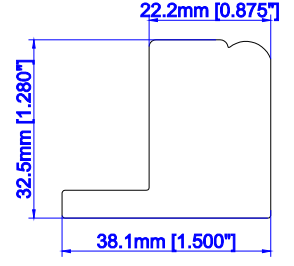
Woodlore-[PLUS][™]



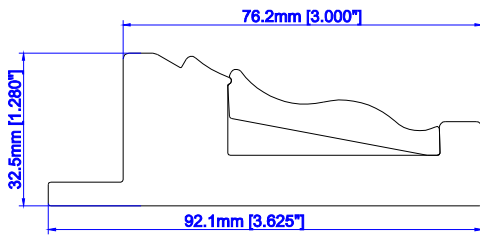
2" Camber Deco Frame



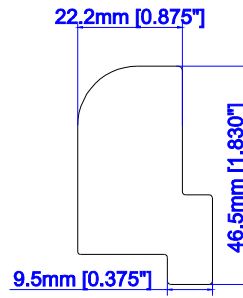
2" Classic Deco Frame



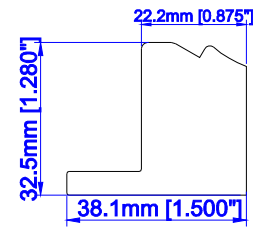
2" Deco Sill Plate



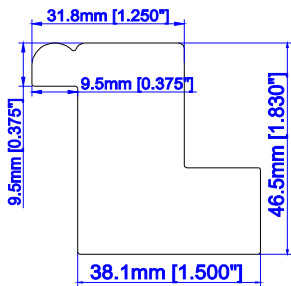
3" Ridge Deco Frame



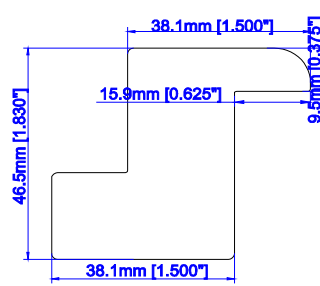
Tilt Out Z Frame



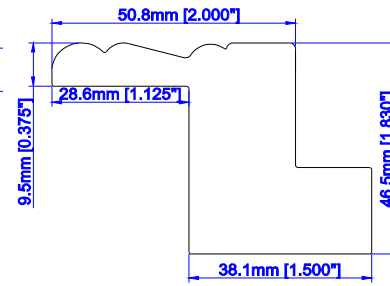
Ridge Deco Sill Plate



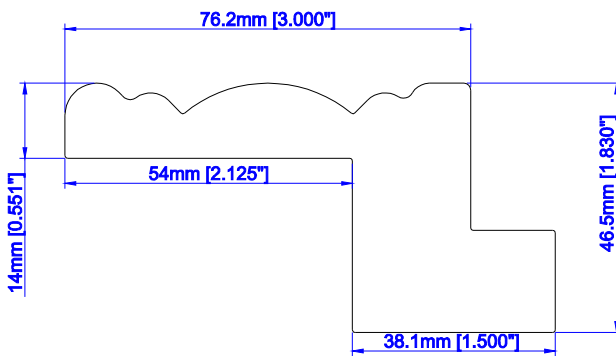
1 1/4" Beaded Z Frame



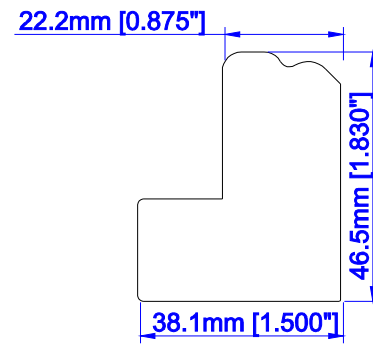
1 1/2" Bullnose Z Frame



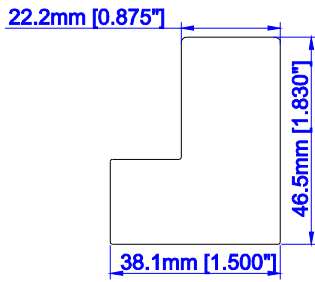
2" Bel Air Z Frame



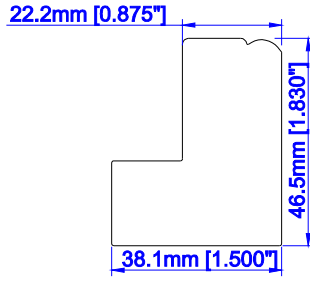
3" Crown Z Frame



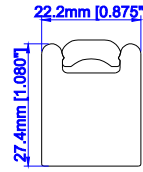
3" Crown Z Sill Plate



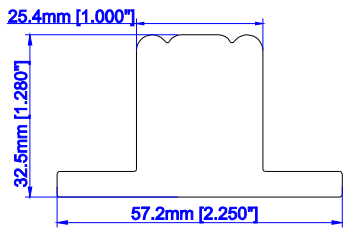
**1 1/2" Bullnose Z
1 1/4" Beaded Z
Sill Plate**



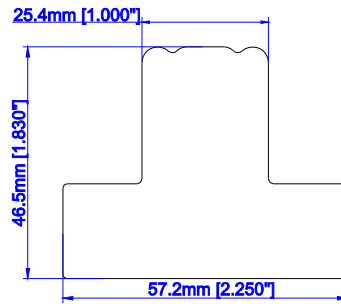
2" Bel Air Z Sill Plate



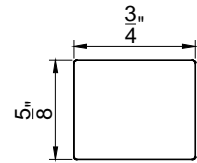
Vintage Hang Strip



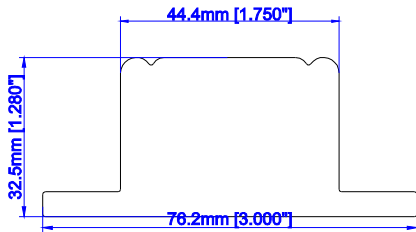
**1" T Post W/ 1/4" Light Block
(Deco)**



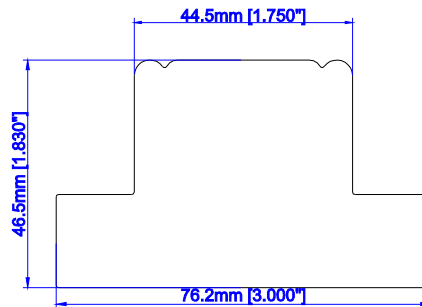
**1" T Post W/ 3/4" Light Block
(L/Z/HS)**



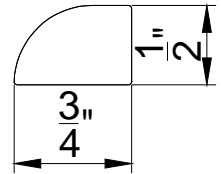
Light Block



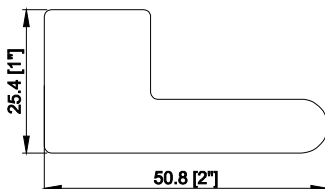
**1 3/4" T Post W/ 1/4" Light
Block (Deco)**



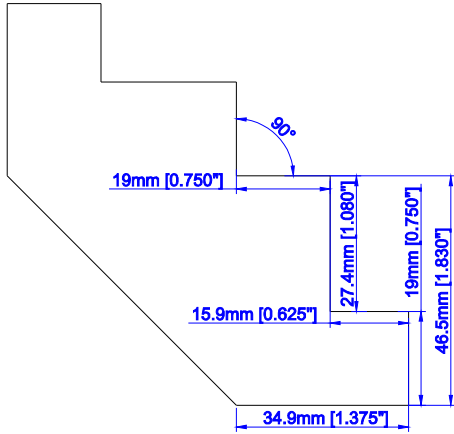
**1 3/4" T Post W/ 3/4" Light
Block (L/Z/HS)**



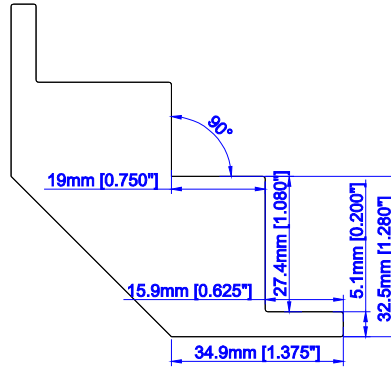
Scribe Trim



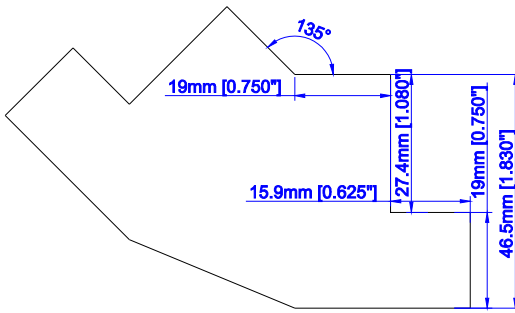
2" Sill Plate



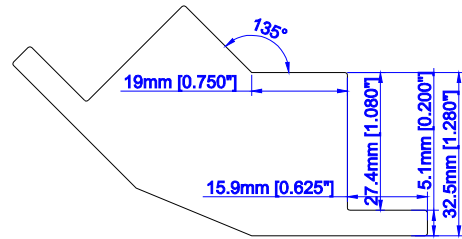
Corner Post W/ 3/4"
Light Block (L/Z/HS)



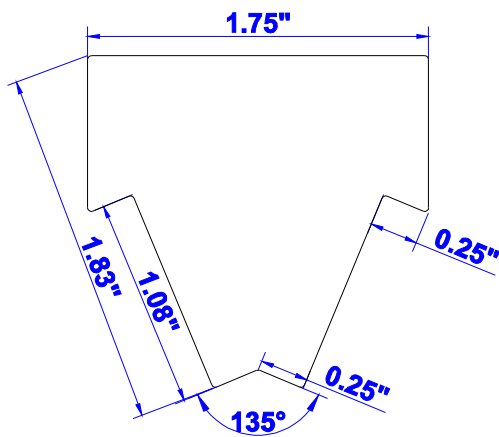
Corner Post W/ 1/4"
Light Block (Deco)



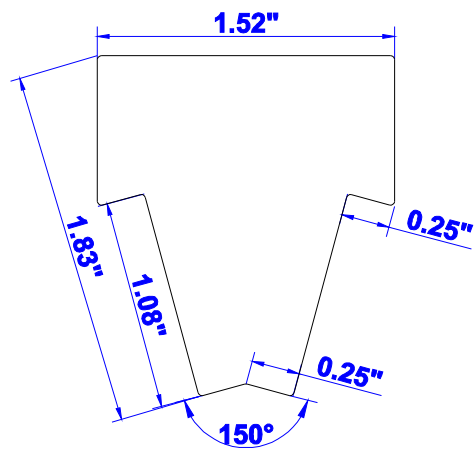
Bay Post W/ 3/4"
Light Block (L/Z/HS)



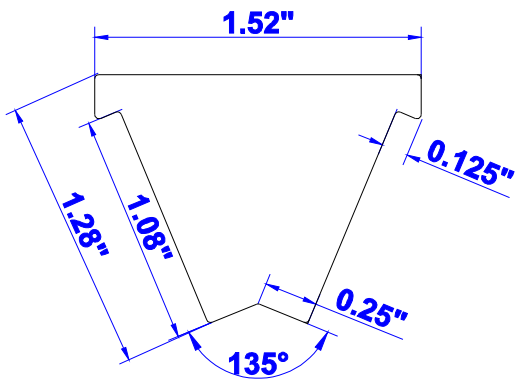
Bay Post W/ 1/4"
Light Block (Deco)



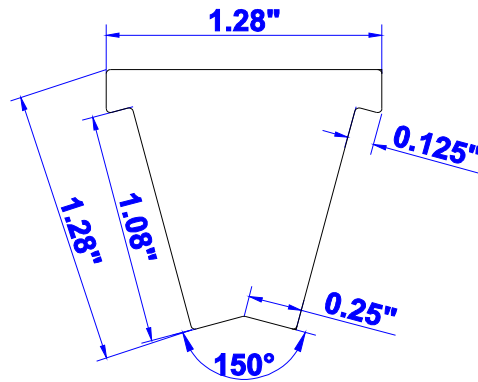
Slim Fit Bay Post for 135 Degree
(L/Z/HS)



Slim Fit Bay Post for 150 Degree
(L/Z/HS)



Slim Fit Bay Post for 135 Degree (D)

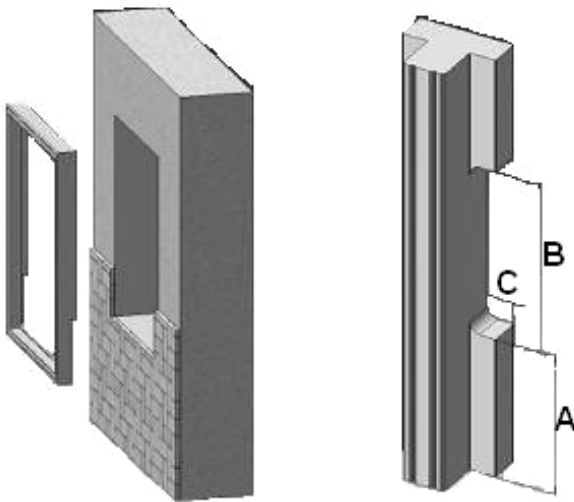


Slim Fit Bay Post for 150 Degree (D)

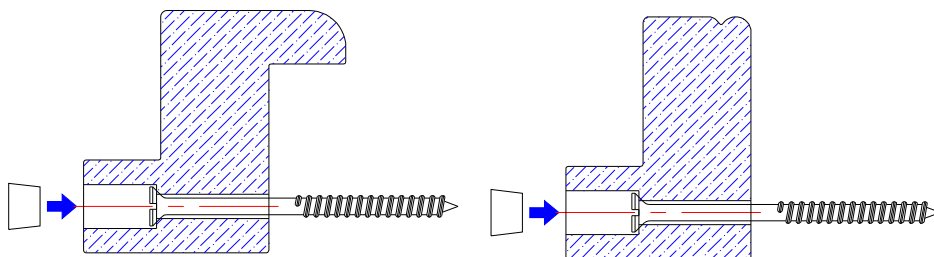
Notch out*:

- L Frame
- T Post

Specify dimensions in special instruction box.



Pre-drill L or Z Frames:



General Product Specifications

<u>Description</u>	<u>Minimum</u>	<u>Maximum</u>
Single Panel Width (Regular)	6"	36" for 2½", 3½", 4½" louver; 24" for 1 7/8" louver
Single Panel Width (Bifold)	6"	24"
Single Panel Width (Bifold Track)	6"	24"
Single Panel Width (for Bypass Panel With Center Stile)	6"	36"-50" for 2 1/2", 3 1/2", 4 1/2" louver. 24" - 48" for 1 7/8" louver.
Single Panel Height	10"	133"
Shutter Width (Without T Post)	N/A	96" + frame
Shutter Width (With T Post)	N/A	Unlimited (frame pieces exceeding 142" will be spliced)
Shutter Height	N/A	133" + frame

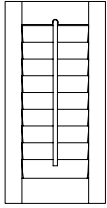
Shutters without bottom supports

Woodlore+ Shutters without bottom supports may sag and deform. Therefore, we strongly discourage the use of shutters for this application. We will continue to manufacture these shutters; however, they will not be covered under our warranty and will be subject to the guidelines listed below:

All Woodlore+ panel configurations:

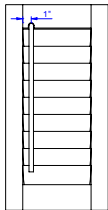
- You must inform Norman Window Fashions of situations where shutters will not have bottom support when placing the initial order.
- Informing Norman when placing such orders ensures that the factory will add extra hinges to support the panel. This will reduce the probability of the panels sagging and increase shutter integrity. You must release Norman Shutters from liability in these situations.
- If you fail to notify Norman that the shutter will be used without bottom support, this will constitute a misapplication of the shutter. Consequently, you will be responsible for the cost of any RGA that is submitted.
- If you want a bifold shutter, a track must be ordered to support the panels. Without a track, Norman will not manufacture the order even with liability waived.

Tilt Rods



Standard Tilt Rod
Default Location

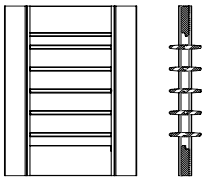
In the middle of the panel on front side (default).



Offset Tilt Rod*
Default Location

On the front side of the panel and at 1" from the louver ends on the hinged side.
Optional location: per your request.

InvisibleTiltTM *



Louver tilting system embedded within panel stile. It is not available for 1⁷/₈" louver. The tilting system is split when the number of louvers exceeds the limits as listed below:

Louver Size	Maximum Possible Louvers	Height Range
2½"	21	47 ¾" – 55 ¼"
3½"	14	45 ¾" – 53 ¼"
4½"	10	47 ¾" – 55 ¼"

- For even numbers of louvers, the number of louvers operated by the top and the bottom tilting system will be the same.
- For odd numbers of louvers, the number of louvers operated by the bottom tilting system will be one more than the number of louvers operated by the top tilting system.
- Minimum panel width is changed to 8 11/16"

* Surcharge applies. Please see Options and Surcharges page for details.

Divider Rails

- A divider rail is an extra rail in the middle of the panel.
- Creates two sections in the panel so louvers can be operated independently.
- Strengthens the panel and enhances structural integrity.
- Required for panel heights over 78"

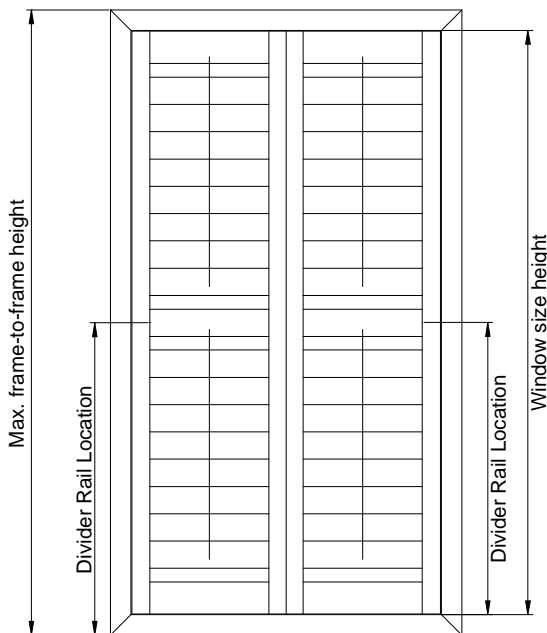
Specifications

- Standard width: 3"
- Default location: center of the panel unless specified otherwise

Measurements:

- Window size:
 - Measure from the bottom of the window to the center of the divider rail.
- Max frame-to-frame:
 - Measure from the bottom of the frame to the center of the divider rail.
- Position:
 - Per customer's specification. However, the divider rail may be adjusted to a lower or higher position, within our allowable deviation, to ensure reinforcement and aesthetics of the shutter.

When placing the order, please clearly specify if the divider rail position needs to line up with that of other shutter divider rails in the same room. Please also refer to the table below for the allowable deviation details.



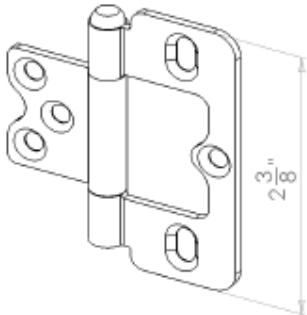
Divider rail allowable deviations

Louver Size	Allowable ± Deviation
1 ⁷ / ₈ "	³ / ₄ "
2 ¹ / ₂ "	1"
3 ¹ / ₂ "	1 ¹ / ₂ "
4 ¹ / ₂ "	2"

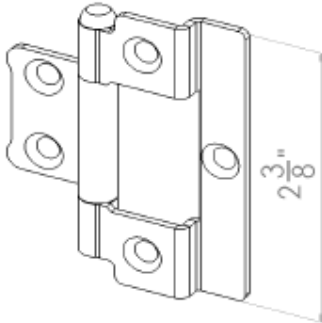
Hardware

Hinges

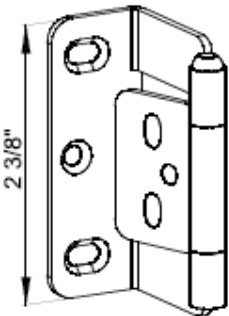
Self-Mortise Hinge



Bi-fold Hinge



L Hinge

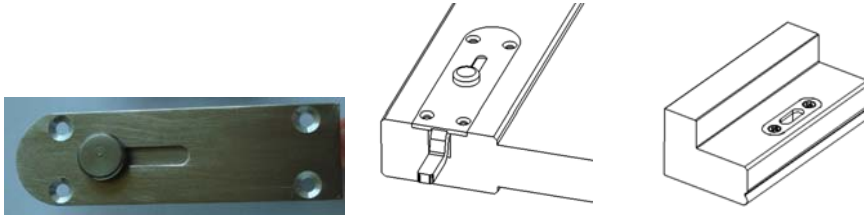


Hinges are available in :
Silk White, Bisque, Pearl, Bright Brass, Antique Brass, Black, Nickel plated and Stainless Steel *

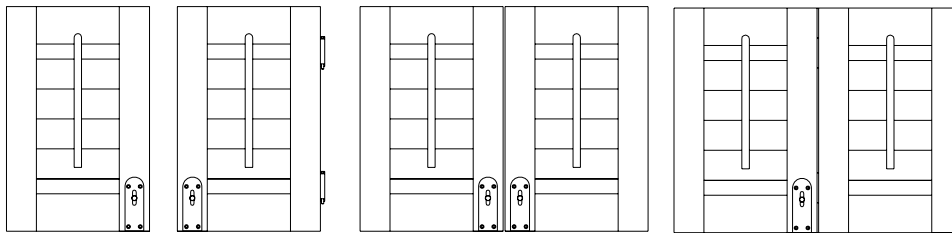
* Surcharge applies. Please see Options and Surcharges page for details.

Panel Lock: (not available for 1.625" Stile)

Available Material: All



Position: (Only available on Bottom for Track Shutters with Bottom Track; For Regular, available on Top/Bottom/both Top and Bottom)

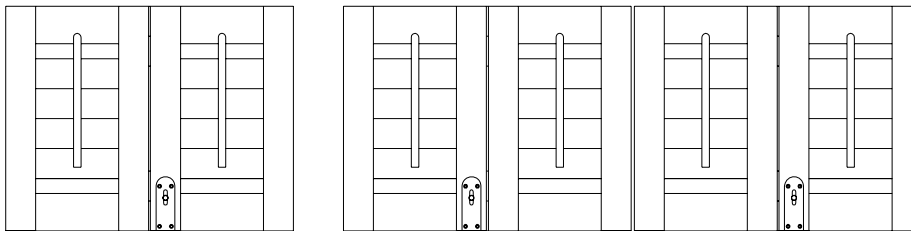


Panel Config: L

Panel Config: R

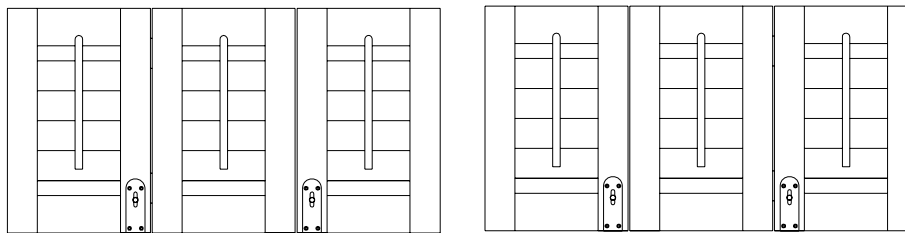
Panel Config: LR

Panel Config: LL



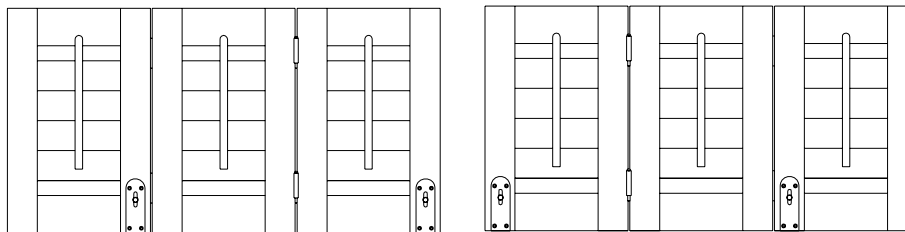
Panel Config: RR

Panel Config: LLRR



Panel Config: LLR

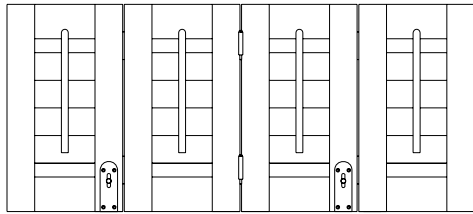
Panel Config: LRR



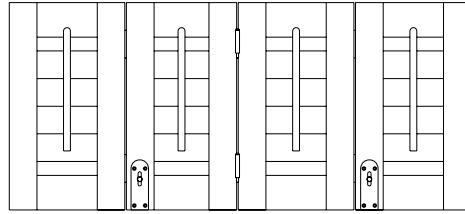
Panel Config: LLL

Panel Config: RRR

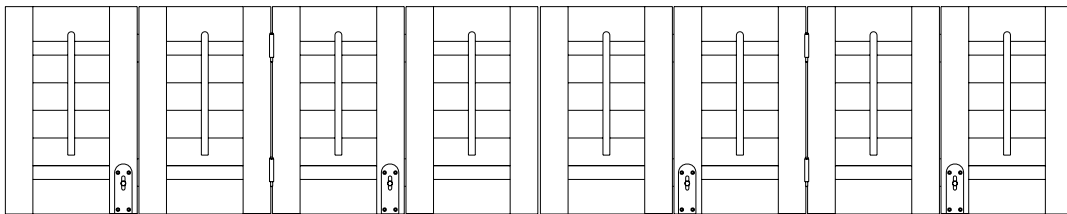
Woodlore [PLUS]™



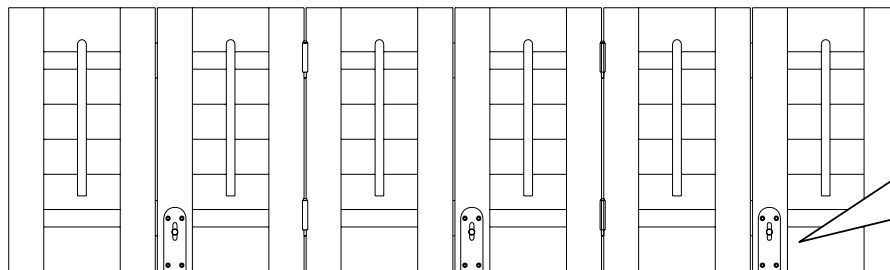
Panel Config: LLLL



Panel Config: RRRR



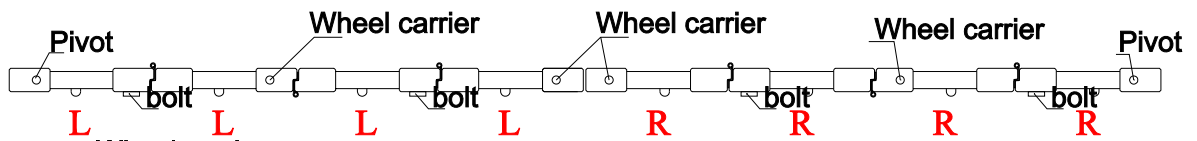
Panel Config: LLLLRRRR



Panel Config: FFFFFFF(R)

Default:
Floating panels
stacked to Right

The Panel Lock location for both track system shutters and regular shutters would be the same. The general principle is that the Panel Lock position will avoid the stile which will install the spring-loaded guide at bottom (same stile as the Wheel carrier).



Ring Pull

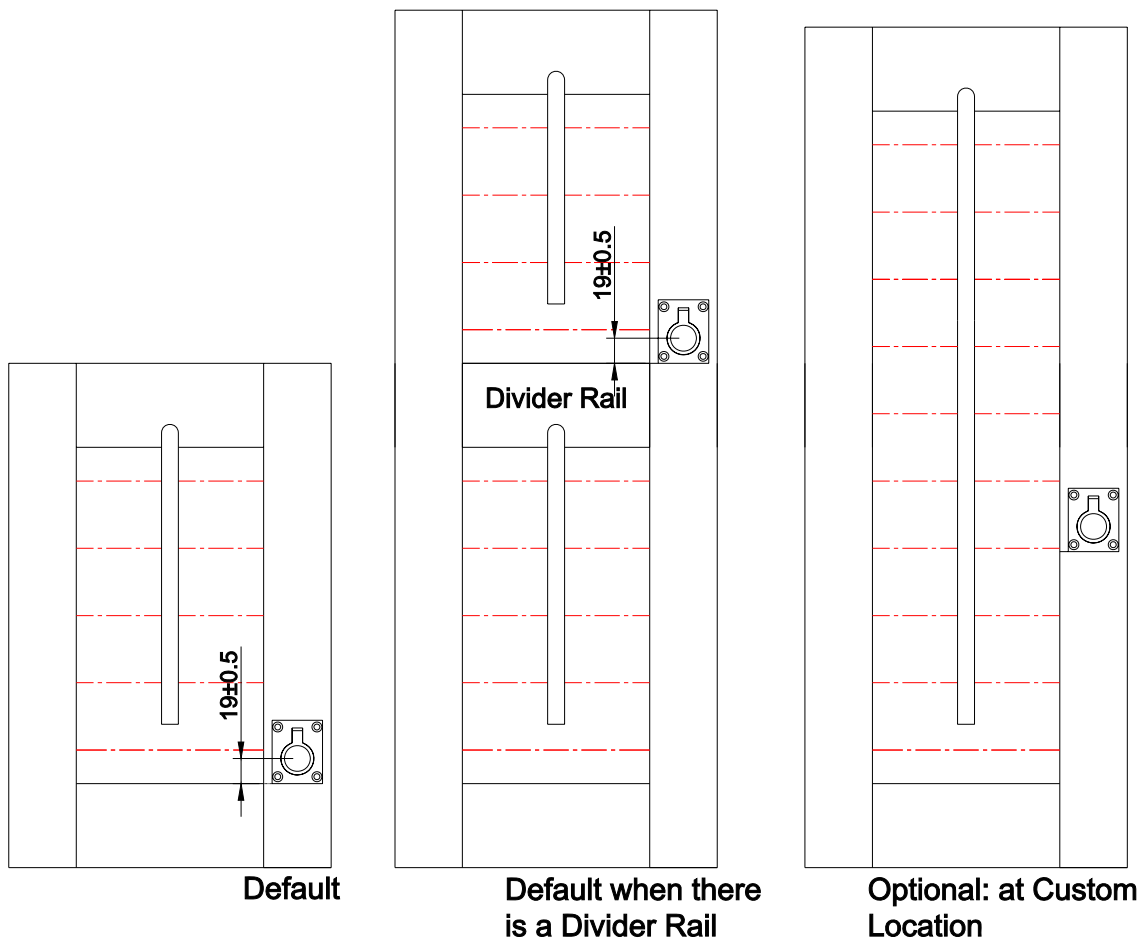
for easy opening and closing (only available in stainless steel)

(Not available for 1.625" Stile)

Available Material: ALL



Position: For different panel configuration, please refer to the location of Panel Lock to show on which stile the pull will be fixed.



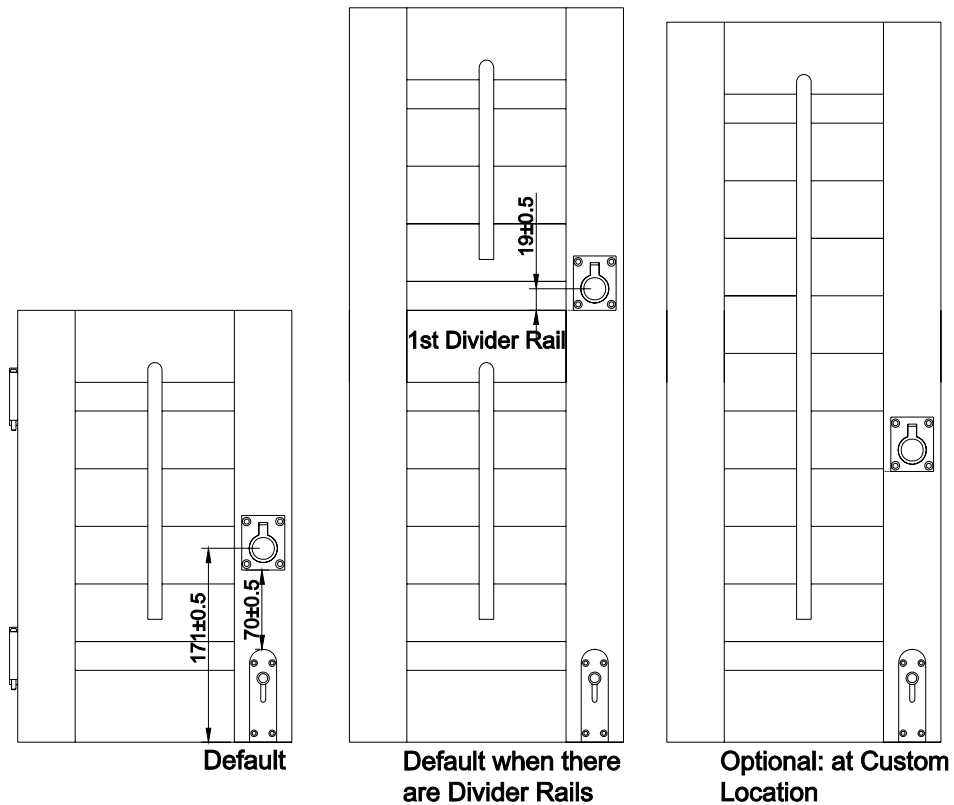
Woodlore [PLUS]TM

Position:

- A. Above Bottom Rail (Default)
- B. Above 1st Divider Rail (Default when there are Divider Rails)
- C. Custom Location

If both Panel Lock & ring pull are specified, the distance between them is 70mm, and the ring pull location is 171mm from the bottom of panel.

When there is no mid rail, ring pull will be just on the top of Panel Lock (70mm above Panel Lock) as default location; if there are mid rails, bottom of ring pull lines up with top of the 1st mid rail as default location.



Woodlore [PLUS][™]

Position:

- A. 70mm Above Panel Lock (Default when both Ring Pull and Panel Lock are specified)
- B. Above 1st Divider Rail (Default when there are Divider Rails)
- C. Custom Location

Measurements:

- Window size:
 - Measure from the bottom of the window to the center of the ring pull.
- Max frame-to-frame:
 - Measure from the bottom of the frame to the center of the ring pull.

Side Magnet: Only available for Butt and Astragal stile

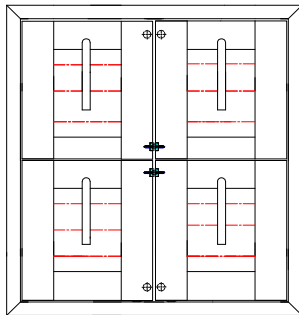


This option is applied to the meeting stiles of LR panels.

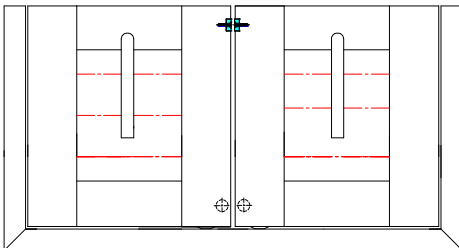
Application to following condition:

1. Double Hung shutter without horizontal T post:

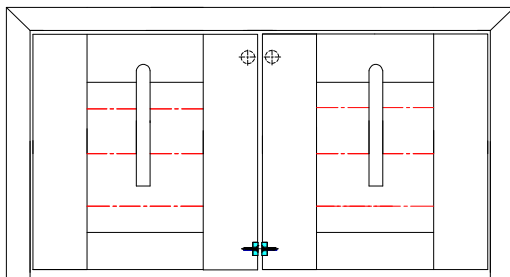
The side magnet will be installed on the top of bottom tier and bottom of top tier.



2. Café Shutter



3. No frame or light block or L-shape striker plate on either top or bottom, or if larger than standard top or bottom gap is requested.



Track Shutters—Bifold

Guidelines and Specifications:

<u>Description</u>	<u>Minimum</u>	<u>Maximum</u>
Single-Panel Width (Bifold Track)	6"	24"
Single-Panel Height	10"	133"

Outside Mount

Max frame-to-frame width: window width + 3"

Max frame-to-frame height: window height + 4½"

Semi-Inside Mount

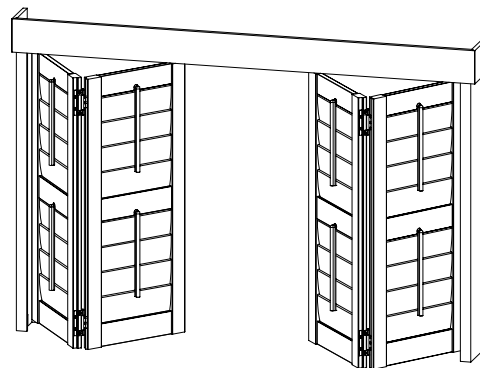
Max frame-to-frame width: window width - 1/8"

Max frame-to-frame height: window height + 1³/₈"

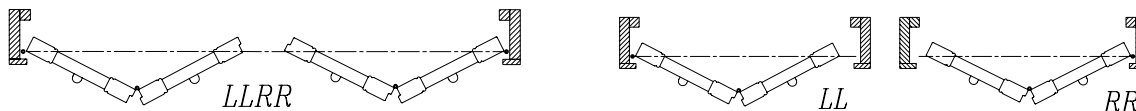
Inside Mount

Max frame-to-frame width: window width - 1/8"

Max frame-to-frame height: window height - 1/8"



Panel Configuration:

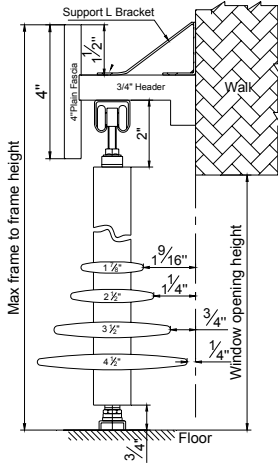


The max frame-to-frame height measurement should be from the floor to the top of the fascia, and the width measurement should be from the left side frame to the right side frame.

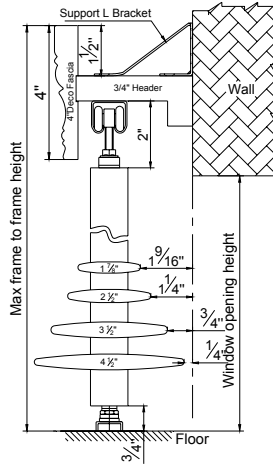
- Track is pre-installed on the header; standard 1 track only.
- Wheel carrier bracket and top pivot are pre-installed on the panel.
- Top pivot bracket, wheels and buffers will be installed in the track.
- Support L brackets on header are provided for OM boxout.

Track Shutters—Bifold

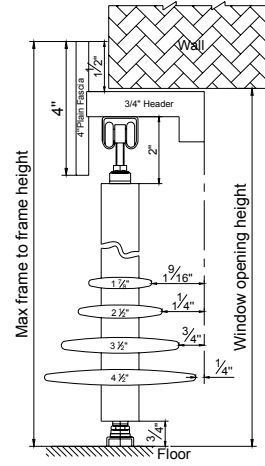
Mounting Options



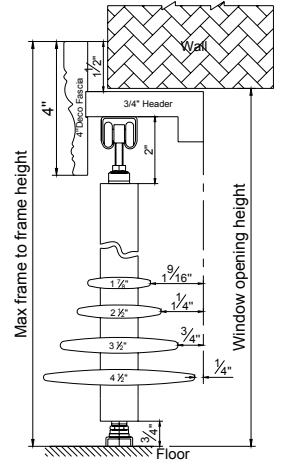
Plain Boxout



Deco Boxout



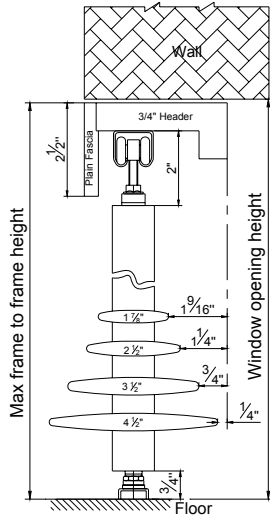
Plain Boxout



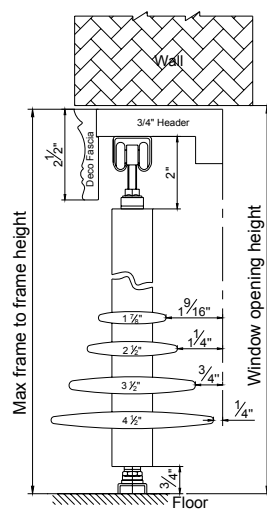
Deco Boxout

Outside Mount

Semi-Inside Mount



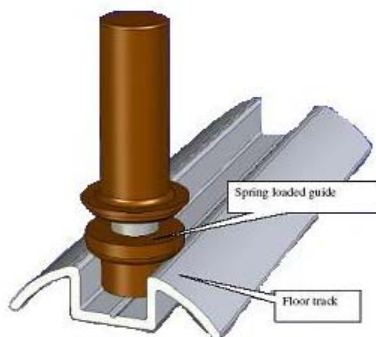
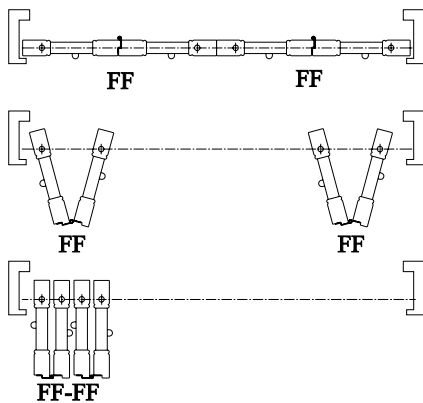
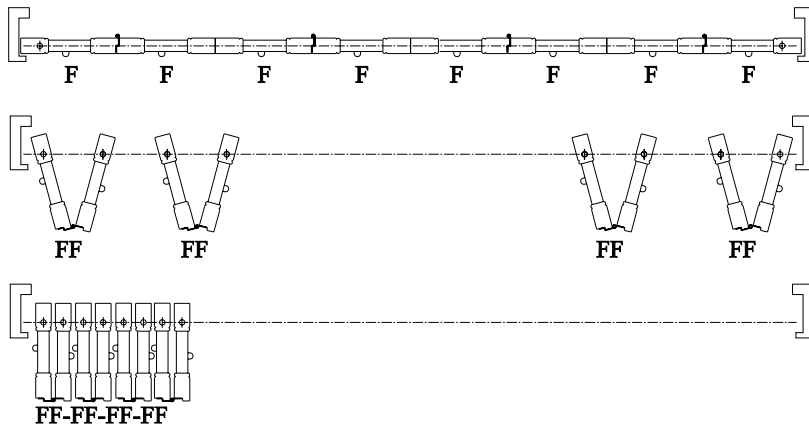
Plain Boxout



Deco Boxout

Inside Mount

Floating Panels *



Outside Mount Bottom Track

- Two or four panels can be hinged together, fold and slide to either direction
- Application comes with wheel carrier, spring loaded guide and floor track
- Can be used on large window

* Surcharge applies. Please see Options and Surcharges page for details

Track Shutters—Bifold

Track Shutters Framing Materials

Framing	Size	Pc(s)
L Shape Header (2 in 1) Header with Supporting Strip	Header $\frac{3}{4}$ " x $3\frac{1}{2}$ "* (Default) $\frac{3}{4}$ " x $4\frac{1}{2}$ "* or $5\frac{1}{2}$ "* (Optional) Custom * \leq 8"	1 pc
	U Shape Side Frame (3 in 1) Side Frame with Supporting Strip & Side Fascia	
Top Fascia (Plain/Deco)	4" (semi-inside and outside mount) 2 $\frac{1}{2}$ " (inside mount)	1 pc
Top Fascia Return	4" (semi-inside and outside mount) N/A (inside mount)	2 pcs

* L Shape Header and U Shape Side Frame are only available in 3 $\frac{1}{2}$ ", 4 $\frac{1}{2}$ " and 5 $\frac{1}{2}$ ". For other sizes, these framing materials come in separate pieces.

* If framing material in separate pieces is preferred for 3 $\frac{1}{2}$ ", 4 $\frac{1}{2}$ " and 5 $\frac{1}{2}$ ", please state clearly under the Special Instructions section of the order form.

Track Shutters—Bifold

Hardware Box

Hardware Box	
Part	Qty
Wrench	2
Hinge Pin	According to number of hinges
Bottom Pivot Bracket	1 for panels folding in one direction
	2 for panels folding in both directions
1 1/2" screws for bottom pivot bracket	1 screw for each bottom pivot bracket
3/4" screws for bottom pivot bracket	3 screws for each bottom pivot bracket
Touch up paint	1
Support L Bracket (based on the length of header)	Header Length: Less than 90" - 2 brackets included 90"~120" - 3 brackets included 120"~150" - 4 brackets included For header length 150" and above, 1 bracket will be added for each additional 30".

Track Shutters—Bypass

Guidelines and Specs:

<u>Description</u>	<u>Minimum</u>	<u>Maximum</u>	
		1 7/8"	2 1/2" 3 1/2" / 4 1/2"
Single-Panel Width (Regular)	6"	24"	36"
Single-Panel Width (for Bypass with Center Stile)	6"	24" ~ 48"	36" ~ 50"
Single-Panel Height	10"	133"	133"

Outside Mount

Max frame-to-frame width: window width + 3"

Max frame-to-frame height: window height + 4 1/2"

Semi-Inside Mount

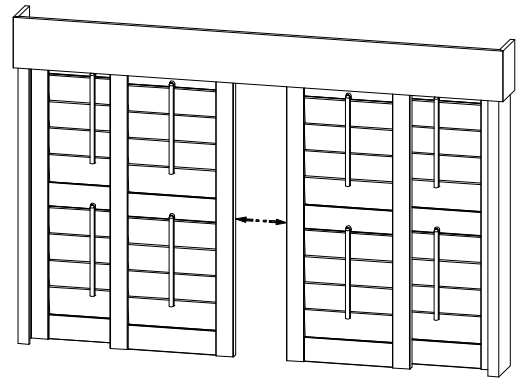
Max frame-to-frame width: window width - 1/8"

Max frame-to-frame height: window height + 1 3/8"

Inside Mount

Max frame-to-frame width: window width - 1/8"

Max frame-to-frame height: window height - 1/8"



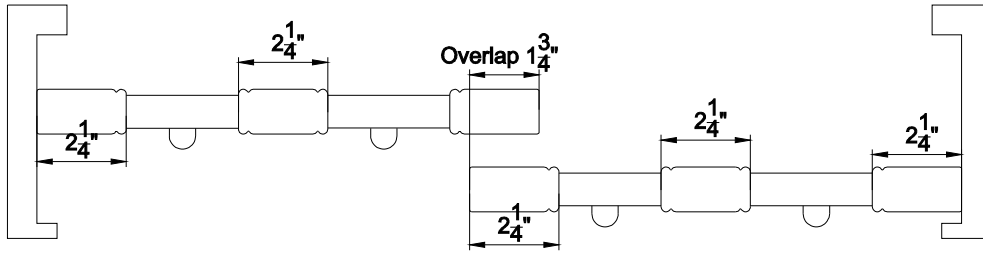
The max frame-to-frame height measurement should be from the floor to the top of the fascia, and the width measurement should be from the left side frame to the right side frame.

- Tracks are pre-installed on the header; standard 2 tracks only.
- Wheel carrier bracket and bottom guide are pre-installed on the panel.
- Wheels and buffers will be installed in the track.
- Support L brackets are provided for OM boxout.

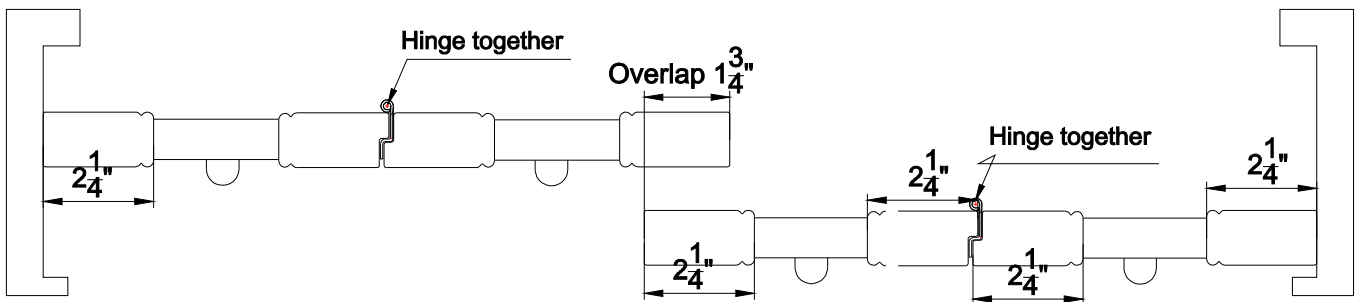
Track Shutters—Bypass

Closed Bypass

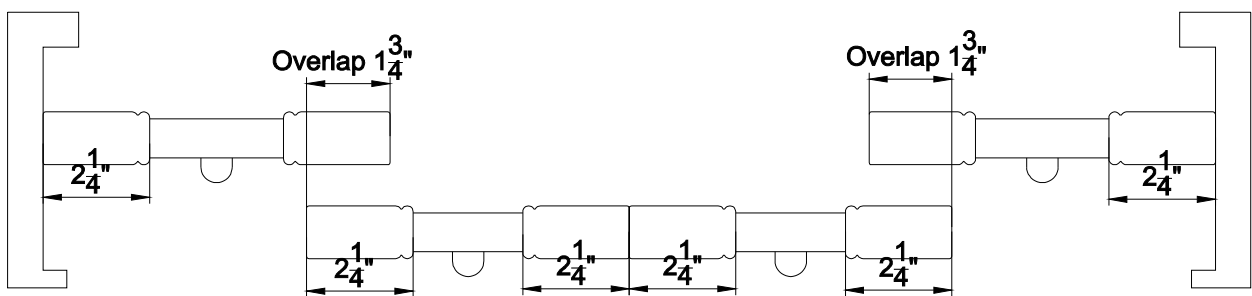
Panels with center stile (optional)



For shutters with 4 or more panels, please select "side open" or "center open" .



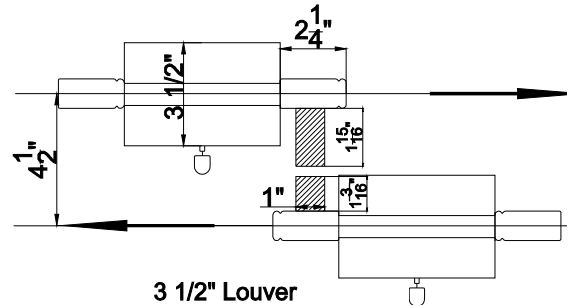
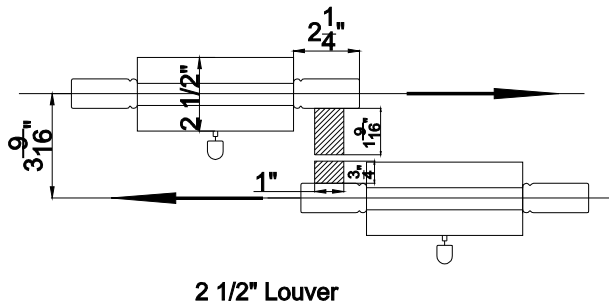
Side Open



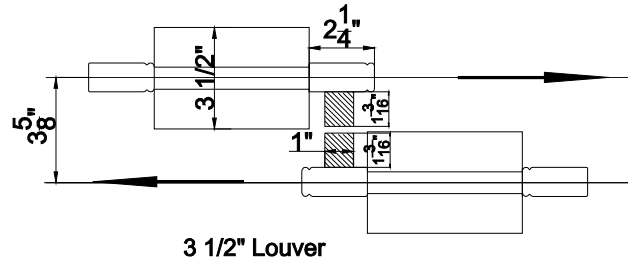
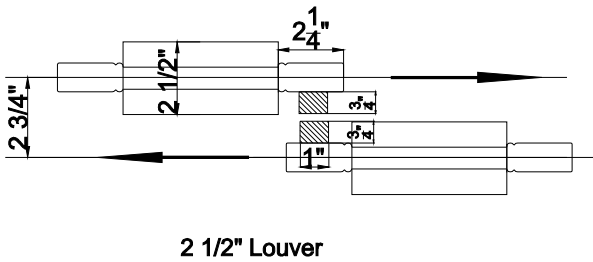
Center Open

Opened Bypass

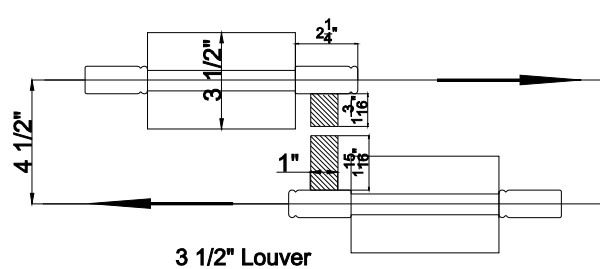
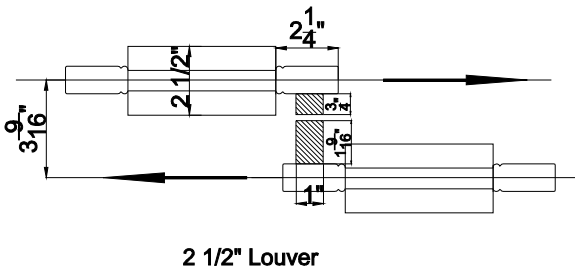
Bypass panels with **Regular Tilt Rod**
—for U shape/ interlocking bottom guide*



Bypass panels with **InvisibleTilt™**
—for U shape bottom guide*



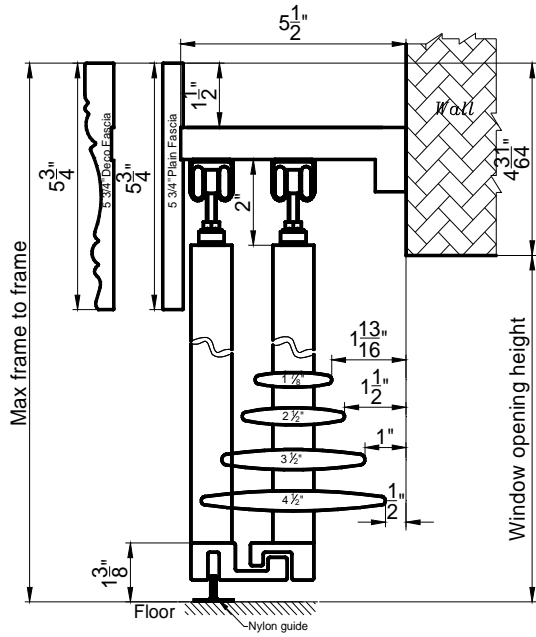
Bypass panels with **InvisibleTilt™**
—for interlocking bottom guide*



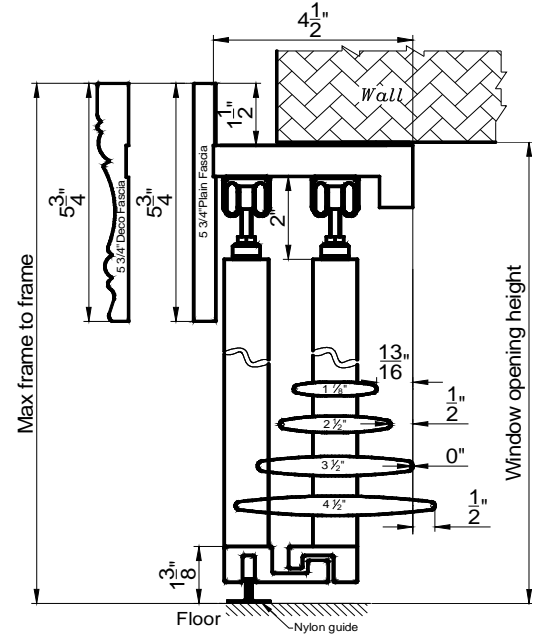
* Surcharge applies. Please see Options and Surcharges page for details

Track Shutters—Bypass Woodlore [PLUS][™]

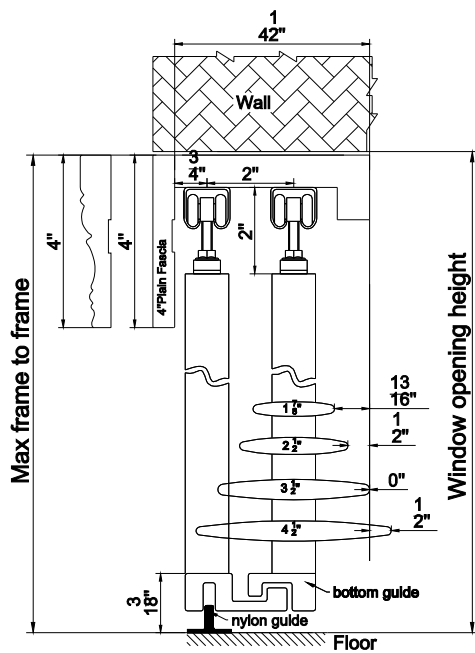
Mounting Options (Closed Bypass)



Outside Mount



Semi-Inside Mount



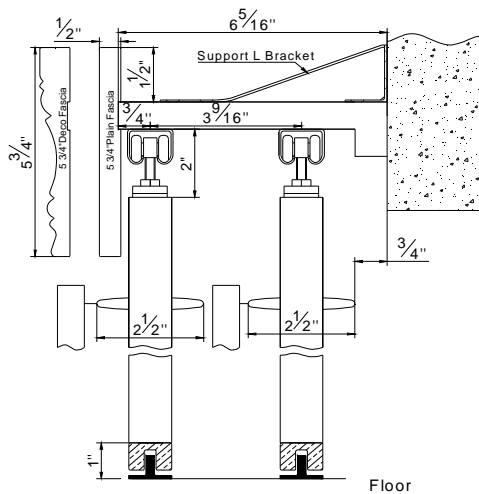
Inside Mount

Track Shutters—Bypass

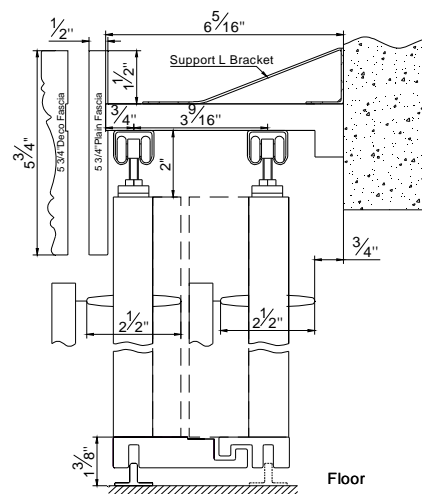
Mounting Options (Opened Bypass)*

- Only available in 2 ½" and 3 ½" louver sizes

2 ½" Louver (Outside Mount)

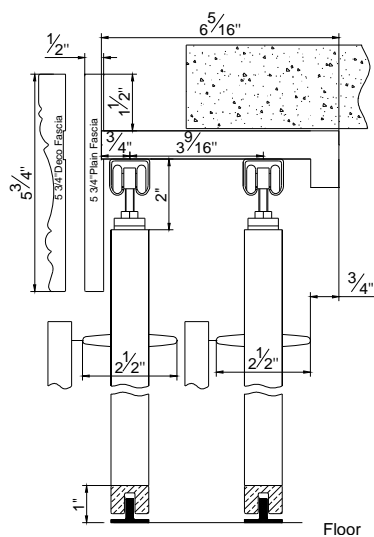


Default Bottom Guide

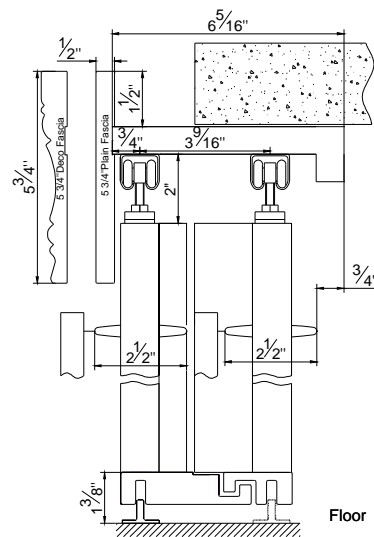


Optional Interlocking Bottom Guide*

2 ½" Louver (Semi-Inside Mount)



Default Bottom Guide



Optional Interlocking Bottom Guide*

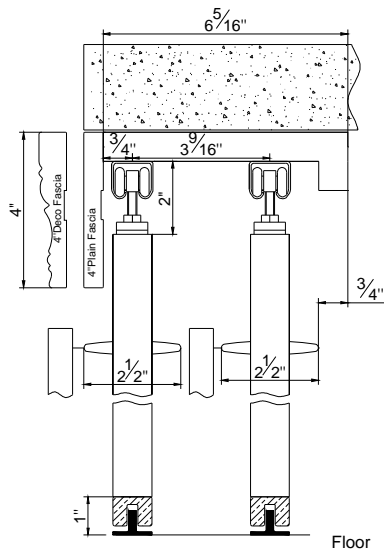
* Surcharge applies. Please see Options and Surcharges page for details.

Track Shutters—Bypass

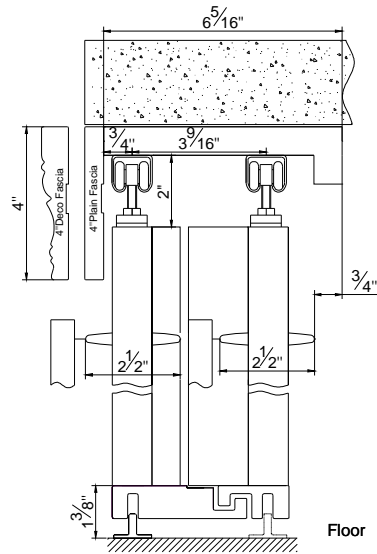
Mounting Options (Opened Bypass)*

- Only available in 2 ½" and 3 ½" louver sizes

2 ½" Louver (Inside Mount)



Default Bottom Guide



Optional Interlocking Bottom Guide*

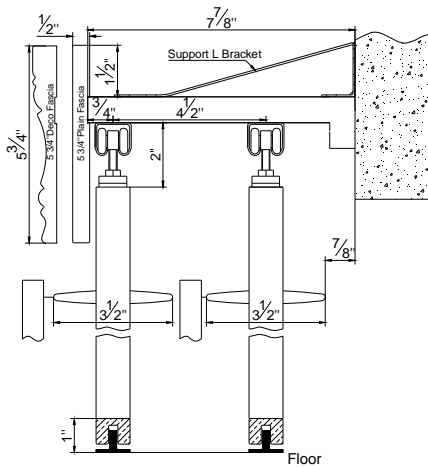
* Surcharge applies. Please see Options and Surcharges page for details

Track Shutters—Bypass

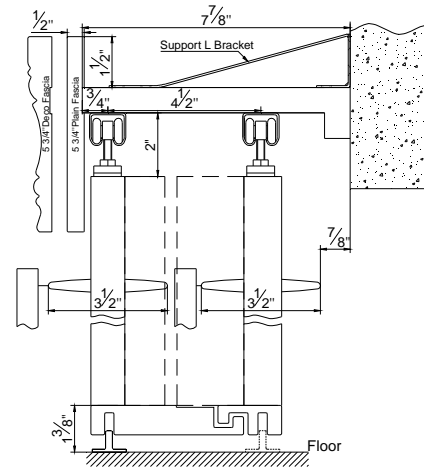
Mounting Options (Opened Bypass)*

- Only available in 2 ½" and 3 ½" louver sizes

3 ½" Louver (Outside Mount)

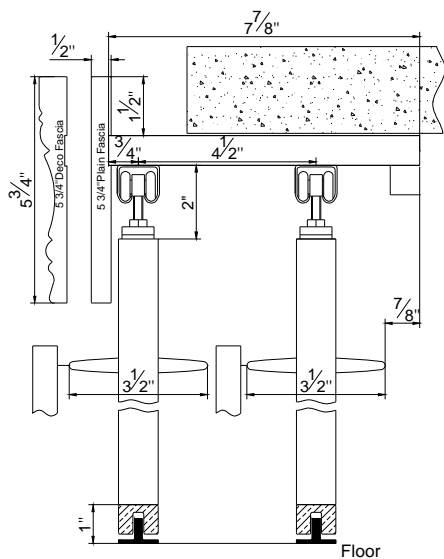


Default Bottom Guide

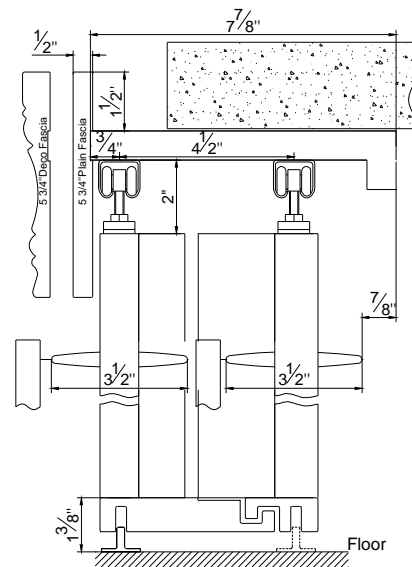


Optional Interlocking Bottom Guide*

3 ½" Louver (Semi-Inside Mount)



Default Bottom Guide



Optional Interlocking Bottom Guide*

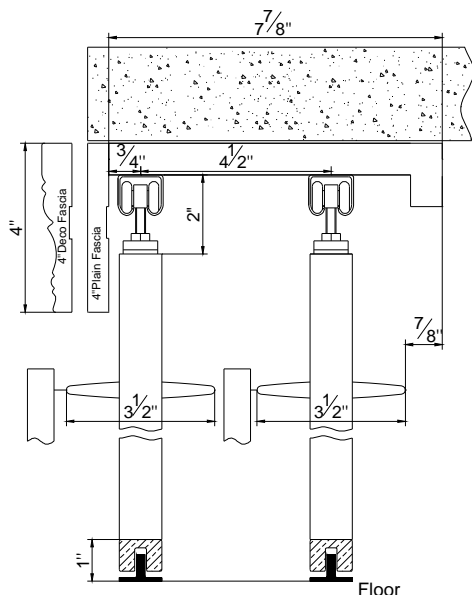
* Surcharge applies. Please see Options and Surcharges page for details

Track Shutters—Bypass

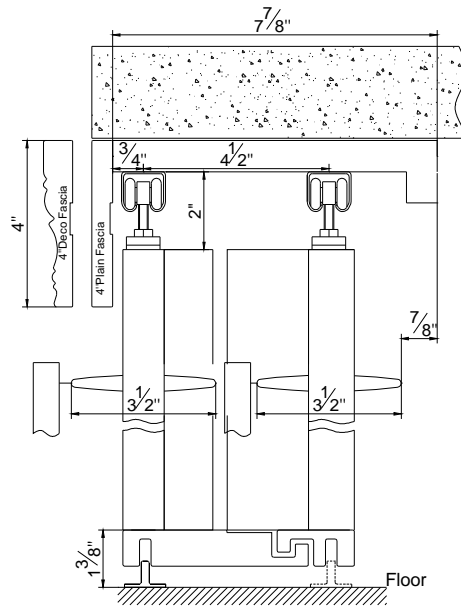
Mounting Options (Opened Bypass)*

- Only available in 2 ½" and 3 ½" louver sizes

3 ½" Louver (Inside Mount)



Default Bottom Guide



Optional Interlocking Bottom Guide *

* Surcharge applies. Please see Options and Surcharges page for details

Track Shutters—Bypass

Closed Bypass

- Available in all louver sizes



Opened Bypass*

- Available in 2 ½" and 3 ½" louver



Track Shutters—Bypass

Track Shutters Framing Materials

Framing	Size				Pc(s)
L Shape Header (2 in 1) Header with Supporting Strip	Header (Closed Bypass)	Header (Opened Bypass)	Supporting Strip		1 pc
	$\frac{3}{4}$ " x $5\frac{1}{2}$ "* (Default for Outside Mount; Optional for Semi-Inside and Inside Mount)	$\frac{3}{4}$ " x $6\frac{1}{4}$ "* ($2\frac{1}{2}$ " Louver)	$\frac{3}{4}$ " x $\frac{3}{4}$ "		
	$\frac{3}{4}$ " x $4\frac{1}{2}$ "* (Default for Semi-Inside and Inside Mount; Optional for Outside Mount)	$\frac{3}{4}$ " x $7\frac{13}{16}$ "* ($3\frac{1}{2}$ " Louver)			
	Custom * ≤ 8 "	Custom * ≤ 8 "			
U Shape Side Frame (3 in 1) Side Frame with Supporting Strip & Side Fascia	Side Frame (Closed Bypass)	Side Frame (Opened Bypass)	Supporting Strip	Side Fascia	2 pcs
	$\frac{3}{4}$ " x $5\frac{1}{2}$ "* (Default for Outside Mount; Optional for Semi-Inside and Inside Mount)	$\frac{3}{4}$ " x $6\frac{5}{8}$ "* ($2\frac{1}{2}$ " Louver)	$\frac{3}{4}$ " x $\frac{3}{4}$ "	$\frac{3}{8}$ " x $1\frac{1}{4}$ "	
	$\frac{3}{4}$ " x $4\frac{1}{2}$ "* (Default for Semi-Inside and Inside Mount; Optional for Outside Mount)	$\frac{3}{4}$ " x $8\frac{1}{4}$ "* ($3\frac{1}{2}$ " Louver)			
	Custom * ≤ 8 "	Custom * ≤ 8 "			
Top Fascia (Plain/Deco)	$5\frac{3}{4}$ " (Semi-inside and Outside Mount) $\frac{1}{2}$ " x 4" (Inside Mount)				1 pc
Top Fascia Return	$5\frac{3}{4}$ " (Semi-inside and Outside Mount) N/A (Inside Mount)				2 pcs

* L Shape Headers and U Shape Side Frames are only available in $3\frac{1}{2}$ ", $4\frac{1}{2}$ ", $5\frac{1}{2}$ ", $6\frac{1}{4}$ " and $7\frac{13}{16}$ ". For other sizes, these framing materials come in separate pieces.

* If framing material in separate pieces is preferred, please state clearly under the Special Instructions section of the order form.

Track Shutters—Bypass

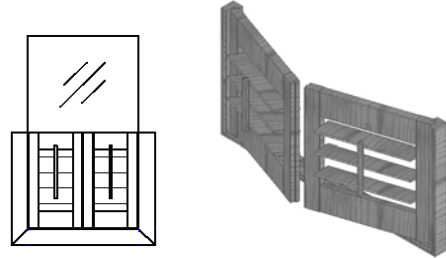
Hardware Box

Hardware Box	
Part	Qty
Wrench	1
Nylon Guide	1 for each overlap (S+E shape bottom guide)
	1 for each bottom guide (U shape bottom guide)
	4 screw for each nylon guide
Touch up paint	1
Support L Bracket (based on the length of header)	Header Length: Less than 90"- 2 brackets included 90"~120"- 3 brackets included 120"~150"- 4 brackets included For header length 150" and above, 1 bracket will be added for each additional 30".
2 ½ " screws for support L bracket	4 screw for each support L bracket
¾ " screws for support L bracket	5 screws for each 4",5 ¼ ",7" support L bracket 4 screws for each 3" support L bracket

Special Options

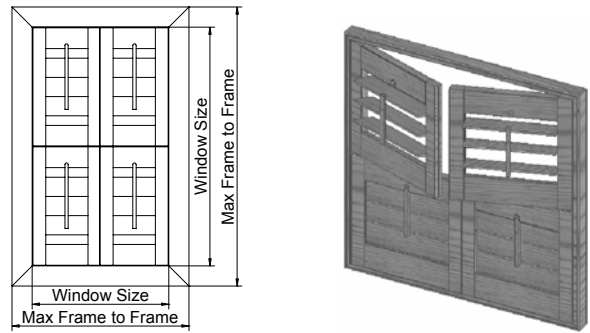
Café Shutters*

- The top of the panel requires a special finish. Please indicate “café shutter” when placing orders.
- The shutter does not come with recessed magnet on top.

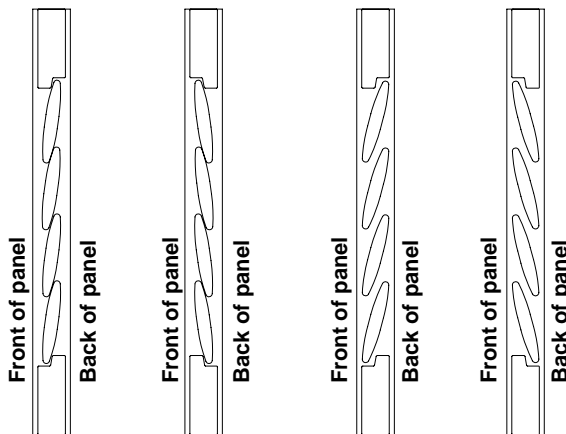
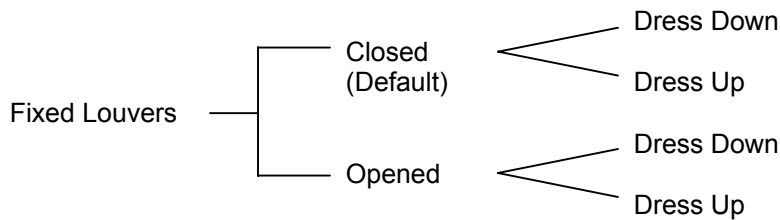


Double-Hung Shutters*

- For total number of panels, please include panels in both rows.
- Bifold panel is not available under this option.
- For panel configuration, please provide panel fold for one row.
- The default location for the division point is the center unless specified otherwise.
- Horizontal T Post* can be added for increased structural integrity.



Fixed Louvers



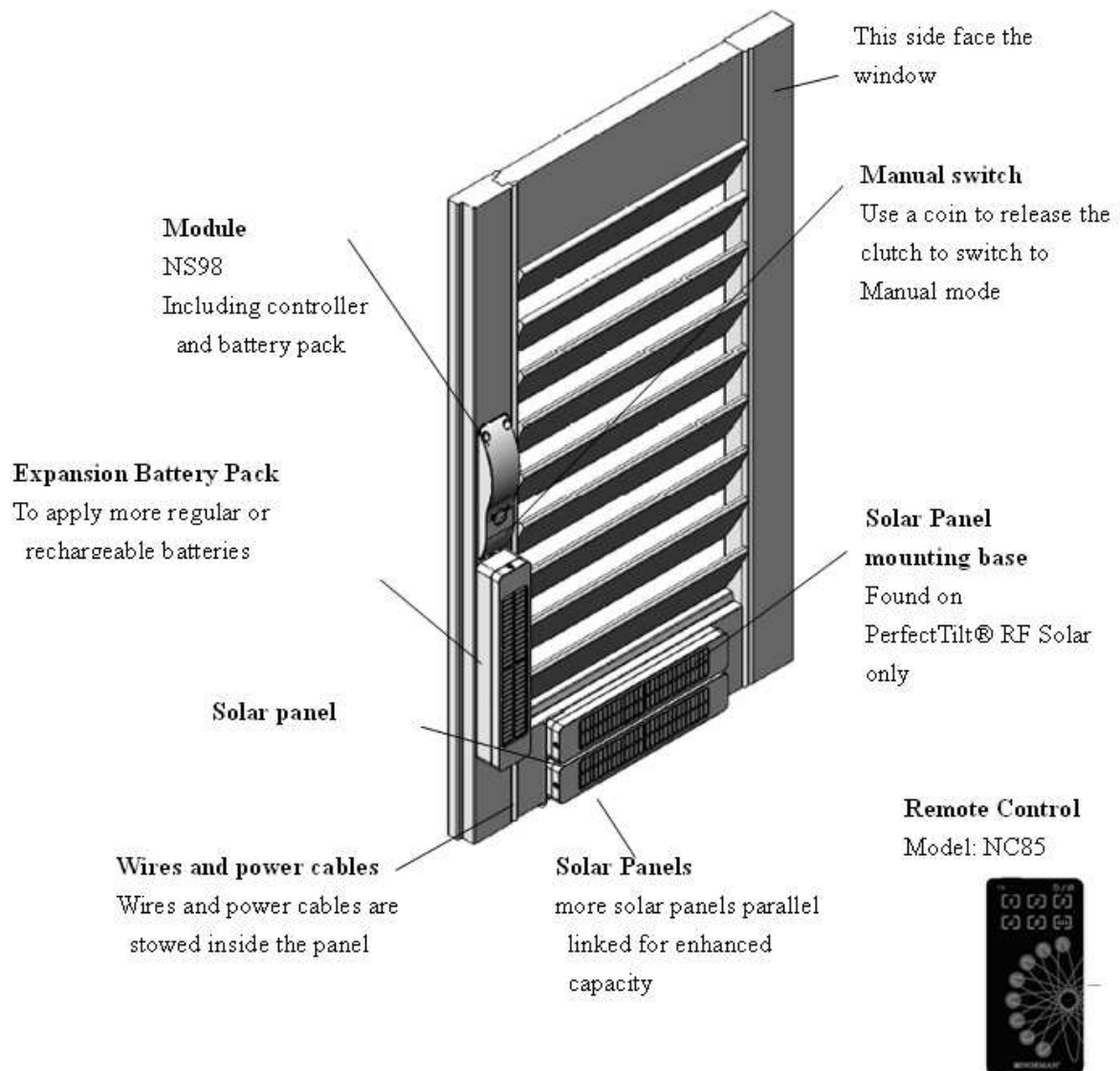
* Surcharge applies. Please see Options and Surcharges page for details.

New PerfectTilt RF

The new PerfectTilt RF has many exciting features & benefits.

- Norman® is the only national brand that offers motorization on shutters
- No need to plug-in, no cords, no hardwiring
- Tilt multiple panels in sync or individually
- Includes InvisibleTilt™ system, a completely tilt-rod-free solution for a more streamlined view and improved energy efficiency
- Larger solar panels on solar modules absorb more energy than ever before
- Ergonomic remote includes 8 preset angles and can control unlimited number of shutters in range
- Utilizes RF signal, not traditional infrared: for precise reception, range up to 65 ft., no sensor holes, and no need to point remote directly at receiver
- Remote is equipped with a timer, allowing you to use your own computer from anywhere at any time with our proprietary web interface
- Whisper quiet, gear-driven system
- PerfectTilt® RF wires are concealed inside panel, completely hidden from view
- Extra battery packs can be installed as add-on for longer periods between recharges

Parts and Names:

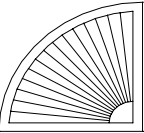
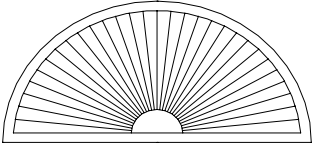
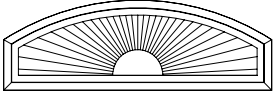
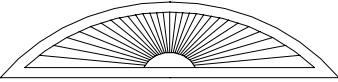
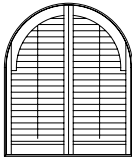
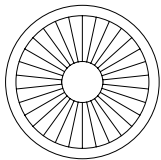
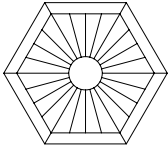
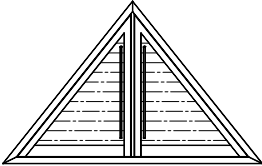
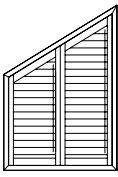
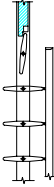


Specialties

Specialty Shutters*

Specialty shutters are made of premium solid wood, finished to match the beauty of all Norman shutters. Templates are required if it is an imperfect specialty. Delivery time is 8 weeks from the order confirmation date for all specialty shutters. Please refer to Specialties and Template Requirement sections for details.

All frames for specialty shutters will be made as solid frames (not with an insert). However, if there is a regular shutter below a specialty shutter and the frames for both shutters are separated by a divider strip, then the top frame will be made as a solid frame but the bottom frames will be made as regular frames with inserts. If the top frames and the side frames are not separated by a divider strip, both side frames and the bottom frames will be made as solid frames.

Arch Windows	Special Shapes
<div style="display: flex; justify-content: space-around;"> <div style="text-align: center;">  <p>Quarter Round Sunburst</p> </div> <div style="text-align: center;">  <p>Half Round Sunburst</p> </div> </div> <div style="display: flex; justify-content: space-around; margin-top: 20px;"> <div style="text-align: center;">  <p>Elongated Eyebrow Sunburst</p> </div> <div style="text-align: center;">  <p>Eyebrow Sunburst</p> </div> </div>	<div style="display: flex; justify-content: space-around;"> <div style="text-align: center;">  <p>Louvered Arch w/ Center Tilt Rod</p> </div> <div style="text-align: center;">  <p>Circle Sunburst</p> </div> </div> <div style="display: flex; justify-content: space-around; margin-top: 20px;"> <div style="text-align: center;">  <p>Hexagon Sunburst</p> </div> <div style="text-align: center;">  <p>Triangle</p> </div> </div>
Angle Top	
<div style="display: flex; justify-content: space-around; align-items: center;"> <div style="text-align: center;">  <p>Angle Top</p> </div> <div style="text-align: center;">  <p><small>*Top louver of angle top might be fixed as shown above</small></p> </div> </div>	

* Surcharge applies. Please see Options and Surcharges page for details.

Pricing

1) By Max Frame-to-Frame Measurement:						
Regular Shutter						
Inside and Outside Mount	Width	x	Height	/ 144	x	\$/sq ft
Track Shutter**						
Inside	Width	x	Height	/ 144	x	\$/sq ft
Semi-Inside and Outside Mount	Width	x	(Height-1½")	/ 144	x	\$/sq ft
2) By Net Panel Measurement:						
	Width	x	Height	/ 144	x	\$/sq ft
3) By Window Size:						
2" Camber Deco Frame 2" Classic Deco Frame	4-sided	(Width+4")	x	(Height+4")	/ 144	x \$/sq ft
	3-sided with Deco Sill Frame	(Width+4")	x	(Height+5")	/ 144	x \$/sq ft
	3-sided with Designer Sill Cap	(Width+4")	x	(Height+8")	/ 144	x \$/sq ft
	3-sided with Sill Plate	(Width+4")	x	(Height+4")	/ 144	x \$/sq ft
	3-sided	(Width+4")	x	(Height+2")	/ 144	x \$/sq ft
	2-sided with Deco Sill Frame	(Width+4")	x	(Height+3")	/ 144	x \$/sq ft
	2-sided with Designer Sill Cap	(Width+4")	x	(Height+6")	/ 144	x \$/sq ft
	2-sided with Sill Plate	(Width+4")	x	(Height+2")	/ 144	x \$/sq ft
	2-sided	(Width+4")	x	(Height)	/ 144	x \$/sq ft
3" Ridge Deco Frame	4-sided	(Width+6")	x	(Height+6")	/ 144	x \$/sq ft
	3-sided with Deco Sill Frame	(Width+6")	x	(Height+6")	/ 144	x \$/sq ft
	3-sided with Designer Sill Cap	(Width+6")	x	(Height+9")	/ 144	x \$/sq ft
	3-sided with Sill Plate	(Width+6")	x	(Height+6")	/ 144	x \$/sq ft
	3-sided	(Width+6")	x	(Height+3")	/ 144	x \$/sq ft
	2-sided with Deco Sill Frame	(Width+6")	x	(Height+3")	/ 144	x \$/sq ft
	2-sided with Designer Sill Cap	(Width+6")	x	(Height+6")	/ 144	x \$/sq ft
	2-sided with Sill Plate	(Width+6")	x	(Height+3")	/ 144	x \$/sq ft
	2-sided	(Width+6")	x	(Height)	/ 144	x \$/sq ft
3" Crown Z Frame	4-sided	(Width+4 ½")	x	(Height+4½")	/ 144	x \$/sq ft
	3-sided with Deco Sill Frame	(Width+4 ½")	x	(Height+5¼")	/ 144	x \$/sq ft
	3-sided with Designer Sill Cap	(Width+4 ½")	x	(Height+8¼")	/ 144	x \$/sq ft
	3-sided with Sill Plate	(Width+4 ½")	x	(Height+4½")	/ 144	x \$/sq ft
	3-sided	(Width+4 ½")	x	(Height+2¼")	/ 144	x \$/sq ft
	2-sided with Deco Sill Frame	(Width+4 ½")	x	(Height+3")	/ 144	x \$/sq ft
	2-sided with Designer Sill Cap	(Width+4 ½")	x	(Height+6")	/ 144	x \$/sq ft
	2-sided with Sill Plate	(Width+4 ½")	x	(Height+2¼")	/ 144	x \$/sq ft
	2-sided	(Width+4 ½")	x	(Height)	/ 144	x \$/sq ft

Pricing

2" Bel Air Z Frame	4-sided	(Width+2 ½")	x	(Height+2½")	/ 144	x	\$/sq ft
	3-sided with Deco Sill Frame	(Width+2 ½")	x	(Height+4¼")	/ 144	x	\$/sq ft
	3-sided with Designer Sill Cap	(Width+2 ½")	x	(Height+7¼")	/ 144	x	\$/sq ft
	3-sided with Sill Plate	(Width+2 ½")	x	(Height+2½")	/ 144	x	\$/sq ft
	3-sided	(Width+2 ½")	x	(Height+1¼")	/ 144	x	\$/sq ft
	2-sided with Deco Sill Frame	(Width+2 ½")	x	(Height+3")	/ 144	x	\$/sq ft
	2-sided with Designer Sill Cap	(Width+2 ½")	x	(Height+6")	/ 144	x	\$/sq ft
	2-sided with Sill Plate	(Width+2 ½")	x	(Height+1¼")	/ 144	x	\$/sq ft
	2-sided	(Width+2 ½")	x	(Height)	/ 144	x	\$/sq ft
1 ½ " Bullnose Z Frame/ 1 ¼ " Beaded Z Frame/ Bullnose Tilt Out Z Frame	4-sided	(Width+2")	x	(Height+2")	/ 144	x	\$/sq ft
	3-sided with Deco Sill Frame	(Width+2")	x	(Height+4")	/ 144	x	\$/sq ft
	3-sided with Designer Sill Cap	(Width+2")	x	(Height+7")	/ 144	x	\$/sq ft
	3-sided with Sill Plate (N/A w/ Tilt out Z)	(Width+2")	x	(Height+2")	/ 144	x	\$/sq ft
	3-sided	(Width+2")	x	(Height+1")	/ 144	x	\$/sq ft
	2-sided with Deco Sill Frame	(Width+2")	x	(Height+3")	/ 144	x	\$/sq ft
	2-sided with Designer Sill Cap	(Width+2")	x	(Height+6")	/ 144	x	\$/sq ft
	2-sided with Sill Plate (N/A w/ Tilt out Z)	(Width+2")	x	(Height+1")	/ 144	x	\$/sq ft
	2-sided	(Width+2")	x	(Height)	/ 144	x	\$/sq ft
Vintage Hang Strip	Inside	Width	x	Height	/ 144	x	\$/sq ft
	Outside 4-sided	(Width+3")	x	(Height+3")	/ 144	x	\$/sq ft
	Outside 3-sided with Deco Sill Frame	(Width+3")	x	(Height+4½")	/ 144	x	\$/sq ft
	Outside 3-sided with Designer Sill Cap	(Width+3")	x	(Height+7½")	/ 144	x	\$/sq ft
	Outside 3-sided	(Width+3")	x	(Height+1½")	/ 144	x	\$/sq ft
	Outside 2-sided with Deco Sill Frame	(Width+3")	x	(Height+3")	/ 144	x	\$/sq ft
	Outside 2-sided with Designer Sill Cap	(Width+3")	x	(Height+6")	/ 144	x	\$/sq ft
	Outside 2-sided	(Width+3")	x	(Height)	/ 144	x	\$/sq ft
Vintage L Frame/ Beaded L Frame/ Bullnose L Frame/	Inside (max frame to frame measurement only)	Width	x	Height	/ 144	x	\$/sq ft
	Outside 4-sided	(Width+3")	x	(Height+3")	/ 144	x	\$/sq ft
	Outside 3-sided with Deco Sill Frame	(Width+3")	x	(Height+4½")	/ 144	x	\$/sq ft
	Outside 3-sided with Designer Sill Cap	(Width+3")	x	(Height+7½")	/ 144	x	\$/sq ft
	Outside 3-sided	(Width+3")	x	(Height+1½")	/ 144	x	\$/sq ft
	Outside 2-sided with Deco Sill Frame	(Width+3")	x	(Height+3")	/ 144	x	\$/sq ft
	Outside 2-sided with Designer Sill Cap	(Width+3")	x	(Height+6")	/ 144	x	\$/sq ft
	Outside 2-sided	(Width+3")	x	(Height)	/ 144	x	\$/sq ft
Track Shutter**							
Inside and Semi-Inside Mount	Width	x	Height	/144	x	\$/sq ft	
Outside Mount	(Width+3")	x	(Height+3")	/144	x	\$/sq ft	

Options and Surcharges

Option	Surcharge	Remark
1 $\frac{7}{8}$ " Louver	10%	
Beaded L Frame with $\frac{1}{4}$ " Thick Light Block	No surcharge	
L Frame with $\frac{1}{2}$ " & 1" Buildout	5%	
Deco Frame with $\frac{1}{2}$ ", 1" & 1 $\frac{1}{2}$ " Extension	5%	
Custom extension	10%	Up to 2" for L Frames, Deco Frames and Hang Strip (OM) Up to 1" for Z frames (n/a for Tilt Out Z frame)
T Post	No surcharge	
T Post Extension	5%	Up to 2"
90 degree Corner Post & 135 degree Bay Post	No surcharge	
Custom Notch Out	10%	
Double Hung / Horizontal 1 $\frac{3}{4}$ " T Post	10%	Bifold configuration not available
Custom Angle/Depth Bay Post	5%	Up to 2" for custom depth
Extra Light Block	Charge per linear ft	Please contact your Customer Account Specialist for details
Scribe Trim	Charge per linear ft	Please contact your Customer Account Specialist for details
Center Tilt Rod	No surcharge	
Offset Tilt Rod	5%	
InvisibleTilt [™]	10%	Panels over 48" will have a split InvisibleTilt tilt rod. Not available in 1 $\frac{7}{8}$ " louvers.
Café Shutters	30%	Surcharge applies when the frame exceeds 5" beyond the top of the panel.
Fixed Louvers	No surcharge	Please indicate fixed position: up/down and open/close
Track	See specialty surcharge	Please contact your Customer Account Specialist for details
Plain Boxout (Standard size)	30%	
Deco Boxout (Standard size)	35%	
Plain Boxout (Custom size)	40%	
Deco Boxout (Custom size)	45%	
Stainless Steel Hinges	5%	
Specialty Shapes	See specialty surcharge	
Flame Retardant Finish	10%	
Classic Black	10%	

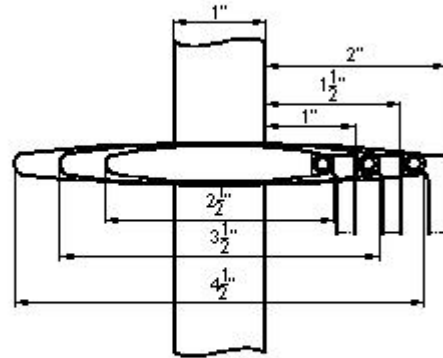
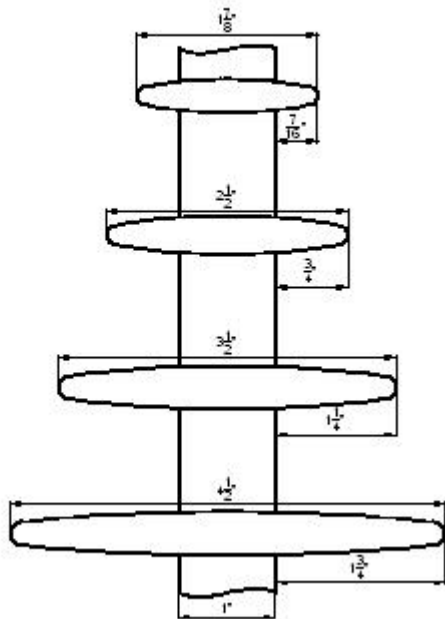
Appendix

Color Coordination Chart

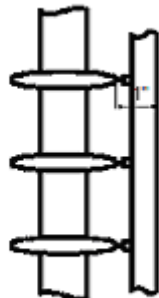
Color ID	Solid color	Default Hinge Colour	Default Track Colour	
001	Pure White	Silk White	Silk White	
003	Silk White			
004	Bright White			
006	Pearl	Pearl		
007	Ivory Lace	Bisque		
008	Marshmallow			
009	Creamy			
011	Cameo			
012	Crisp Linen			
013	Bisque			
016	Butter	Nickel Plated		Anodised Silver
019	String			
030	Moondust		Nickel Plated	Anodised Silver
032	Sea Mist			
046	Ice	Silk White	Silk White	
048	Chai	Nickel Plated	Anodised Silver	
049	Stone Grey			
051	Brown Grey			
053	Clay			
063	Decorator's White	Silk White	Silk White	
836	Classic Black 10% surcharge	Black	Anodised Silver	

Louver Depth Clearance

Standard Tilt Rod



Offset Tilt Rod

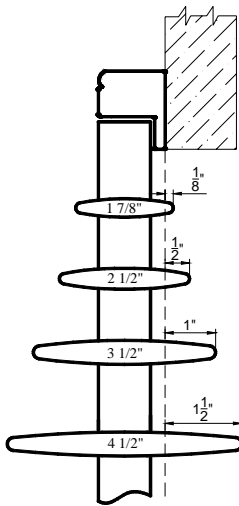


Offset tilt rod projects 1" from the edge of the louvers.

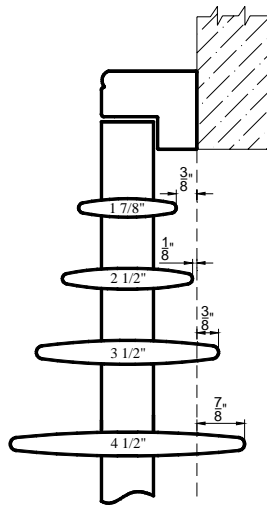
Louver Depth Clearance For Specific Frames

Louver Depth Clearance for

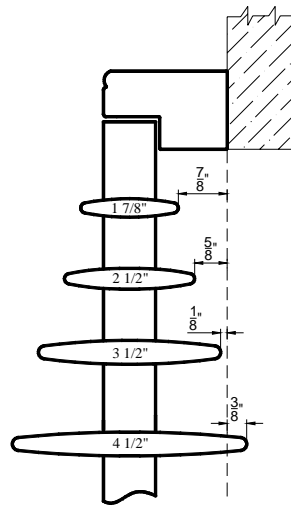
- Offset tilt rod, add 1"



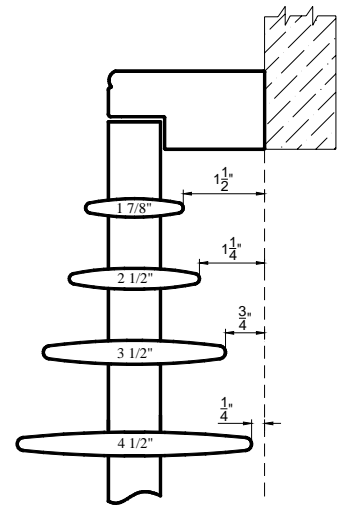
L Frame
w/ 13/64 " Light Block



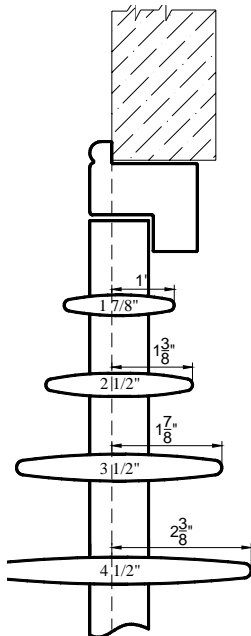
L Frame



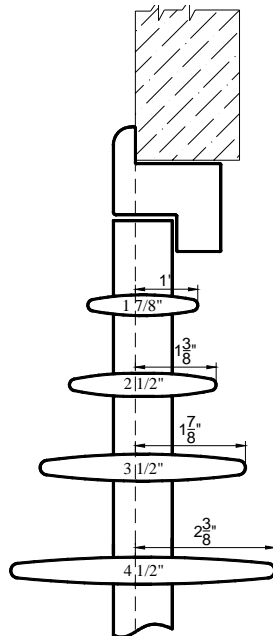
L Frame
w/ 1/2 " Buildout



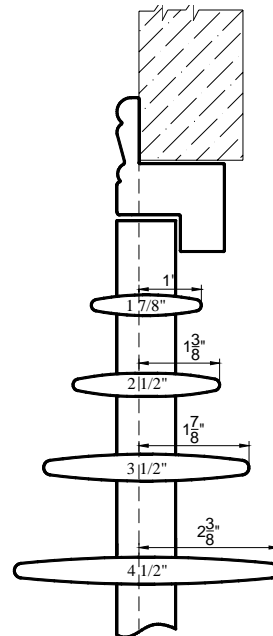
L Frame
w/ 1" Buildout



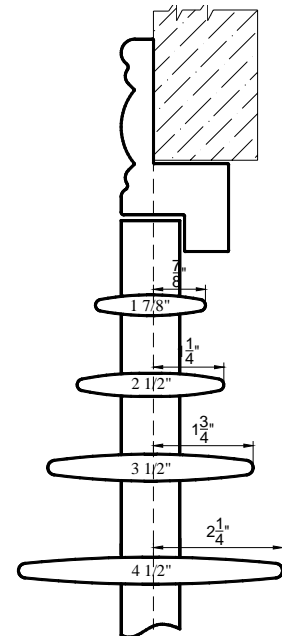
1 1/4 " Beaded Z Frame



1 1/2" Bullnose Z Frame

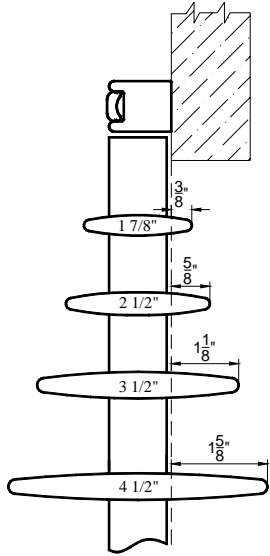


2" Bel Air Z Frame

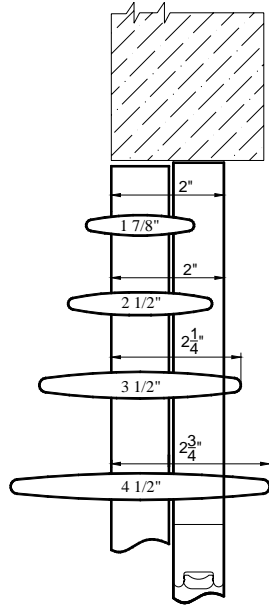


3" Crown Z Frame

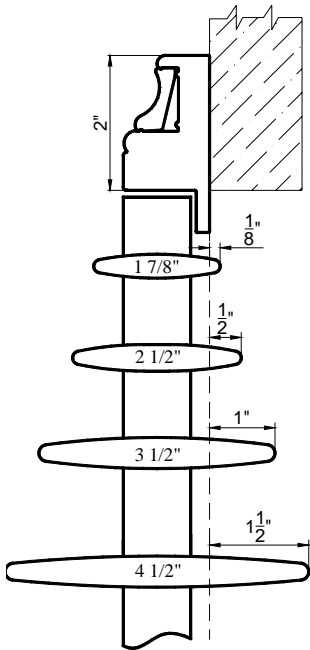
Louver Depth Clearance For Specific Frames



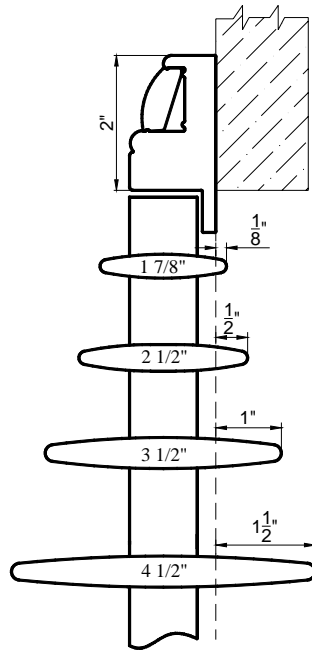
Hang Strip
(beside the panel)



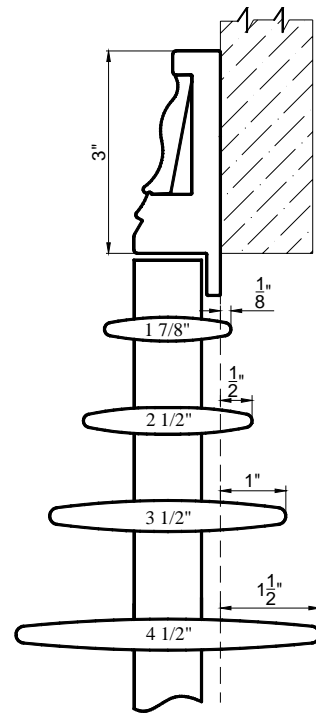
Hang Strip
(behind the panel)



2" Classic Deco Frame



2" Camber Deco Frame



3" Ridge Deco Frame