

NORMAN®

SHUTTERS. BLINDS. SHADES.



Palladian Shelf

Program Reference Guide

2019

Palladian Shelf

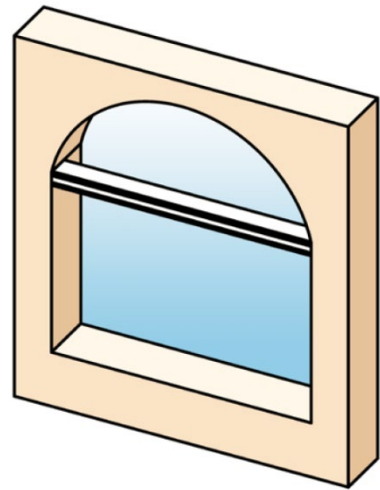
Table of Contents

	Page
Features & Benefits	3
Terminology	3
General Specifications	4
Color Availability	5

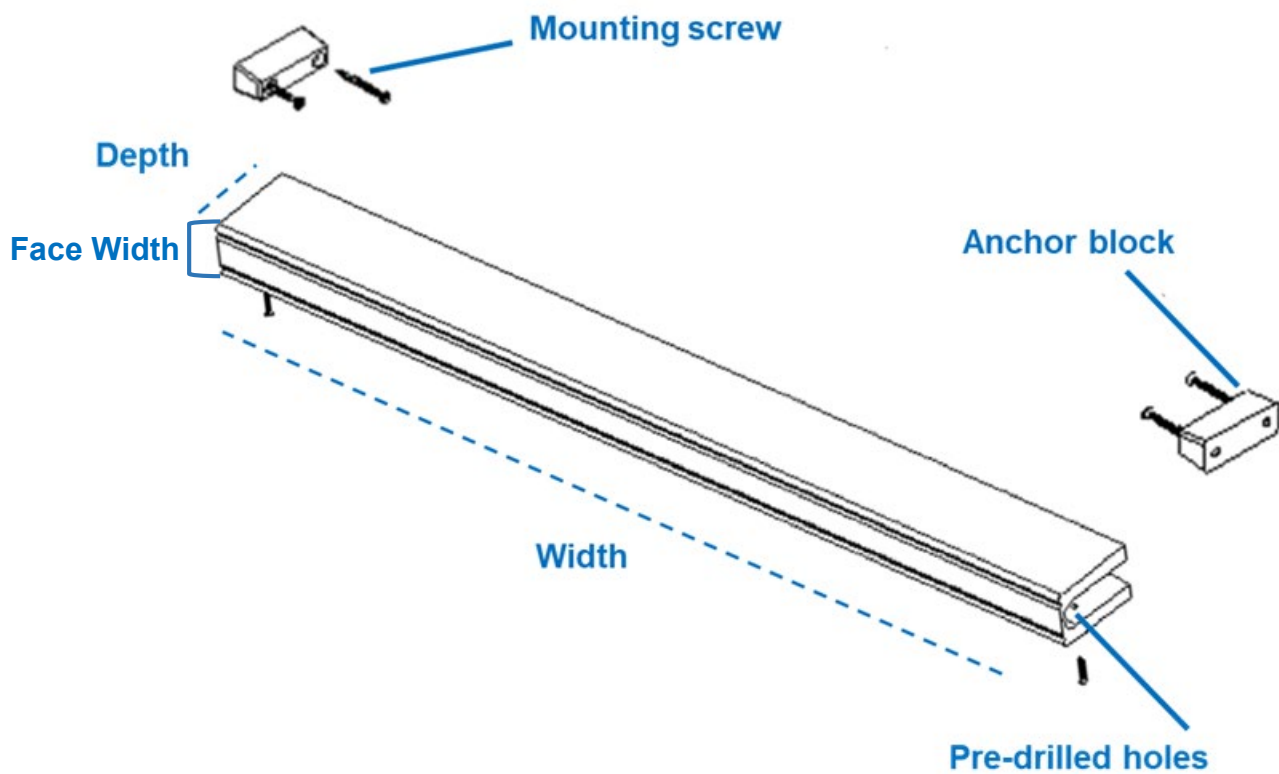
Palladian Shelf

Features & Benefits

This innovative solution creates a decorative mounting surface inside an arched window by elegantly splitting the curved portion of the window into a squared opening- allowing installation for blinds and shades.



Terminology



Palladian Shelf

General Specifications

- Inside Mount application only
 - Available to order with all IM blinds and shades
- Max Width: 96"
- Available Depths: 2" to 4" (in 1/8" increments)
- Face width: 1 1/2"
- Material: Premium solid wood
- Note: Max weight limitation is 50 lbs

Standard Deductions

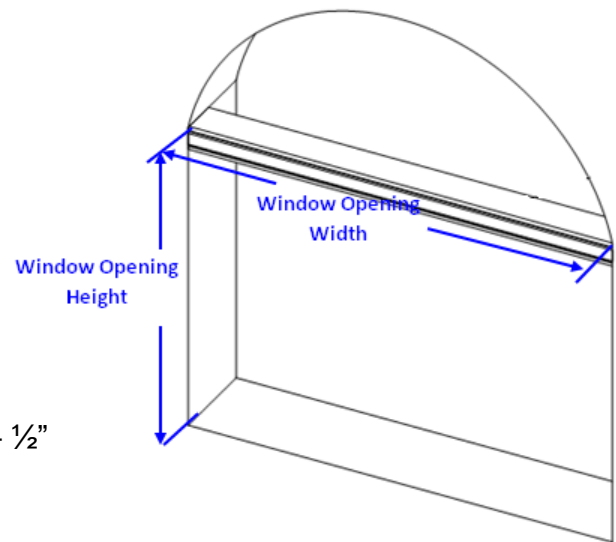
When ordering with a blind or shade:

Palladian shelf width = Order width – 1/32"

Anchor block width = Palladian shelf depth – 1/2"

When ordering Palladian Shelf Only:

No deductions are taken.



Height Deduction

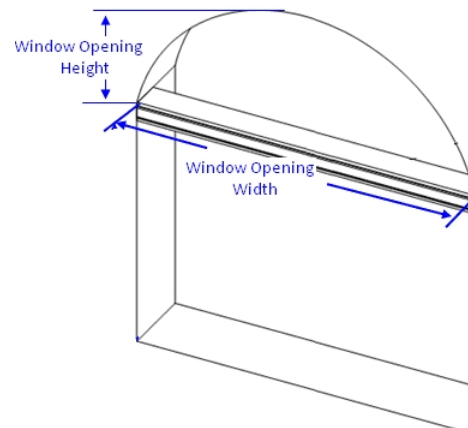
When Palladian Shelf is selected along with a blind/shade, please provide window opening measurements under Order Size. Height deductions on the blind/shade will be taken at the factory when the blind/shade and Palladian shelf are ordered on the same line. If ordered separately, there will be no height deduction.

Specialty Shapes

For Specialty Shapes, please provide the window opening measurements starting from the top of the Palladian Shelf.

Palladian Window width = Order Width – 1/32"

No height deductions are taken.

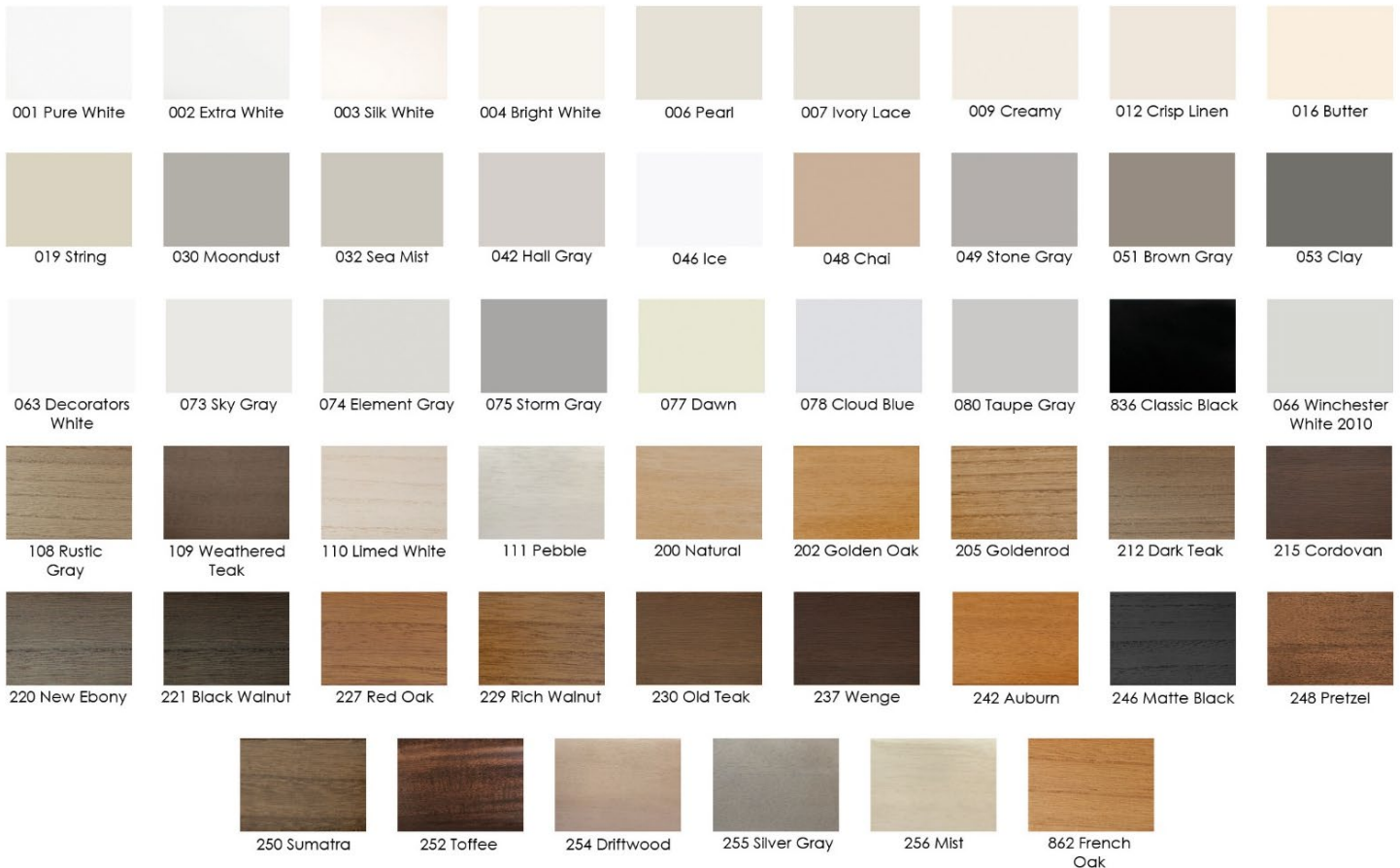


Palladian Shelf

Color Availability

Choose any color from our Normandy® shutter collection of 51 paints and stains

- **Painted colors:** Pure White, Extra White, Silk White, Bright White, Pearl, Ivory Lace, Creamy, Crisp Linen, Butter, String, Moondust, Sea Mist, Hall Gray, Ice, Chai, Stone Gray, Brown Gray, Clay, Decorators White, Sky Gray, Element Gray, Storm Gray, Dawn, Cloud Blue, Taupe Gray, Classic Black, Winchester White.
- **Stained colors:** Rustic Gray, Weathered Teak, Limed White, Pebble, Natural, Golden Oak, Goldenrod, Dark Teak, Cordovan, New Ebony, Black Walnut, Red Oak, Rich Walnut, Old Teak, Wenge, Auburn, Matte Black, Pretzel, Sumatra, Toffee, Driftwood, Silver Gray, Mist, French Oak.



**The above digital color swatches may appear slightly different than the actual paint or stain. For an accurate view of the color, please refer to our Normandy Shutter color swatches.