

Mariak

2" Aluminum & 2" PVC Horizontal Blinds

January 2021

Horizontal Blind Measuring & Ordering Instructions

Selecting the Type of Mounting:

Determine whether the blind is going to be installed inside the window frame (IB) or outside the window frame (OB).

Inside Mount (IB):

Inside mount installations are often preferred because the blinds take up less space in the room.

Measuring the Width and the Length for Inside Mount:

For the width, measure across the top, middle, and bottom of the window opening. Using the narrowest dimension, measure to the nearest $\frac{1}{8}$ ".

For the length, measure the up and down dimension on the left, center, and right. Use the longest length measurement, measuring to the nearest $\frac{1}{8}$ ".

Do not make any width deductions. The factory will make any appropriate deductions ($\frac{1}{2}$ " standard deduction on width for inside mount).

Outside Mount (OB):

Outside mount installations are mounted on the wall or on the window molding. It is best to overlap the window opening at least $1\frac{1}{2}$ " on each side when measuring for horizontal blinds.

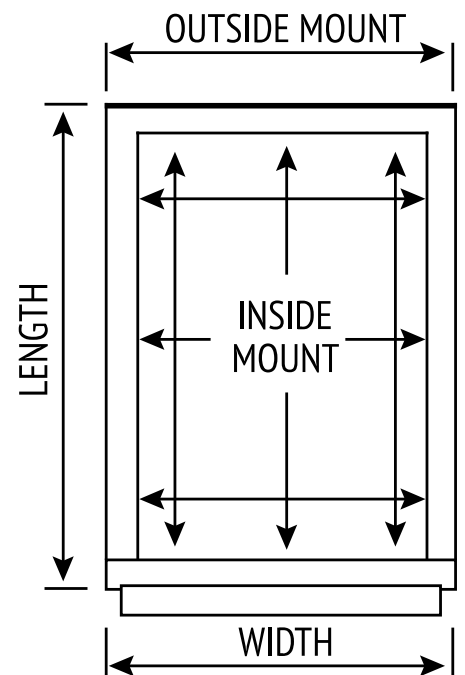
Measuring the Width and the Length for Outside Mount:

Measure the area that the blind is to cover. For horizontal blinds it is recommended to overlap the window opening by at least $1\frac{1}{2}$ " on each side for a total of 3". To allow for enough space for the mounting brackets and to cover the bottom of the window, the suggested overlap for a horizontal blind is at least 3" ($1\frac{1}{2}$ " above the window opening and $1\frac{1}{2}$ " below the opening). If the window opening has a sill, measure from where the top of the blind will be located to the top of the windowsill.

Note: When outside mount blinds are specified, no factory deductions are taken.

Confirming Measurements:

The most common error in ordering blinds is reversing the width and the length measurements. Always confirm that the width is the measurement that goes across from left to right and that the length is the measurement that goes from top to bottom. List the width measurement first (W x L).



Mariak

2" Aluminum Horizontal Blinds — Assortment & Cloth Tape

2" Aluminum Assortment	
005	White Gloss
062	Charcoal Brown
112	Alabaster
121	Brushed Aluminum
122	Stone
205	White Satin
233	Black Satin
386	Snow Cap
629	Snow Crystal
630	Yellow White
376	Navajo
983	Dove Grey

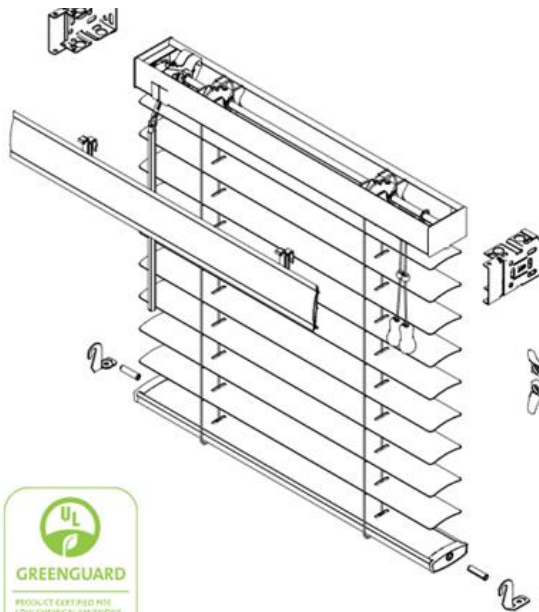
Privacy Cloth Tape Colors	
001 Fawn	008 Alice Blue
002 Dark Beige	100 White
003 Dark Green	105 Duck White
004 Royal Blue	430 Butternut
005 Chocolate	504 Guacamole
006 Black	685 Deep Blue
007 Mulberry	822 Pewter

2" PVC Horizontal Blinds — Assortment & Cloth Tape

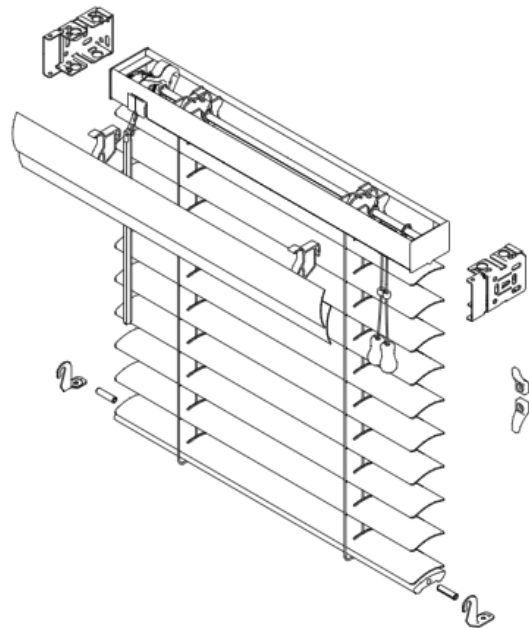
2" PVC Assortment	
205	White
325	Ivory

Privacy Cloth Tape Colors	
001 Fawn	008 Alice Blue
002 Dark Beige	100 White
003 Dark Green	105 Duck White
004 Royal Blue	430 Butternut
005 Chocolate	504 Guacamole
006 Black	685 Deep Blue
007 Mulberry	822 Pewter

2" Aluminum Blind



2" PVC Blind



Mariak

Product Specifications

- All blinds come standard with Wand Tilt (Cord Tilt optional)
 - Lift cord and Tilt cord length will be $\frac{1}{3}$ the blind length. Special cord lengths are available upon request at time of order.
- $\frac{1}{2}$ " deduction taken on all Inside Mount blinds
- Light gap between blinds for 2 on 1 is $\frac{1}{4}$ "
- Privacy routeless option available
- 2" Aluminum Horizontals:
 - Minimum Width = 9" exact
 - Blinds less than $11 \frac{15}{16}$ " in width must have a center tilt mechanism with NO Lift control
 - Blinds less than 16" and greater than 12" must have split controls (Standard – Left/Right or Reverse – Right/Left)
 - Blinds greater than 16" may have same side control or split controls
 - Maximum Width = 142" exact
 - See price grid for single blind size restrictions
 - Minimum Height = 12"
 - Maximum Height = 124"
 - Mounting Depth Requirements
 - Minimum depth = $\frac{3}{4}$ "
 - Minimum flush mount without valance = $2 \frac{1}{4}$ "
 - Minimum flush mount with valance = $3 \frac{1}{2}$ "
- 2" Vinyl Horizontals:
 - Minimum Width = 9" exact
 - Blinds less than $11 \frac{15}{16}$ " in width must have a center tilt mechanism with NO Lift control
 - Blinds less than 16" and greater than 12" must have split controls (Standard – Left/Right or Reverse – Right/Left)
 - Blinds greater than 16" may have same side control or split controls
 - Maximum Width = 84" exact single blind width, 120" for 2-on-1 headrail
 - Minimum Height = 12"
 - Maximum Height = 108"
 - Mounting Depth Requirements
 - Minimum depth = $\frac{3}{4}$ "
 - Minimum flush mount without valance = $2 \frac{1}{4}$ "
 - Minimum flush mount with valance = $3 \frac{1}{2}$ "

Mariak

Product Specifications

Control Location Option:

Standard:	Tilter Left/Lift Cords Right
Reverse:	Tilter Right/Lift Cords Left
Same Left:	Tilter Left/Lift Cords Left
Same Right:	Tilter Right/Lift Cords Right

Blinds less than **11 15/16"** in width must have center tilt mechanism
Blinds less than **16"** and greater than **12"** must have split controls

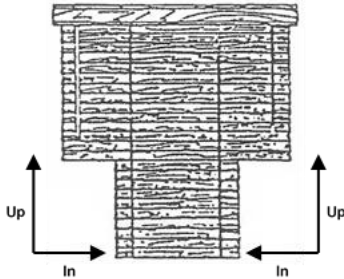
Stacking Height:

Blind Drop	Total Stack Thickness
24"	5"
36"	6"
48"	7"
60"	9"
72"	9 1/2"
84"	10 1/2"
96"	12 1/2"
108"	13 1/2"
120"	15"

Wand Selection Chart:

Blind Drop	Wand Length
36" or less	12"
36 1/16" – 60"	20"
60 1/16" – 70"	30"
70 1/16" – 80"	40"
80 1/16" – 90"	50"
90 1/16" – 100"	60"
100 1/16" or greater	72"

Cutouts Specifications:



A drawing with the necessary cutout dimensions is required. The maximum cut in width **5"**

Motorized Horizontal Blinds

Somfy RTS Tilt Motorized Option:

- Somfy RTS Motorized Blinds (Tilt Only)
- (Single Lithium Battery Pack Included)
- 5-Channel RTS Modulis Remote Control Transmitter.

Features:

- Exclusive scroll wheel design for precise tilt control of horizontal blinds
- Tilts blinds individually, as sub groups, or as an entire group using a 5-Channel RTS transmitter
- Rubberized headrail adapter for smooth and quiet motor operation
- Range: 65 Ft. (without the need to point or aim the transmitter)
- Built-in encoder for precise slat positioning of adjacent blinds
- Maximum Sizes:
Aluminum = 120" x 144"

Mariak
575 West Manville Street
Rancho Dominguez, CA 90220
800.562.7425

Item #90-300000-10 (12/2020)