

WYMAN EMPIRE CELLULAR SHADE SHOP COLLECTION PRICE LIST

EFFECTIVE JUNE 2010



SAVE A LIFE: INSTALL A CORD CLEAT

**WYMAN EMPIRE
TOLL FREE-800-326-2555 LOCAL-916-381-9333 FAX-916-381-5753**

Wyman Empire

Measuring & Ordering Instructions

Selecting the Type of Mounting:

Determine whether the cellular shade is going to be installed inside the window frame or outside the window frame.

Inside Mount (IB):

Inside mount installations are often preferred because the shades take up less space in the room.

Measuring the Width and the Length for Inside Mount:

For the width, measure across the top, middle, and bottom of the window opening. Using the narrowest dimension, measure to the nearest 1/8". By using the narrowest measurement the shade will operate correctly.

For the length, measure the up and down dimension on the left, center, and right side. Use the longest length measurement, measuring to the nearest 1/8".

The factory will make any appropriate deductions. Do not make any width deductions.

Outside Mount (OB):

Outside mount installations are mounted on the wall or on the window molding. It is best to overlap the window opening at least 3/4" on each side when measuring for cellular shades.

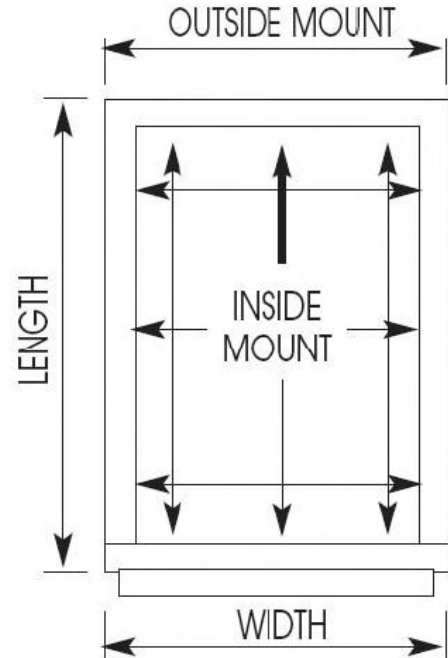
Measuring the Width and the Length for Outside Mount:

Measure the area that the cellular shade is to cover. For cellular shades it is recommended to overlap the window opening by at least 3/4" on each side for a total of 1 1/2". To allow for enough space for the mounting brackets and to cover the bottom of the window, the suggested overlap for a cellular shade is at least 3" (1 1/2" above the window opening and 1 1/2" below the opening). If the window opening has a sill, measure from where the top of the cellular shade will be located to the top of the window sill.

Note: When outside mount cellular shades are specified, no factory deductions are taken.

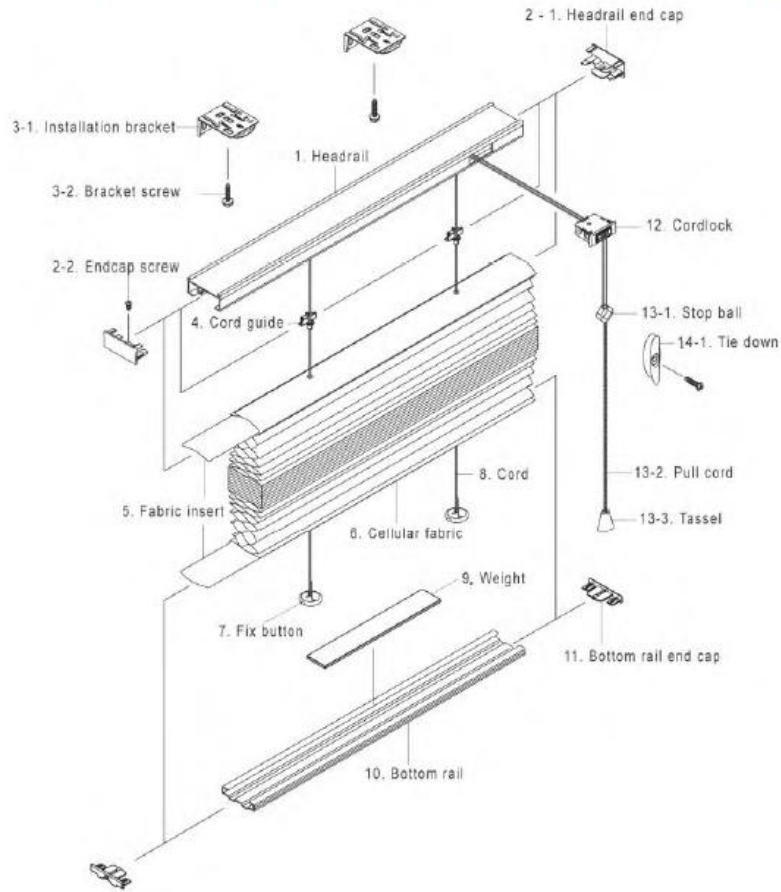
Confirming Measurements:

The most common error in ordering cellular shades is reversing the width and the length measurements. Always confirm that the width is the measurement that goes across from left to right and that the length is the measurement that goes from top to bottom.

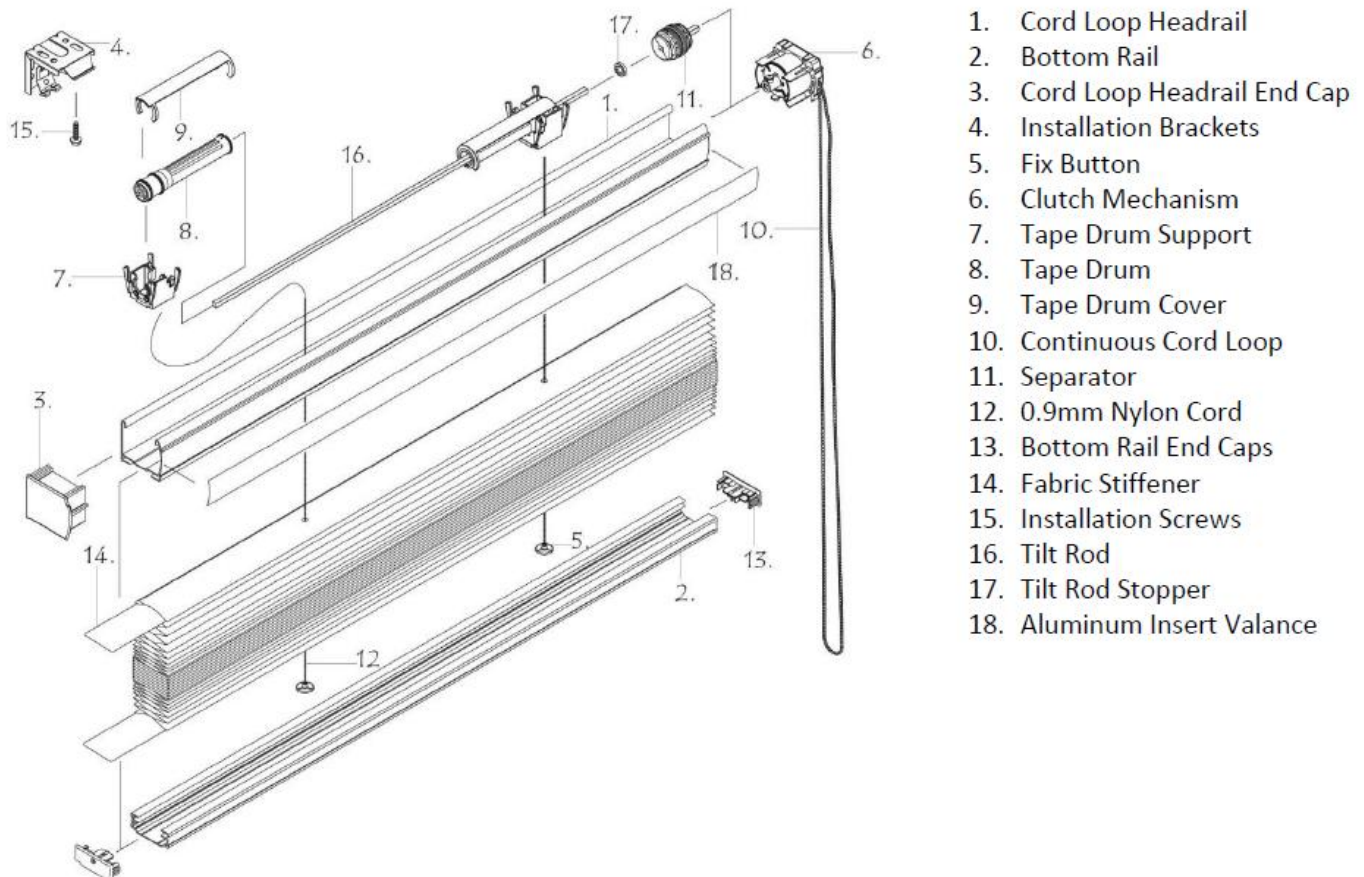


Wyman Empire

Pull Cord (Cord Lock) Cellular Shade Exploded Diagram



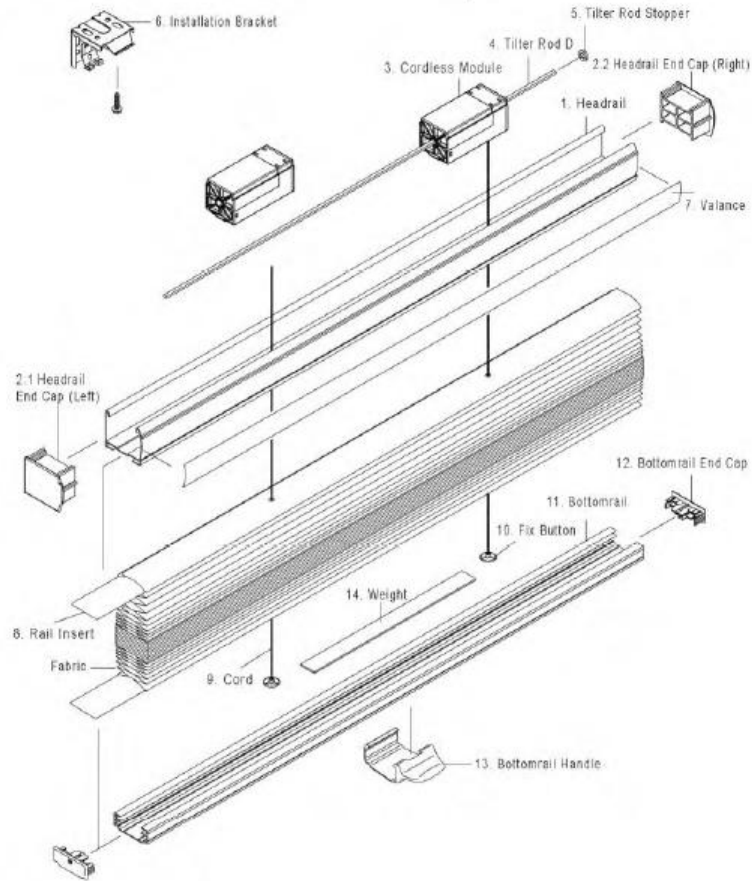
Cord Loop Clutch Cellular Shade Exploded Diagram



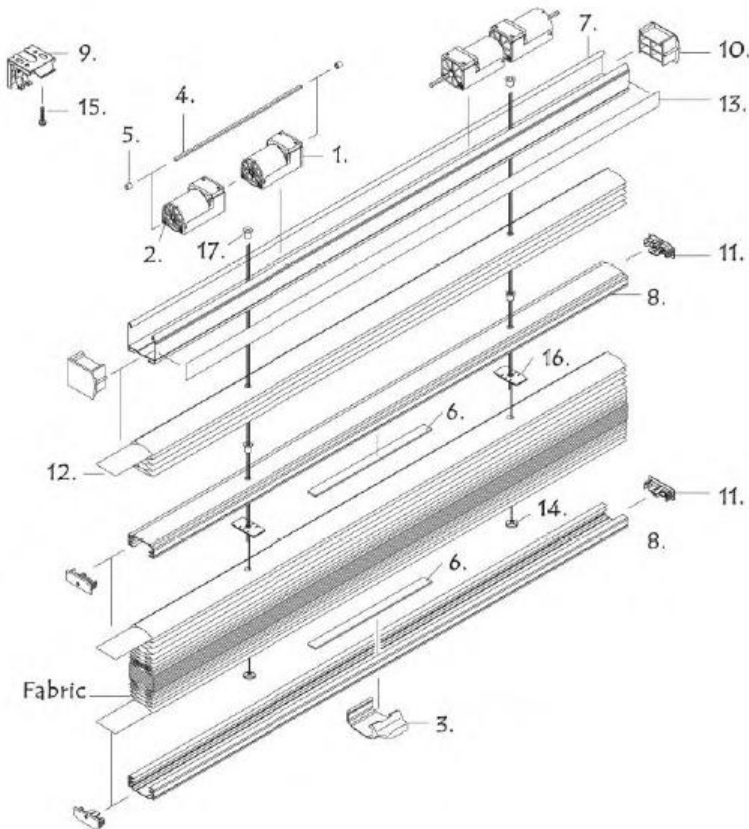
1. Cord Loop Headrail
2. Bottom Rail
3. Cord Loop Headrail End Cap
4. Installation Brackets
5. Fix Button
6. Clutch Mechanism
7. Tape Drum Support
8. Tape Drum
9. Tape Drum Cover
10. Continuous Cord Loop
11. Separator
12. 0.9mm Nylon Cord
13. Bottom Rail End Caps
14. Fabric Stiffener
15. Installation Screws
16. Tilt Rod
17. Tilt Rod Stopper
18. Aluminum Insert Valance

Wyman Empire

Cordless Cellular Shade Exploded Diagram



Top-Down/Bottom-Up Cordless Cellular Shade Exploded Diagram



1. Cordless Module
2. Cordless Module Housing
3. Bottom Rail Handle
4. Tilt Rod
5. Tilt Rod Stopper
6. Bottom Rail Weights
7. Cordless Headrail
8. Bottom Rail
9. Installation Brackets
10. Cordless Headrail End Caps
11. Bottom Rail End Caps
12. Fabric Stiffener
13. Aluminum Insert Valance
14. Fix Button
15. Installation Screws
16. Plastic Washer
17. Eyelet

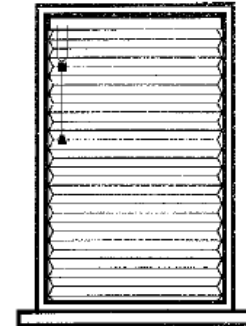
Wyman Empire

Cellular Shade Options

Standard Pull Cord Cellular Shade

This cellular shade is operated by pulling a lift cord. Using a heavy duty cord lock mechanism, the shade can be raised or lowered by simply releasing the pull cord with a slight tug at an angle. This action will stop the shade from being raised or lowered and will lock the shade in place.

Minimum Width: 8"
Maximum Width: 96" as 1 piece or 144" as a 2-On-1 Shade
Minimum Height: 8"
Maximum Height: 144"



Continuous Cord Loop Cellular Shade

This cellular shade is raised or lowered by pulling a continuous cord. Cord loop shades use a heavy duty clutch operating device that makes lifting the shade a breeze. It also allows the consumer to position the shade exactly at the preferred height. This clutch feature eliminates concerns about the cord lengthening and reaching the floor as the shade is raised because the cord loop always remains the same height. Shades with this upgrade will remain level as the shade is raised and lowered.

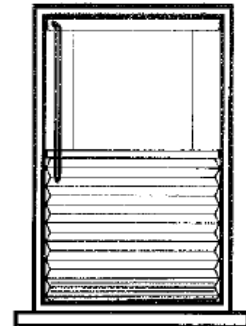
Minimum Width: 18"
Maximum Width: 120" as 1 piece or 144" as a 2-On-1 Shade
Minimum Height: 8"
Maximum Height: 144"



Top-Down Only Continuous Cord Loop Cellular Shade

Using the continuous cord loop mechanism described above, this shade option lowers the fabric from the top of the shade. The bottom rail of the shade is stationary and fixed at the bottom of the window. This option allows light from above without forgoing privacy from below. Available with continuous cord loop controls only.

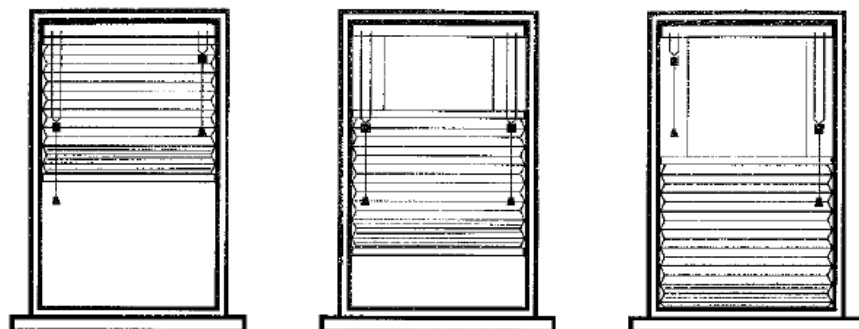
Minimum Width: 18"
Maximum Width: 72"
Minimum Height: 8"
Maximum Height: 96"



Top-Down/Bottom-Up Cellular Shade

This cellular shade features the ability to both raise the shade from the bottom and lower it from the top. It combines both the functions of a standard shade and a top-down only shade. Right side lift cords will raise the shade from the bottom, while left side lift cords lower the shade from the top. Available with standard pull cord controls or cordless.

Minimum Width: 18"
Maximum Width: 72"
Minimum Height: 12"
Maximum Height: 72"



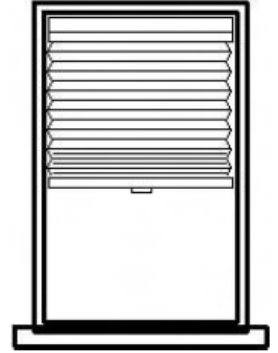
Wyman Empire Cellular Shade Options

Cordless Cellular Shade

This cellular shade is operated by pushing up or pulling down the bottom-bar. Using an innovative, state-of-the-art cords-free lifting mechanism, the shade can be raised or lowered by grabbing a handle located at the bottom of the shade. Raising the handle up or pulling the handle down will stop the shade at any mid-window position.

Minimum Width: 18"
 Maximum Width: 84"
 Minimum Height: 12"
 Maximum Height: 84"

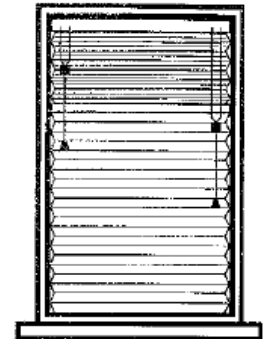
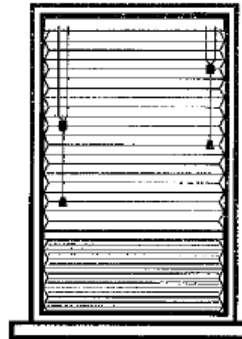
Note: Top-Down / Bottom-Up Cordless is available for an additional surcharge.



Day/Night Cellular Shade

This cellular shade option combines two different fabrics in one shade. A room darkening fabric can be lowered from the top of the shade, while a light filtering fabric used for additional privacy can be raised from the bottom. Right side lift cords will control the day/night feature, while left side lift cords raise the entire shade. Available with standard pull cord controls only. Available with Laguna, Daytona, & Venice fabrics only.

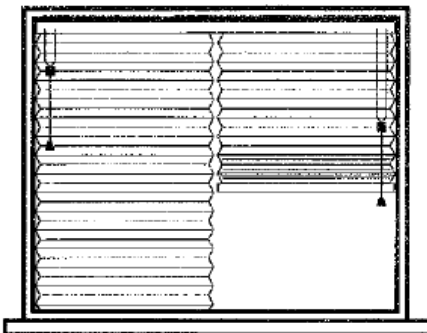
Minimum Width: 12"
 Maximum Width: 72"
 Minimum Height: 18"
 Maximum Height: 96"



2-On-1 Headrail Cellular Shade

Pull Cord Shade Option

Continuous Cord Loop Option



Minimum Width: 8"
 Maximum Width: 144"
 Minimum Height: 8"
 Maximum Height: 144"

Minimum Width: 18"
 Maximum Width: 144"
 Minimum Height: 18"
 Maximum Height: 144"

Note: There will be a 1/4" light gap between the fabric shade panels.

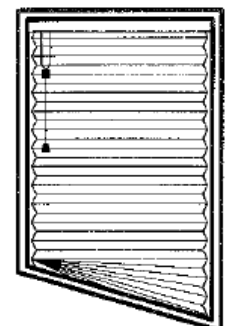
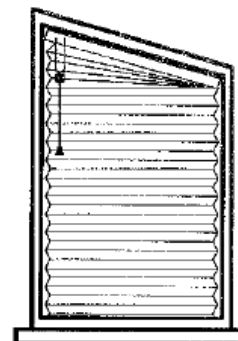
Note: Controls for the left shade will be left and controls for the right shade will be right.

Fanned Angle Top and Bottom Windows

Minimum Width: 12"
 Maximum Straight Width: 72"
 Maximum Angle Width: 84"
 Minimum Height: 12"
 Maximum Height: 96"

Note: This is a non-functioning cord lock.

Note: Angled Top Shades have two top rails.



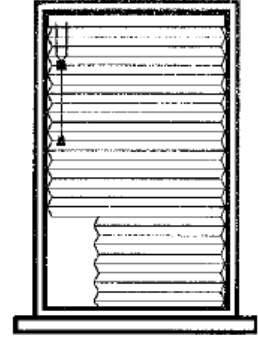
Wyman Empire

Cellular Shade Options

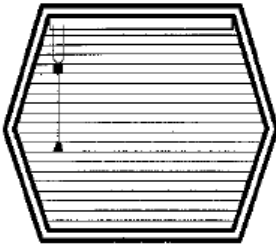
Shade with Cutout

To avoid obstacles, shades may require cutouts. They are available at the bottom of the shade only. Available with both standard pull cord and continuous cord loop controls.

Note: Please allow 1/4" clearance for the obstacle. The section of the shade below the obstacle will not stack when the shade is raised. There are a maximum of two cutouts per shade.

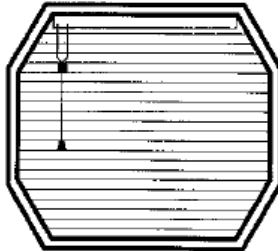


Additional Specialty Cellular Shade Options



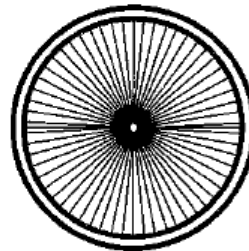
Hexagonal Windows

Minimum Width: 12"
 Maximum Width: 48"
 Minimum Height: 12"
 Maximum Height: 48"



Octagonal Windows

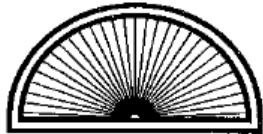
Minimum Width: 15"
 Maximum Width: 48"
 Minimum Height: 15"
 Maximum Height: 48"



Circular Windows

Minimum Diameter: 15"
 Maximum Diameter: 48"
Indicate the width and height at the center of the shade.

Note: Stationary shade for inside mount only.

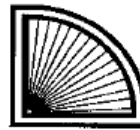


Arch Windows

Minimum Width: 12"
 Maximum Width: 84"
 Minimum Height: 1/4" of width or 6" (use largest size)
 Maximum Height: 1/2" of width or 42" (use smallest size)

Note: Stationary shade.

Note: Inside or outside mount.



Half Arch Windows

Minimum Width: 6"
 Maximum Width: 42"
 Minimum Height: 1/4" of width or 6" (use largest size)
 Maximum Height: 1/2" of width or 42" (use smallest size)

Note: Stationary shade.

Note: Inside or outside mount.

Arch Over Window Shades

Minimum Width: 12"
 Maximum Width: 48"
 Minimum Height: 18"
 Maximum Height: 144"



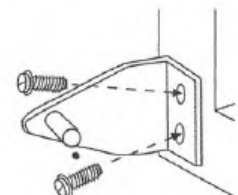
Special Brackets

Hold Down Brackets:

Hold down brackets are available to secure the bottomrail in position. These brackets stop a shade from bouncing and loosely swinging if the shade is hung on a door.

Spacer Blocks:

Spacer blocks are available for outside mount shades. When the shade must operate around an obstruction, these spacers project the shade away from the wall to clear the obstruction. Spacer blocks may be stacked for additional projection.



Wyman Empire

Cellular Shade Options

Battery Powered Motorized Cellular Shade

This cellular shade is operated by a battery powered motor system. At the press of a button, shades can be raised up, exposing a room to sunlight, or lowered down, filtering light from entering a room. This unique motor system has full lift control of shades that are up to 12.5 lbs. The motor is powered by AA lithium battery packs, which can be mounted to the ceiling or installed to the wall. The battery life expectancy is 1 to 5 years (based upon 4 operations per day and the weight of the shade). Battery powered cellular shades are available with radio frequency controls. Cellular shades controlled by radio frequency may be operated as an individual unit, as sub-groups, and as an entire group. Please consult Mariak technical support with any questions you may have.

Battery Powered Cellular Shade Surcharges: Batteries are included with motors & controls.

- RF Battery Motor – 12-volt..... \$ 750.00
- Radio Frequency Transmitter 1-Ch..... \$ 200.00
- Radio Frequency Transmitter 5-Ch..... \$ 260.00
- Radio Frequency Wall Switch 1-Ch..... \$ 470.00
- Radio Frequency Wall Switch 5-Ch..... \$ 500.00



RF Hand Held Transmitters Available As 1 & 5 Channel

RF Wireless Wall Switches Available As 1 & 5 Channel

Minimum Width:	27"	Approximate Size Restriction
Maximum Width:	96"	96" x 96" (Single Cell)
Minimum Height:	18"	84" x 84" (Double Cell)
Maximum Height:	96"	72" x 72" (Blackout Cell)

Cellular Shade Fabric Information

Factory Deductions: Inside mount shades have a 3/8" deduction in width.

Headrail Dimensions:

Headrail Type	Cellular Fabric Type	Dimensions
Standard Pull Cord	All Fabrics	1 5/8" X 3/4"
Continuous Cord Loop	All Fabrics	1 5/8" X 1 1/2"

Stack Height Chart: (Includes Headrail and Bottomrail)

Height of Shade	Total Thickness			
	9/16" Single Cell	7/16" Double Cell	3/4" Single Cell	3/4" Blackout
12" – 18"	1 3/4"	2 3/8"	1 5/8"	5"
19" – 30"	2 1/8"	2 3/4"	1 3/4"	5 1/2"
31" – 42"	2 1/4"	3 1/8"	2"	6"
43" – 54"	2 1/2"	3 3/8"	2 1/4"	6 1/4"
55" – 66"	3"	3 3/4"	2 5/8"	6 1/2"
67" – 78"	3 1/2"	4"	2 7/8"	7"
79" – 90"	3 5/8"	4 3/8"	3"	7 3/8"
91 – 96"	4 1/4"	4 5/8"	3 1/8"	7 5/8"

Note: These are estimated measurements and may vary slightly.

Cleaning Instructions:

Shades should be dusted regularly with a soft, clean cloth, feather duster or lightly vacuumed with a soft brush attachment. To spot clean, use a cloth or sponge with mild detergent and lukewarm water. Rinse thoroughly. Complete immersion is not recommended unless shade is badly soiled. If shade is immersed in water, make certain that all hardware components are thoroughly dried immediately after rinsing. Drain any excess water from fabric and raise shade to set pleats. Lower shade until fabric is completely dry.

Safety Information:

To insure child safety, it is strongly recommended that each shade be installed with a cord safety cleat provided by the manufacturer.

Surcharges:

- Cutouts = \$45.00 per cutout
- Top-Down/Bottom-Up = \$60.00 per shade
- Top-Down Only = \$65.00 + Continuous Cord Loop surcharge per shade
- Top-Down/Bottom-Up Cordless = Cordless Surcharge based on price tables + \$60.00
- Day/Night = Price as the total of two separate shades
- Fanned Angled Top or Angled Bottom = \$125.00 per shade

- Battery Powered Motorized Shade = Refer to Page 7
- Cordless Options = See price tables
- Arches, Half Arches, & Specialty Shapes = \$125.00
- Two-On-One Headrail = \$30.00 (price as on overall)
- Three-On-One Headrail = \$50.00 (price as on overall)

Wyman Empire

Suggested Price List Table #1

Fabric	Colors	Fabric Width	Privacy Rating	Type
9/16" Single Cell Point Bond	5	144"	Light Filtering	Point Bond
9/16" Single Cell Linen Print	1	144"	Light Filtering	Point Bond

****Note: Shades with Linen Print incur a 15% surcharge****

Width

Size	24	30	36	42	48	54	60	66	72	84	96	108	120	132	144
36	84	96	108	121	134	146	160	172	185	212	238	277	305	334	362
42	90	103	117	132	146	160	174	188	204	233	263	306	337	369	401
48	96	112	127	142	158	174	189	206	222	255	288	335	370	405	440
54	102	118	135	153	170	188	204	223	240	276	312	365	402	441	479
60	108	125	146	164	182	202	220	240	259	297	337	394	436	477	518
66	116	134	155	174	195	216	234	256	277	319	361	422	468	513	557
72	122	142	164	185	207	229	250	273	295	341	385	451	500	548	596
78	128	150	173	195	220	242	266	290	313	362	409	481	532	584	635
84	134	155	181	205	231	255	282	305	330	380	431	506	562	616	674
90	140	164	189	216	243	268	298	322	348	402	456	535	594	651	713
96	146	172	197	225	253	280	314	337	365	421	478	561	622	683	752
102	152	180	206	235	266	294	330	353	383	443	500	585	647	710	791
108	158	190	215	245	277	306	346	368	399	461	522	611	678	740	831
114	162	196	224	256	289	320	362	385	418	483	548	642	704	768	864
120	167	204	232	266	300	333	378	400	433	502	572	671	731	798	870
132	178	214	250	286	323	359	394	432	468	546	621	700	761	830	905
144	188	228	268	306	346	385	424	464	506	589	671	727	792	864	942
Cord Loop	44	48	50	54	58	60	64	68	70	74	78	82	84	88	90
Cordless	90			140				180			230	N/A			

Note: Shades measuring more than 96" are recommended to be a 2 on 1 shade

Note: Shades measuring more than 72" are recommended with continuous cord loop

Surcharges	
Linen Print	15%
Cutouts	\$45 Per Cutout
Top Down/Bottom Up	\$60 (If cordless add \$60 to cordless surcharge)
Top Down Only	\$65 plus continuous cord surcharge
Day Night	Price as two separate Shades
Two on One Headrail	\$30 Price as one overall shade
Three on One Headrail	\$50 Price as one overall shade
Fanned Angle Top or Angled Bottom	\$125
Arches and Specialty Shapes	\$125

Freight Policy:

Shades 96" and under are \$4.00 per shade

Shades 96"-130" boxed size are \$75 per shade (up to \$150.00)

Shade 130" and up incur a \$150.00 flat freight fee

Effective June 2010

Wyman Empire

Suggested Price List Table #2

Fabric	Colors	Fabric Width	Privacy Rating	Type
9/16" Single Cell Spunlace	29	144"	Light Filtering	Spunlace
3/4" Single Cell Spunlace	29	144"	Light Filtering	Spunlace

Width

Size	24	30	36	42	48	54	60	66	72	84	96	108	120	132	144
36	94	107	121	135	149	163	175	189	202	231	261	304	334	364	392
42	100	114	130	148	163	179	193	210	225	257	291	338	373	406	439
48	107	124	142	160	176	193	210	227	246	282	317	369	407	445	482
54	114	132	152	171	190	209	227	247	268	306	346	405	447	487	529
60	121	142	162	181	203	225	245	266	288	330	374	438	483	528	572
66	128	150	173	195	217	241	262	286	310	356	402	471	521	568	616
72	135	158	180	206	232	257	278	304	330	380	431	508	560	612	662
78	142	166	192	219	247	273	297	326	351	405	461	537	593	649	705
84	149	176	204	232	260	287	314	344	372	428	486	570	630	690	749
90	156	185	214	244	273	302	330	362	393	452	512	602	665	728	792
96	163	192	224	256	286	317	347	379	413	476	539	633	700	766	832
102	170	201	234	268	300	333	364	399	433	500	567	664	734	796	866
108	175	208	243	277	312	344	379	415	452	522	593	694	767	828	900
114	183	216	252	290	326	360	396	435	473	547	621	727	798	862	936
120	189	224	263	302	340	375	413	455	494	571	649	762	830	896	973
132	204	241	283	324	366	404	444	492	533	619	705	792	862	931	1012
144	216	257	302	347	391	433	476	531	574	667	762	824	898	970	1053
Cord Loop	44	48	50	54	58	60	64	68	70	74	78	82	84	88	90
Cordless	90			140				180			230	N/A			

Note: Shades measuring more than 96" are recommended to be a 2 on 1 shade

Note: Shades measuring more than 72" are recommended with continuous cord loop

Surcharges	
Linen Print	15%
Cutouts	\$45 Per Cutout
Top Down/Bottom Up	\$60 (if cordless add \$60 to cordless surcharge)
Top Down Only	\$65 plus continuous cord surcharge
Day Night	Price as two separate Shades
Two on One Headrail	\$30 Price as one overall shade
Three on One Headrail	\$50 Price as one overall shade
Fanned Angle Top or Angled Bottom	\$125
Arches and Specialty Shapes	\$125

Freight Policy:

Shades 96" and under are \$4.00 per shade

Shades 96"-130" boxed size are \$75 per shade (up to \$150.00)

Shade 130" and up incur a \$150.00 flat freight fee

Effective June 2010

Wyman Empire

Suggested Price List Table #3

Fabric	Colors	Fabric Width	Privacy Rating	Type
7/16" Double Cell Spunlace	29	144"	Light Filtering	Spunlace

Width

Size	24	30	36	42	48	54	60	66	72	84	96	108	120	132	144
36	111	126	143	160	177	192	207	224	238	273	309	359	395	429	463
42	119	135	153	175	192	212	228	248	266	304	343	399	440	479	518
48	127	146	167	188	208	228	249	269	291	333	375	437	480	525	569
54	135	156	180	204	224	247	269	291	316	362	408	478	527	575	624
60	143	168	192	214	240	266	289	315	341	390	442	517	571	623	675
66	153	178	204	230	257	284	309	337	366	421	475	556	615	671	726
72	162	187	215	244	274	304	329	359	389	448	509	600	661	723	781
78	168	196	227	259	291	322	351	385	415	479	544	634	700	766	832
84	176	208	241	274	307	339	371	406	439	505	573	673	744	815	884
90	183	218	253	288	323	357	389	428	464	533	605	710	785	859	935
96	192	227	265	302	337	375	409	447	488	561	637	747	827	904	982
102	199	238	276	316	355	393	429	471	511	591	669	784	867	940	1022
108	207	245	287	327	368	407	447	490	534	617	669	819	905	978	1062
114	217	255	298	342	385	425	468	514	559	646	734	858	941	1017	1105
120	224	265	311	356	401	443	488	537	583	674	766	899	979	1057	1149
132	239	284	334	383	432	477	525	581	629	731	832	935	1018	1099	1195
144	255	304	357	409	462	511	562	627	678	788	899	973	1058	1144	1242
Cord Loop	44	48	50	54	58	60	64	68	70	74	78	82	84	88	90
Cordless	90			140				180			230	N/A			

Note: Shades measuring more than 96" are recommended to be a 2 on 1 shade

Note: Shades measuring more than 72" are recommended with continuous cord loop

Surcharges	
Linen Print	15%
Cutouts	\$45 Per Cutout
Top Down/Bottom Up	\$60 (if cordless add \$60 to cordless surcharge)
Top Down Only	\$65 plus continuous cord surcharge
Day Night	Price as two separate Shades
Two on One Headrail	\$30 Price as one overall shade
Three on One Headrail	\$50 Price as one overall shade
Fanned Angle Top or Angled Bottom	\$125
Arches and Specialty Shapes	\$125

Freight Policy:

Shades 96" and under are \$4.00 per shade

Shades 96"-130" boxed size are \$75 per shade (up to \$150.00)

Shade 130" and up incur a \$150.00 flat freight fee

Effective June 2010

Wyman Empire

Suggested Price List Table #4

Fabric	Colors	Fabric Width	Privacy Rating	Type
3/4" Single Cell Blackout	10	144"	Blackout	Composite

Width

Size	24	30	36	42	48	54	60	66	72	84	96	108	120	132	144
36	132	149	169	189	209	227	245	264	281	323	365	424	467	507	546
42	141	160	181	207	227	250	270	293	314	359	405	471	519	566	612
48	150	173	198	223	245	270	294	317	343	393	443	515	536	621	672
54	159	184	212	239	265	291	317	344	373	427	483	564	622	679	736
60	169	199	227	253	284	314	341	372	402	461	522	610	674	735	797
66	181	210	241	271	304	336	366	398	433	497	561	656	726	792	858
72	192	221	254	288	324	359	388	424	459	529	601	710	780	853	922
78	199	232	269	305	344	380	414	454	490	565	641	749	827	904	982
84	208	245	284	324	362	401	438	479	518	596	677	795	878	961	1042
90	217	258	299	341	381	422	459	505	547	631	714	838	927	1014	1103
96	227	269	313	356	398	443	483	529	576	663	752	882	975	1067	1159
102	235	281	326	373	419	464	507	556	603	698	790	926	1023	1109	1206
108	245	290	339	387	434	480	529	579	631	728	826	967	1068	1153	1253
114	256	301	352	404	454	501	552	607	660	763	866	1013	1111	1200	1304
120	264	313	367	421	474	523	576	634	688	796	905	1061	1156	1248	1355
132	283	336	395	452	510	563	619	685	742	862	982	1103	1201	1297	1410
144	301	359	422	483	546	603	663	740	800	930	1061	1149	1249	1350	1466
Cord Loop	44	48	50	54	58	60	64	68	70	74	78	82	84	88	90
Cordless	90			140				180			230	N/A			

Note: Shades measuring more than 96" are recommended to be a 2 on 1 shade

Note: Shades measuring more than 72" are recommended with continuous cord loop

Surcharges	
Linen Print	15%
Cutouts	\$45 Per Cutout
Top Down/Bottom Up	\$60 (if cordless add \$60 to cordless surcharge)
Top Down Only	\$65 plus continuous cord surcharge
Day Night	Price as two separate Shades
Two on One Headrail	\$30 Price as one overall shade
Three on One Headrail	\$50 Price as one overall shade
Fanned Angle Top or Angled Bottom	\$125
Arches and Specialty Shapes	\$125

Freight Policy:

Shades 96" and under are \$4.00 per shade

Shades 96"-130" boxed size are \$75 per shade (up to \$150.00)

Shade 130" and up incur a \$150.00 flat freight fee

Effective June 2010

Wyman Empire

Suggested Price List Table #5

Fabric	Colors	Fabric Width	Privacy Rating	Type
9/16" Single Cell Sheer	4	144"	Translucent	Sheer

Width

Size	24	30	36	42	48	54	60	66	72	84	96	108	120	132	144
36	134	151	171	191	211	229	247	266	283	325	367	426	469	509	548
42	143	162	183	209	229	252	272	295	316	361	407	473	521	568	614
48	152	175	200	225	247	272	296	319	345	395	445	517	538	623	674
54	161	186	214	241	267	293	319	346	375	429	485	566	624	681	738
60	171	201	229	255	286	316	343	374	404	463	524	612	676	737	799
66	183	212	243	273	306	338	368	400	435	499	563	658	728	794	860
72	194	223	256	290	326	361	390	426	461	531	603	712	782	855	924
78	201	234	271	307	346	382	416	456	492	567	643	751	829	906	984
84	210	247	286	326	364	403	440	481	520	598	769	797	880	863	1046
90	219	260	301	343	383	424	461	507	549	633	716	840	929	1016	1105
96	229	271	315	358	400	445	485	531	578	665	754	884	977	1069	1161
102	237	283	328	375	421	466	509	558	605	700	792	928	1025	1111	1208
108	247	292	341	389	436	482	531	581	632	730	828	969	1070	1155	1255
114	258	303	354	406	456	503	554	609	662	765	868	1015	1113	1202	1306
120	266	315	369	423	476	525	578	636	690	798	907	1063	1158	1250	1356
132	285	338	397	454	512	565	621	687	744	864	984	1105	1203	1299	1412
144	303	361	424	485	548	605	665	742	802	932	1063	1151	1251	1352	1468
Cord Loop	44	48	50	54	58	60	64	68	70	74	78	82	84	88	90
Cordless	90			140				180			230	N/A			

Note: Shades measuring more than 96" are recommended to be a 2 on 1 shade

Note: Shades measuring more than 72" are recommended with continuous cord loop

Surcharges	
Linen Print	15%
Cutouts	\$45 Per Cutout
Top Down/Bottom Up	\$60 (if cordless add \$60 to cordless surcharge)
Top Down Only	\$65 plus continuous cord surcharge
Day Night	Price as two separate Shades
Two on One Headrail	\$30 Price as one overall shade
Three on One Headrail	\$50 Price as one overall shade
Fanned Angle Top or Angled Bottom	\$125
Arches and Specialty Shapes	\$125

Freight Policy:

Shades 96" and under are \$4.00 per shade

Shades 96"-130" boxed size are \$75 per shade (up to \$150.00)

Shade 130" and up incur a \$150.00 flat freight fee

Effective June 2010

Wyman Empire

Suggested Price List Table #6

Fabric	Colors	Fabric Width	Privacy Rating	Type
9/16" Single Cell Crushed	5	144"	Light Filtering	Spunlace

Width

Size	24	30	36	42	48	54	60	66	72	84	96	108	120	132	144
36	150	171	194	217	239	260	280	302	323	370	417	486	535	582	627
42	160	183	208	236	260	286	309	335	360	411	465	541	596	649	702
48	171	198	227	255	281	309	336	364	394	451	507	591	651	712	770
54	181	210	242	273	304	334	364	395	429	490	554	647	714	779	845
60	194	227	259	290	325	360	391	426	461	529	598	701	773	844	915
66	206	240	277	311	348	385	419	458	496	570	643	753	833	909	985
72	220	252	291	330	371	411	445	486	527	607	689	813	894	979	1059
78	227	265	308	350	395	436	475	521	562	648	737	859	949	1038	1128
84	238	281	327	371	416	458	502	550	595	685	777	912	1007	1103	1199
90	248	295	342	390	437	483	527	579	628	723	819	963	1064	1165	1267
96	259	308	359	408	458	507	554	606	660	760	863	1013	1120	1225	1331
102	270	321	373	429	479	532	582	639	693	801	907	1063	1175	1273	1384
108	280	333	389	444	499	551	606	664	723	835	947	1110	1227	1325	1440
114	292	345	404	464	521	576	633	695	757	876	994	1163	1276	1378	1498
120	302	359	421	483	543	600	660	728	791	914	1039	1219	1327	1433	1557
132	323	385	452	518	585	646	710	787	853	990	1128	1267	1380	1490	1619
144	345	411	483	554	626	692	762	849	918	1068	1219	1319	1434	1550	1684
Cord Loop	44	48	50	54	58	60	64	68	70	74	78	82	84	88	90
Cordless	90			140				180			230	N/A			

Note: Shades measuring more than 96" are recommended to be a 2 on 1 shade

Note: Shades measuring more than 72" are recommended with continuous cord loop

Surcharges	
Linen Print	15%
Cutouts	\$45 Per Cutout
Top Down/Bottom Up	\$60 (if cordless add \$60 to cordless surcharge)
Top Down Only	\$65 plus continuous cord surcharge
Day Night	Price as two separate Shades
Two on One Headrail	\$30 Price as one overall shade
Three on One Headrail	\$50 Price as one overall shade
Fanned Angle Top or Angled Bottom	\$125
Arches and Specialty Shapes	\$125

Freight Policy:

Shades 96" and under are \$4.00 per shade

Shades 96"-130" boxed size are \$75 per shade (up to \$150.00)

Shade 130" and up incur a \$150.00 flat freight fee

Effective June 2010