

# TRADEWINDS® NATURAL SHADES AND DRAPES

## Table of Contents

### Features

Natural Shades, Natural Drapes . . . . .	2
Nature's Beauty of Natural Shades . . . . .	3
Material Styles and Information: Natural Shades and Natural Drapes . . . . .	4

### Size Considerations

Natural Shades, Depth Requirements for Inside Mount, Natural Drapes, Depth Requirements for Inside Mount . . . . .	5
--	---

### Options

Summary . . . . .	6
Cord Lift: Natural Shades, Continuous-Loop Lift: Natural Shades, Cordless Lift: Natural Shades . . . . .	7
Motorized Lift: Natural Shades, Motorized Quick Reference, Bottom Up/Top Down: Natural Shades . . . . .	8
Natural Drapes Control Options, Fullness: Natural Drapes . . . . .	9
Liners: Natural Shades and Natural Drapes, Edge Banding and Colors: Natural Shades and Natural Drapes . . . . .	10
Cut-Outs: Natural Shades, Angle Top: Natural Shades . . . . .	11
Multiple Shades on One Headrail: Natural Shades . . . . .	12
Bay and Corner Windows . . . . .	13
Valance: Natural Shades, Valance: Natural Drapes, Deco-Trim Valance or Hems: Natural Shades . . . . .	14
Valance Returns for Standard Valances, Valance: Premiere Valance Only: Natural Shades and Natural Drapes . . . . .	15
Accent Gimp: Natural Shades, Deco-Pocket Hem: Natural Shades . . . . .	16
Turned Headrail: Natural Shades . . . . .	17

### General Information

Stack Charts: Natural Shades, Stack Height: Natural Shades . . . . .	18
Stack Charts: Natural Drapes, Natural Drapes 10% Standard Fullness Stack Chart, Natural Drapes 60% Fullness Stack Chart . . . . .	19
Natural Shades Product Detail . . . . .	20
Natural Shades Looped Roman Product Detail . . . . .	21
Natural Shades Cordless Lift Product Detail, Natural Shades Continuous-Loop Lift Product Detail . . . . .	22
Natural Drapes Product Detail . . . . .	23

### Price Charts and Options Pricing

Price Group A: Lipo, Revelry . . . . .	25
Price Group B: Chencun, Escape, Majian, Serenity, Toushan II . . . . .	26
Price Group C: Inan, Moniz, Yunnan . . . . .	27
Price Group D: Amour, Boardwalk, Majuro . . . . .	28
Price Group E: Beachfront, Meilin, Satterra, Terrestrial, Zishan . . . . .	29
Price Group F: Azores, Madeira, Merino, Paralian . . . . .	30
Price Group G: Lipo, Revelry . . . . .	31
Price Group H: Chencun, Escape, Majian, Serenity, Toushan II . . . . .	32
Price Group I: Inan, Moniz, Yunnan . . . . .	33
Price Group J: Amour, Boardwalk, Majuro . . . . .	34
Price Group K: Azores, Madeira, Merino, Paralian . . . . .	35
Options Pricing, Natural Shade Options, Natural Drape Options, Premiere Valance Only . . . . .	36



## Features

### Natural Shades



Graber® Natural Shades are crafted from bamboo reed, slit bamboo, sisal, grass, and jute materials. They add natural color, texture, and dimension to your windows and create a comfortable atmosphere of casual elegance or simple sophistication.

- Standard Roman, old style Roman, or looped Roman shade designs
- Wide selection of colors, textures, and unique weaves
- Cord lift, cordless lift, continuous-loop lift, bottom up/top down, and motorized lift available
- 6" (15.3 cm) valance with horizontally oriented material is standard on shades except for motorized lift and continuous-loop lift
- 9" (22.9 cm) valance with horizontally oriented material is standard on shades with motorized lift and continuous-loop lift
- Premiere valance is standard on shades with cordless lift

### Natural Drapes



- Natural drapes feature the rolling qualities of drapery in vertically oriented natural shade material
- Features corded or wand control in single or split stack
- Choose from standard fullness (when closed, waves slightly) or a 60% fullness (when closed, features drapery-like appearance)
- Premiere valance with vertical material orientation included with drape
- Shade without valance (optional, no additional charge) is not recommended, as aluminum headrail and hardware will be visible; suggested when ordering wood cornice
- Valance and returns will extend  $\frac{3}{8}$ " (1.0 cm) per side on inside mount, and  $\frac{1}{16}$ " (1.5 cm) to  $\frac{5}{8}$ " (1.6 cm) per side on outside mount, further than drape width
- Edge banding required on the drapes and valance
  - Select from 1" (2.6 cm) or 2" (5.1 cm) solid edge banding for the drapes
  - Valance uses matching 1" (2.6 cm) edge banding on vertical orientation, up to 2" (5.1 cm) on horizontal orientation

**NOTE:** Not available with Beachfront, Meilin, Saterra, Terrestrial, and Zishan.

# Features

## Nature's Beauty of Natural Shades



There is simply no substitute for the beauty of the materials used in natural shades. The colors and textures of bamboo, reeds, grass, and jute have a distinct character and one-of-a-kind look that synthetic materials can't match.

### Unique Characteristics of Natural Shades

#### Asymmetry

Materials used in natural shades are naturally grown and harvested. Variations in shape, thickness, texture, and grain are to be expected from Mother Nature. While adding personality, these variations create asymmetry in the weave that may alter the appearance of the finished shades. Specifically, you may notice:

- **Uneven Spacing or Gaps**—Differences in bamboo or reed shapes and thicknesses can create uneven spacing or gaps in the weave
- **Pattern Changes or Gaps**—The varying thickness of grassy materials, tied knots, and splices can create visual disruptions in the weave pattern or gaps in the weave
- **Length Differences**—Variations in thickness, bamboo joints, or reed sizes can create length differences from both sides of the shades
- **Bowing or Arching**—Different drying rates of bamboo fibers can create a bowing or arching effect on the finished shades

To minimize variations, all materials used are hand selected to comply with strict specifications. These variations are not considered flaws, but rather normal characteristics expected from naturally grown materials.

#### Color

Evolving with age, the color of bamboo, reeds, grasses, jute, and other natural materials will change slightly. Depending on material composition, they may lighten or darken due to direct sunlight or other climatic conditions. Uncolored or natural materials will experience the most color shift, changing from a green color at harvest to a yellow-brown color over three to six months. Color matching of shades cannot be guaranteed as these are natural reactions to aging.

With character, however, comes inherent natural properties that may influence the appearance of the finished shade. Recognizing and understanding the characteristic traits of natural materials provides more satisfaction and enjoyment once you know why each shade is truly unique!

#### Stretching/Sagging

The natural elasticity of yarns, combined with the weight of the woven material, may cause shades to stretch or sag from 1" (2.6 cm) to 1½" (3.9 cm), and sliding panels to stretch or sag from 1" (2.6 cm) to 2" (5.1 cm) after installation. This is particularly noticeable on inside mount shades or shades that extend from ceiling to floor. Ordering shades shorter than needed will help compensate for stretching over time. Adding edge banding not only gives your shades a truly personal touch, but also helps to control stretching.

#### Tips

During the shipping process, the natural material may have shifted slightly due to its woven construction, causing slight shortening or uneven edges.

**Height**—If after installation, the shades are slightly shorter than ordered, grasp the bottom of the shades and gently pull to stretch to the preferred height. Some materials will also stretch by themselves over time.

**Uneven Edges**—Lightly tap edge of the shades with a flat edge (for example, a ruler) until even.

**Frayed Edges**—If threads come loose near the edges, use a sharp scissors to trim off stray threads.

#### Light Control and Privacy

**Sheer**—Allows the most amount of light into the room for a minimum amount of privacy and a view to the outside. Objects in the room can be seen quite clearly through shades.

**Light Filtering**—Allows light to gently filter through and provides privacy. Images and shapes may be seen through these shades.

Natural shades may have variations and visual inconsistencies in color, weave, grain, and texture. They may also crack or split, twist or bow, shrink or stretch, and change color over time due to aging, direct sunlight, or other climatic conditions. These unique characteristics are inherent in natural materials and are not considered defects in material or workmanship. Exact color matches cannot be guaranteed.

## Features

### Material Styles and Information: Natural Shades and Natural Drapes

Style Name	Color Name	Color Number	Maximum Fabric Width inches (cm)	Light Control and Privacy*	Material Content	Shades Price Group	Drapes Price Group	Sliding Panels Price Group**
Amour	Radiant Pearl	00001 00116	96 (243.9)	Light filtering	Bamboo reed	D	J	H
Azores	Snow Suede	35060 35061	96 (243.9)	Light filtering	Wood	F	K	J
	Sycamore	35062						
	Carob	35063						
Beachfront	Tidepool	60040	96 (243.9)	Sheer	Bamboo reed	E	N/A	I
	Surf Thatch	60041 60042						
Boardwalk	Pier	15968	96 (243.9)	Sheer to light filtering	Bamboo reed, grass, jute	D	J	H
Chencun	White	60417	96 (243.9)	Sheer to light filtering	Slit bamboo, bamboo reed	B	H	F
	Appaloosa	00846						
Escape	Forest Island	25601 25602	96 (243.9)	Light filtering	Bamboo reed	B	H	F
	Inan	Umber	04858	96 (243.9)	Sheer to light filtering	Slit bamboo, bamboo reed, jute rope	C	I
Lipo	Earhtones	06793	96 (243.9)	Sheer to light filtering	Slit bamboo, bamboo reed, jute rope	A	G	E
	Ambrosia	06702						
	Java	06703						
	Tahoe	60705						
Madeira	Brunette	65010	96 (243.9)	Light filtering	Bamboo reed	F	K	J
	Wolf	65011						
Majian	Toffee	32296	96 (243.9)	Sheer to light filtering	Bamboo reed	B	H	F
	Driftwood	32445						
Majuro	Daisy	45070	96 (243.9)	Light filtering	Bamboo reed, jute	D	J	H
	Cattail	45071						
	Trail	45072						
	Stonybrook	45073						
Meilin	Onyx	51227	96 (243.9)	Light filtering	Jute, jute braid, bamboo reed	E	N/A	I
	Chroma	51201						
Merino	Burgos	50503	96 (243.9)	Sheer to light filtering	Bamboo reed, jute, jute braid	F	K	J
	Sevilla	55506						
	Grenada	55507						
	Belize	55508						
Moniz	Finland	05080	96 (243.9)	Light filtering	Bamboo reed, grass rope	C	I	G
	Peru	05081						
	Austria	05083						
	Belgium	05084						
Paralian	Mink	25050	96 (243.9)	Light filtering	Bamboo, paper yarn	F	K	J
	Sand Dollar	25051						
	Otter	25052						
Revelry	Birdnest	80045	96 (243.9)	Sheer to light filtering	Bamboo reed	A	G	E
	Dusk	80743						
	Dove	80745						
Saterra	Azure	03269	96 (243.9)	Sheer	Jute	E	N/A	I
	Terrain	03370						
	Veridian	03371						
Serenity	Haze	11502	96 (243.9)	Light filtering	Bamboo reed	B	H	F
	Dover White Coastline	15700 15702						
Terrestrial	Alpaca	28001	96 (243.9)	Light filtering	Grass	E	N/A	I
	Camel	28003						
Toushan II	Taupe	63659	96 (243.9)	Light filtering	Slit bamboo, bamboo reed	B	H	F
	Mocha	63759						
Yunnan	Arctic Seal	19585	96 (243.9)	Light filtering	Slit bamboo, bamboo reed, grass rope	C	I	G
	Sky	19586						
	Rocky Shore	19587						
Zishan	Auburn	43689	96 (243.9)	Light filtering	Grass, bamboo reed	E	N/A	I
	Stardust	43731						
	Toast	43734						
	Feather	30735						
	Hut	30736						
	Hula	30737						

\*Privacy and light control without liner; addition of privacy or room-darkening liner improves privacy and light control.

\*\*See sliding panels cost and product reference guide for more information.

\*\*\*All fabrics have similar streetside appearance.

N/A = Not available

# Size Considerations

## Natural Shades

	Width		Height	
	Minimum inches (cm)	Maximum inches (cm)	Minimum inches (cm)	Maximum inches (cm)
Standard Roman Old Style Roman	10 (25.4) outside mount 10½ (26.7) inside mount	96 (243.9) single 144 (365.8) multiple 72 (182.9) with deco-pocket accent rod	10 (25.4) 16 (40.7) with deco-pocket hem	120 (304.8)
Looped Roman	12 (30.5) outside mount 12½ (31.8) inside mount			
Bottom Up/Top Down	14 (35.6) outside mount 14½ (36.9) inside mount	144 (365.8)	10 (25.4)	108 (274.4)
Continuous-Loop Lift	24 (61.0) outside mount 24½ (62.3) inside mount			
Cordless Lift	12 (30.5) outside mount 12½ (31.8) inside mount	96 (243.9) single 144 (365.8) multiple	10 (25.4)	See price charts
Multiple Shades on One Headrail	20½ (52.1) exact	144 (365.8)	10 (25.4)	See price charts
12 Volt Motorized Lift	18 (45.8) outside mount 18½ (47.0) inside mount	Determined by square feet; see motorization price list for more details.		
24 Volt Motorized Lift	22 (55.9) outside mount 22½ (57.2) inside mount			

## Depth Requirements for Inside Mount

Type of Shade	Headrail Dimensions inches (cm)	Minimum Depth Mount inches (cm)	
		Partially recessed valance in window casing/molding	Fully recessed valance in window casing/molding
Standard, Old Style, and Looped Roman Bottom Up/Top Down	5/8 x 1½ (1.6 x 3.9)	¾ (2.0)	2 7/16 (6.2)
Cordless Lift	1½ x 2 1/8 (3.9 x 5.4)		4 ¼ (10.8)
Continuous-Loop Lift Motorized Lift	5/8 x 2 ¼ (1.6 x 5.8)	¾ (2.0)	3 7/16 (8.1)
Turned Headrail	1½ x 5/8 (3.9 x 1.6)		1 5/8 (4.2) standard Roman 1 (2.6) old style Roman

## Natural Drapes

	Width		Height	
	Minimum inches (cm)	Maximum inches (cm)	Minimum inches (cm)	Maximum inches (cm)
Standard Drapery Fullness	16 (40.7) outside mount	192 (487.7)	20 (50.8)	96 (243.9)
60% Drapery Fullness	17 (43.2) inside mount			

**NOTE:** Minimum surface for outside mount: 3" (7.7 cm).

## Depth Requirements for Inside Mount

Headrail Dimensions inches (cm)		Minimum Depth Mount inches (cm)	
		Partially recessed valance in window casing/molding	Fully recessed valance in window casing/molding
Cord Control = 7/8 x 1 1/8 (2.3 x 4.8)	Standard drapery fullness	3 3/8 (9.3)	8 (20.4)
	60% drapery fullness	4 1/2 (11.5)	
Wand Control = 7/8 x 1 1/2 (2.3 x 3.9)	Standard drapery fullness	3 3/8 (9.3)	8 (20.4)
	60% drapery fullness	4 1/2 (11.5)	

# Options

## Summary

The following is a list of options for natural shades. Most options are available in all styles and colors. Limitations will be based on fabric width and fabric type. See detailed descriptions on the following pages.

	Standard Roman	Old Style Roman	Looped Roman
Cord Lift	•	•	•
Cordless Lift	•		
Continuous-Loop Lift	•	•	•
Motorized Lift	•	•	
Bottom Up/Top Down	•		
Angle Top	•		
Cut-Outs	•	•	
Multiple Shades on One Headrail	•	•	•

### No Charge Options: Natural Shades

- Bay or corner window
- Hold down brackets<sup>†</sup>
- 3½" (8.0 cm) projection brackets
- 2" (5.1 cm) short returns
- Turned headrail
- Valances
  - 6" (15.3 cm) standard
  - 6" (15.3 cm) premiere (standard with cordless lift)
  - 9" (22.9 cm) standard (standard with continuous-loop lift and motorized lift)
  - No valance (always optional)

### Surcharge Options: Natural Shades

- Control types
  - Cordless lift
  - Motorized lift
  - Continuous-loop lift
- Bottom up/top down
- Multiple shades on one headrail
- Specialty shades
  - Angle top
- Cut-outs
- Liners
- Edge banding\*
- Decorative cord cleats
  - Antique brass
  - Solid brass
- Cord winder
- Wood cornices/valances
- Valances
  - 9" (22.9 cm) standard
  - 6" (15.3 cm) premiere
    - Horizontal or vertical orientation
  - 9" (22.9 cm) premiere
    - Horizontal or vertical orientation
  - 9" (22.9 cm) deco-trim valance
- Deco-trim hem
- Deco-pocket hem

### No Charge Options: Natural Drapes

- Control types
  - Cord control
  - Wand control
- Ceiling mount brackets
- Edge banding\*
- Valances
  - 6" (15.3 cm) premiere (standard with natural drapes)
    - Horizontal or vertical orientation
  - 9" (22.9 cm) premiere
    - Horizontal or vertical orientation
  - No valance (always optional)
- Fullness: standard (slight wave when closed)

### Surcharge Options: Natural Drapes

- Fullness: 60% (drapery-like appearance when closed)
- Liners
- Wood cornices/valances

\*Edge banding: Optional on shades or valances with horizontally oriented material; required on valances with vertically oriented material.

<sup>†</sup>Hold down brackets: Only available at time of order. Cannot be retrofitted. Not available with edge banding, deco-trim, or deco-pocket hem.

# Options

## Cord Lift: Natural Shades



- **No charge**
- Color coordinated cord and tassels
- Controls can be on the right or left of the shade
- Safety cord cleat provides the ability to keep the cord out of reach for children and pets
- Standard cord length is approximately  $\frac{2}{3}$  of the shade height

## Continuous-Loop Lift: Natural Shades



Cord shown; bead chain is used on shades over 30 square feet (2.8 square meters)

- **For surcharge, see options pricing**
- Available on standard Roman, old style Roman, and looped Roman shades
- Continuous-loop lift control raises and lowers the shade and is color coordinated to the shade material
  - Shades under 30 square feet (2.8 square meters) have color coordinated cord
  - Shades over 30 square feet (2.8 square meters) will use a nickel-plated steel bead chain loop in place of cord
  - When ordering different size shades for the same room, specify if bead chain is preferred for all shades
- Allows for easier operation of larger shades
- 9" (22.9 cm) valance is standard with the continuous-loop lift option; (6" (15.3 cm) valance not available)
- Not available with bottom up/top down or angle top shades

## Cordless Lift: Natural Shades



- **For surcharge and size restrictions, see price charts**
- Available on standard Roman shades
- Cordless lift shades offer a safer alternative for homes with children and pets
- Easy to use: to lower shade, pull down; to raise shade, simply guide the shade into the desired location by gently lifting the hemrail
- Not available with cut-outs, bottom up/top down, deco-trim, or deco-pocket hems, or angle top shades
- Premiere valance included at time of order; see valance options for available styles

### For Shades Less Than 17" (43.2 cm) in Width

If Finished Shade Width is inches (cm)	Maximum Height of Shade is inches (cm)
Equal to 12 (30.5) but less than 12½ (31.8)	23¼ (59.1)
Equal to 12½ (31.8) but less than 13 (33.1)	29½ (75.0)
Equal to 13 (33.1) but less than 13½ (34.3)	35¾ (90.9)
Equal to 13½ (34.3) but less than 14 (35.6)	42½ (107.0)
Equal to 14 (35.6) but less than 14½ (36.9)	48¾ (122.9)
Equal to 14½ (36.9) but less than 15 (38.1)	54¾ (138.8)
Equal to 15 (38.1) but less than 15½ (39.4)	61 (155.0)
Equal to 15½ (39.4) but less than 16 (40.7)	67¾ (170.9)
Equal to 16 (40.7) but less than 16½ (42.0)	73½ (186.7)
Equal to 16½ (42.0) but less than 17 (43.2)	79¾ (202.6)
Equal to 17 (43.2) or more	See price charts



# Options

## Motorized Lift: Natural Shades



Refer to motorization price list for additional options, sizing, and pricing.

### Features

- Window treatments can be operated from virtually anywhere in the home
- Provides easy operation of hard-to-reach or large window coverings
- Efficiently manages energy (heat gain and loss)
- Operate multiple window treatments simultaneously or individually
- A safer alternative to traditional cords used to operate window coverings; ideal for homes with children and pets
- Easily integrated with home automation systems
- Low voltage motorization requires no costly electrical hard-wiring

### Details

- Motor located on right side within the headrail
- Multiple controls and power options available
- Available on standard Roman and old style Roman
- Available with 9" (22.9 cm) valance only; no valance is optional
- Multiple shades on one headrail available; each panel will have a motor and power source
- Available with bottom corner and bottom center cut-outs
- Not available with bottom up/top down or specialty shapes
- Not available with hold down brackets

**NOTE:** Motorization components and accessories have a five-year limited warranty, excluding batteries.

## Motorized Quick Reference

	Yes	No
Standard Roman	•	
Old Style Roman	•	
Looped Roman		•
Bottom Up/Top Down		•
Angle Top		•
Multiple Shades on One Headrail	•	

## Bottom Up/Top Down: Natural Shades



For surcharges, see options pricing

### Features

- Allows shades to be raised from the bottom up like a conventional shade, or operated from the top down
- Provides privacy while still allowing light in from the top of the window
- Ideal for bedrooms

### Details

- Edge banding and liner options available
  - Liner recommended for valances
- Right control will raise the bottom; left control will lower the top (standard control locations only)
- Available as multiple shades on one headrail (maximum width of all shades = 144" (365.8 cm))
- 4" (10.2 cm) seclusion strip (street side) will be applied on blinds that are inside mount to conceal the headrail component (not available on outside mount)
- Available with all valance options
- Not available with looped Roman, old style, angle top shades, continuous-loop lift, turned headrail, motorized lift, or cordless lift



# Options

## Natural Drapes Control Options



### Cord Control, no charge

- Cord and heavy duty tension pulley hidden behind drape
- Stack right, left, or split

### Wand Control, no charge

- Ivory fiberglass wand positioned behind drape
- Stack right, left, or split
- Split stack will have 2 wands



### Wand Control Chart

Finished Blind Length inches (cm)	Cord Control Length inches (cm)	Wand Length inches (cm)
Up to 30 (76.2)	14 (35.6)	12 (30.5)
30 <sup>1</sup> / <sub>16</sub> to 48 (76.4 to 122.0)	26 (66.1)	24 (61.0)
48 <sup>1</sup> / <sub>16</sub> to 77 (122.1 to 195.6)	38 (96.6)	36 (91.5)
77 <sup>1</sup> / <sub>16</sub> to 92 (195.8 to 233.7)	50 (127.0)	48 (122.0)
92 <sup>1</sup> / <sub>16</sub> to 96 (233.9 to 243.9)	62 (157.5)	60 (152.4)

## Fullness: Natural Drapes



Standard Fullness Right Stack



### For surcharges, see options pricing

- Standard fullness (when closed, waves slightly)
- 60% fullness (when closed, features drapery-like appearance)
- Premiere valance included at time of order; see valance options for available styles



60% Fullness Right Stack



# Options

## Liners: Natural Shades and Natural Drapes



### For surcharges, see options pricing

- Liners are 100% polyester
- Available up to 96" (243.9 cm) wide on shades and 192" (487.7 cm) on drapes
- Privacy and room-darkening liner colors available
- All liners are neutral to the street
- Liner reversal available upon request

### Privacy Liner

A privacy liner is a good choice for dining rooms, living rooms, and other semi-private areas, subduing the light that enters a room. Objects appear as silhouettes from the outside.

### Room-Darkening Liner

This liner blocks most incoming light and provides complete privacy. Ideal for bedrooms and media rooms.

Colors	Privacy Color Number	Room-Darkening Color Number
Cocoa	2297	6297
Taupe	2659	6659
Sand	2701	6701
Seal	2012	6012
Snow White	2909	6909

## Edge Banding and Colors: Natural Shades and Natural Drapes



### For surcharge, see options pricing

- Edge banding adds a framed color accent and can also eliminate material fray on edge of shade
- 1" (2.6 cm) or 2" (5.1 cm) fabric banding is applied to sides and bottom of shade and valance
- Deco-trim valance may be ordered with edge banded shades, valance will not have edge banding
- See chart for colors
- Edge banding not available on deco-trim or deco-pocket hems, angle top shades, cut-outs, or with hold down brackets

### Woven Wood Drapes

- 1" (2.6 cm) or 2" (5.1 cm) solid colors available on top and bottom of drapes: **no charge**
- Optional 1" (2.6 cm) or 2" (5.1 cm) solid colors available on drape sides: **no charge**
- Lined drapes require edge banding on all four sides
- 1" (2.6 cm) edge banding of same color will be on top and bottom edge of valance
- Use chart below for colors

Edge Banding	1" (2.6 cm) Color Number	2" (5.1 cm) Color Number	Natural Shades	Natural Drapes
Black	7000	1000	•	•
Chocolate	7006	1005	•	•
Cocoa	7001	1001	•	•
Dark Beige	7005	1003	•	•
Gray	7176	1176	•	•
Light Sage	7173	1173	•	•
Mink Gray	7174	1174	•	•
Muslin	7172	1172	•	•
Serpentine Cocoa	N/A	3003	•	
Serpentine Cosmos	N/A	3170	•	
Serpentine Landscape	N/A	3171	•	
Smoke	7175	1175	•	•
Snow White	7170	1170	•	•
Taupe	7008	1007	•	•
Toffee	7002	1002	•	•
Trellis Basalt	N/A	3172	•	
Trellis Dune	N/A	3173	•	
Vanilla	7171	1171	•	•

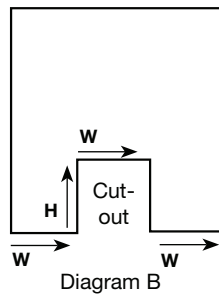
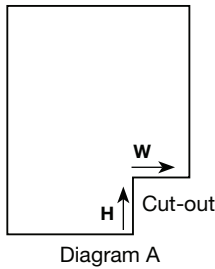
# Options

## Cut-Outs: Natural Shades



### For surcharge, see options pricing

- Available with standard and old style Roman shades
- Bottom corner cut-out (diagram A):
  - Maximum width: 6" (15.3 cm) cut-out
  - Any height (up to the headrail)
- Bottom center cut-out (diagram B):
  - Maximum height: 5" (12.7 cm) cut-out
  - Maximum width must leave 3" (7.7 cm) on each side of the cut-out
- Not available with: hold-down brackets, edge banding, deco-trim hems, deco-pocket hems, bottom up/top down shades, cordless lift, continuous-loop lift, or looped Roman shades



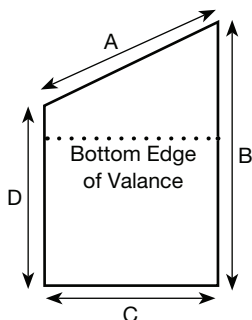
## Angle Top: Natural Shades



### For surcharges, see options pricing

- 3-day manufacturing time does not apply
- For angle top shades, supply all four measurements (A, B, C, D) as shown in the diagram below
- Shades will raise only to the bottom edge of the valance; the upper angled portion of the shades and valance cannot be opened and closed
- 6" (15.3 cm) and 9" (22.9 cm) standard valance only
- Valance requires gimp trim at the top edge by the headrail (A)
- Control location on low side only
- Not available with looped Roman shades, old style Roman shades, bottom up/top down, continuous-loop lift, cordless, motorized, turned headrail, or edge banding
- Valance returns are not available

Minimum Width	18" (45.8 cm) (outside mount) 18½" (47.0 cm) (inside mount)
Maximum Straight Width	60" (152.4 cm) (outside mount) 60½" (153.7 cm) (inside mount)
Minimum Height	10" (25.4 cm)
Minimum Height (short side)	7½" (19.1 cm)
Maximum Height	120" (304.8 cm)
Maximum Degree of Angle	60°



### Measuring Outside Mount:

1. Measure exact width and height of area to be covered. It is recommended that shades overlap window frame or opening by 1½" (3.9 cm) on each side.
2. Measure height of opening on left side and mark this dimension "left". Allow for overlap as desired: 1½" (3.9 cm) on top and bottom is recommended.
3. Measure height of opening on the right side and mark this dimension "right". Allow for same overlap as left side.
4. Factory will determine the angle from these three dimensions.

# Options

## Multiple Shades on One Headrail: Natural Shades



For surcharges, see options pricing

### How to Measure

1. Measure overall width of area to be covered.
2. Measure width of the area each shade is to cover; measure and specify left shade first, continuing to the right.  
**NOTE:** Minimum of 1/2" (1.3 cm) between shades for operating clearance.
3. Total width of all shades, plus clearance (gap), must equal the overall headrail width.
4. Use standard inside or outside measuring directions for height.
5. For patio doors, measure height to within 1" (2.6 cm) of the floor either from the ceiling or a point high enough above door to provide clearance; cords should be on outside edges of shades; outside mount (wall) installation is recommended for patio doors.

- Shades operate separately
- Controls can be on the right or left at no charge
  - Standard for two on one headrail: left panel—left control; right panel—right control
  - Standard for three on one headrail: left panel—left control; middle panel—right control; right panel—right control
- Horizontal material alignment between panels is not guaranteed
- Liner options available
- Edge banding is available—will be attached around each panel
- Shades up to the maximum material width will have a continuous valance
- Shades over maximum material width will have a valance with each panel which are butted in between each panel gap
- Premiere valance will not be spliced at the same dimensions as the multiple blinds; premiere valances will be spliced evenly

**NOTE:** Horizontal oriented valances over 96" (243.9 cm) will be spliced in 1 to 3 places and will not align with shade panels. Vertically oriented material will be one continuous piece. Hardwood frame will be spliced at 94" (238.8 cm) with returns and 95" (241.3 cm) without returns.

### For Cordless Shades Less than 18" (45.8 cm) in Width

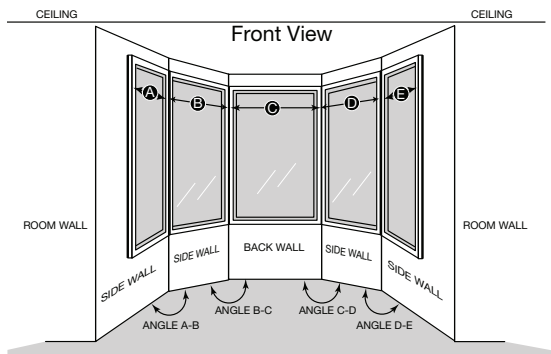
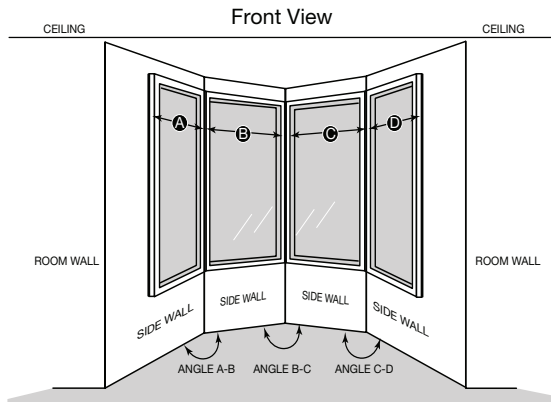
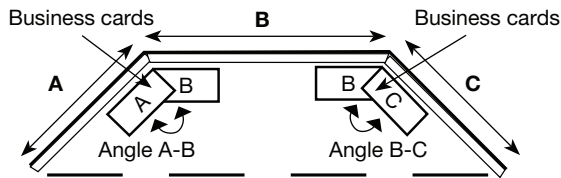
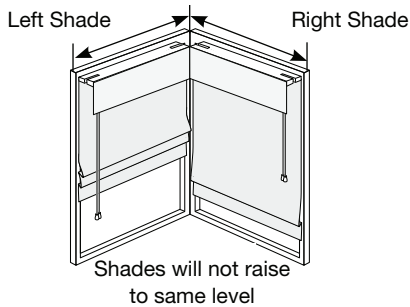
If Finished Shade Width is inches (cm)	Maximum Height of Shade is inches (cm)
Equal to 12 (30.5) but less than 12½ (31.8)	15% (39.1)
Equal to 13 (33.1) but less than 13½ (34.3)	21% (55.0)
Equal to 13½ (34.3) but less than 14 (35.6)	28 (71.2)
Equal to 14 (35.6) but less than 14½ (36.9)	34¼ (87.0)
Equal to 14½ (36.9) but less than 15 (38.1)	40½ (102.9)
Equal to 15 (38.1) but less than 15½ (39.4)	46¾ (118.8)
Equal to 15½ (39.4) but less than 16 (40.7)	53½ (135.0)
Equal to 16 (40.7) but less than 16½ (42.0)	59% (150.9)
Equal to 16½ (42.0) but less than 17 (43.2)	65% (166.7)
Equal to 17 (43.2) but less than 17½ (44.5)	72 (182.9)
Equal to 17½ (44.5) but less than 18 (45.8)	78¼ (198.8)
Equal to 18 (45.8) or more	See price charts

# Options

## Bay and Corner Windows

- Available on standard Roman and old style Roman shades
  - Bay and corner shades are used to butt two shades together in a corner window
  - Pull cords can be on the right or left side of each shade; locating cords opposite of the corner is recommended
  - Depending on the angle, some corner shades cannot be raised to the same height
  - Bay and corner shades not available with hold-down brackets, looped Roman shades, turned headrail, and multiple shades on one headrail
  - Horizontal pattern alignment between shades cannot be guaranteed
  - Priced as standard shades, no additional surcharge
  - Headrails will not be mitered
  - Standard valances will not be mitered
  - Premiere valances will be mitered
- NOTE:** Manufacturer will take appropriate deduction for corner/bay windows. If deductions are not required, do not order as corner/bay.

### Measuring Information



### Corner Window

Measure:

Width of each window from corner to the point you would like to cover.

### Three-Sided Bay Window

Measure:

A & C: Width of side windows from the corners to the point you would like the blind to cover.

B: Width of the center window from corner to corner.

Angle A-B: Angle between windows (A) and (B).

Angle B-C: Angle between windows (B) and (C).

Measure bay angle using protractor or angle finder, or use two business cards in bay corner as illustrated and fax to customer service.

### Four-Sided Bay Window

Measure:

A & D: Width of side windows from the corners to the point you would like the blind to cover.

B & C: Width of each window from corner to corner.

Angle A-B: Angle between windows (A) and (B).

Angle B-C: Angle between windows (B) and (C).

Angle C-D: Angle between windows (C) and (D).

Measure bay angle using protractor or angle finder, or use two business cards in bay corner as illustrated and fax to customer service.

### Five-Sided Bay Window

Measure:

A & E: Width of side windows from the corners to the point you would like the blind to cover.

B, C & D: Width of each center window from corner to corner.

Angle A-B: Angle between windows (A) and (B).

Angle B-C: Angle between windows (B) and (C).

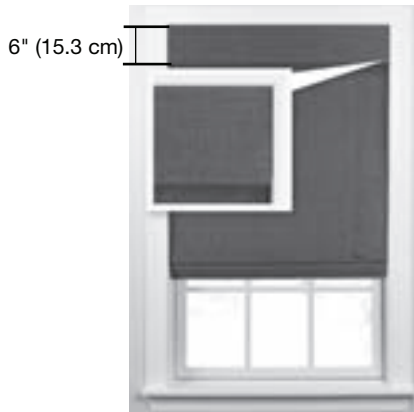
Angle C-D: Angle between windows (C) and (D).

Angle D-E: Angle between windows (D) and (E).

Measure bay angle using protractor or angle finder, or use two business cards as illustrated and fax to customer service.

# Options

## Valance: Natural Shades



Standard Valance Horizontal Orientation



Premiere Valance Option B Shown

### Cord lift no charge options

- 6" (15.3 cm) valance with shade
- No valance is optional; unfinished headrail and hardware are visible

### Continuous-loop lift and motorized lift no charge options

- 9" (22.9 cm) valance with shade (6" (15.3 cm) valance is not available)

### Cordless lift no charge options

- See valance: premiere valance only: natural shades and drapes section

### Additional valance information

- Edge banding will be applied to the sides and bottom of the valance if option is chosen for complete finished shades
- Liner can be added to the valance; must specify privacy or room-darkening liner and color; see price chart for surcharge

Control Type/ Shade Options with Standard Valance	Full Recess Depth Including Valance inches (cm)	Standard Return Width Outside Mount inches (cm)	Standard Return Width Inside Mount inches (cm)	Minimum Return Width inches (cm)	Maximum Return Width inches (cm)
Cord Lift	2 <sup>1</sup> / <sub>16</sub> (6.2)	2 <sup>1</sup> / <sub>16</sub> (5.3)	1 <sup>1</sup> / <sub>2</sub> (3.9)	1 <sup>1</sup> / <sub>2</sub> (3.9)	3 <sup>1</sup> / <sub>2</sub> (8.9)
Continuous-Loop Lift	3 <sup>3</sup> / <sub>16</sub> (8.1)	2 <sup>13</sup> / <sub>16</sub> (7.2)	2 <sup>1</sup> / <sub>4</sub> (5.8)	1 <sup>1</sup> / <sub>2</sub> (3.9)	3 <sup>1</sup> / <sub>2</sub> (8.9)
Motorized Lift*	3 <sup>3</sup> / <sub>16</sub> (8.1)	2 <sup>13</sup> / <sub>16</sub> (7.2)	2 <sup>1</sup> / <sub>4</sub> (5.8)	1 <sup>1</sup> / <sub>2</sub> (3.9)	3 <sup>1</sup> / <sub>2</sub> (8.9)
Bottom Up/Top Down	2 <sup>1</sup> / <sub>16</sub> (6.2)	2 <sup>1</sup> / <sub>16</sub> (5.3)	1 <sup>1</sup> / <sub>2</sub> (3.9)	1 <sup>1</sup> / <sub>2</sub> (3.9)	3 <sup>1</sup> / <sub>2</sub> (8.9)

\*See motorized product information guide for more details.

- Special 2" (5.1 cm) valance return **length**: available upon request
- No liner or edge banding on valance returns

## Valance: Natural Drapes

- No charge for premiere valance at time of order (must select option)
- Liner is required for vertically oriented premiere valance
- No valance is optional; aluminum headrail and hardware are visible
- Valance return height will match valance height option chosen

## Deco-Trim Valance or Hems: Natural Shades

Seascape



This design is scaled to the width of the shade

Dentil



This design will repeat with the width of the shade

Cathedral



This design will repeat with the width of the shade

Horizon



This design is scaled to the width of the shade

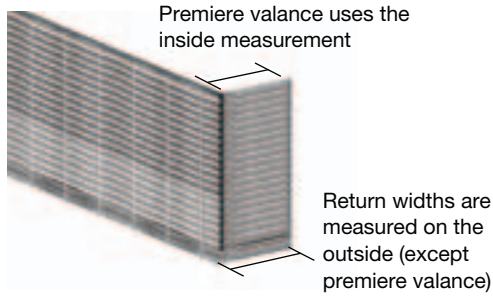
### For surcharge, see options pricing

- Distinctive valance and hem designs with accent gimp
- Deco-trim valance or hem designs are cut into the valance or hem of the shade to a depth of approximately 2<sup>1</sup>/<sub>2</sub>" (6.4 cm)
- 9" (22.9 cm) deco-trim valance is measured from the top of the headrail to the lowest point
- Deco-trim hems allow light through at the bottom of the shade; if complete privacy and light filtering are desired, add 2<sup>1</sup>/<sub>2</sub>" (6.4 cm) to the ordered height
- Accent gimp must be selected with deco-trim valance or hem
- Available with 9" (22.9 cm) valance only



# Options

## Valance Returns for Standard Valances

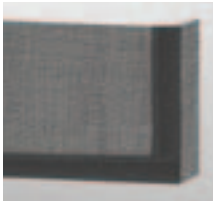


Window depths vary considerably depending on the age and style of the window. **Always** measure the window depth, regardless of the type of window treatment the client is considering. Knowing the depth when the order is placed can help prevent costly errors.

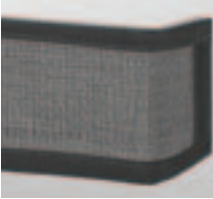
To calculate the return width, use this formula:

$$[\text{Standard return width}] \text{ minus } [\text{client window depth}] = \text{special return width to order for inside mount blind}$$

## Valance: Premiere Valance Only: Natural Shades and Natural Drapes



Option A



Option B



Option C

### Premiere valance only

- No charge option for natural drape at time of order

Natural material is mounted to a North American hardwood frame with mitered corner returns that attach separately. Valance upgrade options provide stable returns and a clean, uniform appearance.

- Valance can be ordered for use alone or to complement other window treatments
- Valance material is attached to a hardwood frame; includes mounting brackets (standard, ceiling, or projection brackets)
- Valance returns are available (must be specified at the time of the order)
- Valance returns are standard on outside mount natural premiere valance based on headrail depth

Control Type/ Shade Options with Premiere Valance	Full Recess Depth Including Valance inches (cm)	Return Width Inside/ Outside Mount— Standard Mounting Brackets inches (cm)	Return Width Inside/ Outside Mount— 2" (5.1 cm) Extension Brackets inches (cm)	Return Width Inside/ Outside Mount— 2½" (6.7 cm) Extension Brackets inches (cm)	Return Width Inside/ Outside Mount— 3½" (8.9 cm) Extension Brackets inches (cm)	Minimum Return Width inches (cm)
Cord Lift	2⅞ (6.2)	3¾ (9.6)	4½ (11.5)	5⅝ (13.7)	6⅞ (15.8)	1½ (3.9)
Continuous-Loop Lift	3⅞ (8.1)	4½ (11.5)	5⅞ (14.2)	6⅞ (15.4)	6⅞ (17.7)	1½ (3.9)
Motorized Lift*	3⅞ (8.1)	4½ (11.5)	5⅞ (14.2)	6⅞ (15.4)	6⅞ (17.7)	1½ (3.9)
Bottom Up/ Top Down	2⅞ (6.2)	3¾ (9.6)	4½ (11.5)	5⅝ (13.7)	6⅞ (15.8)	1½ (3.9)
Cordless Lift	4¼ (10.8)	4½ (11.5)	5 (12.7)	5½ (14.0)	6⅞ (16.4)	1½ (3.9)
Drape	8 (20.4)	6½ (16.6)	N/A	N/A	N/A	2 (5.1)

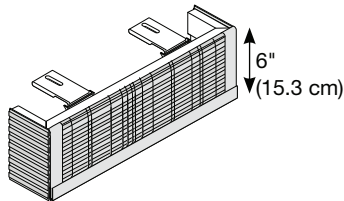
\*See motorized product information guide for more details.

- Valances over maximum material width will be butted
- Edge banding is available on 6" (15.3 cm) or 9" (22.9 cm) horizontal or vertical oriented material; not available on deco-trim
- No liner or edge banding on valance returns

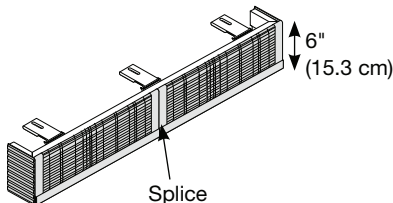
### Options:

- 6" (15.3 cm) or 9" (22.9 cm) valance with horizontally material orientation; edge banding is optional (6" (15.3 cm) not available with motorized lift and continuous-loop lift).
- 6" (15.3 cm) or 9" (22.9 cm) valance with vertical material orientation; 1" (2.6 cm) edge banding top and bottom mandatory (6" (15.3 cm) not available with motorized lift and continuous-loop lift).
- 9" (22.9 cm) deco-trim valance; no vertical orientation option (must select accent gimp).
- Wood cornice: See cornices and valances price list.

**NOTE:** Horizontal oriented valances over 96" (243.9 cm) will be spliced in one to three places and will not align with shade panels. Vertically oriented material will be one continuous piece. Hardwood frame will be spliced at 94" (238.8 cm) with returns and 95" (241.3 cm) without returns.



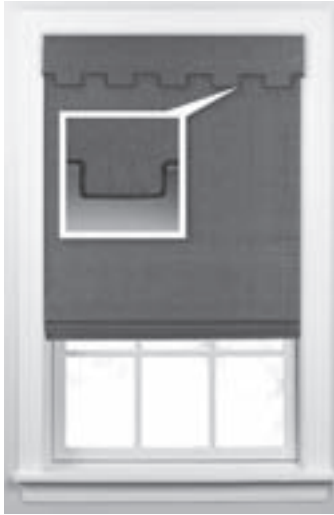
Valance less than 96" (243.9 cm)



Valance over 96" (243.9 cm)

# Options

## Accent Gimp: Natural Shades



### For surcharges, see price charts

- Required with 9" (22.9 cm) deco-trim valance or deco-pocket hem; optional on other horizontal material orientation valances and standard hems
- Not available with vertically-oriented material



**NOTE:** Must choose accent gimp color when a deco-trim style has been selected for the valance or hem.

Black . . . . .	156	Rock Gray . . . . .	399
Chocolate . . . . .	04	Tender Taupe . . . . .	103
Cream . . . . .	715	Toffee . . . . .	296
Dark Beige . . . . .	350	White . . . . .	417

## Deco-Pocket Hem: Natural Shades

Dentil—Hem with Accent Rod



Cathedral—Hem with Accent Rod



### For surcharges, see options pricing

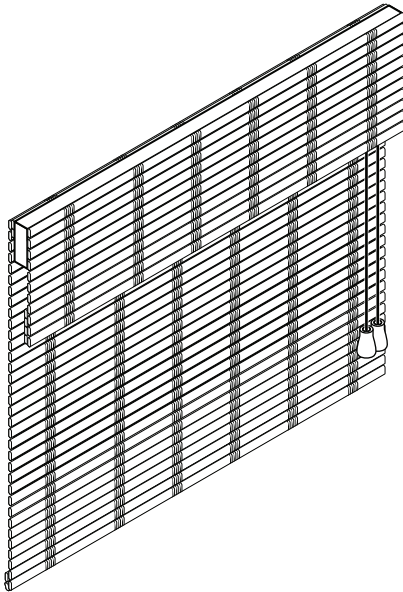
- 3-day manufacturing time does not apply
- Distinctive hem designs with decorative accent rod and accent gimp
- 5/8" (1.6 cm) diameter metal rods with a classic ball finial, cut to width
  - Accent rod: maximum width 72" (182.9 cm)
- Deco-pocket hems also available without accent rod to add your own decorative hardware
- Deco-pocket hem designs are cut into the hem of the shades to a depth of approximately 4 1/2" (11.5 cm), allowing light through the bottom of the shades
  - If complete privacy and light filtering are desired, add 4 1/2" (11.5 cm) to the ordered height
- Must select accent gimp with deco valance or hem
- Not available with cut-out, cordless lift, or motorized lift

### Rod Colors Available:

Matte Black . . . . .	84
Satin Nickel . . . . .	59

## Options

### Turned Headrail: Natural Shades



- **No charge**
- Headrail turned 90 degrees to allow for a smaller inside mount shade or for use on French doors
- Available as inside or outside mount; headrail mounted by placing mounting screws through headrail directly into mounting surface
- Minimum depth required: ¾" (2.0 cm)
- Available with cord lift and old style Roman
- 6" (15.3 cm) standard or 9" (22.9 cm) deco-trim valance available options; see price charts for surcharge
- Not available with bay or corner windows, bottom up/top down
- **Valance returns are not available**

# General Information

## Stack Charts: Natural Shades

**NOTE:** For shades, stack height is measured from the top of the headrail to the lowest point of the shades when completely raised. Stack heights are approximate and will vary by material.

### Stack Height: Natural Shades

	Height of Shade up to inches (cm)	Standard Hem		Deco-Trim Hem Deco-Pocket Hem	
		No Liner inches (cm)	Privacy or Room Darkening Liner inches (cm)	No Liner inches (cm)	Privacy or Room Darkening Liner inches (cm)
Cord Lift • Standard Roman • Old Style Roman • Turned Headrail Roman	30 (76.2)	8 <sup>3</sup> / <sub>4</sub> -9 <sup>3</sup> / <sub>4</sub> (22.3-24.8)	8 <sup>3</sup> / <sub>4</sub> -10 (22.3-25.4)	13 <sup>3</sup> / <sub>4</sub> -14 <sup>3</sup> / <sub>4</sub> (35.0-37.5)	13 <sup>3</sup> / <sub>4</sub> -14 <sup>3</sup> / <sub>4</sub> (35.0-37.5)
	50 (127.0)	10 <sup>1</sup> / <sub>4</sub> -10 <sup>1</sup> / <sub>2</sub> (26.1-26.7)	10 <sup>1</sup> / <sub>4</sub> -10 <sup>1</sup> / <sub>2</sub> (26.1-26.7)	15-15 <sup>1</sup> / <sub>4</sub> (38.1-38.8)	15-15 <sup>1</sup> / <sub>4</sub> (38.1-38.8)
	70 (177.8)	10 <sup>3</sup> / <sub>4</sub> -11 (27.4-28.0)	10 <sup>3</sup> / <sub>4</sub> -11 <sup>1</sup> / <sub>4</sub> (27.4-28.6)	15 <sup>1</sup> / <sub>2</sub> -15 <sup>3</sup> / <sub>4</sub> (39.4-40.1)	15 <sup>1</sup> / <sub>2</sub> -15 <sup>3</sup> / <sub>4</sub> (39.4-40.1)
	90 (228.6)	11 <sup>1</sup> / <sub>4</sub> -11 <sup>1</sup> / <sub>2</sub> (28.6-29.3)	11 <sup>1</sup> / <sub>2</sub> -11 <sup>3</sup> / <sub>4</sub> (29.3-29.9)	16-16 <sup>1</sup> / <sub>4</sub> (40.7-41.3)	16-16 <sup>1</sup> / <sub>4</sub> (40.7-41.3)
	110 (279.4)	11 <sup>3</sup> / <sub>4</sub> -12 (29.9-30.5)	12-12 <sup>1</sup> / <sub>4</sub> (30.5-31.2)	16 <sup>1</sup> / <sub>2</sub> -16 <sup>3</sup> / <sub>4</sub> (42.0-42.6)	16 <sup>1</sup> / <sub>2</sub> -16 <sup>3</sup> / <sub>4</sub> (42.0-42.6)
	120 (304.8)	12-12 <sup>1</sup> / <sub>2</sub> (30.5-31.8)	12 <sup>1</sup> / <sub>4</sub> -12 <sup>1</sup> / <sub>2</sub> (31.2-31.8)	17-17 <sup>1</sup> / <sub>4</sub> (43.2-43.9)	17-17 <sup>1</sup> / <sub>4</sub> (43.2-43.9)
Continuous-Loop Lift Motorized Lift • Standard Roman • Old Style Roman	30 (76.2)	9 <sup>3</sup> / <sub>4</sub> -10 (24.8-25.4)	9 <sup>3</sup> / <sub>4</sub> -10 <sup>1</sup> / <sub>4</sub> (24.8-26.1)	14 <sup>1</sup> / <sub>2</sub> -15 (36.9-38.1)	14 <sup>1</sup> / <sub>2</sub> -15 (36.9-38.1)
	50 (127.0)	10 <sup>1</sup> / <sub>4</sub> -10 <sup>3</sup> / <sub>4</sub> (26.1-27.4)	10 <sup>1</sup> / <sub>2</sub> -11 (26.7-28.0)	15 <sup>1</sup> / <sub>4</sub> -15 <sup>3</sup> / <sub>4</sub> (38.8-40.1)	15 <sup>1</sup> / <sub>4</sub> -15 <sup>3</sup> / <sub>4</sub> (38.8-40.1)
	70 (177.8)	11-11 <sup>1</sup> / <sub>4</sub> (28.0-28.6)	11 <sup>1</sup> / <sub>4</sub> -11 <sup>1</sup> / <sub>2</sub> (28.6-29.3)	16-16 <sup>1</sup> / <sub>4</sub> (40.7-41.3)	16-16 <sup>1</sup> / <sub>4</sub> (40.7-41.3)
	90 (228.6)	11 <sup>1</sup> / <sub>2</sub> -11 <sup>3</sup> / <sub>4</sub> (29.3-29.9)	11 <sup>3</sup> / <sub>4</sub> -12 (29.9-30.5)	16 <sup>1</sup> / <sub>2</sub> -16 <sup>3</sup> / <sub>4</sub> (42.0-42.6)	16 <sup>1</sup> / <sub>2</sub> -16 <sup>3</sup> / <sub>4</sub> (41.3-42.6)
	110 (279.4)	12-12 <sup>1</sup> / <sub>4</sub> (30.5-31.2)	12 <sup>1</sup> / <sub>4</sub> -12 <sup>1</sup> / <sub>2</sub> (31.2-31.8)	17-17 <sup>1</sup> / <sub>4</sub> (43.2-43.9)	17-17 <sup>1</sup> / <sub>4</sub> (43.2-43.9)
	120 (304.8)	12 <sup>1</sup> / <sub>2</sub> -12 <sup>3</sup> / <sub>4</sub> (31.8-32.4)	12 <sup>3</sup> / <sub>4</sub> -13 (32.4-33.1)	17 <sup>1</sup> / <sub>2</sub> -17 <sup>3</sup> / <sub>4</sub> (44.5-45.1)	17 <sup>1</sup> / <sub>2</sub> -17 <sup>3</sup> / <sub>4</sub> (44.5-45.1)
Cord Lift • Looped Roman	30 (76.2)	9 <sup>3</sup> / <sub>4</sub> -10 <sup>1</sup> / <sub>2</sub> (24.8-26.7)	9 <sup>3</sup> / <sub>4</sub> -10 <sup>3</sup> / <sub>4</sub> (24.8-27.4)	14 <sup>1</sup> / <sub>2</sub> -15 (36.9-38.1)	14 <sup>1</sup> / <sub>2</sub> -15 <sup>1</sup> / <sub>4</sub> (36.9-38.8)
	50 (127.0)	10 <sup>3</sup> / <sub>4</sub> -11 <sup>1</sup> / <sub>4</sub> (27.4-29.9)	11-12 (28.0-30.5)	15 <sup>1</sup> / <sub>4</sub> -16 <sup>1</sup> / <sub>4</sub> (38.8-41.3)	15 <sup>3</sup> / <sub>4</sub> -16 <sup>3</sup> / <sub>4</sub> (40.1-42.6)
	70 (177.8)	12-13 (30.5-33.1)	12 <sup>1</sup> / <sub>4</sub> -13 (31.2-33.1)	16 <sup>1</sup> / <sub>2</sub> -17 <sup>1</sup> / <sub>4</sub> (42.0-43.9)	17-17 <sup>1</sup> / <sub>4</sub> (43.2-45.1)
	90 (228.6)	13 <sup>1</sup> / <sub>4</sub> -14 (33.7-35.6)	13 <sup>1</sup> / <sub>4</sub> -14 <sup>1</sup> / <sub>4</sub> (33.7-36.2)	17 <sup>1</sup> / <sub>2</sub> -18 <sup>1</sup> / <sub>2</sub> (44.5-47.0)	18-19 (45.8-48.3)
	110 (279.4)	14 <sup>1</sup> / <sub>4</sub> -14 <sup>3</sup> / <sub>4</sub> (36.2-36.9)	14 <sup>1</sup> / <sub>2</sub> -15 (36.9-38.1)	18 <sup>3</sup> / <sub>4</sub> -19 <sup>1</sup> / <sub>4</sub> (47.7-48.9)	19 <sup>1</sup> / <sub>4</sub> -20 (48.9-50.8)
	120 (304.8)	14 <sup>3</sup> / <sub>4</sub> -15 (37.5-38.1)	15 <sup>1</sup> / <sub>4</sub> -15 <sup>3</sup> / <sub>4</sub> (38.8-40.1)	19 <sup>1</sup> / <sub>2</sub> -19 <sup>3</sup> / <sub>4</sub> (49.6-50.2)	20-20 <sup>1</sup> / <sub>4</sub> (50.8-51.5)
Continuous-Loop Lift • Looped Roman	30 (76.2)	10 <sup>3</sup> / <sub>4</sub> -11 (27.4-28.0)	10 <sup>3</sup> / <sub>4</sub> -11 <sup>1</sup> / <sub>4</sub> (27.4-28.6)	15 <sup>1</sup> / <sub>2</sub> -16 <sup>1</sup> / <sub>4</sub> (39.4-41.3)	15 <sup>1</sup> / <sub>2</sub> -16 <sup>1</sup> / <sub>4</sub> (39.4-41.3)
	50 (127.0)	11 <sup>1</sup> / <sub>4</sub> -12 <sup>1</sup> / <sub>4</sub> (28.6-31.2)	11 <sup>1</sup> / <sub>2</sub> -13 <sup>1</sup> / <sub>4</sub> (29.3-33.7)	16 <sup>1</sup> / <sub>2</sub> -17 (42.0-43.2)	16 <sup>1</sup> / <sub>2</sub> -17 <sup>1</sup> / <sub>2</sub> (42.0-44.5)
	70 (177.8)	12 <sup>1</sup> / <sub>2</sub> -13 <sup>3</sup> / <sub>4</sub> (31.8-35.0)	13 <sup>1</sup> / <sub>2</sub> -14 <sup>1</sup> / <sub>4</sub> (34.3-36.2)	17 <sup>1</sup> / <sub>4</sub> -18 (43.9-45.8)	17 <sup>3</sup> / <sub>4</sub> -18 <sup>3</sup> / <sub>4</sub> (45.1-47.7)
	90 (228.6)	14-14 <sup>1</sup> / <sub>2</sub> (35.6-36.9)	14 <sup>1</sup> / <sub>2</sub> -15 <sup>1</sup> / <sub>4</sub> (36.9-38.8)	18 <sup>1</sup> / <sub>4</sub> -19 (46.4-48.3)	19-20 (48.3-50.8)
	110 (279.4)	14 <sup>3</sup> / <sub>4</sub> -15 <sup>1</sup> / <sub>4</sub> (37.5-38.8)	15 <sup>1</sup> / <sub>2</sub> -16 <sup>1</sup> / <sub>4</sub> (39.4-41.3)	19 <sup>1</sup> / <sub>4</sub> -20 (48.9-50.8)	20 <sup>1</sup> / <sub>4</sub> -21 (51.5-53.4)
	120 (304.8)	15 <sup>1</sup> / <sub>2</sub> -15 <sup>3</sup> / <sub>4</sub> (39.4-40.1)	16 <sup>1</sup> / <sub>2</sub> -16 <sup>3</sup> / <sub>4</sub> (42.0-42.6)	20 <sup>1</sup> / <sub>4</sub> -20 <sup>1</sup> / <sub>2</sub> (51.5-52.1)	21 <sup>1</sup> / <sub>4</sub> -21 <sup>1</sup> / <sub>2</sub> (54.0-54.7)
Cord Lift • Bottom Up/Top Down Roman	30 (76.2)	10 <sup>3</sup> / <sub>4</sub> -11 (27.4-28.0)	10 <sup>3</sup> / <sub>4</sub> -11 (27.4-28.0)	15 <sup>1</sup> / <sub>2</sub> -15 <sup>3</sup> / <sub>4</sub> (39.4-40.1)	15 <sup>1</sup> / <sub>2</sub> -15 <sup>3</sup> / <sub>4</sub> (39.4-40.1)
	50 (127.0)	11 <sup>1</sup> / <sub>4</sub> -11 <sup>1</sup> / <sub>2</sub> (28.6-29.3)	11 <sup>1</sup> / <sub>4</sub> -11 <sup>1</sup> / <sub>2</sub> (28.6-29.3)	16-16 <sup>1</sup> / <sub>4</sub> (40.7-41.3)	16-16 <sup>1</sup> / <sub>4</sub> (40.7-41.3)
	70 (177.8)	11 <sup>3</sup> / <sub>4</sub> -12 (29.9-30.5)	11 <sup>3</sup> / <sub>4</sub> -12 (29.9-30.5)	16 <sup>1</sup> / <sub>2</sub> -16 <sup>3</sup> / <sub>4</sub> (42.0-42.6)	16 <sup>1</sup> / <sub>2</sub> -16 <sup>3</sup> / <sub>4</sub> (42.0-42.6)
	90 (228.6)	12 <sup>1</sup> / <sub>4</sub> -12 <sup>1</sup> / <sub>2</sub> (31.2-31.8)	12 <sup>1</sup> / <sub>4</sub> -12 <sup>1</sup> / <sub>2</sub> (31.2-31.8)	17-17 <sup>1</sup> / <sub>4</sub> (43.2-43.9)	17-17 <sup>1</sup> / <sub>4</sub> (43.2-43.9)
	110 (279.4)	12 <sup>3</sup> / <sub>4</sub> -13 (32.4-33.1)	12 <sup>3</sup> / <sub>4</sub> -13 (32.4-33.1)	17 <sup>1</sup> / <sub>2</sub> -17 <sup>3</sup> / <sub>4</sub> (44.5-45.1)	17 <sup>1</sup> / <sub>2</sub> -17 <sup>3</sup> / <sub>4</sub> (44.5-45.1)
	120 (304.8)	13 <sup>1</sup> / <sub>4</sub> -13 <sup>1</sup> / <sub>2</sub> (33.7-34.3)	13 <sup>1</sup> / <sub>4</sub> -13 <sup>1</sup> / <sub>2</sub> (33.7-34.3)	17 <sup>3</sup> / <sub>4</sub> -18 (45.1-45.8)	17 <sup>3</sup> / <sub>4</sub> -18 (45.1-45.8)
Cordless Lift • Standard Roman	30 (76.2)	8 <sup>3</sup> / <sub>4</sub> -9 <sup>3</sup> / <sub>4</sub> (22.3-24.8)	8 <sup>3</sup> / <sub>4</sub> -10 (22.3-25.4)		
	50 (127.0)	10 <sup>1</sup> / <sub>4</sub> -10 <sup>1</sup> / <sub>2</sub> (26.1-26.7)	10 <sup>1</sup> / <sub>4</sub> -10 <sup>1</sup> / <sub>2</sub> (26.1-26.7)		
	70 (177.8)	10 <sup>3</sup> / <sub>4</sub> -11 (27.4-28.0)	10 <sup>3</sup> / <sub>4</sub> -11 <sup>1</sup> / <sub>4</sub> (27.4-28.6)		
	90 (228.6)	11 <sup>1</sup> / <sub>4</sub> -11 <sup>1</sup> / <sub>2</sub> (28.6-29.3)	11 <sup>1</sup> / <sub>2</sub> -11 <sup>3</sup> / <sub>4</sub> (29.3-29.9)	N/A	N/A
	110 (279.4)	11 <sup>3</sup> / <sub>4</sub> -12 (29.9-30.5)	12-12 <sup>1</sup> / <sub>4</sub> (30.5-31.2)		
	120 (304.8)	12-12 <sup>1</sup> / <sub>2</sub> (30.5-31.8)	12 <sup>1</sup> / <sub>4</sub> -12 <sup>1</sup> / <sub>2</sub> (31.2-31.8)		

# General Information

## Stack Charts: Natural Drapes

**NOTE:** For drapes, stack width is measured from the outside of the drapes to the inside of the drapes. Stack widths are approximate and will vary by material.

### Natural Drapes 10% Standard Fullness Stack Chart

Width of Shade up to inches (cm)	Cord Control				Wand Control			
	Single Stack		Split Stack, Each Side		Single Stack		Split Stack, Each Side	
	Minimum Range Thinner Fabrics inches (cm)	Minimum Range Thicker Fabrics inches (cm)	Minimum Range Thinner Fabrics inches (cm)	Minimum Range Thicker Fabrics inches (cm)	Minimum Range Thinner Fabrics inches (cm)	Minimum Range Thicker Fabrics inches (cm)	Minimum Range Thinner Fabrics inches (cm)	Minimum Range Thicker Fabrics inches (cm)
27 (68.6)	5-7 (12.7-17.8)	7-9 (17.8-22.9)	3-4 (7.7-10.2)	5-6 (12.7-15.3)	6½-9 (16.6-22.9)	9-12 (22.9-30.5)	5½-7½ (14.0-19.1)	7½-9½ (19.1-24.2)
40 (101.6)	7-9 (17.8-22.9)	9-13 (22.9-33.1)	4-5 (10.2-12.7)	6-7 (15.3-17.8)	9-11 (22.9-28.0)	12-15 (30.5-38.1)	7½-9 (19.1-22.9)	9½-11½ (24.2-29.3)
51 (129.6)	9-11 (22.9-28.0)	13-16 (33.1-40.7)	5-6 (12.7-15.3)	7-8 (17.8-20.4)	11-14 (28.0-35.6)	15-18 (38.1-45.8)	9-10½ (22.9-26.7)	11½-13½ (29.3-34.3)
63 (160.1)	11-13 (28.0-33.1)	16-19 (40.7-48.3)	6-7 (15.3-17.8)	8-9 (20.4-22.9)	14-16 (35.6-40.7)	18-21 (45.8-53.4)	10½-12 (26.7-30.5)	13½-15 (34.3-38.1)
75 (190.5)	13-15 (33.1-38.1)	19-22 (48.3-55.9)	7-8 (17.8-20.4)	9-10 (22.9-25.4)	16-18 (40.7-45.8)	21-24 (53.4-61.0)	12-13½ (30.5-34.3)	15-16½ (38.1-42.0)
88 (223.6)	15-17 (38.1-43.2)	22-25 (55.9-63.5)	8-9 (20.4-22.9)	10-12 (25.4-30.5)	18-20 (45.8-50.8)	24-27 (61.0-68.6)	13½-14½ (34.3-36.9)	16½-18 (42.0-45.8)
102 (259.1)	17-19 (43.2-48.3)	25-28 (63.5-71.2)	9-10 (22.9-25.4)	12-14 (30.5-35.6)	20-22 (50.8-55.9)	27-30 (68.6-76.2)	14½-15 (36.9-38.1)	18-19½ (45.8-49.6)
115 (292.1)	19-21 (48.3-53.4)	28-31 (71.2-78.8)	10-11 (25.4-28.0)	14-16 (35.6-40.7)	22-24 (55.9-61.0)	30-33 (76.2-83.9)	15½-16½ (39.4-42.0)	19½-21 (49.6-53.4)
128 (325.2)	21-23 (53.4-58.5)	31-34 (78.8-86.4)	11-12 (28.0-30.5)	16-18 (40.7-45.8)	24-26 (61.0-66.1)	33-36 (83.9-91.5)	16½-18 (42.0-45.8)	21-22½ (53.4-57.2)
141 (358.2)	23-25 (58.5-63.5)	34-37 (86.4-94.0)	12-13 (30.5-33.1)	18-20 (45.8-50.8)	26-28 (66.1-71.2)	36-39 (91.5-99.1)	18-19 (45.8-48.3)	22½-24 (57.2-61.0)
157 (398.8)	25-27 (63.5-68.6)	37-40 (94.0-101.6)	13-14 (33.1-35.6)	20-22 (50.8-55.9)	28-30 (71.2-76.2)	39-43 (99.1-109.3)	19-21 (48.3-53.4)	24-25 (61.0-63.5)
170 (431.8)	27-29 (68.6-73.7)	40-43 (101.6-109.3)	14-15 (35.6-38.1)	22-24 (55.9-61.0)	30-32 (76.2-81.3)	43-46 (109.3-116.9)	21-22 (53.4-55.9)	25-26 (63.5-66.1)
183 (464.9)	29-31 (73.7-78.8)	43-46 (109.3-116.9)	15-16 (38.1-40.7)	24-26 (61.0-66.1)	32-35 (81.3-88.9)	46-49 (116.9-124.5)	22-23 (55.9-58.5)	26-27 (66.1-68.6)
192 (487.7)	31-33 (78.8-83.9)	46-49 (116.9-124.5)	16-17 (40.7-43.2)	26-28 (66.01-71.2)	35-37 (88.9-94.0)	49-53 (124.5-134.7)	23-24 (58.5-61.0)	27-28 (68.6-71.2)

### Natural Drapes 60% Fullness Stack Chart

Width of Shade up to inches (cm)	Cord Control				Wand Control			
	Single Stack		Split Stack, Each Side		Single Stack		Split Stack, Each Side	
	Minimum Range Thinner Fabrics inches (cm)	Minimum Range Thicker Fabrics inches (cm)	Minimum Range Thinner Fabrics inches (cm)	Minimum Range Thicker Fabrics inches (cm)	Minimum Range Thinner Fabrics inches (cm)	Minimum Range Thicker Fabrics inches (cm)	Minimum Range Thinner Fabrics inches (cm)	Minimum Range Thicker Fabrics inches (cm)
27 (68.6)	6-8½ (15.3-21.6)	8½-14 (21.6-35.6)	3½-6 (8.9-15.3)	6-9 (15.3-22.9)	8-12 (20.4-30.5)	11-16 (28.0-40.7)	7-9 (17.8-22.9)	9-12 (22.9-30.5)
40 (101.6)	8½-13 (21.6-33.1)	14-18 (35.6-45.8)	6-8 (15.3-20.4)	9-12 (22.9-30.5)	12-15 (30.5-38.1)	16-21 (40.7-53.4)	9-11 (22.9-28.0)	12-14 (30.5-35.6)
51 (129.6)	13-15½ (33.1-39.4)	18-22 (45.8-55.9)	8-10 (20.4-25.4)	12-14 (30.5-35.6)	15-18 (38.1-45.8)	21-25 (53.4-63.5)	11-13 (28.0-33.1)	14-16 (35.6-40.7)
63 (160.1)	15½-18 (39.4-45.8)	22-27 (55.9-68.6)	10-12 (25.4-30.5)	14-17 (35.6-43.2)	18-21 (45.8-53.4)	25-30 (63.5-76.2)	13-15 (33.1-38.1)	16-18 (40.7-45.8)
75 (190.5)	18-22 (45.8-55.9)	27-31 (68.6-78.8)	12-14 (30.5-35.6)	17-19 (43.2-48.3)	21-24 (53.4-61.0)	30-35 (76.2-88.9)	15-17 (38.1-43.2)	18-20 (45.8-50.8)
88 (223.6)	22-25 (55.9-63.5)	31-37 (78.8-94.0)	14-16 (35.6-40.7)	19-22 (48.3-55.9)	24-27 (61.0-68.6)	35-40 (88.9-101.6)	17-19 (43.2-48.3)	20-22 (50.8-55.9)
102 (259.1)	25-29 (63.5-73.7)	37-41 (94.0-104.2)	16-18 (40.7-45.8)	22-25 (55.9-63.5)	27-30 (68.6-76.2)	40-44 (101.6-111.8)	19-21 (48.3-53.4)	22-25 (55.9-63.5)
115 (292.1)	29-32 (73.7-81.3)	41-46 (104.2-116.9)	18-20 (45.8-50.8)	25-28 (63.5-71.2)	30-34 (76.2-86.4)	44-49 (111.8-124.5)	21-23 (53.4-58.5)	25-28 (63.5-71.2)
128 (325.2)	32-35 (81.3-88.9)	46-51 (116.9-129.6)	20-22 (50.8-55.9)	28-31 (71.2-78.8)	34-38 (86.4-96.6)	49-54 (124.5-137.2)	23-25 (58.5-63.5)	28-30 (71.2-76.2)
141 (358.2)	35-38 (88.9-96.6)	51-56 (129.6-142.3)	22-24 (55.9-61.0)	31-33 (78.8-83.9)	38-42 (96.6-106.7)	54-60 (137.2-152.4)	25-27 (63.5-68.6)	30-32 (76.2-81.3)
157 (398.8)	38-42 (96.6-106.7)	56-62 (142.3-157.5)	24-26 (61.0-66.1)	33-35 (83.9-88.9)	42-46 (106.7-116.9)	60-66 (152.4-167.7)	27-29 (68.6-73.7)	32-36 (81.3-91.5)
170 (431.8)	42-46 (106.7-116.9)	62-67 (157.5-170.2)	26-28 (66.1-71.2)	35-38 (88.9-96.6)	46-49 (116.9-124.5)	66-71 (167.7-180.4)	29-31 (73.7-78.8)	36-38 (91.5-96.6)
183 (464.9)	46-49 (116.9-124.5)	67-72 (170.2-182.9)	28-30 (71.2-76.2)	38-40 (96.6-101.6)	49-52 (124.5-132.1)	71-75 (180.4-190.5)	31-33 (78.8-83.9)	38-40 (96.6-101.6)
192 (487.7)	49-51 (124.5-129.6)	72-76 (182.9-193.1)	30-32 (76.2-81.3)	40-42 (101.6-106.7)	52-55 (132.1-139.7)	75-80 (190.5-203.2)	33-36 (83.9-91.5)	40-43 (101.6-109.3)



# General Information

## Natural Shades Product Detail

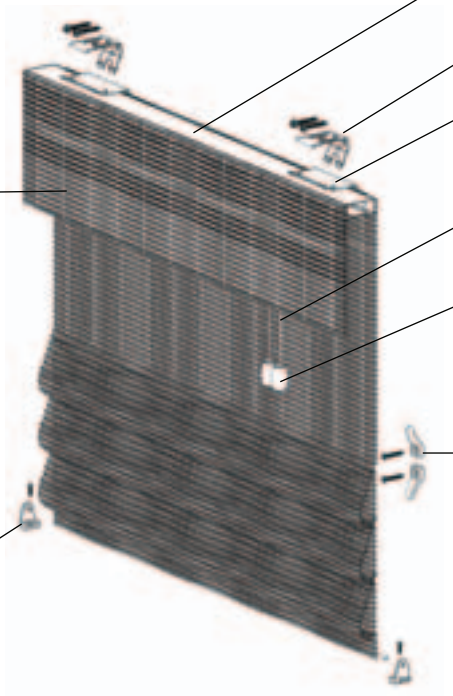
### Standard Roman

#### Valance

- 6" (15.3 cm) valance is standard on standard and looped Roman
- No valance on old style Roman

#### Hold Down Brackets (optional)

- Secure bottomrail to door, wall, or window sill; must be specified at time of order



#### Hardwood Headrail

- Made from sustainable hardwood resources

#### Standard Installation Brackets

- Steel

#### Mounting Plate

- Aluminum

#### Lift Cord

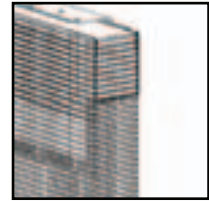
- Color coordinated 1.8 mm cord with filler for durability

#### Wood Tassel

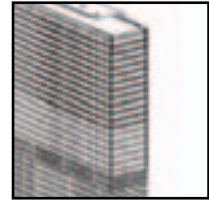
- Color coordinated to the shade

#### Safety Cord Cleat

- Prevents cord from twisting and enhances safety in homes with children and pets
- Standard clear cord cleat (included)
- Decorative cord cleat (solid brass or antique brass)

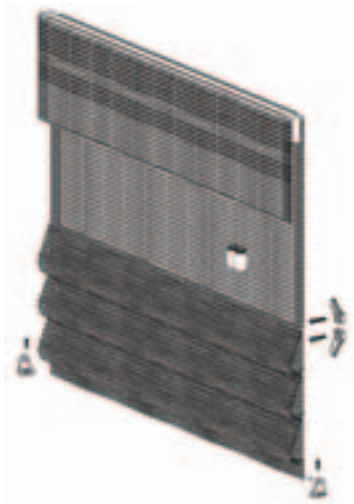


2" (5.1 cm) Short Return



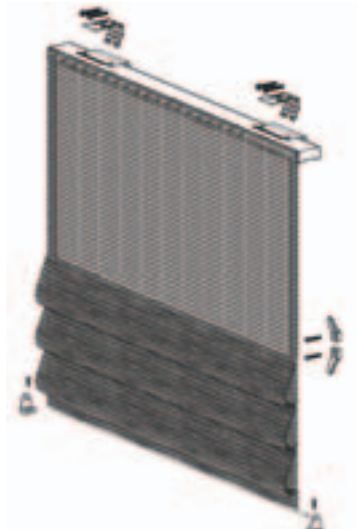
Standard 6" (15.3 cm) Return

### Standard Roman Turned Headrail



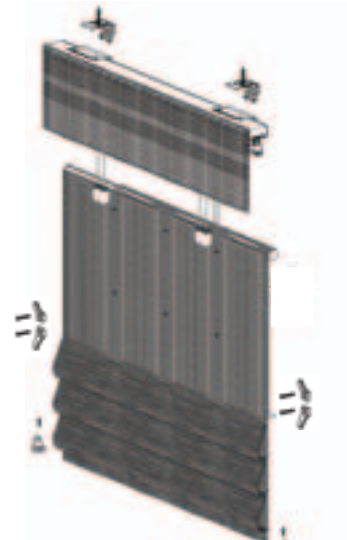
(Direct mount shade; no returns available)

### Old Style Roman



Cord lift (lift cords are behind the shade; outside mount shown).  
4" (10.2 cm) seclusion strip is used on inside mount.

### Bottom Up/Top Down

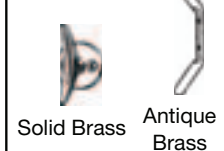


4" (10.2 cm) seclusion strip is used on inside mount.

#### Cord Winder



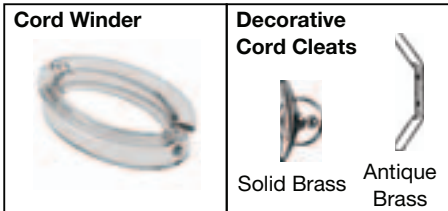
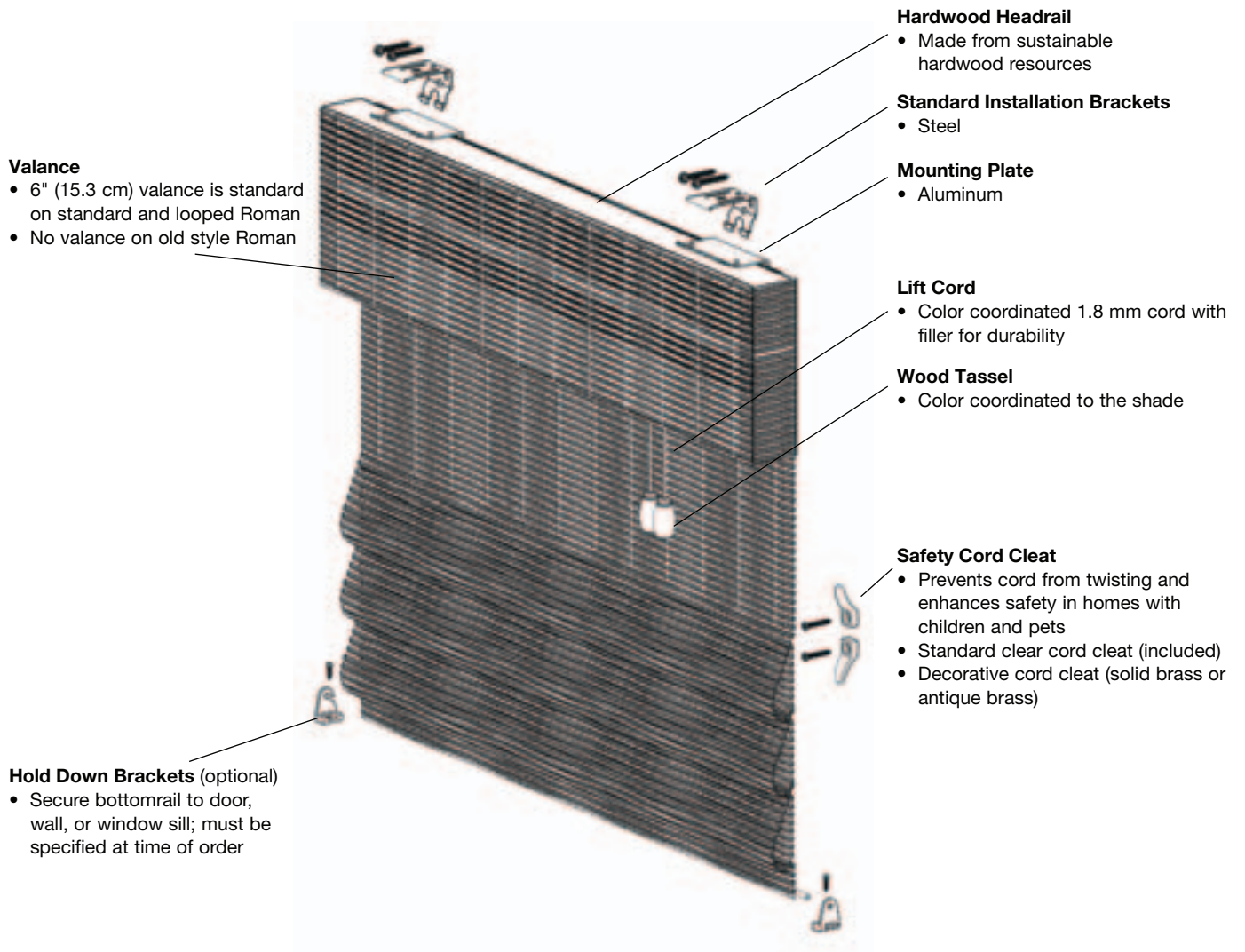
#### Decorative Cord Cleats





# General Information

## Natural Shades Looped Roman Product Detail



# General Information

## Natural Shades Cordless Lift Product Detail

### Durable Headrail with Natural Material Valance

- Classic 1½" (3.9 cm) high x 2½" (5.4 cm) deep

### Mounting Brackets

- Designed for easy and trouble-free installation

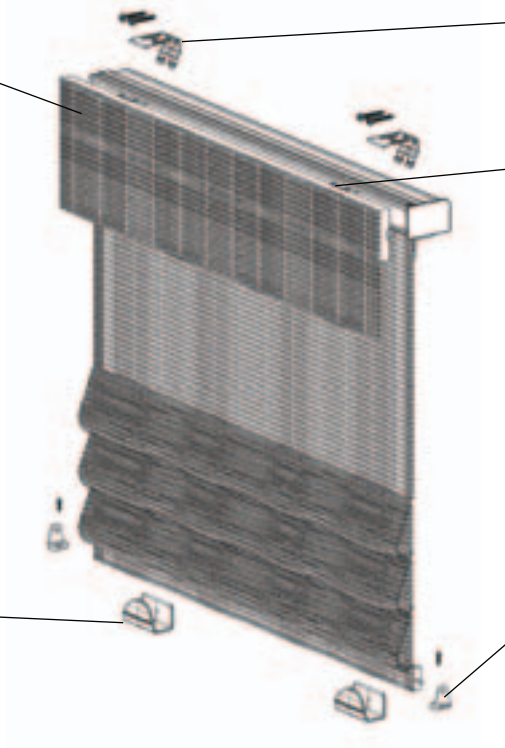
### Premiere Valance Clips

### Clear Hand Grips

- Guide to raise and lower blinds

### Hold Down Brackets (optional)

- Secures blind to door, wall, or window sill



## Natural Shades Continuous-Loop Lift Product Detail

### Valance

- 9" (22.9 cm) valance is standard on standard Roman, old style Roman, and looped Roman

### Hardwood Headrail

- Made from shade height
- If more than 30 square feet (2.8 square meters), metal bead chain is required; optional for shades under that size

### Mounting Brackets

- Designed for easy and trouble-free installation

### Mounting Plate

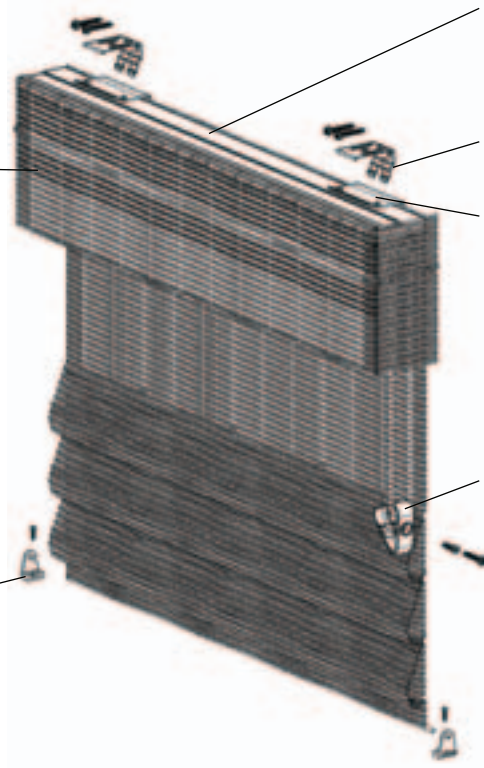
- Aluminum

### Safety Cord Guide

- Prevents cord from twisting and enhances safety in homes with children and pets

### Hold Down Brackets (optional)

- Secure bottomrail to door, wall, or window sill; must be specified at time of order



Safety Cord Guide

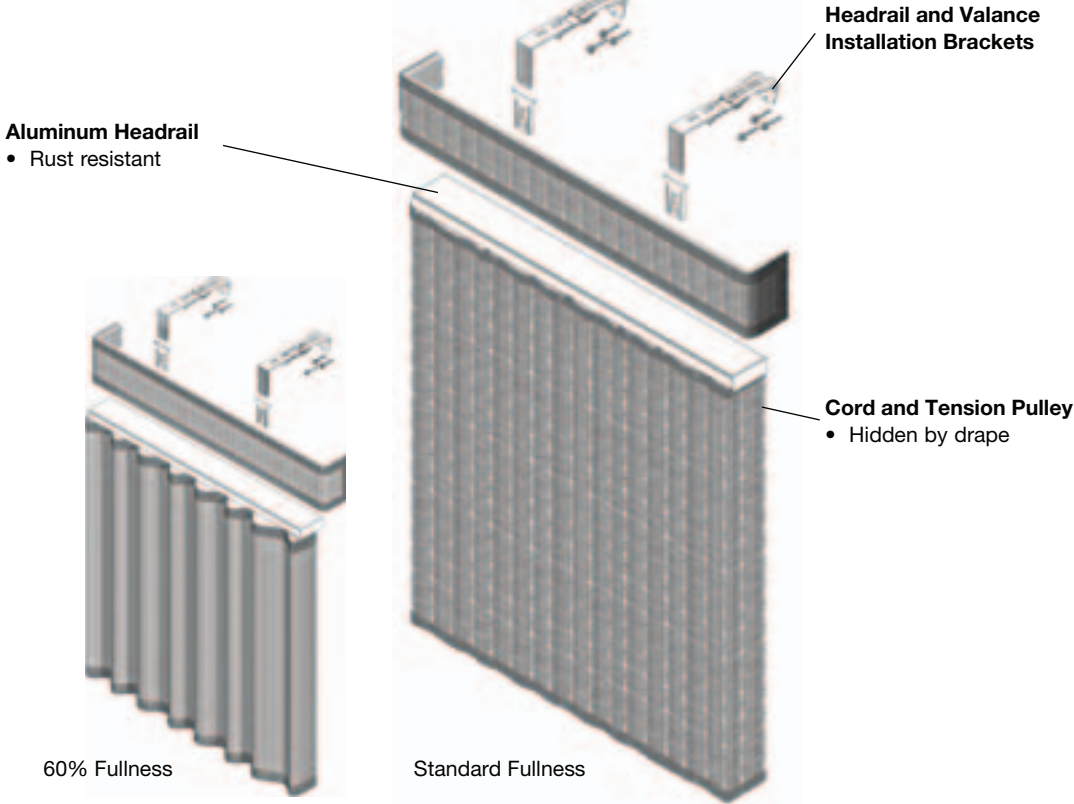


Safety Chain Guide

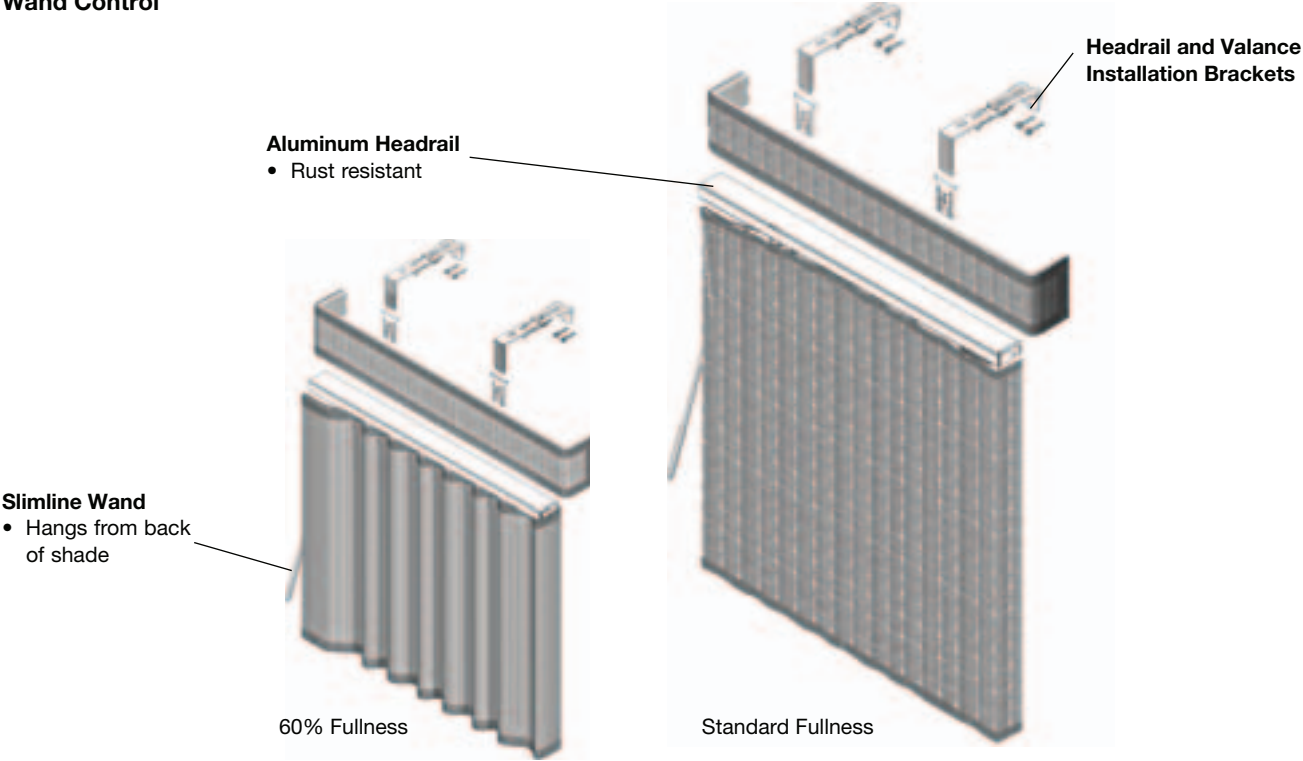
# General Information

## Natural Drapes Product Detail

### Cord Control



### Wand Control



**NOTE:** Natural materials are vertically oriented on the natural drapes and valance.



# Price Charts

## Price Group A: Lipo, Revelry

### Standard Roman and Old Style Roman

Height up to inches (cm) ↓	Width up to inches (cm) →												
	22 (55.9)	26 (66.1)	30 (76.2)	36 (91.5)	42 (106.7)	48 (122.0)	60 (152.4)	72 (182.9)	84 (213.4)	96 (243.9)	108 (274.4)	120 (304.8)	144 (365.8)
34 (86.4)	\$167	181	199	229	241	256	312	363	442	521	556	590	664
42 (106.7)	180	202	219	248	267	285	347	403	489	575	615	657	735
48 (122.0)	193	212	235	267	286	308	374	436	528	617	664	711	805
54 (137.2)	204	227	248	285	308	333	400	471	569	662	716	768	874
60 (152.4)	219	239	266	305	328	354	428	505	605	705	762	819	931
66 (167.7)	229	254	281	322	350	379	458	540	646	751	812	874	1000
72 (182.9)	241	268	297	339	370	400	487	575	681	791	861	926	1063
84 (213.4)	267	295	325	377	410	449	542	639	760	885	961	1039	1193
96 (243.9)	291	322	359	415	455	494	603	705	836	971	1057	1145	1321
108 (274.4)	319	353	395	438	494	549	649	777	909	1063	1155	1252	1443
120 (304.8)	345	384	430	477	534	606	707	849	984	1153	1255	1361	1566

### Add Surcharge to Shade Price

	\$119						119				119		
Cordless Lift													
Privacy Liner	63	76	92	103	113	128	152	190	216	237	266	299	356
Room-Darkening Liner	87	100	121	138	149	169	199	254	285	316	355	395	474
Valance Liner	15	18	24	25	29	32	37	45	50	54	63	70	84
Premiere Valance	40	43	48	50	55	61	77	84	93	107	119	137	159
Deco-Trim Valance or Deco-Trim Hem	82	84	89	91	93	97	101	105	113	118	124	127	135
Deco-Trim Pocket Hem, with Accent Rod	188	196	205	210	215	232	240	249	290	300	329	336	354
Deco-Trim Pocket Hem No Accent Rod	159	165	169	173	180	184	191	203	217	226	237	243	260

Dotted line cordless lift Lipo. Solid line cordless lift Revelry. Multiple cordless lift shades available up to 144" (365.8 cm). Liners available on all specialties except deco-trim valances. Cordless shades with liners have smaller size limits. Please contact customer service for the most up to date size considerations.

Due to material width sizes, shades to the right of the solid line must be manufactured as multiple shades on one headrail.

### Looped Roman

Height up to inches (cm) ↓	Width up to inches (cm) →												
	22 (55.9)	26 (66.1)	30 (76.2)	36 (91.5)	42 (106.7)	48 (122.0)	60 (152.4)	72 (182.9)	84 (213.4)	96 (243.9)	108 (274.4)	120 (304.8)	144 (365.8)
34 (86.4)	\$218	235	258	298	313	333	406	472	575	677	724	767	864
42 (106.7)	234	262	285	323	347	370	450	524	636	747	799	853	956
48 (122.0)	252	275	306	347	373	401	486	567	687	801	864	923	1047
54 (137.2)	266	295	323	370	401	432	519	612	740	861	931	998	1136
60 (152.4)	285	310	346	396	427	460	556	657	786	917	991	1064	1211
66 (167.7)	298	330	365	418	455	492	595	702	839	976	1056	1136	1300
72 (182.9)	313	348	387	441	482	519	633	747	886	1028	1119	1203	1381
84 (213.4)	347	383	422	490	534	584	705	832	988	1150	1250	1351	1552
96 (243.9)	378	418	467	539	591	642	783	917	1086	1263	1375	1488	1717
108 (274.4)	415	459	514	570	642	713	843	1010	1183	1381	1501	1628	1876
120 (304.8)	448	500	558	621	693	787	920	1104	1279	1499	1632	1769	2036

### Add Surcharge to Shade Price

Privacy Liner	\$75	85	100	111	120	136	160	197	222	243	275	306	364
Room-Darkening Liner	99	113	132	147	160	182	211	264	298	328	364	406	486
Valance Liner	15	18	24	25	29	32	37	45	50	54	63	70	84
Premiere Valance	40	43	48	50	55	61	77	84	93	107	119	137	159
Deco-Trim Valance or Deco-Trim Hem	82	84	89	91	93	97	101	105	113	118	124	127	135
Deco-Trim Pocket Hem, with Accent Rod	188	196	205	210	215	232	240	249	290	300	329	336	354
Deco-Trim Pocket Hem No Accent Rod	159	165	169	173	180	184	191	203	217	226	237	243	260

Due to material width sizes, shades to the right of the solid line must be manufactured as multiple shades on one headrail. Liners are 100% polyester. Liners available on all specialties except deco-trim valances. Due to weight limitations, shades with deco-pocket hems in the shaded area must be manufactured as multiple shades on one headrail at no charge.

## Colors

### Lipo

Ambrosia . . . . . 06702  
 Earthtones . . . . . 06793  
 Java . . . . . 06703  
 Tahoe . . . . . 60705

### Revelry

Birdnest . . . . . 80045  
 Dove . . . . . 80745  
 Dusk . . . . . 80743



# Price Charts

## Price Group B: Chencun, Escape, Majian, Serenity, Toushan II

### Standard Roman and Old Style Roman

Height up to inches (cm) ↓	Width up to inches (cm) →												
	22 (55.9)	26 (66.1)	30 (76.2)	36 (91.5)	42 (106.7)	48 (122.0)	60 (152.4)	72 (182.9)	84 (213.4)	96 (243.9)	108 (274.4)	120 (304.8)	144 (365.8)
34 (86.4)	\$190	218	225	256	267	292	362	414	500	582	616	659	795
42 (106.7)	205	228	242	281	306	337	388	454	544	649	699	745	888
48 (122.0)	225	248	271	309	341	372	428	482	585	700	770	822	977
54 (137.2)	231	256	289	326	361	395	458	519	642	744	796	878	1038
60 (152.4)	246	272	306	348	388	428	492	561	676	791	845	929	1098
66 (167.7)	257	289	322	372	406	448	528	603	731	837	896	986	1164
72 (182.9)	272	300	341	392	432	482	561	644	754	881	949	1044	1227
84 (213.4)	298	326	373	432	486	534	630	726	840	984	1079	1152	1345
96 (243.9)	326	360	405	474	529	588	697	802	927	1079	1183	1269	1489
108 (274.4)	351	410	436	503	570	636	756	875	1155	1177	1283	1389	1642
120 (304.8)	379	444	469	535	611	692	816	943	1166	1275	1386	1499	1792

### Add Surcharge to Shade Price

	\$119						119			119			
Cordless Lift													
Privacy Liner	63	76	92	103	113	128	152	190	216	237	266	299	356
Room-Darkening Liner	87	100	121	138	149	169	199	254	285	316	355	395	474
Valance Liner	15	18	24	25	29	32	37	45	50	54	63	70	84
Premiere Valance	40	43	48	50	55	61	77	84	93	107	119	137	159
Deco-Trim Valance or Deco-Trim Hem	82	84	89	91	93	97	101	105	113	118	124	127	135
Deco-Trim Pocket Hem, with Accent Rod	188	196	205	210	215	232	240	249	290	300	329	336	354
Deco-Trim Pocket Hem No Accent Rod	159	165	169	173	180	184	191	203	217	226	237	243	260

Dotted line cordless lift Serenity and Toushan II. Solid line cordless lift Chencun, Escape, and Majian. Multiple cordless lift shades available up to 144" (365.8 cm). Liners available on all specialties except deco-trim valances. Cordless shades with liners have smaller size limits. Please contact customer service for the most up to date size considerations.

Due to material width sizes, shades to the right of the solid line must be manufactured as multiple shades on one headrail.

### Looped Roman

Height up to inches (cm) ↓	Width up to inches (cm) →												
	22 (55.9)	26 (66.1)	30 (76.2)	36 (91.5)	42 (106.7)	48 (122.0)	60 (152.4)	72 (182.9)	84 (213.4)	96 (243.9)	108 (274.4)	120 (304.8)	144 (365.8)
34 (86.4)	\$247	284	292	333	347	379	471	538	650	757	800	856	1034
42 (106.7)	267	296	314	365	397	438	504	590	707	843	908	969	1155
48 (122.0)	292	323	352	402	444	483	556	626	761	909	1001	1068	1271
54 (137.2)	300	333	376	424	469	514	595	675	834	968	1035	1142	1349
60 (152.4)	320	354	397	453	504	556	640	729	879	1028	1098	1207	1428
66 (167.7)	334	376	418	483	528	583	687	783	950	1089	1165	1282	1513
72 (182.9)	354	390	444	510	562	626	729	837	980	1146	1234	1358	1595
84 (213.4)	388	424	485	562	632	693	819	944	1092	1279	1403	1498	1749
96 (243.9)	424	468	527	617	688	764	906	1043	1204	1403	1538	1650	1936
108 (274.4)	457	534	567	654	741	827	983	1137	1501	1530	1668	1806	2134
120 (304.8)	492	577	609	696	795	900	1062	1226	1516	1658	1801	1948	2330

### Add Surcharge to Shade Price

Privacy Liner	\$75	85	100	111	120	136	160	197	222	243	275	306	364
Room-Darkening Liner	99	113	132	147	160	182	211	264	298	328	364	406	486
Valance Liner	15	18	24	25	29	32	37	45	50	54	63	70	84
Premiere Valance	40	43	48	50	55	61	77	84	93	107	119	137	159
Deco-Trim Valance or Deco-Trim Hem	82	84	89	91	93	97	101	105	113	118	124	127	135
Deco-Trim Pocket Hem, with Accent Rod	188	196	205	210	215	232	240	249	290	300	329	336	354
Deco-Trim Pocket Hem No Accent Rod	159	165	169	173	180	184	191	203	217	226	237	243	260

Due to material width sizes, shades to the right of the solid line must be manufactured as multiple shades on one headrail. Liners are 100% polyester. Liners available on all specialties except deco-trim valances. Due to weight limitations, shades with deco-pocket hems in the shaded area must be manufactured as multiple shades on one headrail at no charge.

### Colors

Chencun		Escape		Serenity		Toushan II	
Appaloosa . . . . .	00846	Forest . . . . .	25601	Coastline . . . . .	15702	Mocha . . . . .	63759
White . . . . .	60417	Island . . . . .	25602	Dover White . . . . .	15700	Taupe . . . . .	63659
		Majian					
		Driftwood . . . . .	32445	Haze . . . . .	11502		
		Toffee . . . . .	32296				



# Price Charts

## Price Group C: Inan, Moniz, Yunnan

### Standard Roman and Old Style Roman

Height up to inches (cm) ↓	Width up to inches (cm) →												
	22 (55.9)	26 (66.1)	30 (76.2)	36 (91.5)	42 (106.7)	48 (122.0)	60 (152.4)	72 (182.9)	84 (213.4)	96 (243.9)	108 (274.4)	120 (304.8)	144 (365.8)
34 (86.4)	\$193	224	228	271	293	319	374	427	502	588	646	720	870
42 (106.7)	213	232	266	308	333	368	424	483	567	654	735	814	975
48 (122.0)	246	271	297	339	373	404	464	526	621	727	814	899	1068
54 (137.2)	254	282	313	360	394	434	502	569	674	783	872	959	1136
60 (152.4)	269	299	333	381	424	464	539	610	727	835	926	1016	1201
66 (167.7)	285	313	351	404	446	495	580	659	772	886	981	1078	1273
72 (182.9)	299	330	373	428	474	526	610	704	824	937	1040	1143	1342
84 (213.4)	327	360	408	472	529	585	692	792	921	1044	1151	1261	1474
96 (243.9)	356	392	443	516	581	640	759	880	1015	1146	1267	1386	1631
108 (274.4)	386	422	478	552	623	697	826	956	1163	1238	1375	1491	1796
120 (304.8)	417	451	512	586	671	755	893	1031	1174	1331	1486	1596	1961

### Add Surcharge to Shade Price

	\$119						119			119			
Cordless Lift													
Privacy Liner	63	76	92	103	113	128	152	190	216	237	266	299	356
Room-Darkening Liner	87	100	121	138	149	169	199	254	285	316	355	395	474
Valance Liner	15	18	24	25	29	32	37	45	50	54	63	70	84
Premiere Valance	40	43	48	50	55	61	77	84	93	107	119	137	159
Deco-Trim Valance or Deco-Trim Hem	82	84	89	91	93	97	101	105	113	118	124	127	135
Deco-Trim Pocket Hem, with Accent Rod	188	196	205	210	215	232	240	249	290	300	329	336	354
Deco-Trim Pocket Hem No Accent Rod	159	165	169	173	180	184	191	203	217	226	237	243	260

Dotted line cordless lift Inan and Yunnan. Solid line cordless lift Moniz. Multiple cordless lift shades available up to 144" (365.8 cm). Liners available on all specialties except deco-trim valances. Cordless shades with liners have smaller size limits. Please contact customer service for the most up to date size considerations.

Due to material width sizes, shades to the right of the solid line must be manufactured as multiple shades on one headrail.

### Looped Roman

Height up to inches (cm) ↓	Width up to inches (cm) →												
	22 (55.9)	26 (66.1)	30 (76.2)	36 (91.5)	42 (106.7)	48 (122.0)	60 (152.4)	72 (182.9)	84 (213.4)	96 (243.9)	108 (274.4)	120 (304.8)	144 (365.8)
34 (86.4)	\$252	291	296	352	380	415	486	555	653	764	839	936	1132
42 (106.7)	276	302	346	401	432	478	552	627	738	851	956	1058	1268
48 (122.0)	320	352	387	441	485	525	604	684	808	945	1058	1169	1389
54 (137.2)	330	366	407	468	513	565	653	740	876	1018	1133	1246	1477
60 (152.4)	350	389	432	496	552	604	701	794	945	1085	1203	1321	1562
66 (167.7)	370	407	457	525	580	643	754	856	1004	1151	1274	1401	1656
72 (182.9)	389	430	485	556	617	684	794	916	1071	1218	1352	1485	1745
84 (213.4)	426	468	530	613	688	761	900	1029	1198	1358	1497	1639	1917
96 (243.9)	463	510	576	671	755	833	987	1145	1320	1489	1647	1801	2120
108 (274.4)	501	549	622	717	810	906	1075	1243	1512	1609	1787	1939	2335
120 (304.8)	542	586	665	762	872	982	1161	1341	1526	1730	1932	2075	2550

### Add Surcharge to Shade Price

Privacy Liner	\$75	85	100	111	120	136	160	197	222	243	275	306	364
Room-Darkening Liner	99	113	132	147	160	182	211	264	298	328	364	406	486
Valance Liner	15	18	24	25	29	32	37	45	50	54	63	70	84
Premiere Valance	40	43	48	50	55	61	77	84	93	107	119	137	159
Deco-Trim Valance or Deco-Trim Hem	82	84	89	91	93	97	101	105	113	118	124	127	135
Deco-Trim Pocket Hem, with Accent Rod	188	196	205	210	215	232	240	249	290	300	329	336	354
Deco-Trim Pocket Hem No Accent Rod	159	165	169	173	180	184	191	203	217	226	237	243	260

Due to material width sizes, shades to the right of the solid line must be manufactured as multiple shades on one headrail. Liners are 100% polyester. Liners available on all specialties except deco-trim valances. Due to weight limitations, shades with deco-pocket hems in the shaded area must be manufactured as multiple shades on one headrail at no charge.

## Colors

Inan	Moniz	Yunnan
Umber . . . . . 04858	Austria . . . . . 05083	Arctic Seal . . . . . 19585
	Belgium . . . . . 05084	Rocky Shore . . . . . 19587
	Finland . . . . . 05080	Sky . . . . . 19586
	Peru . . . . . 05081	

# Price Charts

## Price Group D: Amour, Boardwalk, Majuro

### Standard Roman and Old Style Roman

Height up to inches (cm) ↓	Width up to inches (cm) →												
	22 (55.9)	26 (66.1)	30 (76.2)	36 (91.5)	42 (106.7)	48 (122.0)	60 (152.4)	72 (182.9)	84 (213.4)	96 (243.9)	108 (274.4)	120 (304.8)	144 (365.8)
34 (86.4)	\$234	257	279	321	342	359	438	511	622	732	783	831	934
42 (106.7)	254	284	307	350	373	402	488	568	688	807	865	921	1035
48 (122.0)	269	298	329	373	403	434	524	613	744	868	935	1001	1130
54 (137.2)	287	318	350	402	434	468	564	663	800	932	1007	1082	1231
60 (152.4)	308	339	370	430	462	500	602	713	853	991	1074	1153	1311
66 (167.7)	321	356	395	453	494	535	643	759	907	1057	1146	1231	1409
72 (182.9)	342	374	419	476	521	564	685	807	961	1113	1210	1304	1497
84 (213.4)	373	416	458	528	578	635	764	899	1069	1245	1352	1461	1678
96 (243.9)	409	453	503	580	638	694	847	991	1176	1369	1489	1612	1859
108 (274.4)	447	499	555	617	694	772	913	1095	1280	1497	1625	1763	2033
120 (304.8)	486	542	605	671	751	854	997	1197	1385	1623	1767	1914	2204

### Add Surcharge to Shade Price

	\$119						119			119			
Cordless Lift	63	76	92	103	113	128	152	190	216	237	266	299	356
Privacy Liner	87	100	121	138	149	169	199	254	285	316	355	395	474
Room-Darkening Liner	15	18	24	25	29	32	37	45	50	54	63	70	84
Valance Liner	40	43	48	50	55	61	77	84	93	107	119	137	159
Premiere Valance	82	84	89	91	93	97	101	105	113	118	124	127	135
Deco-Trim Valance or Deco-Trim Hem	188	196	205	210	215	232	240	249	290	300	329	336	354
Deco-Trim Pocket Hem, with Accent Rod	159	165	169	173	180	184	191	203	217	226	237	243	260
Deco-Trim Pocket Hem No Accent Rod													

Solid line cordless lift. Multiple cordless lift shades available up to 144" (365.8 cm). Liners available on all specialties except deco-trim valances. Cordless shades with liners have smaller size limits. Please contact customer service for the most up to date size considerations.

Due to material width sizes, shades to the right of the solid line must be manufactured as multiple shades on one headrail.

### Looped Roman

Height up to inches (cm) ↓	Width up to inches (cm) →												
	22 (55.9)	26 (66.1)	30 (76.2)	36 (91.5)	42 (106.7)	48 (122.0)	60 (152.4)	72 (182.9)	84 (213.4)	96 (243.9)	108 (274.4)	120 (304.8)	144 (365.8)
34 (86.4)	\$305	334	362	417	445	467	570	664	809	951	1018	1080	1215
42 (106.7)	330	369	399	455	485	523	635	739	894	1049	1124	1198	1345
48 (122.0)	350	388	429	485	524	565	681	797	968	1129	1216	1301	1469
54 (137.2)	374	413	455	523	565	608	733	862	1040	1212	1309	1407	1601
60 (152.4)	401	441	482	558	600	650	782	927	1109	1288	1395	1499	1704
66 (167.7)	417	463	514	589	642	696	836	987	1179	1375	1489	1601	1833
72 (182.9)	445	486	544	619	677	733	890	1049	1250	1447	1572	1695	1946
84 (213.4)	485	541	595	687	752	825	993	1169	1390	1619	1758	1900	2182
96 (243.9)	532	589	654	754	829	903	1101	1288	1529	1780	1936	2096	2416
108 (274.4)	581	649	721	801	903	1004	1187	1423	1664	1946	2114	2292	2643
120 (304.8)	632	705	786	872	976	1110	1296	1555	1800	2110	2297	2488	2865

### Add Surcharge to Shade Price

Privacy Liner	\$75	85	100	111	120	136	160	197	222	243	275	306	364
Room-Darkening Liner	99	113	132	147	160	182	211	264	298	328	364	406	486
Valance Liner	15	18	24	25	29	32	37	45	50	54	63	70	84
Premiere Valance	40	43	48	50	55	61	77	84	93	107	119	137	159
Deco-Trim Valance or Deco-Trim Hem	82	84	89	91	93	97	101	105	113	118	124	127	135
Deco-Trim Pocket Hem, with Accent Rod	188	196	205	210	215	232	240	249	290	300	329	336	354
Deco-Trim Pocket Hem No Accent Rod	159	165	169	173	180	184	191	203	217	226	237	243	260

Due to material width sizes, shades to the right of the solid line must be manufactured as multiple shades on one headrail. Liners are 100% polyester. Liners available on all specialties except deco-trim valances. Due to weight limitations, shades with deco-pocket hems in the shaded area must be manufactured as multiple shades on one headrail at no charge.

## Colors

Amour	Boardwalk	Majuro*
Pearl . . . . . 00116	Pier . . . . . 15968	Cattail . . . . . 45071
Radiant . . . . . 00001		Daisy . . . . . 45070
		Stonybrook . . . . . 45073
		Trail . . . . . 45072

\*Edge banding is required at no charge.

# Price Charts

## Price Group E: Beachfront, Meilin, Saterra, Terrestrial, Zishan

### Standard Roman and Old Style Roman

Height up to inches (cm) ↓	Width up to inches (cm) →													
	22 (55.9)	26 (66.1)	30 (76.2)	36 (91.5)	42 (106.7)	48 (122.0)	60 (152.4)	72 (182.9)	84 (213.4)	96 (243.9)	108 (274.4)	120 (304.8)	144 (365.8)	
34 (86.4)	\$276	302	329	376	402	427	516	599	732	865	921	978	1094	
42 (106.7)	299	332	362	411	444	473	576	667	811	953	1020	1088	1223	
48 (122.0)	320	352	390	444	474	513	619	727	873	1023	1101	1177	1331	
54 (137.2)	339	374	411	473	513	551	666	781	942	1094	1184	1271	1448	
60 (152.4)	361	399	440	504	548	589	706	838	1001	1169	1264	1355	1547	
66 (167.7)	379	418	463	534	581	626	756	891	1066	1245	1348	1449	1658	
72 (182.9)	402	444	490	559	613	666	807	949	1132	1311	1426	1537	1759	
84 (213.4)	443	487	539	620	684	743	900	1058	1259	1463	1592	1718	1973	
96 (243.9)	483	534	595	685	751	816	995	1169	1387	1605	1751	1893	2181	
108 (274.4)	526	583	636	742	818	882	1093	1278	1516	1755	1913	2070	2382	
120 (304.8)	567	630	701	811	882	953	1185	1389	1645	1905	2076	2246	2583	

### Add Surcharge to Shade Price

	\$119						119			119			
Cordless Lift													
Privacy Liner	63	76	92	103	113	128	152	190	216	237	266	299	356
Room-Darkening Liner	87	100	121	138	149	169	199	254	285	316	355	395	474
Valance Liner	15	18	24	25	29	32	37	45	50	54	63	70	84
Premiere Valance	40	43	48	50	55	61	77	84	93	107	119	137	159
Deco-Trim Valance or Deco-Trim Hem	82	84	89	91	93	97	101	105	113	118	124	127	135
Deco-Trim Pocket Hem, with Accent Rod	188	196	205	210	215	232	240	249	290	300	329	336	354
Deco-Trim Pocket Hem No Accent Rod	159	165	169	173	180	184	191	203	217	226	237	243	260

Solid line cordless lift. Multiple cordless lift shades available up to 144" (365.8 cm). Liners available on all specialties except deco-trim valances. Cordless shades with liners have smaller size limits. Please contact customer service for the most up to date size considerations.

Due to material width sizes, shades to the right of the solid line must be manufactured as multiple shades on one headrail.

### Looped Roman

Height up to inches (cm) ↓	Width up to inches (cm) →													
	22 (55.9)	26 (66.1)	30 (76.2)	36 (91.5)	42 (106.7)	48 (122.0)	60 (152.4)	72 (182.9)	84 (213.4)	96 (243.9)	108 (274.4)	120 (304.8)	144 (365.8)	
34 (86.4)	\$360	393	429	488	523	555	671	780	951	1124	1198	1272	1422	
42 (106.7)	389	431	471	535	577	615	748	867	1054	1239	1325	1414	1590	
48 (122.0)	416	458	507	577	617	667	805	945	1134	1329	1431	1530	1730	
54 (137.2)	441	486	535	615	667	716	866	1015	1225	1422	1539	1652	1882	
60 (152.4)	469	518	571	656	712	766	918	1090	1301	1520	1643	1763	2011	
66 (167.7)	492	543	603	693	755	814	983	1159	1386	1619	1752	1885	2156	
72 (182.9)	523	577	637	727	797	866	1049	1234	1471	1704	1853	1998	2287	
84 (213.4)	576	633	701	806	889	966	1170	1376	1637	1903	2069	2233	2565	
96 (243.9)	627	693	773	890	976	1062	1293	1520	1803	2087	2276	2461	2835	
108 (274.4)	684	758	827	964	1063	1147	1421	1661	1971	2282	2486	2691	3097	
120 (304.8)	738	819	912	1054	1147	1239	1540	1806	2138	2476	2699	2920	3359	

### Add Surcharge to Shade Price

Privacy Liner	\$75	85	100	111	120	136	160	197	222	243	275	306	364
Room-Darkening Liner	99	113	132	147	160	182	211	264	298	328	364	406	486
Valance Liner	15	18	24	25	29	32	37	45	50	54	63	70	84
Premiere Valance	40	43	48	50	55	61	77	84	93	107	119	137	159
Deco-Trim Valance or Deco-Trim Hem	82	84	89	91	93	97	101	105	113	118	124	127	135
Deco-Trim Pocket Hem, with Accent Rod	188	196	205	210	215	232	240	249	290	300	329	336	354
Deco-Trim Pocket Hem No Accent Rod	159	165	169	173	180	184	191	203	217	226	237	243	260

Due to material width sizes, shades to the right of the solid line must be manufactured as multiple shades on one headrail. Liners are 100% polyester. Liners available on all specialties except deco-trim valances. Due to weight limitations, shades with deco-pocket hems in the shaded area must be manufactured as multiple shades on one headrail at no charge.

### Colors

Beachfront	Meilin	Terrestrial	Zishan
Surf ..... 60041	Chroma ..... 51201	Alpaca ..... 28001	Auburn ..... 43689
Thatch ..... 60042	Onyx ..... 51227	Camel ..... 28003	Feather ..... 30735
Tidepool ..... 60040	<b>Saterra</b>		Hula ..... 30737
	Azure ..... 03269		Hut ..... 30736
	Terrain ..... 03370		Stardust ..... 43731
	Veridian ..... 03371		Toast ..... 43734

# Price Charts

## Price Group F: Azores, Madeira, Merino, Paralian

### Standard Roman and Old Style Roman

Height up to inches (cm) ↓	Width up to inches (cm) →												
	22 (55.9)	26 (66.1)	30 (76.2)	36 (91.5)	42 (106.7)	48 (122.0)	60 (152.4)	72 (182.9)	84 (213.4)	96 (243.9)	108 (274.4)	120 (304.8)	144 (365.8)
34 (86.4)	\$307	345	372	427	454	482	583	676	824	973	1039	1109	1243
42 (106.7)	342	376	407	463	501	534	649	751	917	1075	1152	1227	1379
48 (122.0)	360	397	437	501	534	578	698	819	988	1155	1244	1331	1507
54 (137.2)	381	424	463	534	578	621	750	881	1061	1236	1337	1436	1638
60 (152.4)	407	446	499	566	621	665	797	946	1131	1320	1426	1534	1746
66 (167.7)	429	474	524	604	657	705	855	1004	1204	1406	1521	1632	1862
72 (182.9)	450	502	552	634	690	750	912	1075	1280	1481	1608	1734	1984
84 (213.4)	501	551	609	701	771	839	1018	1198	1420	1653	1796	1941	2228
96 (243.9)	548	604	673	774	848	919	1123	1320	1568	1814	1979	2139	2461
108 (274.4)	598	657	727	831	918	1001	1219	1448	1716	1982	2163	2338	2691
120 (304.8)	652	705	779	885	993	1080	1320	1579	1861	2154	2348	2538	2925

### Add Surcharge to Shade Price

	\$119						119			119			
Cordless Lift	63	76	92	103	113	128	152	190	216	237	266	299	356
Privacy Liner	87	100	121	138	149	169	199	254	285	316	355	395	474
Room-Darkening Liner	15	18	24	25	29	32	37	45	50	54	63	70	84
Valance Liner	40	43	48	50	55	61	77	84	93	107	119	137	159
Premiere Valance	82	84	89	91	93	97	101	105	113	118	124	127	135
Deco-Trim Valance or Deco-Trim Hem	188	196	205	210	215	232	240	249	290	300	329	336	354
Deco-Trim Pocket Hem, with Accent Rod	159	165	169	173	180	184	191	203	217	226	237	243	260
Deco-Trim Pocket Hem No Accent Rod													

Solid line cordless lift. Multiple cordless lift shades available up to 144" (365.8 cm). Liners available on all specialties except deco-trim valances. Cordless shades with liners have smaller size limits. Please contact customer service for the most up to date size considerations.

Due to material width sizes, shades to the right of the solid line must be manufactured as multiple shades on one headrail.

### Looped Roman

Height up to inches (cm) ↓	Width up to inches (cm) →												
	22 (55.9)	26 (66.1)	30 (76.2)	36 (91.5)	42 (106.7)	48 (122.0)	60 (152.4)	72 (182.9)	84 (213.4)	96 (243.9)	108 (274.4)	120 (304.8)	144 (365.8)
34 (86.4)	\$399	448	483	555	590	626	758	879	1071	1265	1351	1442	1616
42 (106.7)	445	488	529	603	651	693	843	976	1192	1398	1498	1595	1793
48 (122.0)	468	516	569	651	693	752	907	1064	1285	1501	1618	1730	1959
54 (137.2)	496	552	603	693	752	808	974	1146	1379	1606	1738	1867	2130
60 (152.4)	529	580	649	735	808	865	1036	1230	1470	1716	1853	1994	2270
66 (167.7)	557	617	681	785	853	917	1112	1306	1566	1828	1976	2121	2420
72 (182.9)	585	653	717	824	897	974	1185	1398	1664	1925	2091	2255	2579
84 (213.4)	651	716	792	912	1002	1091	1324	1557	1847	2149	2335	2523	2897
96 (243.9)	712	785	875	1007	1103	1194	1460	1716	2039	2359	2573	2781	3200
108 (274.4)	778	853	945	1080	1193	1301	1585	1882	2231	2577	2812	3040	3499
120 (304.8)	848	917	1012	1150	1291	1404	1716	2053	2419	2799	3052	3299	3802

### Add Surcharge to Shade Price

Privacy Liner	\$75	85	100	111	120	136	160	197	222	243	275	306	364
Room-Darkening Liner	99	113	132	147	160	182	211	264	298	328	364	406	486
Valance Liner	15	18	24	25	29	32	37	45	50	54	63	70	84
Premiere Valance	40	43	48	50	55	61	77	84	93	107	119	137	159
Deco-Trim Valance or Deco-Trim Hem	82	84	89	91	93	97	101	105	113	118	124	127	135
Deco-Trim Pocket Hem, with Accent Rod	188	196	205	210	215	232	240	249	290	300	329	336	354
Deco-Trim Pocket Hem No Accent Rod	159	165	169	173	180	184	191	203	217	226	237	243	260

Due to material width sizes, shades to the right of the solid line must be manufactured as multiple shades on one headrail. Liners are 100% polyester. Liners available on all specialties except deco-trim valances. Due to weight limitations, shades with deco-pocket hems in the shaded area must be manufactured as multiple shades on one headrail at no charge.

## Colors

Azores	Madeira	Merino	Paralian*
Carob . . . . . 35063	Brunette . . . . . 65010	Belize . . . . . 55508	Mink . . . . . 25050
Snow . . . . . 35060	Wolf . . . . . 65011	Burgos . . . . . 50503	Otter . . . . . 25052
Suede . . . . . 35061		Grenada . . . . . 55507	Sand Dollar . . . . . 25051
Sycamore . . . . . 35062		Sevilla . . . . . 55506	

\*Edge banding is required at no charge.

## Price Charts

### Price Group G: Lipo, Revelry

#### Standard Drapery Fullness

Height up to inches (cm) ↓	Width up to inches (cm) →													
	48 (122.0)	60 (152.4)	72 (182.9)	78 (198.2)	84 (213.4)	96 (243.9)	108 (274.4)	120 (304.8)	132 (335.3)	144 (365.8)	156 (396.3)	168 (426.8)	180 (457.2)	192 (487.7)
36 (91.5)	\$394	463	516	564	650	662	721	899	958	1000	1052	1110	1186	1197
48 (122.0)	433	515	580	633	732	744	821	1003	1078	1132	1184	1252	1346	1356
60 (152.4)	485	566	644	703	815	827	918	1112	1197	1261	1311	1393	1508	1518
72 (182.9)	510	621	703	775	894	909	1017	1218	1320	1388	1442	1537	1666	1677
84 (213.4)	551	671	769	855	978	987	1112	1298	1440	1516	1575	1677	1827	1839
96 (243.9)	585	721	833	918	1056	1069	1178	1435	1560	1648	1706	1821	1989	1997
Privacy Liner	176	180	190	190	190	195	200	206	208	210	216	220	228	232
Room-Darkening Liner	228	232	246	246	246	252	257	262	268	278	281	288	294	301

**NOTE:** Price includes premiere valance. Must provide desired valance options.

#### 60% Drapery Fullness

Height up to inches (cm) ↓	Width up to inches (cm) →													
	48 (122.0)	60 (152.4)	72 (182.9)	78 (198.2)	84 (213.4)	96 (243.9)	108 (274.4)	120 (304.8)	132 (335.3)	144 (365.8)	156 (396.3)	168 (426.8)	180 (457.2)	192 (487.7)
36 (91.5)	\$602	707	787	861	993	1010	1101	1372	1462	1526	1605	1695	1810	1826
48 (122.0)	661	786	885	966	1118	1135	1253	1531	1645	1727	1806	1911	2053	2070
60 (152.4)	740	864	982	1072	1244	1263	1401	1698	1826	1925	2001	2127	2300	2318
72 (182.9)	778	947	1072	1184	1365	1388	1552	1859	2014	2118	2200	2345	2543	2560
84 (213.4)	840	1024	1174	1306	1494	1507	1698	1981	2197	2314	2403	2560	2789	2807
96 (243.9)	893	1101	1271	1401	1611	1632	1798	2190	2380	2515	2604	2779	3036	3048
Privacy Liner	281	288	304	304	304	312	322	330	334	337	345	354	362	369
Room-Darkening Liner	362	369	396	396	396	404	410	418	436	444	450	459	471	482

**NOTE:** Price includes premiere valance. Must provide desired valance options.

### Colors

#### Lipo

Ambrosia . . . . . 06702  
 Earthtones . . . . . 06793  
 Java . . . . . 06703  
 Tahoe . . . . . 06705

#### Revelry

Birdnest . . . . . 80045  
 Dove . . . . . 80745  
 Dusk . . . . . 80743

## Price Charts

### Price Group H: Chencun, Escape, Majian, Serenity, Toushan II

#### Standard Drapery Fullness

Height up to inches (cm) ↓	Width up to inches (cm) →													
	48 (122.0)	60 (152.4)	72 (182.9)	78 (198.2)	84 (213.4)	96 (243.9)	108 (274.4)	120 (304.8)	132 (335.3)	144 (365.8)	156 (396.3)	168 (426.8)	180 (457.2)	192 (487.7)
36 (91.5)	\$437	513	572	602	693	706	751	934	996	1039	1093	1152	1232	1242
48 (122.0)	478	571	642	675	780	793	853	1043	1121	1176	1230	1300	1398	1410
60 (152.4)	538	627	713	751	869	882	955	1156	1242	1311	1364	1448	1566	1579
72 (182.9)	565	686	780	827	955	969	1022	1228	1372	1444	1499	1596	1730	1743
84 (213.4)	608	742	852	893	1043	1052	1120	1315	1496	1576	1637	1743	1898	1912
96 (243.9)	650	798	921	982	1129	1142	1232	1444	1621	1711	1773	1892	2067	2076
Privacy Liner	176	180	190	190	190	195	200	206	208	210	216	220	228	232
Room-Darkening Liner	228	232	246	246	246	252	257	262	268	278	281	288	294	301

**NOTE:** Price includes premiere valance. Must provide desired valance options.

#### 60% Drapery Fullness

Height up to inches (cm) ↓	Width up to inches (cm) →													
	48 (122.0)	60 (152.4)	72 (182.9)	78 (198.2)	84 (213.4)	96 (243.9)	108 (274.4)	120 (304.8)	132 (335.3)	144 (365.8)	156 (396.3)	168 (426.8)	180 (457.2)	192 (487.7)
36 (91.5)	\$667	783	874	918	1058	1078	1146	1426	1520	1585	1668	1758	1880	1895
48 (122.0)	730	872	978	1030	1190	1210	1302	1592	1711	1795	1877	1984	2133	2152
60 (152.4)	821	958	1088	1146	1326	1347	1457	1764	1895	2001	2081	2210	2390	2409
72 (182.9)	862	1047	1190	1263	1457	1479	1560	1874	2093	2203	2287	2435	2641	2660
84 (213.4)	928	1132	1300	1363	1592	1605	1709	2008	2283	2404	2498	2660	2895	2917
96 (243.9)	993	1218	1406	1498	1723	1742	1880	2203	2474	2610	2706	2888	3155	3168
Privacy Liner	281	288	304	304	304	312	322	330	334	337	345	354	362	369
Room-Darkening Liner	362	369	396	396	396	404	410	418	436	444	450	459	471	482

**NOTE:** Price includes premiere valance. Must provide desired valance options.

### Colors

Chencun	Majian	Serenity	Toushan II
Appaloosa . . . . . 00846	Driftwood . . . . . 32445	Coastline . . . . . 15702	Mocha . . . . . 63759
White . . . . . 60417	Toffee . . . . . 32296	Dover White . . . . . 15700	Taupe . . . . . 63659
Escape		Haze . . . . . 11502	
Forest . . . . . 25601			
Island . . . . . 25602			



## Price Charts

### Price Group I: Inan, Moniz, Yunnan

#### Standard Drapery Fullness

Height up to inches (cm) ↓	Width up to inches (cm) →													
	48 (122.0)	60 (152.4)	72 (182.9)	78 (198.2)	84 (213.4)	96 (243.9)	108 (274.4)	120 (304.8)	132 (335.3)	144 (365.8)	156 (396.3)	168 (426.8)	180 (457.2)	192 (487.7)
36 (91.5)	\$470	554	616	646	746	761	831	1032	1101	1149	1210	1275	1363	1376
48 (122.0)	516	615	693	728	840	855	944	1156	1241	1299	1361	1440	1548	1562
60 (152.4)	578	677	767	809	935	950	1056	1279	1376	1449	1507	1601	1732	1745
72 (182.9)	608	739	840	891	1029	1043	1167	1402	1518	1594	1658	1766	1841	1929
84 (213.4)	657	801	918	983	1124	1135	1279	1525	1620	1743	1810	1929	2102	2114
96 (243.9)	699	862	991	1056	1216	1230	1393	1648	1793	1893	1961	2094	2286	2296
Privacy Liner	176	180	190	190	190	195	200	206	208	210	216	220	228	232
Room-Darkening Liner	228	232	246	246	246	252	257	262	268	278	281	288	294	301

**NOTE:** Price includes premiere valance. Must provide desired valance options.

#### 60% Drapery Fullness

Height up to inches (cm) ↓	Width up to inches (cm) →													
	48 (122.0)	60 (152.4)	72 (182.9)	78 (198.2)	84 (213.4)	96 (243.9)	108 (274.4)	120 (304.8)	132 (335.3)	144 (365.8)	156 (396.3)	168 (426.8)	180 (457.2)	192 (487.7)
36 (91.5)	\$717	846	940	986	1138	1162	1267	1576	1679	1754	1846	1946	2080	2100
48 (122.0)	787	937	1058	1111	1282	1306	1441	1764	1893	1983	2077	2197	2362	2384
60 (152.4)	881	1034	1170	1234	1428	1450	1611	1952	2100	2212	2299	2443	2644	2663
72 (182.9)	928	1128	1282	1360	1570	1592	1782	2139	2318	2432	2529	2695	2810	2943
84 (213.4)	1002	1223	1401	1500	1716	1732	1952	2327	2472	2660	2763	2943	3208	3225
96 (243.9)	1066	1315	1513	1611	1855	1877	2127	2515	2736	2889	2993	3196	3489	3504
Privacy Liner	281	288	304	304	304	312	322	330	334	337	345	354	362	369
Room-Darkening Liner	362	369	396	396	396	404	410	418	436	444	450	459	471	482

**NOTE:** Price includes premiere valance. Must provide desired valance options.

### Colors

Inan	Moniz	Yunnan
Umber . . . . . 04858	Austria . . . . . 05083	Arctic Seal . . . . . 19585
	Belgium . . . . . 05084	Rocky Shore . . . . . 19587
	Finland . . . . . 05080	Sky . . . . . 19586
	Peru . . . . . 05081	

## Price Charts

### Price Group J: Amour, Boardwalk, Majuro

#### Standard Drapery Fullness

Height up to inches (cm) ↓	Width up to inches (cm) →													
	48 (122.0)	60 (152.4)	72 (182.9)	78 (198.2)	84 (213.4)	96 (243.9)	108 (274.4)	120 (304.8)	132 (335.3)	144 (365.8)	156 (396.3)	168 (426.8)	180 (457.2)	192 (487.7)
36 (91.5)	\$474	562	620	665	769	782	853	1063	1133	1183	1243	1312	1402	1415
48 (122.0)	521	622	696	748	864	879	971	1187	1275	1337	1399	1480	1592	1605
60 (152.4)	583	691	779	832	963	978	1086	1315	1415	1490	1550	1648	1782	1796
72 (182.9)	620	747	847	917	1057	1074	1202	1441	1561	1639	1704	1817	1970	1984
84 (213.4)	671	804	924	1011	1157	1166	1315	1564	1701	1792	1864	1984	2160	2174
96 (243.9)	710	868	996	1086	1250	1266	1485	1696	1844	1947	2017	2154	2352	2361
Privacy Liner	176	180	190	190	190	195	200	206	208	210	216	220	228	232
Room-Darkening Liner	228	232	246	246	246	252	257	262	268	278	281	288	294	301

**NOTE:** Price includes premiere valance. Must provide desired valance options.

#### 60% Drapery Fullness

Height up to inches (cm) ↓	Width up to inches (cm) →													
	48 (122.0)	60 (152.4)	72 (182.9)	78 (198.2)	84 (213.4)	96 (243.9)	108 (274.4)	120 (304.8)	132 (335.3)	144 (365.8)	156 (396.3)	168 (426.8)	180 (457.2)	192 (487.7)
36 (91.5)	\$724	858	946	1015	1174	1193	1302	1622	1729	1805	1896	2002	2139	2159
48 (122.0)	795	949	1062	1143	1319	1341	1482	1811	1946	2040	2134	2258	2429	2449
60 (152.4)	890	1055	1188	1269	1470	1494	1658	2008	2159	2274	2365	2515	2719	2741
72 (182.9)	946	1140	1292	1400	1614	1638	1834	2199	2381	2501	2601	2772	3006	3027
84 (213.4)	1024	1226	1410	1542	1765	1780	2008	2387	2595	2735	2845	3027	3296	3318
96 (243.9)	1083	1325	1520	1658	1907	1931	2266	2588	2813	2971	3079	3286	3590	3603
Privacy Liner	281	288	304	304	304	312	322	330	334	337	345	354	362	369
Room-Darkening Liner	362	369	396	396	396	404	410	418	436	444	450	459	471	482

**NOTE:** Price includes premiere valance. Must provide desired valance options.

### Colors

Amour	Boardwalk	Majuro*
Pearl . . . . . 00116	Pier . . . . . 15968	Cattail . . . . . 45071
Radiant . . . . . 00001		Daisy . . . . . 45070
		Stonybrook . . . . . 45073
		Trail . . . . . 45072

\*Edge banding is required at no charge.

## Price Charts

### Price Group K: Azores, Madeira, Merino, Paralian

#### Standard Drapery Fullness

Height up to inches (cm) ↓	Width up to inches (cm) →													
	48 (122.0)	60 (152.4)	72 (182.9)	78 (198.2)	84 (213.4)	96 (243.9)	108 (274.4)	120 (304.8)	132 (335.3)	144 (365.8)	156 (396.3)	168 (426.8)	180 (457.2)	192 (487.7)
36 (91.5)	\$530	624	698	772	891	908	989	1233	1314	1372	1441	1521	1624	1641
48 (122.0)	583	694	781	867	1002	1021	1125	1377	1480	1550	1622	1716	1844	1862
60 (152.4)	599	764	866	966	1117	1134	1259	1527	1641	1728	1799	1912	2067	2081
72 (182.9)	686	837	948	1061	1226	1244	1393	1671	1808	1901	1977	2106	2284	2300
84 (213.4)	740	904	1036	1175	1340	1354	1527	1808	1974	2078	2159	2300	2503	2521
96 (243.9)	789	972	1120	1259	1450	1467	1739	1966	2137	2257	2339	2495	2726	2738
Privacy Liner	176	180	190	190	190	195	200	206	208	210	216	220	228	232
Room-Darkening Liner	228	232	246	246	246	252	257	262	268	278	281	288	294	301

**NOTE:** Price includes premiere valance. Must provide desired valance options.

#### 60% Drapery Fullness

Height up to inches (cm) ↓	Width up to inches (cm) →													
	48 (122.0)	60 (152.4)	72 (182.9)	78 (198.2)	84 (213.4)	96 (243.9)	108 (274.4)	120 (304.8)	132 (335.3)	144 (365.8)	156 (396.3)	168 (426.8)	180 (457.2)	192 (487.7)
36 (91.5)	\$809	953	1065	1178	1360	1386	1510	1882	2006	2093	2199	2321	2479	2503
48 (122.0)	890	1059	1191	1323	1529	1557	1717	2102	2258	2365	2475	2619	2813	2841
60 (152.4)	915	1165	1322	1473	1704	1730	1921	2331	2503	2637	2745	2917	3155	3176
72 (182.9)	1047	1278	1447	1619	1871	1899	2127	2550	2759	2901	3018	3214	3485	3510
84 (213.4)	1129	1379	1580	1793	2046	2067	2331	2759	3013	3171	3294	3510	3820	3847
96 (243.9)	1205	1483	1709	1921	2213	2238	2654	2999	3262	3444	3569	3807	4160	4177
Privacy Liner	281	288	304	304	304	312	322	330	334	337	345	354	362	369
Room-Darkening Liner	362	369	396	396	396	404	410	418	436	444	450	459	471	482

**NOTE:** Price includes premiere valance. Must provide desired valance options.

### Colors

Azores	Madeira	Merino	Paralian*
Carob..... 35063	Brunette..... 65010	Belize..... 55508	Mink..... 25050
Snow..... 35060	Wolf..... 65011	Burgos..... 50503	Otter..... 25052
Suede..... 35061		Grenada..... 55507	Sand Dollar..... 25051
Sycamore..... 35062		Sevilla..... 55506	

\*Edge banding is required at no charge.

# Options Pricing

## Options Pricing

Natural Shade Options	Surcharge
Angled Top	Price as standard shade using angled width and longest height; add \$226
Bay or Corner Window	No charge
Bottom Up/Top Down	\$99
Continuous-Loop Lift	\$99 per panel
Cord Cleats	Antique brass: \$5 Solid brass: \$10
Cord Winder	\$8
Cut-Outs	\$67
Edge Banding	Standard: \$131; looped: \$165; old style: \$131; valance only: \$53
Hem Options: Standard Hem	No charge
Hem Options: Deco-Trim	See price charts
Hem Options: Deco-Pocket	See price charts
Hold Down Brackets (extend from side of hem and must be requested at the time of the order)	No charge
Liners: Privacy and Room Darkening	See price charts
Motorized Lift: Standard and Old Style Roman Shades	See motorization price list
Multiple Shades on One Headrail	Two on one headrail (to left of bold line on price chart): \$99 Three on one headrail (to left of bold line on price chart): \$99
Projection Brackets: 2" (5.1 cm), 2 <sup>5</sup> / <sub>8</sub> " (6.7 cm), 3 <sup>1</sup> / <sub>2</sub> " (8.9 cm)	No charge
Returns: 2" (5.1 cm) for Shades	No charge (not available on turned headrail)
Side Mount Bracket	No charge
Turned Headrail	No charge
Valances: 6" (15.3 cm)	No charge
Valances: 9" (22.9 cm)	\$14; no charge for continuous-loop lift or motorized lift
Valances: Premiere	See price charts
Valances: Deco-Trim	See price charts
Wood Cornices and Valances	See cornices and valances price list

Natural Drape Options	Surcharge
Ceiling Brackets	No charge
Drape Fullness: Standard or 60%	See price charts
Edge Banding for Top, Bottom, and Valance	No charge
Edge Banding for Drape Side Optional	No charge
No Valance: Optional	No charge
Privacy or Room-Darkening Liner for Drape (option at time of order)	See price charts
Premiere Valance (included at the time of order)	No charge at time of order; premiere valance only, see price chart below
Wood Cornices and Valances	See cornices and valances price list

## Premiere Valance Only

Width up to inches (cm)	18	24	28	32	36	42	48	54	60	66	72	78	84	90	96	108	120	144	156	168	180	192
Premiere Valance	\$97	108	120	138	147	167	186	205	223	242	259	279	298	317	335	373	411	448	486	524	562	600
Liner on Valance (Privacy or Room Darkening)	13	15	18	24	25	29	32	35	37	42	45	47	50	52	54	63	70	84	100	117	133	150

**NOTE:** The valance material comes attached to a hardwood frame and includes mounting brackets (standard, ceiling, or projection brackets).



Grabber is a brand of Springs Window Fashions, the Best Experience Company 

Grabber and the Grabber logo are registered trademarks of Springs Window Fashions, LLC.

19-0358-04 (02/18) 17-7613|S17-4738