

# VERTICAL BLINDS

## Table of Contents

### Features

|   |   |
|---|---|
| Vertical Blinds: Vane Styles and Information . . . . .  | 3 |
| Sheer Vertical Blinds: Styles, Fabric Content, Light Control, Light Control Levels,<br>Oeko-Tex® Standard 100 Certified Fabrics, NFPA 701 . . . . . | 4 |
| Vertical Blinds: Vane Features . . . . .  | 5 |

### Size Considerations

|  |   |
|--|---|
| Vertical Blinds, Depth Requirements for Inside Mount . . . . .       | 6 |
| Sheer Vertical Blinds, Depth Requirements for Inside Mount . . . . . | 6 |

### Options

|   |    |
|---|----|
| Summary . . . . .   | 7  |
| Vertical Blinds: Control Options . . . . .  | 8  |
| Sheer Vertical Blinds: Control Options . . . . .  | 8  |
| Vertical Blinds: Headrail Systems . . . . .   | 9  |
| Vertical Blinds, Sheer Vertical Blinds: Stacking Options, Installation Types . . . . .        | 10 |
| Vertical Blinds: Cut-Out Blinds, Bottom Chain . . . . .                                       | 11 |
| Vertical Blinds: Stay Clear™ Channel Panel for Fabric Vanes . . . . .                         | 12 |
| Vertical Blinds, Sheer Vertical Blinds: Paired Blinds, Vane Replacement Ordering . . . . .    | 12 |
| Sheer Vertical Blinds: Hem Style, Cut Yardage . . . . .                                       | 13 |
| Vertical Blinds: Square-Corner Valance . . . . .  | 14 |
| Vertical Blinds, Sheer Vertical Blinds: Round-Corner, Double Round-Corner Valances . . . . .  | 14 |
| Sheer Vertical Blinds: Dauphine® Valance . . . . .  | 14 |
| Vertical Blinds, Sheer Vertical Blinds: Bay and Corner Windows . . . . .                      | 15 |
| Vertical Blinds: Specialty Shapes: Curved Headrail, Curved Headrail Measuring Guide . . . . . | 16 |
| Vertical Blinds: Specialty Shapes: Angled Window Headrail . . . . .                           | 17 |

### General Information

|  |    |
|--|----|
| Vertical Blinds, Sheer Vertical Blinds: Installation Hardware, Number of Mounting Brackets . . . . .                           | 18 |
| Vertical Blinds, Sheer Vertical Blinds: Clear Opening: How to Measure for Uncovered Window . . . . .                           | 19 |
| Vertical Blinds: Vane Stacking Chart: G-71 Super-Vue® 3½" (8.9 cm) . . . . .   | 19 |
| Vertical Blinds: Vane Stacking Chart: G-98 Ultra-Vue™ 3½" (8.9 cm), Vane Stacking Chart: G-85 Dura-Vue® 3½" (8.9 cm) . . . . . | 20 |
| Vertical Blinds: Vane Stacking Chart: One Touch® Control . . . . .   | 21 |
| Sheer Vertical Blinds: Vane Stacking Chart: Outside Mount, Vane Stacking Chart: Inside Mount . . . . .                         | 22 |
| Sheer Vertical Blinds: Vane Color Coordination Chart . . . . .   | 23 |
| G-71 Super-Vue Product Detail . . . . .  | 24 |
| G-98 Ultra-Vue Product Detail . . . . .  | 25 |
| G-85 Dura-Vue Product Detail . . . . .   | 26 |
| Sheer Vertical Blinds: G-71 Super-Vue Product Detail . . . . .   | 27 |



# Table of Contents

## Price Charts and Options Pricing

|  |     |
|--|-----|
| Price Group A: G-71 Super-Vue® and G-98 Ultra-Vue™             | .29 |
| Price Group A: G-85 Dura-Vue®                                  | .29 |
| Price Group B: G-71 Super-Vue and G-98 Ultra-Vue               | .30 |
| Price Group B: G-85 Dura-Vue.                                  | .30 |
| Price Group C: G-71 Super-Vue and G-98 Ultra-Vue               | .31 |
| Price Group C: G-85 Dura-Vue.                                  | .31 |
| Price Group C: Stay Clear Channel Panel Surcharges             | .31 |
| Price Group D: G-71 Super-Vue and G-98 Ultra-Vue               | .32 |
| Price Group D: G-85 Dura-Vue.                                  | .32 |
| Price Group D: Stay Clear Channel Panel Surcharges             | .32 |
| Price Group E: G-71 Super-Vue and G-98 Ultra-Vue.              | .33 |
| Price Group E: G-85 Dura-Vue.                                  | .33 |
| Price Group E: Stay Clear Channel Panel Surcharges.            | .33 |
| Price Group F: G-71 Super-Vue and G-98 Ultra-Vue.              | .34 |
| Price Group F: G-85 Dura-Vue.                                  | .34 |
| Price Group F: Stay Clear Channel Panel Surcharges.            | .34 |
| Price Group G: Sheer Vertical Blinds: Gossamer, Highlight.     | .35 |
| Price Group H: Sheer Vertical Blinds: Bengali, Cascade, Dijon. | .35 |
| Options Pricing  | .36 |
| Vertical Blinds: Headrail Pricing                              | .37 |
| Vertical Blinds: Curved Headrail Surcharge                     | .37 |
| Sheer Vertical Blinds: Replacement Headrail Pricing.           | .37 |
| Sheer Vertical Blinds: Replacement Fabric Pricing              | .37 |
| Sheer Vertical Blinds: Replacement Valance Fabric only Pricing | .37 |
| Replacement Dauphine Valance with Shirred Fabric Pricing.      | .37 |
| Replacement Round-Corner Valance Pricing                       | .37 |
| Replacement Double Round-Corner Valance Pricing                | .37 |

## Features

- Choose from a variety of fabric, crown, or s-shaped vinyl vanes
- S-shaped vanes feature a rolling drapery look
- Fabric vanes can be free hanging or inserted into channel panel for more light control and privacy
- Many vinyl styles coordinate with Graber® 2" (5.1 cm) Vinyl Horizontal Blinds
- Several fabric styles coordinate with Graber FashionPleat®, EvenPleat®, or LightWeaves® Shades

### Vertical Blinds: Vane Styles and Information

| Collection Name       | Price Chart | Material Content | Light Control                      | Vane Style | Street Side Appearance | Coordinates   |
|-----------------------|-------------|------------------|------------------------------------|------------|------------------------|---|
| <b>Fabric</b>         |             |                  |                                    |            |                        |   |
| Allure                | E           | Fabric           | Light filtering/<br>room darkening | FH or INS  |                        | LightWeaves Roller                                    |
| Baskerville           | C           | Fabric           | Light filtering/<br>transparent    | FH or INS  |                        |   |
| Brighton FR           | C           | Fabric           | Light filtering                    | FH or INS  |                        | FashionPleat and<br>EvenPleat                         |
| Compass®              | F           | Fabric           | Room darkening                     | FH         |                        |   |
| Crossweave®           | F           | Fabric           | Light filtering                    | FH or INS  |                        | LightWeaves Roller,<br>FashionPleat, and<br>EvenPleat |
| Devon                 | D           | Fabric           | Light filtering                    | FH or INS  |                        |   |
| Grasses               | D           | Fabric           | Light filtering                    | FH or INS  |                        |   |
| Harmony®              | C           | Fabric           | Light filtering/<br>transparent    | FH or INS  |                        | LightWeaves Roller                                    |
| Network               | F           | Fabric           | Light filtering                    | FH or INS  |                        |   |
| Prescott®             | F           | Fabric           | Room darkening                     | FH         |                        |   |
| Royale®               | E           | Fabric           | Light filtering/<br>transparent    | FH or INS  |                        | LightWeaves Roller                                    |
| Sheffield®            | C           | Fabric           | Light filtering/<br>transparent    | FH or INS  |                        | LightWeaves Roller                                    |
| Strings               | E           | Fabric           | Transparent                        | FH         |                        |   |
| Tahiti Weave          | D           | Fabric           | Light filtering                    | FH or INS  |                        |   |
| Thatch                | D           | Fabric           | Light filtering                    | FH or INS  |                        |   |
| Tuvalu®               | E           | Fabric           | Light filtering/<br>transparent    | FH or INS  |                        | EvenPleat   |
| Urban Loft®           | E           | Fabric           | Light filtering/<br>transparent    | FH or INS  |                        |   |
| <b>S-Shaped Vinyl</b> |             |                  |                                    |            |                        |   |
| Georgetown S          | E           | 100% vinyl       | Room darkening                     | S-shaped   | Neutral                | 2" (5.1 cm)<br>horizontal vinyl                       |
| Homespun II S         | D           | 100% vinyl       | Room darkening                     | S-shaped   | Neutral                |   |
| Linen S               | C           | 100% vinyl       | Room darkening                     | S-shaped   | Neutral                | 2" (5.1 cm)<br>horizontal vinyl                       |
| Quantum S             | C           | 100% vinyl       | Room darkening                     | S-shaped   | Neutral                |   |
| <b>Crown Vinyl</b>    |             |                  |                                    |            |                        |   |
| Acropolis             | E           | 100% vinyl       | Room darkening                     | Crown      | Neutral                |   |
| Cachet                | B           | 100% vinyl       | Room darkening                     | Crown      | Neutral                | 2" (5.1 cm)<br>horizontal vinyl                       |
| Channel Panel         | B           | 100% vinyl       | Room darkening                     | Crown      | Same front and back    |   |
| Chenille              | D           | 100% vinyl       | Room darkening                     | Crown      | Neutral                |   |
| Coronation            | E           | 100% vinyl       | Room darkening                     | Crown      | Neutral                | 2" (5.1 cm)<br>horizontal vinyl                       |
| Crown                 | A           | 100% vinyl       | Room darkening                     | Crown      | Neutral                | 2" (5.1 cm)<br>horizontal vinyl                       |
| Fiber                 | B           | 100% vinyl       | Room darkening                     | Crown      | Same front and back    | 2" (5.1 cm)<br>horizontal vinyl                       |
| Grotto                | A           | 100% vinyl       | Room darkening                     | Crown      | Neutral                |   |
| Homespun II           | C           | 100% vinyl       | Room darkening                     | Crown      | Neutral                | 2" (5.1 cm)<br>horizontal vinyl                       |
| Kensington            | E           | 100% vinyl       | Room darkening                     | Crown      | Neutral                | 2" (5.1 cm)<br>horizontal vinyl                       |
| Lake Forest®          | C           | 100% vinyl       | Room darkening                     | Crown      | Same front and back    | Lake Forest<br>Faux Wood Blinds                       |
| Parallels             | D           | 100% vinyl       | Room darkening                     | Crown      | Neutral                |   |
| Quantum               | B           | 100% vinyl       | Room darkening                     | Crown      | Neutral                | 2" (5.1 cm)<br>horizontal vinyl                       |
| Rapture               | C           | 100% vinyl       | Room darkening                     | Crown      | Neutral                | 2" (5.1 cm)<br>horizontal vinyl                       |
| Safari                | D           | 100% vinyl       | Room darkening                     | Crown      | Neutral                | 2" (5.1 cm)<br>horizontal vinyl                       |
| Satin Stripe          | C           | 100% vinyl       | Room darkening                     | Crown      | Neutral                |   |
| Stowe                 | B           | 100% vinyl       | Room darkening                     | Crown      | Neutral                |   |
| Window Weaves         | B           | 100% vinyl       | Room darkening                     | Crown      | Neutral                |   |

®Oeko-Tex® fabric

FR—Flame resistant NFPA 701

FH—Free hanging fabric

INS—Fabric inserted into channel panel

## Features

Sheer vertical blinds combine the soft look of sheer fabric draperies and the light control benefits of vinyl vertical blinds. When the vanes are open, softly diffused light streams into the room through sheer fabric for minimal privacy and light control; when closed, light is blocked from entering the room to provide maximum privacy and light control. Not only for patio doors, sheer vertical blinds also look beautiful on wider or uniquely shaped windows. Plus, sheer vertical fabrics are easily removed and machine washable.

- Fabric easily installed and removed—no need to take down entire blind
- Easily replace original fabric with different style or color when décor changes
- Fabric is machine washable
- Color coordinated thread for a finished appearance
- Heavy-duty aluminum headrail with steel pantograph system ensures smooth operation and proportional spacing of vanes
- Available as both inside and outside mount
- Cord and chain control only
- Stems are removable for easy replacement in the home

### Sheer Vertical Blinds: Styles, Fabric Content, and Light Control

| Collection Name | Price Chart | Material Content | Light Control        | Vane Style | Street Side Appearance | Coordinates     |
|-----------------|-------------|------------------|----------------------|------------|------------------------|-----------------|
| Bengali         | H           | 100% polyester   | Sheer/room darkening | FH         | Neutral                | Graber® Artisan |
| Cascade         | H           | 100% polyester   | Sheer/room darkening | FH         | Neutral                | Graber Artisan  |
| Dijon           | H           | 100% polyester   | Sheer/room darkening | FH         | Neutral                |                 |
| Gossamer        | G           | 100% polyester   | Sheer/room darkening | FH         | Neutral                | Graber Artisan  |
| Highlight       | G           | 100% polyester   | Sheer/room darkening | FH         | Neutral                | Graber Artisan  |

### Light Control Levels

#### Light Filtering:

Light is filtered to varying degrees depending on fabric style and color; silhouettes of objects and people are visible through the blind.

#### Room Darkening:

Light is substantially blocked; vague shadows of objects or people may be visible; maximum room darkening is achieved with darker colors.

#### Openness:

The amount of UV ray blockage is the inverse of a fabric's openness factor (i.e., a fabric with 5% openness blocks 95% of UV rays).

### Oeko-Tex® Standard 100 Certified Fabrics

Oeko-Tex Standard 100 certifies that our fabrics are free of PVC, halogen, lead, formaldehyde, allergenic dyes, pesticides, phenols, heavy metals, and meet all VOC content limits.

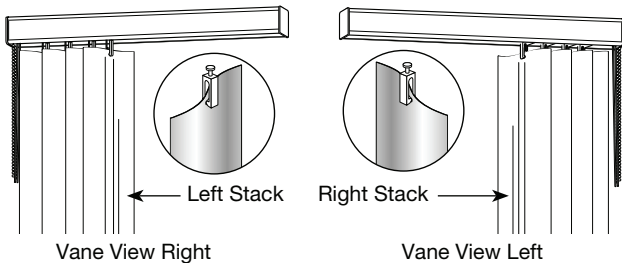
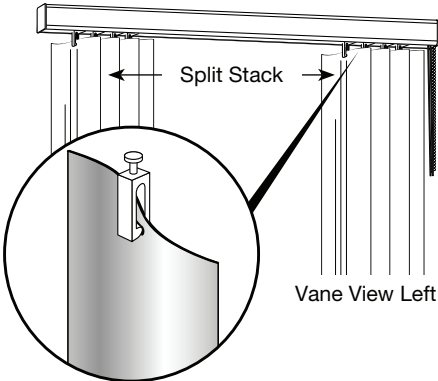
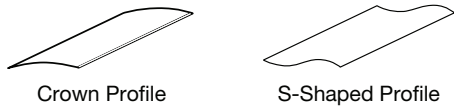


### NFPA 701

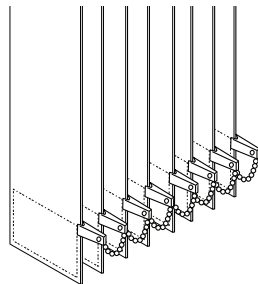
NFPA 701 Flame resistance test is the standard method of fire tests for flame propagation of textiles and films by the National Fire Protection Agency.

# Features

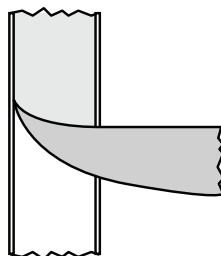
## Vertical Blinds: Vane Features



**Vane View:** Side the color or texture is facing when vanes are rotated open so you can see through the vanes to the street.



Free Hanging Fabric with Bottom Chain and Clips



Vane Material Inserted in Channel Panel

### Vinyl Styles

- All vinyl vanes offer value, durability, easy cleaning, and superior light control
- Choose from embossed crown, smooth crown, or S-shaped embossed vinyl vanes
- Embossed textures offered in solids or prints with the look of jacquard or linen fabrics, wood, or stucco
- Coordinating 2" (5.1 cm) horizontal vinyl blinds available for many styles; for pricing on 2" (5.1 cm) horizontal vinyl blinds, see the Graber® 2" (5.1 cm) horizontal vinyl price list

### Vinyl Crown Vanes

- Traditional curved vanes

### Vinyl S-Shaped Vanes

- Provide a more drapery like look to your vertical blinds
- Provide better closure for more light control and privacy
- Valances are made with crown PVC of the same texture and color; dye lot cannot be guaranteed
- S-shaped vanes are NOT reversible; vane view shows which side the color/texture is facing when vanes are rotated open so you can see out the window
  - Right stack and split stack—left
  - Left stack—right
- You may choose a vane view other than the recommended if you are concerned about which side of the vane you will see when blinds are rotated open
- For paired, bay and corner blinds, the same vane view is recommended for all blinds

**NOTE:** See illustrations on how S-shaped vanes will hang.

### Fabric Vanes

- Designer fabric vane styles range from sheer to room darkening in a variety of weaves and materials
- Free-hanging vanes come with sewn-in bottom weights and optional chain and clips
- For increased privacy and room darkening, fabric vanes can be inserted into channel panels; the clear edge channels hold fabric securely and will not yellow over time; the opaque vinyl vanes provide additional privacy and light control; see price chart G for replacement pricing
- Coordinating Graber pleated, Roman, solar and roller shade fabric and Graber sliding panels are available for selected styles
- Available in 3½" (8.9 cm) fabric styles

### Additional Information

- Due to the nature of vane materials (both fabric and vinyl prints), colors may vary slightly from dye lot to dye lot; exact matches cannot be guaranteed
- Due to the random design of some vane patterns, exact alignment of the pattern across the blind is not possible

# Size Considerations

## Vertical Blinds

|                 | Width                            |                                 |                     | Height              |                     |
|-----------------|----------------------------------|---------------------------------|---------------------|---------------------|---------------------|
|                 | Minimum Single Stack inches (cm) | Minimum Split Stack inches (cm) | Maximum inches (cm) | Minimum inches (cm) | Maximum inches (cm) |
| G-71 Super-Vue® | 9 (22.9)                         | 12 (30.5)                       | 191 (485.2)         | 12 (30.5)           | 192 (487.7)         |
| G-98 Ultra-Vue™ | 9 (22.9)                         | 17 (43.2)                       | 191 (485.2)         | 12 (30.5)           | 192 (487.7)         |
| G-85 Dura-Vue®  | 9 (22.9)                         | 12 (30.5)                       | 178¾ (454.1)        | 12 (30.5)           | 144 (365.8)         |
| One Touch®      | 9 (22.9)                         | N/A                             | 144 (365.8)         | 12 (30.5)           | 96 (243.9)          |



**One Touch Control:** 10,080 square inches (6.5 m<sup>2</sup>) maximum overall size. Minimum wand length is 33" (83.9 cm).

## Factory Deductions

| Mount   | Mount Bracket Location | Valance | Height Deduction G-71 inches (cm) | Height Deduction G-98 inches (cm) | Height Deduction G-85 inches (cm) |
|---------|------------------------|---------|-----------------------------------|-----------------------------------|-----------------------------------|
| Outside | All types              | Yes/no  | 0 (0.0)                           | 0 (0.0)                           | 0 (0.0)                           |
| Inside  | Ceiling or top         | No      | ¾ (1.6)                           | ½ (1.3)                           | ½ (1.3)                           |
| Inside  | Ceiling or top         | Yes     | ¾ (2.0)                           | ¾ (1.6)                           | ½ (1.3)                           |
| Inside  | Wall or back           | No      | 1⅞ (2.7)                          | ⅞ (2.3)                           | ⅞ (2.3)                           |
| Inside  | Wall or back           | Yes     | 1⅞ (2.9)                          | 1⅞ (2.9)                          | 1⅞ (2.9)                          |

| Mount   | Width Deductions |
|---------|------------------|
| Outside | 0 (0.0)          |
| Inside  | ¼ (0.7)          |



## Depth Requirements for Inside Mount

|                | Headrail Dimensions inches (cm)                  |  Minimum Depth Mount inches (cm) | Headrail Flush with Casing (vanes and/or valance not flush with casing) inches (cm) | Depth Needed for Flush Mount Vane inches (cm) |  Depth Needed for Flush Mount Vane inches (cm) |
|----------------|--|---|---|---|---|
| G-71 Super-Vue | 1⅜ x 1⅞ <sub>6</sub><br>(3.5 x 5.0)              | 2⅞ (6.1)  | 3 (7.7)   | 3¾ (9.6)                                      | 4⅞ (11.8)   |
| G-98 Ultra-Vue | 1⅞ x 1⅞ <sub>6</sub><br>(2.9 x 3.5)              | 2⅞ (6.1)  | 2⅞ (6.9)  | 3¾ (9.6)                                      | 4⅞ (11.8)   |
| G-85 Dura-Vue  | 1⅞ <sub>6</sub> x 1⅞ <sub>6</sub><br>(3.4 x 3.9) | 2⅞ (6.1)  | 2¾ (7.0)  | 3¾ (9.6)                                      | 4⅞ (11.8)   |

## Sheer Vertical Blinds

|                       | Width               |                     | Height              |                     |
|-----------------------|---------------------|---------------------|---------------------|---------------------|
|                       | Minimum inches (cm) | Maximum inches (cm) | Minimum inches (cm) | Maximum inches (cm) |
| Sheer Vertical Blinds | 17 (43.2)           | 191 (485.2)         | 19 (48.3)           | 104 (264.2)         |

## Depth Requirements for Inside Mount

|  Minimum Depth Partially Recessed Mount inches (cm) | Depth Needed for Flush Mount Headrail inches (cm) | Depth Needed for Flush Mount Vane inches (cm) | Depth Needed for Flush Mount Valance inches (cm) |  |
|--|---|---|--|---|
| 2⅞ (6.1)   | 3 (7.7)   | 5¼ (13.4)                                     | 6 (15.3)   |   |

**Partially Recessed:** A partially recessed window treatment is where the depth of the window casing is less than the space necessary for a flush mount.

**Flush Mount:** If the window casing is deep enough to mount the entire blind inside of it, this is called a flush mount.

# Options

## Summary

The following is a list of options for vertical and sheer vertical blinds. All options are available in all styles and colors. Limitations will be based on fabric width. See detailed descriptions on the following pages.

### Vertical Blinds

#### Control Type Options—No Charge

- Standard cord and chain controls
- One Touch® Control

#### Options—No Charge

- Bay and corner windows
- Paired blinds
- Projection bracket: 4 $\frac{3}{8}$ " (11.2 cm)

#### Options—Surcharge (see price charts for pricing and/or surcharges)

- Bottom chain and clips (fabric)
- Bottom chain (vinyl)
- Cut-outs
- Round-corner valance
- Double round-corner valance
- Square-corner valance
- Stay Clear™ channel panels
- Wood cornices and valances (see cornices and valances price list)

#### Specialty Options (see price charts for pricing and/or surcharges)

- Angled top
- Curved headrail

### Sheer Vertical Blinds

#### Control Type Options—No Charge

- Standard cord and chain controls

#### Options—No Charge

- Bay and corner windows
- Dauphine® valance
- Paired blinds

#### Options—Surcharge (see price charts for pricing and/or surcharges)

- Wood cornices and valances (see cornices and valances price list)
- Round-corner valance
- Double round-corner valance

# Options

## Vertical Blinds: Control Options



### Cord and Chain—Standard

- No charge
- Cord controls vane traverse
- Chain controls vane rotation

### One Touch® Wand Control

- No charge
- A slender wand controls vane rotation and traversing
- Simple, convenient, safe (no cords and chains)
- Recommended for homes with children or pets
- Available with single stack only; no split stack or opposite stack
- Wand is always attached to leading vane

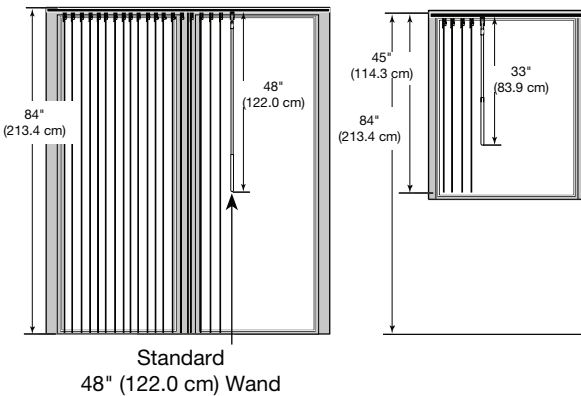
| Width  |                     | Height              |                     |
|--|---------------------|---------------------|---------------------|
| Minimum inches (cm)  | Maximum inches (cm) | Minimum inches (cm) | Maximum inches (cm) |
| 9 (22.9)   | 144 (365.8)         | 12 (30.5)*          | 96 (243.9)          |
| Maximum overall size: 10,080 square inches (6.5 m <sup>2</sup> ) (w x h) |                     |                     |                     |

### Wand Sizes

Keep in mind that the wand length is determined by the finished blind height. If the vertical blind covers a patio door or the bottom of the vertical blind reaches the floor, the following chart indicates wand length. If the headrail distance from the floor is greater than 77" (195.6 cm) or there is any furniture in front of the blind, specify a 48" (122.0 cm) or 60" (152.4 cm) wand for easy accessibility.

| Blind Height inches (cm)   | Wand Height inches (cm) |
|----------------------------|-------------------------|
| 77 (195.6) or less*        | 33 (83.9)               |
| 77½ to 92 (195.9 to 233.7) | 48 (122.0)              |
| 92½ to 96 (234.0 to 243.9) | 60 (152.4)              |

\*If blind is less than 35" (88.9 cm), wand will be longer than vanes. The standard cord and chain control is recommended.



## Sheer Vertical Blinds: Control Options



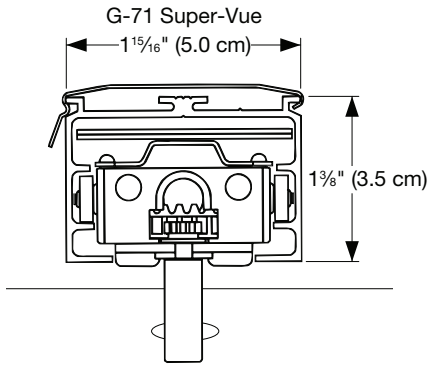
### Cord and Chain—Standard

- No charge
- Cord controls vane traverse
- Chain controls vane rotation



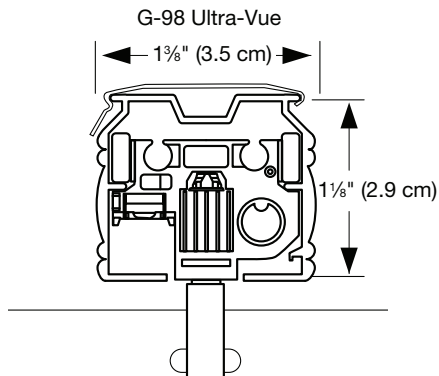
## Options

### Vertical Blinds: Headrail Systems



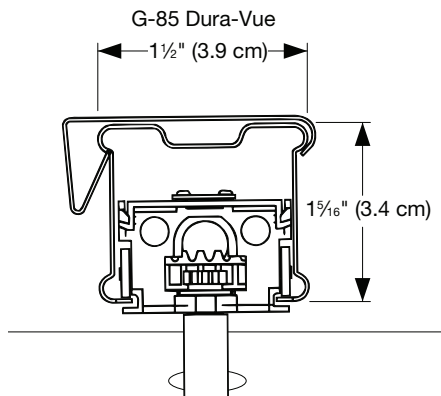
#### G-71 Super-Vue®

The top-of-the-line G-71 Super-Vue features the patented pantograph traversing system to assure proportional spacing of vanes when closed. G-71 Super-Vue is available in a smooth, anodized aluminum channel. Ball bearing pulleys in the control mechanism and thermoplastic self-lubricating wheels on every carriage allow for smooth traversing vanes. Clear stems provide a sleek appearance with both fabrics and vinyl vanes. E-Z Open™, available only on the G-71 headrail, automatically rotates the vanes when the cord is pulled to traverse the blind.



#### G-98 Ultra-Vue™

The anodized aluminum G-98 Ultra-Vue headrail system traverses vanes smoothly through the consecutive action of stainless steel pick-up tails. Ultra-Vue carriers are wheeled for smooth traversing and are self-aligning.



#### G-85 Dura-Vue®

G-85 Dura-Vue headrails traverse vanes smoothly with a thermoplastic strap system. Dura-Vue steel headrail is offered in an ivory painted finish. Dura-Vue carriers are wheeled for smooth traversing.

The design of all Graber® headrails allows for reversible installation, providing versatile placement of controls on either the left or right.

# Options

## Vertical Blinds and Sheer Vertical Blinds: Stacking Options



Split Stack  
Left Controls  
(right controls available)



Left Stack  
Same Side Stack  
and Controls



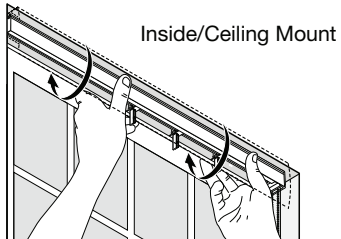
Right Stack  
Same Side Stack  
and Controls



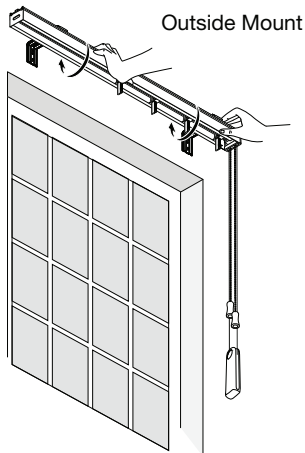
Opposite Stack  
and Controls

**VERTICALS ONLY:** There is a surcharge for center/uneven stack and opposite stack.  
Center/uneven stack available on G-71 Super-Vue® Headrails for blinds with vanes only.

## Vertical Blinds and Sheer Vertical Blinds: Installation Types



Inside/Ceiling Mount

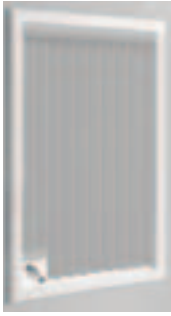


Outside Mount

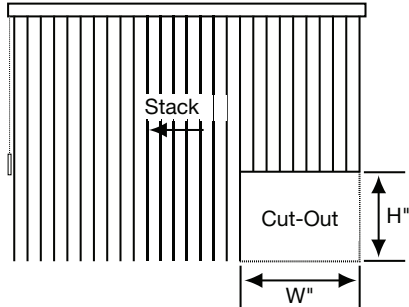
1. **Inside Mount—Ceiling or Top of Window Frame** (standard)  
Manufacturing height deduction is taken for blinds being installed as inside, ceiling mount with or without a valance.
2. **Inside Mount—Wall or Back of Window Frame**  
Manufacturing height deduction is taken for blinds being installed as inside mount using the L-bracket for a wall mount. An additional manufacturing height deduction is taken if a valance is included, to accommodate the height of the Dauphine® valance bracket.
3. **Outside Mount—Wall or Back** (standard)  
No manufacturing height deduction is taken.
4. **Outside Mount—Ceiling or Top** (optional)  
No manufacturing height deduction is taken.

# Options

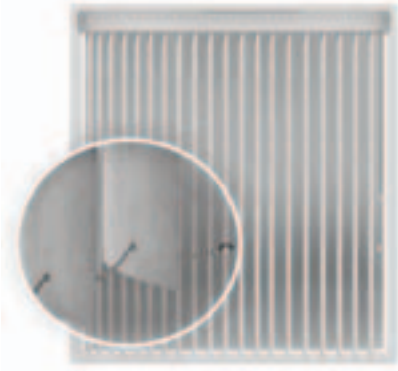
## Vertical Blinds: Cut-Out Blinds



- **For surcharges, see options pricing**
- Order when air conditioner, heating register, or other object would interfere with vanes
- Blind must stack away from cut-out area
- Specify size and base price by maximum width and height of blind
- Submit drawing to identify size and location of cut-out (see example)
- Minimum cut-out width 3½" (8.9 cm)
- Cut-out must be a full vane width (3½" (8.9 cm)); therefore may be wider than ordered
- Not available with bottom chain



## Vertical Blinds: Bottom Chain

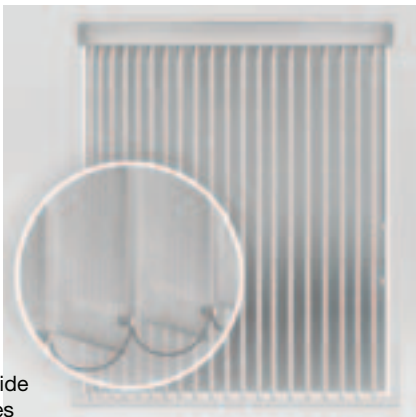


Bottom Chain  
Vinyl Vanes

Must be requested at time of order.

- **For surcharges, see options pricing**
- Optional, must be requested at time of order
- Not available with channel panel, S-shaped vanes, angle top, or cut-out blinds

| Vane Style    | Standard/Option | Description  |
|---------------|-----------------|--|
| Fabric        | Standard        | 3-sided sewn-in weight                                 |
|               | Option          | Single nickel-plated chain at back of vanes with clips |
| Vinyl         | Standard        | No bottom chain  |
|               | Option          | Single nickel-plated chain in the middle of the vanes  |
| Channel Panel | Standard        | No bottom weights or chain                             |

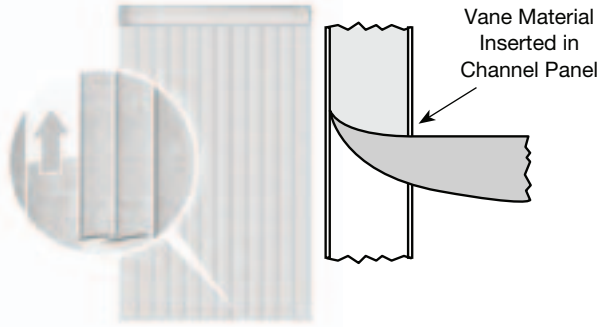


Back Side  
of Vanes  
Shown

Bottom Chain and Clip  
Fabric Vanes  
Free Hang Only.

## Options

### Vertical Blinds: Stay Clear™ Channel Panel for Fabric Vanes



- **See surcharge on price charts**
- Replacement channel panel pricing, see price chart B
- Vane material inserted into extruded channel panel with clear edges; see blind features for fabric styles available
- Offers improved privacy, room darkening, and a neutral color appearance from exterior of window
- Channel panel colors are: Ivory (#7137) or White (#7136)
- Not available with bottom chain

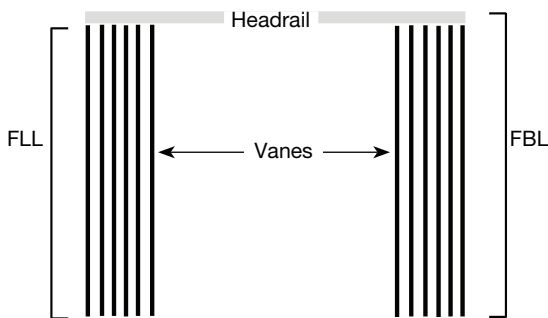
### Vertical Blinds and Sheer Vertical Blinds: Paired Blinds



- **Price as two separate blinds**
- The appearance of a split stack blind can be achieved by pairing blinds; the center opening point can be either on center or off center
- Paired blinds can also be used when the required width is larger than the maximum width available for a single blind
- Specify paired blinds on your order
- Control locations must be same as stack
- Recommend ordered as left/left and right/right
- Square-corner valance with dust cover only
- **Available with one-way cord and chain only**

### Vertical Blinds and Sheer Vertical Blinds: Replacement Vane Ordering

See the column at the far right of each price chart, for individual vane pricing based on material desired.



#### How to Price a Replacement Vane

- Use the price charts for individual vane pricing
- Determine which chart based on material desired
- Locate height of your vane on the left side of the chart
- Use the price on the right side of chart that coincides with the height of vane desired

#### How to Measure a Replacement Existing Vane, No Changes

- Measure the vane(s) from tip to tip to determine the exact finished vane length/height (FLL)
- No additional deductions will be taken by manufacturing; vanes will be manufactured to the exact size you provide
- Submit the measurement as exact height

#### How to Measure a Replacement Existing Vane, Changing the Height of the Vanes

- Measure from top of mounted headrail to bottom of location to be covered.
- Record this measurement; this is the finished blind length/height (FBL)
- Manufacturing will take appropriate deduction so vanes will cover desired area

**NOTE:** Free hang fabric vanes include bottom weights.

Bottom chains for vinyl vanes are optional; must be specified at time of order

## Options

### Sheer Vertical Blinds: Hem Style



- 4" (10.2 cm) drapery hem is standard

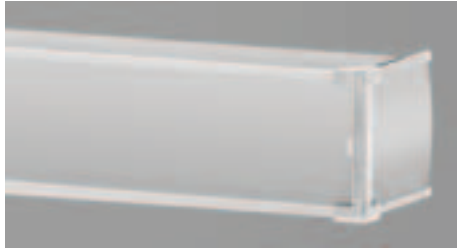
### Sheer Vertical Blinds: Cut Yardage



- **For pricing, see options pricing**
- Create matching soft window treatments, scarves, swags, or toppers
- All fabrics are available by the yard (1 yard (91.5 cm) minimum) and are 117" (297.2 cm) wide
- Cut yardage fabric may not be an exact match due to dye lot variations
- Cut yardage fabric may need to be ironed when received using low temperature setting
- Cut yardage is provided as is; there is no warranty regarding suitability in desired application; not recommended for upholstery; edges are not finished

# Options

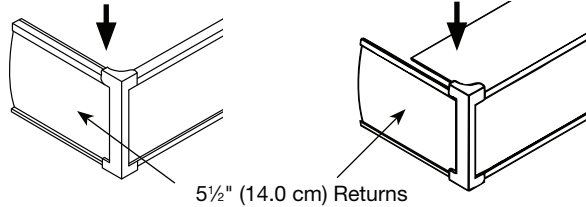
## Vertical Blinds: Square-Corner Valance



- **For surcharge, see price charts**
- The square-corner valance is an extruded vinyl, Stay-Clear™ channel panel, which is sized to hold 3½" (8.9 cm) wide vane material; it includes two 5½" (14.0 cm) returns
- Valances greater than 192" (487.7 cm) must have a dust cover

Square-Corner Valance without Dust Cover

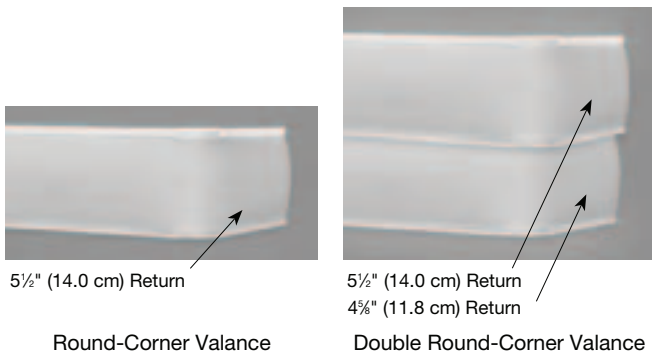
Square-Corner Valance with Dust Cover



### Maximum Valance Size Limitations

|                       | Valance                   |                            | Returns             |                     |
|-----------------------|---------------------------|----------------------------|---------------------|---------------------|
|                       | Maximum Vinyl inches (cm) | Maximum Fabric inches (cm) | Minimum inches (cm) | Maximum inches (cm) |
| Square-Corner Valance | 191 (485.2)               | 191 (485.2)                | 3 (7.7)             | 8 (20.4)            |

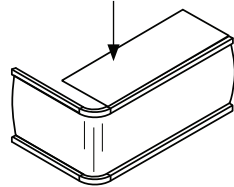
## Vertical Blinds and Sheer Vertical Blinds: Round-Corner and Double Round-Corner Valances



### Outside Mount Only

- **For surcharge, see price charts**
- The round-corner valance system features the Stay-Clear channel panel and is guaranteed not to yellow; accommodates vinyl and fabric vanes as inserts; S-shaped style vanes use matching crown profile for valance insert
- Create a layered look with a double round-corner valance
- Round and double round-corner valances include 5½" (14.0 cm) returns
- Single round-corner valance = 3¾" (9.6 cm) high
- Double round-corner valance = 6½" (16.6 cm) high

Round-Corner Valance with Dust Cover



### Maximum Valance Size Limitations

|                             | Valance                   |                            | Returns             |                     |
|-----------------------------|---------------------------|----------------------------|---------------------|---------------------|
|                             | Maximum Vinyl inches (cm) | Maximum Fabric inches (cm) | Minimum inches (cm) | Maximum inches (cm) |
| Round-Corner Valance        | 175 (444.5)               | 191 (485.2)                | 3 (7.7)             | 8 (20.4)            |
| Double Round-Corner Valance | 175 (444.5)               | 191 (485.2)                | 3 (7.7)             | 8 (20.4)            |

## Sheer Vertical Blinds: Dauphine® Valance



- **No charge**
- Fabric is Shirred for a soft look
- Snap-in brackets for easy installation
- Threader cap provides no-snag shirring of sheer fabric
- Notched for minimum 2½" (6.4 cm) returns and will extend to 7½" (19.1 cm) using the additional return slides which are included

**NOTE:** Top hem of blind will be visible below the Dauphine valance. Also available are wood cornices and valances; see cornice and valance price list for more information.

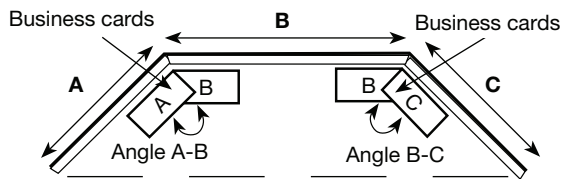
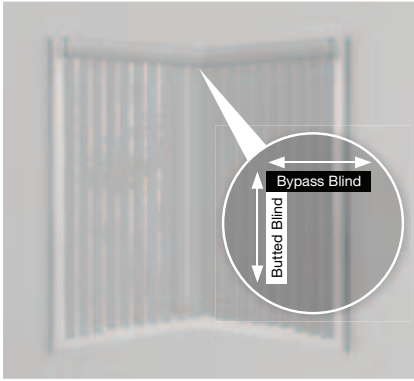
# Options

## Vertical Blinds and Sheer Vertical Blinds: Bay and Corner Windows

- No charge
- Minimal corner gaps
- Square-corner valance with dust cover only
- Chain and cord only

- Each blind is controlled separately
- List each track width and height on separate lines
- Price as separate blinds
- If no deductions are required, do not order as bay or corner

### Measuring Information



### Corner Window

Measure: Width of each window from corner to the point you would like to cover.

### Three-Sided Bay Window

Measure:

- A and C: Width of side windows from the corners to the point you would like the blind to cover.
- B: Width of the center window from corner to corner.
- Angle A-B: Angle between windows (A) and (B).
- Angle B-C: Angle between windows (B) and (C).

Measure bay angle using protractor or angle finder. Or use two business cards in bay corner as illustrated and fax to customer service.

### Four-Sided Bay Window

Measure:

- A and D: Width of side windows from the corners to the point you would like the blind to cover.
- B and C: Width of each window from corner to corner.
- Angle A-B: Angle between windows (A) and (B).
- Angle B-C: Angle between windows (B) and (C).
- Angle C-D: Angle between windows (C) and (D).

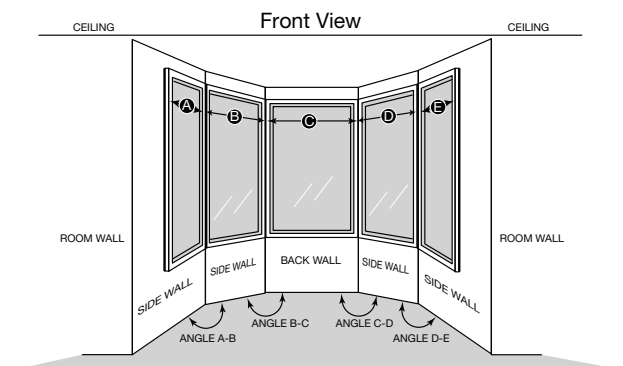
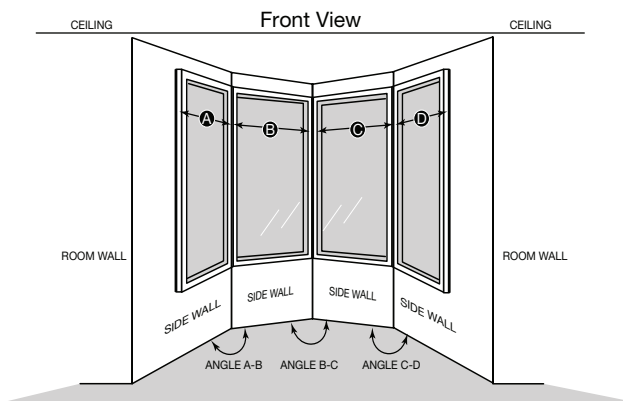
Measure bay angle using protractor or angle finder. Or use two business cards in bay corner as illustrated and fax to customer service.

### Five-Sided Bay Window

Measure:

- A and E: Width of side windows from the corners to the point you would like the blind to cover.
- B, C and D: Width of each center window from corner to corner.
- Angle A-B: Angle between windows (A) and (B).
- Angle B-C: Angle between windows (B) and (C).
- Angle C-D: Angle between windows (C) and (D).
- Angle D-E: Angle between windows (D) and (E).

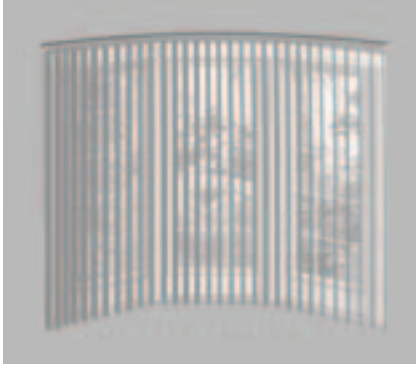
Measure bay angle using protractor or angle finder. Or use two business cards as illustrated and fax to customer service.



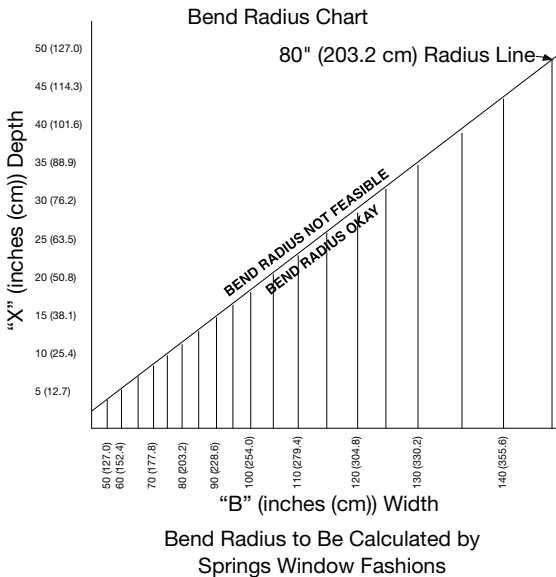


# Options

## Vertical Blinds: Specialty Shapes: Curved Headrail Blinds



- For surcharges, see options pricing
- Minimum width 48" (122.0 cm) exact
- Maximum width 168" (426.8 cm)
- See chart for feasibility
- **NOT available with a valance and cornice**
- **One Touch® Control not available**



### Curved Headrail Bend Radius Chart

Headrail cannot be bent to a radius tighter than 80" (203.2 cm).

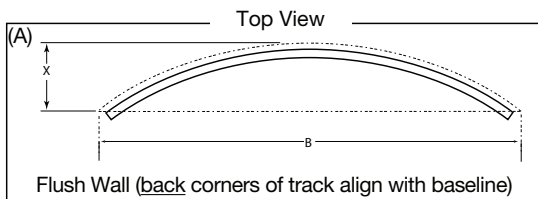
#### To check your application for bend radius:

1. Determine preferred application—A, B, or C (below).
2. Measure (B) and (X) for your application (diagrams below).
3. On the Bend Radius Chart, draw a line up from your (B) dimension and over from your (X) dimension.
4. If your two lines intersect below the 80" (203.2 cm) radius line, application is okay.  
If lines intersect above the 80" (203.2 cm) radius line, application is not feasible.
5. **Factory will make allowance for vane clearance.**

**NOTE:** Depending on bend, separate tracks may be recommended by factory.

## Curved Headrail Measuring Guide

See appropriate window drawing. To ensure a proper fit, fax a diagram to customer service.

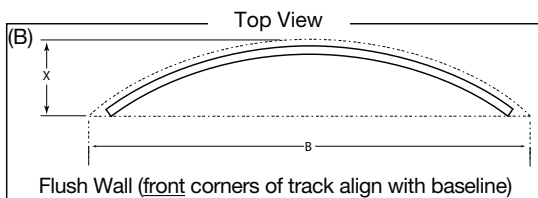


#### Factory will make allowance for vane clearance.

Measurements should be taken from wall to wall or window to window.

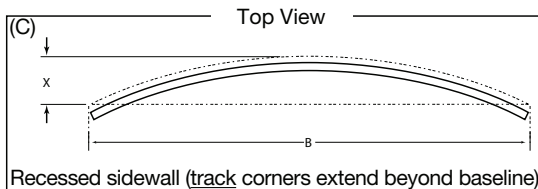
#### Standard Application (A)

Measure exact window baseline (B) and depth (X). Factory will make deduction for vane clearance. Diagram shows back corner of track sitting on the baseline. **This minimizes light gaps at ends of tracks.**



#### Optional Application (B)

Measure exact window baseline (B) and depth (X). Indicate that front corners of headrail should be flush with baseline. Factory will make appropriate deductions. Diagram shows front corners of track sitting on the baseline. **This application could leave light gaps at end of track giving visibility to outside.**



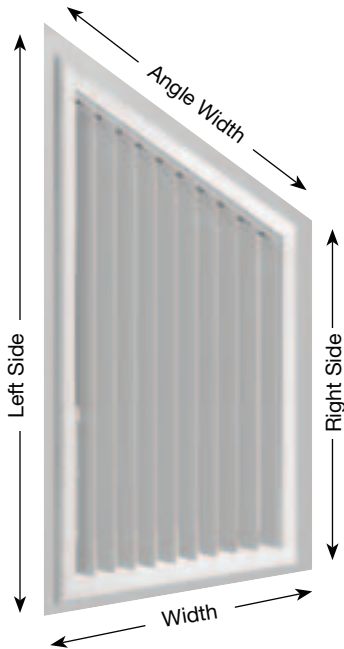
#### Optional Application (C)

Measure exact window baseline (B) and depth (X). Also indicate recessed wall measurement. Factory will take deductions for vane clearance. Diagram shows track extending beyond the baseline. **This will help cover the side walls to minimize any light gap.**



## Options

### Vertical Blinds: Specialty Shapes: Angled Window Headrail



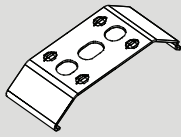

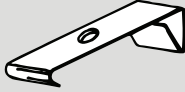
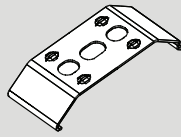
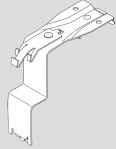
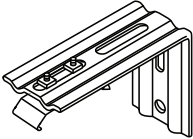
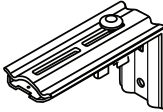
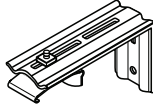
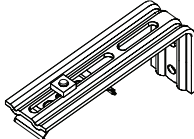
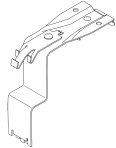
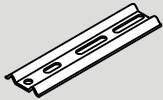
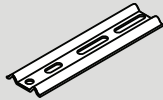
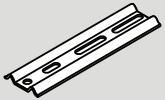
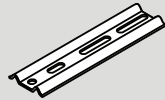
- **For surcharges, see options pricing**
- Ideal for sloping, cathedral-type windows
- Only available in single stack cord control vertical blinds
- Vane stack and cord control must be at the highest point of the window
- Exact dimensions must accompany orders to ensure proper fit
- Steepest slope possible is 55°
- Maximum size: 144" wide x 144" long (365.8 cm x 365.8 cm), depending on angle
- Minimum low end is 6" (15.3 cm)
- Available on G71 Super-View® headrail only
- Square-corner valance with dust cover only; must be mitered at time of installation
- E-Z Open™ standard—no charge
- Bottom chains are not available

#### Measuring Outside Mount

1. Measure exact width and height of area to be covered.  
It is recommended that shades overlap window frame or opening by 1½" (3.9 cm) on each side.
2. Measure height of opening on left side and mark this dimension "left". Allow for overlap as desired: 1½" (3.9 cm) on top and bottom is recommended.
3. Measure height of opening on right side and mark this dimension "right". Allow for the same overlap as left side.
4. Factory will determine the angle from these three dimensions.

## General Information

### Vertical Blinds and Sheer Vertical Blinds: Installation Hardware

|   | G-71  | G-98  | G-85   | Sheer Vertical Blinds   |  |
|---|---|---|--|---|--|
| Track Clip for Inside or Ceiling Mount  |  |  |  |  | Dauphine® Valance Bracket<br> |
| L-Bracket for Outside or Wall Mount   |  |  |  |  | Dauphine Valance Bracket<br>  |
| Optional Flat Projection Bracket<br><b>(NOTE:</b> Attaches to angle bracket with nut/bolt pairs. Must be requested at time of order.) |  |  |  |  |  |

### Vertical Blinds and Sheer Vertical Blinds: Number of Mounting Brackets

**Sheer Vertical Blinds:** Number of headrail and Dauphine® valance mounting brackets

| Blind Width<br>inches (cm) | 17 to 54<br>(43.2 to 137.2) | 54 <sup>1</sup> / <sub>16</sub> to 81<br>(137.4 to 205.8) | 81 <sup>1</sup> / <sub>16</sub> to 108<br>(205.9 to 274.4) | 108 <sup>1</sup> / <sub>16</sub> to 135<br>(274.5 to 342.9) | 135 <sup>1</sup> / <sub>16</sub> to 162<br>(343.1 to 411.5) | 162 <sup>1</sup> / <sub>16</sub> to 191<br>(411.7 to 485.2) |
|----------------------------|-----------------------------|---|--|---|---|---|
| Number of Brackets         | 2                           | 3   | 4  | 5   | 6   | 7   |

#### G-98 Headrail

| Blind Width<br>inches (cm) | 9 to 50<br>(22.9 to 127.0) | 50 to 90<br>(127.0 to 228.6) | 91 to 130<br>(231.2 to 330.2) | 131 to 170<br>(332.8 to 431.8) | 171 to 191<br>(434.4 to 485.2) |
|----------------------------|----------------------------|------------------------------|-------------------------------|--------------------------------|--------------------------------|
| Number of Brackets         | 2                          | 3                            | 4                             | 5                              | 6                              |

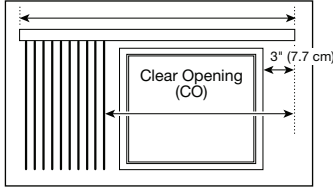
#### G-71 and G-85 Headrail

| Blind Width<br>inches (cm) | 9 to 62<br>(22.9 to 157.5) | 63 to 98<br>(160.1 to 249.0) | 99 to 134<br>(251.5 to 340.4) | 135 to 170<br>(342.9 to 431.8) | 171 to 191<br>(434.4 to 485.2) |
|----------------------------|----------------------------|------------------------------|-------------------------------|--------------------------------|--------------------------------|
| Number of Brackets         | 2                          | 3                            | 4                             | 5                              | 6                              |

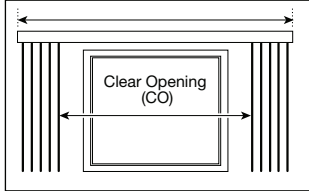
# General Information

## Vertical Blinds and Sheer Vertical Blinds: Clear Opening: How to Measure for Uncovered Window

Stack Left Finished Blind Width (FBW)



Split Stack  
(recommended for  
balanced appearance)  
Finished Blind Width (FBW)



1. Determine headrail type and the clear opening width for split stack, stack right or stack left (see diagrams)—the additional 3" (7.7 cm) shown for privacy is recommended if ordering a right or left stack.
2. Match the clear opening width with dimension found under "CO" column below. For even spacing, round up width measurement to the next size in the stack chart. Split stack will have even number of vanes.
3. Order the corresponding dimension found in the "FBW" (finished blind width) column below.

**EXAMPLE:** Stack Left

If determined width for clear opening window view is 54¼" (137.8 cm), order width needed to provide full unobstructed view is 66¾" (169.6 cm).

**NOTE:** For stack right or stack left blinds add an additional 3" (7.7 cm) to the clear opening before calculating the finished blind width.  
For G-98 Ultra-Vue™ and G-85 Dura-Vue® headrails, and One Touch® Control, see appropriate stacking charts for single stack blinds only on the following pages.

## Vertical Blinds: Vane Stacking Chart: G-71 Super-Vue® 3½" (8.9 cm)

| Number of Vanes | Single Stack   |                 | Split Stack    |                 |
|-----------------|----------------|-----------------|----------------|-----------------|
|                 | CO inches (cm) | FBW inches (cm) | CO inches (cm) | FBW inches (cm) |
| 3               | 6⅞ (17.5)      | 10⅞ (25.8)      |                |                 |
| 4               | 9½ (24.2)      | 13¼ (33.7)      | 7¼ (18.5)      | 12½ (31.8)      |
| 5               | 12⅞ (30.8)     | 16⅞ (41.6)      |                |                 |
| 6               | 14⅞ (37.8)     | 19⅞ (49.9)      | 12½ (31.8)     | 18¼ (47.7)      |
| 7               | 17½ (44.5)     | 22¼ (57.8)      |                |                 |
| 8               | 20⅞ (51.2)     | 25⅞ (65.8)      | 17⅞ (45.5)     | 25⅞ (63.9)      |
| 9               | 22¼ (57.8)     | 29 (73.7)       |                |                 |
| 10              | 25⅞ (64.5)     | 32⅞ (81.6)      | 23¼ (59.1)     | 31⅞ (79.7)      |
| 11              | 28⅞ (71.5)     | 35⅞ (89.9)      |                |                 |
| 12              | 30¼ (78.2)     | 38⅞ (97.8)      | 28½ (72.4)     | 37¼ (95.9)      |
| 13              | 33⅞ (84.8)     | 41⅞ (105.8)     |                |                 |
| 14              | 36⅞ (91.8)     | 44¼ (113.7)     | 33¼ (85.8)     | 44 (111.8)      |
| 15              | 38¼ (98.5)     | 47⅞ (121.7)     |                |                 |
| 16              | 41⅞ (105.1)    | 51 (129.6)      | 39⅞ (99.4)     | 50¼ (127.7)     |
| 17              | 44 (111.8)     | 54¼ (137.8)     |                |                 |
| 18              | 46⅞ (118.5)    | 57⅞ (145.8)     | 44½ (113.1)    | 56⅞ (143.9)     |
| 19              | 49⅞ (125.5)    | 60⅞ (153.7)     |                |                 |
| 20              | 52 (132.1)     | 63⅞ (161.7)     | 49¼ (126.4)    | 62⅞ (159.8)     |
| 21              | 54¼ (138.8)    | 66¼ (169.6)     |                |                 |
| 22              | 57⅞ (145.8)    | 70 (177.8)      | 55 (139.7)     | 69⅞ (175.6)     |
| 23              | 60 (152.4)     | 73⅞ (185.8)     |                |                 |
| 24              | 62⅞ (159.1)    | 76¼ (193.7)     | 60⅞ (153.4)    | 75½ (191.8)     |
| 25              | 65¼ (165.8)    | 79⅞ (201.7)     |                |                 |
| 26              | 67⅞ (172.5)    | 82½ (209.6)     | 65¼ (167.1)    | 81¼ (207.7)     |
| 27              | 70⅞ (179.4)    | 85⅞ (217.9)     |                |                 |
| 28              | 73¼ (186.1)    | 88⅞ (225.8)     | 71 (180.4)     | 88 (223.6)      |
| 29              | 75⅞ (192.8)    | 92 (233.7)      |                |                 |
| 30              | 78⅞ (199.8)    | 95⅞ (241.7)     | 76¼ (193.7)    | 94⅞ (239.8)     |
| 31              | 81¼ (206.4)    | 98¼ (249.6)     |                |                 |

| Number of Vanes | Single Stack   |                 | Split Stack    |                 |
|-----------------|----------------|-----------------|----------------|-----------------|
|                 | CO inches (cm) | FBW inches (cm) | CO inches (cm) | FBW inches (cm) |
| 32              | 83⅞ (213.1)    | 101⅞ (257.5)    | 81½ (207.1)    | 100⅞ (255.6)    |
| 33              | 86½ (219.8)    | 104⅞ (265.8)    |                |                 |
| 34              | 89⅞ (226.4)    | 107¼ (273.7)    | 86⅞ (220.7)    | 107 (271.8)     |
| 35              | 91¼ (233.1)    | 110⅞ (281.7)    |                |                 |
| 36              | 94⅞ (240.1)    | 114 (289.6)     | 92⅞ (234.0)    | 113¼ (287.7)    |
| 37              | 97⅞ (246.7)    | 117⅞ (297.5)    |                |                 |
| 38              | 99¼ (253.4)    | 120⅞ (305.8)    | 97⅞ (247.4)    | 119½ (303.6)    |
| 39              | 120⅞ (260.1)   | 123¼ (313.7)    |                |                 |
| 40              | 105⅞ (267.1)   | 126⅞ (321.7)    | 102¼ (261.0)   | 125⅞ (319.8)    |
| 41              | 107¼ (273.7)   | 129⅞ (329.6)    |                |                 |
| 42              | 110⅞ (280.4)   | 132⅞ (337.6)    | 108⅞ (274.7)   | 132⅞ (335.6)    |
| 43              | 113 (287.1)    | 136 (345.5)     |                |                 |
| 44              | 115¼ (294.1)   | 139¼ (353.7)    | 113⅞ (288.0)   | 138⅞ (351.5)    |
| 45              | 118⅞ (300.7)   | 142⅞ (361.7)    |                |                 |
| 46              | 121 (307.4)    | 145⅞ (369.6)    | 118⅞ (301.4)   | 144¼ (367.7)    |
| 47              | 123⅞ (314.1)   | 148⅞ (377.6)    |                |                 |
| 48              | 126⅞ (321.0)   | 151⅞ (385.5)    | 124 (315.0)    | 151 (383.6)     |
| 49              | 129 (327.7)    | 155 (393.7)     |                |                 |
| 50              | 131⅞ (334.4)   | 158⅞ (401.7)    | 129¼ (328.3)   | 157¼ (399.5)    |
| 51              | 134¼ (341.0)   | 161¼ (409.6)    |                |                 |
| 52              | 137 (348.0)    | 164⅞ (417.6)    | 134⅞ (342.0)   | 163⅞ (415.7)    |
| 53              | 139⅞ (354.7)   | 167⅞ (425.5)    |                |                 |
| 54              | 142¼ (361.4)   | 170⅞ (433.4)    | 139⅞ (355.3)   | 169⅞ (431.5)    |
| 55              | 144⅞ (368.0)   | 173⅞ (441.7)    |                |                 |
| 56              | 147⅞ (375.0)   | 177 (449.6)     | 145¼ (369.0)   | 176¼ (447.7)    |
| 57              | 150¼ (381.7)   | 180⅞ (457.6)    |                |                 |
| 58              | 152⅞ (388.4)   | 183¼ (465.5)    | 150⅞ (382.3)   | 182½ (463.6)    |
| 59              | 155⅞ (395.0)   | 186⅞ (473.4)    |                |                 |
| 60              | 158¼ (402.0)   | 189⅞ (481.7)    | 155⅞ (396.0)   | 188¼ (479.5)    |
| 61              | 159⅞ (404.2)   | 191 (485.2)     |                |                 |
| 62              |                |                 | 157 (398.8)    | 191 (485.2)     |

FBW = Finished Blind Width  
CO = Clear Opening  
Stack = FBW - CO

For even spacing on outside mounts, round up width measurement to the next size in the stack chart. Split stack blinds must have an even number of vanes.

## General Information

**Vertical Blinds: Vane Stacking Chart:  
G-98 Ultra-Vue™ 3½" (8.9 cm)**

| Number of Vanes | Single Stack   |                 | Split Stack    |                 |
|-----------------|----------------|-----------------|----------------|-----------------|
|                 | CO inches (cm) | FBW inches (cm) | CO inches (cm) | FBW inches (cm) |
| 3               | 7¼ (18.5)      | 10¼ (26.1)      |                |                 |
| 4               | 10 (25.4)      | 13¾ (34.0)      | 8½ (21.6)      | 13½ (34.3)      |
| 5               | 12¾ (32.8)     | 16½ (42.0)      |                |                 |
| 6               | 15¼ (39.4)     | 19 ⅝ (49.9)     | 14 (35.6)      | 19¼ (50.2)      |
| 7               | 18¾ (46.7)     | 22¼ (57.8)      |                |                 |
| 8               | 21¼ (53.7)     | 25¼ (65.8)      | 19½ (49.6)     | 26 (66.1)       |
| 9               | 23 ⅝ (60.7)    | 29 (73.7)       |                |                 |
| 10              | 26¼ (68.0)     | 32½ (81.6)      | 25¼ (63.9)     | 32¼ (82.0)      |
| 11              | 29¼ (74.7)     | 35¼ (89.3)      |                |                 |
| 12              | 32¼ (82.0)     | 38¼ (97.2)      | 30¼ (77.8)     | 38¼ (97.5)      |
| 13              | 35 (88.9)      | 41¼ (105.1)     |                |                 |
| 14              | 37¼ (95.9)     | 44¼ (113.1)     | 36¼ (92.1)     | 44¼ (113.4)     |
| 15              | 40½ (102.9)    | 47¼ (121.0)     |                |                 |
| 16              | 43¾ (110.2)    | 50¼ (129.0)     | 41¼ (106.1)    | 50¼ (129.3)     |
| 17              | 46¼ (117.2)    | 53¼ (136.9)     |                |                 |
| 18              | 48¾ (124.2)    | 57 (144.8)      | 47¼ (120.4)    | 57¼ (145.1)     |
| 19              | 51¼ (131.2)    | 60 (152.4)      |                |                 |
| 20              | 54¼ (138.2)    | 63¼ (160.4)     | 52¼ (134.4)    | 63¼ (160.7)     |
| 21              | 57¼ (145.5)    | 66¼ (168.3)     |                |                 |
| 22              | 60 (152.4)     | 69¼ (176.3)     | 58¼ (148.3)    | 69½ (176.6)     |
| 23              | 62¾ (159.4)    | 72½ (184.2)     |                |                 |
| 24              | 65¼ (166.4)    | 75¼ (192.1)     | 64 (162.6)     | 75¼ (192.5)     |
| 25              | 68¼ (173.4)    | 78¼ (200.1)     |                |                 |
| 26              | 71¼ (180.7)    | 80¼ (205.5)     | 69½ (176.6)    | 82 (208.3)      |
| 27              | 73¼ (187.7)    | 85 (215.9)      |                |                 |
| 28              | 76¼ (194.7)    | 88 (223.6)      | 75 (190.5)     | 88¼ (223.9)     |
| 29              | 79¼ (201.7)    | 91¼ (231.5)     |                |                 |
| 30              | 82¼ (209.0)    | 94¼ (239.4)     | 80¼ (204.8)    | 94¼ (239.8)     |
| 31              | 85 (215.9)     | 97¼ (247.4)     |                |                 |
| 32              | 87¼ (222.9)    | 100¼ (255.3)    | 86¼ (218.8)    | 100¼ (255.6)    |
| 33              | 90¼ (229.9)    | 103¼ (263.3)    |                |                 |
| 34              | 93¼ (238.2)    | 106¼ (271.2)    | 91¼ (233.1)    | 106¼ (271.5)    |
| 35              | 96¼ (244.2)    | 109¼ (279.1)    |                |                 |
| 36              | 98¼ (250.9)    | 112¼ (286.8)    | 97¼ (247.1)    | 113 (287.1)     |
| 37              | 101¼ (258.2)   | 116 (294.7)     |                |                 |
| 38              | 104¼ (265.2)   | 119¼ (302.6)    | 102¼ (261.4)   | 119¼ (302.9)    |
| 39              | 107¼ (272.1)   | 122¼ (310.6)    |                |                 |
| 40              | 109¼ (279.1)   | 125¼ (318.5)    | 108¼ (275.3)   | 125¼ (318.8)    |
| 41              | 112¼ (286.4)   | 128¼ (326.4)    |                |                 |
| 42              | 112¼ (293.4)   | 131 ⅝ (334.4)   | 113¼ (289.3)   | 131¼ (334.7)    |
| 43              | 118¼ (300.4)   | 134¼ (342.3)    |                |                 |
| 44              | 121¼ (307.7)   | 137¼ (350.3)    | 119¼ (303.6)   | 138 (350.6)     |
| 45              | 123¼ (314.4)   | 140¼ (357.9)    |                |                 |
| 46              | 126¼ (321.7)   | 144 (365.8)     | 125 (317.5)    | 144¼ (366.1)    |
| 47              | 129¼ (328.7)   | 147¼ (373.7)    |                |                 |
| 48              | 132¼ (335.6)   | 150¼ (381.7)    | 130¼ (331.8)   | 150¼ (382.0)    |
| 49              | 134¼ (342.6)   | 153¼ (389.6)    |                |                 |
| 50              | 137¼ (349.6)   | 156¼ (397.6)    | 136¼ (345.8)   | 156¼ (397.9)    |
| 51              | 140¼ (356.9)   | 159¼ (405.5)    |                |                 |
| 52              | 143¼ (363.9)   | 162¼ (413.4)    | 141¼ (360.1)   | 162¼ (413.8)    |
| 53              | 146 (370.9)    | 165¼ (421.1)    |                |                 |
| 54              | 148¼ (377.9)   | 168¼ (429.0)    | 147¼ (374.1)   | 169 (429.3)     |
| 55              | 151¼ (385.2)   | 172 (436.9)     |                |                 |
| 56              | 154¼ (392.2)   | 175¼ (444.9)    | 152¼ (388.0)   | 175¼ (445.2)    |
| 57              | 157¼ (399.1)   | 178¼ (452.8)    |                |                 |
| 58              | 159¼ (406.1)   | 181¼ (460.7)    | 158¼ (402.0)   | 181¼ (461.1)    |
| 59              | 162¼ (413.1)   | 184¼ (468.7)    |                |                 |
| 60              | 165¼ (420.4)   | 187¼ (476.6)    | 163¼ (416.3)   | 187¼ (476.9)    |
| 61              | 168¼ (427.1)   | 190¼ (484.2)    |                |                 |
| 62              | 168¼ (427.1)   | 191 (485.2)     | 166¼ (423.0)   | 191 (485.2)     |

**Vertical Blinds: Vane Stacking Chart:  
G-85 Dura-Vue® 3½" (8.9 cm)**

| Number of Vanes | Single Stack   |                 | Split Stack    |                 |
|-----------------|----------------|-----------------|----------------|-----------------|
|                 | CO inches (cm) | FBW inches (cm) | CO inches (cm) | FBW inches (cm) |
| 3               | 6¾ (17.5)      | 10¼ (25.8)      |                |                 |
| 4               | 9½ (24.2)      | 13¼ (33.7)      | 7¼ (18.5)      | 12½ (31.8)      |
| 5               | 12¼ (30.8)     | 16¼ (41.6)      |                |                 |
| 6               | 14¼ (37.5)     | 19¼ (49.6)      | 12½ (31.8)     | 18¼ (47.7)      |
| 7               | 17¼ (44.2)     | 22¼ (57.5)      |                |                 |
| 8               | 20 (50.8)      | 25¼ (65.5)      | 17¼ (45.1)     | 25 (63.5)       |
| 9               | 22¼ (57.8)     | 28¼ (73.4)      |                |                 |
| 10              | 25¼ (64.5)     | 32 (81.3)       | 23 (58.5)      | 31¼ (79.4)      |
| 11              | 28 (71.2)      | 35 ⅝ (89.3)     |                |                 |
| 12              | 30¼ (77.8)     | 38 ¼ (97.2)     | 28¼ (72.1)     | 37¼ (95.3)      |
| 13              | 33¼ (84.5)     | 41¼ (105.1)     |                |                 |
| 14              | 35¼ (91.2)     | 44¼ (113.1)     | 33¼ (85.5)     | 43¼ (111.2)     |
| 15              | 38¼ (97.8)     | 47¼ (121.0)     |                |                 |
| 16              | 41¼ (104.5)    | 50 ¼ (129.0)    | 38¼ (98.8)     | 50 (127.0)      |
| 17              | 43¼ (111.2)    | 53¼ (136.9)     |                |                 |
| 18              | 46¼ (117.8)    | 57 (144.8)      | 44¼ (112.1)    | 56¼ (142.9)     |
| 19              | 49 (124.5)     | 60¼ (152.8)     |                |                 |
| 20              | 51¼ (131.2)    | 63¼ (160.7)     | 49¼ (125.5)    | 62¼ (158.8)     |
| 21              | 54¼ (138.2)    | 66¼ (168.6)     |                |                 |
| 22              | 57 (144.8)     | 69¼ (176.6)     | 54¼ (138.8)    | 68¼ (174.7)     |
| 23              | 59¼ (151.5)    | 72¼ (184.5)     |                |                 |
| 24              | 62¼ (158.2)    | 75¼ (192.5)     | 60 (152.4)     | 75 (190.5)      |
| 25              | 64¼ (164.8)    | 78¼ (200.4)     |                |                 |
| 26              | 67¼ (171.5)    | 82 (208.3)      | 65¼ (165.8)    | 81¼ (206.4)     |
| 27              | 70¼ (178.2)    | 85¼ (216.3)     |                |                 |
| 28              | 72¼ (184.8)    | 88¼ (224.2)     | 70¼ (179.1)    | 87¼ (222.3)     |
| 29              | 75¼ (191.5)    | 91¼ (232.1)     |                |                 |
| 30              | 78 (198.2)     | 94¼ (240.1)     | 75¼ (192.5)    | 93¼ (238.2)     |
| 31              | 80¼ (204.8)    | 97¼ (248.0)     |                |                 |
| 32              | 83¼ (211.5)    | 100¼ (256.0)    | 81 (205.8)     | 100 (254.0)     |
| 33              | 85¼ (218.2)    | 103¼ (263.9)    |                |                 |
| 34              | 88¼ (224.8)    | 107 (271.8)     | 86¼ (219.1)    | 106 ¼ (269.9)   |
| 35              | 91¼ (231.5)    | 110¼ (279.8)    |                |                 |
| 36              | 93¼ (238.5)    | 113¼ (287.7)    | 91¼ (232.5)    | 112¼ (285.8)    |
| 37              | 96¼ (245.2)    | 116¼ (295.6)    |                |                 |
| 38              | 99¼ (251.8)    | 119¼ (303.6)    | 96¼ (245.8)    | 118¼ (301.7)    |
| 39              | 101¼ (258.5)   | 122¼ (311.5)    |                |                 |
| 40              | 104¼ (265.2)   | 125¼ (319.5)    | 102 (259.1)    | 125 (317.5)     |
| 41              | 107 (271.8)    | 128¼ (327.4)    |                |                 |
| 42              | 109¼ (278.5)   | 132 (335.3)     | 107¼ (272.8)   | 131¼ (333.4)    |
| 43              | 112¼ (285.2)   | 135¼ (343.3)    |                |                 |
| 44              | 114¼ (291.8)   | 138¼ (351.2)    | 112¼ (286.1)   | 137¼ (349.3)    |
| 45              | 117¼ (298.5)   | 141¼ (359.1)    |                |                 |
| 46              | 120¼ (305.2)   | 144¼ (367.1)    | 117¼ (299.5)   | 143¼ (365.2)    |
| 47              | 122¼ (311.8)   | 147¼ (375.0)    |                |                 |
| 48              | 125¼ (318.8)   | 150¼ (383.0)    | 123¼ (312.8)   | 150 (381.0)     |
| 49              | 128¼ (325.5)   | 153¼ (390.9)    |                |                 |
| 50              | 130¼ (332.2)   | 157 (398.8)     | 128¼ (326.1)   | 156¼ (396.9)    |
| 51              | 133¼ (338.8)   | 160¼ (406.8)    |                |                 |
| 52              | 136 (345.5)    | 163¼ (414.7)    | 133¼ (339.5)   | 162¼ (412.8)    |
| 53              | 138¼ (352.2)   | 166¼ (422.6)    |                |                 |
| 54              | 141¼ (358.8)   | 169¼ (430.6)    | 139 (353.1)    | 168¼ (428.7)    |
| 55              | 143¼ (365.5)   | 172¼ (438.5)    |                |                 |
| 56              | 146¼ (372.2)   | 175¼ (446.5)    | 144¼ (366.4)   | 175 (444.5)     |
| 57              | 149¼ (378.8)   | 178¼ (454.4)    |                |                 |
| 58              | 151¼ (385.5)   | 182 (462.3)     | 149¼ (379.8)   | 181¼ (460.4)    |
| 59              | 154¼ (392.2)   | 185¼ (470.3)    |                |                 |
| 60              | 157 (398.8)    | 188¼ (478.2)    | 154¼ (393.1)   | 187¼ (476.3)    |
| 61              | 159¼ (404.9)   | 191 (485.2)     |                |                 |
| 62              |                |                 | 157¼ (399.5)   | 191 (485.2)     |

FBW = Finished Blind Width  
CO = Clear Opening  
Stack = FBW - CO

# General Information

## Vertical Blinds: Vane Stacking Chart: One Touch® Control (all headrail styles)

| G-71 Super-Vue® |                |                 |
|-----------------|----------------|-----------------|
| Number of Vanes | Single Stack   |                 |
|                 | CO inches (cm) | FBW inches (cm) |
| 3               | 6½ (15.6)      | 9¼ (24.8)       |
| 4               | 8¼ (22.3)      | 12¼ (32.8)      |
| 5               | 11½ (29.3)     | 16 (40.7)       |
| 6               | 14¼ (35.9)     | 19¼ (48.9)      |
| 7               | 16¼ (42.6)     | 22¼ (56.9)      |
| 8               | 19½ (49.6)     | 25½ (64.8)      |
| 9               | 22¼ (56.2)     | 25½ (65.1)      |
| 10              | 24¼ (62.9)     | 31¼ (80.7)      |
| 11              | 27¼ (69.6)     | 35 (88.9)       |
| 12              | 30 (76.2)      | 38¼ (96.9)      |
| 13              | 32¼ (83.2)     | 41¼ (104.8)     |
| 14              | 35¼ (89.9)     | 44¼ (112.8)     |
| 15              | 38 (96.6)      | 47½ (120.7)     |
| 16              | 40¼ (103.2)    | 50¼ (128.6)     |
| 17              | 43¼ (110.2)    | 53¼ (136.9)     |
| 18              | 46 (116.9)     | 57 (144.8)      |
| 19              | 48¼ (123.6)    | 60¼ (152.8)     |
| 20              | 51¼ (130.5)    | 63¼ (160.7)     |
| 21              | 54 (137.2)     | 66¾ (168.6)     |
| 22              | 56¼ (143.9)    | 69¼ (176.9)     |
| 23              | 59¼ (151.5)    | 73¼ (185.8)     |
| 24              | 62¼ (158.2)    | 76¼ (193.7)     |
| 25              | 65 (165.1)     | 79¼ (201.7)     |
| 26              | 67¼ (171.8)    | 82½ (209.6)     |
| 27              | 70¼ (178.5)    | 85¼ (217.9)     |
| 28              | 73 (185.5)     | 88¼ (225.8)     |
| 29              | 75¼ (192.1)    | 92 (233.7)      |
| 30              | 78¼ (198.8)    | 95¼ (241.7)     |
| 31              | 80¼ (205.5)    | 98¼ (249.6)     |
| 32              | 83½ (212.1)    | 101¼ (257.5)    |
| 33              | 86¼ (219.1)    | 104¼ (265.8)    |
| 34              | 88¼ (225.8)    | 107¼ (273.7)    |
| 35              | 91¼ (232.5)    | 110¼ (281.7)    |
| 36              | 94¼ (239.1)    | 114 (289.6)     |
| 37              | 96¼ (245.8)    | 117¼ (297.5)    |
| 38              | 99¼ (252.8)    | 120¼ (305.8)    |
| 39              | 102¼ (259.4)   | 123½ (313.7)    |
| 40              | 104¼ (266.1)   | 126¼ (321.7)    |
| 41              | 107½ (273.1)   | 129¼ (329.6)    |
| 42              | 110¼ (279.8)   | 132¼ (337.6)    |
| 43              | 112¼ (286.4)   | 136 (345.5)     |
| 44              | 115¼ (293.1)   | 139¼ (353.7)    |
| 45              | 118 (299.8)    | 142¼ (361.7)    |
| 46              | 120¼ (306.8)   | 145½ (369.6)    |
| 47              | 123¼ (313.4)   | 148¼ (377.6)    |
| 48              | 126 (320.1)    | 151¼ (385.5)    |
| 49              | 128¼ (327.1)   | 155 (393.7)     |
| 50              | 129¼ (328.3)   | 156 (396.3)     |

| G-98 Ultra-Vue™ |                |                 |
|-----------------|----------------|-----------------|
| Number of Vanes | Single Stack   |                 |
|                 | CO inches (cm) | FBW inches (cm) |
| 3               | 6½ (15.6)      | 10 (25.4)       |
| 4               | 9 (22.9)       | 13¼ (33.4)      |
| 5               | 11¼ (29.9)     | 16¼ (41.3)      |
| 6               | 14¼ (36.9)     | 19¼ (49.3)      |
| 7               | 17¼ (43.9)     | 22¼ (57.2)      |
| 8               | 20¼ (51.2)     | 25¼ (65.1)      |
| 9               | 22¼ (57.8)     | 28¼ (72.8)      |
| 10              | 25¼ (65.1)     | 31¼ (80.7)      |
| 11              | 28¼ (72.1)     | 34¼ (88.6)      |
| 12              | 31¼ (79.1)     | 38 (96.6)       |
| 13              | 33¼ (86.1)     | 41¼ (104.5)     |
| 14              | 36¼ (93.1)     | 44¼ (112.4)     |
| 15              | 39¼ (100.4)    | 47¼ (120.4)     |
| 16              | 42¼ (107.4)    | 50¼ (128.3)     |
| 17              | 45 (114.3)     | 53¼ (135.9)     |
| 18              | 47¼ (121.3)    | 56¼ (143.9)     |
| 19              | 50¼ (128.6)    | 59¼ (151.8)     |
| 20              | 53¼ (135.6)    | 62¼ (159.8)     |
| 21              | 56¼ (142.6)    | 66 (167.7)      |
| 22              | 58¼ (149.6)    | 69¼ (175.6)     |
| 23              | 62 (157.5)     | 72¼ (183.2)     |
| 24              | 64¼ (164.5)    | 75¼ (191.2)     |
| 25              | 67¼ (171.5)    | 78¼ (199.1)     |
| 26              | 70¼ (178.8)    | 81¼ (207.1)     |
| 27              | 73 (185.5)     | 84¼ (215.0)     |
| 28              | 75¼ (192.8)    | 87¼ (222.9)     |
| 29              | 78¼ (199.8)    | 90¼ (230.9)     |
| 30              | 81¼ (206.7)    | 94 (238.8)      |
| 31              | 84¼ (214.0)    | 97¼ (246.7)     |
| 32              | 87 (221.0)     | 100¼ (254.4)    |
| 33              | 89¼ (228.0)    | 103¼ (262.3)    |
| 34              | 92¼ (235.0)    | 106¼ (270.2)    |
| 35              | 95¼ (242.3)    | 109¼ (278.2)    |
| 36              | 98 (249.0)     | 112¼ (286.1)    |
| 37              | 100¼ (256.3)   | 115¼ (294.1)    |
| 38              | 103¼ (263.3)   | 118¼ (302.0)    |
| 39              | 106¼ (270.2)   | 122 (309.9)     |
| 40              | 109¼ (277.2)   | 125 (317.5)     |
| 41              | 111¼ (284.2)   | 128¼ (325.5)    |
| 42              | 114¼ (291.5)   | 131¼ (333.4)    |
| 43              | 117¼ (298.5)   | 134¼ (341.4)    |
| 44              | 120¼ (305.5)   | 137¼ (349.3)    |
| 45              | 123¼ (313.4)   | 140¼ (357.9)    |
| 46              | 125¼ (319.5)   | 144 (365.8)     |
| 47              | 128¼ (327.4)   | 147¼ (373.7)    |
| 48              | 131¼ (334.7)   | 150¼ (381.7)    |
| 49              | 134¼ (341.4)   | 153¼ (389.6)    |
| 50              | 136¼ (347.4)   | 156 (396.3)     |

| G-85 Dura-Vue®  |                |                 |
|-----------------|----------------|-----------------|
| Number of Vanes | Single Stack   |                 |
|                 | CO inches (cm) | FBW inches (cm) |
| 3               | 6¼ (15.9)      | 10¼ (25.8)      |
| 4               | 8¼ (22.6)      | 13¼ (33.7)      |
| 5               | 11½ (29.3)     | 16¼ (41.6)      |
| 6               | 14¼ (35.9)     | 19¼ (49.6)      |
| 7               | 16¼ (42.6)     | 22¼ (57.5)      |
| 8               | 19¼ (49.3)     | 25¼ (65.5)      |
| 9               | 22 (55.9)      | 28¼ (73.4)      |
| 10              | 24¼ (62.9)     | 32 (81.3)       |
| 11              | 27¼ (69.6)     | 35¼ (89.3)      |
| 12              | 30 (76.2)      | 38¼ (97.2)      |
| 13              | 32¼ (82.9)     | 41¼ (105.1)     |
| 14              | 35¼ (89.6)     | 44¼ (113.1)     |
| 15              | 37¼ (96.3)     | 47¼ (121.0)     |
| 16              | 40¼ (102.9)    | 50¼ (129.0)     |
| 17              | 43¼ (109.6)    | 53¼ (136.9)     |
| 18              | 45¼ (116.3)    | 57 (144.8)      |
| 19              | 48¼ (122.9)    | 60¼ (152.8)     |
| 20              | 51 (129.6)     | 63¼ (160.7)     |
| 21              | 53¼ (136.3)    | 66¼ (168.6)     |
| 22              | 56¼ (142.9)    | 69¼ (176.6)     |
| 23              | 59¼ (150.5)    | 72¼ (184.5)     |
| 24              | 61¼ (157.2)    | 75¼ (192.5)     |
| 25              | 64¼ (163.9)    | 78¼ (200.4)     |
| 26              | 67¼ (170.5)    | 82 (208.3)      |
| 27              | 69¼ (177.2)    | 85¼ (216.3)     |
| 28              | 72¼ (183.9)    | 88¼ (224.2)     |
| 29              | 75 (190.5)     | 91¼ (232.1)     |
| 30              | 77¼ (197.2)    | 94¼ (240.1)     |
| 31              | 80¼ (203.9)    | 97¼ (248.0)     |
| 32              | 82¼ (210.6)    | 100¼ (256.0)    |
| 33              | 85¼ (217.2)    | 103¼ (263.9)    |
| 34              | 88¼ (223.9)    | 107 (271.8)     |
| 35              | 90¼ (230.6)    | 110¼ (279.8)    |
| 36              | 93¼ (237.2)    | 113¼ (287.7)    |
| 37              | 96¼ (244.2)    | 116¼ (295.6)    |
| 38              | 98¼ (250.9)    | 119¼ (303.6)    |
| 39              | 101¼ (257.5)   | 122¼ (311.5)    |
| 40              | 104 (264.2)    | 125¼ (319.5)    |
| 41              | 106¼ (270.9)   | 128¼ (327.4)    |
| 42              | 109¼ (277.5)   | 132 (335.3)     |
| 43              | 111¼ (284.2)   | 135¼ (343.3)    |
| 44              | 114¼ (290.9)   | 138¼ (351.2)    |
| 45              | 117¼ (297.5)   | 141¼ (359.1)    |
| 46              | 119¼ (304.2)   | 144¼ (367.1)    |
| 47              | 122¼ (310.9)   | 147¼ (375.0)    |
| 48              | 125 (317.5)    | 150¼ (383.0)    |
| 49              | 127¼ (324.2)   | 153¼ (390.9)    |
| 50              | 129¼ (328.7)   | 156 (396.3)     |

Split stack One Touch Control not available.

FBW = Finished Blind Width  
CO = Clear Opening  
Stack = FBW - CO

## General Information

**Sheer Vertical Blinds: Vane Stacking Chart:  
Outside Mount**

| Number of Vanes | Single Stack   |                 | Split Stack    |                 |
|-----------------|----------------|-----------------|----------------|-----------------|
|                 | CO inches (cm) | FBW inches (cm) | CO inches (cm) | FBW inches (cm) |
| 6               | 14% (37.8)     | 19% (49.9)      | 11% (28.3)     | 17(43.2)        |
| 7               | 17½ (44.5)     | 22% (57.8)      |                |                 |
| 8               | 20% (51.2)     | 25% (65.8)      | 16% (41.6)     | 23¼ (59.1)      |
| 9               | 22% (57.8)     | 29 (73.7)       |                |                 |
| 10              | 25% (64.5)     | 32% (81.6)      | 21% (55.3)     | 29% (75.3)      |
| 11              | 28% (71.5)     | 35% (89.9)      |                |                 |
| 12              | 30% (78.2)     | 38% (97.8)      | 27 (68.6)      | 35% (91.2)      |
| 13              | 33% (84.8)     | 41% (105.8)     |                |                 |
| 14              | 36% (91.8)     | 44% (113.7)     | 32% (82.3)     | 42% (107.0)     |
| 15              | 38% (98.5)     | 47% (121.7)     |                |                 |
| 16              | 41% (105.1)    | 51 (129.6)      | 37% (95.9)     | 48½ (123.2)     |
| 17              | 44 (111.8)     | 54% (137.8)     |                |                 |
| 18              | 46% (118.5)    | 57% (145.8)     | 43 (109.3)     | 54% (139.1)     |
| 19              | 49% (125.5)    | 60% (153.7)     |                |                 |
| 20              | 52 (132.1)     | 63% (161.7)     | 48% (122.6)    | 61 (155.0)      |
| 21              | 54% (138.8)    | 66% (169.6)     |                |                 |
| 22              | 57% (145.8)    | 70 (177.8)      | 53% (136.3)    | 67% (171.2)     |
| 23              | 60 (152.4)     | 73% (185.8)     |                |                 |
| 24              | 62% (159.1)    | 76% (193.7)     | 58% (149.6)    | 73% (187.1)     |
| 25              | 65% (165.8)    | 79% (201.7)     |                |                 |
| 26              | 67% (172.5)    | 82% (209.6)     | 64% (163.2)    | 80 (203.2)      |
| 27              | 70% (179.4)    | 85% (217.9)     |                |                 |
| 28              | 73% (186.1)    | 88% (225.8)     | 69½ (176.6)    | 86% (219.1)     |
| 29              | 75% (192.8)    | 92 (233.7)      |                |                 |
| 30              | 78% (199.8)    | 95% (241.7)     | 74% (190.2)    | 92½ (235.0)     |
| 31              | 81% (206.4)    | 98% (249.6)     |                |                 |
| 32              | 83% (213.1)    | 101% (257.5)    | 80% (203.9)    | 98% (251.2)     |
| 33              | 86% (219.8)    | 104% (265.8)    |                |                 |
| 34              | 89% (226.4)    | 107% (273.7)    | 85% (217.2)    | 105% (267.1)    |
| 35              | 91% (233.1)    | 110% (281.7)    |                |                 |
| 36              | 94½ (240.1)    | 114 (289.6)     | 90% (230.6)    | 111% (282.9)    |
| 37              | 97% (246.7)    | 117% (297.5)    |                |                 |
| 38              | 99% (253.4)    | 120% (305.8)    | 96% (244.2)    | 117% (299.1)    |
| 39              | 102% (260.1)   | 123% (313.7)    |                |                 |
| 40              | 105% (267.1)   | 126% (321.7)    | 101% (257.5)   | 124 (315.0)     |
| 41              | 107% (273.7)   | 129% (329.6)    |                |                 |
| 42              | 110% (280.4)   | 132% (337.6)    | 106% (270.9)   | 130% (330.9)    |
| 43              | 113 (287.1)    | 136 (345.5)     |                |                 |
| 44              | 115% (294.1)   | 139% (353.7)    | 112 (284.5)    | 136% (347.1)    |
| 45              | 118% (300.7)   | 142% (361.7)    |                |                 |
| 46              | 121 (307.4)    | 145% (369.6)    | 117% (298.2)   | 142% (363.0)    |
| 47              | 123% (314.1)   | 148% (377.6)    |                |                 |
| 48              | 126% (321.0)   | 151% (385.5)    | 122% (311.8)   | 149% (379.1)    |
| 49              | 129 (327.7)    | 155 (393.7)     |                |                 |
| 50              | 131% (334.4)   | 158% (401.7)    | 128 (325.2)    | 155% (395.0)    |
| 51              | 134% (341.0)   | 161% (409.6)    |                |                 |
| 52              | 137 (348.0)    | 164% (417.6)    | 133% (338.5)   | 161 ¼ (410.9)   |
| 53              | 139% (354.7)   | 167% (425.5)    |                |                 |
| 54              | 142% (361.4)   | 170% (433.4)    | 138% (352.2)   | 168% (427.1)    |
| 55              | 144% (368.0)   | 173% (441.7)    |                |                 |
| 56              | 147% (375.0)   | 177 (449.6)     | 143% (365.5)   | 174% (443.0)    |
| 57              | 150% (381.7)   | 180% (457.6)    |                |                 |
| 58              | 152% (388.4)   | 183% (465.5)    | 149% (378.8)   | 180% (458.8)    |
| 59              | 155% (395.0)   | 186% (473.4)    |                |                 |
| 60              | 158% (402.0)   | 189% (481.7)    | 154% (392.5)   | 187 (475.0)     |
| 61              | 159% (404.2)   | 191 (485.2)     |                |                 |
| 62              |                |                 | 157% (400.4)   | 191 (485.2)     |

**Sheer Vertical Blinds: Vane Stacking Chart:  
Inside Mount**

| Number of Vanes | Single Stack   |                 | Split Stack    |                 |
|-----------------|----------------|-----------------|----------------|-----------------|
|                 | CO inches (cm) | FBW inches (cm) | CO inches (cm) | FBW inches (cm) |
| 7               | 10% (27.0)     | 19% (48.9)      |                |                 |
| 8               | 13% (33.7)     | 22% (56.9)      | 11% (28.3)     | 19% (50.2)      |
| 9               | 15% (40.4)     | 25% (64.8)      |                |                 |
| 10              | 18% (47.0)     | 28% (72.8)      | 16% (41.6)     | 26 (66.1)       |
| 11              | 21% (54.0)     | 31% (81.0)      |                |                 |
| 12              | 24 (61.0)      | 35 (88.9)       | 21% (55.3)     | 32% (82.3)      |
| 13              | 26% (67.7)     | 38% (96.9)      |                |                 |
| 14              | 29% (74.3)     | 41% (104.8)     | 27 (68.6)      | 38% (98.2)      |
| 15              | 31% (81.0)     | 44% (112.8)     |                |                 |
| 16              | 34% (88.8)     | 47% (121.0)     | 32% (82.0)     | 44% (114.0)     |
| 17              | 37% (94.7)     | 50% (129.0)     |                |                 |
| 18              | 39% (101.3)    | 53% (136.9)     | 37% (95.9)     | 51% (130.2)     |
| 19              | 42% (108.0)    | 57 (144.8)      |                |                 |
| 20              | 45% (114.7)    | 60% (152.8)     | 43 (109.3)     | 57% (146.1)     |
| 21              | 47% (121.3)    | 63% (160.7)     |                |                 |
| 22              | 50% (128.3)    | 66% (169.0)     | 48% (122.6)    | 63% (162.0)     |
| 23              | 53% (135.0)    | 69% (176.9)     |                |                 |
| 24              | 55% (142.0)    | 72% (185.2)     | 53% (136.3)    | 70% (178.2)     |
| 25              | 58% (148.6)    | 76 (193.1)      |                |                 |
| 26              | 61% (155.3)    | 79% (201.0)     | 59 (149.9)     | 76% (194.4)     |
| 27              | 63% (162.3)    | 82% (209.0)     |                |                 |
| 28              | 66% (169.3)    | 85% (217.2)     | 64% (163.2)    | 82% (210.2)     |
| 29              | 69% (175.9)    | 88% (225.2)     |                |                 |
| 30              | 71% (182.6)    | 91% (233.1)     | 69% (176.9)    | 89% (226.4)     |
| 31              | 74% (189.3)    | 94% (241.0)     |                |                 |
| 32              | 77% (195.9)    | 98 (249.0)      | 74% (190.2)    | 95% (242.3)     |
| 33              | 80% (203.9)    | 101% (258.2)    |                |                 |
| 34              | 82% (210.6)    | 104% (266.1)    | 80% (205.2)    | 102% (259.4)    |
| 35              | 85% (217.2)    | 107% (274.1)    |                |                 |
| 36              | 88% (224.2)    | 111% (282.3)    | 86 (218.5)     | 108% (275.3)    |
| 37              | 90% (230.9)    | 114% (290.2)    |                |                 |
| 38              | 93% (237.5)    | 117% (298.2)    | 91% (232.1)    | 114% (291.5)    |
| 39              | 96% (244.2)    | 120% (306.1)    |                |                 |
| 40              | 98% (250.9)    | 123% (314.1)    | 96% (245.5)    | 121 (307.4)     |
| 41              | 101% (257.9)   | 126% (322.3)    |                |                 |
| 42              | 104% (264.5)   | 130 (330.2)     | 101% (257.9)   | 127% (323.3)    |
| 43              | 106% (271.5)   | 133% (338.2)    |                |                 |
| 44              | 109% (278.2)   | 136% (346.1)    | 106% (271.5)   | 133% (339.5)    |
| 45              | 112% (284.8)   | 139% (354.1)    |                |                 |
| 46              | 114% (291.5)   | 142% (362.0)    | 112% (284.8)   | 139% (355.3)    |
| 47              | 117% (298.5)   | 145% (370.3)    |                |                 |
| 48              | 120% (305.2)   | 148% (378.2)    | 117% (298.5)   | 146% (371.5)    |
| 49              | 122% (311.8)   | 152 (386.1)     |                |                 |
| 50              | 125% (318.5)   | 155% (394.1)    | 122% (311.8)   | 152% (387.4)    |
| 51              | 128% (325.5)   | 158% (402.3)    |                |                 |
| 52              | 130% (332.2)   | 161% (410.3)    | 128 (325.2)    | 158% (403.3)    |
| 53              | 133% (339.1)   | 164% (418.5)    |                |                 |
| 54              | 136% (345.8)   | 167% (426.5)    | 133% (338.8)   | 165% (419.4)    |
| 55              | 138% (352.5)   | 171 (434.4)     |                |                 |
| 56              | 141% (359.1)   | 174% (442.3)    | 138% (352.2)   | 171% (435.3)    |
| 57              | 144 (365.8)    | 177% (450.3)    |                |                 |
| 58              | 146% (373.1)   | 180% (458.5)    | 144 (365.8)    | 177% (451.2)    |
| 59              | 149% (379.8)   | 183% (466.5)    |                |                 |
| 60              | 152% (386.4)   | 186% (474.3)    | 149% (379.5)   | 184 (467.4)     |
| 61              | 154% (393.1)   | 189% (482.3)    |                |                 |
| 62              | 155% (394.7)   | 191 (485.2)     | 154% (392.8)   | 190% (483.3)    |
| 64              |                |                 | 154% (392.2)   | 191 (485.2)     |

FBW = Finished Blind Width  
CO = Clear Opening  
Stack = FBW – CO

# General Information

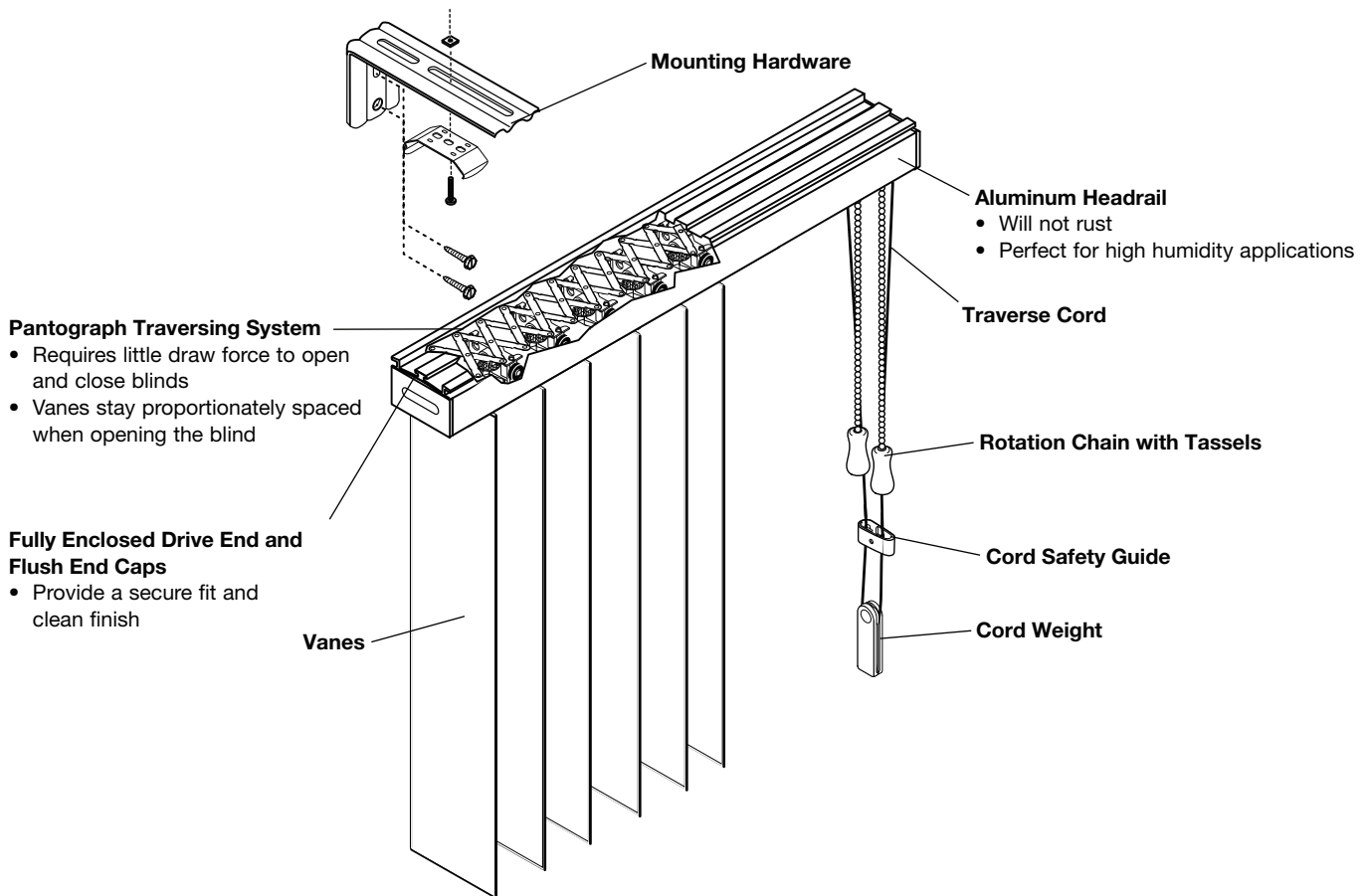
## Sheer Vertical Blinds: Vane Color Coordination Chart

| Fabric Name | Color Name  | Color Number | Recommended Vane, Bead Chain, and Cord Weight Color |
|-------------|-------------|--------------|---|
| Bengali     | Jute        | 2760         | Ivory   |
| Cascade     | Champagne   | 2080         | Ivory   |
| Dijon       | Downey      | 2221         | White   |
|             | Extra White | 2220         | White   |
|             | Stucco      | 2222         | Ivory   |
| Gossamer    | Champagne   | 1720         | Ivory   |
|             | Parchment   | 1722         | Ivory   |
|             | Snowstone   | 1724         | White   |
|             | White       | 1725         | White   |
| Highlight   | Champagne   | 1740         | Ivory   |
|             | Snowstone   | 1741         | White   |
|             | White       | 1742         | White   |



# General Information

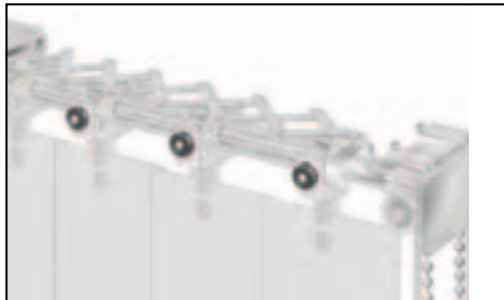
## G-71 Super-Vue® Product Detail



Exterior View



Interior View

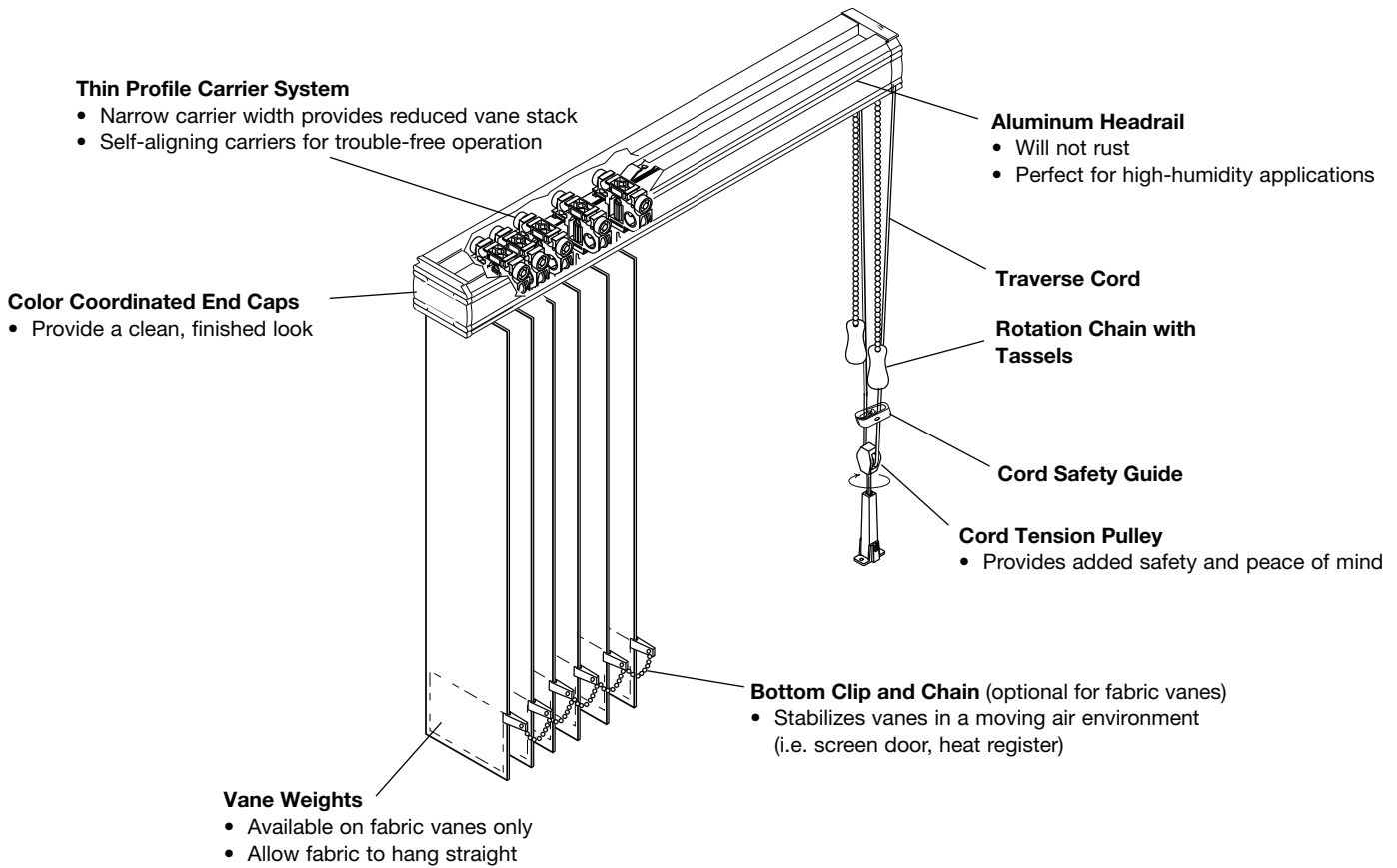


| Features                              | Benefits  |
|---------------------------------------|---|
| Heavy-Duty Anodized Aluminum Headrail | Will not rust; ideal for high-humidity applications   |
| Rack and Pinion Gear System           | Allows vanes to rotate smoothly and easily  |
| Centrally Located Carrier Stems       | Reversible headrail   |
| Pantograph System                     | Requires very little draw force to open and close blinds; vanes stay proportionately spaced when opening the blind  |
| Optional One Touch® Control           | Safety and convenience  |
| Removable Stems                       | Ability to repair instead of remaking—less invasive for the customer  |
| E-Z Open™                             | Automatically rotates the vanes when the cord is pulled to traverse the blind; not available with cord tension pulley, One Touch, and center, opposite, or uneven stack |
| Clear Nylon Vane Stems                | Nearly invisible, yet extremely strong  |

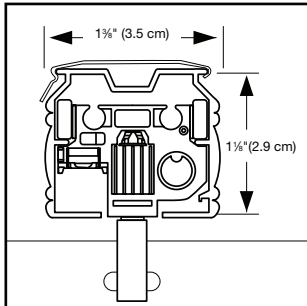


# General Information

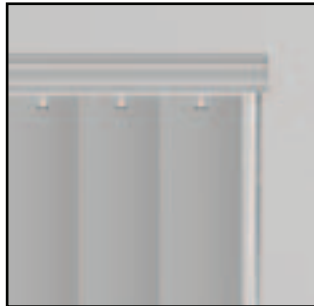
## G-98 Ultra-Vue™ Product Detail



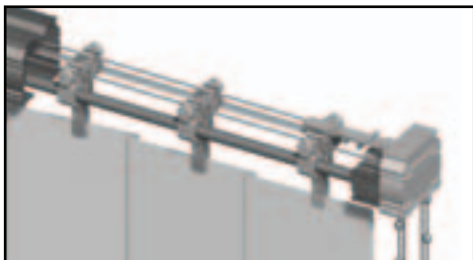
Inside Headrail View



Exterior View



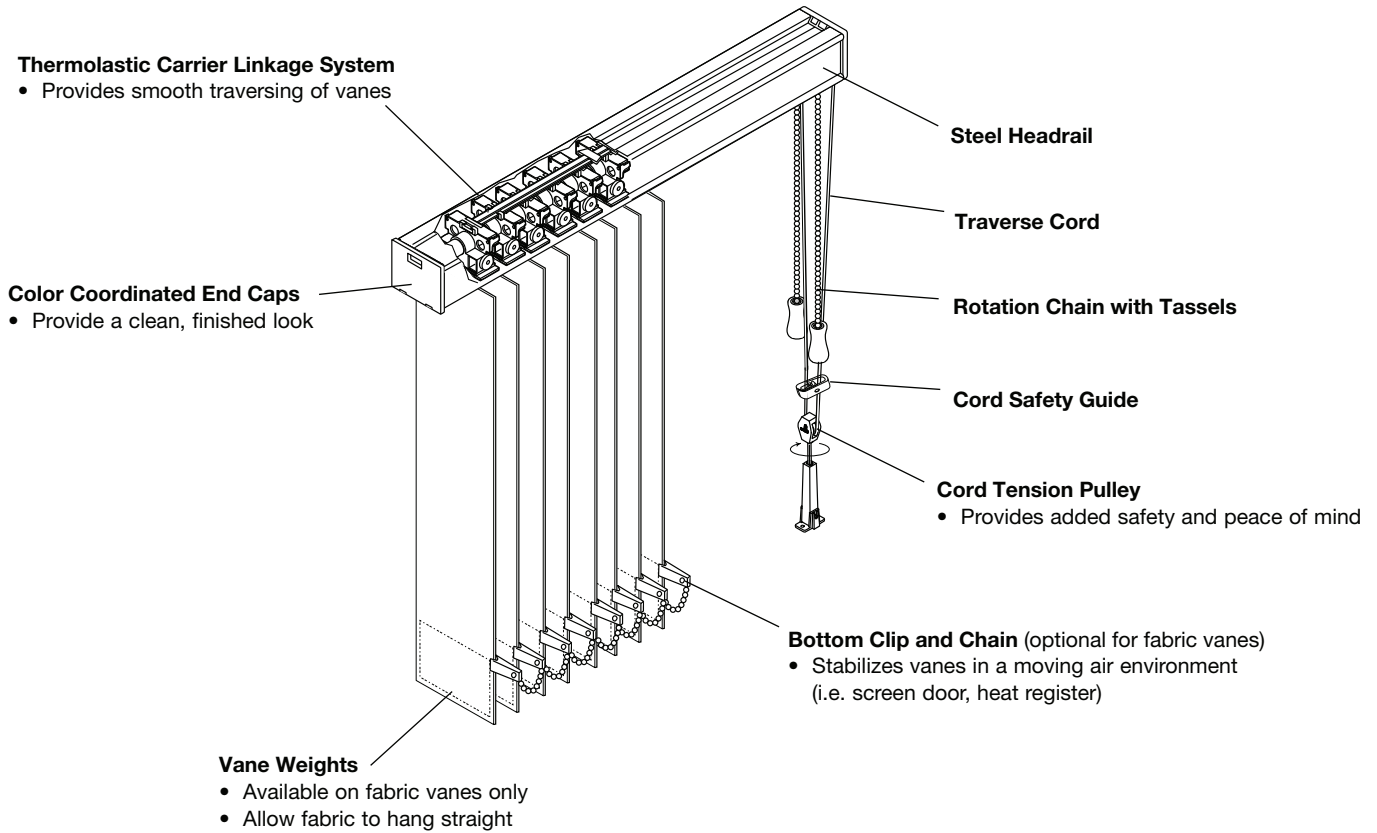
Interior View



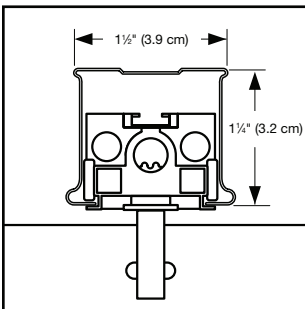
| Features   | Benefits  |
|--|---|
| Heavy-Duty Anodized Aluminum Headrail                                  | Will not rust; ideal for high-humidity applications               |
| Thin Profile Carriers  | Reduced stack   |
| Self-Aligning Carriers   | Trouble-free operation  |
| Fully Enclosed Drive and Flush End Caps                                | Provides a secure fit and clean finished appearance               |
| Low-Friction Wheeled Carriers  | Vanes traverse smoothly   |
| Optional One Touch® Control  | Safety and convenience  |
| Centrally Located Carrier Stems and Symmetrical Cord and Chain Control | Headrail reversible for right or left control installation        |
| Clear Nylon Vane Stems   | Nearly invisible, yet extremely strong                            |
| Removable Stems  | Ability to repair instead of remaking; less invasive for customer |

# General Information

## G-85 Dura-Vue® Product Detail



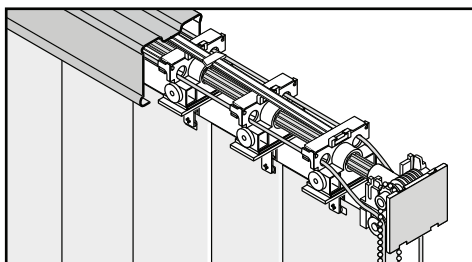
Inside Headrail View



Exterior View



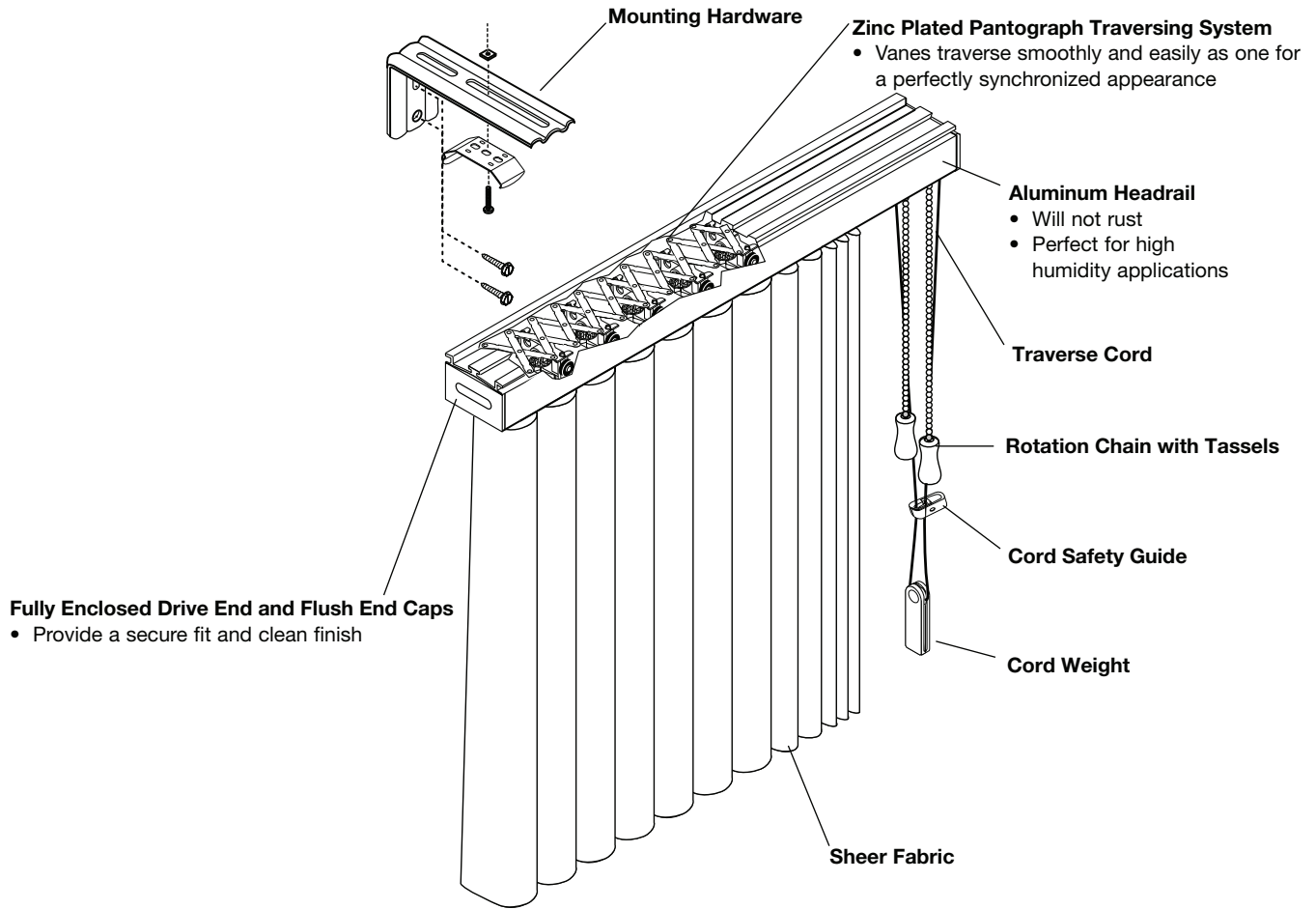
Interior View



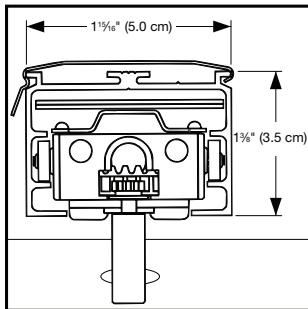
| Features                             | Benefits  |
|--------------------------------------|---|
| Steel Headrail with Ivory Finish     | Provides strength and durability                                  |
| Wheeled Carriers                     | Vanes traverse smoothly and easily                                |
| Centrally Located Carrier Stems      | Headrail is reversible for right or left control position         |
| Clear Nylon Vane Stems               | Nearly invisible, yet extremely strong                            |
| Optional Stack and Control Positions | Single stack, split stack, opposite stack are available           |
| Optional One Touch® Control          | Safety and convenience  |
| Removable Stems                      | Ability to repair instead of remaking; less invasive for customer |

# General Information

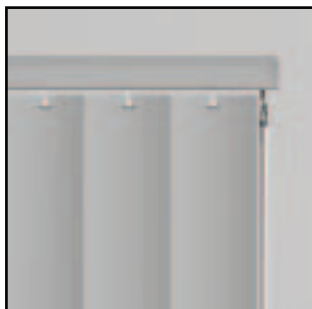
## Sheer Vertical Blinds: G-71 Super-Vue® Product Detail



Inside Headrail View



Exterior View



| Features                 | Benefits  |
|--------------------------|---|
| Easy Install Fabric      | Install fabric after headrail installation; to clean, no need to take down entire blind |
| Skirt Only Option        | Change fabric style or color when changing room décor                                   |
| Washable Fabric          | Remove fabric from blind to machine wash  |
| Fabric Cut Yardage       | Create a personal look with scarves or valance from same blind material                 |
| Color Coordinated Thread | For finished appearance   |

**NOTE:** EZ Open™ feature is not available on sheer vertical blinds.



# Price Charts

Vinyl Crown: Crown\*  
 Vinyl Embossed: Grotto

## Price Group A: G-71 Super-Vue® and G-98 Ultra-Vue™

| Height up to inches (cm) ↓ | Width up to inches (cm) → |           |            |            |            |            |            |             |             |             |             |             |             |             |             |             | Replmt Vanes |             |
|----------------------------|---------------------------|-----------|------------|------------|------------|------------|------------|-------------|-------------|-------------|-------------|-------------|-------------|-------------|-------------|-------------|--------------|-------------|
|                            | 25 (63.5)                 | 38 (96.6) | 50 (127.0) | 63 (160.1) | 75 (190.5) | 85 (215.9) | 88 (223.6) | 100 (254.0) | 113 (287.1) | 120 (304.8) | 132 (335.3) | 144 (365.8) | 154 (391.2) | 164 (416.6) | 174 (442.0) | 184 (467.4) |              | 191 (485.2) |
| 48 (122.0)                 | \$146                     | 179       | 217        | 248        | 285        | 311        | 321        | 364         | 394         | 412         | 454         | 485         | 519         | 552         | 586         | 619         | 653          | 4           |
| 60 (152.4)                 | 155                       | 187       | 230        | 262        | 299        | 329        | 338        | 384         | 417         | 437         | 480         | 514         | 548         | 582         | 617         | 652         | 686          | 5           |
| 72 (182.9)                 | 160                       | 199       | 245        | 277        | 316        | 342        | 356        | 406         | 442         | 458         | 509         | 544         | 581         | 619         | 657         | 694         | 734          | 6           |
| 84 (213.4)                 | 171                       | 211       | 259        | 290        | 332        | 360        | 373        | 425         | 463         | 483         | 535         | 570         | 611         | 651         | 690         | 731         | 771          | 6           |
| 96 (243.9)                 | 177                       | 218       | 270        | 307        | 349        | 383        | 392        | 445         | 483         | 509         | 562         | 599         | 641         | 682         | 723         | 764         | 805          | 8           |
| 108 (274.4)                | 182                       | 228       | 283        | 321        | 367        | 399        | 411        | 466         | 508         | 532         | 586         | 628         | 669         | 712         | 755         | 796         | 840          | 8           |
| 120 (304.8)                | 193                       | 241       | 296        | 338        | 387        | 422        | 435        | 494         | 532         | 553         | 615         | 655         | 702         | 748         | 795         | 843         | 888          | 10          |
| 132 (335.3)                | 200                       | 255       | 314        | 356        | 407        | 443        | 457        | 518         | 558         | 585         | 649         | 691         | 742         | 792         | 843         | 893         | 942          | 11          |
| 144 (365.8)                | 205                       | 270       | 329        | 373        | 428        | 465        | 482        | 544         | 586         | 615         | 686         | 727         | 779         | 832         | 884         | 937         | 989          | 12          |
| 156 (396.3)                | 210                       | 284       | 343        | 391        | 447        | 488        | 507        | 569         | 615         | 646         | 721         | 764         | 820         | 876         | 932         | 987         | 1043         | 14          |
| 168 (426.8)                | 213                       | 299       | 360        | 410        | 470        | 510        | 532        | 595         | 643         | 674         | 756         | 799         | 859         | 917         | 977         | 1036        | 1095         | 16          |
| 180 (457.2)                | 217                       | 314       | 376        | 425        | 489        | 534        | 551        | 622         | 671         | 705         | 791         | 836         | 899         | 961         | 1023        | 1087        | 1149         | 17          |
| 192 (487.7)                | 223                       | 328       | 392        | 443        | 510        | 553        | 576        | 646         | 701         | 736         | 825         | 876         | 942         | 1009        | 1076        | 1143        | 1209         | 18          |

### Add Surcharge to Blind Price

|                             |      |    |    |    |     |     |     |     |     |     |     |     |     |     |     |     |    |
|-----------------------------|------|----|----|----|-----|-----|-----|-----|-----|-----|-----|-----|-----|-----|-----|-----|----|
| Square-Corner Valance       | \$21 | 33 | 36 | 42 | 46  | 49  | 51  | 57  | 61  | 65  | 71  | 75  | 80  | 85  | 89  | 93  | 98 |
| Round-Corner Valance        | 23   | 36 | 41 | 49 | 52  | 56  | 57  | 65  | 70  | 74  | 84  | 89  | 94  | 100 | 105 | 110 |    |
| Double Round-Corner Valance | 46   | 72 | 82 | 98 | 104 | 112 | 114 | 130 | 140 | 148 | 168 | 178 | 188 | 200 | 210 | 220 |    |

## Price Group A: G-85 Dura-Vue®

| Height up to inches (cm) ↓ | Width up to inches (cm) → |           |            |            |            |            |            |             |             |             |             |             |             |             |             |              | Replmt Vanes |
|----------------------------|---------------------------|-----------|------------|------------|------------|------------|------------|-------------|-------------|-------------|-------------|-------------|-------------|-------------|-------------|--------------|--------------|
|                            | 25 (63.5)                 | 38 (96.6) | 50 (127.0) | 63 (160.1) | 75 (190.5) | 85 (215.9) | 88 (223.6) | 100 (254.0) | 113 (287.1) | 120 (304.8) | 132 (335.3) | 144 (365.8) | 154 (391.2) | 164 (416.6) | 174 (442.0) | 178% (454.1) |              |
| 48 (122.0)                 | \$129                     | 157       | 182        | 206        | 230        | 248        | 252        | 288         | 311         | 322         | 356         | 376         | 402         | 428         | 453         | 479          | 4            |
| 60 (152.4)                 | 138                       | 171       | 196        | 217        | 245        | 265        | 270        | 308         | 336         | 343         | 383         | 406         | 435         | 463         | 493         | 522          | 5            |
| 72 (182.9)                 | 149                       | 179       | 212        | 231        | 261        | 283        | 288        | 329         | 357         | 369         | 410         | 436         | 465         | 496         | 526         | 555          | 6            |
| 84 (213.4)                 | 155                       | 187       | 224        | 247        | 279        | 299        | 304        | 349         | 379         | 393         | 436         | 463         | 495         | 526         | 557         | 588          | 6            |
| 96 (243.9)                 | 161                       | 199       | 234        | 262        | 294        | 320        | 325        | 369         | 400         | 417         | 458         | 490         | 524         | 557         | 590         | 624          | 8            |
| 108 (274.4)                | 171                       | 211       | 248        | 277        | 311        | 337        | 341        | 392         | 422         | 441         | 488         | 516         | 551         | 587         | 623         | 658          | 8            |
| 120 (304.8)                | 180                       | 222       | 265        | 294        | 332        | 360        | 364        | 417         | 446         | 464         | 515         | 546         | 583         | 622         | 659         | 697          | 10           |
| 132 (335.3)                | 184                       | 234       | 282        | 313        | 353        | 384        | 388        | 442         | 477         | 496         | 550         | 585         | 626         | 667         | 708         | 749          | 11           |
| 144 (365.8)                | 188                       | 249       | 296        | 329        | 373        | 406        | 412        | 466         | 508         | 527         | 588         | 624         | 667         | 711         | 755         | 797          | 12           |

### Add Surcharge to Blind Price

|                             |      |    |    |    |     |     |     |     |     |     |     |     |     |     |     |     |
|-----------------------------|------|----|----|----|-----|-----|-----|-----|-----|-----|-----|-----|-----|-----|-----|-----|
| Square-Corner Valance       | \$21 | 33 | 36 | 42 | 46  | 49  | 51  | 57  | 61  | 65  | 71  | 75  | 80  | 85  | 89  | 93  |
| Round-Corner Valance        | 23   | 36 | 41 | 49 | 52  | 56  | 57  | 65  | 70  | 74  | 84  | 89  | 94  | 100 | 105 | 110 |
| Double Round-Corner Valance | 46   | 72 | 82 | 98 | 104 | 112 | 114 | 130 | 140 | 148 | 168 | 178 | 188 | 200 | 210 | 220 |

One Touch® Control outlined in the chart above. Maximum overall blind size is 10,080 square inches (6.5 m²) (w x h). Available at no charge.

## Colors

### Vinyl

#### Crown\*

Alabaster .....9303  
 Candelabra.....9300  
 Carob .....9317  
 Ivory .....9307

Misty Gray .....9312  
 Tan .....9308  
 White .....9306

#### Grotto

Alabaster .....6587  
 Ivory .....6586  
 Stormcloud.....6584  
 White .....6585

\*Available in coordinating 2" (5.1 cm) horizontal vinyl blinds.

# Price Charts

Vinyl: Cachet\*, Channel Panel, Fiber\*, Quantum\*, Stowe, Window Weaves

## Price Group B: G-71 Super-Vue® and G-98 Ultra-Vue™

| Height up to inches (cm) ↓ | Width up to inches (cm) → |           |            |            |            |            |            |             |             |             |             |             |             |             |             |             | Replmt Vanes |             |
|----------------------------|---------------------------|-----------|------------|------------|------------|------------|------------|-------------|-------------|-------------|-------------|-------------|-------------|-------------|-------------|-------------|--------------|-------------|
|                            | 25 (63.5)                 | 38 (96.6) | 50 (127.0) | 63 (160.1) | 75 (190.5) | 85 (215.9) | 88 (223.6) | 100 (254.0) | 113 (287.1) | 120 (304.8) | 132 (335.3) | 144 (365.8) | 154 (391.2) | 164 (416.6) | 174 (442.0) | 184 (467.4) |              | 191 (485.2) |
| 48 (122.0)                 | \$174                     | 215       | 261        | 299        | 342        | 375        | 387        | 440         | 477         | 501         | 548         | 585         | 626         | 665         | 704         | 745         | 784          | 5           |
| 60 (152.4)                 | 186                       | 228       | 280        | 316        | 360        | 395        | 407        | 463         | 507         | 527         | 579         | 622         | 661         | 702         | 744         | 784         | 825          | 5           |
| 72 (182.9)                 | 193                       | 239       | 295        | 334        | 379        | 417        | 430        | 487         | 532         | 553         | 615         | 655         | 697         | 742         | 784         | 828         | 870          | 6           |
| 84 (213.4)                 | 206                       | 251       | 310        | 350        | 401        | 437        | 448        | 514         | 555         | 582         | 642         | 690         | 738         | 782         | 830         | 876         | 921          | 8           |
| 96 (243.9)                 | 213                       | 263       | 326        | 367        | 420        | 457        | 472        | 537         | 582         | 613         | 674         | 724         | 772         | 820         | 869         | 917         | 967          | 8           |
| 108 (274.4)                | 220                       | 277       | 339        | 387        | 442        | 479        | 495        | 563         | 612         | 639         | 705         | 755         | 803         | 854         | 903         | 954         | 1003         | 12          |
| 120 (304.8)                | 233                       | 293       | 358        | 407        | 465        | 510        | 522        | 594         | 639         | 669         | 740         | 790         | 845         | 898         | 953         | 1006        | 1061         | 13          |
| 132 (335.3)                | 239                       | 310       | 379        | 432        | 488        | 536        | 548        | 629         | 674         | 705         | 784         | 835         | 890         | 949         | 1004        | 1061        | 1116         | 14          |
| 144 (365.8)                | 242                       | 324       | 401        | 453        | 514        | 562        | 575        | 658         | 712         | 745         | 826         | 882         | 942         | 1002        | 1062        | 1120        | 1181         | 16          |
| 156 (396.3)                | 248                       | 339       | 422        | 477        | 537        | 585        | 602        | 690         | 749         | 784         | 869         | 926         | 989         | 1052        | 1113        | 1176        | 1236         | 17          |
| 168 (426.8)                | 252                       | 356       | 442        | 501        | 562        | 612        | 631        | 722         | 785         | 822         | 912         | 974         | 1039        | 1103        | 1170        | 1234        | 1300         | 18          |
| 180 (457.2)                | 258                       | 372       | 463        | 522        | 584        | 637        | 657        | 755         | 822         | 860         | 956         | 1020        | 1088        | 1154        | 1222        | 1290        | 1356         | 19          |
| 192 (487.7)                | 261                       | 388       | 482        | 544        | 610        | 663        | 684        | 785         | 859         | 897         | 996         | 1066        | 1135        | 1206        | 1278        | 1347        | 1418         | 20          |

### Add Surcharge to Blind Price

|                             |      |    |     |     |     |     |     |     |     |     |     |     |     |     |     |     |     |
|-----------------------------|------|----|-----|-----|-----|-----|-----|-----|-----|-----|-----|-----|-----|-----|-----|-----|-----|
| Square-Corner Valance       | \$23 | 38 | 41  | 52  | 57  | 58  | 60  | 68  | 75  | 78  | 88  | 94  | 100 | 105 | 110 | 116 | 121 |
| Round-Corner Valance        | 27   | 41 | 50  | 59  | 64  | 66  | 68  | 78  | 87  | 91  | 100 | 109 | 116 | 122 | 128 | 135 |     |
| Double Round-Corner Valance | 54   | 82 | 100 | 118 | 128 | 132 | 136 | 156 | 174 | 182 | 200 | 218 | 232 | 244 | 256 | 270 |     |

## Price Group B: G-85 Dura-Vue®

| Height up to inches (cm) ↓ | Width up to inches (cm) → |           |            |            |            |            |            |             |             |             |             |             |             |             |             |              | Replmt Vanes |
|----------------------------|---------------------------|-----------|------------|------------|------------|------------|------------|-------------|-------------|-------------|-------------|-------------|-------------|-------------|-------------|--------------|--------------|
|                            | 25 (63.5)                 | 38 (96.6) | 50 (127.0) | 63 (160.1) | 75 (190.5) | 85 (215.9) | 88 (223.6) | 100 (254.0) | 113 (287.1) | 120 (304.8) | 132 (335.3) | 144 (365.8) | 154 (391.2) | 164 (416.6) | 174 (442.0) | 178¾ (454.1) |              |
| 48 (122.0)                 | \$160                     | 194       | 230        | 259        | 295        | 321        | 325        | 372         | 403         | 417         | 457         | 488         | 524         | 557         | 590         | 626          | 5            |
| 60 (152.4)                 | 174                       | 211       | 248        | 273        | 313        | 339        | 343        | 395         | 430         | 445         | 489         | 522         | 557         | 593         | 631         | 666          | 5            |
| 72 (182.9)                 | 182                       | 223       | 265        | 295        | 331        | 358        | 367        | 419         | 455         | 473         | 523         | 557         | 595         | 635         | 672         | 711          | 6            |
| 84 (213.4)                 | 190                       | 231       | 282        | 311        | 350        | 379        | 387        | 445         | 479         | 504         | 555         | 590         | 633         | 672         | 713         | 755          | 8            |
| 96 (243.9)                 | 200                       | 247       | 296        | 329        | 372        | 404        | 411        | 470         | 509         | 531         | 585         | 626         | 667         | 708         | 752         | 793          | 8            |
| 108 (274.4)                | 210                       | 258       | 310        | 345        | 393        | 425        | 436        | 495         | 534         | 561         | 617         | 658         | 704         | 752         | 797         | 845          | 12           |
| 120 (304.8)                | 220                       | 273       | 331        | 367        | 418        | 452        | 458        | 527         | 564         | 585         | 653         | 693         | 742         | 789         | 836         | 883          | 13           |
| 132 (335.3)                | 225                       | 290       | 352        | 389        | 441        | 478        | 484        | 557         | 599         | 626         | 694         | 739         | 788         | 838         | 886         | 936          | 14           |
| 144 (365.8)                | 230                       | 306       | 372        | 412        | 464        | 505        | 514        | 590         | 637         | 663         | 738         | 785         | 838         | 888         | 941         | 992          | 16           |

### Add Surcharge to Blind Price

|                             |      |    |     |     |     |     |     |     |     |     |     |     |     |     |     |     |
|-----------------------------|------|----|-----|-----|-----|-----|-----|-----|-----|-----|-----|-----|-----|-----|-----|-----|
| Square-Corner Valance       | \$23 | 38 | 41  | 52  | 57  | 58  | 60  | 68  | 75  | 78  | 88  | 94  | 100 | 105 | 110 | 116 |
| Round-Corner Valance        | 27   | 41 | 50  | 59  | 64  | 66  | 68  | 78  | 87  | 91  | 100 | 109 | 116 | 122 | 128 | 135 |
| Double Round-Corner Valance | 54   | 82 | 100 | 118 | 128 | 132 | 136 | 156 | 174 | 182 | 200 | 218 | 232 | 244 | 256 | 270 |

One Touch® Control outlined in the chart above. Maximum overall blind size is 10,080 square inches (6.5 m²) (w x h). Available at no charge.

## Colors

### Vinyl

|                              |                            |                           |                             |
|------------------------------|----------------------------|---------------------------|-----------------------------|
| <b>Cachet*</b>               | <b>Fiber*</b>              | <b>Quantum*</b>           | <b>Window Weaves</b>        |
| Ivory . . . . . 6657         | Bloodroot . . . . . 3977   | Chevre . . . . . 6874     | Deep Walnut . . . . . 3892  |
| Satin White . . . . . 6651   | Buttercream . . . . . 3972 | Cream . . . . . 6879      | Heath . . . . . 3895        |
| Shimmer Sage . . . . . 6660  | Cinnamon . . . . . 3976    | Model . . . . . 6881      | Melting Snow . . . . . 3890 |
| Silver Dollar . . . . . 6655 | Midnight . . . . . 3974    | Shipwreck . . . . . 6875  | Millet . . . . . 3897       |
| Tan . . . . . 6654           | Pebble . . . . . 3092      | <b>Stowe</b>              | Pilaf . . . . . 3896        |
| White . . . . . 6650         | Sandstone . . . . . 3970   | Bone . . . . . 9014       | Rice Paper . . . . . 3893   |
| <b>Channel Panel</b>         | Shale . . . . . 3090       | Cocoa . . . . . 9011      |                             |
| Ivory . . . . . 7137         | White . . . . . 3973       | Embankment . . . . . 9022 |                             |
| White . . . . . 7136         |                            | Resort . . . . . 9021     |                             |
|                              |                            | Willow . . . . . 9015     |                             |
|                              |                            | Yew . . . . . 9020        |                             |

\*Available in coordinating 2" (5.1 cm) horizontal vinyl blinds.

## Price Charts

Fabric: Baskerville, Brighton<sup>o</sup>, Harmony<sup>o</sup>, Sheffield<sup>o</sup>  
 Vinyl: Homespun II\*, Lake Forest<sup>o</sup>, Rapture\*, Satin Stripe  
 Vinyl S-Shaped: Linen S\*, Quantum S

| <b>Price Group C: G-71 Super-Vue<sup>®</sup> and G-98 Ultra-Vue<sup>™</sup></b> |                           |              |               |               |               |               |               |                |                |                |                |                |                |                |                |                |                |              |
|---|---------------------------|--------------|---------------|---------------|---------------|---------------|---------------|----------------|----------------|----------------|----------------|----------------|----------------|----------------|----------------|----------------|----------------|--------------|
| Height up to inches (cm) ↓  | Width up to inches (cm) → |              |               |               |               |               |               |                |                |                |                |                |                |                |                |                |                | Replmt Vanes |
|   | 25<br>(63.5)              | 38<br>(96.6) | 50<br>(127.0) | 63<br>(160.1) | 75<br>(190.5) | 85<br>(215.9) | 88<br>(223.6) | 100<br>(254.0) | 113<br>(287.1) | 120<br>(304.8) | 132<br>(335.3) | 144<br>(365.8) | 154<br>(391.2) | 164<br>(416.6) | 174<br>(442.0) | 184<br>(467.4) | 191<br>(485.2) |              |
| 48 (122.0)  | \$194                     | 249          | 302           | 331           | 382           | 418           | 431           | 488            | 531            | 554            | 610            | 652            | 697            | 744            | 791            | 836            | 882            | 10           |
| 60 (152.4)  | 206                       | 253          | 312           | 350           | 402           | 440           | 454           | 515            | 561            | 588            | 644            | 690            | 738            | 787            | 835            | 884            | 932            | 12           |
| 72 (182.9)  | 214                       | 269          | 326           | 371           | 421           | 463           | 479           | 541            | 591            | 617            | 683            | 728            | 777            | 827            | 878            | 928            | 977            | 12           |
| 84 (213.4)  | 227                       | 279          | 346           | 390           | 444           | 485           | 500           | 571            | 618            | 649            | 716            | 766            | 819            | 873            | 926            | 979            | 1034           | 13           |
| 96 (243.9)  | 235                       | 290          | 364           | 411           | 470           | 509           | 527           | 597            | 649            | 683            | 750            | 803            | 860            | 916            | 971            | 1026           | 1083           | 13           |
| 108 (274.4)   | 248                       | 307          | 379           | 431           | 490           | 535           | 552           | 630            | 678            | 712            | 785            | 840            | 896            | 954            | 1010           | 1066           | 1125           | 15           |
| 120 (304.8)   | 260                       | 325          | 401           | 454           | 520           | 565           | 581           | 660            | 712            | 743            | 823            | 880            | 940            | 1003           | 1062           | 1124           | 1183           | 15           |
| 132 (335.3)   | 266                       | 346          | 422           | 479           | 549           | 597           | 613           | 694            | 750            | 785            | 871            | 929            | 993            | 1058           | 1123           | 1186           | 1250           | 16           |
| 144 (365.8)   | 273                       | 365          | 444           | 501           | 578           | 626           | 644           | 728            | 791            | 828            | 918            | 979            | 1046           | 1114           | 1180           | 1247           | 1312           | 17           |
| 156 (396.3)   | 279                       | 383          | 470           | 528           | 605           | 656           | 678           | 762            | 830            | 871            | 965            | 1029           | 1098           | 1168           | 1238           | 1306           | 1375           | 19           |
| 168 (426.8)   | 285                       | 406          | 490           | 552           | 636           | 687           | 709           | 796            | 867            | 914            | 1012           | 1078           | 1149           | 1221           | 1293           | 1364           | 1436           | 20           |
| 180 (457.2)   | 289                       | 425          | 514           | 576           | 663           | 718           | 741           | 831            | 908            | 955            | 1059           | 1129           | 1203           | 1278           | 1350           | 1425           | 1499           | 21           |
| 192 (487.7)   | 298                       | 443          | 535           | 600           | 692           | 746           | 772           | 864            | 948            | 997            | 1105           | 1179           | 1255           | 1332           | 1409           | 1484           | 1561           | 22           |

| <b>Add Surcharge to Blind Price</b> |      |    |     |     |     |     |     |     |     |     |     |     |     |     |     |     |     |  |
|-------------------------------------|------|----|-----|-----|-----|-----|-----|-----|-----|-----|-----|-----|-----|-----|-----|-----|-----|--|
| Square-Corner Valance               | \$27 | 40 | 45  | 52  | 56  | 61  | 63  | 69  | 77  | 82  | 90  | 96  | 103 | 109 | 116 | 122 | 129 |  |
| Round-Corner Valance                | 30   | 45 | 51  | 61  | 65  | 68  | 70  | 82  | 90  | 93  | 104 | 109 | 118 | 126 | 136 | 144 | 153 |  |
| Double Round-Corner Valance         | 60   | 90 | 102 | 122 | 130 | 136 | 140 | 164 | 180 | 186 | 208 | 218 | 236 | 252 | 272 | 288 | 306 |  |

| <b>Price Group C: G-85 Dura-Vue<sup>®</sup></b> |                           |              |               |               |               |               |               |                |                |                |                |                |                |                |                |                 |    |              |
|---|---------------------------|--------------|---------------|---------------|---------------|---------------|---------------|----------------|----------------|----------------|----------------|----------------|----------------|----------------|----------------|-----------------|----|--------------|
| Height up to inches (cm) ↓                      | Width up to inches (cm) → |              |               |               |               |               |               |                |                |                |                |                |                |                |                |                 |    | Replmt Vanes |
|   | 25<br>(63.5)              | 38<br>(96.6) | 50<br>(127.0) | 63<br>(160.1) | 75<br>(190.5) | 85<br>(215.9) | 88<br>(223.6) | 100<br>(254.0) | 113<br>(287.1) | 120<br>(304.8) | 132<br>(335.3) | 144<br>(365.8) | 154<br>(391.2) | 164<br>(416.6) | 174<br>(442.0) | 178%<br>(454.1) |    |              |
| 48 (122.0)                                      | \$178                     | 218          | 259           | 287           | 330           | 358           | 365           | 416            | 449            | 470            | 515            | 550            | 589            | 629            | 666            | 705             | 10 |              |
| 60 (152.4)                                      | 194                       | 233          | 279           | 311           | 350           | 379           | 388           | 441            | 482            | 498            | 550            | 588            | 630            | 670            | 711            | 754             | 12 |              |
| 72 (182.9)                                      | 202                       | 249          | 295           | 326           | 371           | 402           | 411           | 471            | 511            | 531            | 588            | 623            | 666            | 710            | 755            | 798             | 12 |              |
| 84 (213.4)                                      | 211                       | 260          | 314           | 350           | 392           | 427           | 435           | 497            | 538            | 561            | 620            | 660            | 707            | 755            | 800            | 847             | 13 |              |
| 96 (243.9)                                      | 224                       | 275          | 330           | 368           | 416           | 449           | 458           | 527            | 566            | 594            | 656            | 699            | 747            | 797            | 846            | 894             | 13 |              |
| 108 (274.4)                                     | 244                       | 286          | 349           | 388           | 438           | 477           | 485           | 554            | 598            | 626            | 692            | 738            | 790            | 841            | 890            | 941             | 15 |              |
| 120 (304.8)                                     | 248                       | 307          | 368           | 411           | 467           | 505           | 515           | 590            | 633            | 656            | 728            | 774            | 828            | 884            | 938            | 993             | 15 |              |
| 132 (335.3)                                     | 253                       | 326          | 390           | 437           | 495           | 535           | 547           | 620            | 672            | 699            | 774            | 825            | 882            | 939            | 996            | 1053            | 16 |              |
| 144 (365.8)                                     | 259                       | 349          | 413           | 460           | 525           | 565           | 579           | 655            | 712            | 743            | 822            | 875            | 933            | 993            | 1052           | 1112            | 17 |              |

| <b>Add Surcharge to Blind Price</b> |      |    |     |     |     |     |     |     |     |     |     |     |     |     |     |     |  |
|-------------------------------------|------|----|-----|-----|-----|-----|-----|-----|-----|-----|-----|-----|-----|-----|-----|-----|--|
| Square-Corner Valance               | \$27 | 40 | 45  | 52  | 56  | 61  | 63  | 69  | 77  | 82  | 90  | 96  | 103 | 109 | 116 | 122 |  |
| Round-Corner Valance                | 30   | 45 | 51  | 61  | 65  | 68  | 70  | 82  | 90  | 93  | 104 | 109 | 118 | 126 | 136 | 144 |  |
| Double Round-Corner Valance         | 60   | 90 | 102 | 122 | 130 | 136 | 140 | 164 | 180 | 186 | 208 | 218 | 236 | 252 | 272 | 288 |  |

One Touch<sup>®</sup> Control outlined in the chart above. Maximum overall blind size is 10,080 square inches (6.5 m<sup>2</sup>) (w x h). Available at no charge.

| <b>Price Group C: Stay Clear<sup>™</sup> Channel Panel Surcharges</b> |                           |              |               |               |               |               |               |                |                |                |                |                |                |                |                |                |                |              |
|---|---------------------------|--------------|---------------|---------------|---------------|---------------|---------------|----------------|----------------|----------------|----------------|----------------|----------------|----------------|----------------|----------------|----------------|--------------|
| Width up to inches (cm) →   | Width up to inches (cm) → |              |               |               |               |               |               |                |                |                |                |                |                |                |                |                |                | Replmt Vanes |
|   | 25<br>(63.5)              | 38<br>(96.6) | 50<br>(127.0) | 63<br>(160.1) | 75<br>(190.5) | 85<br>(215.9) | 88<br>(223.6) | 100<br>(254.0) | 113<br>(287.1) | 120<br>(304.8) | 132<br>(335.3) | 144<br>(365.8) | 154<br>(391.2) | 164<br>(416.6) | 174<br>(442.0) | 184<br>(467.4) | 191<br>(485.2) |              |
| Channel Panel   | \$41                      | 67           | 117           | 150           | 167           | 191           | 219           | 233            | 255            | 272            | 305            | 325            | 347            | 368            | 389            | 411            | 433            | 6            |

| <b>Colors</b>               |                            |                          |                          |                               |                          |
|-----------------------------|----------------------------|--------------------------|--------------------------|-------------------------------|--------------------------|
| Vinyl                       |                            | S-Shaped Linen S*        |                          | Fabric                        |                          |
| Homespun II*                | Rapture*                   | Baskerville              | Harmony <sup>o</sup>     | Brighton <sup>o</sup>         | Sheffield <sup>o</sup>   |
| Beach . . . . . 9113        | Bleach . . . . . 3612      | Caffeine . . . . . 0393  | Cityscape . . . . . 0232 | Bark . . . . . 4205           | Chelsea . . . . . 0201   |
| Butterscotch . . . . . 9112 | Heather . . . . . 3610     | Gouda . . . . . 0392     | Glacial . . . . . 0233   | Bone . . . . . 4222           | Eclipse . . . . . 0205   |
| Chocolate . . . . . 9114    | Steel . . . . . 3614       | Havarti . . . . . 0390   | Pebble . . . . . 0230    | Graham Cracker . . . . . 4203 | Henley . . . . . 0202    |
| Ivory . . . . . 9111        |                            | Provolone . . . . . 0391 | Tassel . . . . . 0231    | Platinum . . . . . 4250       | Meadow . . . . . 0207    |
|                             | <b>Satin Stripe</b>        |                          |                          | Sugar Maple . . . . . 4202    | Tuscon . . . . . 0204    |
|                             | Imperial . . . . . 9489    |                          |                          | Toast . . . . . 4282          | Weathered . . . . . 0206 |
|                             | Ivory . . . . . 9480       |                          |                          | Tundra . . . . . 4201         | Windsor . . . . . 0203   |
|                             | Sand . . . . . 9481        |                          |                          | White . . . . . 4219          |                          |
|                             | Silversmith . . . . . 9488 |                          |                          |                               |                          |
|                             | Snow . . . . . 9485        |                          |                          |                               |                          |
|                             |                            | <b>Quantum S</b>         |                          |                               |                          |
|                             |                            | Chevre . . . . . 3396    |                          |                               |                          |
|                             |                            | Cream . . . . . 3391     |                          |                               |                          |
|                             |                            | Model . . . . . 3395     |                          |                               |                          |
|                             |                            | Shipwreck . . . . . 3397 |                          |                               |                          |

\*Available in coordinating 2" (5.1 cm) horizontal vinyl blinds.  
<sup>o</sup>Available in coordinating Lake Forest<sup>®</sup> Faux Wood blinds.  
<sup>o</sup>Some selections are available in coordinating LightWeaves<sup>®</sup> Roller, FashionPleat<sup>®</sup> and EvenPleat<sup>®</sup> Shades.

# Price Charts

Fabric: Devon, Grasses, Tahiti Weave, Thatch  
 Vinyl: Chenille, Parallels, Safari\*  
 Vinyl S-Shaped: Homespun II S

## Price Group D: G-71 Super-Vue® and G-98 Ultra-Vue™

| Height up to inches (cm) | Width up to inches (cm) → |           |            |            |            |            |            |             |             |             |             |             |             |             |             |             | Replmt Vanes |             |
|--------------------------|---------------------------|-----------|------------|------------|------------|------------|------------|-------------|-------------|-------------|-------------|-------------|-------------|-------------|-------------|-------------|--------------|-------------|
|                          | 25 (63.5)                 | 38 (96.6) | 50 (127.0) | 63 (160.1) | 75 (190.5) | 85 (215.9) | 88 (223.6) | 100 (254.0) | 113 (287.1) | 120 (304.8) | 132 (335.3) | 144 (365.8) | 154 (391.2) | 164 (416.6) | 174 (442.0) | 184 (467.4) |              | 191 (485.2) |
| 48 (122.0)               | \$228                     | 282       | 345        | 395        | 454        | 497        | 510        | 580         | 632         | 659         | 726         | 775         | 829         | 883         | 937         | 991         | 1044         | 12          |
| 60 (152.4)               | 242                       | 304       | 369        | 417        | 477        | 524        | 541        | 613         | 665         | 695         | 769         | 819         | 878         | 934         | 992         | 1048        | 1107         | 14          |
| 72 (182.9)               | 258                       | 317       | 390        | 442        | 499        | 549        | 566        | 646         | 703         | 732         | 813         | 867         | 928         | 989         | 1048        | 1111        | 1172         | 14          |
| 84 (213.4)               | 268                       | 332       | 411        | 466        | 529        | 575        | 595        | 678         | 738         | 770         | 852         | 912         | 973         | 1037        | 1100        | 1163        | 1226         | 14          |
| 96 (243.9)               | 282                       | 349       | 430        | 488        | 558        | 606        | 626        | 711         | 773         | 808         | 894         | 956         | 1022        | 1085        | 1151        | 1218        | 1284         | 17          |
| 108 (274.4)              | 292                       | 366       | 451        | 510        | 583        | 638        | 654        | 746         | 807         | 847         | 935         | 999         | 1070        | 1140        | 1209        | 1278        | 1348         | 17          |
| 120 (304.8)              | 310                       | 385       | 476        | 541        | 617        | 676        | 690        | 787         | 847         | 884         | 979         | 1044        | 1117        | 1189        | 1261        | 1335        | 1407         | 18          |
| 132 (335.3)              | 317                       | 413       | 509        | 575        | 653        | 714        | 730        | 830         | 898         | 940         | 1043        | 1116        | 1193        | 1269        | 1346        | 1423        | 1500         | 19          |
| 144 (365.8)              | 326                       | 441       | 541        | 607        | 690        | 753        | 769        | 873         | 952         | 996         | 1109        | 1185        | 1266        | 1347        | 1428        | 1512        | 1592         | 20          |
| 156 (396.3)              | 333                       | 469       | 573        | 641        | 726        | 792        | 809        | 918         | 1004        | 1053        | 1174        | 1255        | 1341        | 1426        | 1514        | 1600        | 1684         | 21          |
| 168 (426.8)              | 341                       | 494       | 605        | 676        | 762        | 830        | 849        | 962         | 1057        | 1107        | 1237        | 1325        | 1414        | 1505        | 1596        | 1685        | 1777         | 22          |
| 180 (457.2)              | 348                       | 523       | 638        | 709        | 797        | 869        | 888        | 1005        | 1111        | 1163        | 1302        | 1394        | 1489        | 1584        | 1679        | 1774        | 1870         | 23          |
| 192 (487.7)              | 356                       | 549       | 670        | 743        | 832        | 907        | 929        | 1048        | 1163        | 1220        | 1366        | 1463        | 1564        | 1664        | 1763        | 1862        | 1962         | 24          |

### Add Surcharge to Blind Price

|                             |      |     |     |     |     |     |     |     |     |     |     |     |     |     |     |     |     |  |
|-----------------------------|------|-----|-----|-----|-----|-----|-----|-----|-----|-----|-----|-----|-----|-----|-----|-----|-----|--|
| Square-Corner Valance       | \$29 | 43  | 52  | 59  | 63  | 67  | 68  | 78  | 89  | 91  | 101 | 109 | 117 | 124 | 131 | 140 | 147 |  |
| Round-Corner Valance        | 34   | 52  | 59  | 67  | 72  | 77  | 84  | 93  | 100 | 104 | 117 | 124 | 133 | 142 | 151 | 159 | 167 |  |
| Double Round-Corner Valance | 68   | 104 | 118 | 134 | 144 | 154 | 168 | 186 | 200 | 208 | 234 | 248 | 266 | 284 | 302 | 318 | 334 |  |

## Price Group D: G-85 Dura-Vue®

| Height up to inches (cm) | Width up to inches (cm) → |           |            |            |            |            |            |             |             |             |             |             |             |             |             |              | Replmt Vanes |
|--------------------------|---------------------------|-----------|------------|------------|------------|------------|------------|-------------|-------------|-------------|-------------|-------------|-------------|-------------|-------------|--------------|--------------|
|                          | 25 (63.5)                 | 38 (96.6) | 50 (127.0) | 63 (160.1) | 75 (190.5) | 85 (215.9) | 88 (223.6) | 100 (254.0) | 113 (287.1) | 120 (304.8) | 132 (335.3) | 144 (365.8) | 154 (391.2) | 164 (416.6) | 174 (442.0) | 178¼ (454.1) |              |
| 48 (122.0)               | \$214                     | 264       | 316        | 358        | 410        | 444        | 453        | 517         | 560         | 585         | 641         | 685         | 735         | 781         | 830         | 878          | 12           |
| 60 (152.4)               | 229                       | 285       | 338        | 375        | 430        | 472        | 482        | 550         | 595         | 620         | 685         | 730         | 780         | 831         | 882         | 933          | 14           |
| 72 (182.9)               | 241                       | 299       | 360        | 401        | 453        | 496        | 510        | 579         | 631         | 655         | 728         | 775         | 829         | 883         | 937         | 990          | 14           |
| 84 (213.4)               | 254                       | 311       | 377        | 425        | 482        | 525        | 535        | 614         | 665         | 692         | 765         | 819         | 876         | 934         | 990         | 1048         | 14           |
| 96 (243.9)               | 267                       | 328       | 400        | 448        | 508        | 552        | 563        | 646         | 701         | 732         | 805         | 862         | 921         | 981         | 1041        | 1099         | 17           |
| 108 (274.4)              | 276                       | 343       | 418        | 472        | 534        | 584        | 594        | 678         | 734         | 765         | 851         | 905         | 969         | 1031        | 1094        | 1158         | 17           |
| 120 (304.8)              | 293                       | 365       | 444        | 499        | 565        | 619        | 630        | 718         | 772         | 803         | 894         | 950         | 1015        | 1082        | 1149        | 1214         | 18           |
| 132 (335.3)              | 300                       | 391       | 476        | 532        | 602        | 657        | 668        | 760         | 825         | 860         | 957         | 1018        | 1089        | 1160        | 1231        | 1302         | 19           |
| 144 (365.8)              | 308                       | 418       | 508        | 563        | 637        | 695        | 707        | 803         | 876         | 914         | 1019        | 1085        | 1161        | 1236        | 1311        | 1388         | 20           |

### Add Surcharge to Blind Price

|                             |      |     |     |     |     |     |     |     |     |     |     |     |     |     |     |     |  |
|-----------------------------|------|-----|-----|-----|-----|-----|-----|-----|-----|-----|-----|-----|-----|-----|-----|-----|--|
| Square-Corner Valance       | \$29 | 43  | 52  | 59  | 63  | 67  | 68  | 78  | 89  | 91  | 101 | 109 | 117 | 124 | 131 | 140 |  |
| Round-Corner Valance        | 34   | 52  | 59  | 67  | 72  | 77  | 84  | 93  | 100 | 104 | 117 | 124 | 133 | 142 | 151 | 159 |  |
| Double Round-Corner Valance | 68   | 104 | 118 | 134 | 144 | 154 | 168 | 186 | 200 | 208 | 234 | 248 | 266 | 284 | 302 | 318 |  |

One Touch® Control outlined in the chart above. Maximum overall blind size is 10,080 square inches (6.5 m²) (w x h). Available at no charge.

## Price Group D: Stay Clear™ Channel Panel Surcharges

| Width up to inches (cm) | 25 (63.5) | 38 (96.6) | 50 (127.0) | 63 (160.1) | 75 (190.5) | 85 (215.9) | 88 (223.6) | 100 (254.0) | 113 (287.1) | 120 (304.8) | 132 (335.3) | 144 (365.8) | 154 (391.2) | 164 (416.6) | 174 (442.0) | 184 (467.4) | 191 (485.2) | Replmt Vanes |
|-------------------------|-----------|-----------|------------|------------|------------|------------|------------|-------------|-------------|-------------|-------------|-------------|-------------|-------------|-------------|-------------|-------------|--------------|
| Channel Panel           | \$41      | 67        | 117        | 150        | 167        | 191        | 219        | 233         | 255         | 272         | 305         | 325         | 347         | 368         | 389         | 411         | 6           |              |

## Colors

| Vinyl                      |                            | S-Shaped Homespun II S  |                               | Fabric  |        |
|----------------------------|----------------------------|-------------------------|-------------------------------|---------|--------|
| Chenille                   | Safari*                    | Devon                   | Tahiti Weave                  | Grasses | Thatch |
| Aluminum . . . . . 6801    | Buffalo . . . . . 3640     | Abbot . . . . . 0032    | Autumn . . . . . 0455         |         |        |
| Chantarelle . . . . . 6802 | Hearthstone . . . . . 3648 | Newton . . . . . 0033   | Basket Weave . . . . . 0453   |         |        |
| Cream . . . . . 6791       | Moccasin . . . . . 3643    | Plymouth . . . . . 0030 | Bourbon . . . . . 0451        |         |        |
| Filigree . . . . . 6799    | Quarry . . . . . 3647      | Torbay . . . . . 0031   | Hudson . . . . . 0450         |         |        |
| Off White . . . . . 6790   | Stormy Sage . . . . . 3646 |                         | Tortoise Shell . . . . . 0454 |         |        |
| Syrah . . . . . 6800       |                            |                         |                               |         |        |
| Parallels                  |                            |                         |                               |         |        |
| Amaretto . . . . . 6952    |                            |                         |                               |         |        |
| Mesa . . . . . 6950        |                            |                         |                               |         |        |
| Spice . . . . . 6951       |                            |                         |                               |         |        |
| Waterloo . . . . . 6953    |                            |                         |                               |         |        |

\*Available in coordinating 2" (5.1 cm) horizontal vinyl blinds.



## Price Charts

Fabric: Allure®, Royale®, Strings, Tuvalu®, Urban Loft

Vinyl: Acropolis, Coronation\*, Kensington\*

Vinyl S-Shaped: Georgetown S\*

### Price Group E: G-71 Super-Vue® and G-98 Ultra-Vue™

| Height up to inches (cm) ↓ | Width up to inches (cm) → |           |            |            |            |            |            |             |             |             |             |             |             |             |             |             |             | Replmt Vanes |
|----------------------------|---------------------------|-----------|------------|------------|------------|------------|------------|-------------|-------------|-------------|-------------|-------------|-------------|-------------|-------------|-------------|-------------|--------------|
|                            | 25 (63.5)                 | 38 (96.6) | 50 (127.0) | 63 (160.1) | 75 (190.5) | 85 (215.9) | 88 (223.6) | 100 (254.0) | 113 (287.1) | 120 (304.8) | 132 (335.3) | 144 (365.8) | 154 (391.2) | 164 (416.6) | 174 (442.0) | 184 (467.4) | 191 (485.2) |              |
| 48 (122.0)                 | \$253                     | 312       | 382        | 438        | 502        | 551        | 564        | 641         | 699         | 730         | 803         | 858         | 918         | 977         | 1038        | 1097        | 1155        | 14           |
| 60 (152.4)                 | 267                       | 336       | 408        | 461        | 528        | 580        | 598        | 678         | 737         | 769         | 851         | 907         | 971         | 1034        | 1098        | 1161        | 1225        | 16           |
| 72 (182.9)                 | 284                       | 350       | 431        | 490        | 553        | 607        | 628        | 714         | 777         | 810         | 900         | 960         | 1027        | 1094        | 1161        | 1230        | 1296        | 20           |
| 84 (213.4)                 | 298                       | 368       | 455        | 516        | 586        | 636        | 658        | 750         | 816         | 852         | 942         | 1009        | 1077        | 1147        | 1218        | 1287        | 1357        | 20           |
| 96 (243.9)                 | 312                       | 387       | 476        | 540        | 617        | 671        | 693        | 788         | 855         | 895         | 988         | 1058        | 1130        | 1202        | 1275        | 1347        | 1419        | 25           |
| 108 (274.4)                | 323                       | 404       | 499        | 564        | 644        | 706        | 723        | 826         | 893         | 936         | 1036        | 1106        | 1183        | 1260        | 1339        | 1415        | 1494        | 28           |
| 120 (304.8)                | 342                       | 426       | 527        | 598        | 684        | 748        | 763        | 870         | 936         | 978         | 1084        | 1155        | 1236        | 1317        | 1397        | 1477        | 1557        | 29           |
| 132 (335.3)                | 350                       | 457       | 563        | 636        | 722        | 792        | 808        | 919         | 993         | 1041        | 1154        | 1235        | 1320        | 1406        | 1490        | 1575        | 1661        | 30           |
| 144 (365.8)                | 361                       | 488       | 598        | 672        | 763        | 833        | 851        | 967         | 1053        | 1102        | 1226        | 1311        | 1401        | 1491        | 1582        | 1673        | 1763        | 31           |
| 156 (396.3)                | 369                       | 518       | 635        | 710        | 803        | 877        | 896        | 1015        | 1111        | 1166        | 1300        | 1390        | 1484        | 1578        | 1675        | 1770        | 1866        | 32           |
| 168 (426.8)                | 378                       | 547       | 670        | 748        | 844        | 919        | 939        | 1065        | 1170        | 1225        | 1370        | 1465        | 1566        | 1665        | 1767        | 1867        | 1965        | 33           |
| 180 (457.2)                | 386                       | 579       | 706        | 785        | 882        | 962        | 984        | 1112        | 1230        | 1287        | 1442        | 1542        | 1647        | 1752        | 1858        | 1963        | 2069        | 34           |
| 192 (487.7)                | 393                       | 607       | 742        | 822        | 922        | 1005       | 1028       | 1161        | 1287        | 1349        | 1513        | 1620        | 1731        | 1841        | 1951        | 2062        | 2172        | 35           |

| Add Surcharge to Blind Price |      |     |     |     |     |     |     |     |     |     |     |     |     |     |     |     |     |
|------------------------------|------|-----|-----|-----|-----|-----|-----|-----|-----|-----|-----|-----|-----|-----|-----|-----|-----|
| Square-Corner Valance        | \$32 | 49  | 58  | 67  | 70  | 76  | 81  | 87  | 98  | 102 | 114 | 120 | 129 | 138 | 146 | 155 | 164 |
| Round-Corner Valance         | 36   | 56  | 67  | 76  | 81  | 87  | 90  | 102 | 113 | 116 | 131 | 140 | 149 | 159 | 170 | 179 | 189 |
| Double Round-Corner Valance  | 72   | 112 | 134 | 152 | 162 | 174 | 180 | 204 | 226 | 232 | 262 | 280 | 298 | 318 | 340 | 358 | 378 |

### Price Group E: G-85 Dura-Vue®

| Height up to inches (cm) ↓ | Width up to inches (cm) → |           |            |            |            |            |            |             |             |             |             |             |             |             |             |              |    | Replmt Vanes |
|----------------------------|---------------------------|-----------|------------|------------|------------|------------|------------|-------------|-------------|-------------|-------------|-------------|-------------|-------------|-------------|--------------|----|--------------|
|                            | 25 (63.5)                 | 38 (96.6) | 50 (127.0) | 63 (160.1) | 75 (190.5) | 85 (215.9) | 88 (223.6) | 100 (254.0) | 113 (287.1) | 120 (304.8) | 132 (335.3) | 144 (365.8) | 154 (391.2) | 164 (416.6) | 174 (442.0) | 178¼ (454.1) |    |              |
| 48 (122.0)                 | \$235                     | 290       | 347        | 393        | 449        | 489        | 498        | 568         | 615         | 643         | 705         | 753         | 807         | 860         | 913         | 965          | 14 |              |
| 60 (152.4)                 | 252                       | 314       | 372        | 413        | 473        | 519        | 531        | 604         | 654         | 682         | 753         | 801         | 859         | 914         | 970         | 1025         | 16 |              |
| 72 (182.9)                 | 265                       | 328       | 395        | 440        | 498        | 545        | 560        | 636         | 692         | 720         | 800         | 852         | 911         | 971         | 1029        | 1089         | 20 |              |
| 84 (213.4)                 | 280                       | 340       | 416        | 467        | 531        | 577        | 588        | 674         | 731         | 761         | 842         | 901         | 962         | 1026        | 1089        | 1152         | 20 |              |
| 96 (243.9)                 | 294                       | 360       | 439        | 493        | 558        | 607        | 619        | 709         | 771         | 805         | 884         | 948         | 1013        | 1078        | 1144        | 1208         | 25 |              |
| 108 (274.4)                | 303                       | 378       | 458        | 519        | 587        | 642        | 653        | 745         | 806         | 842         | 935         | 994         | 1065        | 1134        | 1202        | 1273         | 28 |              |
| 120 (304.8)                | 321                       | 401       | 489        | 548        | 622        | 681        | 691        | 789         | 849         | 883         | 982         | 1043        | 1116        | 1189        | 1262        | 1335         | 29 |              |
| 132 (335.3)                | 329                       | 429       | 524        | 585        | 661        | 722        | 735        | 835         | 906         | 944         | 1050        | 1119        | 1197        | 1275        | 1353        | 1430         | 30 |              |
| 144 (365.8)                | 338                       | 458       | 558        | 619        | 700        | 764        | 777        | 883         | 962         | 1005        | 1120        | 1193        | 1276        | 1359        | 1442        | 1524         | 31 |              |

| Add Surcharge to Blind Price |      |     |     |     |     |     |     |     |     |     |     |     |     |     |     |     |  |
|------------------------------|------|-----|-----|-----|-----|-----|-----|-----|-----|-----|-----|-----|-----|-----|-----|-----|--|
| Square-Corner Valance        | \$32 | 49  | 58  | 67  | 70  | 76  | 81  | 87  | 98  | 102 | 114 | 120 | 129 | 138 | 146 | 155 |  |
| Round-Corner Valance         | 36   | 56  | 67  | 76  | 81  | 87  | 90  | 102 | 113 | 116 | 131 | 140 | 149 | 159 | 170 | 179 |  |
| Double Round-Corner Valance  | 72   | 112 | 134 | 152 | 162 | 174 | 180 | 204 | 226 | 232 | 262 | 280 | 298 | 318 | 340 | 358 |  |

One Touch® Control outlined in the chart above. Maximum overall blind size is 10,080 square inches (6.5 m²) (w x h). Available at no charge.

### Price Group E: Stay Clear™ Channel Panel Surcharges

| Width up to inches (cm) → |           |           |            |            |            |            |            |             |             |             |             |             |             |             |             |             |             | Replmt Vanes |
|---------------------------|-----------|-----------|------------|------------|------------|------------|------------|-------------|-------------|-------------|-------------|-------------|-------------|-------------|-------------|-------------|-------------|--------------|
|                           | 25 (63.5) | 38 (96.6) | 50 (127.0) | 63 (160.1) | 75 (190.5) | 85 (215.9) | 88 (223.6) | 100 (254.0) | 113 (287.1) | 120 (304.8) | 132 (335.3) | 144 (365.8) | 154 (391.2) | 164 (416.6) | 174 (442.0) | 184 (467.4) | 191 (485.2) |              |
| Channel Panel             | \$41      | 67        | 117        | 150        | 167        | 191        | 219        | 233         | 255         | 272         | 305         | 325         | 347         | 368         | 389         | 411         | 433         | 6            |

### Colors

| Vinyl  | S-Shaped   | Fabric  |
|--|--|---|
| <b>Acropolis</b><br>Laurel Wreath . . . 3134<br>Olive Oil . . . . . 3132<br>Olympus . . . . . 3130<br>Parthenon . . . . . 3133<br>Poseidon . . . . . 3131<br><br><b>Coronation*</b><br>Decree . . . . . 3751<br>Princess . . . . . 3750<br>Proclamation . . . 3752<br>Royal Coach . . . 3753<br>Sceptre . . . . . 3754 | <b>Kensington*</b><br>Bellhop . . . . . 3255<br>Fresh Linens . . . 3250<br>Passport . . . . . 3252<br>Room Key . . . . . 3253<br>Titanium . . . . . 3254<br><br><b>Georgetown S*</b><br>Capitol Hill . . . . 6698<br>Flax . . . . . 6697<br>National Mall . . . 6699<br>Smithsonian . . . . 6700<br>Tawny . . . . . 6693<br>White . . . . . 6691 | <b>Allure®</b><br>Fog . . . . . 0511<br>Glimmer . . . . . 0512<br>Latte . . . . . 0513<br>Still Water . . . . . 0514<br>Titanium . . . . . 0510<br><br><b>Royale®</b><br>Granite . . . . . 0431<br>Ivory . . . . . 0430<br>Rapture . . . . . 0434<br>Saddle . . . . . 0433<br>Storm . . . . . 0432<br><br><b>Strings</b><br>Delicate . . . . . 4750<br>Parfait . . . . . 4751<br>Urban Mist . . . . 4753<br>Winsome . . . . . 4752<br><br><b>Tuvalu®</b><br>Cream Caramel . . 0440<br>Cream Silk . . . . 0441<br>French Silk . . . . 0442<br><br><b>Urban Loft</b><br>Ductwork . . . . . 0380<br>Exposed Brick . . 0382<br>Rooftop . . . . . 0383<br>Skyline . . . . . 0381 |

\*Available in coordinating 2" (5.1 cm) horizontal vinyl blinds.

°Some selections are available in coordinating LightWeaves® Roller, FashionPleat® and EvenPleat® Shades.

# Price Charts

Fabric: Compass, Crossweave®, Network, Prescott

## Price Group F: G-71 Super-Vue® and G-98 Ultra-Vue™

| Height up to inches (cm) ↓ | Width up to inches (cm) → |           |            |            |            |            |            |             |             |             |             |             |             |             |             |             |             | Replmt Vanes |
|----------------------------|---------------------------|-----------|------------|------------|------------|------------|------------|-------------|-------------|-------------|-------------|-------------|-------------|-------------|-------------|-------------|-------------|--------------|
|                            | 25 (63.5)                 | 38 (96.6) | 50 (127.0) | 63 (160.1) | 75 (190.5) | 85 (215.9) | 88 (223.6) | 100 (254.0) | 113 (287.1) | 120 (304.8) | 132 (335.3) | 144 (365.8) | 154 (391.2) | 164 (416.6) | 174 (442.0) | 184 (467.4) | 191 (485.2) |              |
| 48 (122.0)                 | \$283                     | 354       | 429        | 494        | 564        | 618        | 635        | 721         | 788         | 818         | 905         | 965         | 1031        | 1098        | 1164        | 1231        | 1297        | 19           |
| 60 (152.4)                 | 303                       | 378       | 460        | 515        | 595        | 652        | 672        | 763         | 828         | 865         | 956         | 1019        | 1090        | 1160        | 1232        | 1303        | 1374        | 21           |
| 72 (182.9)                 | 319                       | 394       | 483        | 548        | 624        | 684        | 704        | 801         | 873         | 912         | 1012        | 1079        | 1153        | 1229        | 1303        | 1377        | 1452        | 23           |
| 84 (213.4)                 | 335                       | 413       | 509        | 580        | 658        | 717        | 738        | 845         | 917         | 959         | 1062        | 1134        | 1212        | 1290        | 1367        | 1446        | 1523        | 24           |
| 96 (243.9)                 | 354                       | 435       | 535        | 606        | 693        | 754        | 778        | 884         | 962         | 1006        | 1111        | 1187        | 1269        | 1352        | 1436        | 1518        | 1601        | 31           |
| 108 (274.4)                | 365                       | 453       | 561        | 635        | 725        | 795        | 814        | 928         | 1003        | 1052        | 1164        | 1246        | 1332        | 1418        | 1506        | 1593        | 1680        | 33           |
| 120 (304.8)                | 385                       | 481       | 591        | 672        | 767        | 842        | 858        | 979         | 1052        | 1101        | 1220        | 1300        | 1390        | 1481        | 1571        | 1662        | 1752        | 36           |
| 132 (335.3)                | 395                       | 514       | 633        | 714        | 812        | 888        | 911        | 1035        | 1116        | 1171        | 1300        | 1388        | 1484        | 1580        | 1677        | 1773        | 1870        | 37           |
| 144 (365.8)                | 407                       | 548       | 671        | 756        | 856        | 938        | 960        | 1090        | 1182        | 1238        | 1381        | 1476        | 1576        | 1679        | 1782        | 1884        | 1985        | 38           |
| 156 (396.3)                | 416                       | 581       | 711        | 797        | 901        | 987        | 1012       | 1145        | 1248        | 1306        | 1462        | 1565        | 1674        | 1783        | 1891        | 2000        | 2109        | 39           |
| 168 (426.8)                | 424                       | 616       | 749        | 842        | 948        | 1036       | 1064       | 1200        | 1310        | 1376        | 1544        | 1654        | 1768        | 1883        | 1997        | 2112        | 2226        | 40           |
| 180 (457.2)                | 434                       | 649       | 790        | 883        | 991        | 1083       | 1115       | 1256        | 1376        | 1447        | 1624        | 1741        | 1860        | 1981        | 2102        | 2222        | 2342        | 41           |
| 192 (487.7)                | 443                       | 683       | 828        | 924        | 1036       | 1134       | 1165       | 1310        | 1443        | 1516        | 1708        | 1827        | 1954        | 2079        | 2206        | 2332        | 2457        | 46           |

### Add Surcharge to Blind Price

|                             |      |     |     |     |     |     |     |     |     |     |     |     |     |     |     |     |     |
|-----------------------------|------|-----|-----|-----|-----|-----|-----|-----|-----|-----|-----|-----|-----|-----|-----|-----|-----|
| Square-Corner Valance       | \$40 | 61  | 72  | 85  | 87  | 95  | 98  | 110 | 121 | 123 | 142 | 149 | 159 | 170 | 179 | 189 | 198 |
| Round-Corner Valance        | 45   | 69  | 85  | 95  | 101 | 110 | 112 | 123 | 141 | 144 | 161 | 174 | 186 | 197 | 210 | 222 | 233 |
| Double Round-Corner Valance | 90   | 138 | 170 | 190 | 202 | 220 | 224 | 246 | 282 | 288 | 322 | 348 | 372 | 394 | 420 | 444 | 466 |

## Price Group F: G-85 Dura-Vue®

| Height up to inches (cm) ↓ | Width up to inches (cm) → |           |            |            |            |            |            |             |             |             |             |             |             |             |             |              | Replmt Vanes |
|----------------------------|---------------------------|-----------|------------|------------|------------|------------|------------|-------------|-------------|-------------|-------------|-------------|-------------|-------------|-------------|--------------|--------------|
|                            | 25 (63.5)                 | 38 (96.6) | 50 (127.0) | 63 (160.1) | 75 (190.5) | 85 (215.9) | 88 (223.6) | 100 (254.0) | 113 (287.1) | 120 (304.8) | 132 (335.3) | 144 (365.8) | 154 (391.2) | 164 (416.6) | 174 (442.0) | 178% (454.1) |              |
| 48 (122.0)                 | \$266                     | 330       | 394        | 444        | 509        | 552        | 564        | 642         | 697         | 727         | 798         | 854         | 914         | 975         | 1036        | 1096         | 19           |
| 60 (152.4)                 | 285                       | 353       | 421        | 467        | 535        | 586        | 601        | 684         | 740         | 773         | 854         | 907         | 971         | 1034        | 1096        | 1160         | 21           |
| 72 (182.9)                 | 302                       | 371       | 446        | 499        | 564        | 617        | 634        | 721         | 784         | 816         | 904         | 965         | 1029        | 1096        | 1164        | 1230         | 23           |
| 84 (213.4)                 | 316                       | 387       | 472        | 527        | 601        | 651        | 667        | 764         | 828         | 863         | 954         | 1019        | 1090        | 1161        | 1232        | 1303         | 24           |
| 96 (243.9)                 | 332                       | 408       | 497        | 559        | 633        | 686        | 703        | 802         | 871         | 909         | 1005        | 1074        | 1148        | 1222        | 1296        | 1371         | 31           |
| 108 (274.4)                | 343                       | 428       | 520        | 586        | 666        | 726        | 739        | 846         | 911         | 954         | 1058        | 1126        | 1203        | 1282        | 1358        | 1436         | 33           |
| 120 (304.8)                | 365                       | 454       | 552        | 620        | 704        | 772        | 782        | 894         | 962         | 1003        | 1111        | 1182        | 1265        | 1347        | 1430        | 1514         | 36           |
| 132 (335.3)                | 373                       | 488       | 591        | 661        | 749        | 819        | 832        | 949         | 1024        | 1071        | 1190        | 1269        | 1357        | 1447        | 1535        | 1624         | 37           |
| 144 (365.8)                | 383                       | 522       | 632        | 703        | 792        | 867        | 884        | 1003        | 1088        | 1136        | 1271        | 1353        | 1448        | 1542        | 1637        | 1731         | 38           |

### Add Surcharge to Blind Price

|                             |      |     |     |     |     |     |     |     |     |     |     |     |     |     |     |     |
|-----------------------------|------|-----|-----|-----|-----|-----|-----|-----|-----|-----|-----|-----|-----|-----|-----|-----|
| Square-Corner Valance       | \$40 | 61  | 72  | 85  | 87  | 95  | 98  | 110 | 121 | 123 | 142 | 149 | 159 | 170 | 179 | 189 |
| Round-Corner Valance        | 45   | 69  | 85  | 95  | 101 | 110 | 112 | 123 | 141 | 144 | 161 | 174 | 186 | 197 | 210 | 222 |
| Double Round-Corner Valance | 90   | 138 | 170 | 190 | 202 | 220 | 224 | 246 | 282 | 288 | 322 | 348 | 372 | 394 | 420 | 444 |

One Touch® Control outlined in the chart above. Maximum overall blind size is 10,080 square inches (6.5 m²) (w x h). Available at no charge.

## Price Group F: Stay Clear™ Channel Panel Surcharges

| Width up to inches (cm) → | 25 (63.5) | 38 (96.6) | 50 (127.0) | 63 (160.1) | 75 (190.5) | 85 (215.9) | 88 (223.6) | 100 (254.0) | 113 (287.1) | 120 (304.8) | 132 (335.3) | 144 (365.8) | 154 (391.2) | 164 (416.6) | 174 (442.0) | 184 (467.4) | 191 (485.2) | Replmt Vanes |
|---------------------------|-----------|-----------|------------|------------|------------|------------|------------|-------------|-------------|-------------|-------------|-------------|-------------|-------------|-------------|-------------|-------------|--------------|
| Channel Panel             | \$41      | 67        | 117        | 150        | 167        | 191        | 219        | 233         | 255         | 272         | 305         | 325         | 347         | 368         | 389         | 411         | 6           |              |

## Colors

|            |         | Fabric        |         |             |      |
|------------|---------|---------------|---------|-------------|------|
|            | Compass | Crossweave®   | Network | Prescott    |      |
| Due North  | 0072    | Beechwood     | 2510    | Medallion   | 0372 |
| South Seas | 0071    | Brick         | 2504    | Quicksilver | 0371 |
| True West  | 0070    | Tahiti        | 2512    | Seashell    | 0370 |
|            |         | Thatched Roof | 2513    |             |      |
|            |         |               |         | Dune        | 0172 |
|            |         |               |         | Fossil      | 0171 |
|            |         |               |         | Mirage      | 0170 |

\*Some selections are available in coordinating LightWeaves® Roller, FashionPleat®, and EvenPleat® Shades.

# Price Charts

## Price Group G: Sheer Vertical Blinds: Gossamer<sup>§</sup>, Highlight<sup>§</sup>

| Height up to inches (cm) ↓          | Width up to inches (cm) → |           |            |            |            |            |            |             |             |             |             |             |             | Replmt Vanes |
|-------------------------------------|---------------------------|-----------|------------|------------|------------|------------|------------|-------------|-------------|-------------|-------------|-------------|-------------|--------------|
|                                     | 25 (63.5)                 | 38 (96.6) | 51 (129.6) | 63 (160.1) | 76 (193.1) | 85 (215.9) | 88 (223.6) | 101 (256.6) | 120 (304.8) | 144 (365.8) | 170 (431.8) | 178 (452.2) | 191 (485.2) |              |
| 48 (122.0)                          | \$844                     | 1030      | 1258       | 1495       | 1679       | 1937       | 1969       | 2191        | 2437        | 2769        | 3625        | 3833        | 4111        | 2            |
| 60 (152.4)                          | 917                       | 1244      | 1410       | 1592       | 1811       | 1969       | 2005       | 2220        | 2613        | 3127        | 3760        | 3973        | 4243        | 5            |
| 72 (182.9)                          | 964                       | 1258      | 1426       | 1607       | 1832       | 1985       | 2073       | 2324        | 2694        | 3213        | 3792        | 4006        | 4281        | 5            |
| 84 (213.4)                          | 979                       | 1277      | 1447       | 1630       | 1848       | 2005       | 2089       | 2346        | 2746        | 3430        | 3826        | 4043        | 4325        | 5            |
| 96 (243.9)                          | 988                       | 1301      | 1469       | 1653       | 1872       | 2028       | 2111       | 2367        | 2815        | 3485        | 3863        | 4078        | 4358        | 5            |
| 104 (264.2)                         | 1004                      | 1306      | 1483       | 1671       | 1890       | 2046       | 2130       | 2381        | 2885        | 3541        | 3890        | 4109        | 4386        | 7            |
| <b>Add Surcharge to Blind Price</b> |                           |           |            |            |            |            |            |             |             |             |             |             |             |              |
| Round-Corner Valance                | \$49                      | 76        | 93         | 105        | 111        | 121        | 124        | 136         | 159         | 191         | 231         | 244         | 257         |              |
| Double Round-Corner Valance         | 98                        | 152       | 186        | 210        | 222        | 242        | 248        | 272         | 318         | 382         | 462         | 488         | 514         |              |

NOTE: Dauphine<sup>®</sup> valance is available at no charge.

## Colors

### Sheer

#### Gossamer<sup>§</sup>

Champagne . . . . . 1720  
 Parchment . . . . . 1722  
 Snowstone . . . . . 1724  
 White . . . . . 1725

#### Highlight<sup>§</sup>

Champagne . . . . . 1740  
 Snowstone . . . . . 1742  
 White . . . . . 1741

## Price Group H: Sheer Vertical Blinds: Bengali<sup>§</sup>, Cascade<sup>§</sup>, Dijon

| Height up to inches (cm) ↓          | Width up to inches (cm) → |           |            |            |            |            |            |             |             |             |             |             |             | Replmt Vanes |
|-------------------------------------|---------------------------|-----------|------------|------------|------------|------------|------------|-------------|-------------|-------------|-------------|-------------|-------------|--------------|
|                                     | 25 (63.5)                 | 38 (96.6) | 51 (129.6) | 63 (160.1) | 76 (193.1) | 85 (215.9) | 88 (223.6) | 101 (256.6) | 120 (304.8) | 144 (365.8) | 170 (431.8) | 178 (452.2) | 191 (485.2) |              |
| 48 (122.0)                          | \$965                     | 1174      | 1435       | 1707       | 1915       | 2208       | 2245       | 2496        | 2778        | 3152        | 4133        | 4370        | 4683        | 2            |
| 60 (152.4)                          | 1048                      | 1422      | 1612       | 1814       | 2066       | 2245       | 2282       | 2530        | 2978        | 3564        | 4289        | 4531        | 4836        | 5            |
| 72 (182.9)                          | 1102                      | 1438      | 1629       | 1832       | 2087       | 2264       | 2362       | 2649        | 3075        | 3662        | 4327        | 4568        | 4884        | 5            |
| 84 (213.4)                          | 1119                      | 1462      | 1652       | 1860       | 2110       | 2282       | 2383       | 2674        | 3132        | 3915        | 4363        | 4609        | 4931        | 5            |
| 96 (243.9)                          | 1130                      | 1486      | 1676       | 1883       | 2136       | 2316       | 2407       | 2700        | 3212        | 3975        | 4404        | 4652        | 4973        | 5            |
| 104 (264.2)                         | 1152                      | 1492      | 1695       | 1909       | 2157       | 2335       | 2430       | 2717        | 3295        | 4042        | 4433        | 4685        | 5002        | 7            |
| <b>Add Surcharge to Blind Price</b> |                           |           |            |            |            |            |            |             |             |             |             |             |             |              |
| Round-Corner Valance                | \$51                      | 81        | 98         | 110        | 117        | 127        | 130        | 142         | 167         | 200         | 243         | 257         | 269         |              |
| Double Round-Corner Valance         | 102                       | 162       | 196        | 220        | 234        | 254        | 260        | 284         | 334         | 400         | 486         | 514         | 538         |              |

NOTE: Dauphine<sup>®</sup> valance is available at no charge.

## Colors

### Sheer

#### Bengali<sup>§</sup>

Jute . . . . . 2760

#### Cascade<sup>§</sup>

Champagne . . . . . 2080

#### Dijon

Downey . . . . . 2221  
 Extra White . . . . . 2220  
 Stucco . . . . . 2222

<sup>§</sup>Available in coordinating Graber<sup>®</sup> Artisan.

## Options Pricing

| Options Pricing  |   |
|--|---|
| Vertical Blind Options   | Surcharge   |
| Angled Window Blind  | Price from G-71 charts using angle width and longest height, and add \$420                        |
| Angled Window Headrail   | Price from G-71 charts using angle width, and add \$420   |
| Bay and Corner Window  | No charge   |
| Bottom Chain and Clips (fabric)                                | \$45  |
| Bottom Chain (vinyl)   | \$45  |
| Curved Blind   | Price from G-71 charts; use a flexible ruler to measure curve width and height, and add surcharge |
| Curved Headrail  | Price as G-71 headrail; use a flexible ruler to measure curve width and add surcharge             |
| Cut-Outs   | \$67  |
| Double Round-Corner Valance                                    | See price charts for surcharge  |
| Headrail Pricing   | See headrail pricing  |
| One Touch® Control   | No charge   |
| Paired Blinds  | Price as two blinds and add together; no surcharge  |
| Projection Brackets: 4 <sup>3</sup> / <sub>8</sub> " (11.2 cm) | No charge   |
| Round-Corner Valance   | See price charts for surcharge  |
| Square-Corner Valance  | See price charts for surcharge  |
| Stacking Options   | Center/uneven stack: \$42 per blind; opposite stack: \$42 per blind                               |
| Stay Clear™ Channel Panels                                     | See price charts for surcharge  |
| Vane Replacements  | See price charts  |
| Wood Cornices and Valances                                     | See cornice and valances price list for pricing information                                       |
| Sheer Vertical Blind Options                                   | Surcharge   |
| Bay and Corner Window  | No charge   |
| Cut Yardage  | Gossamer, Highlight: \$53 per yard<br>Bengali, Cascade, Dijon: \$106 per yard                     |
| Dauphine® Valance  | No charge   |
| Double Round-Corner Valance                                    | See price charts for surcharge  |
| Paired Blinds  | Price as two separate blinds and add together   |
| Round-Corner Valance   | See price charts for surcharge  |
| Vane Replacement   | See price charts  |
| Wood Cornices and Valances                                     | See cornice and valance price list for pricing information  |

## Options Pricing

### Vertical Blinds: Headrail Pricing

|                           |              |              |               |               |               |               |               |                |                |                |                |                |                |                |                |                |
|---------------------------|--------------|--------------|---------------|---------------|---------------|---------------|---------------|----------------|----------------|----------------|----------------|----------------|----------------|----------------|----------------|----------------|
| Width up to inches (cm) → | 25<br>(63.5) | 38<br>(96.6) | 50<br>(127.0) | 63<br>(160.1) | 75<br>(190.5) | 85<br>(215.9) | 88<br>(223.6) | 100<br>(254.0) | 113<br>(287.1) | 120<br>(304.8) | 132<br>(335.3) | 144<br>(365.8) | 158<br>(401.4) | 170<br>(431.8) | 177<br>(449.6) | 191<br>(485.2) |
|---------------------------|--------------|--------------|---------------|---------------|---------------|---------------|---------------|----------------|----------------|----------------|----------------|----------------|----------------|----------------|----------------|----------------|

### 3½" (8.9 cm) Spacing for G-71 Super-Vue® and G-98 Ultra-Vue™ (Headrail Only, No Vanes)

|                        |      |     |     |     |     |     |     |     |     |     |     |     |     |     |     |     |
|------------------------|------|-----|-----|-----|-----|-----|-----|-----|-----|-----|-----|-----|-----|-----|-----|-----|
| G-71 and G-98 Headrail | \$75 | 116 | 153 | 193 | 228 | 261 | 269 | 306 | 343 | 369 | 404 | 439 | 477 | 517 | 533 | 582 |
|------------------------|------|-----|-----|-----|-----|-----|-----|-----|-----|-----|-----|-----|-----|-----|-----|-----|

### 3½" (8.9 cm) Spacing for G-85 Dura-Vue® (Headrail Only, No Vanes)

|               |      |    |     |     |     |     |     |     |     |     |     |     |     |     |     |
|---------------|------|----|-----|-----|-----|-----|-----|-----|-----|-----|-----|-----|-----|-----|-----|
| G-85 Headrail | \$64 | 99 | 125 | 156 | 182 | 207 | 211 | 242 | 272 | 294 | 320 | 350 | 375 | 409 | 420 |
|---------------|------|----|-----|-----|-----|-----|-----|-----|-----|-----|-----|-----|-----|-----|-----|

**NOTE:** Valance not included with replacement headrail. Must be ordered separately. See individual price chart for ordering.

Replacement headrails include installation hardware.

\*Dura-Vue Maximum size 178¾" (454.1 cm)

### Vertical Blinds: Curved Headrail Surcharge

|                           |               |               |               |               |                |                |                |                |                |                |                |
|---------------------------|---------------|---------------|---------------|---------------|----------------|----------------|----------------|----------------|----------------|----------------|----------------|
| Width up to inches (cm) → | 63<br>(160.1) | 75<br>(190.5) | 85<br>(215.9) | 88<br>(223.6) | 100<br>(254.0) | 113<br>(287.1) | 120<br>(304.8) | 132<br>(335.3) | 144<br>(365.8) | 158<br>(401.4) | 168<br>(426.8) |
| Surcharge                 | \$256         | 301           | 337           | 349           | 394            | 440            | 465            | 508            | 557            | 599            | 644            |

To determine price: price as a G-71 headrail.

### Sheer Vertical Blinds: Replacement Headrail Pricing

|                           |              |              |               |               |               |               |               |                |                |                |                |                |                |
|---------------------------|--------------|--------------|---------------|---------------|---------------|---------------|---------------|----------------|----------------|----------------|----------------|----------------|----------------|
| Width up to inches (cm) → | 25<br>(63.5) | 38<br>(96.6) | 51<br>(129.6) | 63<br>(160.1) | 76<br>(193.1) | 85<br>(215.9) | 88<br>(223.6) | 101<br>(256.6) | 120<br>(304.8) | 144<br>(365.8) | 170<br>(431.8) | 178<br>(452.2) | 191<br>(485.2) |
| Headrail                  | \$99         | 151          | 201           | 251           | 300           | 334           | 349           | 399            | 475            | 571            | 674            | 699            | 756            |

### Sheer Vertical Blinds: Replacement Fabric Pricing

|                           |              |              |               |               |               |               |               |                |                |                |                |                |                |
|---------------------------|--------------|--------------|---------------|---------------|---------------|---------------|---------------|----------------|----------------|----------------|----------------|----------------|----------------|
| Width up to inches (cm) → | 25<br>(63.5) | 38<br>(96.6) | 51<br>(129.6) | 63<br>(160.1) | 76<br>(193.1) | 85<br>(215.9) | 88<br>(223.6) | 101<br>(256.6) | 120<br>(304.8) | 144<br>(365.8) | 170<br>(431.8) | 178<br>(452.2) | 191<br>(485.2) |
| Group G                   | \$739        | 1123         | 1202          | 1446          | 1600          | 1659          | 1754          | 1967           | 2317           | 2748           | 3243           | 3393           | 3645           |
| Group H                   | 853          | 1300         | 1401          | 1680          | 1888          | 1948          | 2066          | 2319           | 2738           | 3251           | 3836           | 4013           | 4311           |

### Sheer Vertical Blinds: Replacement Valance Fabric Only Pricing

|                           |              |              |               |               |               |               |               |                |                |                |                |                |                |
|---------------------------|--------------|--------------|---------------|---------------|---------------|---------------|---------------|----------------|----------------|----------------|----------------|----------------|----------------|
| Width up to inches (cm) → | 25<br>(63.5) | 38<br>(96.6) | 51<br>(129.6) | 63<br>(160.1) | 76<br>(193.1) | 85<br>(215.9) | 88<br>(223.6) | 101<br>(256.6) | 120<br>(304.8) | 144<br>(365.8) | 170<br>(431.8) | 178<br>(452.2) | 191<br>(485.2) |
| Valance Fabric Only       | \$17         | 23           | 37            | 47            | 52            | 59            | 61            | 70             | 87             | 102            | 122            | 125            | 133            |

### Replacement Dauphine® Valance with Shirred Fabric Pricing

|                           |              |              |               |               |               |               |               |                |                |                |                |                |                |
|---------------------------|--------------|--------------|---------------|---------------|---------------|---------------|---------------|----------------|----------------|----------------|----------------|----------------|----------------|
| Width up to inches (cm) → | 25<br>(63.5) | 38<br>(96.6) | 51<br>(129.6) | 63<br>(160.1) | 76<br>(193.1) | 85<br>(215.9) | 88<br>(223.6) | 101<br>(256.6) | 120<br>(304.8) | 144<br>(365.8) | 170<br>(431.8) | 178<br>(431.8) | 191<br>(485.2) |
| Group G                   | \$89         | 131          | 176           | 223           | 269           | 312           | 317           | 373            | 428            | 527            | 622            | 653            | 697            |
| Group H                   | 102          | 152          | 202           | 246           | 293           | 328           | 342           | 388            | 462            | 557            | 661            | 687            | 741            |

### Replacement Round-Corner Valance Pricing

|                           |              |              |               |               |               |               |               |                |                |                |                |                |                |
|---------------------------|--------------|--------------|---------------|---------------|---------------|---------------|---------------|----------------|----------------|----------------|----------------|----------------|----------------|
| Width up to inches (cm) → | 25<br>(63.5) | 38<br>(96.6) | 51<br>(129.6) | 63<br>(160.1) | 76<br>(193.1) | 85<br>(215.9) | 88<br>(223.6) | 101<br>(256.6) | 120<br>(304.8) | 144<br>(365.8) | 170<br>(431.8) | 178<br>(431.8) | 191<br>(485.2) |
| Group G                   | \$49         | 76           | 93            | 105           | 111           | 121           | 124           | 136            | 159            | 191            | 231            | 244            | 257            |
| Group H                   | 51           | 81           | 98            | 110           | 117           | 127           | 130           | 142            | 167            | 200            | 243            | 257            | 269            |

### Replacement Double Round-Corner Valance Pricing

|                           |              |              |               |               |               |               |               |                |                |                |                |                |                |
|---------------------------|--------------|--------------|---------------|---------------|---------------|---------------|---------------|----------------|----------------|----------------|----------------|----------------|----------------|
| Width up to inches (cm) → | 25<br>(63.5) | 38<br>(96.6) | 51<br>(129.6) | 63<br>(160.1) | 76<br>(193.1) | 85<br>(215.9) | 88<br>(223.6) | 101<br>(256.6) | 120<br>(304.8) | 144<br>(365.8) | 170<br>(431.8) | 178<br>(431.8) | 191<br>(485.2) |
| Group G                   | \$98         | 152          | 186           | 210           | 222           | 242           | 248           | 272            | 318            | 382            | 462            | 488            | 514            |
| Group H                   | 102          | 162          | 196           | 220           | 234           | 254           | 260           | 284            | 334            | 400            | 486            | 514            | 538            |



Graber is a brand of Springs Window Fashions, the Best Experience Company 

Graber and the Graber logo are registered trademarks of Springs Window Fashions, LLC.

19-0768-00 (02/18) 17-7655|S17-5060