



## **Mini-Blind Section**

**Mariak Mini-Blinds  
Mariak Elite Contoured Headrail Mini-Blinds  
Levolor Riviera Mini-Blinds  
Dynasty Mini-Blinds**

**Effective December 1, 2014**



**Save a life: "Install Cord Cleats!"**

Wyman Empire-Phone 800-326-2555 Fax:916-381-5753

Email:Wymanshutters@gmail.com

# Mini-Blind Measuring & Ordering Instructions

## Selecting the Type of Mounting:

Determine whether the blind is going to be installed inside the window frame or outside the window frame.



## Inside Mount (IB):

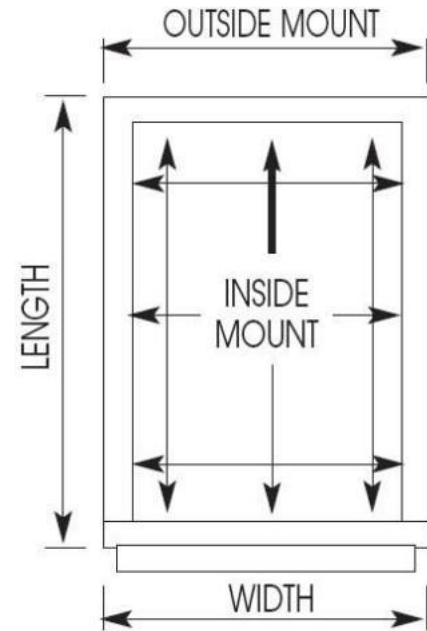
Inside mount installations are often preferred because the blinds take up less space in the room.

### Measuring the Width and the Length for Inside Mount:

For the width, measure across the top, middle, and bottom of the window opening. Using the narrowest dimension, measure to the nearest 1/8". By using the narrowest measurement the blind will operate correctly.

For the length, measure the up and down dimension on the left, center, and right side. Note the longest length measurement, measuring to the nearest 1/8".

The factory will make any appropriate deductions (1/2" standard for inside mount mini blinds). Do not make any width deductions.



## Outside Mount (OB):

Outside mount installations are mounted on the wall or on the window molding. It is best to overlap the window opening at least 3/4" on each side when measuring for mini-blinds.

### Measuring the Width and the Length for Outside Mount:

Measure the area that the blind is to cover. For mini-blinds it is recommended to overlap the window opening by at least 3/4" on each side for a total of 1 1/2". To allow for enough space for the mounting brackets and to cover the bottom of the window, the suggested overlap for a mini-blind is at least 3" (1 1/2" above the window opening and 1 1/2" below the opening). If the window opening has a sill, measure from where the top of the mini-blind will be located to the top of the window sill.

*Note: When outside mount blinds are specified, no factory deductions are taken.*

## Confirming Measurements:

The most common error in ordering blinds is reversing the width and the length measurements. Always confirm that the width is the measurement that goes across from left to right and that the length is the measurement that goes from top to bottom.

## Control Location Options:

- *Standard:* Tilter – Left / Lift Cords – Right
- *Reverse:* Tilter – Right / Lift Cords – Left
- *Same Left:* Tilter – Left / Lift Cords – Left
- *Same Right:* Tilter – Right / Lift Cords – Right

## Stacking Height

Blind Drop	Total Stack Thickness
24"	2 1/2"
36"	3"
48"	3 1/2"
60"	4"
72"	4 1/2"
84"	5"
96"	5 1/2"
108"	6"
120"	6 1/2"

## Wand Selection Chart:

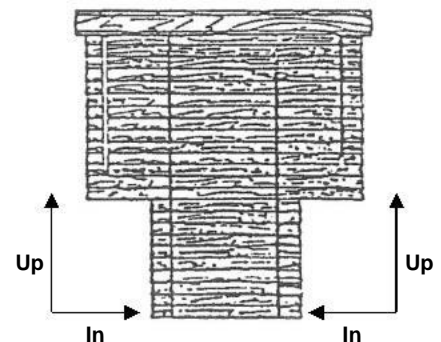
### Blind Drop Wand Length

36" or less	24"
36 1/8" – 48"	30"
48 1/8" – 60"	36"
60 1/8" – 72"	48"
72 1/8" – 84"	60"
84 1/8" – 96"	72"
96 1/8" or greater	96"

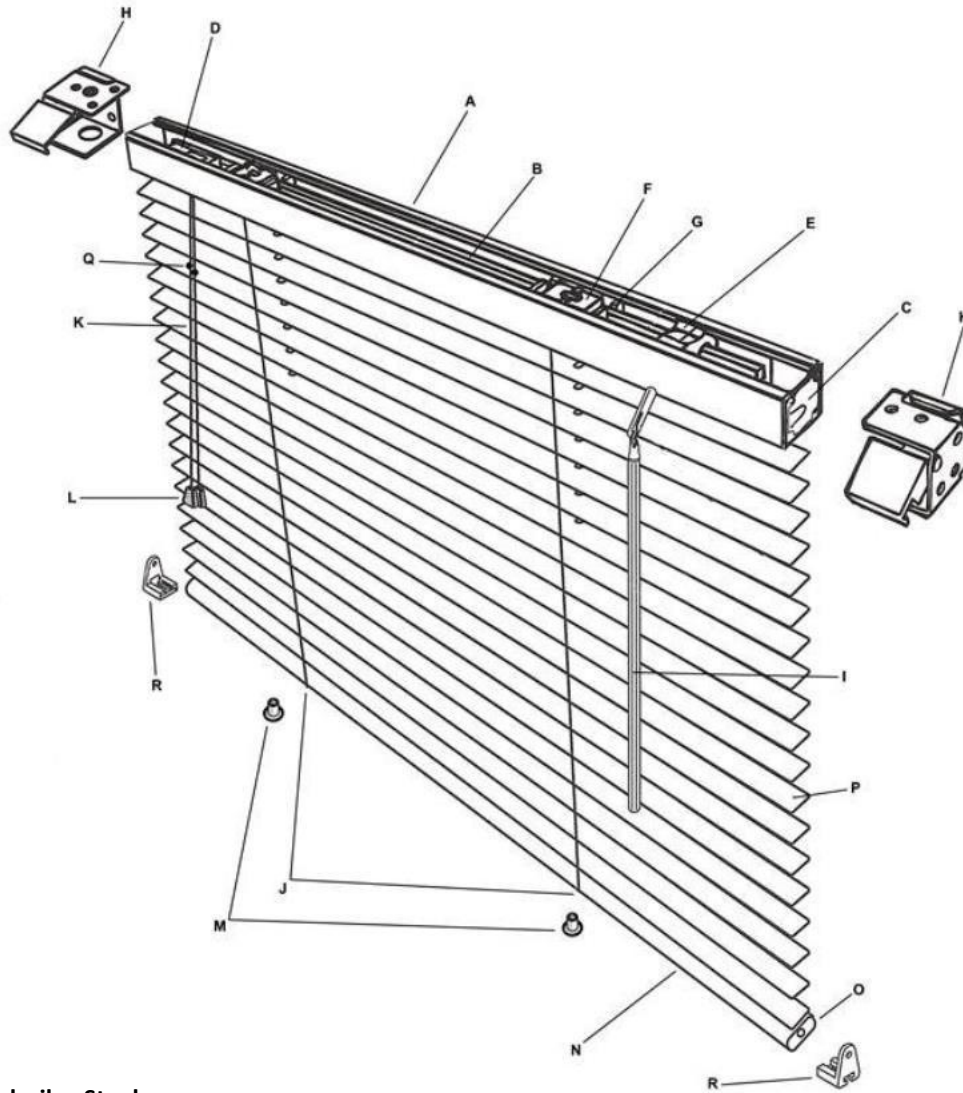
- **Minimum Width: 13" Split Controls**
- **Blinds between 13" – 18" in width require split controls**
- **Under size blinds 13" or less a \$20.00 Net surcharge will apply.**
- **Minimum Width: 9" Center Tilt (no lift)**
- **Minimum Width: Levolor Riviera 15" Split Controls**
- **Blinds between 15" – 18" in width require split controls**
- **Minimum Width: Levolor Riviera 9" Center Tilt (no lift)**
- **Maximum Width: 142"**
- **Minimum Length/Height: 9"**
- **Maximum Length/Height: 144"**
- **Oversized blinds 120" in length or longer a \$10.00 Net Surcharge will apply**

## Cutouts:

A \$7.00 net surcharge will apply to each side cutout. A \$40.00 net surcharge will apply to each center cutout. A drawing with the necessary cutout dimensions is required. The maximum cut in width is 5 1/2".



## 1" x 1" Contractor, Residential & Micro Aluminum Mini-Blind System



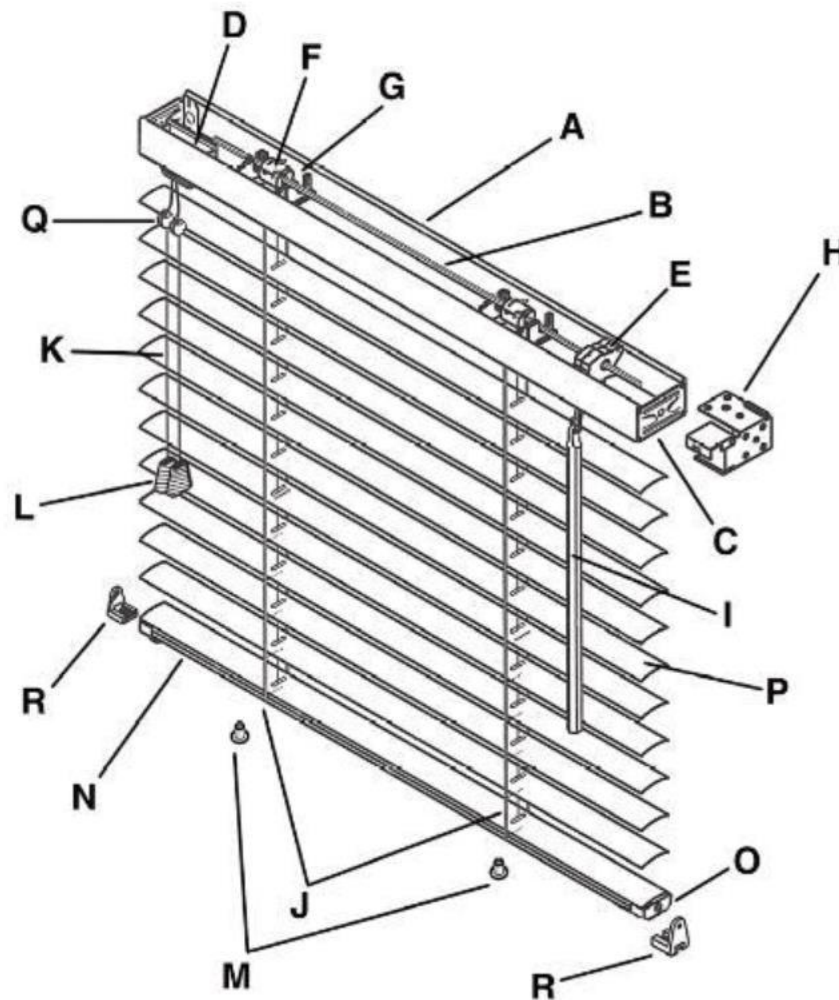
- A) Headrail – Steel
- B) Pinion Rod (Tilt Rod) – Square
- C) End Stiffeners
- D) Cord Lock
- E) Wand Tilter
- F) Tape Drum (Ladder Drum)
- G) Tape Drum Support (Cradle)
- H) Box Installation Bracket
- I) Wand – Clear Hexagonal
- J) Cord Ladder
- K) Lift Cord 1.4mm
- L) Cord Tassels
- M) Bottomrail Plus
- N) Bottomrail – C Shape
- O) Bottomrail End Caps
- P) Slats
- Q) Cord Safety Rings
- R) Hold Dorm Brackets - Optional

**Mariak Contractor Mini Blind 6-Gauge Aluminum Slats**  
**Mariak Residential Mini Blind 8-Gauge Aluminum Slats**

### System Features:

- Heavy Duty Metal and Plastic Components
- Wand Tilter has a metal stem, making it the strongest tilter in the industry

## 1-1/2" x 1" Professional & Estate Aluminum Mini-Blind System



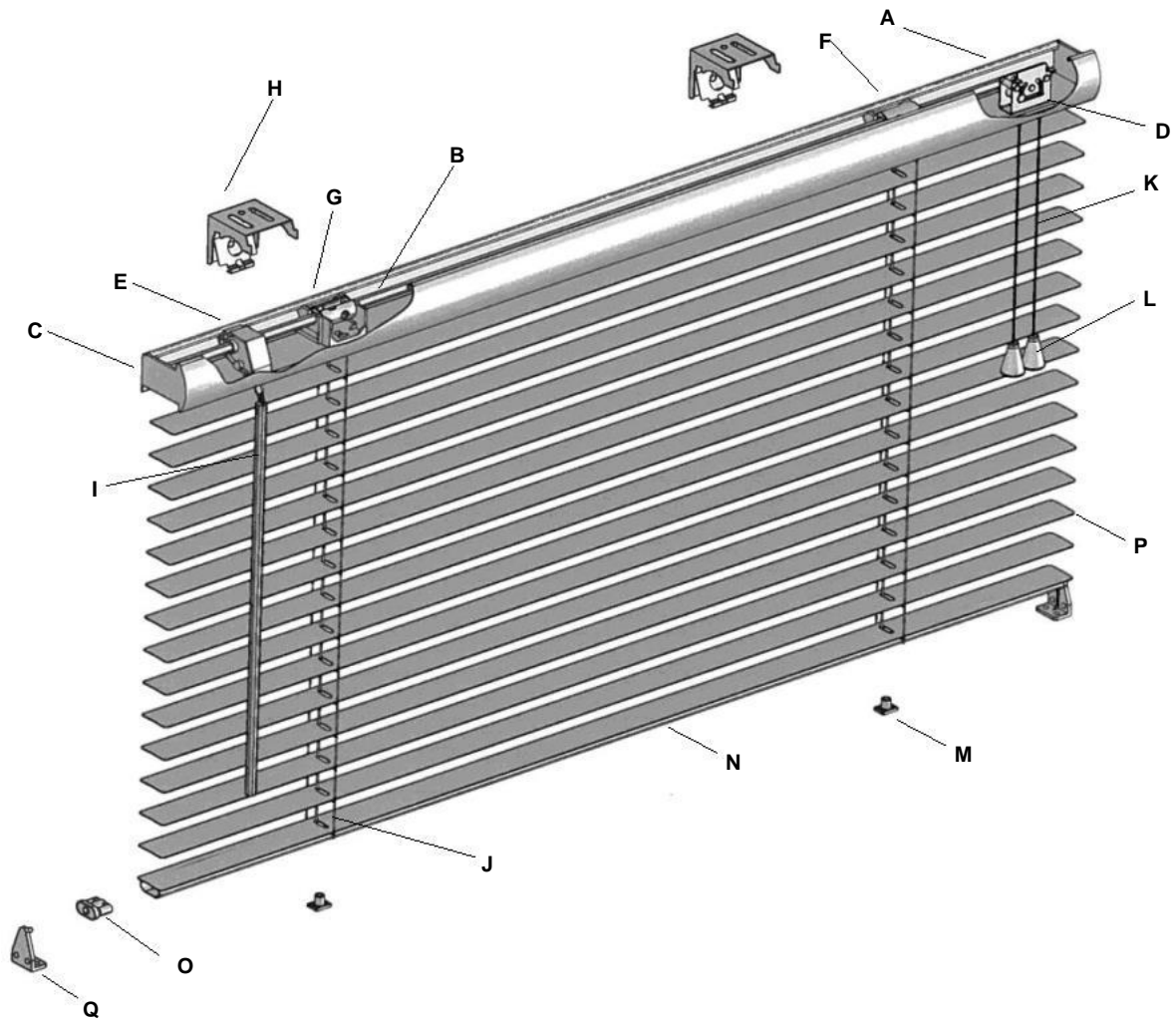
- A) Headrail – Steel
- B) Pinion Rod (Tilt Rod) – Hexagonal
- C) End Stiffeners
- D) Cold Lock
- E) Wand Tilter
- F) Tape Drum (Ladder Drum)
- G) Tape Drum Support (Cradle)
- H) Box Installation Bracket
- I) Wand – Clear Hexagonal
- J) Cord Ladder
- K) Lift Cord 1.4mm
- L) Cord Tassels
- M) Bottomrail Plugs
- N) Bottomrail – C Shape
- O) Bottomrail End Caps
- P) Slats
- Q) Cord Safety Rings
- R) Hold Down Brackets – Optional

**Mariak Professional Mini Blind 6-Gauge Aluminum Slats**  
**Mariak Estate Mini Blind 8-Gauge Aluminum Slats**

### System Features:

- Heavy Duty Metal and Plastic Components
- Wand Tilter has a clutch mechanism preventing over-rotation and repairs

## 1-1/2" x 1" Elite & Elite Plus Contoured Aluminum Mini-Blind System



- A) Headrail – Steel
- B) Pinion Rod (Tilt Rod) – Hexagonal
- C) Headrail End Caps (Clear)
- D) Cord Lock
- E) Wand Tilter
- F) Tape Drum (Ladder Drum)
- G) Tape Drum Support (Cradle)
- H) Hidden Installation Bracket
- I) Wand – Clear Hexagonal
- J) Cord Ladder
- K) Lift Cord 1.4mm
- L) Cord Tassels
- M) Bottom Rail Plugs
- N) Bottomrail – C Shade
- O) Bottomrail End Caps
- P) Slats
- Q) Hold Down Brackets - Optional

**Mariak Elite Mini Blind 6-Gauge Aluminum Slats**  
**Mariak Elite Plus Mini Blind 8-Gauge Aluminum Slats**

### System Features:

- Integrated Headrail with Light Blocking Lip
- Snap-in Hidden Installation Brackets
- Heavy Duty Metal and Plastic Components
- Wand Tilter has a clutch mechanism preventing over-rotation and repairs

# Mini-Blind Options & Surcharges

## Optional Surcharges

### Common Mini-Blind Surcharges:

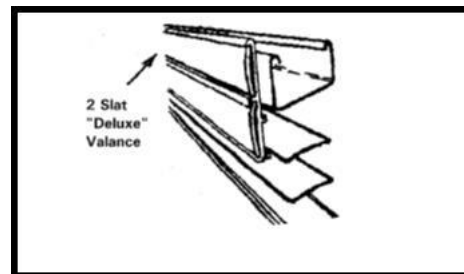
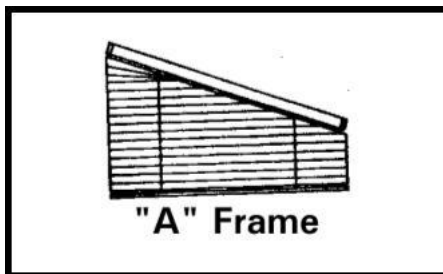
- Undersized Blinds (13" and less in width) = \$20.00 (net charge)
- Oversized Blinds (greater than 120" in length) = \$10.00 (net charge)
- Tile Cut Blinds with a 5 1/2" maximum cutout on each side = \$7.00 per side (net charge)
- Center Cutout Blinds = \$40.00 (net charge)
- Slanted Top Blinds = \$125.00 (net charge)
- 2-on-1 Headrail Blinds = \$20.00 (net charge; use overall width and length and then add surcharge)
- 3-on-1 Headrail Blinds = \$30.00 (net charge; use overall width and length and then add surcharge)
- Motorized Tilt Only Blinds (quote required)
- Classic Blinds (19.5mm ladder spacing – 15.7 slats/ft.) = 5% (surcharge)
- Lightmaster Privacy Blinds (18.0mm ladder spacing – 16.9 slats/ft.) = 10% (surcharge)
- Multi-Color Blinds = \$15.00 for the 1<sup>st</sup> extra color & \$6.00 for each additional color (net charge)

### Levolor Riviera and Mariak Dynasty Mini-Blind Surcharges:

- Sheerview Perforated Slat Blinds = 30% (surcharge)
- Metallic, Pearlized, & Native Stone Slat Blinds = 10% (surcharge)
- Top-Lock Cord Lock = \$1.00 (net charge)
- Ring Pull = \$1.00 (net charge)
- Universal Ring Tilter = \$13.00 (net charge)
- Restrictive Tilter = \$4.00 (net charge); degrees available: 0-70, 0-90, 45-45, 60-60, & 75-75
- Tilt Poles: 4 Foot = \$18.00 (net charge); 6 to 10 Foot Adjustable = \$24.00 (net charge)
- Pivot Plates = \$1.00 (net charge); allow 4 weeks for production of custom-made brackets
- Pocket Brackets = \$1.50 (net charge)

### Manufacturing Notes:

- Blinds 9" and less in width require center tilt and no lift controls.
- Blinds between 12" and 18" in width require split controls.
- Side Channels only available with 1 1/2" headrail.
- Unless specified, mini-blinds will be manufactured as Contract Blinds (21.5mm ladder – 14.2 slats/ft.)



## Mini-Blinds Available & Price Table Listing

Type of Mini-Blind	Headrail	Slat Options	Ladder Options	Components
Mariak Contractor	1" x 1"	6 Gauge	Contract (14.2 slats/ft) Privacy (16.9 slats/ft)	Snap-In Parts
Mariak Residential	1" x 1"	8 Gauge	Contract (14.2 slats/ft) Classic (15.7 slats/ft) Privacy (16.9 slats/ft)	Snap-In Parts
Mariak Professional	1 1/2" x 1"	6 Gauge	Contract (14.2 slats/ft) Privacy (16.9 slats/ft)	Snap-In Parts
Mariak Estate	1 1/2" x 1"	8 Gauge	Contract (14.2 slats/ft) Classic (15.7 slats/ft) Privacy (16.9 slats/ft)	Snap-In Parts
Mariak Builder	1" x 1"	6 Gauge	Builder (13.5 slats/ft)	Snap-In Parts
Mariak Builder Plus	1 1/2" x 1"	6 Gauge	Builder (13.5 slats/ft)	Snap-In Parts
Mariak Elite Contoured	1 1/2" x 1"	6 Gauge	Contract (14.2 slats/ft) Classic (15.7 slats/ft) Privacy (16.9 slats/ft)	Snap-In Parts (Clear end caps only)
Mariak Elite Contoured Plus	1 1/2" x 1"	8 Gauge	Contract (14.2 slats/ft) Classic (15.7 slats/ft) Privacy (16.9 slats/ft)	Snap-In Parts (Clear end caps only)
Levolor Riviera	1 1/2" x 1"	6 & 8 Gauge	Contract (14.2 slats/ft) Classic (15.7 slats/ft) Privacy (16.9 slats/ft)	Clinch-In Metal Parts
Dynasty Commercial	1 1/2" x 1"	6 Gauge	Contract (14.2 slats/ft) Privacy (16.9 slats/ft)	Locked-In Metal Parts
Dynasty Architect	1 1/2" x 1"	8 Gauge	Contract (14.2 slats/ft) Classic (15.7 slats/ft) Privacy (16.9 slats/ft)	Locked-In Metal Parts

Note:

- Dynasty Blinds use Mariak mini-blind color selector with all metal headrail parts that are locked into place.
- The Mariak Builder and Mariak Builder Plus blinds are available by contract request only.

## Mini-Blind Price Table Listing

Type of Mini-Blind	Type of Slat Material		
	Standard	Metallic	Perforated
Mariak Contract - Contractor Blind with 1" x 1" & 6-gauge gauge slat	1	2	N/A
Mariak Contract - Residential Blind with 1" x 1" & 8-gauge slat	2	3 + 15%	4
Mariak Contract - Professional Blind with 1.5" x 1" & 6-gauge slat	2	3	N/A
Mariak Contract - Estate Blind with 1.5" x 1" & 8-gauge slat	3	3 + 15%	4
Mariak Contract - Elite Contoured Headrail with 6-gauge slat	2 + 10%	N/A	N/A
Mariak Contract - Elite Contoured Headrail with 8-gauge slat	3 + 10%	N/A	N/A

Options:

- Add an additional 5% for Classic Ladder Spacing (19.5mm – 15.7 slats per foot); Only available for 8-gauge slats
- Add an additional 10% of Privacy Ladder Spacing (18.0mm – 16.9 slats per foot); Available for both 6-gauge & 8-gauge slats

Type of Mini-Blind	Type of Slat Material		
	Standard	Metallic	Perforated
Levolor – Riviera Contract with 1.5" x 1" & 6-gauge slat	2	2 + 10%	N/A
Levolor – Riviera Contract with 1.5" x 1" & 8-gauge slat	3	3 + 10%	3 + 30%

Options:

- Add an additional 5% for Classic Ladder Spacing (19.5mm – 15.7 slats per foot); Only available for Levolor Riviera with 8-gauge slats
- Add an additional 10% of Privacy Ladder Spacing (18.0mm – 16.9 slats per foot); Available for Levolor Riviera with 6-gauge & 8-gauge slats

Type of Mini-Blind	Type of Slat Material		
	Standard	Metallic	Perforated
Dynasty Contract – Commercial with 1.5" x 1" & 6-gauge slat	2	3	N/A
Dynasty Contract – Architect with 1.5" x 1" & 8-gauge slat	3	3 + 15%	4

Options:

- Add an additional 5% for Classic Ladder Spacing (19.5mm – 15.7 slats per foot); Only available for 8-gauge slats
- Add an additional 10% of Privacy Ladder Spacing (18.0mm – 16.9 slats per foot); Available for both 6-gauge & 8-gauge slats

Notes:

- Contract Blind denotes 21.5 mm ladder (14.2 slats/ft.)
- Classic Blind denotes 19.5 mm ladder (15.7 slats/ft.)
- Privacy Blind denotes 18.0 mm ladder (16.9 slats/ft.) & offset route hole
- Builder Blind denotes 22.5 mm ladder (13.5 slats/ft.); Limited Color Options

# Mariak Mini-Blind Color Listing

Aluminum Color Listing	Mariak Brand Mini-Blinds					Mariak Dynasty Mini-Blinds	
	Contractor 1" x 1" Headrail 6-Gauge Slats	Professional 1 1/2" x 1" Headrail 6-Gauge Slats	Residential 1" x 1" Headrail 8-Gauge Slats	Estate 1 1/2" x 1" Headrail 8-Gauge Slats	Elite/Elite Plus Contoured 1 1/2" x 1" Headrail 6 & 8 Gauge Slats	Commercial 1 1/2" x 1" Headrail 6-Gauge Slats	Architect 1 1/2" x 1" Headrail 8-Gauge Slats
	<b>Standard Aluminum Colors</b>						
005 – White Gloss	X	X	X	X	X	X	X
006 – Raw Umber	X	X	X	X	Not Available	X	X
011 – Beige	X	X	X	X	X	X	Not Available
015 – Federal Blue	Not Available	X	Not Available	Not Available	Not Available	X	Not Available
017 – Gulf Blue	Not Available	X	Not Available	Not Available	Not Available	X	Not Available
020 – Chinese Red	Not Available	X	Not Available	Not Available	Not Available	X	Not Available
026 – Smokey Grey	X	X	X	X	Not Available	X	X
031 – Fawn	X	X	X	X	X	X	X
033 – Pitch Black	X	X	Not Available	Not Available	Not Available	X	Not Available
042 – Matte White	X	X	X	X	Not Available	X	X
062 – Char Brown	X	X	X	X	X	X	X
065 – Alm. Gloss White	X	X	X	X	X	X	Not Available
082 – Pale Pink	X	X	Not Available	Not Available	Not Available	X	Not Available
089 – True Blue	X	X	X	X	X	X	Not Available
100 – Vanilla	X	X	Not Available	Not Available	Not Available	X	Not Available
104 – Biscuit	X	X	X	X	X	X	Not Available
106 – Garnet Red	X	X	X	X	X	X	X
112 – Alabaster	X	X	X	X	X	X	X
121 – Brushed Alum.	X	X	X	X	X	X	X
130 – Angel Food	X	X	X	X	DISCONTINUED	X	Not Available
137 – Misty Grey	Not Available	X	Not Available	Not Available	Not Available	X	Not Available
144 – Metallic Sky Jewel	X	X	Not Available	Not Available	Not Available	X	Not Available
169 – Pearl	X	X	Not Available	Not Available	Not Available	X	Not Available
173 – Spun Silk	X	X	Not Available	Not Available	Not Available	X	Not Available
205 – White Satin	X	X	X	X	X	X	X
217 – Angel Dust	X	X	Not Available	Not Available	Not Available	X	Not Available
228 – Sand	X	X	X	X	X	X	Not Available
233 – Black Satin	X	X	X	X	X	X	X
260 – Vanilla	X	X	X	X	Not Available	X	X
282 – Malt	X	X	Not Available	Not Available	Not Available	X	Not Available
350 – Forest Green	X	X	Not Available	Not Available	Not Available	X	Not Available
386 – Snow Cap	X	X	X	X	X	X	Not Available
413 – Hunter Green	X	X	X	X	Not Available	X	X
496 – Cream White	X	X	Not Available	Not Available	Not Available	X	Not Available
502 – Yellow White	X	X	Not Available	Not Available	Not Available	X	Not Available
544 – True White	X	X	Not Available	Not Available	Not Available	X	Not Available
701 – Navajo	X	X	Not Available	Not Available	Not Available	X	Not Available
724 – Almond	X	X	X	X	X	X	X
771 – Mercury	X	X	Not Available	Not Available	Not Available	X	Not Available
963 – Stucco	X	X	Not Available	Not Available	Not Available	X	Not Available
<b>Metallic Aluminum Colors</b>							
064 – Aluminum Text.	X	X	X	X	Not Available	X	X
144 – Sky Jewel	Not Available	X	Not Available	Not Available	Not Available	X	Not Available
<b>Perforated Aluminum Colors</b>							
P49 – Perf. Black	Not Available	Not Available	X	X	Not Available	Not Available	X
P64 – Perf. Aluminum	Not Available	Not Available	X	X	Not Available	Not Available	X
P65 – Perf. White	Not Available	Not Available	X	X	Not Available	Not Available	X

X – Designates that the Aluminum Color is available for the specific Mini-Blind.

Aluminum Color Listing	Mariak Brand Mini-Blinds	
	1/2" Micro Mini Blinds (16mm) 1" x 1" Headrail 6-Gauge Slats	
005 - White Gloss	065 - Almost Gloss White	233 - Black Satin
011 - Beige	106 - Garnet Red	386 - Snow Cap
026 - Smokey Grey	112 - Alabaster	544 - True White
042 - Matte White	121 - Brushed Aluminum	724 - Almond
062 - Char Brown	130 - Angel Food	



# Levolor Mini-Blind Color Listing

Aluminum Color Listing	Riviera	Riviera
	1 ½" x 1" Headrail 6-Gauge Slats	1 ½" x 1" Headrail 8-Gauge Slats
<b>Standard Aluminum Colors</b>		
031 – Polished Aluminum	X	X
034 – Brushed Aluminum	X	X
110 – White	X	X
111 – Cotton	X	X
112 – Alabaster	X	X
113 – White Cap	Not Available	X
115 – Dover	X	X
116 – Polar Bear	X	X
137 – Almond	X	X
148 – Vanilla	X	X
201 – Ivory	X	X
202 – Blush White	X	X
268 – Real Red	X	X
275 – Garnet Red	X	X
292 – Gingersnap	Not Available	X
310 – Sand	X	X
312 – Greige	X	X
316 – Malibu Sand	X	X
365 – Mushroom	X	X
368 – Beacon Brown	Not Available	X
384 – Rich Earth	Not Available	X
571 – Cactus Sage	X	X
590 – Sherwood Green	X	X
637 – China Blue	X	X
641 – Evening Shadows	X	X
685 – Royal Navy	X	X
765 – Wood Violet	Not Available	X
815 – Birch	Not Available	X
820 – Squirrel Gray	X	X
860 – Mercury	X	X
862 – Pearl Gray	X	X
870 – U.N. Gray	X	X
885 – Dark Bronze	X	X
887 – Raw Umber	X	X
890 – Black	X	X
892 – Low Gloss Black	X	X
<b>Metallic Aluminum Colors</b>		
915 – Copperite	Not Available	X
<b>Perforated Aluminum Colors</b>		
034 – Perf. Brushed Alum.	Not Available	X
110 – Perf. White	Not Available	X
112 – Perf. Alabaster	Not Available	X
885 – Perf. Dark Bronze	Not Available	X
892 – Perf. Low Gloss Black	Not Available	X

All prices are in U.S. Dollars and do not include freight, duties or taxes for shipment to Alaska, Hawaii or Canada. GST and VAT are no included. Other restrictions and surcharges may apply. See Freight Policy for complete details.

Manufacturing specifications, options, surcharges and pricing are subject to change without notice.

Visit [www.wymanempire.com](http://www.wymanempire.com) for the most recent downloads.



# 1" Aluminum Mini-Blinds

**Suggested Retail Price Table 1**

Type of Mini-Blind	Headrail																		Gauge	Colors																			
Contractor	1" x 1"																		6	Standard																			
																				Width																			
		23	26	29	32	36	40	44	48	52	57	62	67	72	82	92	102	112	122	132	142																		
Length	42	96	104	113	122	135	150	159	168	180	204	217	230	246	275	301	343	370	407	430	466																		
	48	104	117	125	135	146	162	177	189	202	222	238	251	267	301	328	362	405	444	479	502																		
	54	115	125	139	147	162	178	191	206	216	244	258	275	293	331	362	388	419	459	502	543																		
	60	123	139	147	162	177	190	204	215	234	262	289	304	322	358	389	424	466	519	550	592																		
	66	132	147	162	174	188	203	216	237	251	284	304	323	337	386	420	470	527	556	586	639																		
	72	142	156	170	187	196	215	236	253	280	305	328	345	370	415	457	520	561	606	656	695																		
	78	150	166	182	192	213	232	251	275	302	332	348	371	409	451	502	551	596	634	691	747																		
	84	156	178	193	213	233	253	274	299	330	358	378	410	450	500	549	598	647	697	740	800																		
	90	169	189	210	230	252	275	299	328	358	381	407	447	490	540	594	639	693	748	811	884																		
	96	175	196	215	240	272	299	328	359	383	419	454	487	535	588	643	692	752	816	878	947																		
	102	187	202	229	257	291	319	357	383	420	455	489	537	577	639	693	751	824	871	931	1003																		
	108	191	214	237	270	304	341	381	418	457	490	540	583	630	692	758	822	874	939	1003	1074																		
	114	204	224	249	278	320	357	392	434	474	508	559	611	653	728	801	871	942	1003	1079	1164																		
	120	214	237	262	297	332	381	412	464	502	558	609	645	711	787	867	920	996	1075	1157	1241																		
	126	227	250	276	319	350	403	437	489	535	586	639	671	735	811	890	955	1035	1134	1216	1320																		
	132	236	262	292	344	375	428	462	511	561	612	666	696	763	857	930	996	1074	1165	1257	1364																		
138	247	276	305	366	397	454	488	535	584	639	694	726	790	907	981	1045	1123	1229	1310	1417																			
144	258	295	322	388	421	480	512	561	612	666	724	752	819	949	1022	1084	1160	1261	1355	1466																			
Dbl. Val.	10	11	13	14	16	17	19	20	21	24	26	29	31	34	39	42	47	51	55	60																			
Dlx. Val.	24	26	30	32	36	40	43	47	51	56	60	65	71	80	91	99	110	119	128	139																			

See Mariak Mini Blind Color Listing for available colors.

Includes Single Slat Valance.

Double Slat Valance & Deluxe Slat Valances are optional upgrades.

For Aluminum blinds, valance returns are not standard for inside mount.

Blinds less than 102" in width shipped via FedEx: \$7.00 / unit Net Freight Charge

Blinds 102-1/8" to 125" in width shipped via FedEx: \$75.00 / unit Net Freight Charge

Blinds 125-1/8" or greater in width shipped via Common Carrier: \$150.00 per shipment

Common Mini-Blind Surcharges Options:	
Classic Ladder (19.5mm - 15.7 slats/ft.)	5%
Privacy Ladder (18.0mm - 16.9 slats/ft.)	10%
Undersized Blind (12" and less in width)	\$20.00 net charge
Oversized Blind (greater than 120" in length)	\$10.00 net charge
Side Tile Cutout	\$7.00 net charge per side
Center Tile Cutout	\$40.00 net charge
2-on-1 Headrail Blind	\$20.00 net charge
3-on-1 Headrail Blind	\$30.00 net charge
Slanted Top Blind	\$125.00 net charge
Multi-Color Blind	\$15.00 Net for first extra color \$6.00 Net for additional color

All prices are in U.S. Dollars and do not include freight, duties or taxes for shipment to Alaska, Hawaii or Canada. GST and VAT are not included. Other restrictions and surcharges may apply. See Freight Policy for complete details.

Manufacturing specifications, options, surcharges and pricing are subject to change without notice.

Visit [www.wymanempire.com](http://www.wymanempire.com) for the most recent downloads.



# 1" Aluminum Mini-Blinds

## Suggested Retail Price Table 2

Type of Mini-Blind	Headrail	Gauge	Colors
Contractor	1" x 1"	6	Metallic
Residential	1" x 1"	8	Standard
Professional	1 ½" x 1"	6	Standard
Levolor Riviera	1 ½" x 1"	6	Standard
Dynasty Commercial	1 ½" x 1"	6	Standard

### Width

Length	Width																			
	23	26	29	32	36	40	44	48	52	57	62	67	72	82	92	102	112	122	132	142
42	112	120	128	141	155	173	182	192	206	234	250	266	281	318	347	394	427	467	496	535
48	120	135	145	155	168	186	203	217	231	255	274	291	304	347	378	415	465	510	551	577
54	130	145	159	169	186	204	221	237	249	278	297	317	335	381	415	447	481	530	577	624
60	142	159	169	186	203	219	234	248	270	301	330	350	369	411	449	487	535	597	633	682
66	152	169	186	201	216	232	249	273	291	327	350	371	387	444	483	540	604	639	673	735
72	163	180	196	214	224	248	272	293	323	352	378	396	427	478	527	598	646	696	753	800
78	173	190	210	222	246	268	291	318	348	383	400	428	470	518	577	633	686	730	796	858
84	180	204	223	246	269	293	316	345	380	411	434	472	515	575	630	688	743	803	851	921
90	193	217	240	266	292	318	345	378	411	437	467	513	565	621	684	735	798	860	932	1016
96	202	224	248	276	312	345	378	412	440	481	522	560	616	675	739	797	866	936	1010	1087
102	213	231	263	296	332	366	410	440	483	524	564	619	663	735	798	864	948	1003	1071	1153
108	221	247	273	309	350	392	437	479	527	565	621	669	725	797	871	945	1007	1080	1153	1234
114	234	257	286	321	367	410	451	499	543	584	643	705	751	839	922	1003	1081	1153	1241	1338
120	247	273	301	341	383	437	475	533	577	641	701	741	817	905	996	1057	1146	1235	1332	1427
126	258	289	317	357	399	457	483	550	609	661	721	764	844	931	1016	1084	1193	1267	1394	1463
132	270	301	334	380	414	473	511	568	644	685	740	783	872	956	1036	1113	1218	1306	1420	1491
138	279	312	348	399	431	489	537	597	675	712	770	812	892	978	1061	1142	1245	1331	1469	1539
144	294	325	363	415	449	508	563	621	708	741	798	836	917	1000	1082	1166	1261	1364	1503	1572
Dlx. Val.	24	26	30	32	36	40	43	47	51	56	60	65	71	80	91	99	110	119	128	139

See Mini Blind Color Listing for available colors.

Includes Double Slat Valance.

For Aluminum blinds, valance returns are not standard for inside mount.

Blinds less than 102" in width shipped via FedEx: \$7.00 / unit Net Freight Charge

Blinds 102-1/8" to 125" in width shipped via FedEx: \$75.00 / unit Net Freight Charge

Blinds 125-1/8" or greater in width shipped via Common Carrier: \$ 150.00 per shipment

Common Mini-Blind Surcharges Options:	
Classic Ladder (19.5mm - 15.7 slats/ft.)	5%
Privacy Ladder (18.0mm - 16.9 slats/ft.)	10%
Undersized Blind (12" and less in width)	\$20.00 net charge
Oversized Blind (greater than 120" in length)	\$10.00 net charge
Side Tile Cutout	\$7.00 net charge per side
Center Tile Cutout	\$40.00 net charge
2-on-1 Headrail Blind	\$20.00 net charge
3-on-1 Headrail Blind	\$30.00 net charge
Slanted Top Blind	\$125.00 net charge
Multi-Color Blind	\$15.00 Net for first extra color \$6.00 Net for additional color

Levolor Mini-Blind Surcharge Options:	
Sheerview Perforated Slat Blinds	30%
Metallic Slat Blinds	10%
Pearlized Slat Blinds	10%
Native Stone Slat Blinds	10%
Top-Lock Cord Lock	\$1.00 net charge
Ring Pull	\$1.00 net charge
Cord Tilter	\$5.00 net charge
Universal Ring Tilter	\$13.00 net charge
Restrictive Wand Tilter	\$4.00 net charge
<i>(Available as: 0 -70 , 0 -90 , 45 -45 , 60 -60 , &amp; 75 -75 )</i>	

All prices are in U.S. Dollars and do not include freight, duties or taxes for shipment to Alaska, Hawaii or Canada. GST and VAT are not included. Other restrictions and surcharges may apply. See Freight Policy for complete details.

Manufacturing specifications, options, surcharges and pricing are subject to change without notice.

Visit [www.wymanempire.com](http://www.wymanempire.com) for the most recent downloads.



## 1/2" Aluminum Micro Mini-Blinds

**Suggested Retail Price Table 2.1**

Type of Mini-Blind	Headrail	Gauge	Colors
Micro Mini Blind	1" x 1"	6	Standard

		Width																			
		23	26	29	32	36	40	44	48	52	57	62	67	72	82	92	102	112	122	132	142
Length	42	146	156	167	184	202	225	238	250	269	305	325	346	366	413	451	512	555	608	644	696
	48	156	175	189	202	219	242	265	282	301	332	356	378	396	451	491	540	606	663	716	750
	54	170	189	206	220	242	266	288	308	324	362	386	412	436	496	540	581	626	689	750	812
	60	185	206	220	242	265	284	305	323	351	392	430	455	480	535	584	634	696	777	823	887
	66	198	220	242	262	281	302	324	355	378	426	455	482	504	577	629	702	785	831	876	955
	72	212	234	255	278	292	323	354	381	420	458	491	514	555	621	685	778	841	905	980	1040
	78	225	247	273	289	320	349	378	413	453	499	520	557	611	674	750	823	892	949	1035	1116
	84	234	266	291	320	350	381	410	449	494	535	565	613	670	747	819	895	967	1045	1107	1198
	90	251	282	311	346	379	413	449	491	535	568	608	667	735	809	890	955	1038	1117	1212	1320
	96	264	292	323	359	406	449	491	536	572	626	679	728	801	878	960	1036	1126	1217	1314	1414
	102	277	301	342	385	432	476	534	572	629	681	734	805	863	955	1038	1123	1233	1305	1392	1499
	108	288	322	355	403	455	509	568	622	685	735	809	870	944	1036	1133	1229	1310	1404	1499	1604
	114	305	335	373	418	477	534	586	648	707	760	837	917	977	1090	1199	1305	1406	1499	1614	1739
	120	322	355	392	444	499	568	617	693	750	834	913	964	1062	1177	1295	1374	1490	1606	1731	1856
	126	336	376	412	464	518	594	629	715	792	860	938	994	1098	1211	1320	1410	1552	1648	1812	1902
	132	351	392	435	494	539	615	665	739	838	891	962	1018	1134	1243	1347	1447	1584	1698	1846	1938
	138	363	406	453	518	561	636	698	777	878	926	1001	1055	1160	1271	1380	1486	1620	1730	1910	2000
	144	382	423	473	540	584	661	733	809	920	964	1038	1086	1192	1300	1407	1517	1640	1774	1955	2044
	Dlx. Val.	24	26	30	32	36	40	43	47	51	56	60	65	71	80	91	99	110	119	128	139

See Mariak Mini Blind Color Listing for available colors.

Includes Double Slat Valance.

For Aluminum blinds, valance returns are not standard for inside mount.

Blinds less than 102" in width shipped via FedEx: \$7.00 / unit Net Freight Charge

Blinds 102-1/8" to 125" in width shipped via FedEx: \$75.00 / unit Net Freight Charge

Blinds 125-1/8" or greater in width shipped via Common Carrier: \$ 150.00 per shipment

Common Mini-Blind Surcharges Options:	
Undersized Blind (12" and less in width)	\$20.00 net charge
Oversized Blind (greater than 120" in length)	\$10.00 net charge
Side Tile Cutout	\$7.00 net charge per side
Center Tile Cutout	\$40.00 net charge
2-on-1 Headrail Blind	\$20.00 net charge
3-on-1 Headrail Blind	\$30.00 net charge
Slanted Top Blind	\$125.00 net charge
Side Definition Channels =	\$2.00 / ft. net charge
Sill Definition Channels	\$1.00 / ft. net charge
Multi-Color Blind	\$15.00 Net for first extra color \$6.00 Net for additional color

Micro Mini Blind Colors:
005 - White Gloss
011 - Beige
026 - Smokey Grey
042 - Matte White
062 - Char Brown
065 - Almost Gloss White
106 - Garnet Red
112 - Alabaster
121 - Brushed Aluminum
121 - Angel Food
233 - Black Satin
386 - Snow Cap
544 - True White
724 - Almond

All prices are in U.S. Dollars and do not include freight, duties or taxes for shipment to Alaska, Hawaii or Canada. GST and VAT are not included. Other restrictions and surcharges may apply. See Freight Policy for complete details. Manufacturing specifications, options, surcharges and pricing are subject to change without notice. Visit [www.wymanempire.com](http://www.wymanempire.com) for the most recent downloads.



# 1" Aluminum Mini-Blinds

**Suggested Retail Price Table 3**

Type of Mini-Blind	Headrail	Gauge	Colors
Estate	1 1/2" x 1"	8	Standard
Estate	1 1/2" x 1"	8	Metallic (Add 15% to Grid)
Residential	1" x 1"	8	Metallic (Add 15% to Grid)
Professional	1 1/2" x 1"	6	Metallic
Levolor Riviera	1 1/2" x 1"	8	Standard
Dynasty Commercial	1 1/2" x 1"	6	Metallic
Dynasty Architect	1 1/2" x 1"	8	Standard
Dynasty Architect	1 1/2" x 1"	8	Metallic (Add 15% to Grid)

## Width

		23	26	29	32	36	40	44	48	52	57	62	67	72	82	92	102	112	122	132	142
Length	42	140	151	162	178	193	216	229	244	260	296	317	332	355	399	436	498	537	589	623	675
	48	151	169	182	193	212	234	255	274	293	321	346	364	385	436	477	525	586	643	693	727
	54	166	182	201	213	234	257	277	298	314	352	375	399	423	480	525	563	606	666	727	787
	60	179	201	213	234	255	276	296	312	340	381	415	442	466	518	565	616	675	753	797	857
	66	191	213	234	251	273	294	314	343	364	412	442	468	488	559	607	682	762	804	848	926
	72	205	227	247	271	281	312	342	367	408	444	477	500	537	603	663	754	814	879	950	1009
	78	216	239	263	278	308	336	364	399	439	481	505	538	593	653	727	798	865	920	1003	1081
	84	227	257	280	308	338	367	397	434	478	518	546	594	650	724	796	867	938	1012	1074	1161
	90	245	274	303	332	366	399	434	477	518	551	589	647	712	782	862	926	1005	1083	1175	1281
	96	253	281	312	348	393	434	477	519	555	606	659	708	776	851	931	1004	1091	1183	1274	1372
	102	270	293	331	372	420	461	515	555	607	660	711	779	836	926	1005	1087	1194	1263	1349	1453
	108	277	311	343	389	442	494	551	604	663	712	782	845	915	1004	1100	1191	1269	1362	1453	1556
	114	296	324	361	405	462	515	568	628	686	736	811	887	947	1056	1162	1263	1364	1453	1564	1688
	120	311	343	381	430	481	551	597	672	727	808	884	934	1031	1142	1257	1333	1445	1557	1678	1799
	126	324	357	397	449	505	575	621	708	764	854	920	993	1087	1211	1325	1402	1514	1636	1793	1890
	132	340	370	413	464	524	601	649	736	795	901	967	1049	1147	1274	1395	1474	1583	1710	1883	1985
	138	352	386	433	480	544	621	669	764	824	942	1008	1102	1208	1346	1466	1541	1670	1784	1973	2086
	144	364	401	450	500	563	649	692	793	851	981	1051	1153	1262	1412	1546	1615	1733	1859	2077	2192
	Dlx. Val.	24	26	30	32	36	40	43	47	51	56	60	65	71	80	91	99	110	119	128	139

See Mariak Mini Blind Color Listing for available colors.

Includes Double Slat Valance.

For Aluminum blinds, valance returns are not standard for inside mount.

Blinds less than 102" in width shipped via FedEx: \$7.00 / unit Net Freight Charge

Blinds 102-1/8" to 125" in width shipped via FedEx: \$75.00 / unit Net Freight Charge

Blinds 125-1/8" or greater in width shipped via Common Carrier: \$150.00 per shipment

### Common Mini-Blind Surcharges Options:

Classic Ladder (19.5mm - 15.7 slats/ft.)	5%
Privacy Ladder (18.0mm - 16.9 slats/ft.)	10%
Undersized Blind (12" and less in width)	\$20.00 net charge
Oversized Blind (greater than 120" in length)	\$10.00 net charge
Side Tile Cutout	\$7.00 net charge per side
Center Tile Cutout	\$40.00 net charge
2-on-1 Headrail Blind	\$20.00 net charge
3-on-1 Headrail Blind	\$30.00 net charge
Slanted Top Blind	\$125.00 net charge
Multi-Color Blind	\$15.00 Net for first extra color \$6.00 Net for additional color

### Levolor Mini-Blind Surcharge Options:

Sheerview Perforated Slat Blinds	30%
Metallic Slat Blinds	10%
Pearlized Slat Blinds	10%
Native Stone Slat Blinds	10%
Top-Lock Cord Lock	\$1.00 net charge
Ring Pull	\$1.00 net charge
Cord Tilter	\$5.00 net charge
Universal Ring Tilter	\$13.00 net charge
Restrictive Wand Tilter	\$4.00 net charge
<i>(Available as: 0 -70 , 0 -90 , 45 -45 , 60 -60 , &amp; 75 -75 )</i>	

All prices are in U.S. Dollars and do not include freight, duties or taxes for shipment to Alaska, Hawaii or Canada. GST and VAT are not included. Other restrictions and surcharges may apply. See Freight Policy for complete details.

Manufacturing specifications, options, surcharges and pricing are subject to change without notice.

Visit [www.wymanempire.com](http://www.wymanempire.com) for the most recent downloads.



## 1" Aluminum Mini-Blinds

**Suggested Retail Price Table 4**

Type of Mini-Blind	Headrail	Gauge	Colors
Residential	1" x 1"	8	Perforated
Estate	1 ½" x 1"	8	Perforated
Dynasty Architect	1 ½" x 1"	8	Perforated

### Width

Length	Width																			
	23	26	29	32	36	40	44	48	52	57	62	67	72	82	92	102	112	122	132	142
42	191	208	223	245	269	299	317	335	359	407	435	458	489	550	602	686	740	812	860	931
48	208	232	251	269	293	323	352	378	401	442	476	502	531	602	658	724	806	887	957	1003
54	228	251	275	295	323	354	383	411	432	485	515	550	583	662	724	776	836	920	1003	1085
60	247	275	295	323	352	381	407	430	468	524	574	609	643	714	778	847	931	1038	1099	1183
66	263	295	323	347	376	405	432	474	502	568	609	645	673	772	839	938	1051	1109	1169	1278
72	281	311	340	372	389	430	472	507	561	611	658	688	740	830	915	1040	1123	1213	1310	1392
78	299	330	363	385	426	464	502	550	604	664	694	742	817	900	1003	1101	1191	1266	1382	1492
84	311	354	387	426	466	507	546	597	660	714	754	819	898	997	1097	1195	1293	1396	1480	1600
90	337	378	419	458	505	550	597	658	714	759	812	893	981	1079	1187	1278	1386	1494	1621	1765
96	349	389	430	480	542	597	658	716	764	836	907	974	1070	1174	1284	1384	1503	1630	1757	1891
102	370	401	456	513	578	636	712	764	839	909	979	1075	1153	1278	1386	1500	1647	1741	1861	2004
108	383	428	474	537	609	682	759	834	915	981	1079	1165	1260	1384	1516	1643	1750	1878	2004	2146
114	407	447	498	557	638	712	783	867	946	1014	1117	1221	1306	1455	1602	1741	1881	2004	2156	2326
120	428	474	524	593	664	759	824	926	1003	1114	1217	1288	1420	1576	1733	1838	1993	2148	2314	2481
126	445	498	551	621	692	801	865	973	1063	1175	1289	1372	1504	1658	1871	1942	2102	2264	2427	2610
132	462	522	577	649	720	844	904	1022	1125	1236	1362	1458	1588	1742	1964	2044	2210	2379	2536	2729
138	479	545	603	680	750	887	945	1069	1186	1297	1435	1541	1671	1827	2058	2147	2320	2495	2654	2862
144	497	570	629	708	778	928	985	1116	1245	1358	1506	1625	1754	1910	2150	2252	2429	2611	2765	2982
Dlx. Val.	24	26	30	32	36	40	43	47	51	56	60	65	71	80	91	99	110	119	128	139

See Mariak Mini Blind Color Listing for available colors.

Includes Double Slat Valance.

For Aluminum blinds, valance returns are not standard for inside mount.

Blinds less than 102" in width shipped via FedEx: \$7.00 / unit Net Freight Charge

Blinds 102-1/8" to 125" in width shipped via FedEx: \$75.00 / unit Net Freight Charge

Blinds 125-1/8" or greater in width shipped via Common Carrier: \$ 150.00 per shipment

Common Mini-Blind Surcharges Options:	
Classic Ladder (19.5mm - 15.7 slats/ft.)	5%
Privacy Ladder (18.0mm - 16.9 slats/ft.)	10%
Undersized Blind (12" and less in width)	\$20.00 net charge
Oversized Blind (greater than 120" in length)	\$10.00 net charge
Side Tile Cutout	\$7.00 net charge per side
Center Tile Cutout	\$40.00 net charge
2-on-1 Headrail Blind	\$20.00 net charge
3-on-1 Headrail Blind	\$30.00 net charge
Slanted Top Blind	\$125.00 net charge
Multi-Color Blind	\$15.00 Net for first extra color \$6.00 Net for additional color

Levolor Mini-Blind Surcharge Options:	
Sheerview Perforated Slat Blinds	30%
Metallic Slat Blinds	10%
Pearlized Slat Blinds	10%
Native Stone Slat Blinds	10%
Top-Lock Cord Lock	\$1.00 net charge
Ring Pull	\$1.00 net charge
Cord Tilter	\$5.00 net charge
Universal Ring Tilter	\$13.00 net charge
Restrictive Wand Tilter	\$4.00 net charge
(Available as: 0 -70 , 0 -90 , 45 -45 , 60 -60 , & 75 -75 )	

All prices are in U.S. Dollars and do not include freight, duties or taxes for shipment to Alaska, Hawaii or Canada. GST and VAT are not included. Other restrictions and surcharges may apply. See Freight Policy for complete details. Manufacturing specifications, options, surcharges and pricing are subject to change without notice. Visit [www.wymanempire.com](http://www.wymanempire.com) for the most recent downloads.

# 1" Aluminum Mini-Blinds - Elite 6 Gauge

## Suggested Retail Price Table 2

Type of Mini-Blind	Headrail																			Gauge	Colors																		
Elite Integrated Contoured Headrail	1 1/2" x 1"																			6	Standard																		
																				Width																			
																				23	26	29	32	36	40	44	48	52	57	62	67	72	82	92	102	112	122	132	142
42	123	133	142	155	171	191	201	212	227	258	275	293	309	350	382	433	470	514	545	589																			
48	133	148	160	171	186	204	224	239	255	281	302	320	335	382	416	457	512	561	606	635																			
54	144	160	175	187	204	225	244	260	274	306	327	349	370	420	457	491	530	583	635	687																			
60	156	175	187	204	224	241	258	273	297	331	363	385	406	453	494	536	589	658	696	750																			
66	168	187	204	222	238	256	274	301	320	360	385	408	427	488	532	594	664	704	741	809																			
72	179	199	216	236	247	273	300	323	355	387	416	435	470	526	580	659	712	766	829	880																			
78	191	210	231	245	271	295	320	350	383	422	440	472	517	570	635	696	754	803	876	945																			
84	199	225	246	271	296	323	348	380	419	453	478	519	567	633	693	758	818	884	936	1013																			
90	213	239	264	293	321	350	380	416	453	481	514	565	622	684	752	809	878	946	1026	1117																			
96	223	247	273	304	344	380	416	454	485	530	575	616	679	743	813	877	953	1030	1112	1196																			
102	234	255	290	326	366	403	452	485	532	577	621	682	730	809	878	950	1044	1104	1178	1268																			
108	244	272	301	341	385	431	481	527	580	622	684	737	798	877	958	1039	1108	1188	1268	1358																			
114	258	283	316	353	404	452	497	549	598	643	708	775	827	923	1014	1104	1189	1268	1366	1472																			
120	272	301	331	375	422	481	523	587	635	706	772	816	899	996	1096	1163	1261	1359	1465	1571																			
126	284	318	349	394	439	503	532	605	670	727	794	841	929	1025	1117	1193	1313	1394	1533	1609																			
132	297	331	369	419	456	520	563	626	709	753	815	862	959	1052	1140	1225	1341	1437	1563	1641																			
138	307	344	383	439	475	538	591	658	743	784	847	893	981	1076	1167	1257	1370	1464	1617	1693																			
144	324	358	400	457	494	559	620	684	778	816	878	920	1009	1101	1190	1284	1388	1501	1654	1730																			

See Mariak Mini Blind Color Listing for available colors.

Includes Double Slat Valance.

For Aluminum blinds, valance returns are not standard for inside mount.

Common Mini-Blind Surcharges Options:	
Classic Ladder (19.5mm - 15.7 slats/ft.)	5%
Privacy Ladder (18.0mm - 16.9 slats/ft.)	10%
Undersized Blind (12" and less in width)	\$20.00 net charge
Oversized Blind (greater than 120" in length)	\$10.00 net charge
Side Tile Cutout	\$7.00 net charge per side
Center Tile Cutout	\$40.00 net charge
2-on-1 Headrail Blind	\$20.00 net charge
3-on-1 Headrail Blind	\$30.00 net charge
Slanted Top Blind	\$125.00 net charge
Multi-Color Blind	\$15.00 Net for first extra color \$6.00 Net for additional color

Elite Mini Blind Colors:
005 - White Gloss
011 - Beige
031 - Fawn
062 - Char Brown
065 - Almost Gloss White
089 - True Blue
104 - Biscuit
106 - Garnet Red
112 - Alabaster
121 - Brushed Aluminum
205 - White Satin
228 - Sand
233 - Black Satin
386 - Snow Cap
724 - Almond

Blinds less than 102" in width shipped via FedEx: \$7.00 / unit Net Freight Charge

Blinds 102-1/8" to 125" in width shipped via FedEx: \$75.00 / unit Net Freight Charge

Blinds 125-1/8" or greater in width shipped via Common Carrier: \$150.00 per shipment

All prices are in U.S. Dollars and do not include freight, duties or taxes for shipment to Alaska, Hawaii or Canada. GST and VAT are not included. Other restrictions and surcharges may apply. See Freight Policy for complete details.

Manufacturing specifications, options, surcharges and pricing are subject to change without notice.

Visit [www.wymanempire.com](http://www.wymanempire.com) for the most recent downloads.

# 1" Aluminum Mini-Blinds - Elite 8 Gauge

**Suggested Retail Price Table 3**

Type of Mini-Blind	Headrail	Gauge	Colors
Elite Integrated Contoured Headrail	1 1/2" x 1"	8	Standard

		Width																			
		23	26	29	32	36	40	44	48	52	57	62	67	72	82	92	102	112	122	132	142
Length	42	154	167	178	197	213	238	252	269	286	326	349	366	392	439	480	548	591	648	686	743
	48	167	187	201	213	233	258	281	302	323	353	381	401	424	480	525	578	645	708	763	800
	54	182	201	222	234	258	283	305	328	346	387	412	439	465	529	578	620	667	733	800	866
	60	198	222	234	258	281	304	326	344	374	420	457	487	513	570	622	679	743	829	877	944
	66	211	234	258	277	301	324	346	377	401	454	487	515	537	615	668	750	839	886	933	1019
	72	226	250	272	298	309	344	376	404	450	488	525	550	591	663	730	830	896	968	1046	1110
	78	238	263	290	306	340	371	401	439	484	530	556	592	653	718	800	878	952	1012	1104	1189
	84	250	283	308	340	373	404	437	478	526	570	602	655	716	797	876	954	1032	1114	1182	1278
	90	270	302	334	366	403	439	478	525	570	606	648	713	784	861	948	1019	1106	1192	1292	1410
	96	279	309	344	383	432	478	525	571	611	667	725	778	854	936	1025	1105	1201	1302	1402	1510
	102	297	323	364	409	462	508	567	611	668	726	783	857	920	1019	1106	1196	1314	1390	1485	1599
	108	305	343	377	429	487	544	606	664	730	784	861	930	1006	1105	1210	1311	1396	1498	1599	1712
	114	326	357	398	446	509	567	626	691	754	810	892	976	1042	1162	1279	1390	1501	1599	1721	1858
	120	343	377	420	474	530	606	658	740	800	889	973	1028	1135	1257	1383	1467	1590	1713	1846	1979
	126	357	394	437	494	556	633	684	778	841	941	1012	1092	1196	1333	1459	1543	1666	1801	1973	2079
	132	374	407	455	511	577	661	715	810	875	992	1063	1154	1262	1402	1536	1622	1742	1882	2071	2183
138	387	426	477	529	600	684	737	841	907	1036	1109	1212	1330	1481	1612	1696	1837	1963	2171	2295	
144	401	441	496	550	620	715	762	873	936	1080	1156	1268	1389	1553	1701	1777	1907	2045	2285	2411	

Includes Double Slat Valance.

For Aluminum blinds, valance returns are not standard for inside mount.

Common Mini-Blind Surcharges Options:	
Classic Ladder (19.5mm - 15.7 slats/ft.)	5%
Privacy Ladder (18.0mm - 16.9 slats/ft.)	10%
Undersized Blind (12" and less in width)	\$20.00 net charge
Oversized Blind (greater than 120" in length)	\$10.00 net charge
Side Tile Cutout	\$7.00 net charge per side
Center Tile Cutout	\$40.00 net charge
2-on-1 Headrail Blind	\$20.00 net charge
3-on-1 Headrail Blind	\$30.00 net charge
Slanted Top Blind	\$125.00 net charge
Multi-Color Blind	\$15.00 Net for first extra color \$6.00 Net for additional color

Elite Mini Blind Colors:
005 - White Gloss
011 - Beige
031 - Fawn
062 - Char Brown
065 - Almost Gloss White
089 - True Blue
104 - Biscuit
106 - Garnet Red
112 - Alabaster
121 - Brushed Aluminum
205 - White Satin
228 - Sand
233 - Black Satin
386 - Snow Cap
724 - Almond

Blinds less than 102" in width shipped via FedEx: \$7.00 / unit Net Freight Charge

Blinds 102-1/8" to 125" in width shipped via FedEx: \$75.00 / unit Net Freight Charge

Blinds 125-1/8" or greater in width shipped via Common Carrier: \$ 150.00 per shipment

All prices are in U.S. Dollars and do not include freight, duties or taxes for shipment to Alaska, Hawaii or Canada. GST and VAT are not included. Other restrictions and surcharges may apply. See Freight Policy for complete details.

Manufacturing specifications, options, surcharges and pricing are subject to change without notice.

Visit [www.wymanempire.com](http://www.wymanempire.com) for the most recent downloads.







Wyman Empire

Page \_\_\_\_\_ of \_\_\_\_\_

2647 Mercantile Dr Suite B, Rancho Cordova, CA 95742  
Customer Service Fax: (916) 381-5753 / email: wymanshutter@gmail.com  
PH: (800) 326-2555 / Online: Wymanempire.com

### Purchase Order 1" Mini-Blinds

Account #: \_\_\_\_\_ Company Name: \_\_\_\_\_ Contact: \_\_\_\_\_ Purchase Order #: \_\_\_\_\_

Ship To Address: \_\_\_\_\_ Phone: \_\_\_\_\_ Sidemark: \_\_\_\_\_

City: \_\_\_\_\_ State: \_\_\_\_\_ Zip: \_\_\_\_\_ Fax: \_\_\_\_\_ Date Required: \_\_\_\_\_

EMAIL: \_\_\_\_\_ Ship Via (circle one): FedEX Common Carrier Mariak Truck Will Call

Line	Sidemark	Qty	Mount <sup>1</sup>	Width	Length	Headrail Type <sup>2</sup>	Slat Type <sup>3</sup>	Color <sup>4</sup>	Ladder Types <sup>5</sup>	Tilt Types <sup>6</sup>	Tilt <sup>7</sup>	Lift <sup>8</sup>	Valance <sup>9</sup>	Hold Downs	Spacer Block
1															
2															
3															
4															
5															
6															
7															
8															
9															
10															

**Purchase Order Footnotes:**

<b>1. Mount:</b>	(IM) - Inside Mount (OM) - Outside Mount	<b>6. Tilt Type:</b>	(W) - Wand Tilt (C) - Cord Tilt (Surchargeable - Available with Riviera & Dynasty mini-blinds only) (M) - Motorized Tilt (Surchargeable - Available with 1 ½" headrail only)
<b>2. Headrail Type:</b>	(1") - 1" x 1" Mariak Brand Headrail (1/2") Micro Mini (1 ½") - 1 ½" x 1" Mariak Brand Headrail Blind (ELT) - Contoured Integrated Headrail (RIV) - 1 ½" x 1" Levolor Riviera Brand Headrail (DYN) - 1 ½" x 1" Mariak Dynasty Headrail	<b>7. Tilt Control:</b>	(L) - Left Side Tilt (Standard) (R) - Right Side Tilt (C) - Center Tilt (Required for blinds less than 11" in width)
<b>3. Slat Type:</b>	(6) - 6 Gauge Slat Thickness (8) - 8 Gauge Slat Thickness	<b>8. Lift Cord:</b>	(R) - Right Side Lift Cord (Standard) (L) - Left Side Lift Cord
<b>4. Color:</b>	Specify the color # and name.	<b>9. Valance Type:</b>	(SNG) - Single Slat Valance (DBL) - Double Slat Valance (DLX) - Deluxe Double Slat inserted in Valance Channel
<b>5. Ladder Type:</b>	(Contract) - 21.5mm / 14.2 Slats/Ft. ( Standard) (Classic) - 19.5mm / 15.7 Slats/Ft. (Surcharge) (Privacy) - 18.0mm / 16.9 Slats/Ft. ( Surcharge) (Builder) - 22.5mm / 13.5 Slats/Ft. (By Quote Only)		



